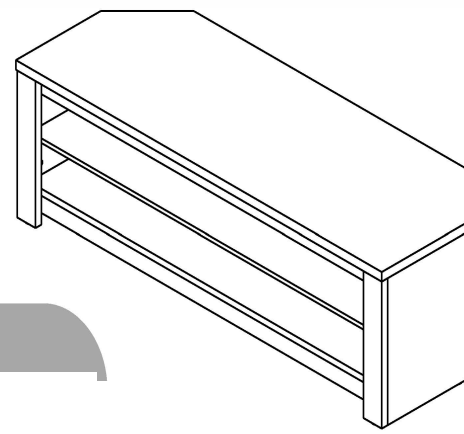


# TV STAND



## ASSEMBLY INSTRUCTIONS

### Notice



Read this assembly manual carefully and verify that you have all the parts listed before you begin. Keep this manual for future reference. **If you experience any of the following ie: Missing parts, damaged parts, difficulty with assembly then please contact us**



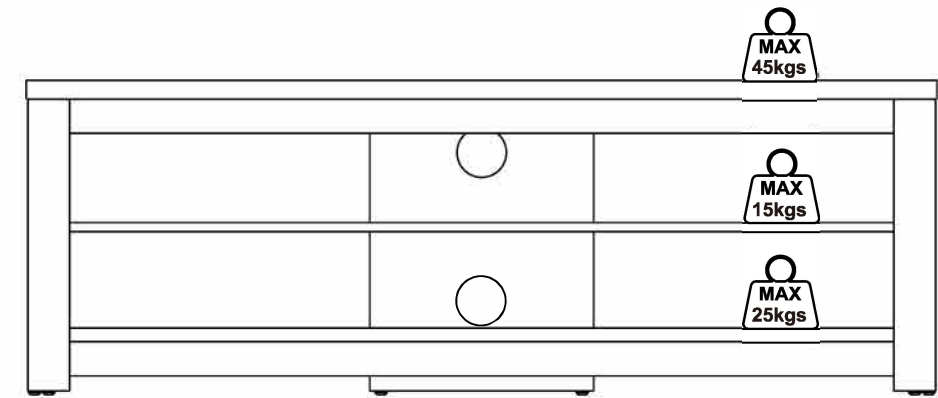
Protect finishes by placing furniture pieces on a soft carpeted surface during assembly.



Do not place very hot/cold objects on top of any surface. Always use a coaster or mat. Never leave liquids on the surface: Clean immediately with a mild soap and a damp cloth. Never use scouring powder based cleanser.



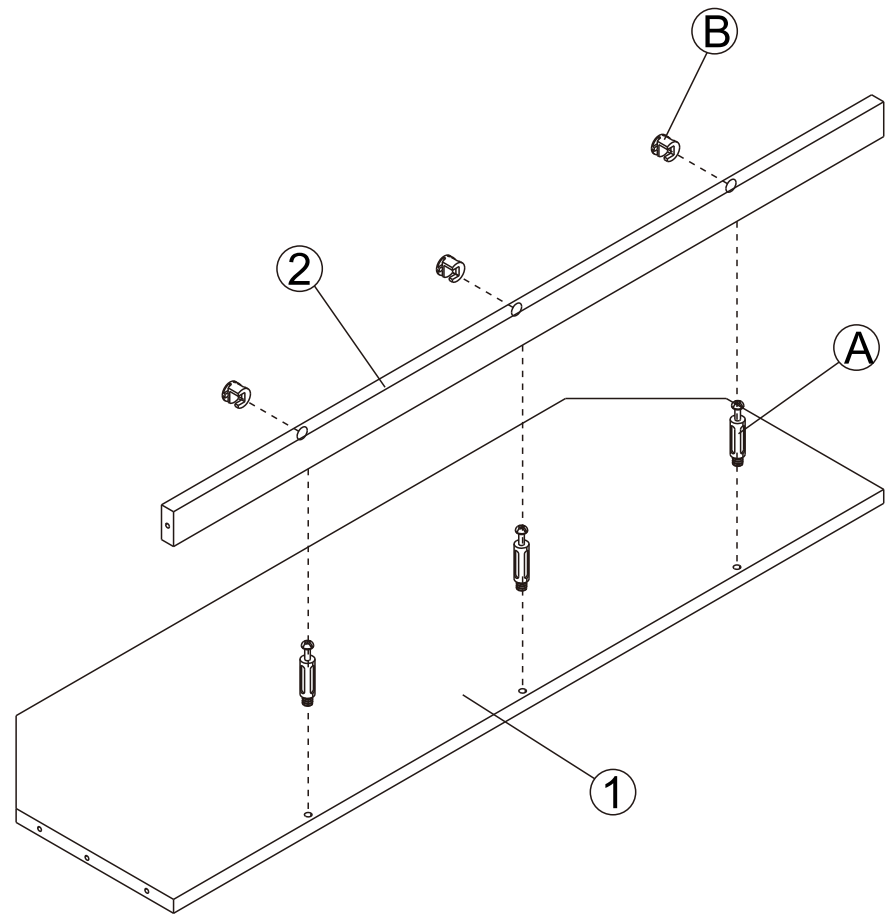
**DO NOT ASSUME CHILD SAFETY WITH ANY PIECE OF FURNITURE!**  
Do not allow children to climb on furniture. Improper use can cause death or serious injury. If you are placing a TV on top use safety straps on your TV to prevent the risk of a toppling television. Furniture straps fastened to a wall can also be used to help ensure safety.  
Damaged parts or furniture put together incorrectly can lead to serious injuries. Make sure to follow instructions correctly.



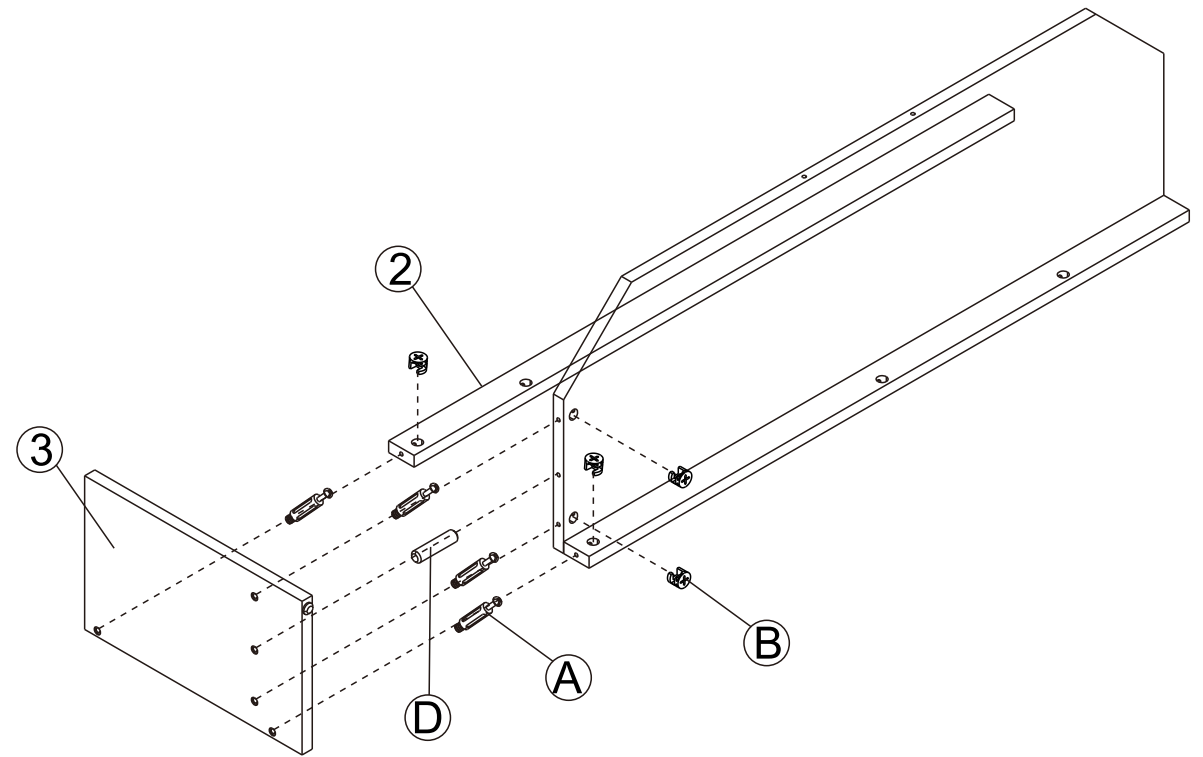
### Parts List

① x1 	② x2 	③ x1 	④ x1 
⑤ x1 	⑥ x1 	⑦ x1 	⑧ x1 
⑨ x1 	A x24 	B x24 	C x2 
D x2 	E x6 	F x1 	G x1 

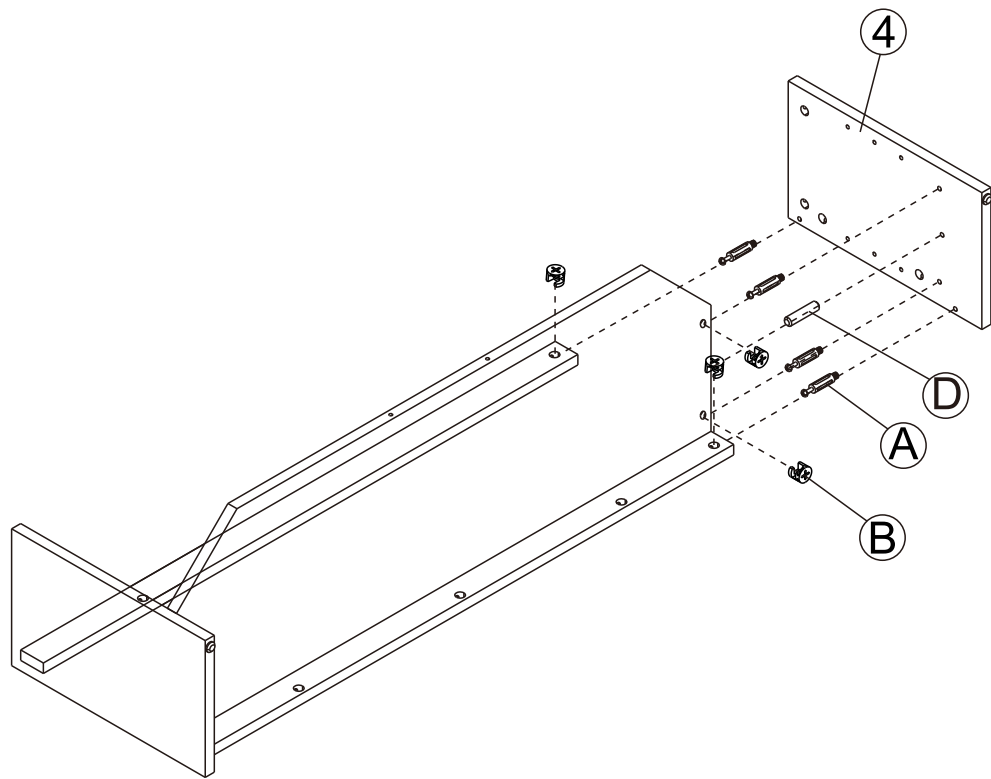
1



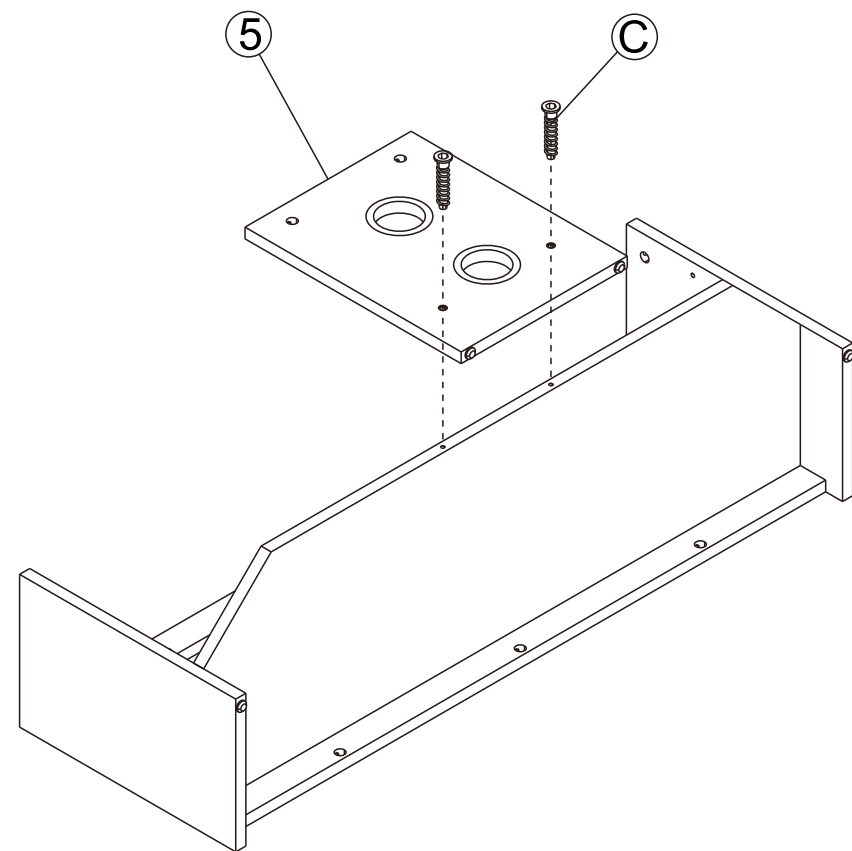
2



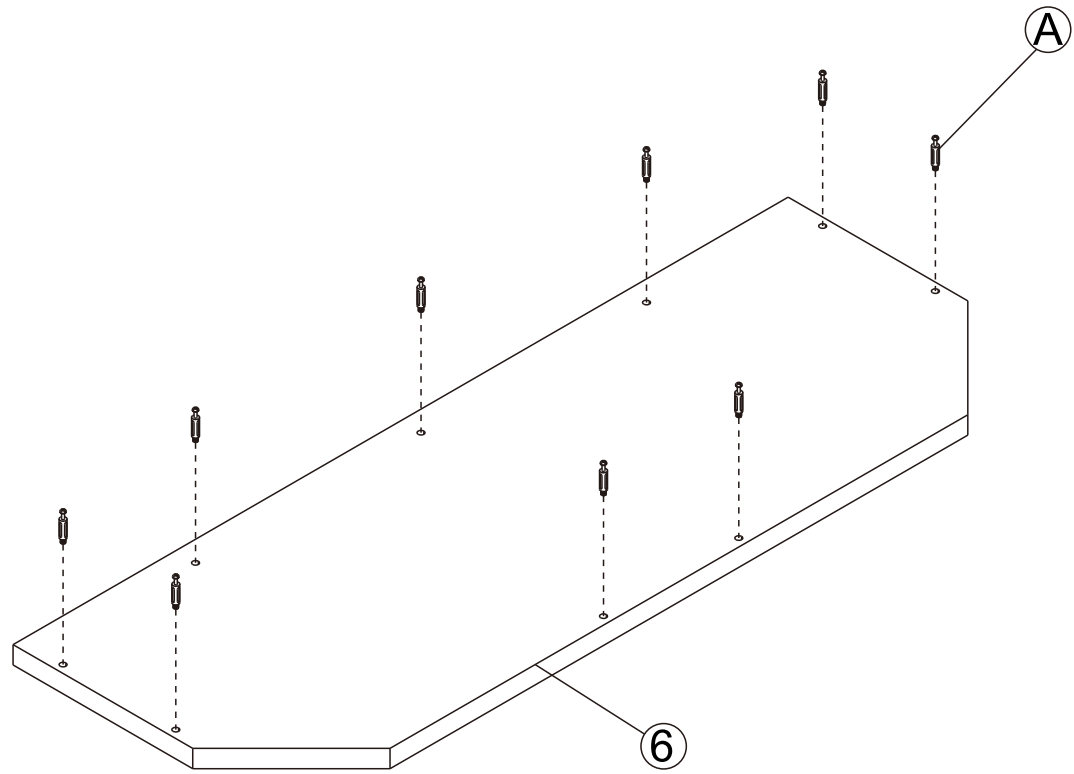
3



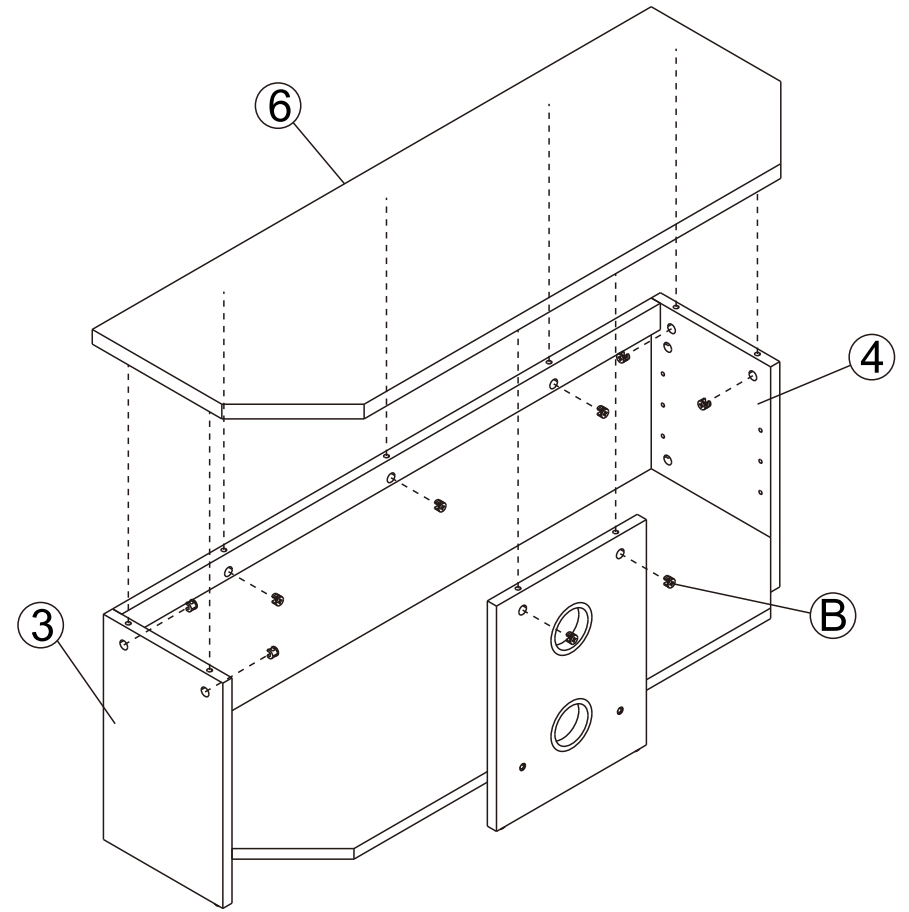
4



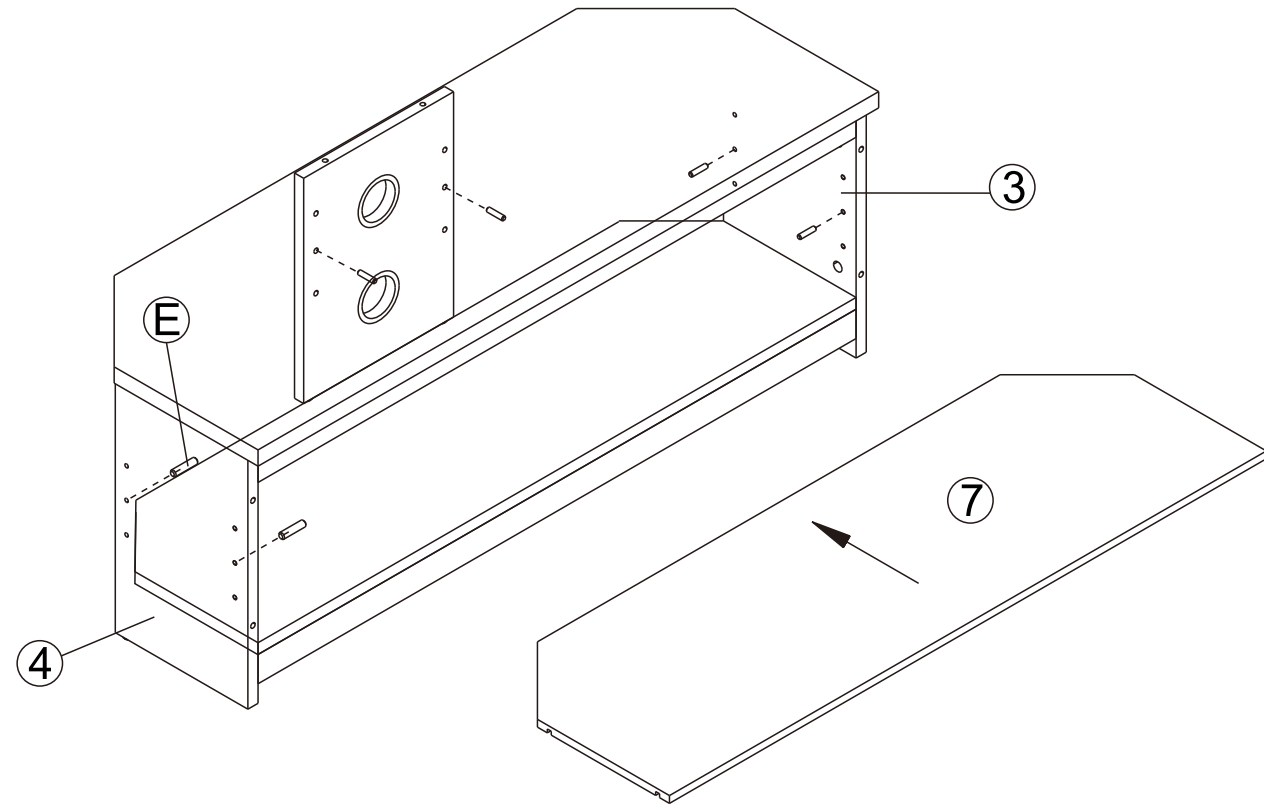
5



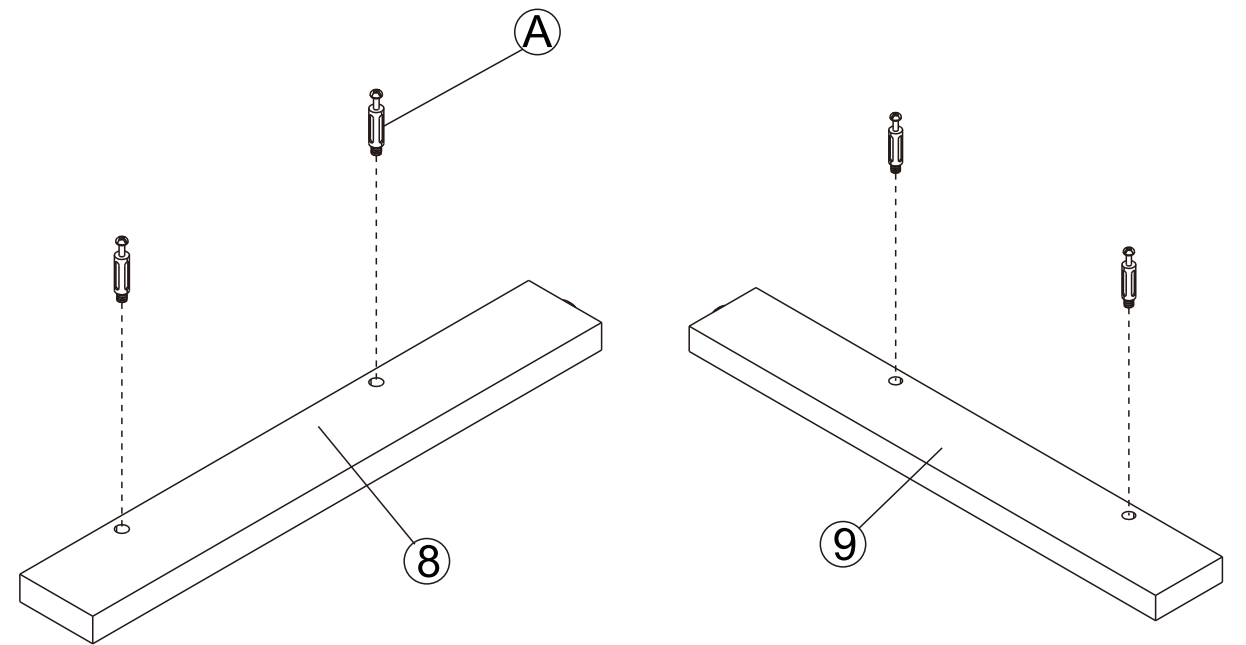
6



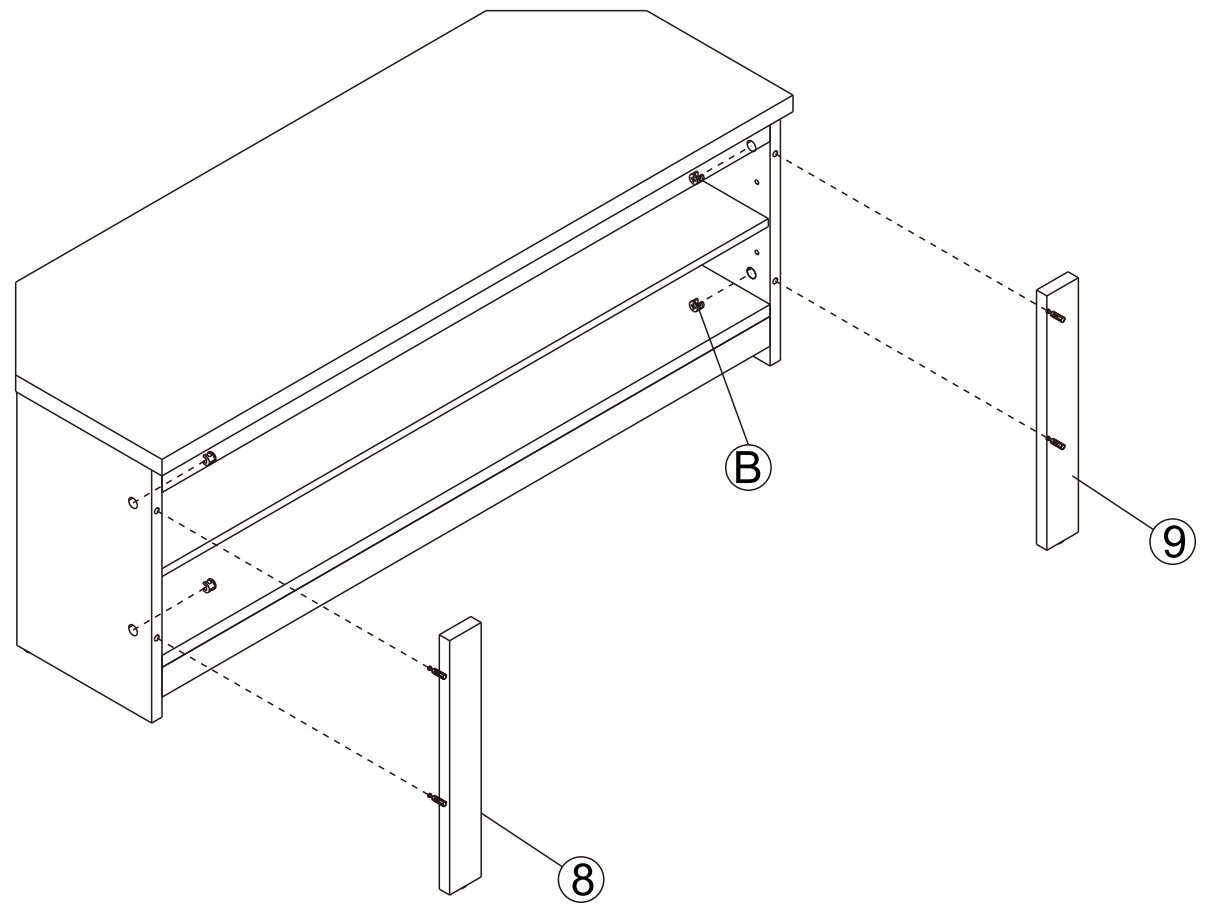
7



8



9



10

