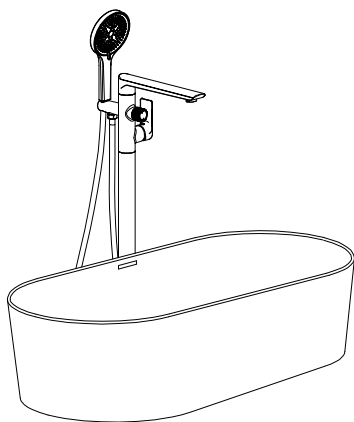


Instruction for installation and use of Floor bathtub faucet

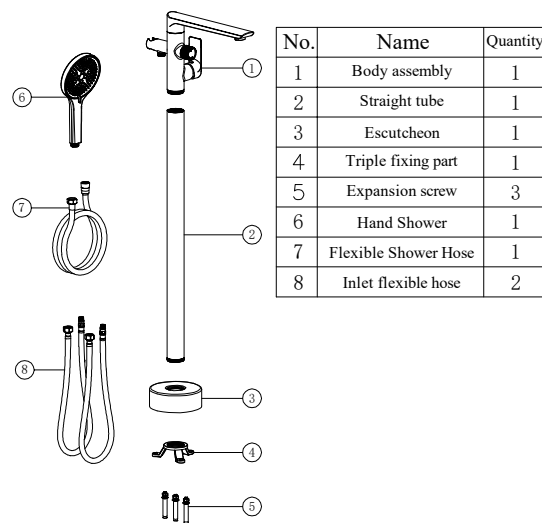


The product is subject to material object
Thank you for purchasing this product. Please read this instruction carefully before using it.

Packing list

When you open the product package, please count the accessories with the packing list. If there is a shortage, please contact the dealer soon.

The following figure and table are for reference only. (Note: The product appearance may be different)



Installation environment

1. The size of the purchased faucet matches the size of the faucet mounting hole.

2. Inlet water pressure requirement: $0.05\text{MPa} \leq \text{inlet pressure} \leq 0.5\text{MPa}$. To ensure the good use of the faucet, please keep the water supply pressure of cold and hot water balanced.

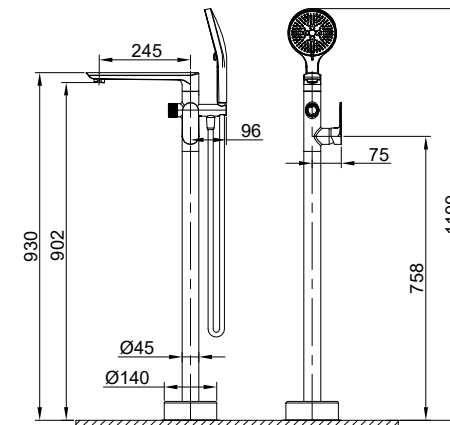
3. Water temperature requirements: the cold water temperature is $39.2^{\circ}\text{F}-84.2^{\circ}\text{F}$, the hot water temperature is $131^{\circ}\text{F}-185^{\circ}\text{F}$, and the recommended normal service temperature is $131^{\circ}\text{F}-149^{\circ}\text{F}$ (faucet products are suitable for hot and cold water supply pipes in buildings, and the medium temperature is not more than 185°F); Cannot be used in other fluid environments except water or for other purposes; Please note that the product or parts may be damaged if the environmental temperature of the product is too low (below 39.2°F) or too high (above 185°F).

4. When installing the faucet, be sure to notice the hot and cold water inlet marks of the faucet (red indicates hot water and blue indicates cold water).

5. If customers go out for a long time or don't use the faucet for a long time, please close the main valve of the faucet first and turn on the faucet switch to release the pressure and accumulated water in the faucet.

Installation size

Before installation, refer to the product installation dimension drawing to determine the installation position, and embed cold and hot water pipes in the wall (the thread and center distance must conform to the product size); Wash the pipeline and the position where the faucet is installed with a washing tool to remove sediment, copper scraps, etc.



Installation items and methods

1. The faucet body has been tested and debugged before leaving the factory. Please do not disassemble it by yourself!

2. Before installing the faucet, please be sure to confirm whether the water inlet pipeline and angle valve are correctly installed; The impurities and sludge in the embedded water pipe have been removed to avoid blocking the faucet and affecting the water outlet function.

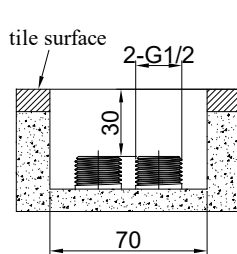
3. After installation, please check whether the joints are tightly connected and whether the pipeline leaks.

4. When installing and using the faucet, please use normal torque to prevent the handle and bent foot from breaking.

5. When using, please turn on cold water first, and then turn on hot water to adjust the temperature, so as not to burn.

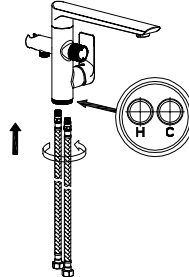
6. Users must cover and protect the electroplating products such as faucets when installing them. If there is cement, lime slurry and sand dripping on the surface, it must be cleaned within 30 minutes.

①

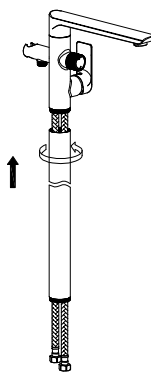


②

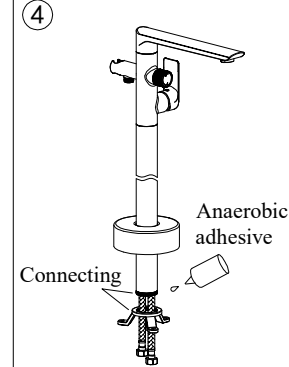
The red and blue water inlet pipes are connected with the cold and hot water inlets.



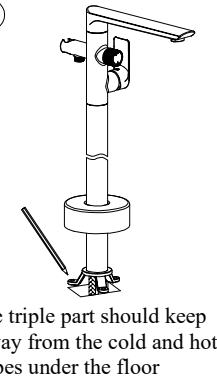
③



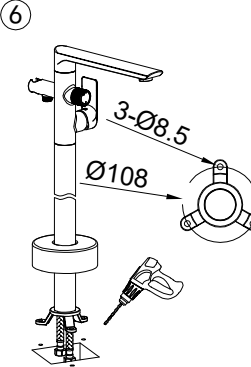
④



⑤

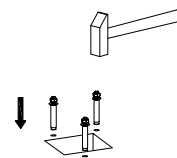


⑥

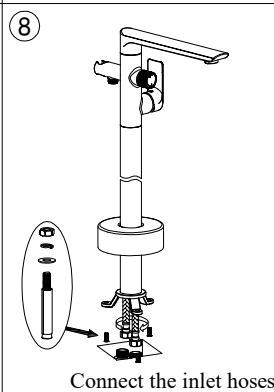


the triple part should keep away from the cold and hot pipes under the floor

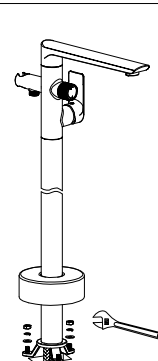
⑦



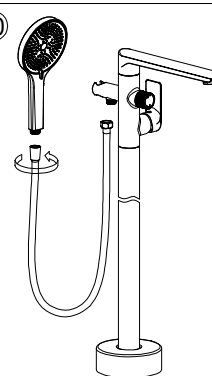
⑧



⑨



⑩



⑪

