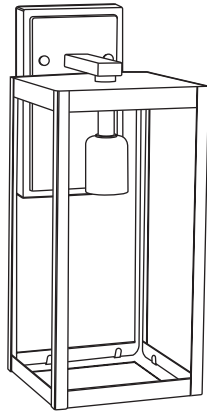
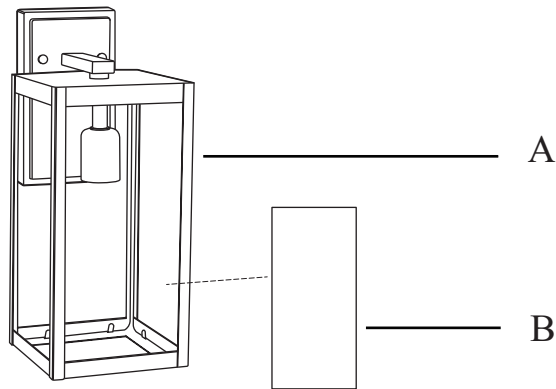


Instruction Manual

Outdoor Wall Sconce



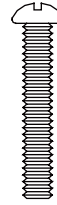
PACKAGE CONTENTS



PART	DESCRIPTION	QUANTITY
A	Fixture	1
B	Glass	4

HARDWARE CONTENTS(shown actual size)

AA



Long
monting x 2
screw

BB



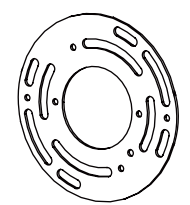
Wire nut x 3

CC



Long
monting x 2
screw

DD



Crossbar
(Not actual size) x 1

! SAFETY INFORMATION

Please read and understand this entire manual before attempting to assemble, operate or install the product.

! WARNING

- TURN OFF ELECTRICITY at main fuse box (or circuit breaker box) before beginning installation by removing fuse (or switching off circuit breaker).
- MINIMUM 90°C SUPPLY CONDUCTORS.

PREPARATION

Before beginning assembly of product, make sure all parts are present. Compare parts with package contents list and hardware contents list. If any part is missing or damaged, do not attempt to assemble the product.

Estimated Assembly Times: 25 minutes

Tools Required for Assembly (not included): Flathead screwdriver , Phillips screwdriver, Pliers, Electrical tape, Wire cutters, Safety glasses.

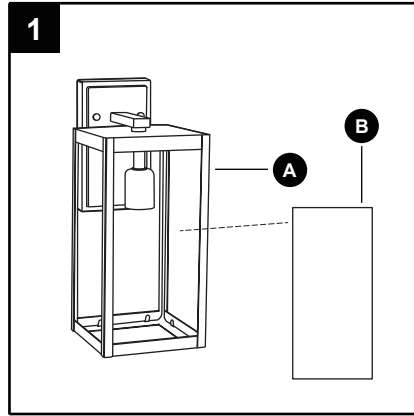
Helpful Tools (not included): Wire strippers, Step ladder.

ASSEMBLY INSTRUCTIONS

1. As shown in the figure on the right, attach glasses into the fixture body.

Hardware Used

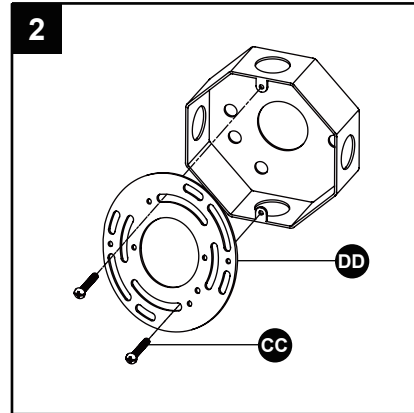
- A** Fixture x 1
- B** Glass x 4



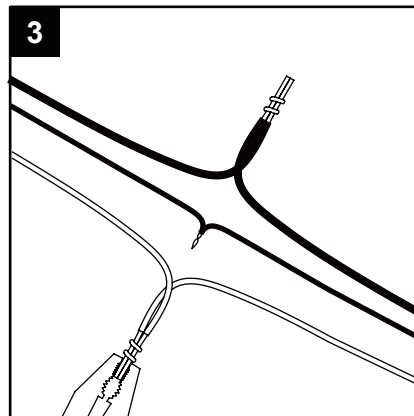
2. Attach the crossbar (DD) to the outlet box (not included) with the long mounting screws (CC).

Hardware Used

- CC** Long mounting screw x 2
- DD** Crossbar x 1



3. Strip 3/4 in. of insulation from wire ends. Twist stripped ends together with pliers (not included), black to black (power) and white to white (neutral). Attach copper wire to ground wire. Helpful hint: If necessary, attach copper ground wire to grounded outlet box.

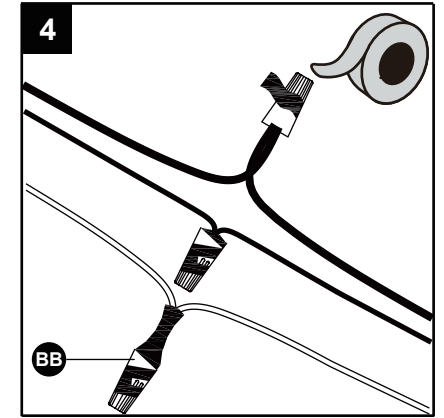


ASSEMBLY INSTRUCTIONS

4. Attach wire nuts (BB). Tape wire nuts (BB) and wires together.

Hardware Used

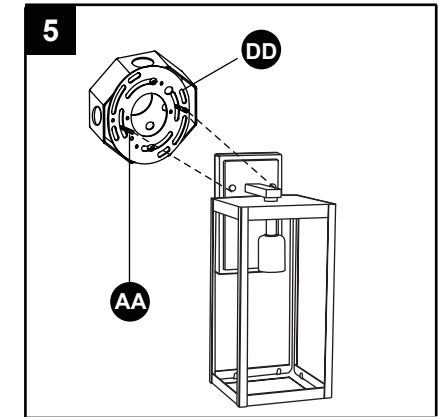
- BB** Wire nut x 3



5. Align the 2 screws (AA) through the holes of the back plate, and fix them with screw nuts.

Hardware Used

- AA** Long mounting screw x 2
- DD** Crossbar x 1



CAUTION: To avoid any waterproofing problems, please make sure the light fixture fits the mounting surface perfectly installation and use waterproof glue around the canopy for better sealing after installation.