






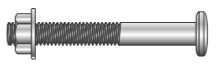
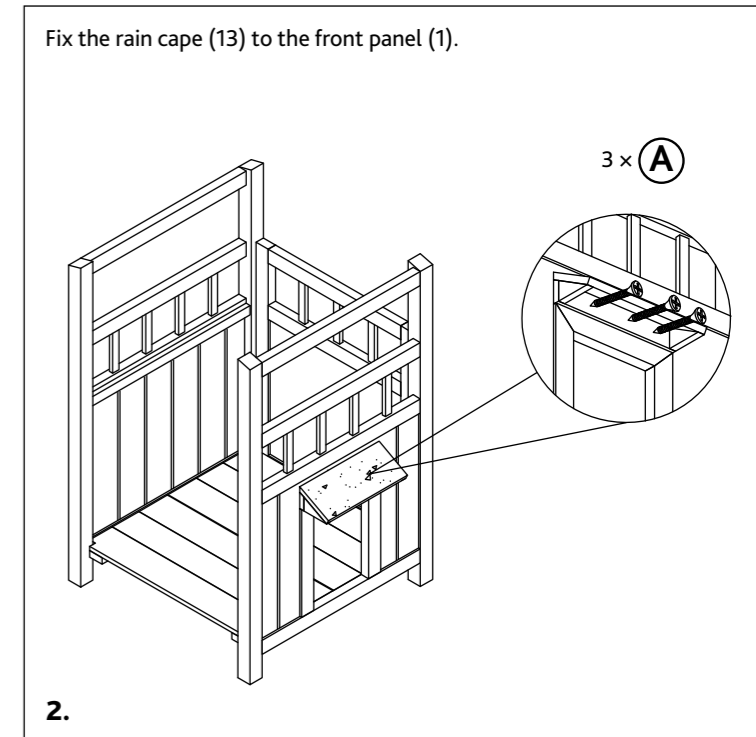
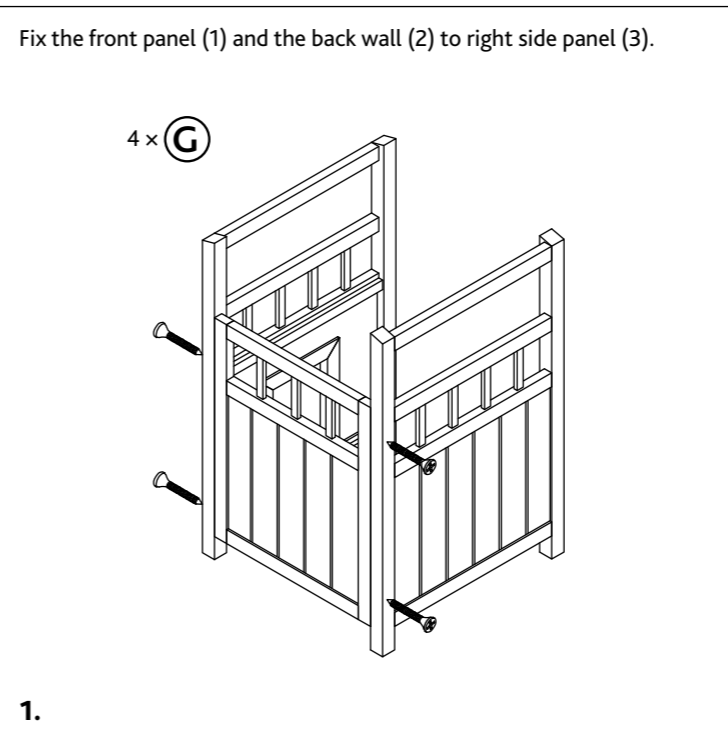


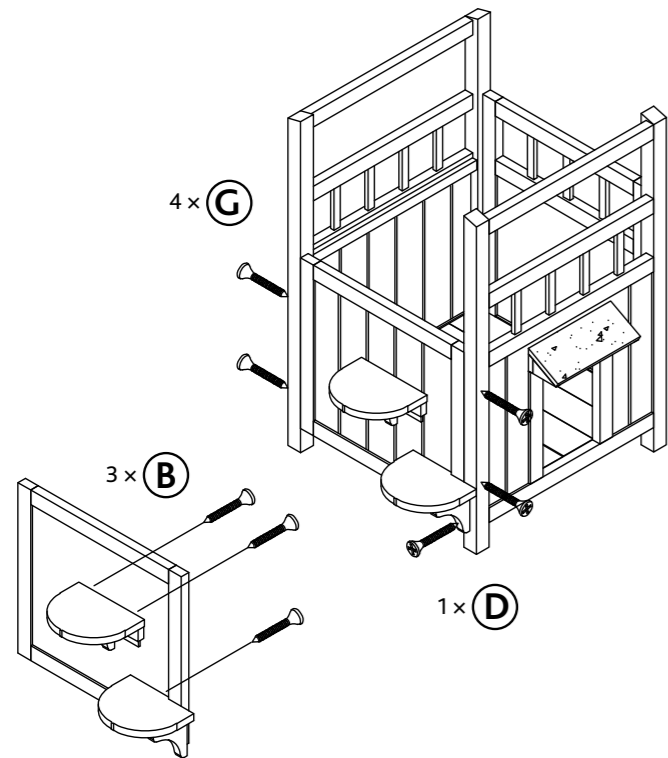
Pos.	Description	Measurement	Quantity	Item
1	Front panel	17.5 x 26.5 x 1 in. (450 x 680 x 30 mm)	1	
2	Back wall	17.5 x 26.5 x 1 in. (450 x 680 x 30 mm)	1	
3	Side panel, right	15 x 18.5 x 0.5 in. (387 x 470 x 18 mm)	1	
4	Side panel, left	15 x 13.5 x 0.5 in. (387 x 350 x 18 mm)	1	
5	Roof panel	25.25 x 10.25 x 0.5 in. (645 x 265 x 18 mm)	2	
6	Floor parts	16 x 8 x 0.75 in. (408 x 205 x 24 mm)	4	
7	Roof Ridge	24 x 2.25 x 0.5 in. (615 x 63 x 18 mm)	1	
8	Middle Step	6 x 4.5 x 3.5 in. (155 x 120 x 95 mm)	1	
9	Bottom Step	6 x 4.5 x 3.5 in. (155 x 120 x 95 mm)	1	
10	Upper Step	7.75 x 4.5 x 0.5 in. (200 x 120 x 14 mm)	1	
11	Side Fence	4.5 x 4.5 x 0.5 in. (120 x 120 x 18 mm)	1	
12	Back Fence	4.5 x 4.5 x 0.5 in. (120 x 120 x 18 mm)	1	
13	Rain cape	7.5 x 2.75 x 1.5 in. (195 x 75 x 40 mm)	1	
14	Roof parts	7 x 0.75 x 0.75 in. (180 x 24 x 24 mm)	2	

Pos.	Description	Size	Quantity	Item
A	Countersunk screw	0.118 x 0.787 in. (Ø3 x 20 mm)	3+1	
B	Countersunk screw	0.118 x 0.984 in. (Ø3 x 25 mm)	7+1	
C	Countersunk screw	0.118 x 1.181 in. (Ø3 x 30 mm)	4+1	
D	Countersunk screw	0.118 x 1.378 in. (Ø3 x 35 mm)	3+1	
E	Countersunk screw	0.138 x 1.181 in. (Ø3.5 x 30 mm)	4+1	
F	Countersunk screw	0.138 x 1.378 in. (Ø3.5 x 35 mm)	4+1	
G	Countersunk screw	0.138 x 1.969 in. (Ø3.5 x 50 mm)	8+1	
H	Thread screw with nut	0.236 x 2.165 in. (Ø6 x 55 mm)	1	

USA Made in China.

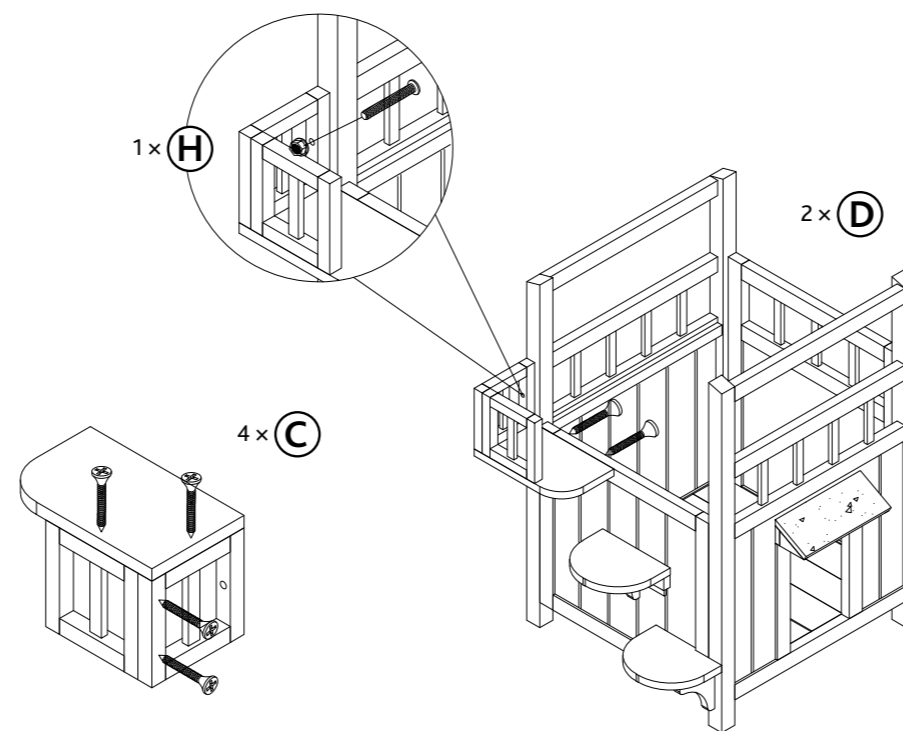


Fix the middle step (8) and bottom step (9) to the left side panel (4). Then fix the left side panel.



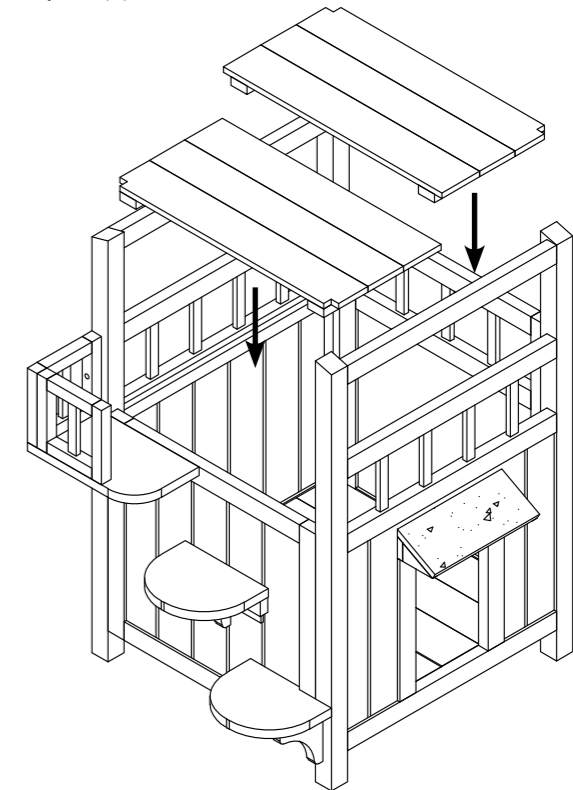
3.

Fix the side fence (11) and back fence (12) to the large step (10). Then fix it to the left side panel (4).



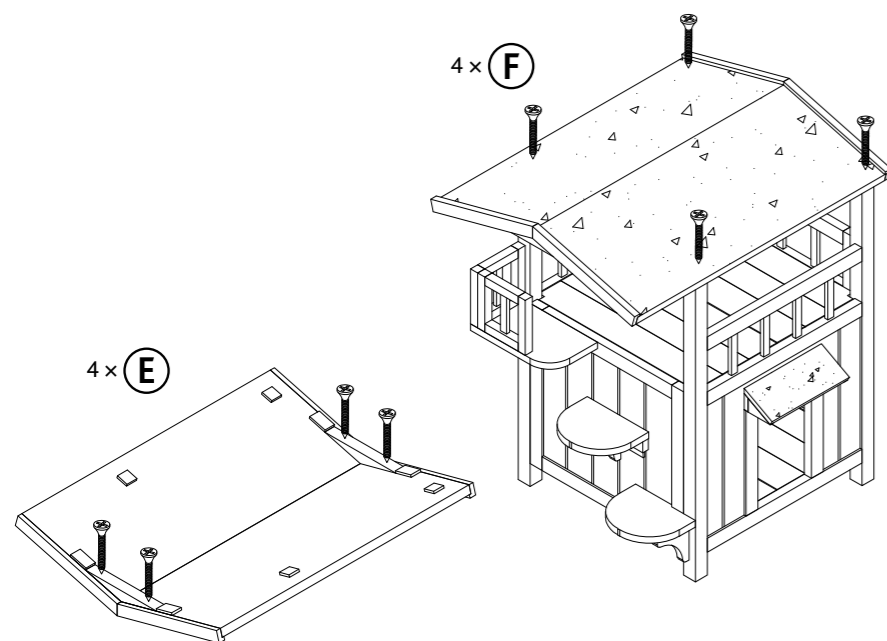
4.

Insert the four floor parts (6).



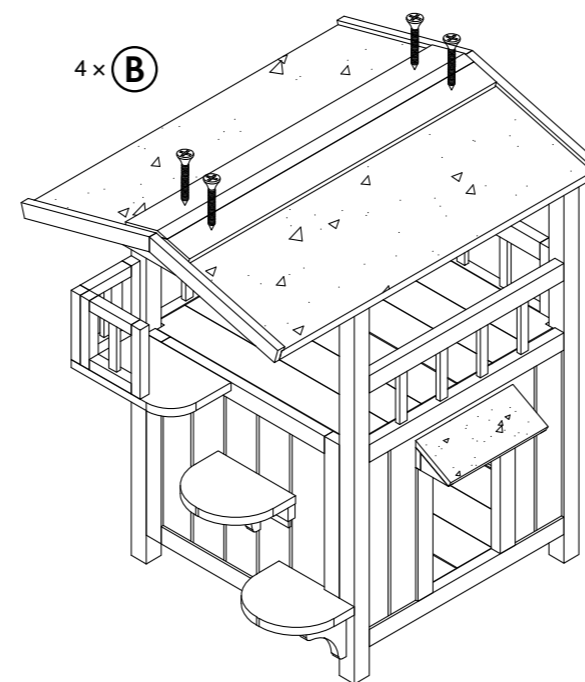
5.

Fix the roof parts (14) to the the roof panel (5), then fix them to the house.



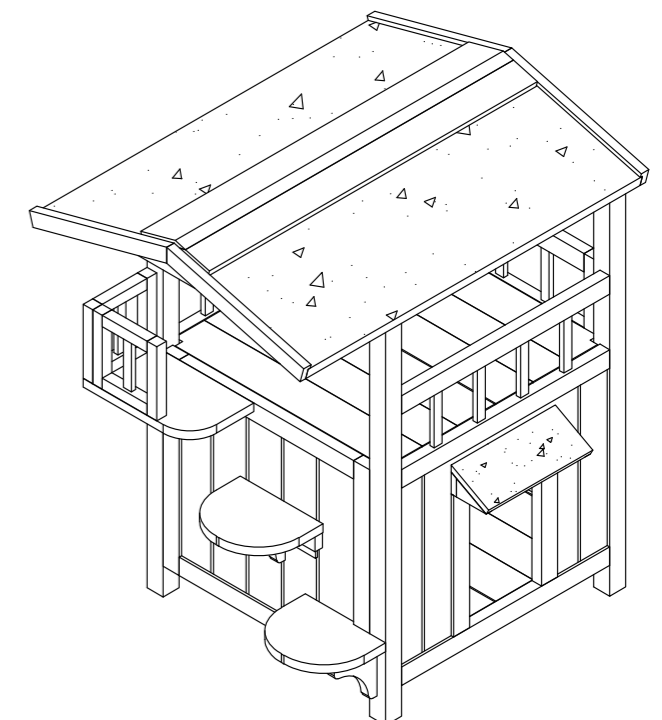
6.

Fix the roof ridge (7) to the roof panel (5).



7.

Finish.



8.