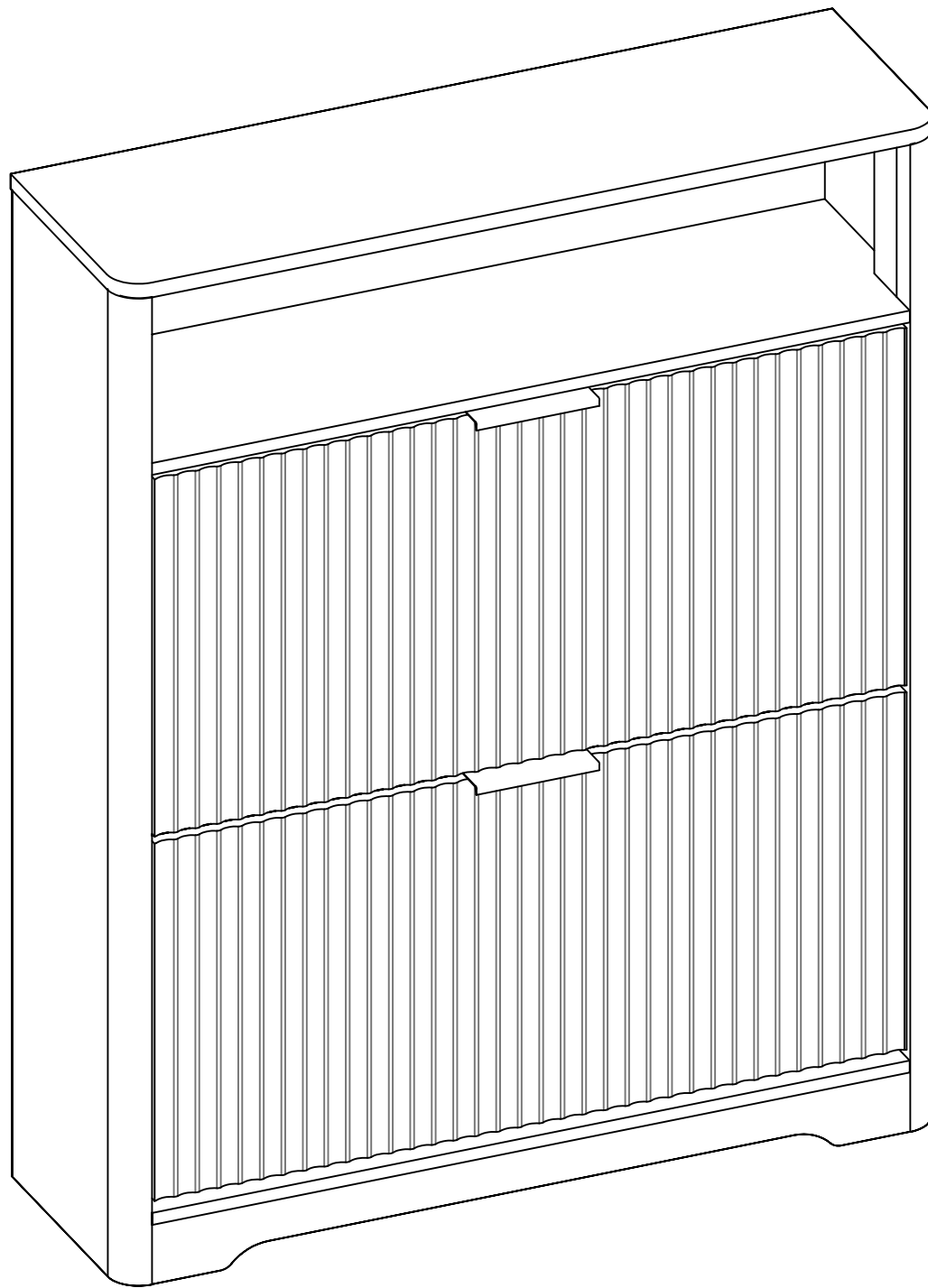
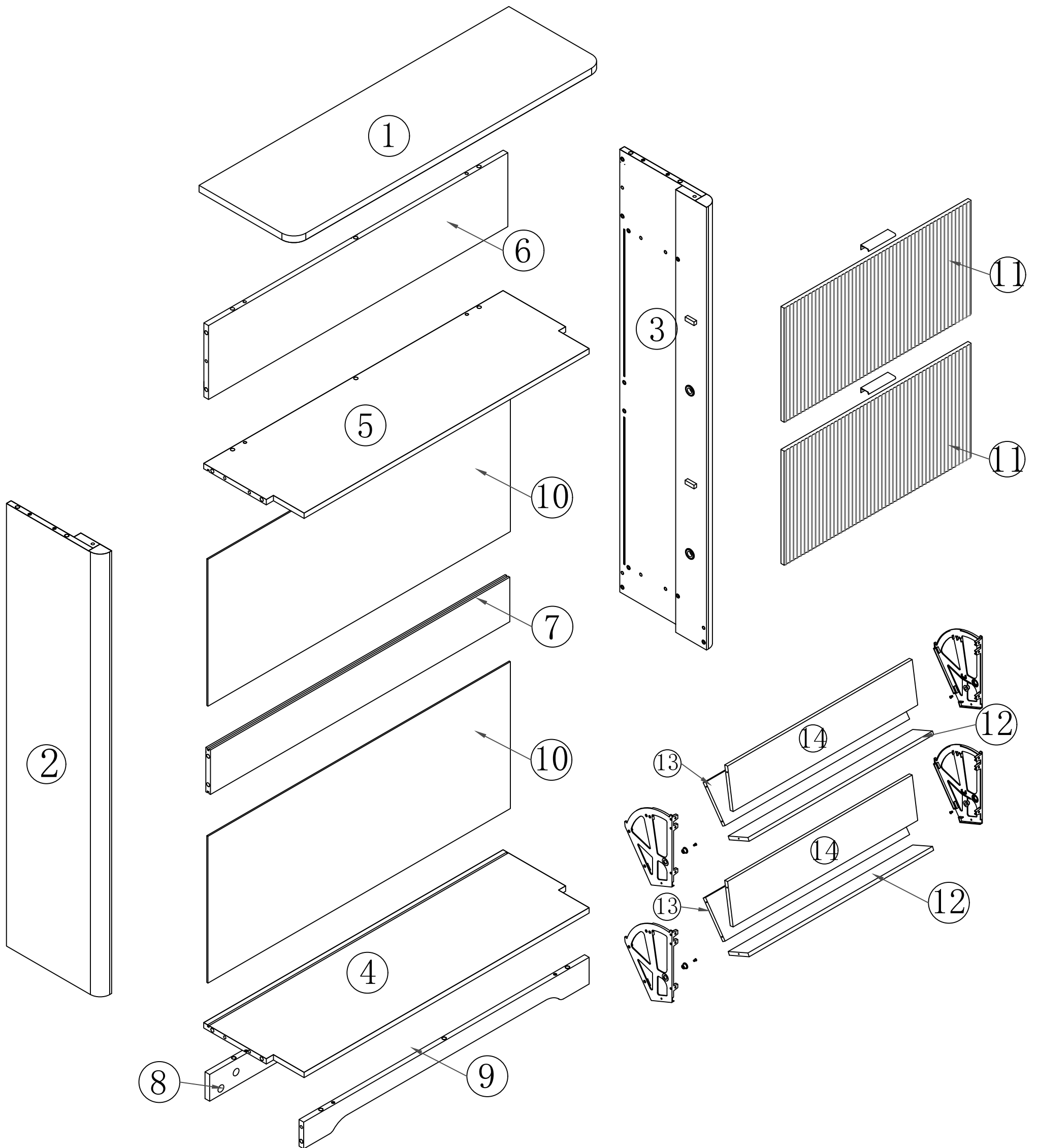


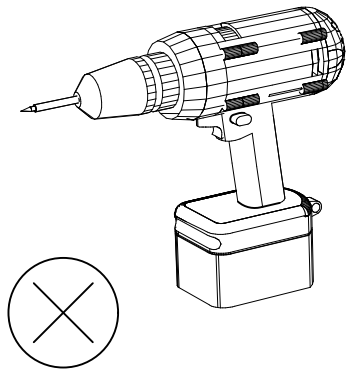
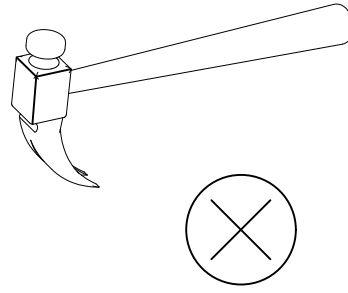
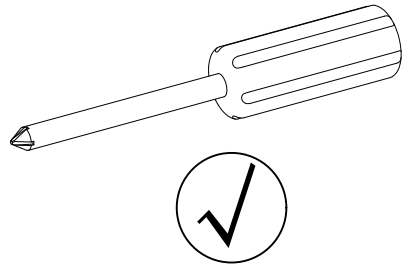
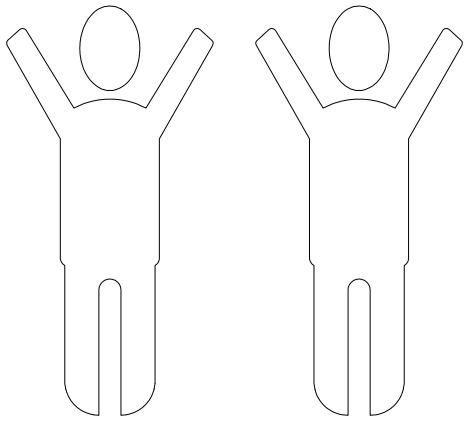
Assembly Instruction



Parts List (EN)

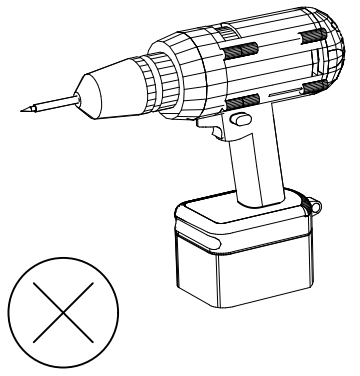
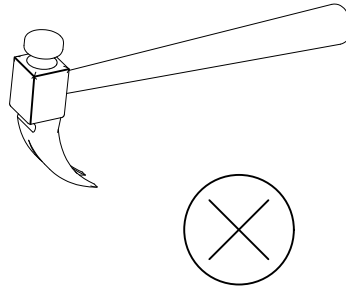
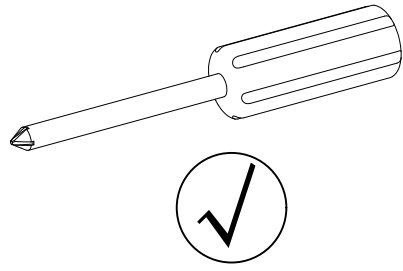
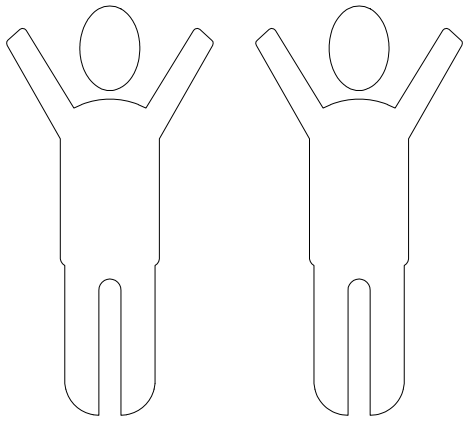


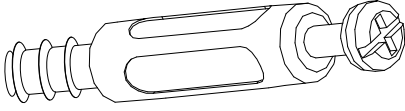
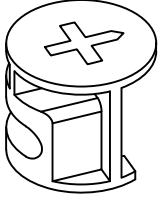
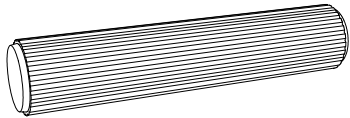
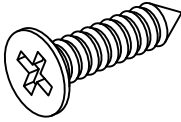
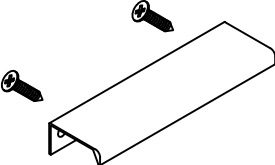
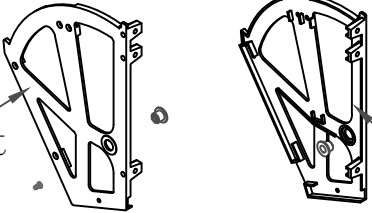
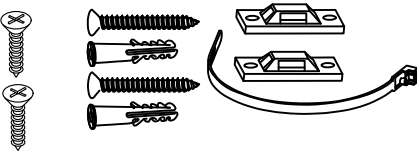
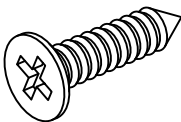
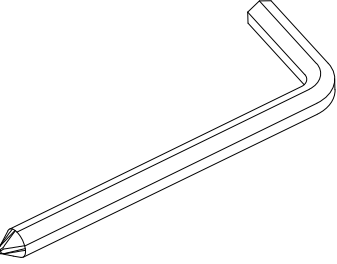
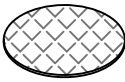
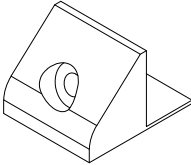
Parts List (EN)



<p>①</p> <p>1PCS</p>	<p>②</p> <p>1PCS</p>	<p>③</p> <p>1PCS</p>	<p>④</p> <p>1PCS</p>
<p>⑤</p> <p>1PCS</p>	<p>⑥</p> <p>1PCS</p>	<p>⑦</p> <p>1PCS</p>	<p>⑧</p> <p>1PCS</p>
<p>⑨</p> <p>1PCS</p>	<p>⑩</p> <p>2PCS</p>	<p>⑪</p> <p>2PCS</p>	<p>⑫</p> <p>2PCS</p>
<p>⑬</p> <p>2PCS</p>	<p>⑭</p> <p>2PCS</p>		

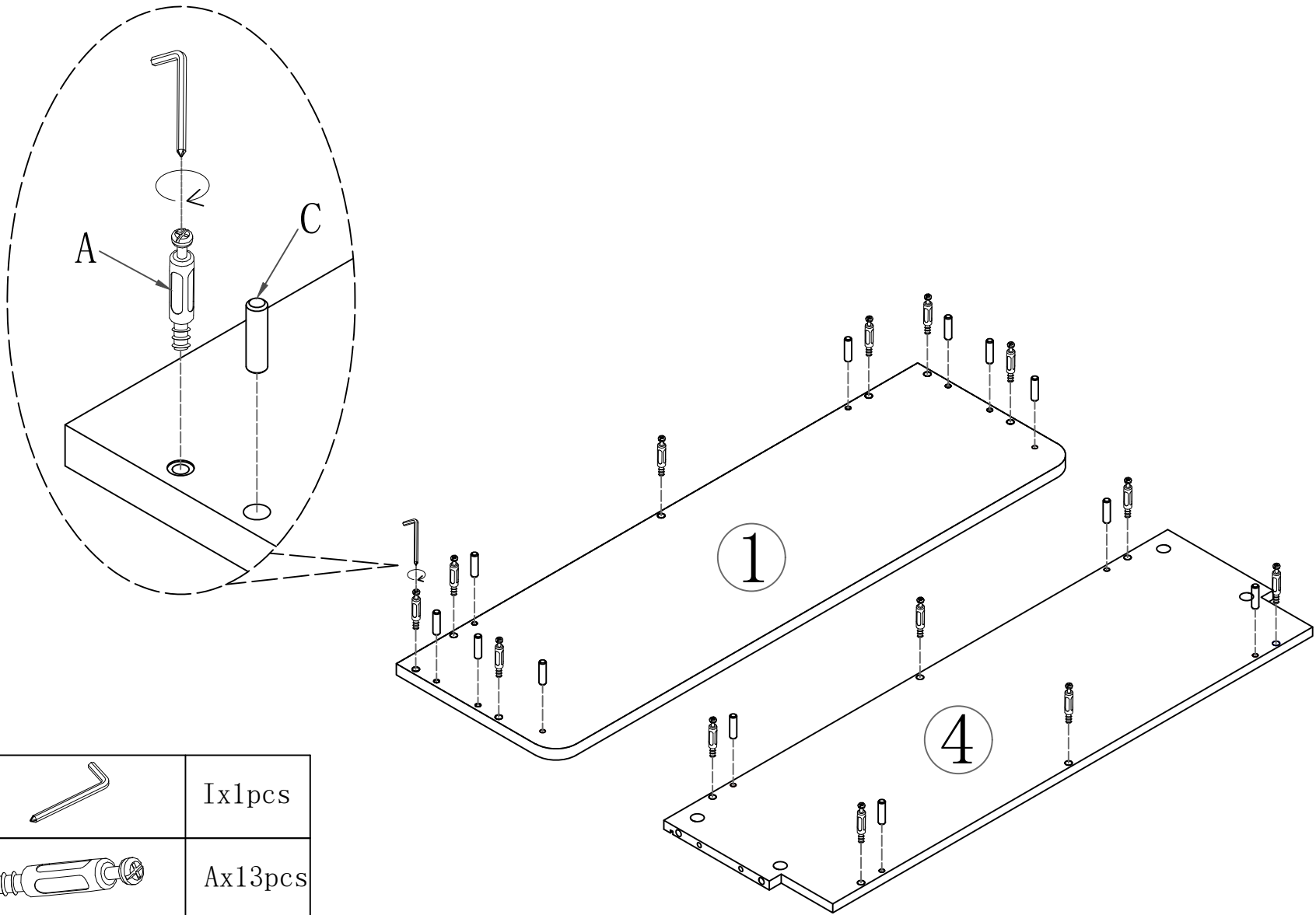
Parts List (EN)

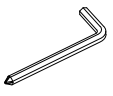
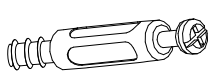
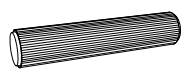


<p>A</p>  <p>Ø6*35mm</p> <p>36+2PCS</p>	<p>B</p>  <p>Ø15*9.5mm</p> <p>36+2PCS</p>	<p>C</p>  <p>Ø6*30mm</p> <p>28+2PCS</p>
<p>D</p>  <p>Ø3.5*14mm</p> <p>24+2PCS</p>	<p>E</p>  <p>Handle</p> <p>2 sets</p>	<p>F</p>  <p>Left</p> <p>Right</p> <p>2 sets</p>
<p>G</p>  <p>1 sets</p>	<p>H</p>  <p>Ø3.5*16mm</p> <p>12+2PCS</p>	<p>I</p>  <p>1 PCS</p>
<p>J</p>  <p>Ø21mm</p> <p>8+2PCS</p>	<p>K</p>  <p>8+1PCS</p>	

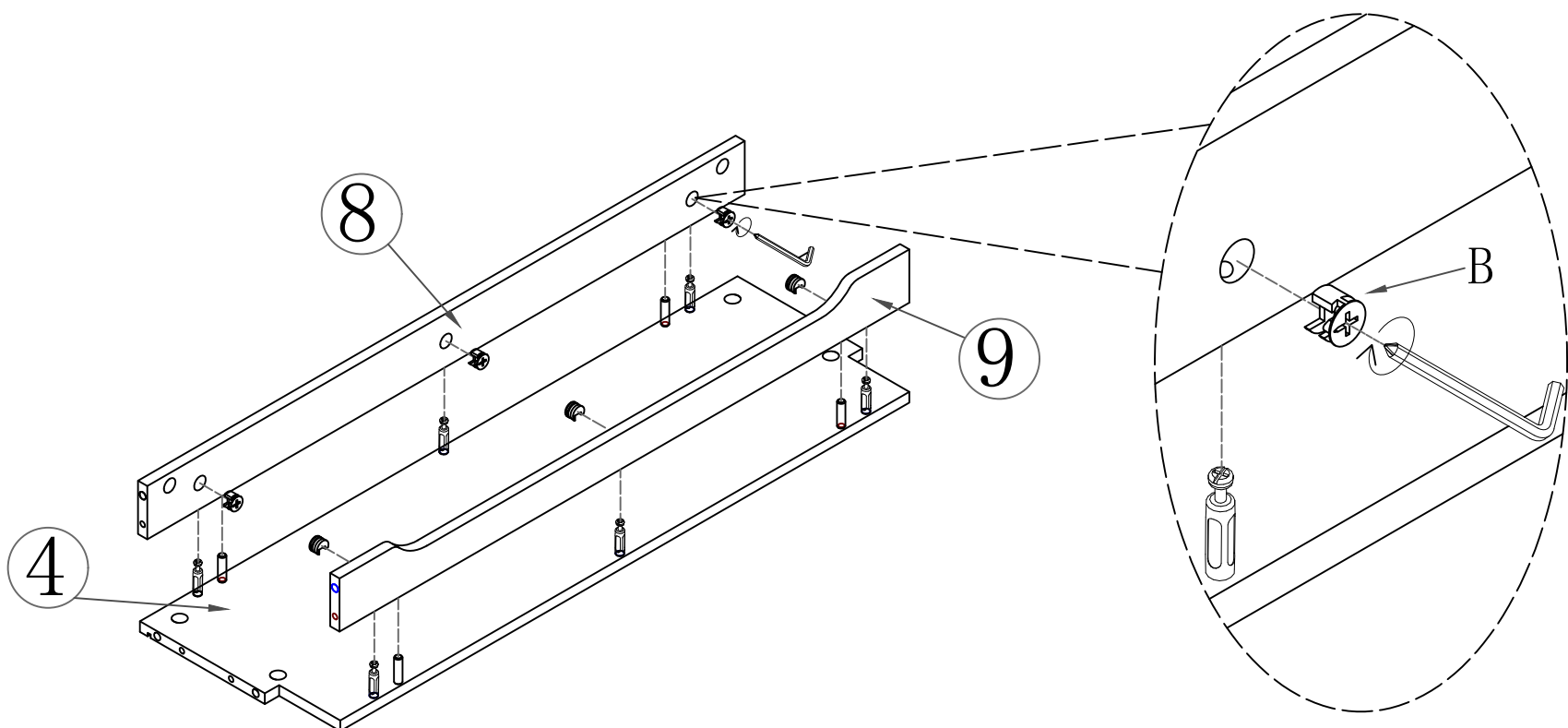
Assembly Steps (EN)

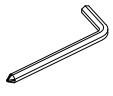

Step 1



	Ix1pcs
	Ax13pcs
	Cx12pcs

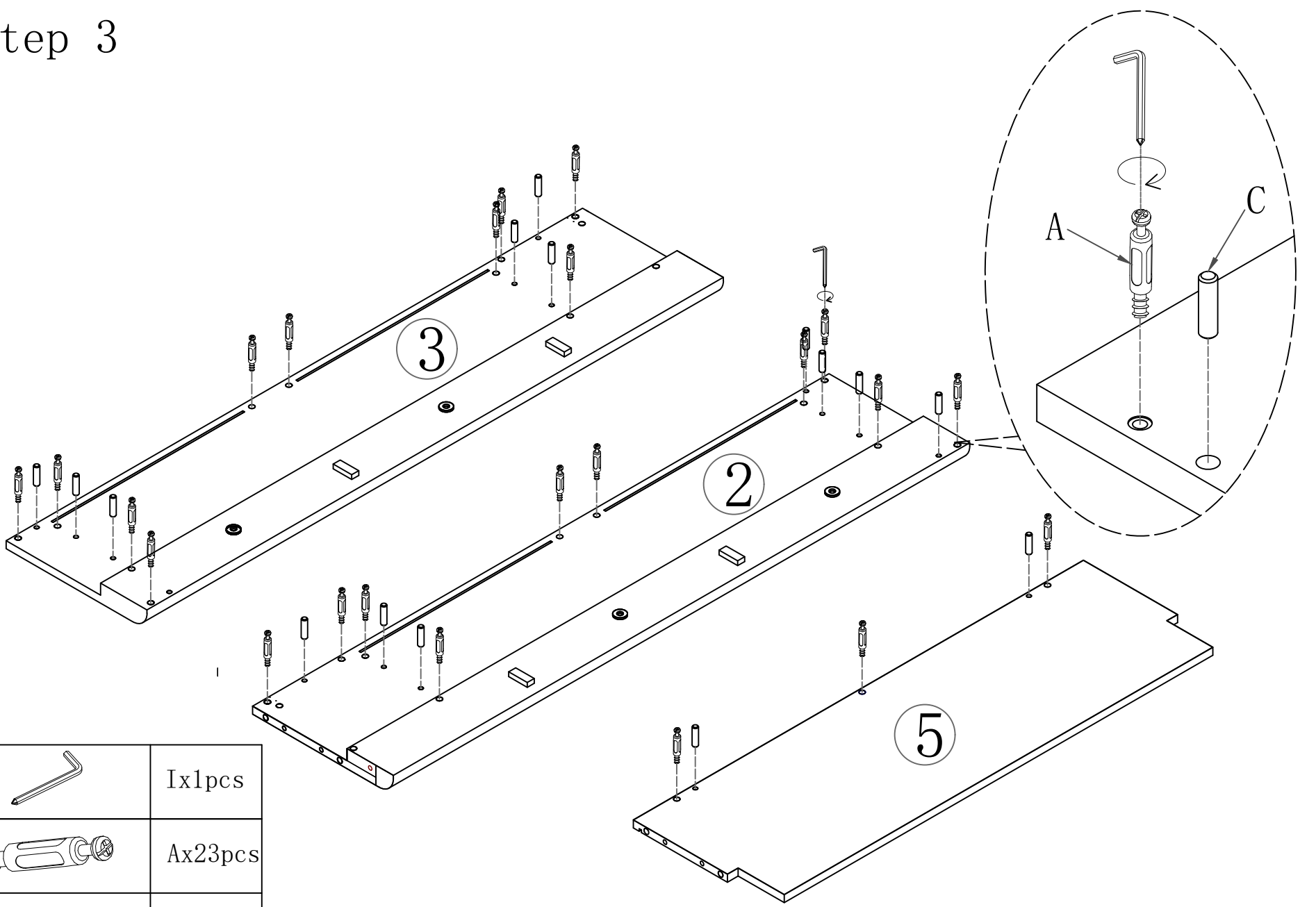
Step 2

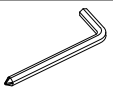
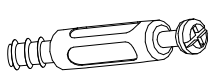
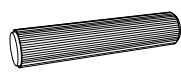


	Ix1pcs
	Bx6pcs

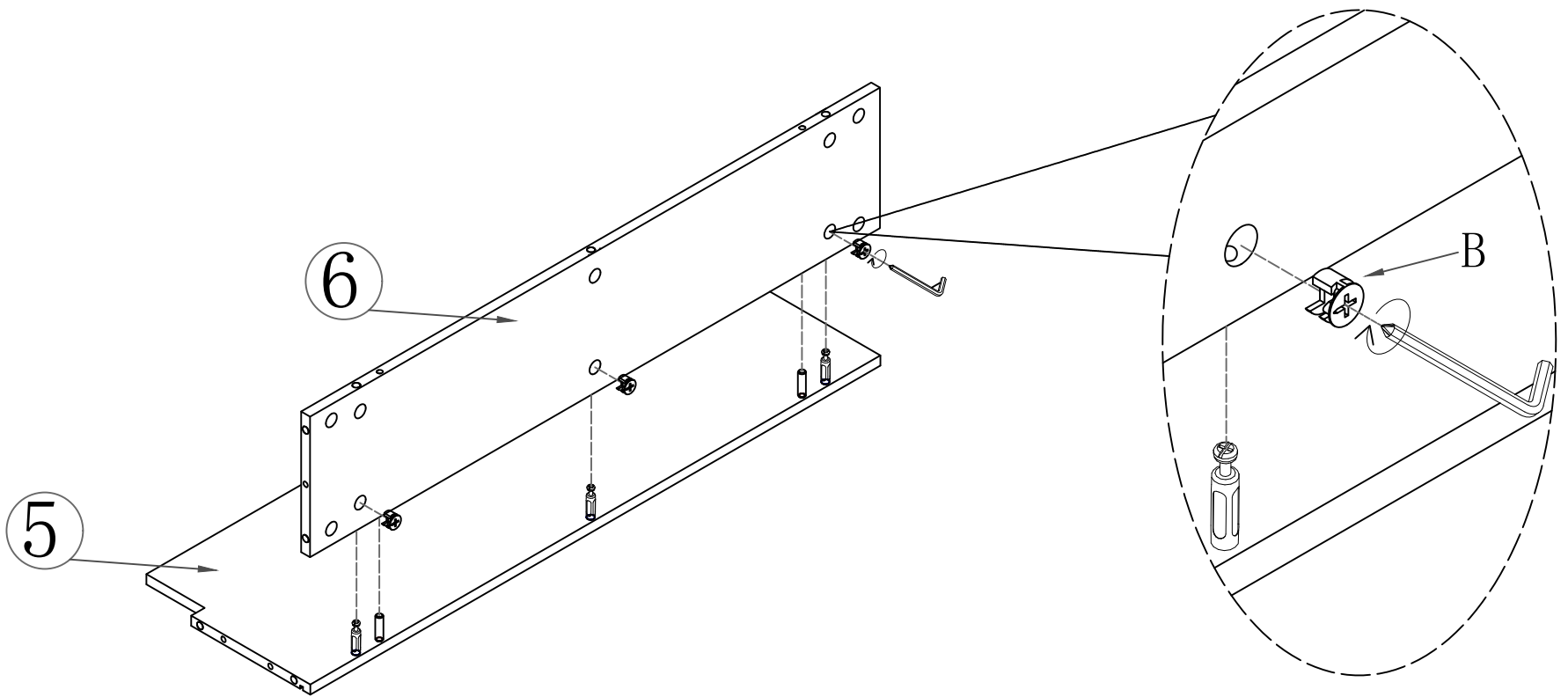
Assembly Steps (EN)

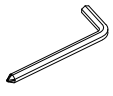

Step 3



	Ix1pcs
	Ax23pcs
	Cx16pcs

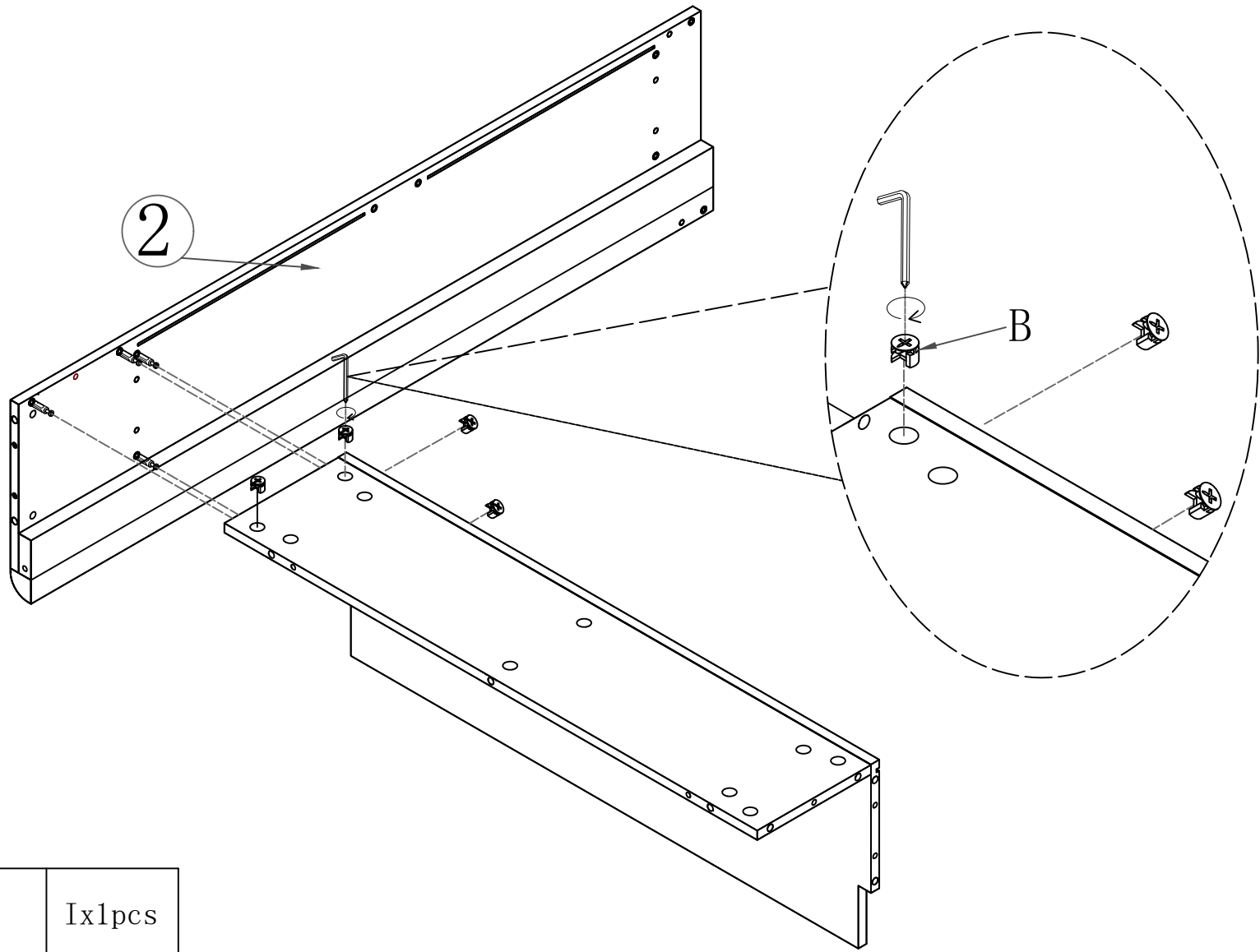
Step 4

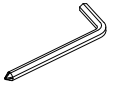



	Ix1pcs
	Bx3pcs

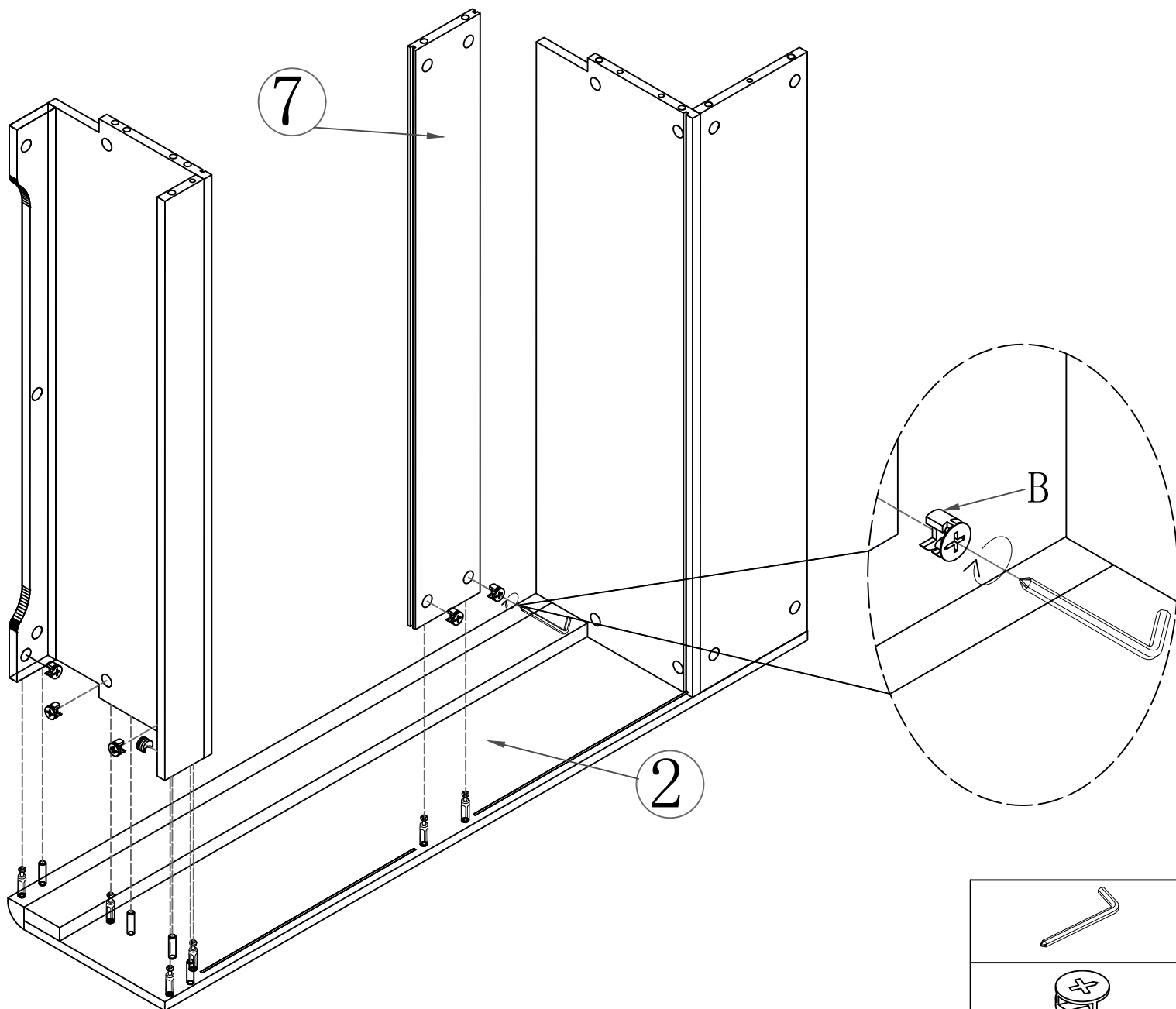
Assembly Steps (EN)

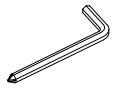

Step 5



	Ix1pcs
	Bx4pcs

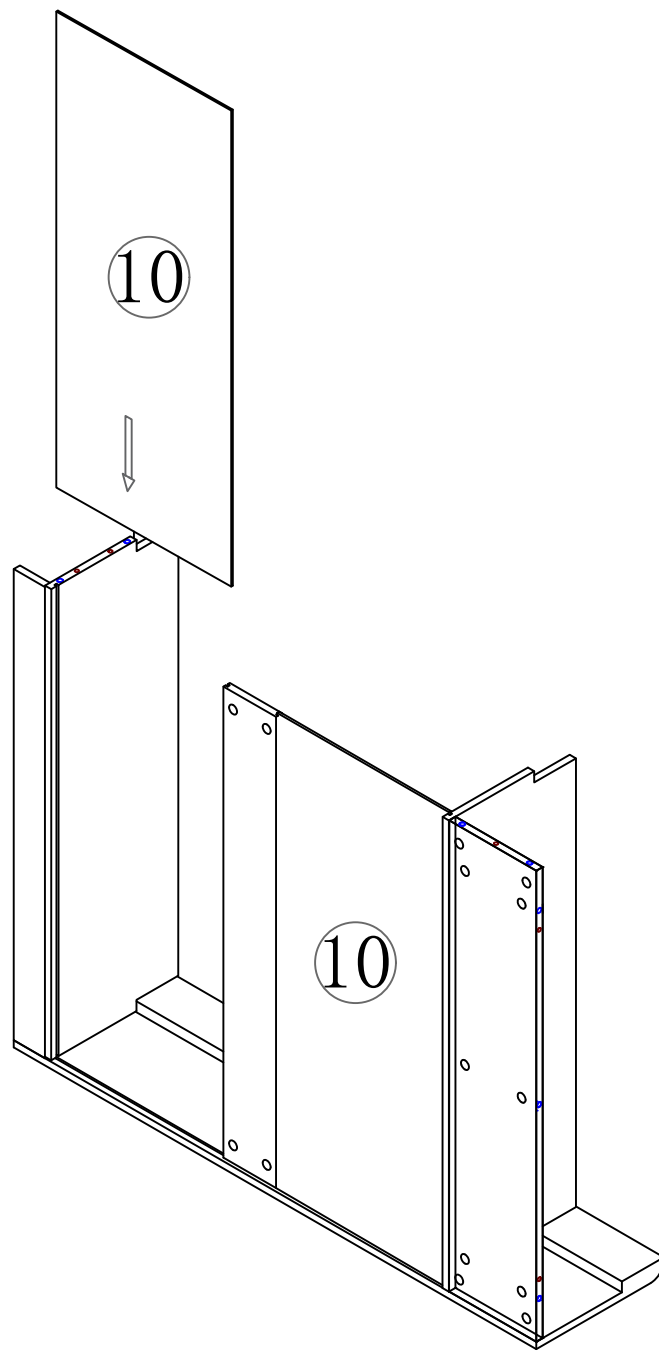
Step 6



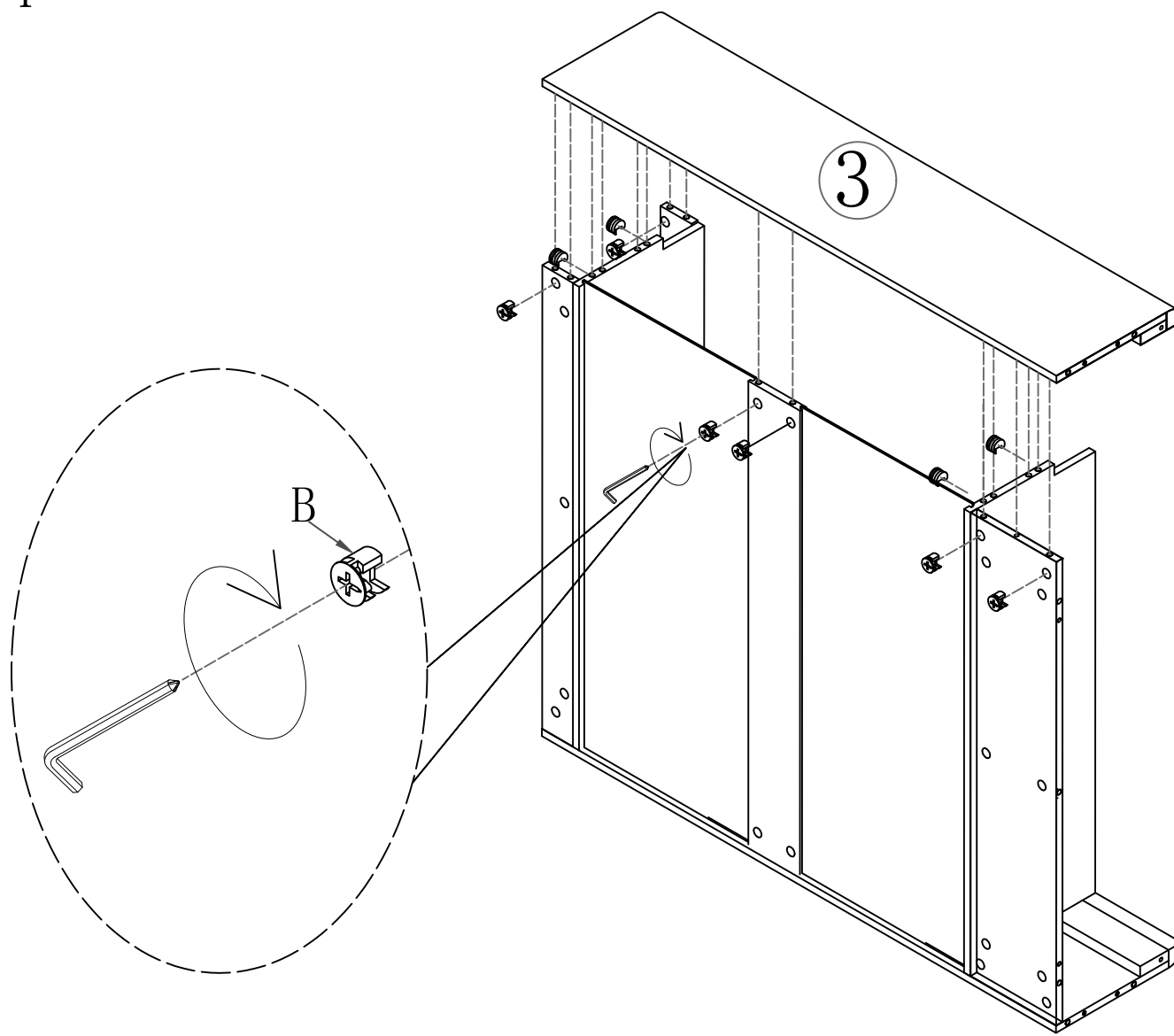
	Ix1pcs
	Bx6pcs

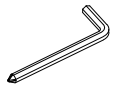

Assembly Steps (EN)

Step 7



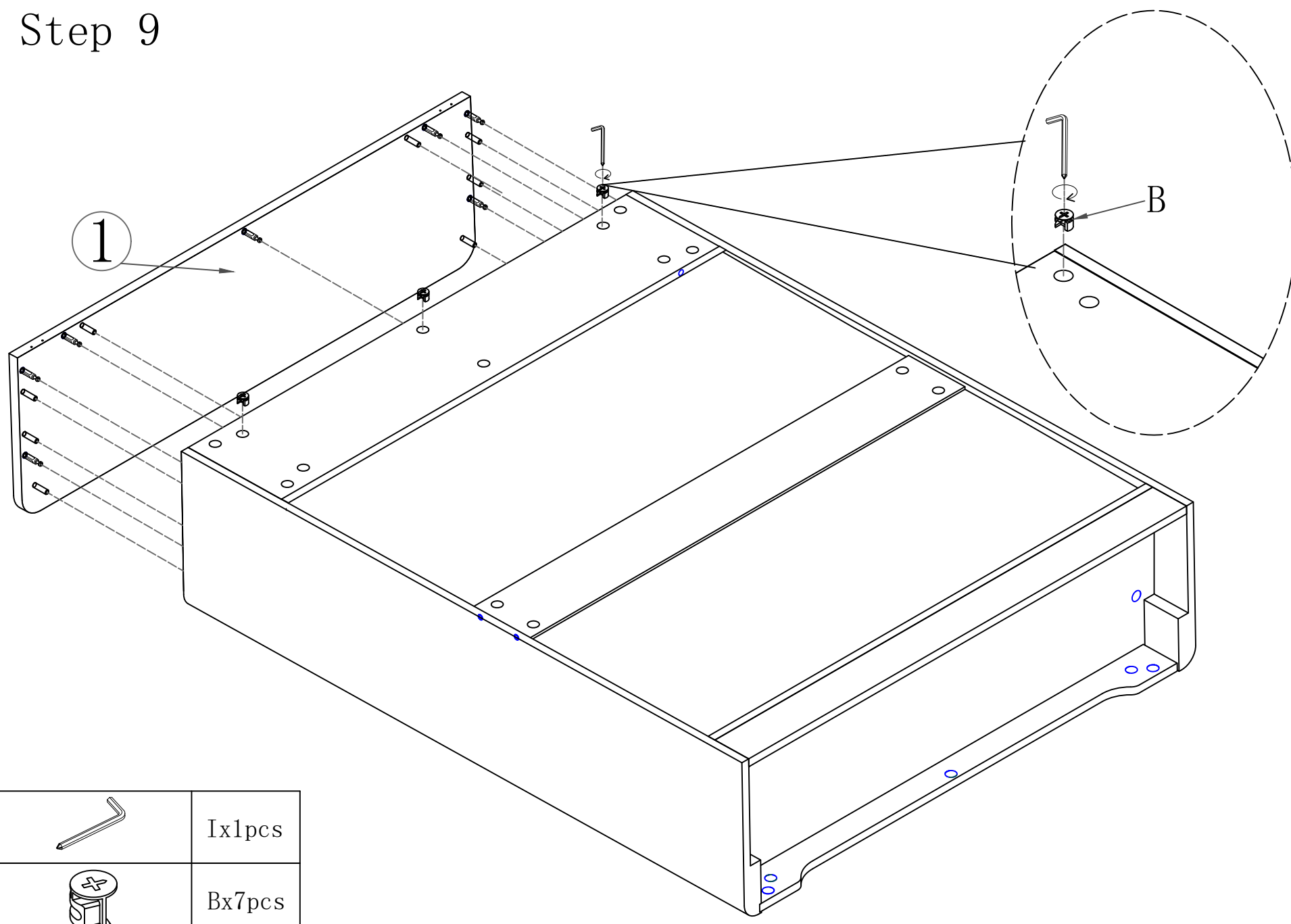
Step 8





	Ix1pcs
	Bx10pcs

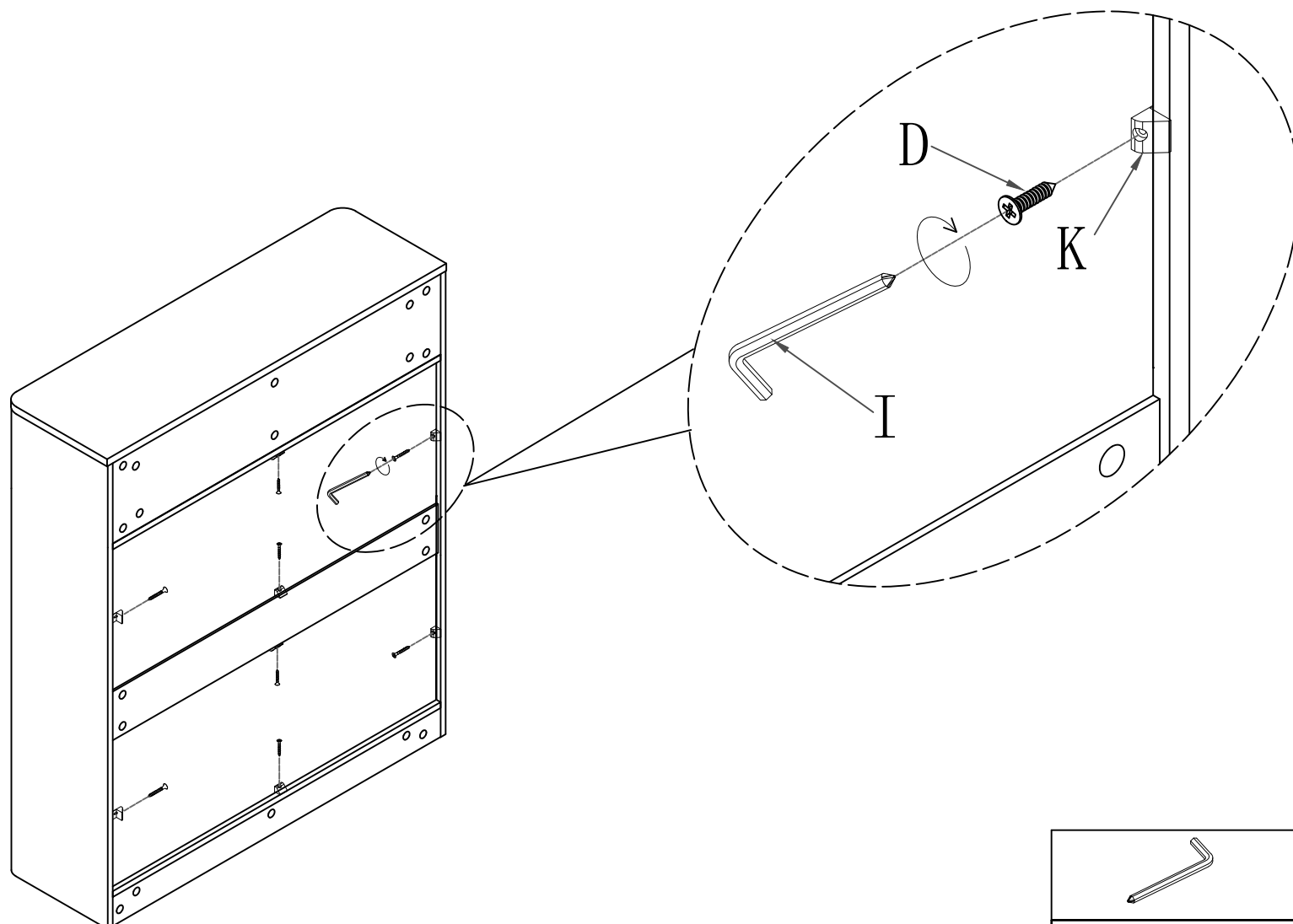
Assembly Steps (EN)

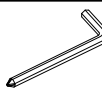

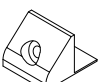
Step 9



	Ix1pcs
	Bx7pcs

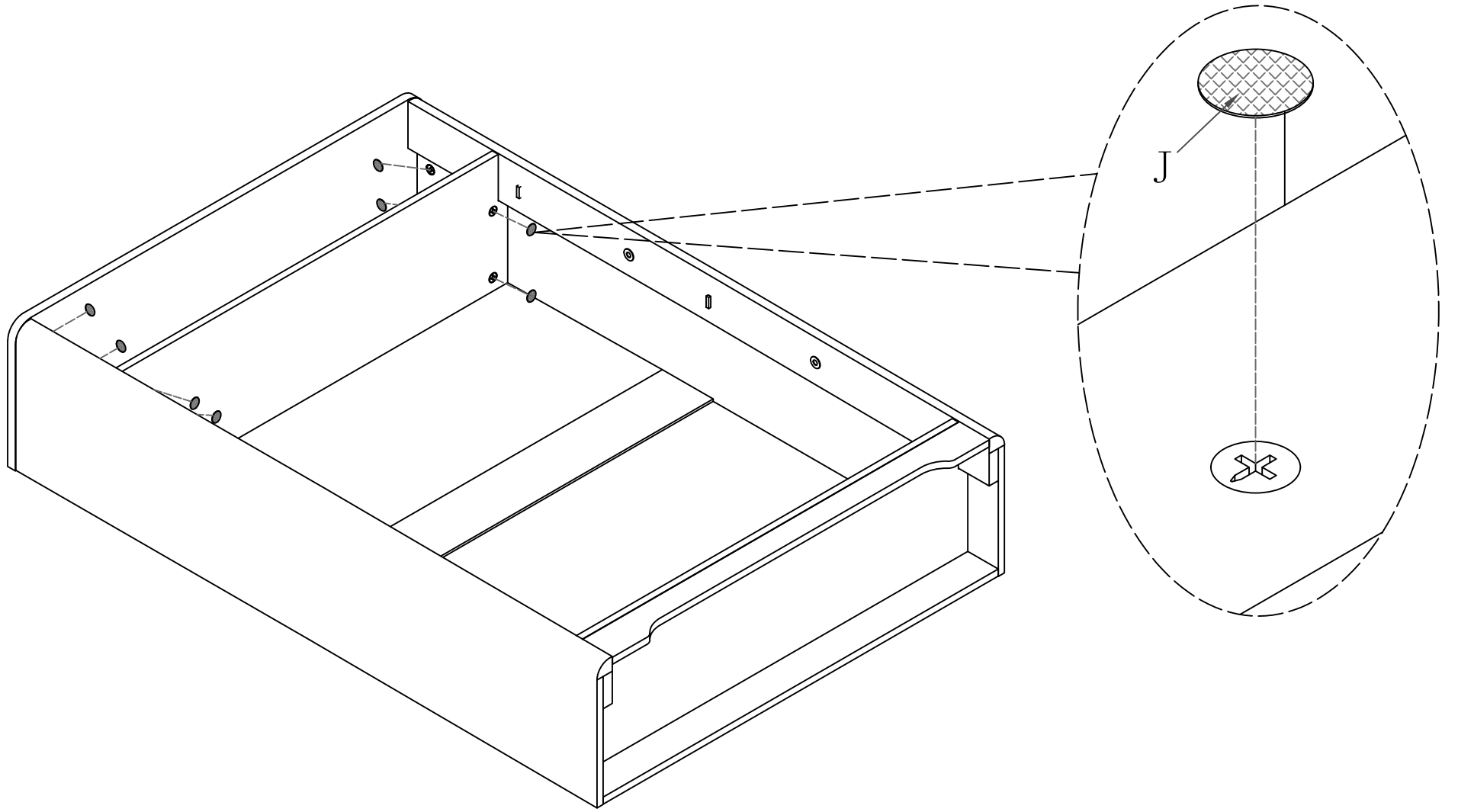
Step 10



	Ix1pcs
	Dx8pcs
	Kx8pcs

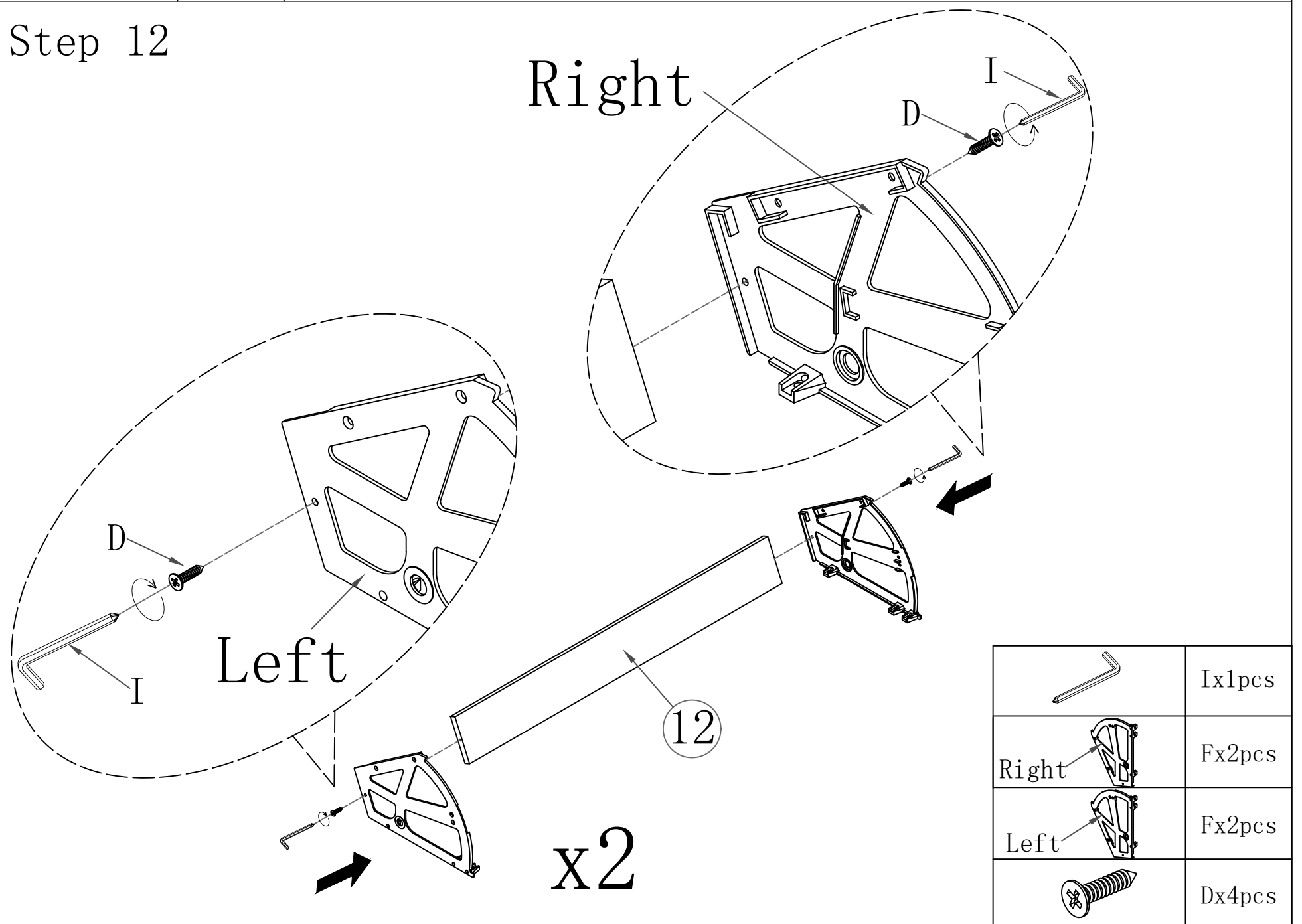
Assembly Steps (EN)

Step 11



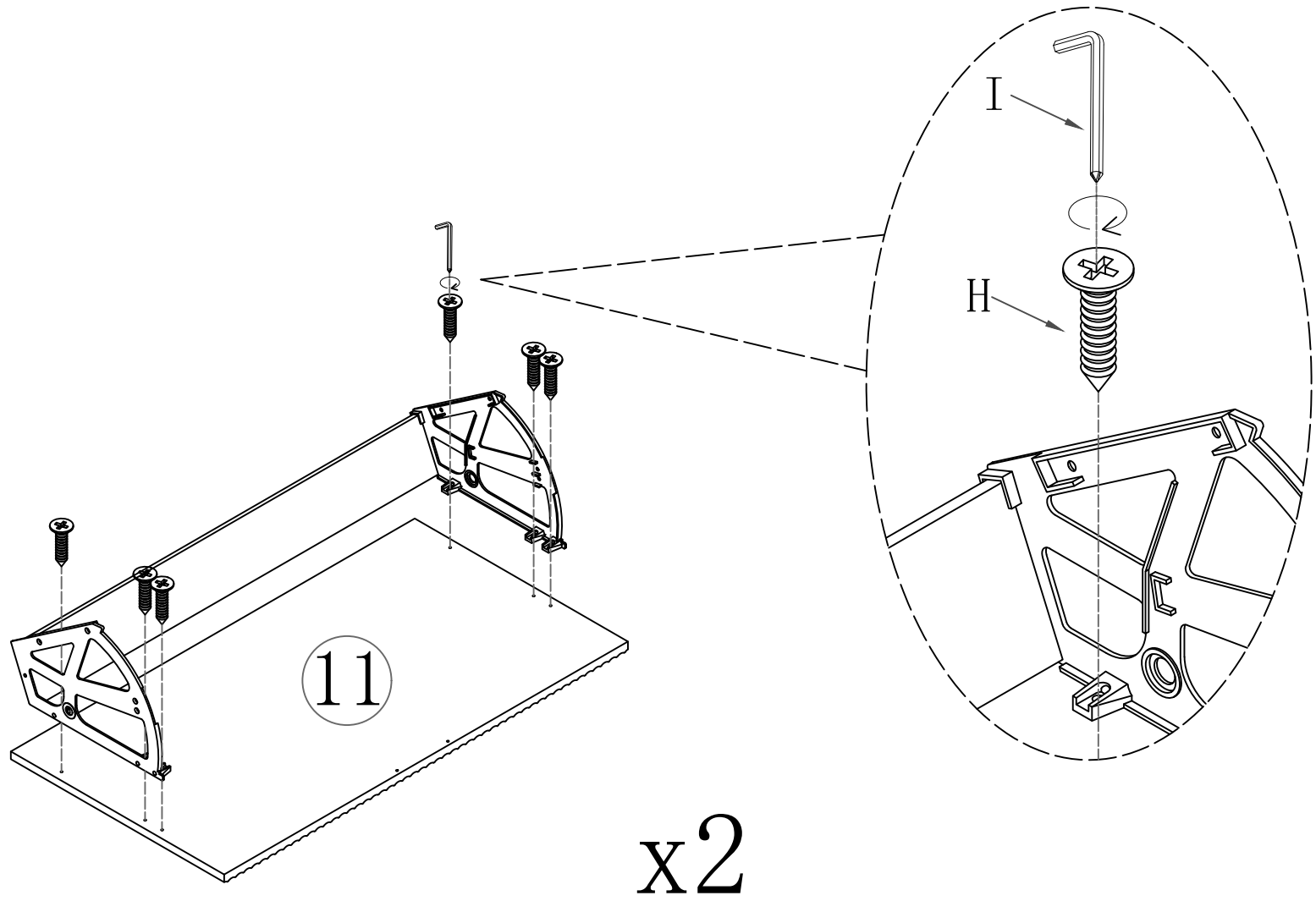
Jx8pcs

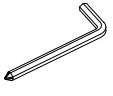

Step 12



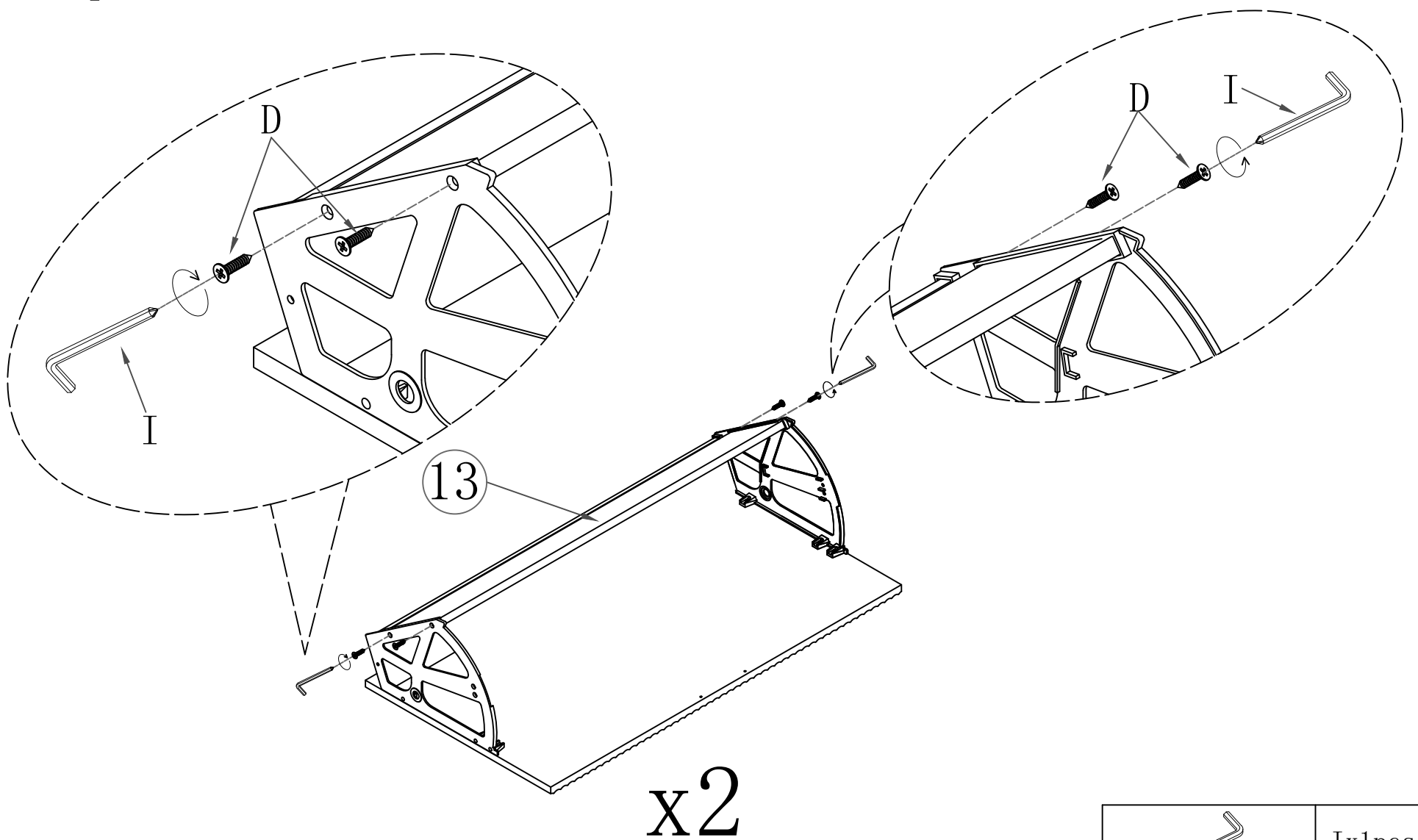
Assembly Steps (EN)

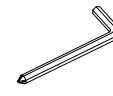

Step 13



	Ix1pcs
	Hx12pcs

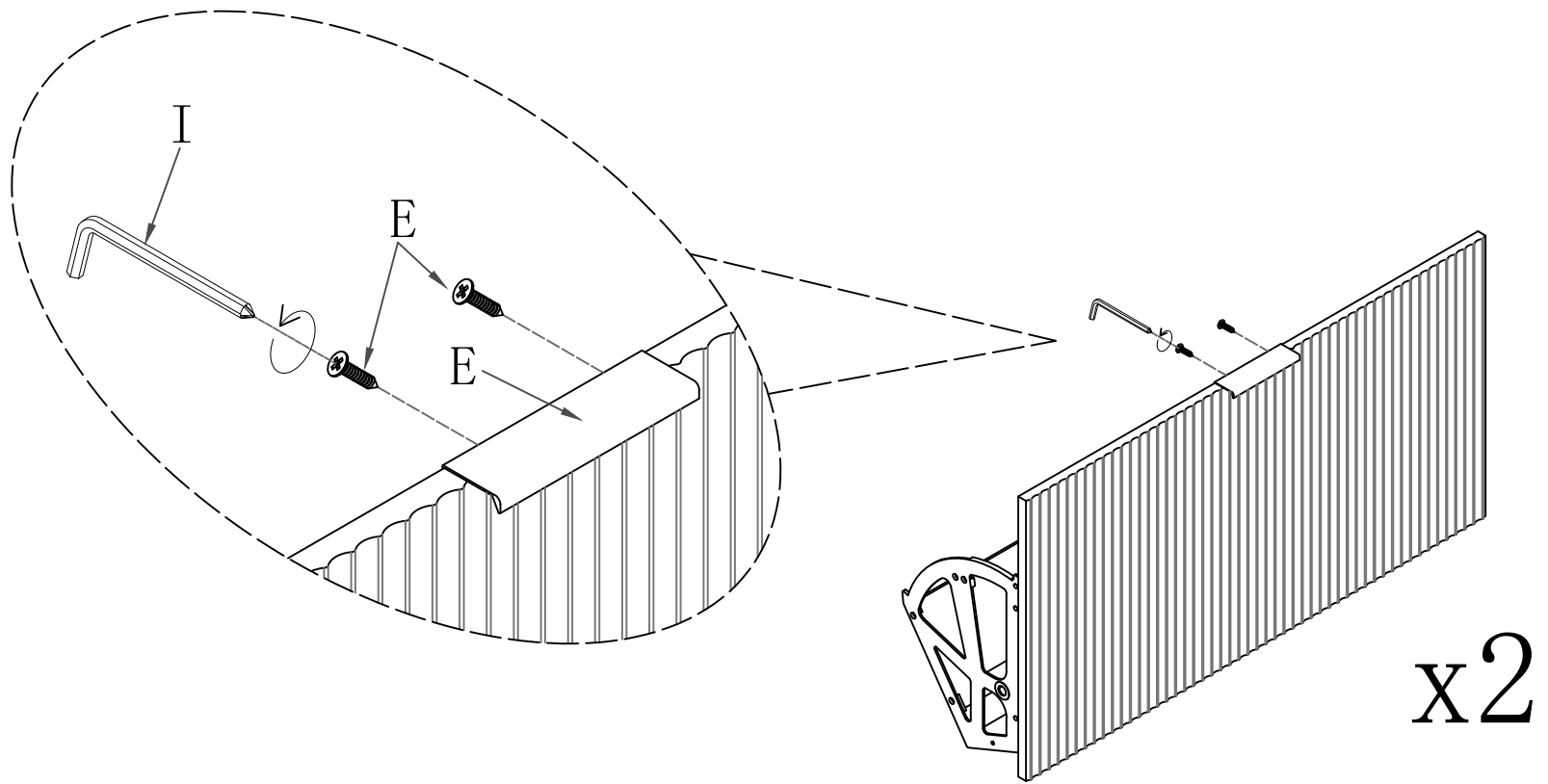
Step 14

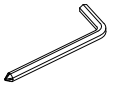



	Ix1pcs
	Dx8pcs

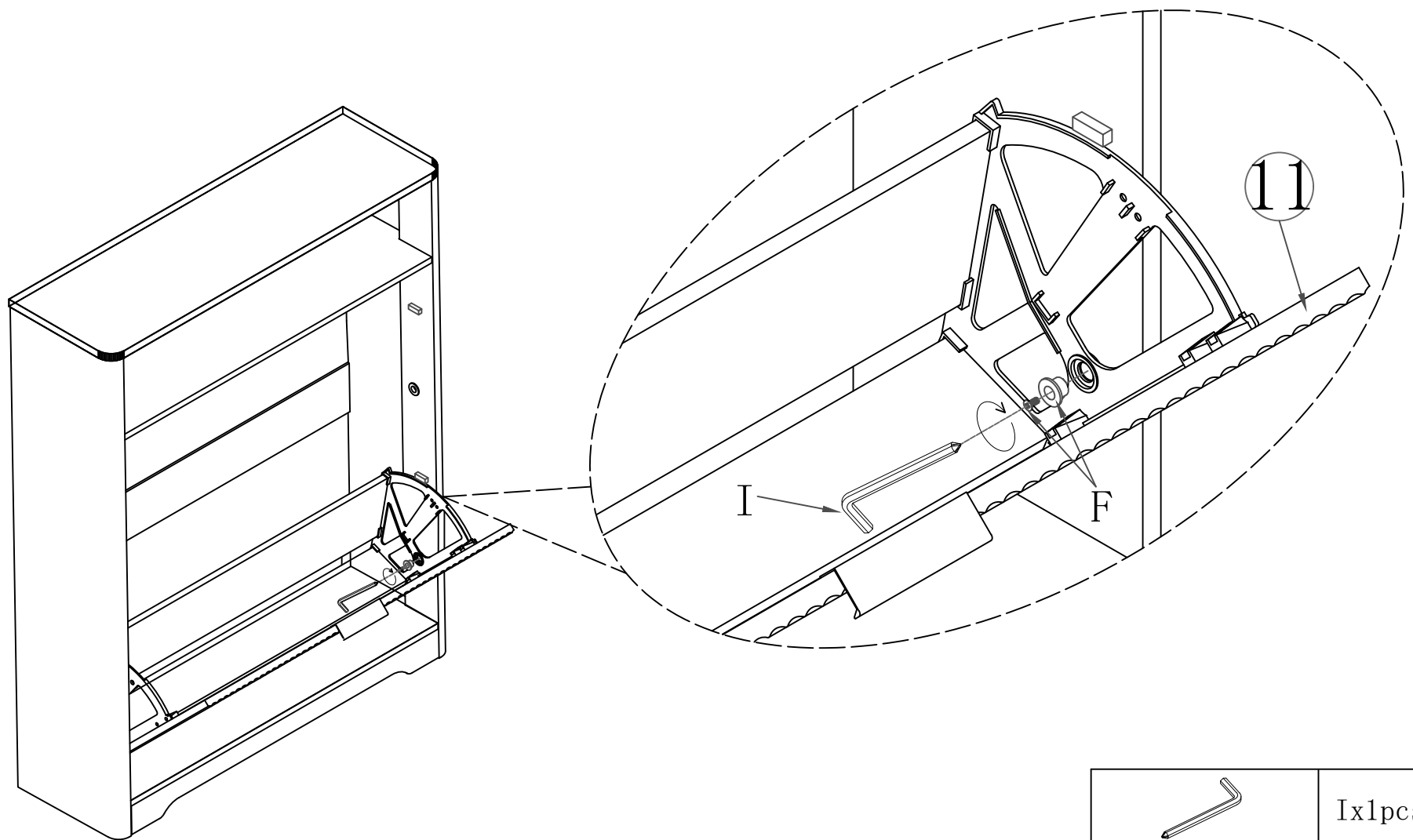
Assembly Steps (EN)

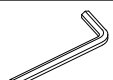


Step 15



	Ix1pcs
	Ex2sets

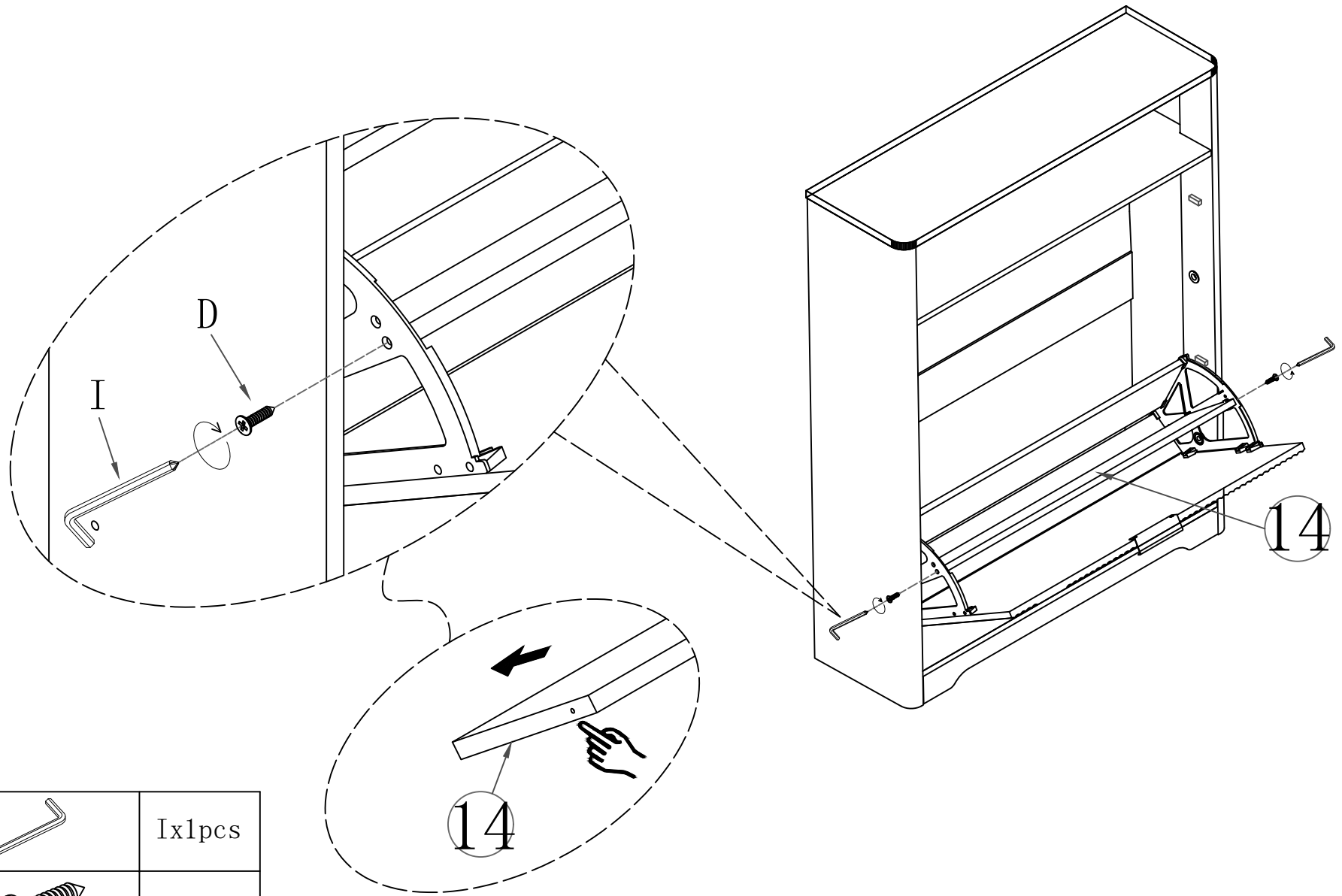
Step 16

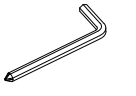



	Ix1pcs
	Fx2pcs
	Fx2pcs

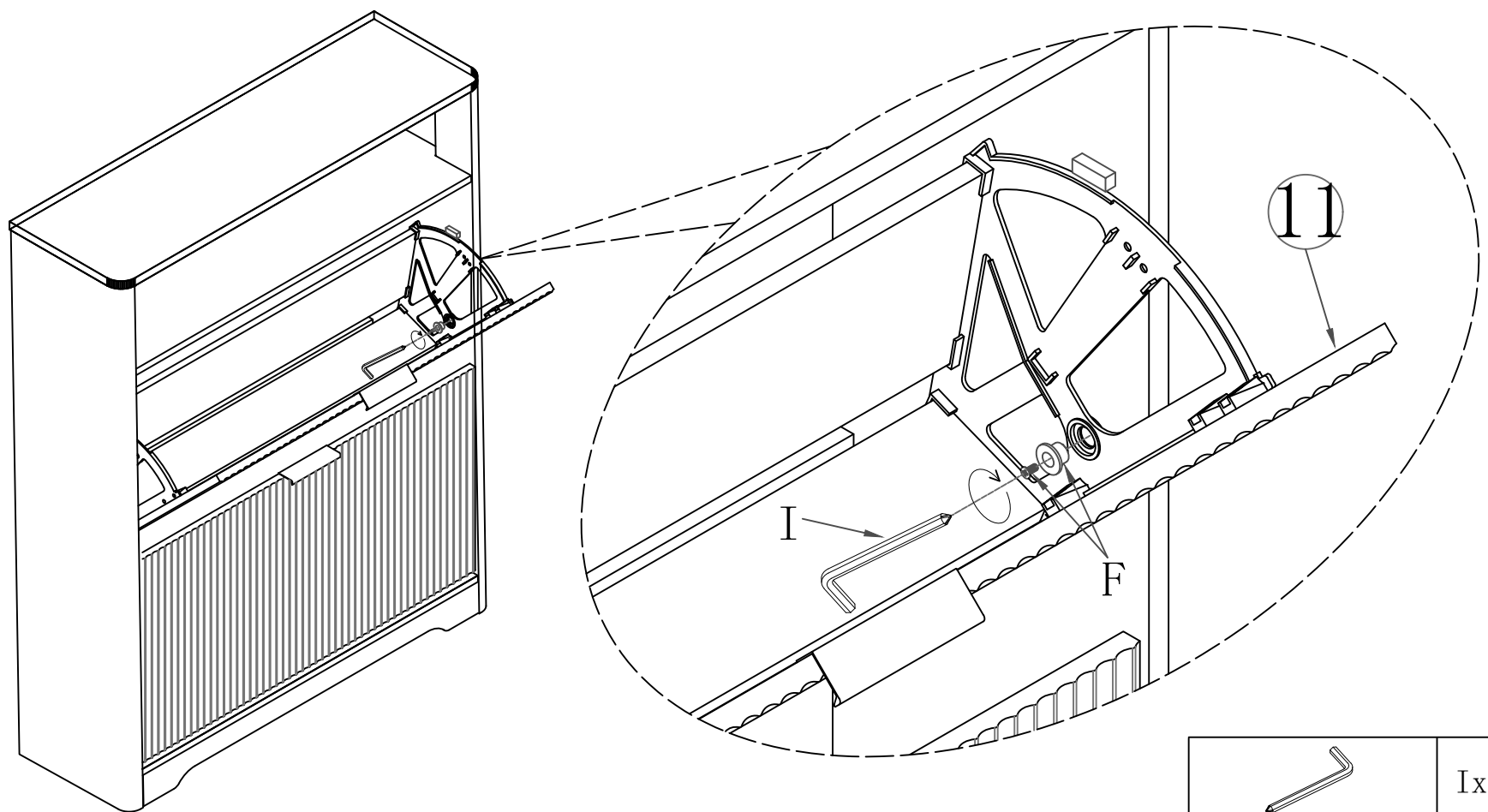
Assembly Steps (EN)




Step 17



	Ix1pcs
	Dx2pcs

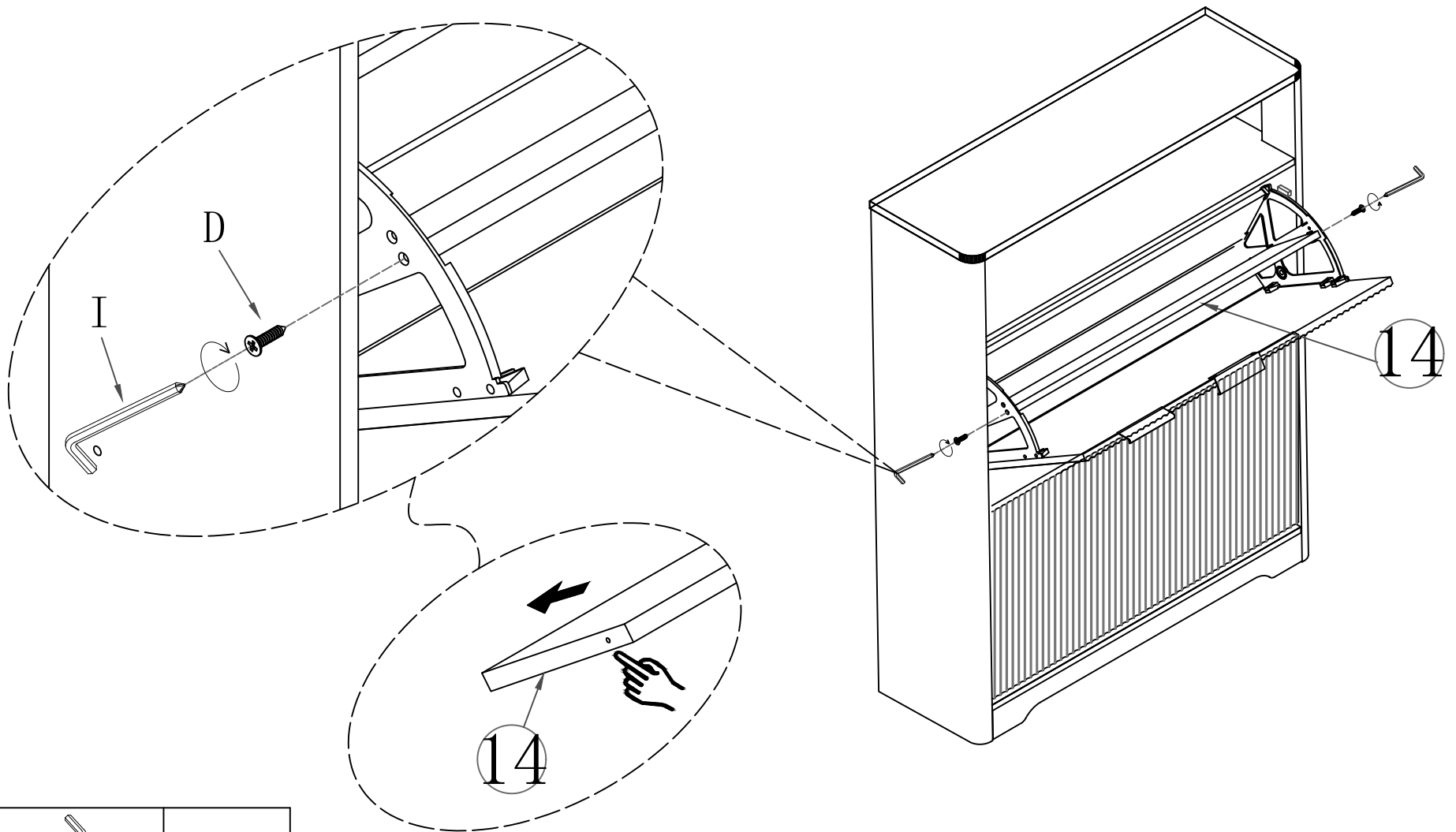
Step 18

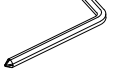



	Ix1pcs
	Fx2pcs
	Fx2pcs

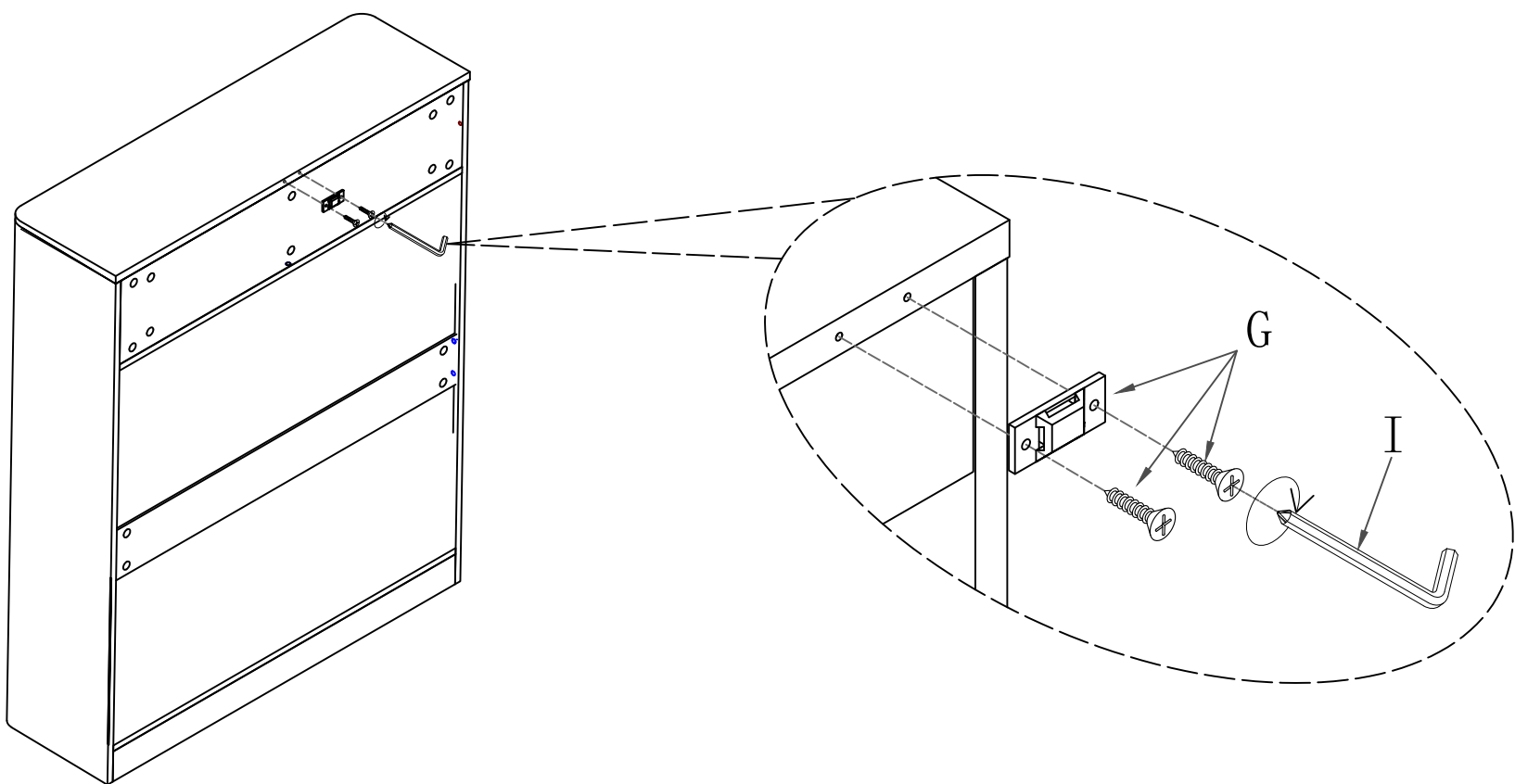
Assembly Steps (EN)



Step 19



	Ix1pcs
	Dx2pcs

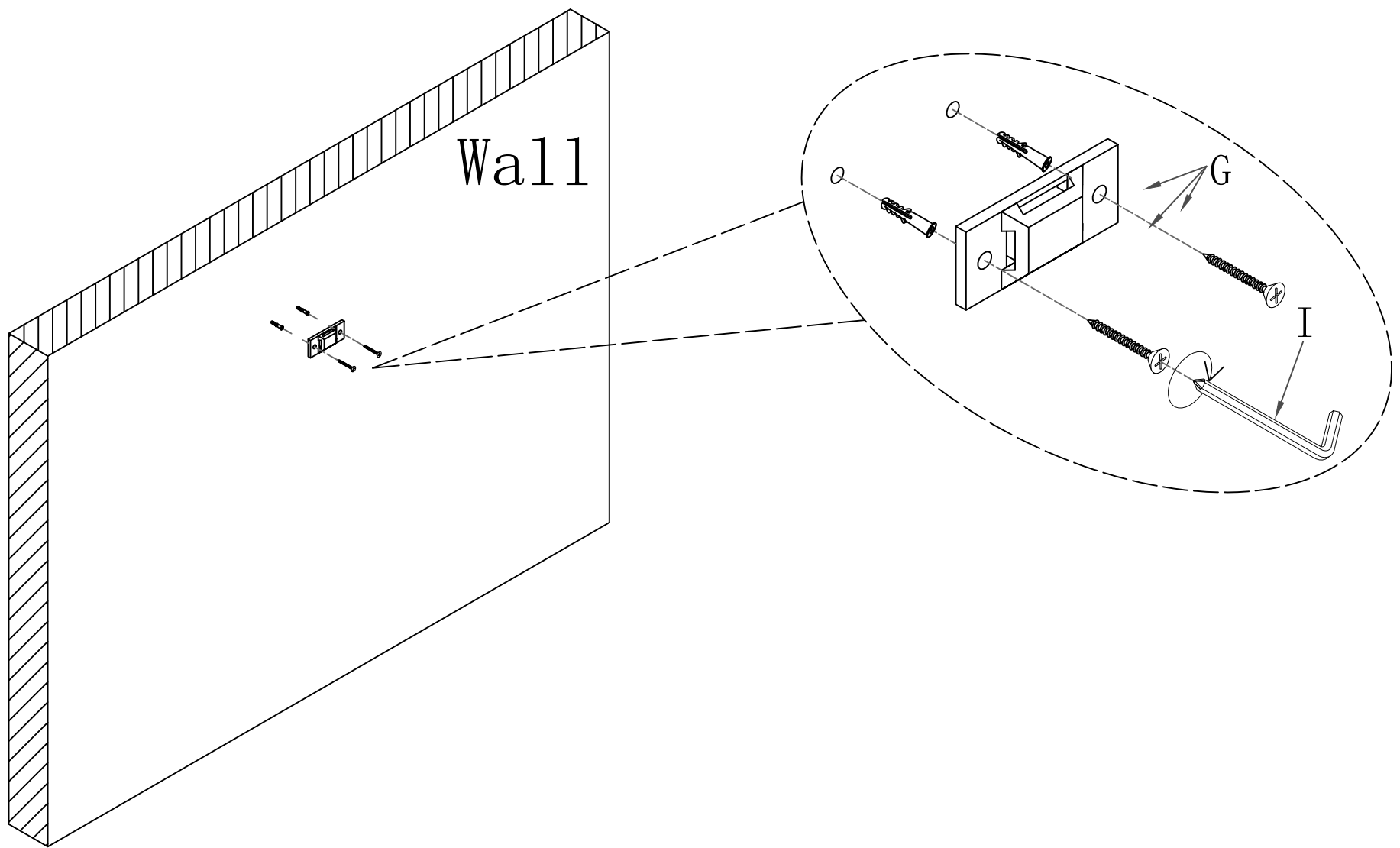
Step 20



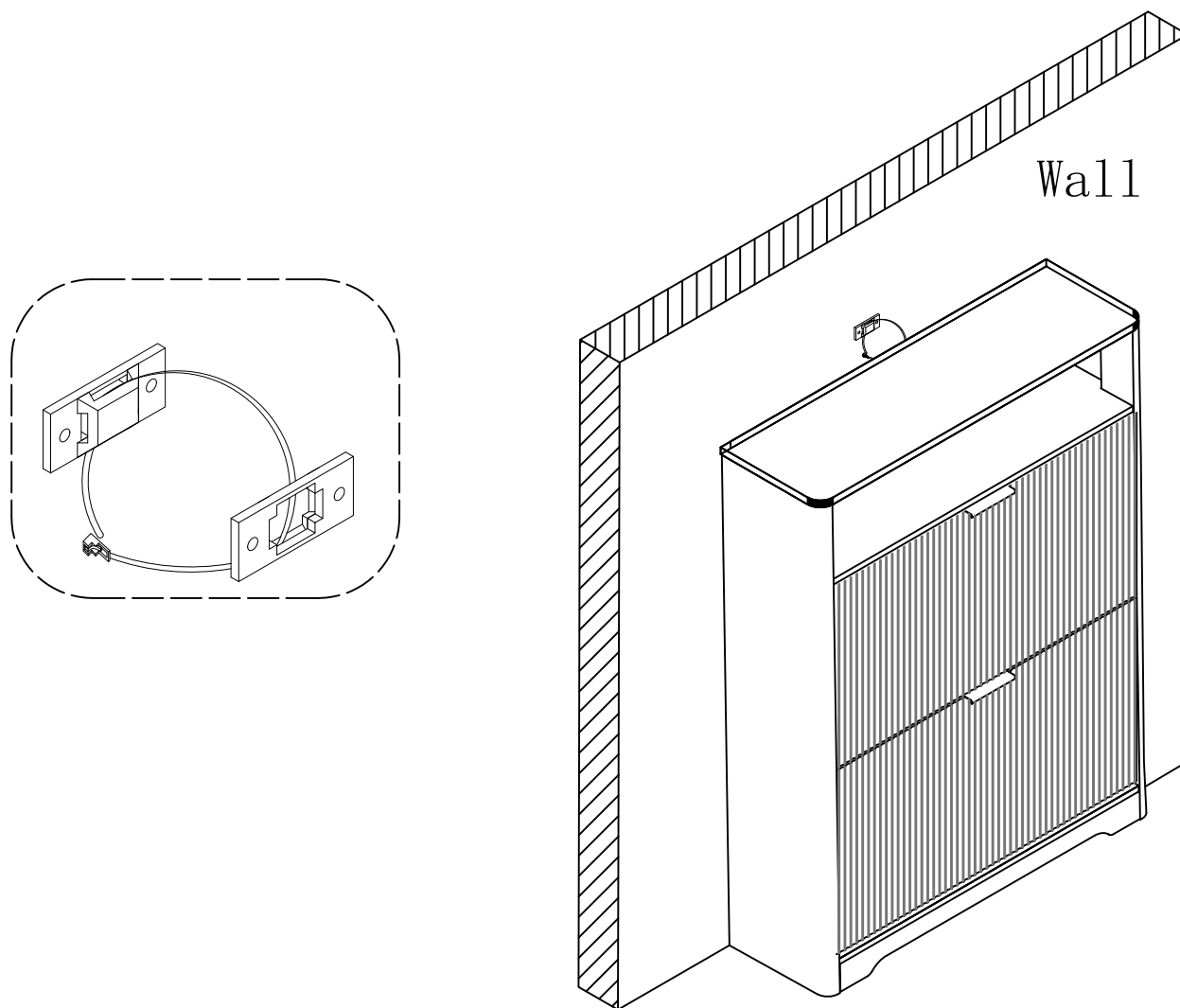
	Ix1pcs
	Gx2sets

Assembly Steps (EN)

Step 21



Step 22



Final