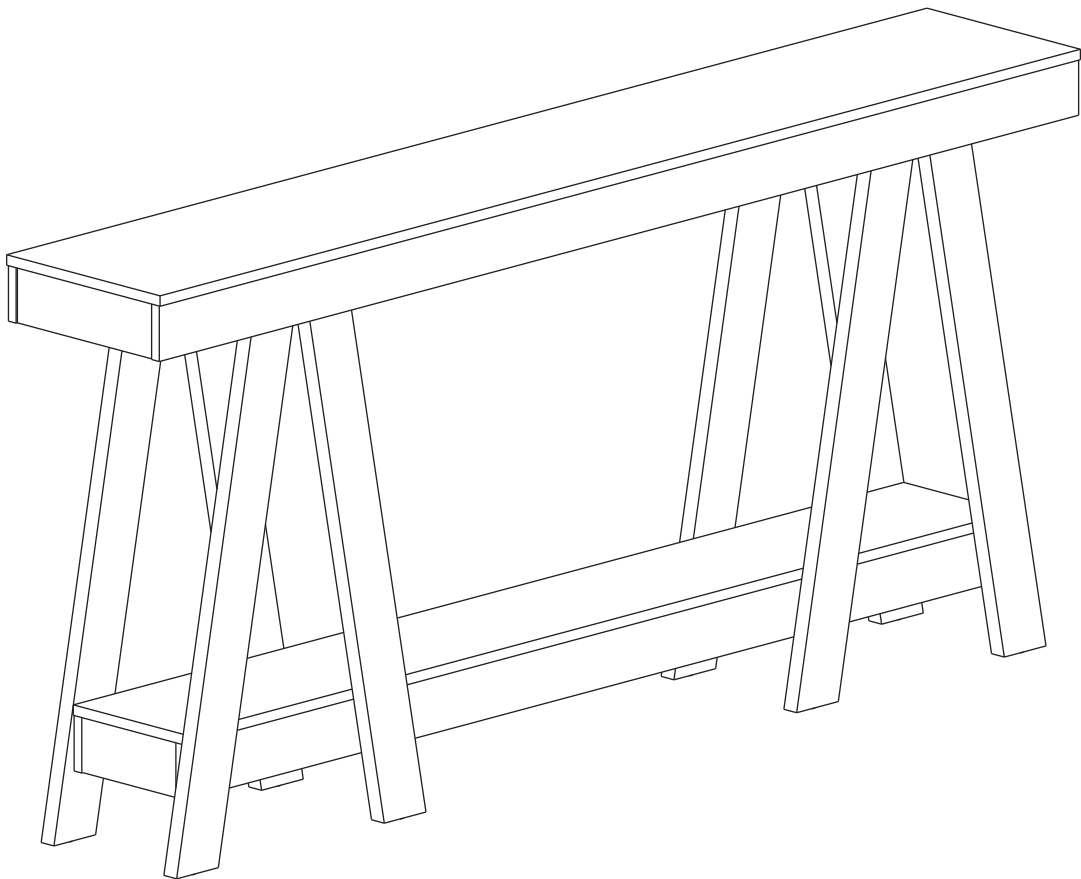
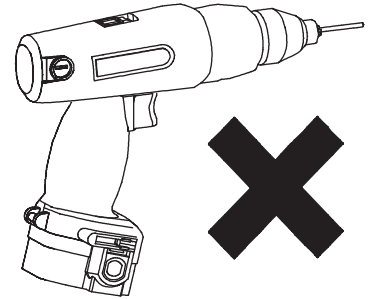
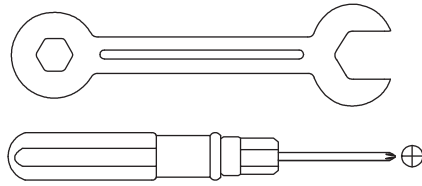
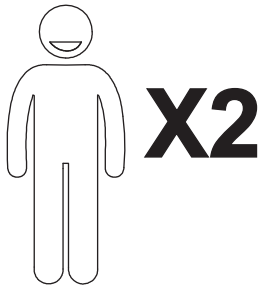


Assembly Instructions



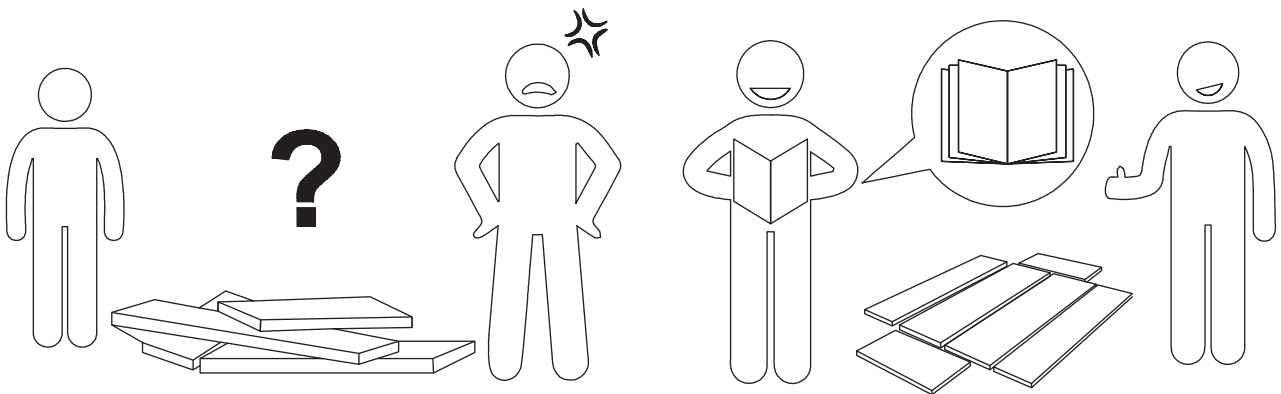
Warm Tips

1. Carefully read these instructions and keep them for future reference.
2. Check the parts list and confirm everything's there before starting assembly.
3. When assembling, put all parts on a soft, smooth surface like a carpet to avoid scratches.
4. Don't fully tighten screws until all parts are confirmed in place to avoid misalignment.



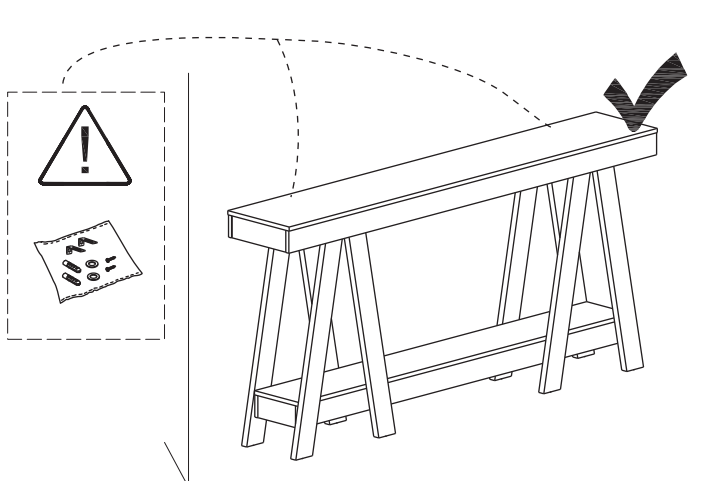
We recommend using hand tools for assembly.

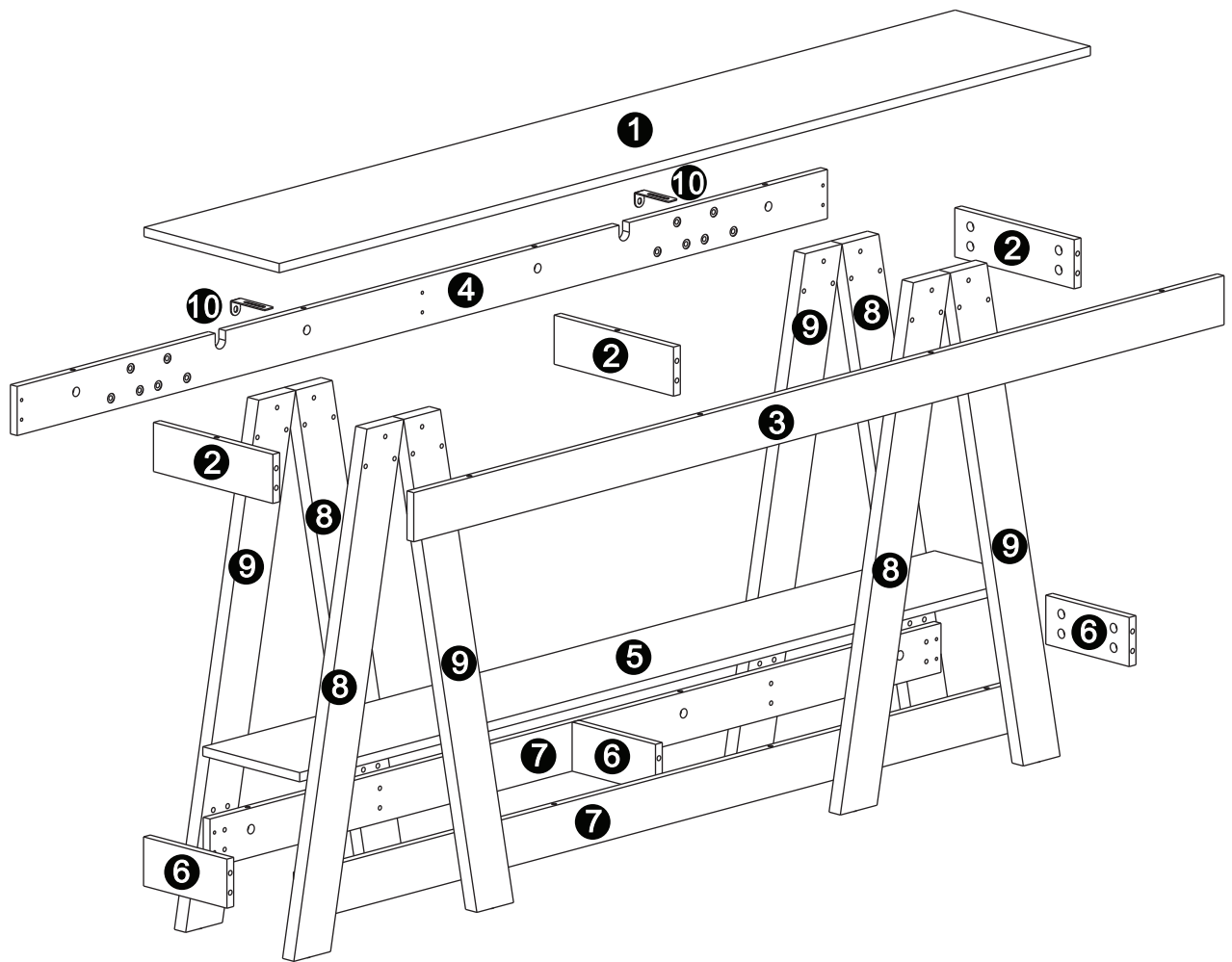
If an electric screwdriver is used, reduce power and torque to avoid damage to the product.



Install tip-over restraint provided

Use of tip-over restraints may only reduce but not eliminate, the risk of tip-over



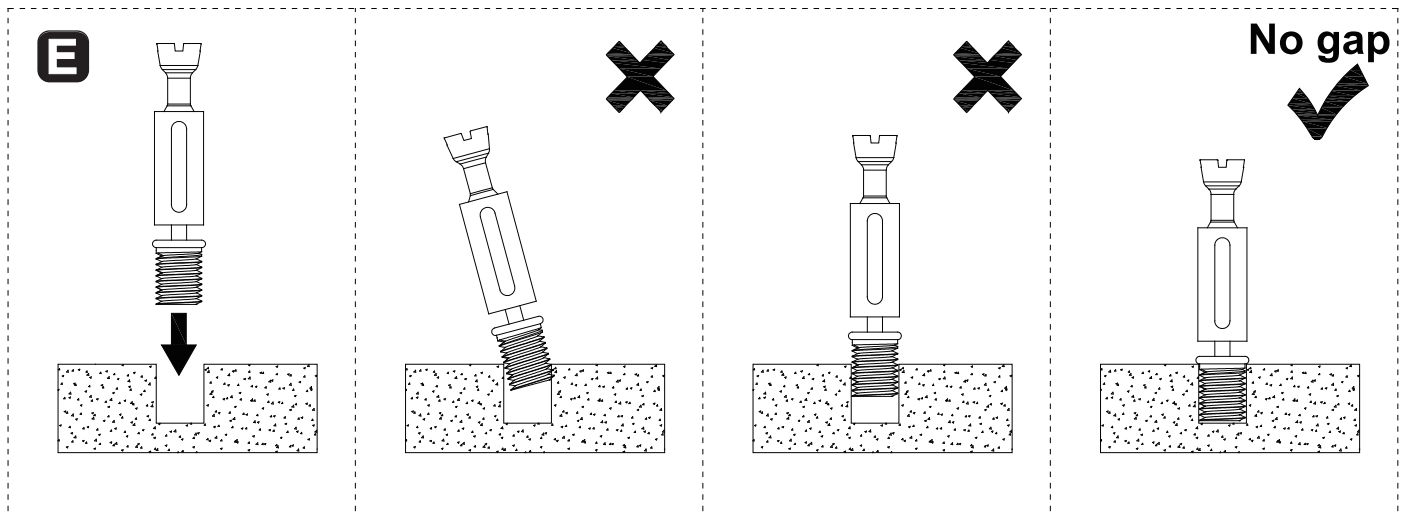


⚠ Caution

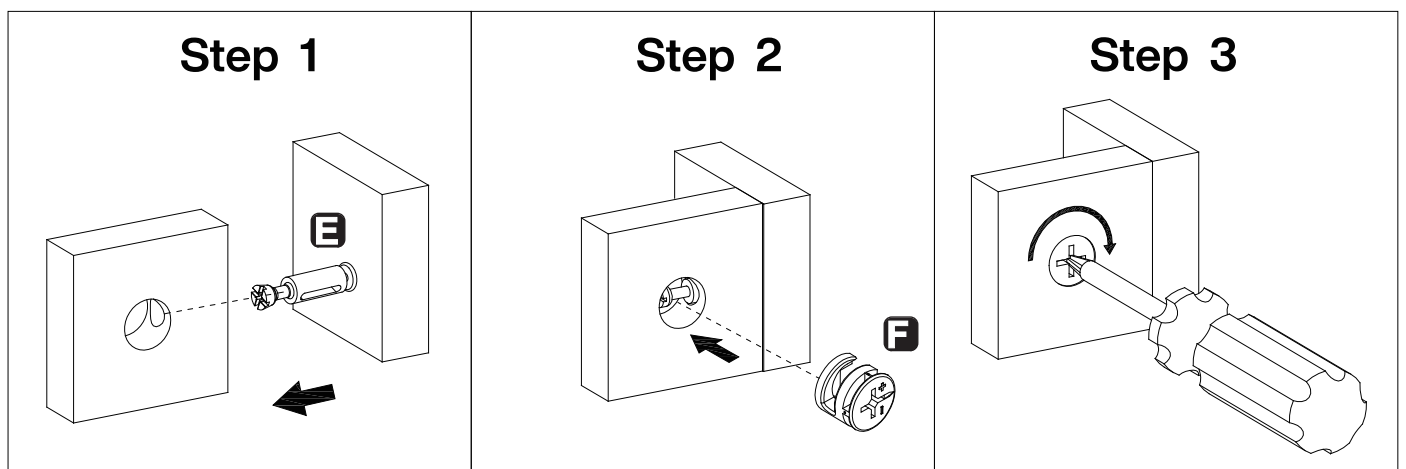
Make sure all parts are included. Most board parts are labeled or stamped on the raw edge. Contact us for a free replacement if you encounter any damaged or missing parts.

Installation of Cams and Pins

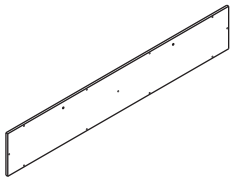
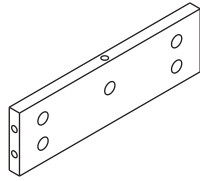
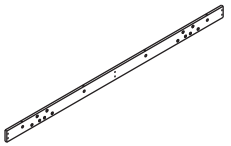
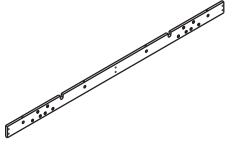
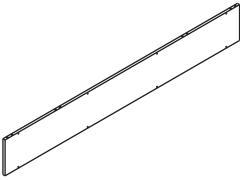
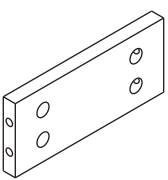
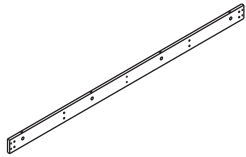


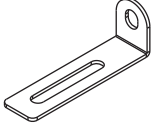
Read each step carefully before starting. Each step of instruction should be performed in the correct order. If these steps are not followed in sequence, assembly difficulties may occur.




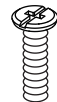
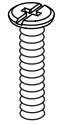



Screw the pin into the hole. Set the cams correctly by aligning the head of the cams with the lock pins. Lock the cam by turning the cam head with a screwdriver until it is tightened. Please do not use an electric screwdriver to assemble the unit.

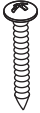





Parts List

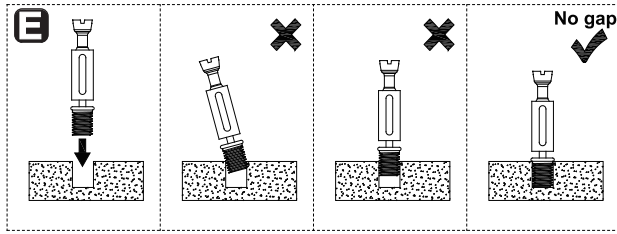
<p>1</p>  <p>1 pc</p>	<p>2</p>  <p>3 pcs</p>	<p>3</p>  <p>1 pc</p>	<p>4</p>  <p>1 pc</p>	<p>5</p>  <p>1 pc</p>
<p>6</p>  <p>3 pcs</p>	<p>7</p>  <p>2 pcs</p>	<p>8</p>  <p>4 pcs</p>	<p>9</p>  <p>4 pcs</p>	<p>10</p>  <p>2 pcs</p>


Hardware List

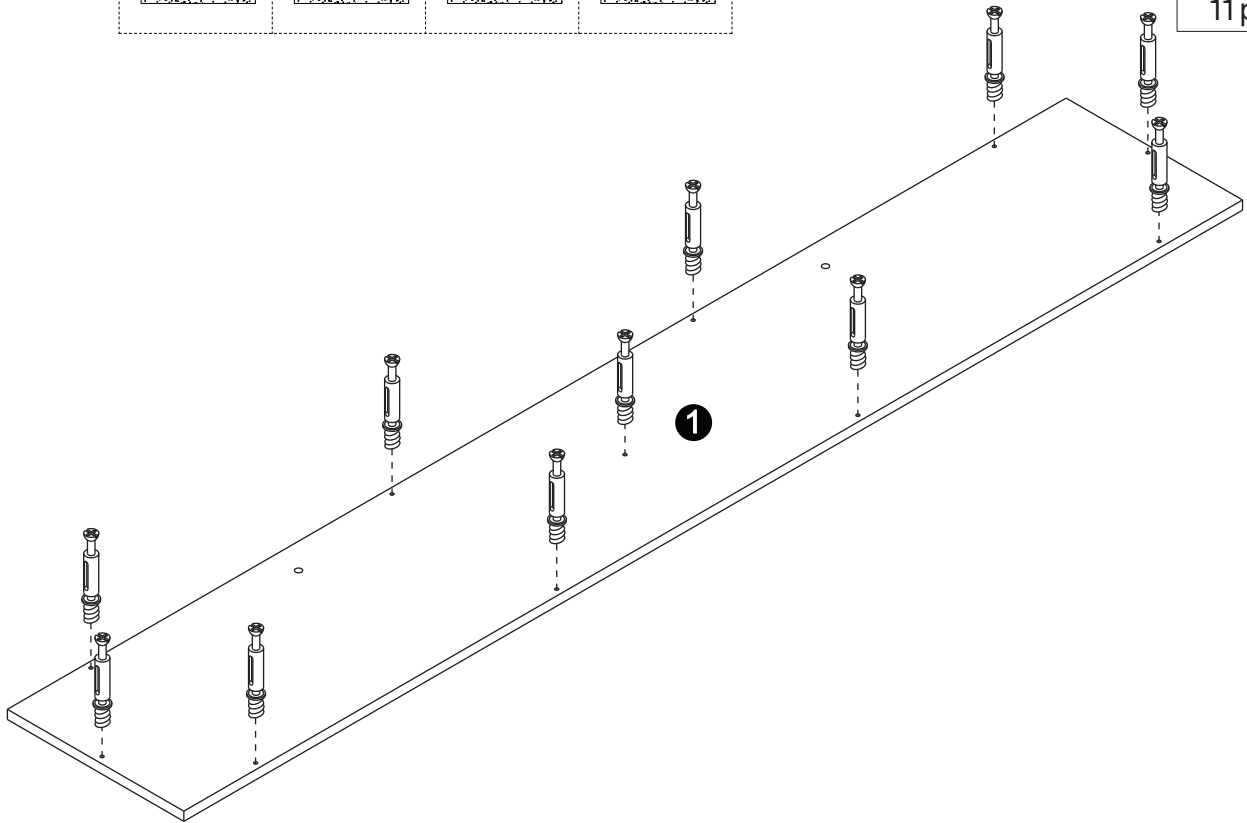
A	B	C	D	E	F
 <p>M6×12mm</p>	 <p>M6×25mm</p>	 <p>M6×35mm</p>	 <p>Ø8×30mm</p>	 <p>M6×44.5mm</p>	 <p>Ø15mm</p>
2 pcs	16 pcs	24 pcs	16 pcs	43 pcs	43 pcs

G	H	I	J		
 <p>4X24.5mm</p>	 <p>Ø16XØ6.2MM</p>				
2 pcs	2 pcs	2 pcs	1 pc		



1

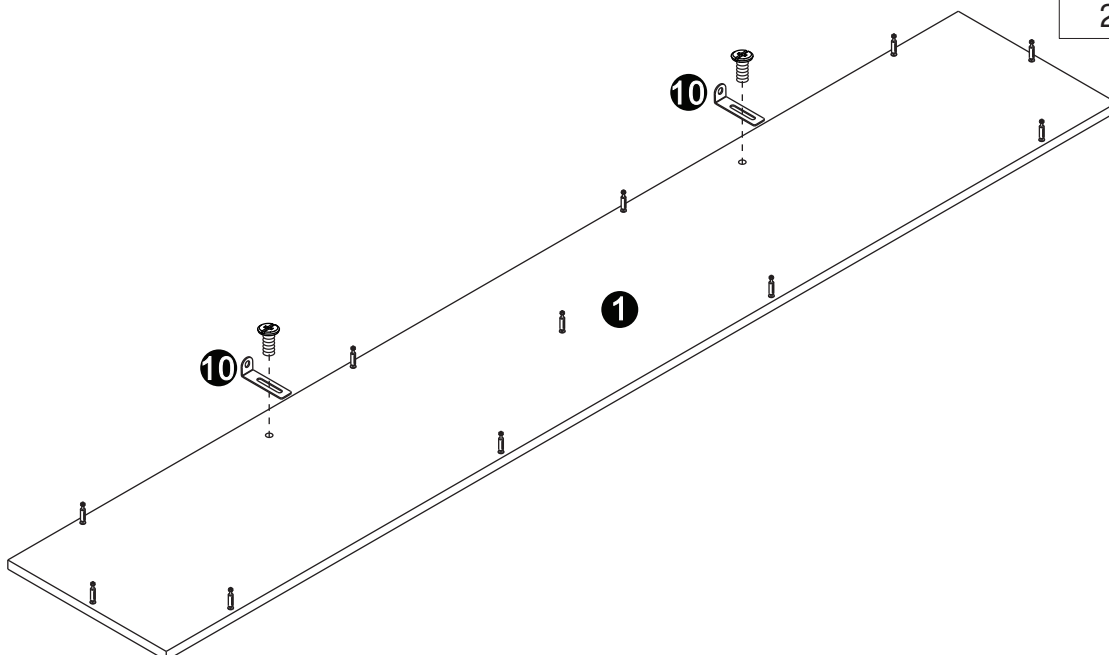


E

M6×44.5mm
11 pcs

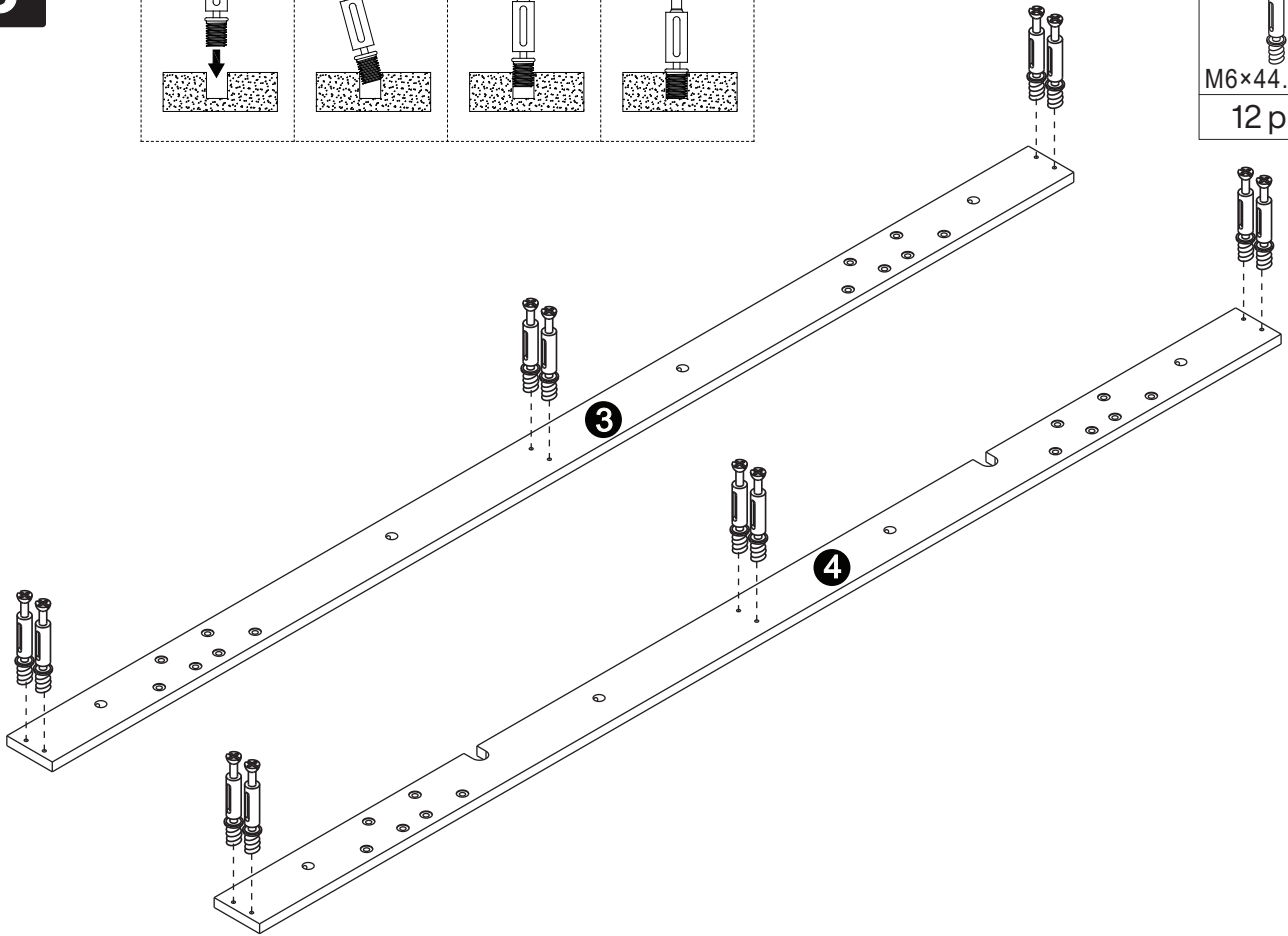
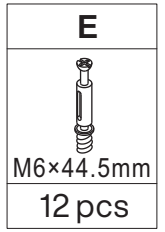
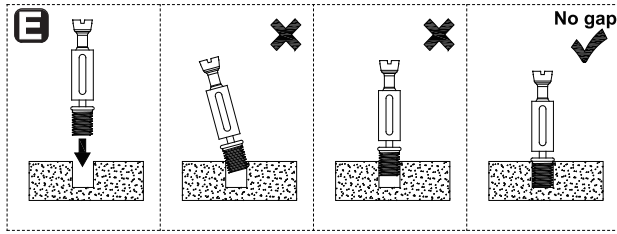


2

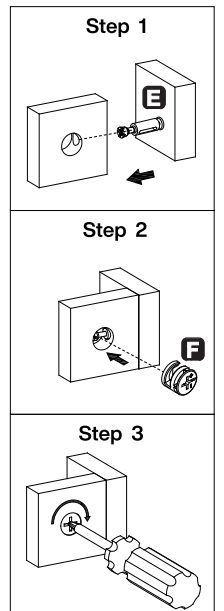
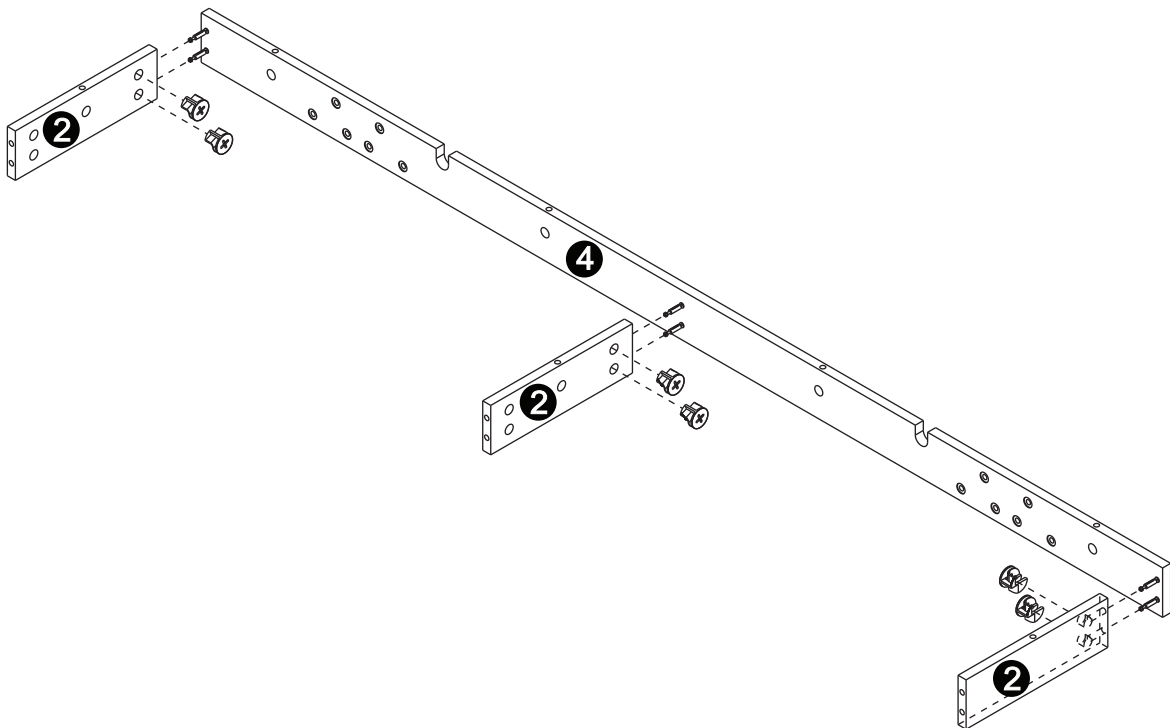
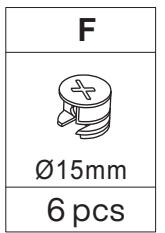
A	B
	
M6×12mm	M6×25mm
2 pcs	



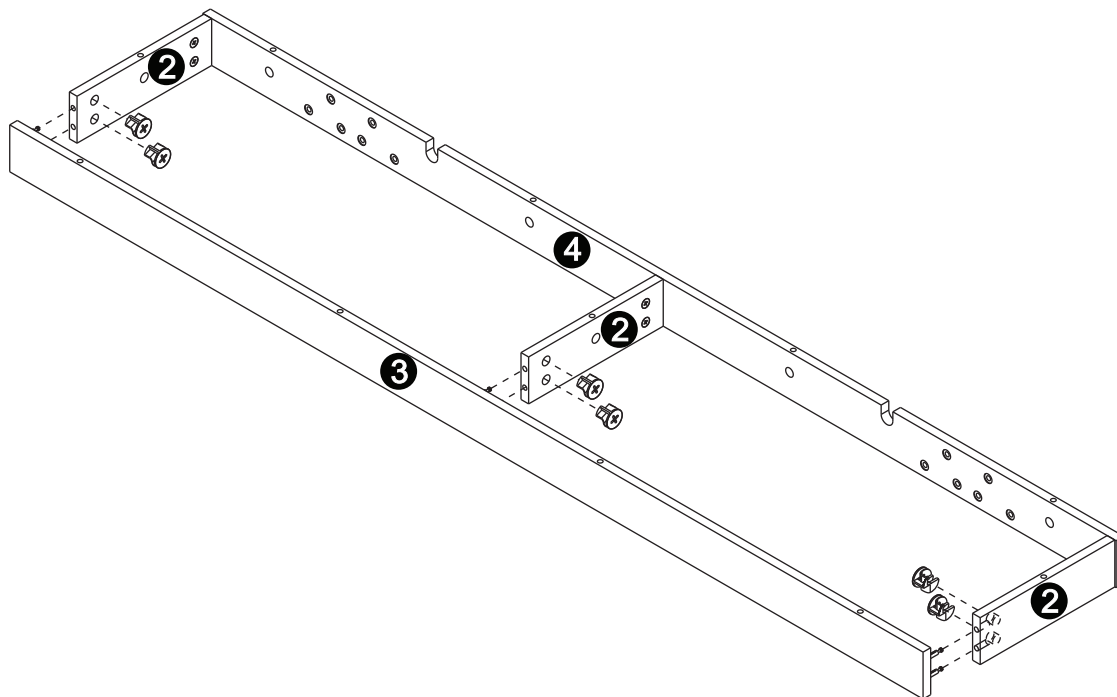
3




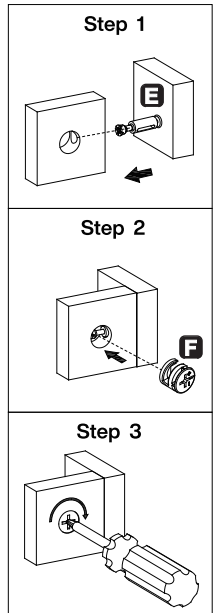
4



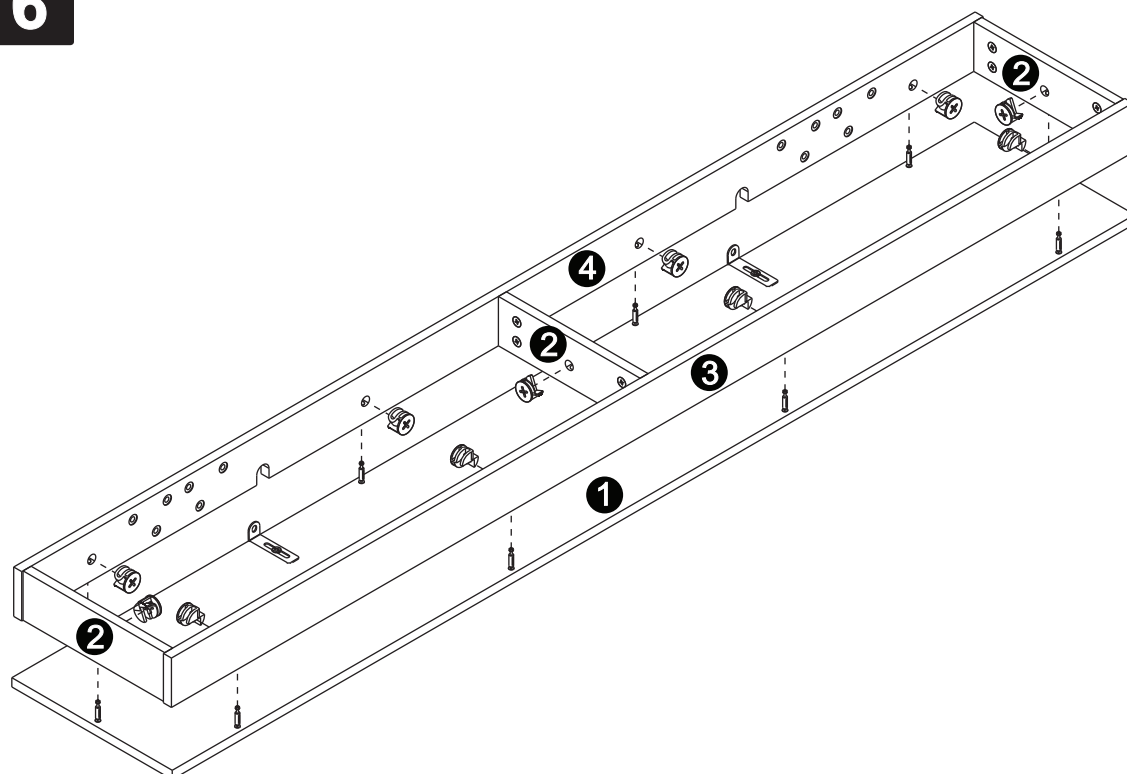
5




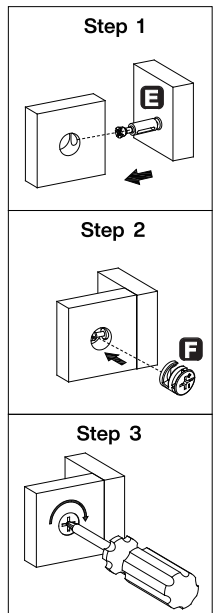
F

Ø15mm
6 pcs



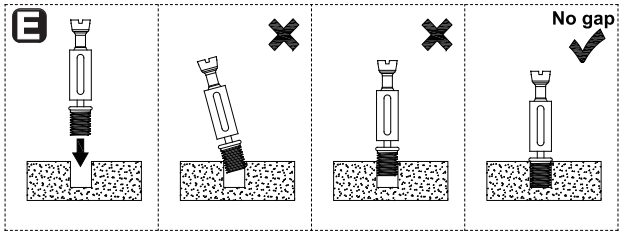
6




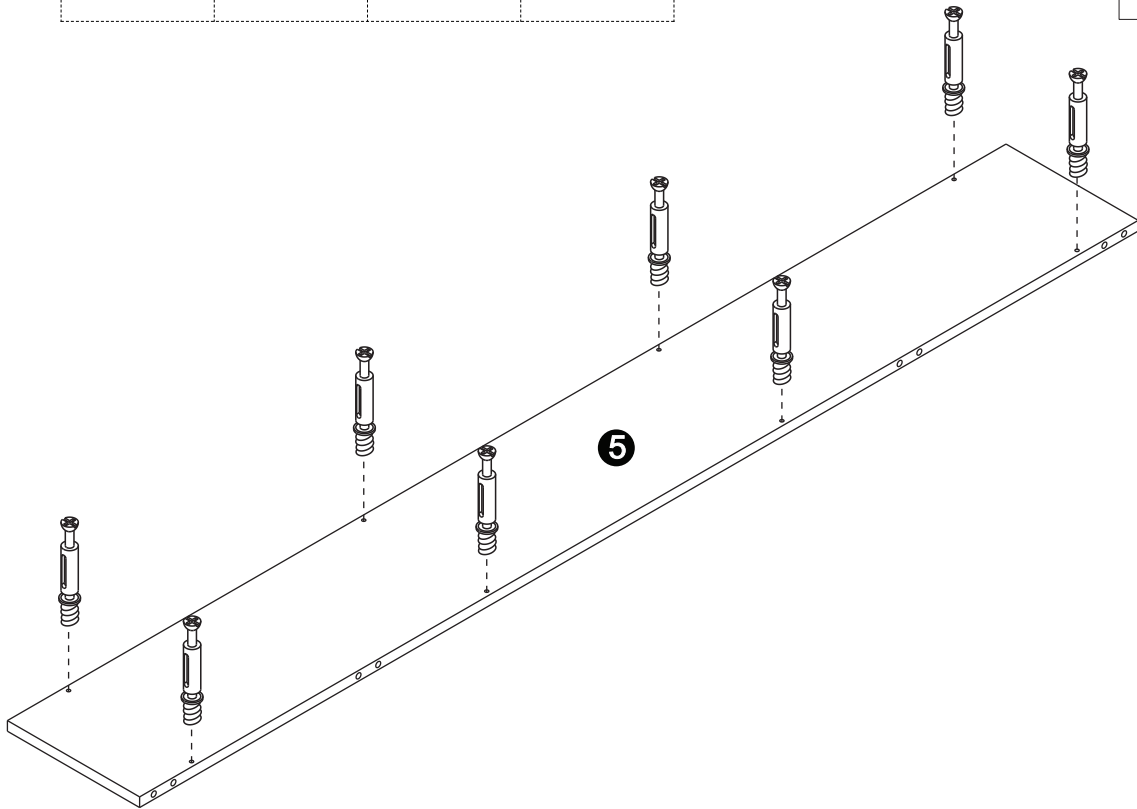
F

Ø15mm
11 pcs




7

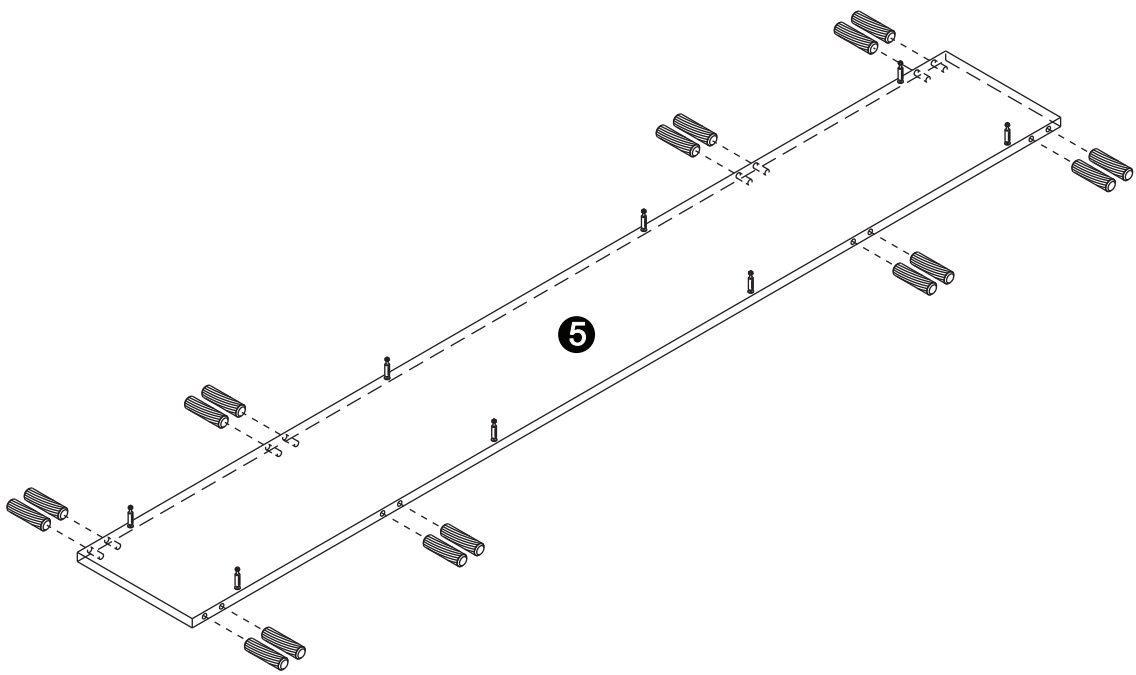


E

M6×44.5mm
8 pcs

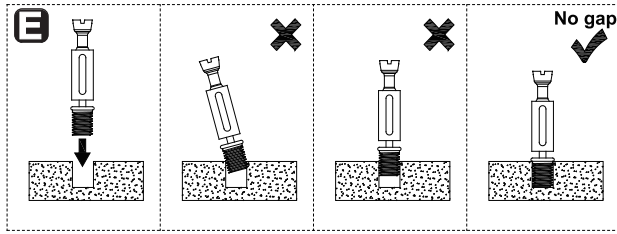



8

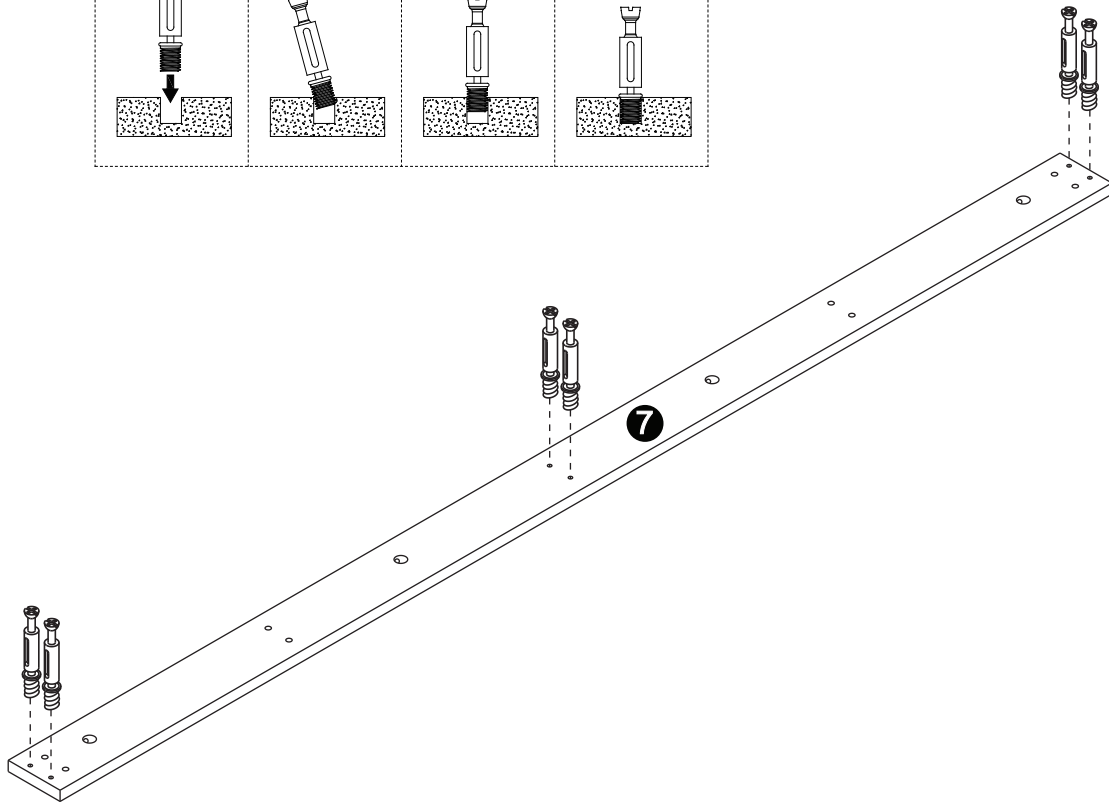
D

Ø8×30mm
16 pcs



9

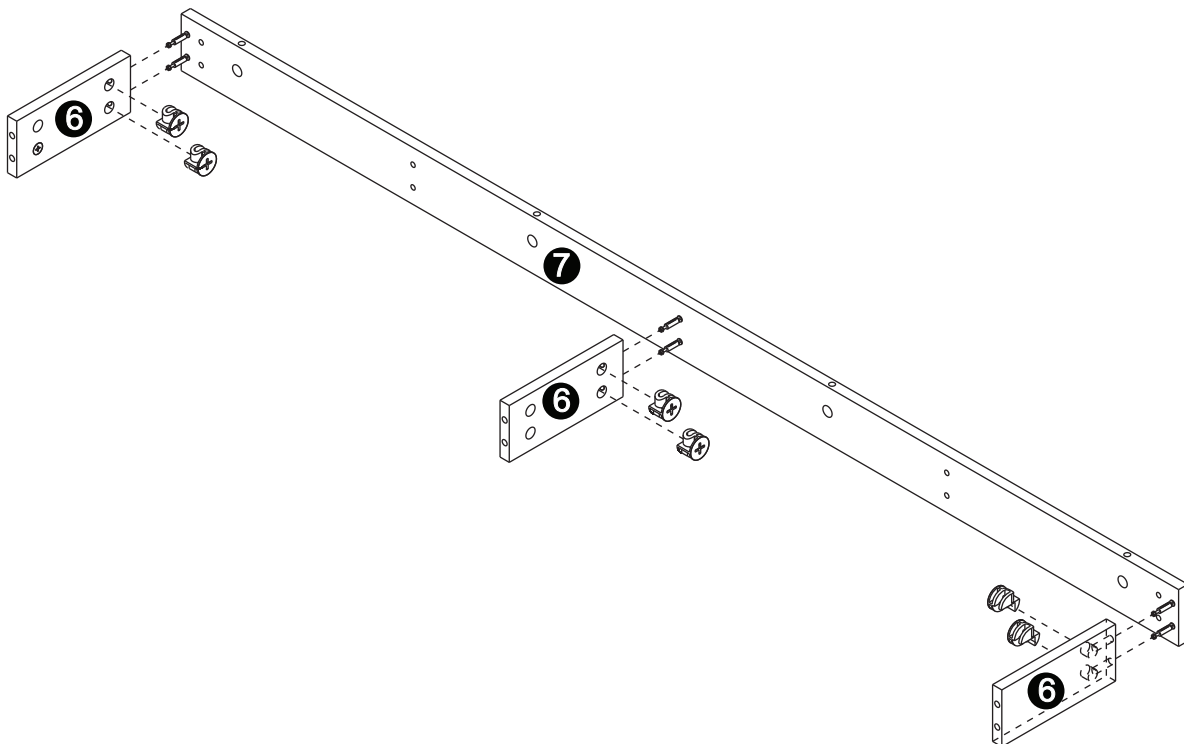



E

M6x44.5mm
12 pcs

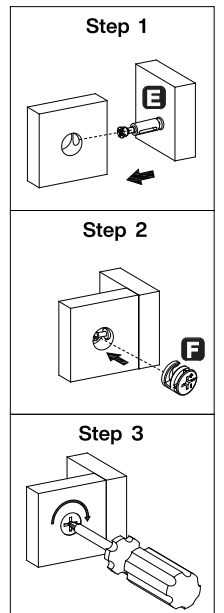


×2

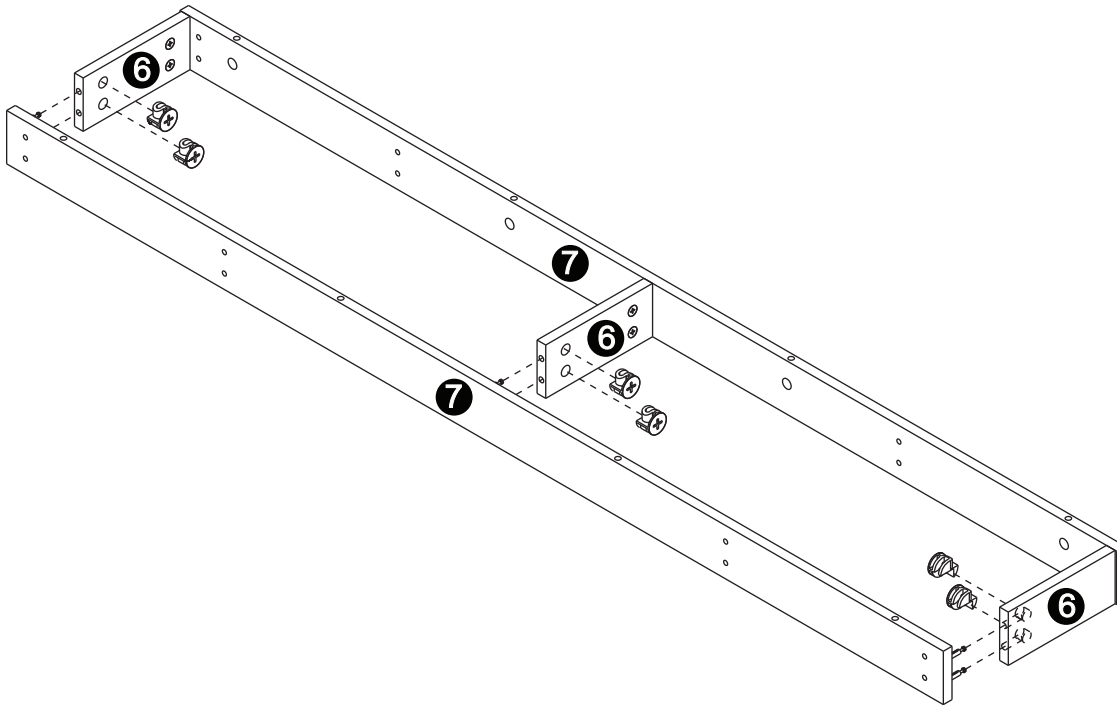
10




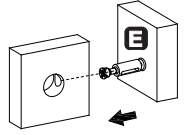
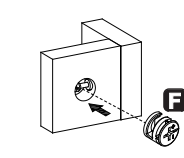
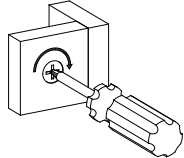
F

Ø15mm
6 pcs



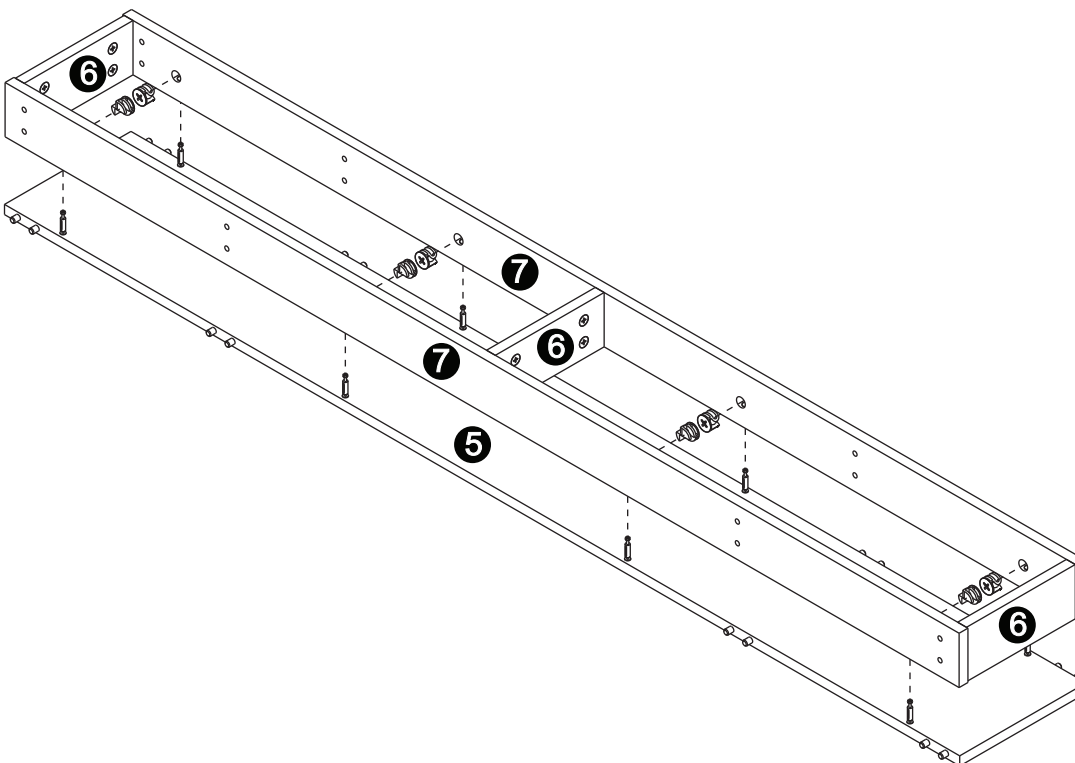
11




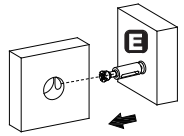
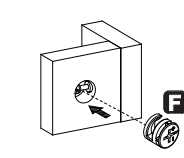
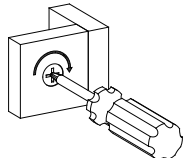
F

Ø15mm
6 pcs

Step 1

Step 2

Step 3




12

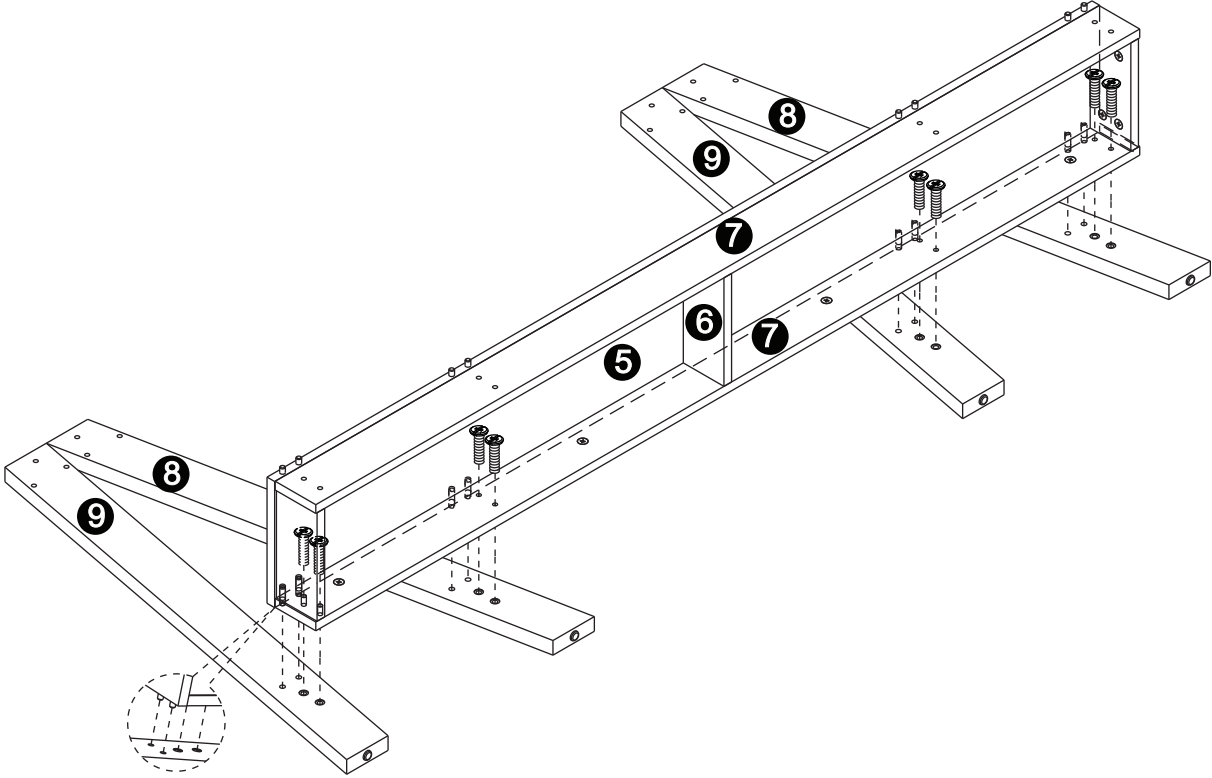


F

Ø15mm
8 pcs



Step 1

Step 2

Step 3


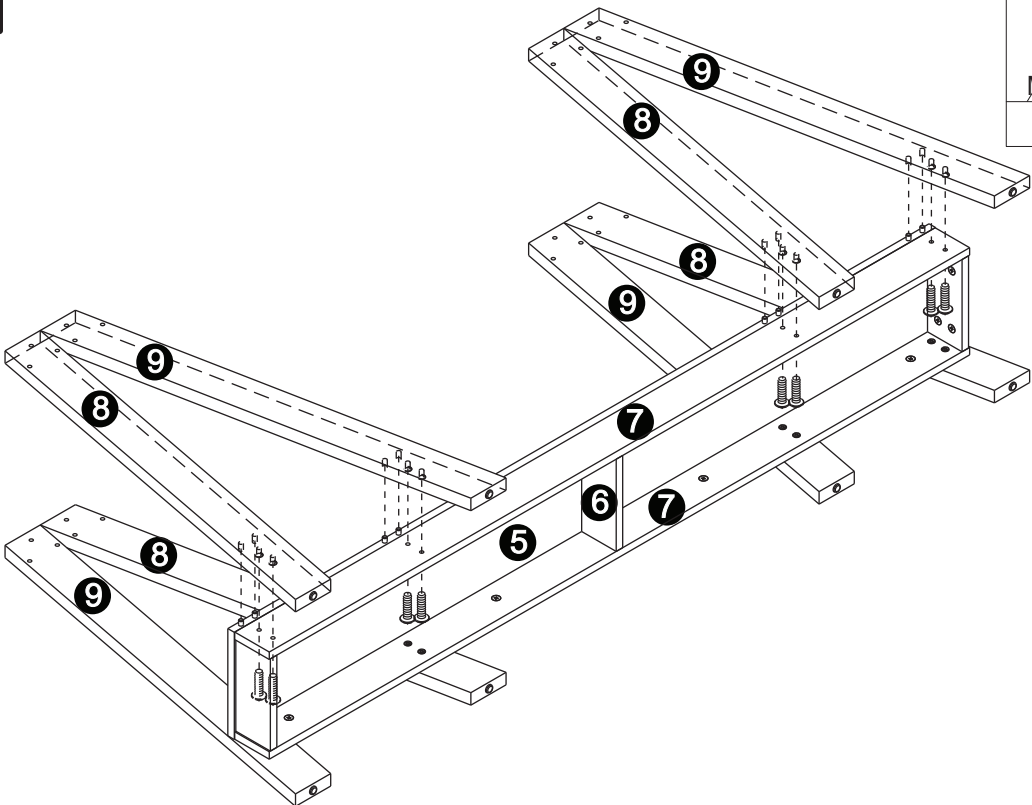
13

C	B
	
M6×35mm	M6×25mm
	8 pcs

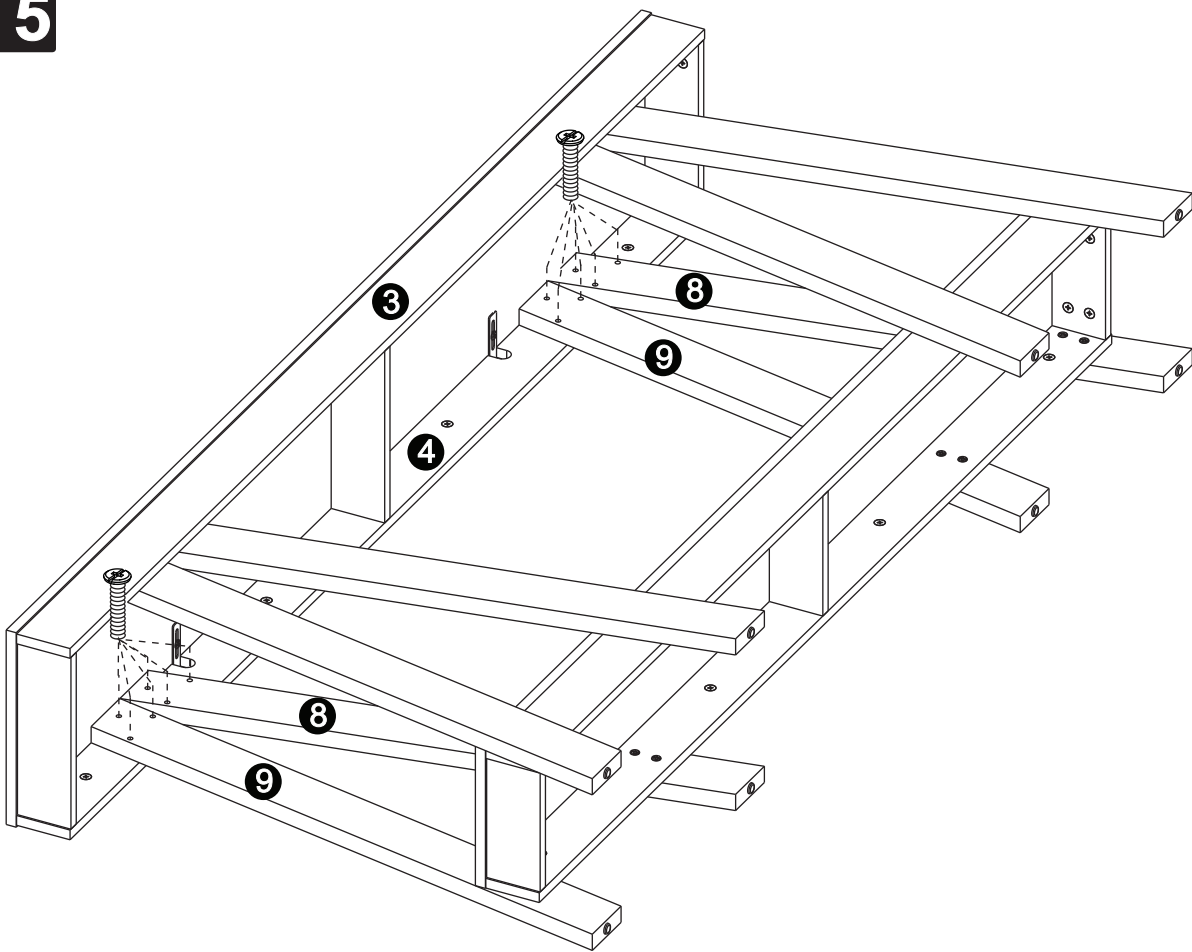


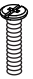
14

C	B
	
M6×35mm	M6×25mm
	8 pcs

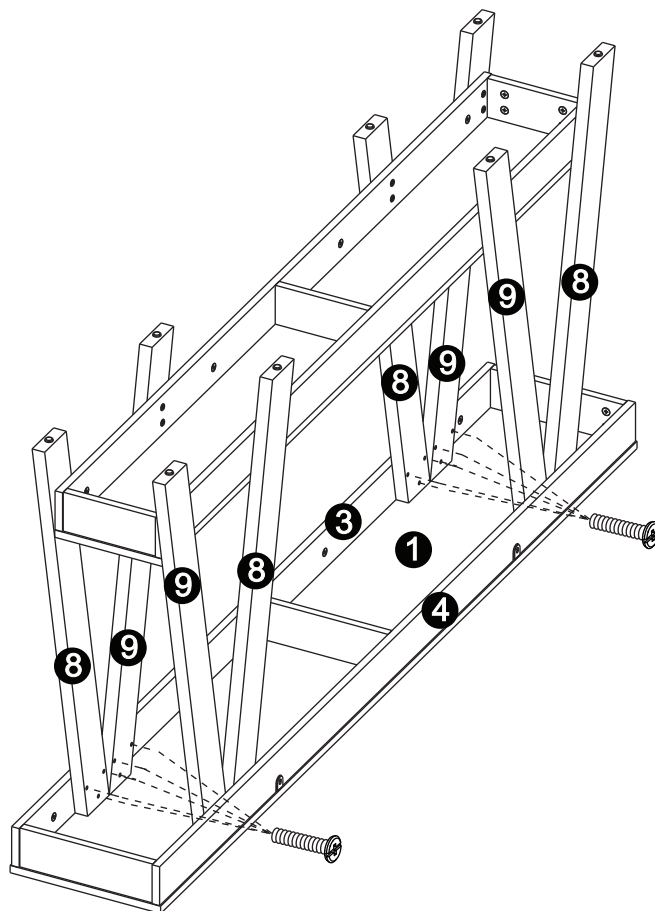


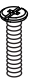
15

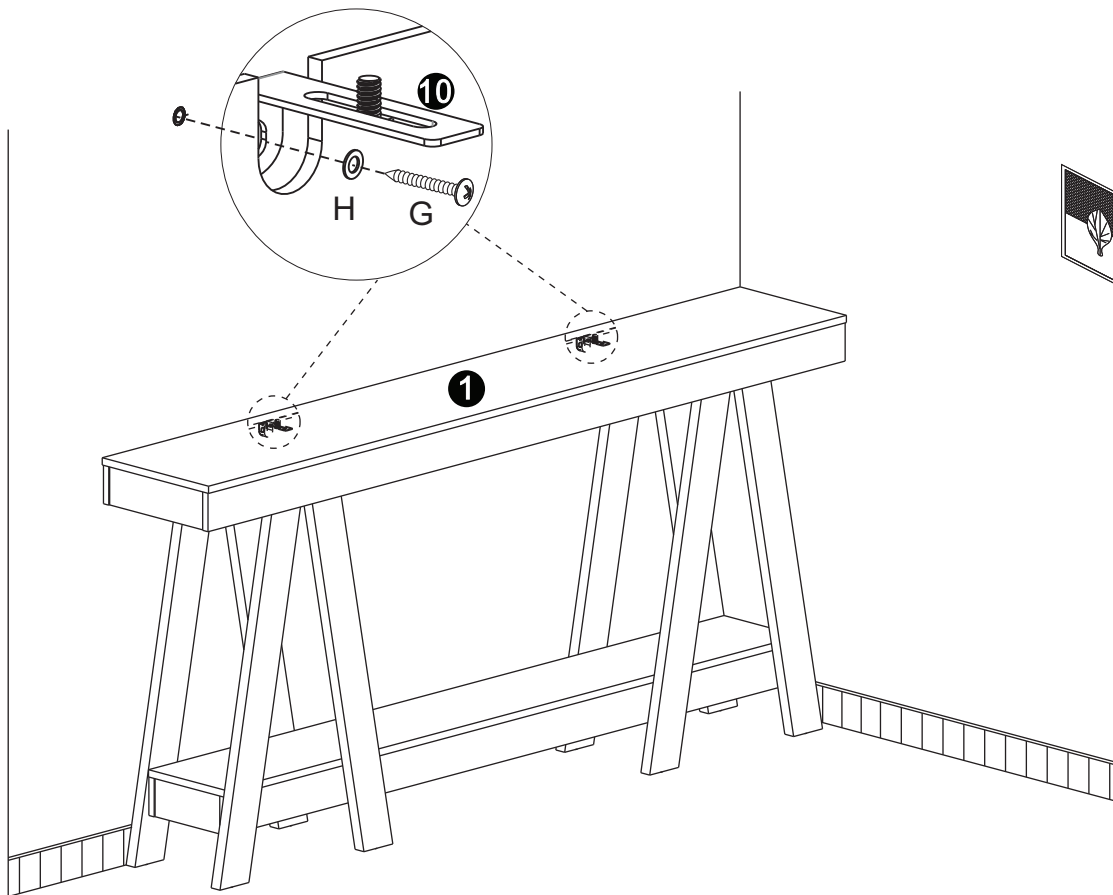
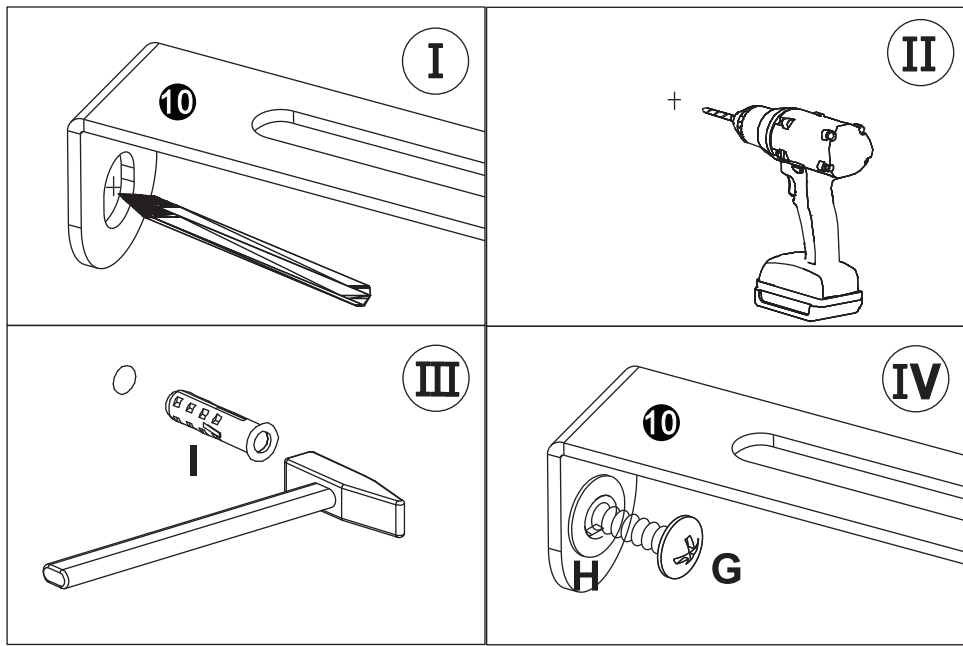


C

M6×35mm
12 pcs

16



C

M6×35mm
12 pcs



Thank you for your support!

