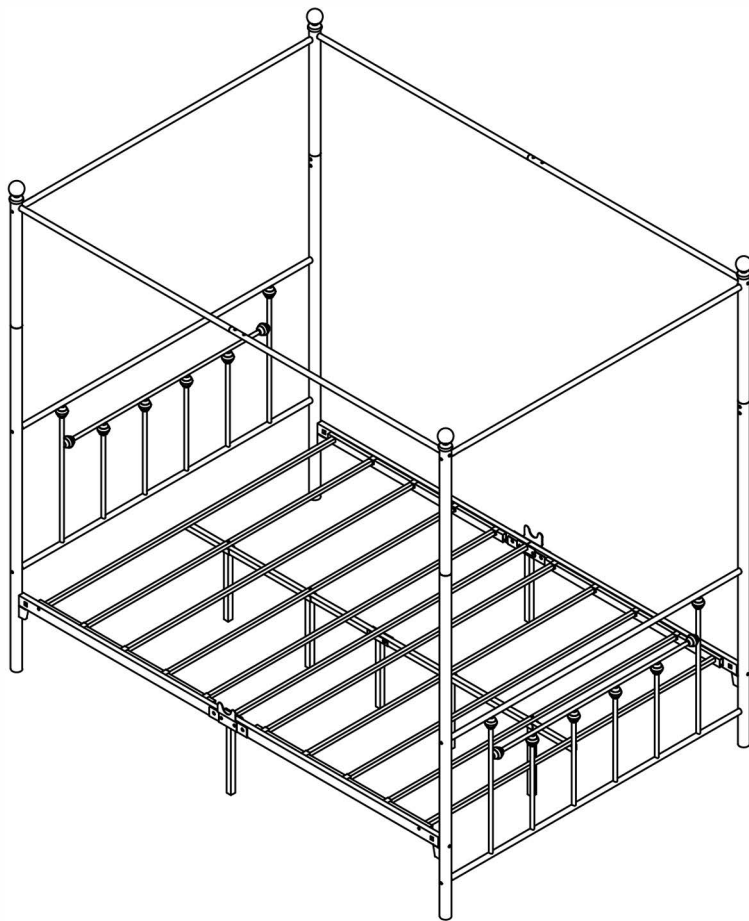


ASSEMBLY INSTRUCTION



WARRANTY:

We stand behind our products & service with confidence! If parts damaged or missing please feel free to contact us for a FREE REPLACEMENT.

We warranty this product to be free from defects in materials. This warranty covers one year from the date of original purchase.

NOTES:






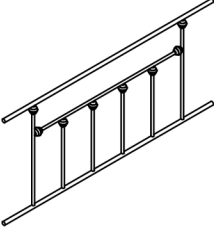
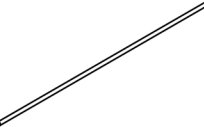
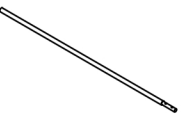

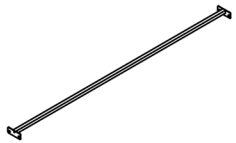




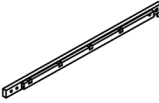
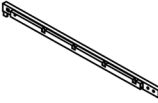
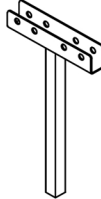

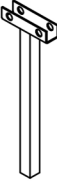












- The item is only intended to be used indoors. The product must be assembled and used in accordance with the provisions of the manual.
- It is recommended that assembly is undertaken by about 2 adults. Please read assembly instructions before assembly and strictly adhere to each step outlined. Estimated assembly time is 30 minutes.

WARNING:

- **WARNING FOR YOUNG CHILDREN** - This product contains small components, please ensure that they are kept away from small children while assembling.

1

PARTS LIST

 1PCS	 1PCS	 1PCS	 1PCS	 4PCS	 2PCS	 2PCS	 2PCS	 2PCS	 1PCS	 4PCS
 4PCS	 2PCS	 2PCS	 2PCS	 2PCS	 2PCS	 4PCS	 1PCS	 4PCS	 2PCS	 1/4*85 4PCS
 1/4*50 24PCS	 1/4*40 10PCS	 1/4*13 12PCS	 4PCS	 1/4 4PCS	 4PCS	 1/4 10PCS	 1/4 2PCS	 2PCS		

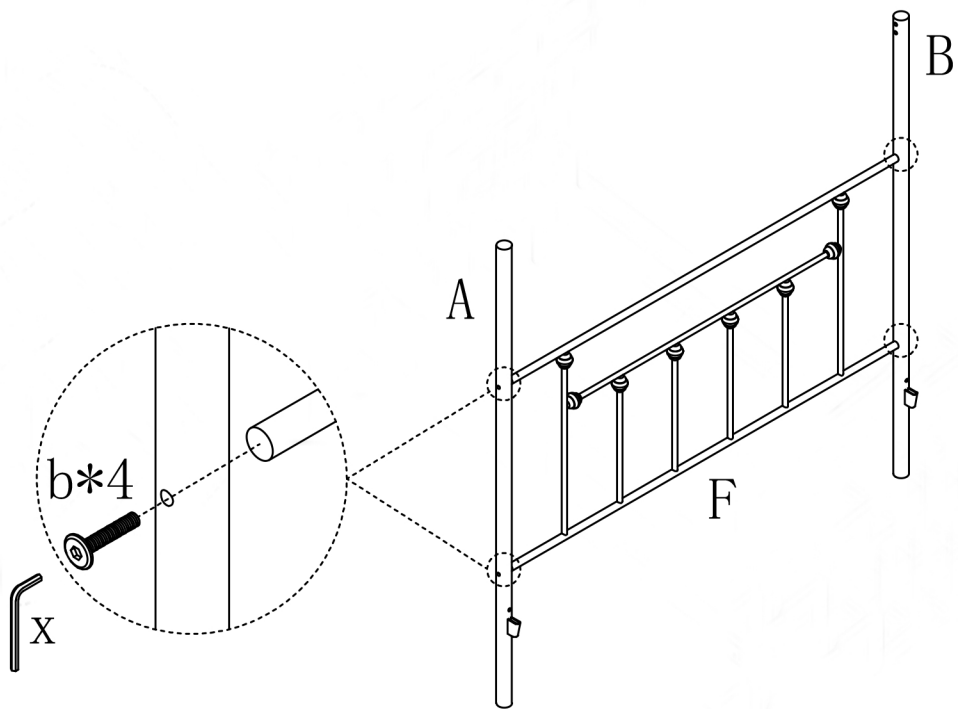
IMPORTANT:

Please check parts list before you start to assembly. If parts damaged or missing. Contact your seller for a FREE REPLACEMENT. Please provide your order number, a brief message about the issue, and your shipping address. Thank you!

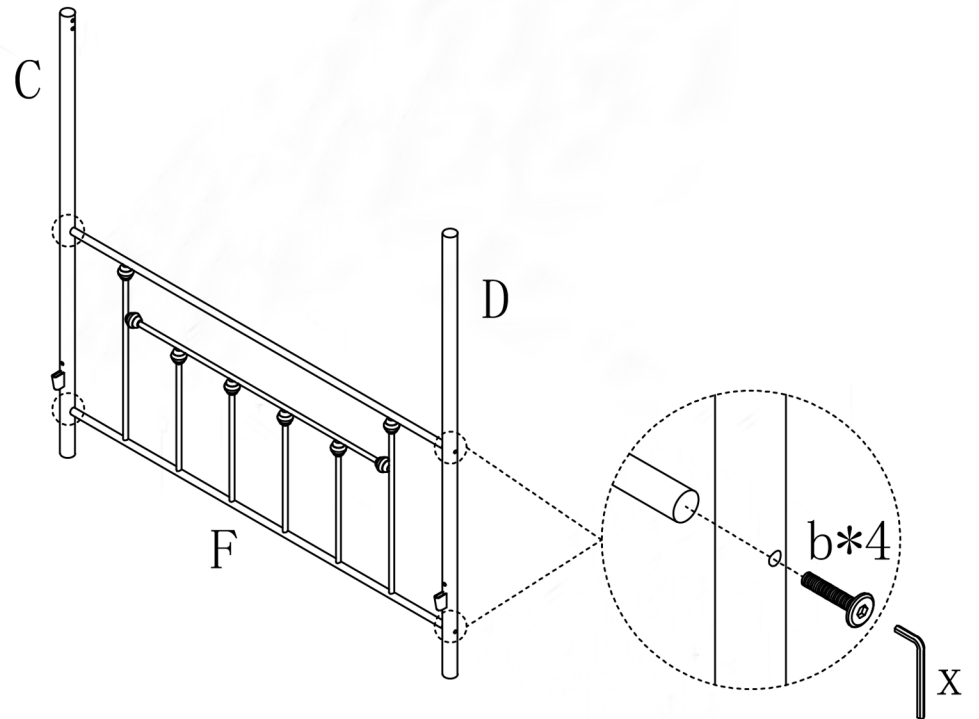
2

NOTE: PLEASE DO NOT TIGHTEN THE BOLTS UNTIL ALL FIXED

1



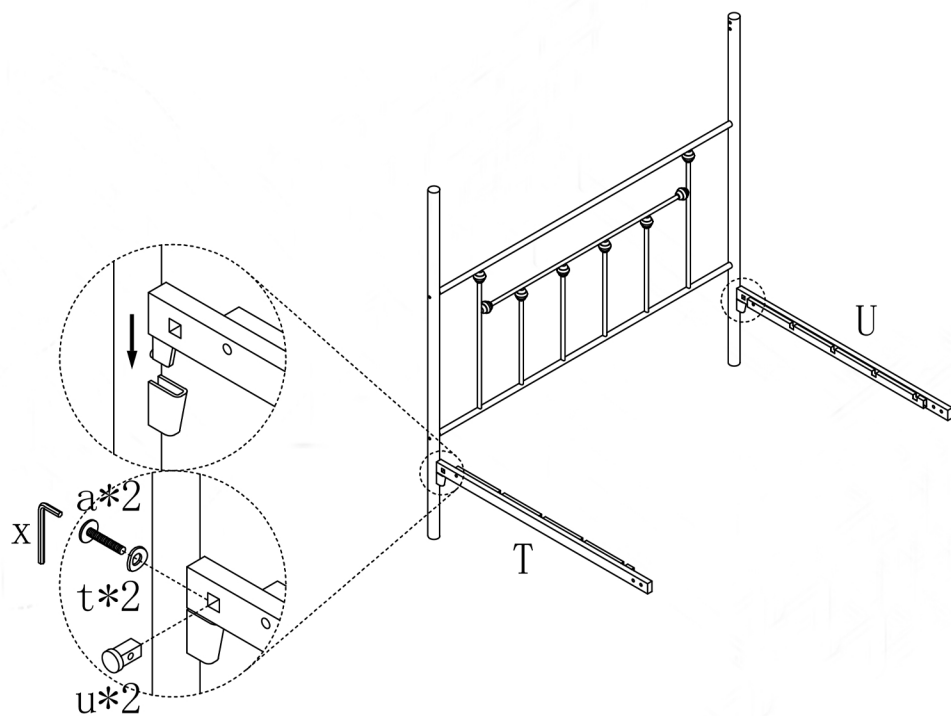
2



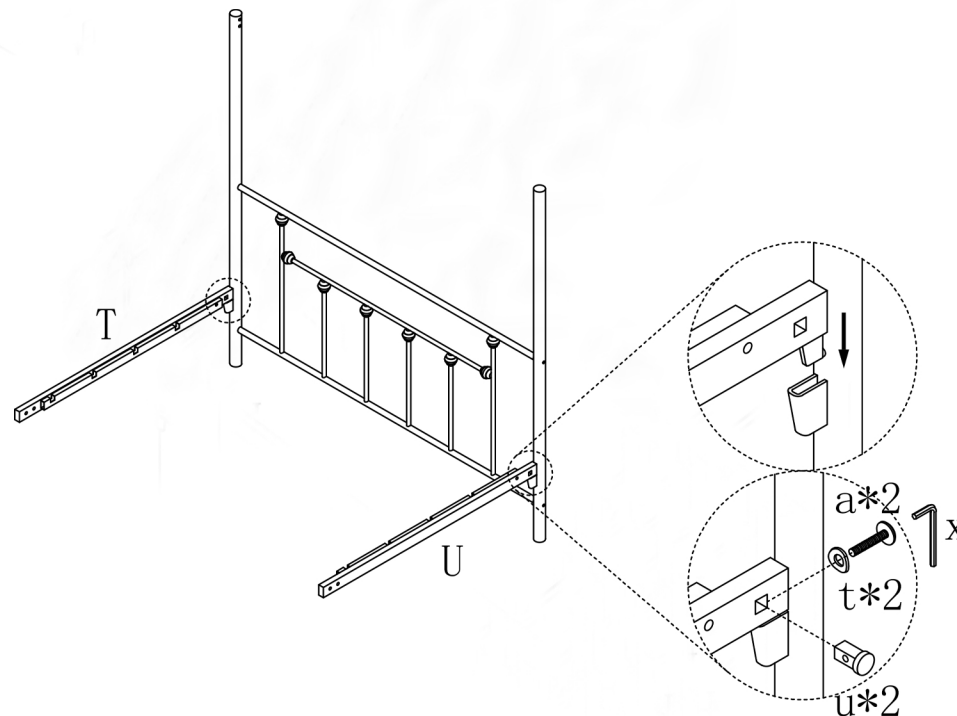
3

NOTE: PLEASE DO NOT TIGHTEN THE BOLTS UNTIL ALL FIXED

3



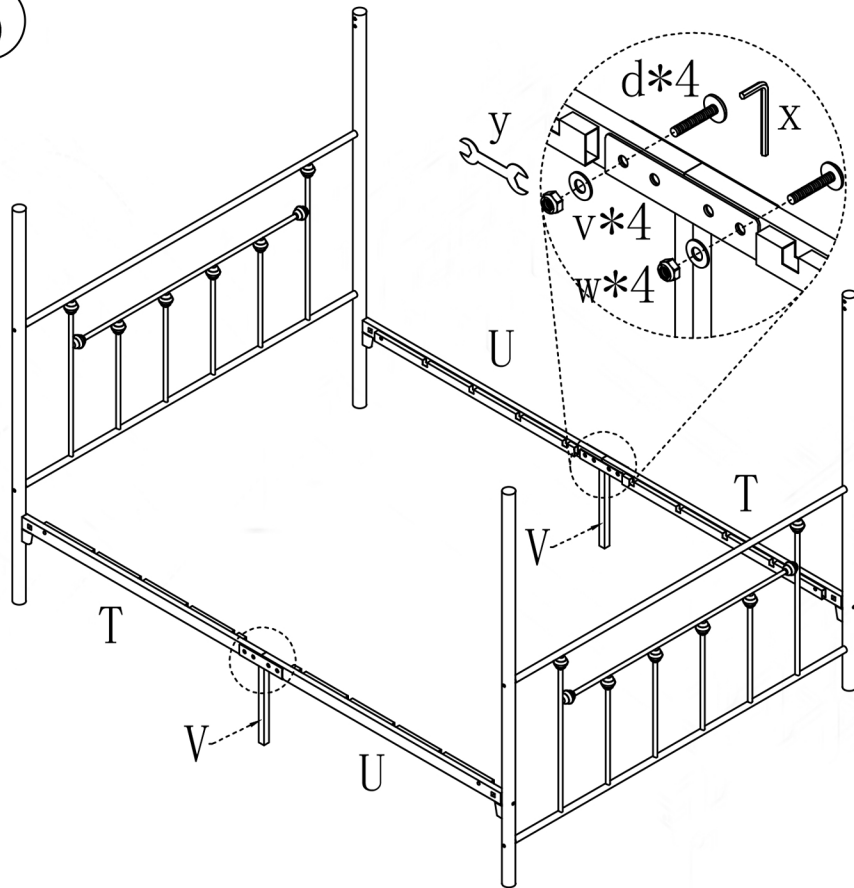
4



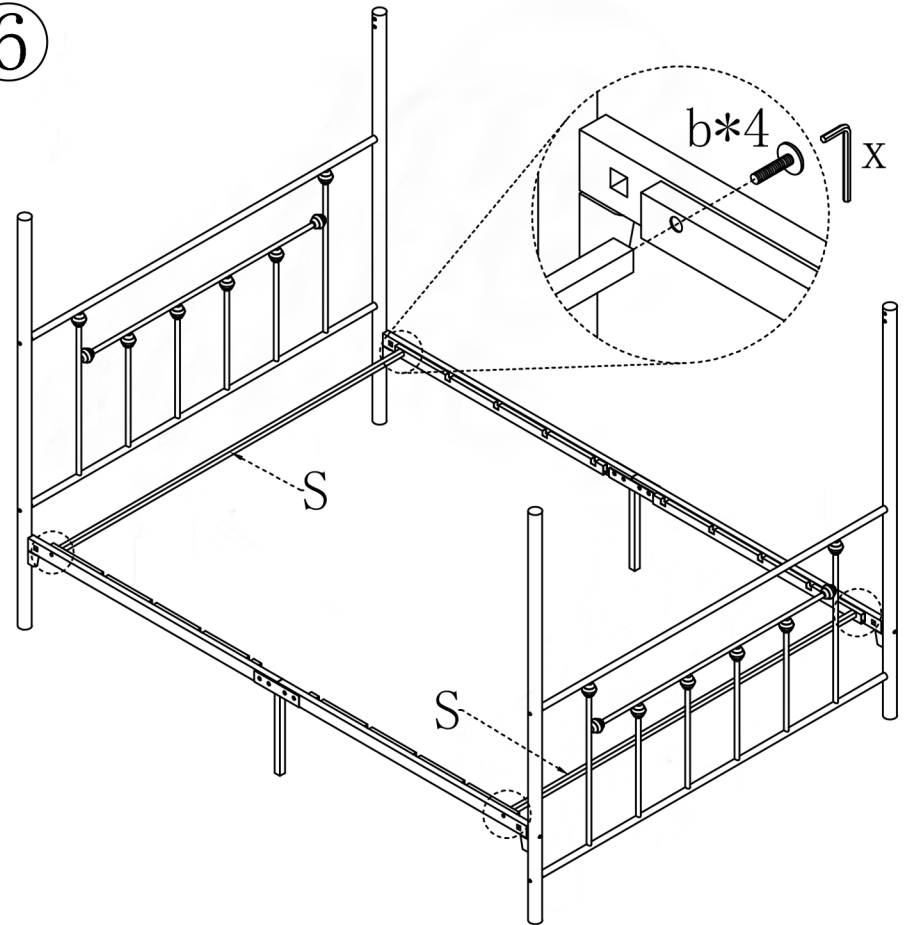
4

NOTE: PLEASE DO NOT TIGHTEN THE BOLTS UNTIL ALL FIXED

5



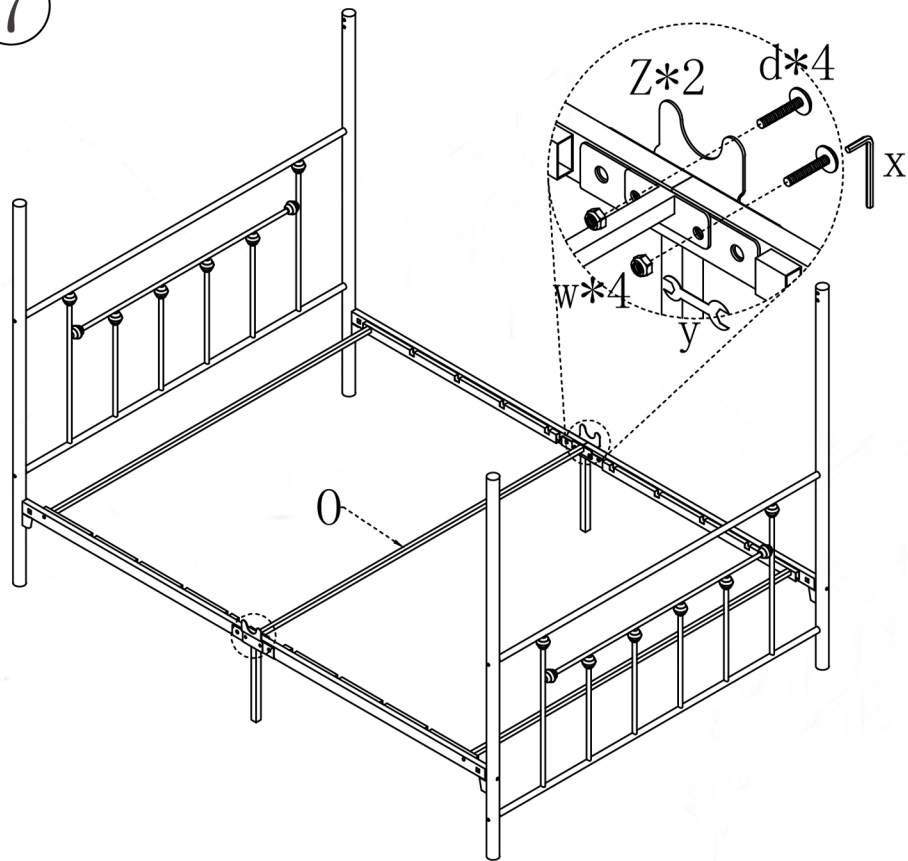
6



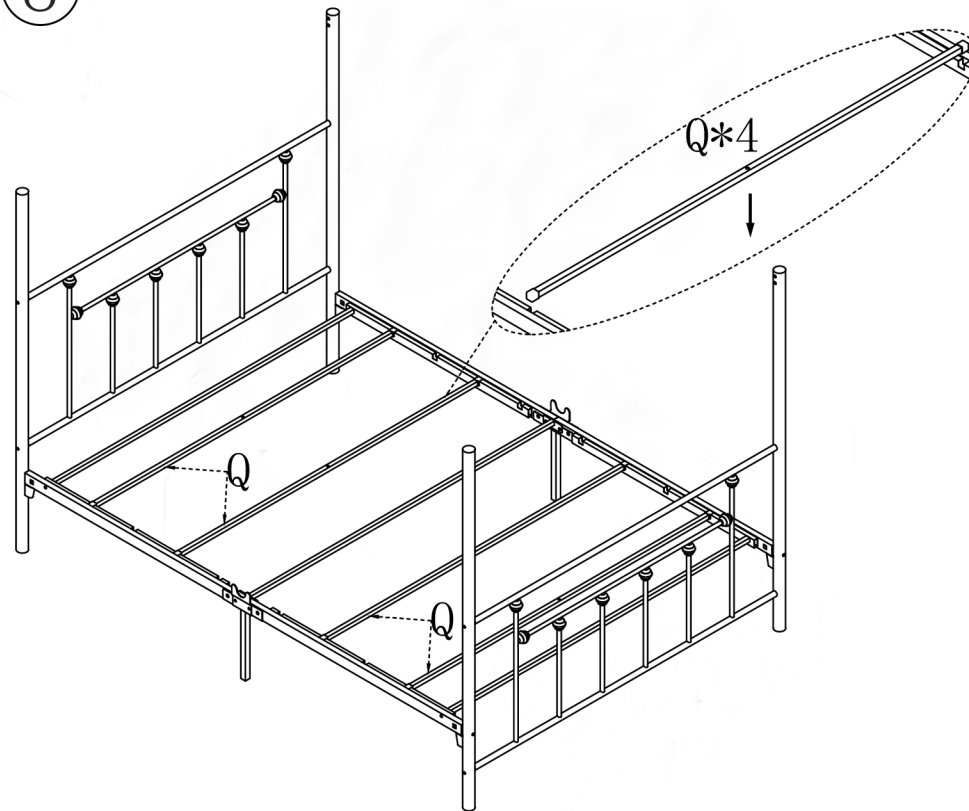
5

NOTE: PLEASE DO NOT TIGHTEN THE BOLTS UNTIL ALL FIXED

7



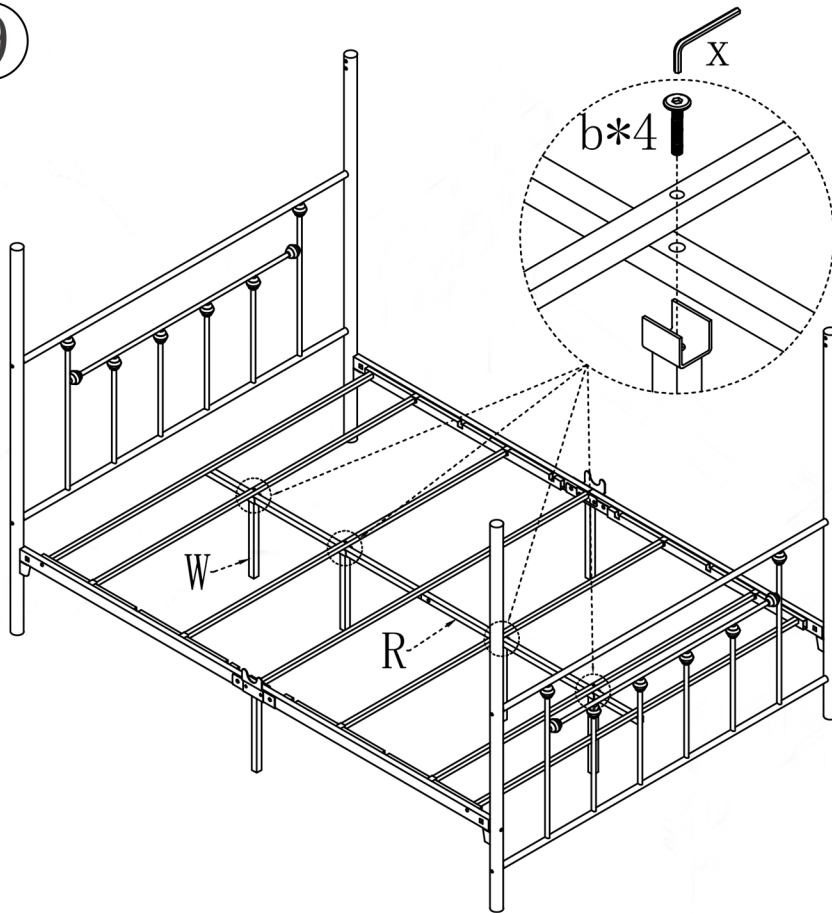
8



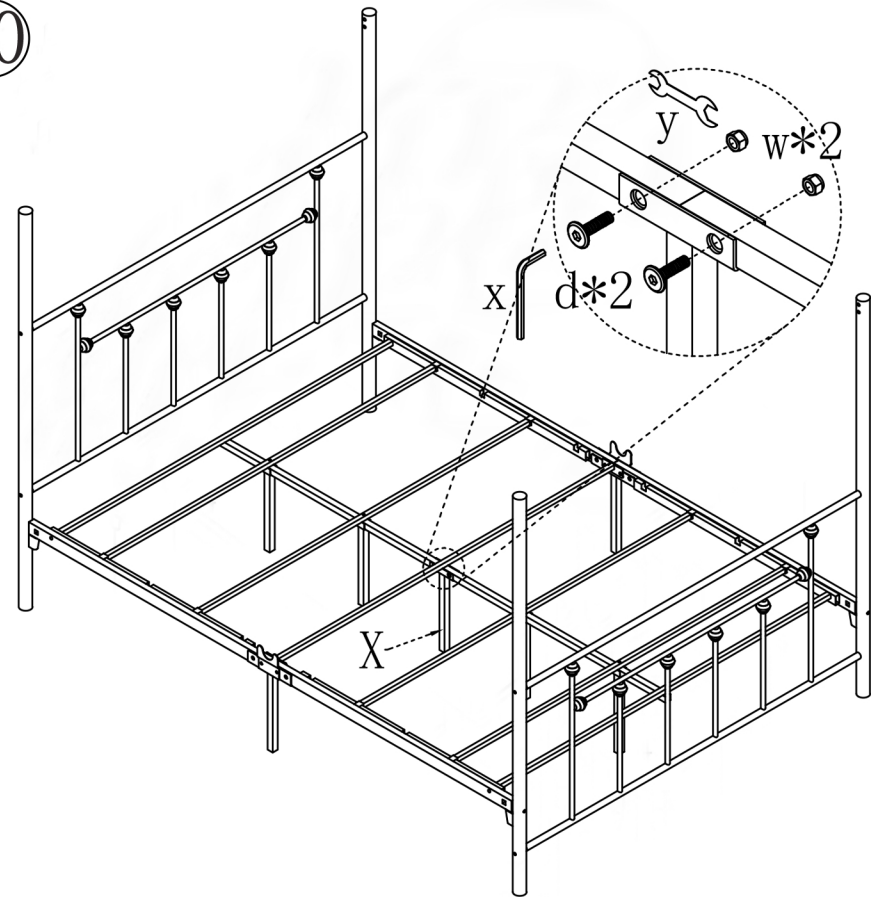
6

NOTE: PLEASE DO NOT TIGHTEN THE BOLTS UNTIL ALL FIXED

9

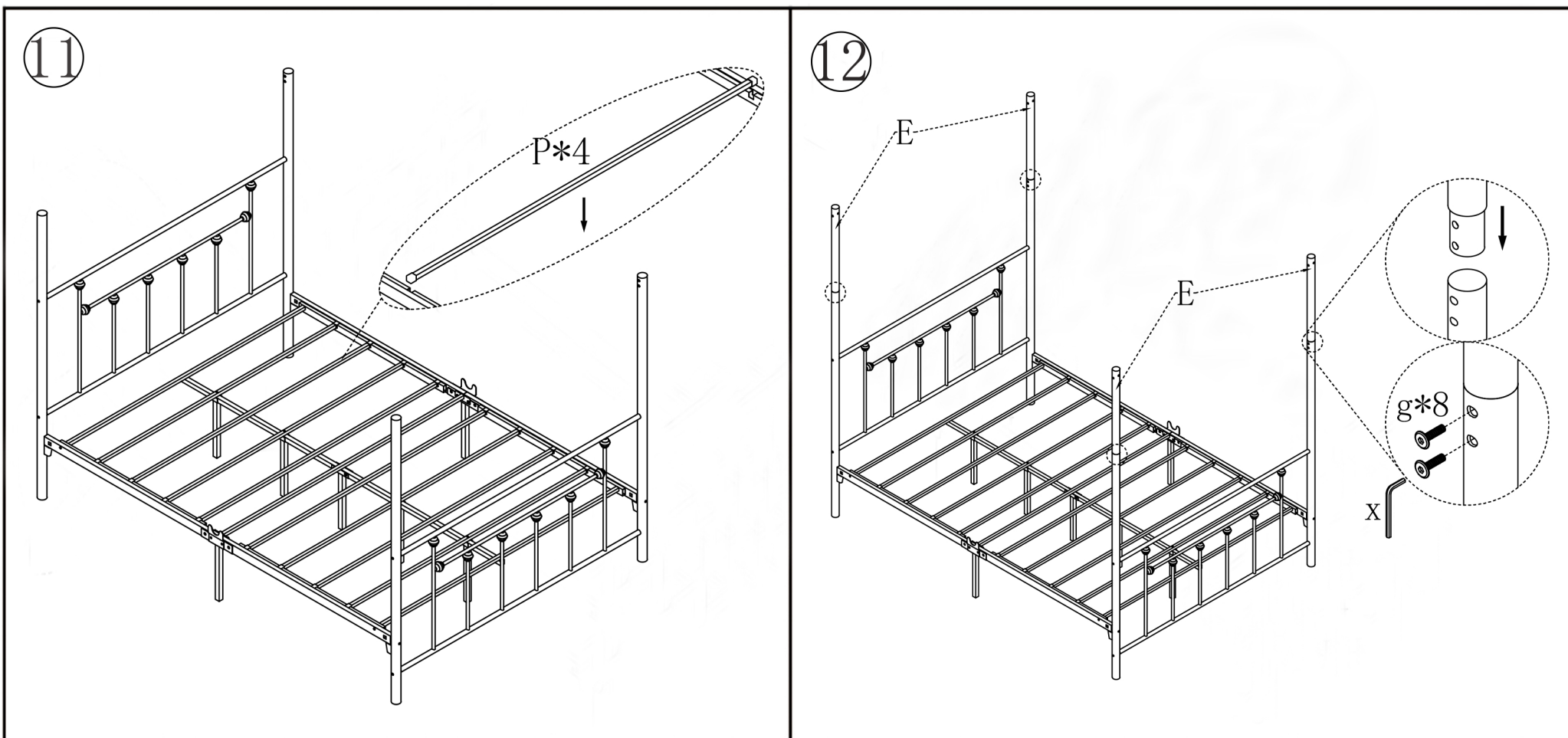


10



7

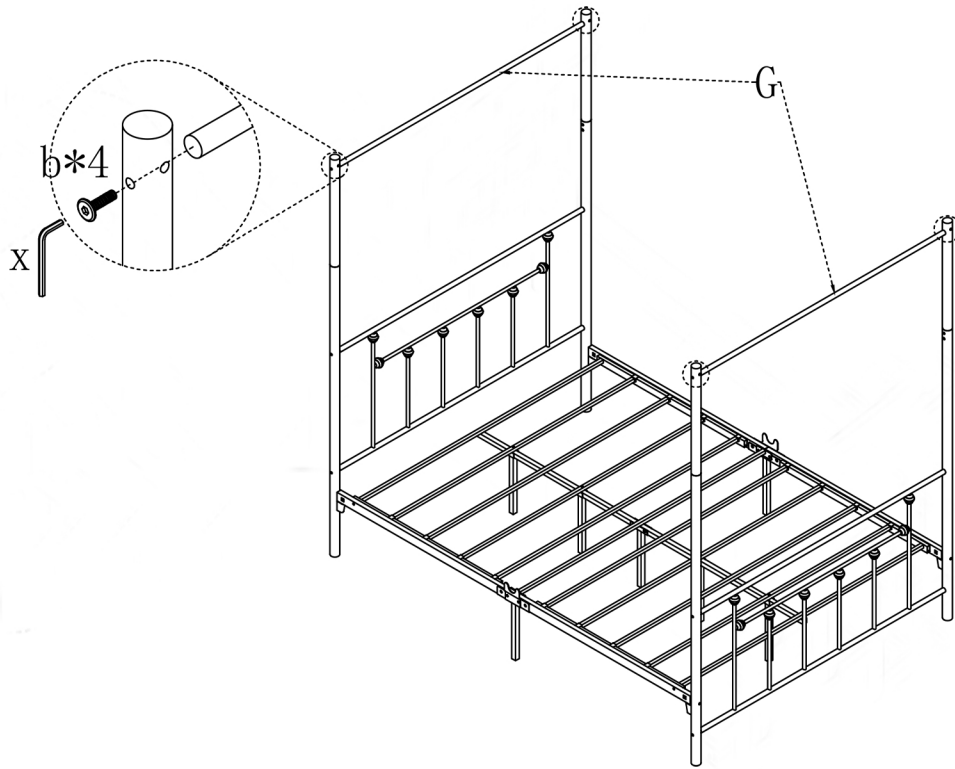
NOTE: PLEASE DO NOT TIGHTEN THE BOLTS UNTIL ALL FIXED



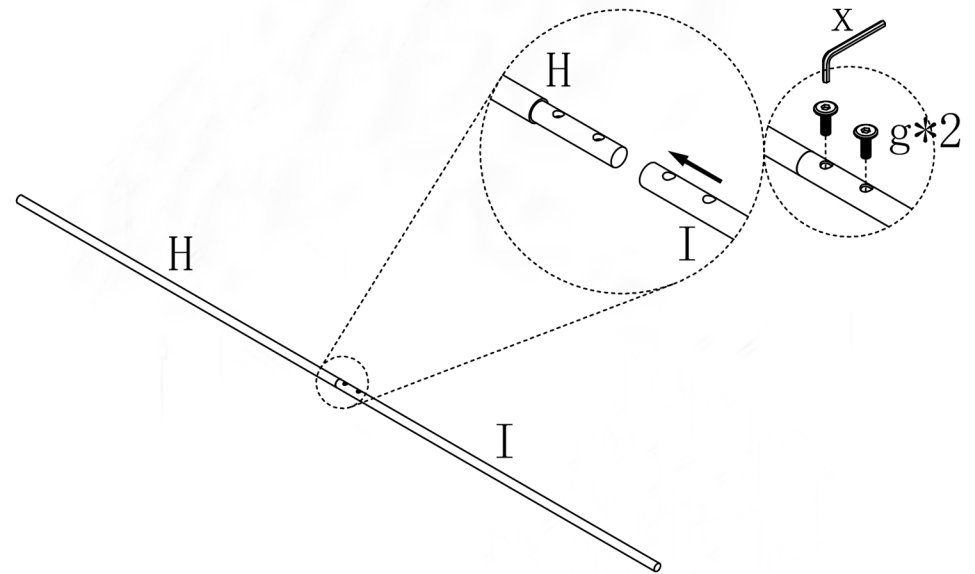
8

NOTE: PLEASE DO NOT TIGHTEN THE BOLTS UNTIL ALL FIXED

13



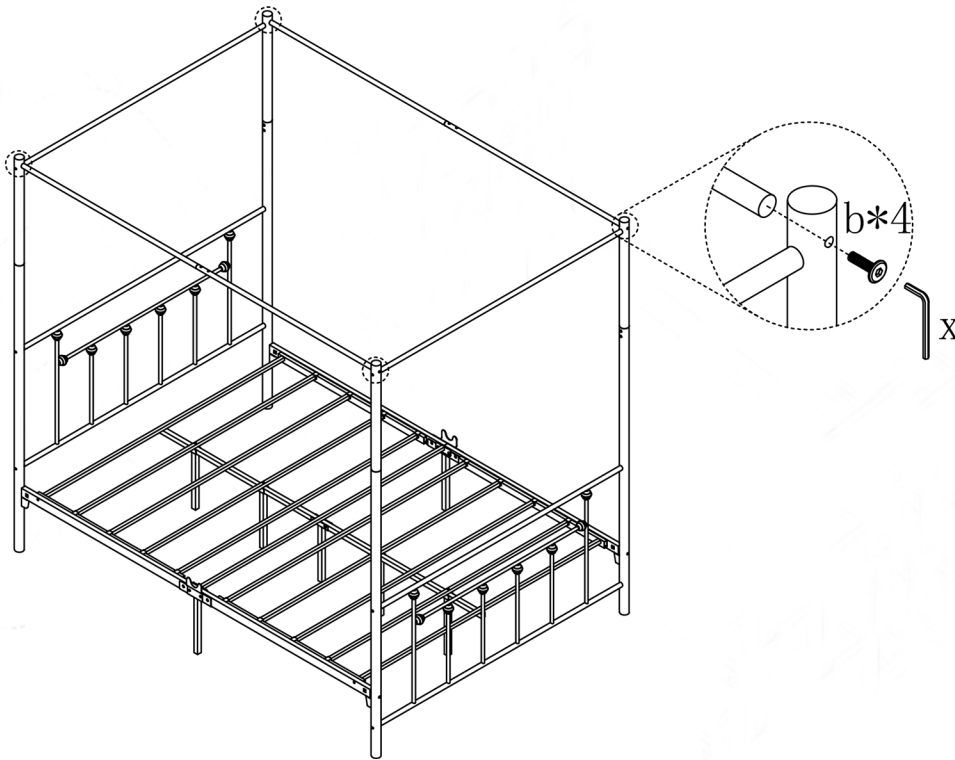
14



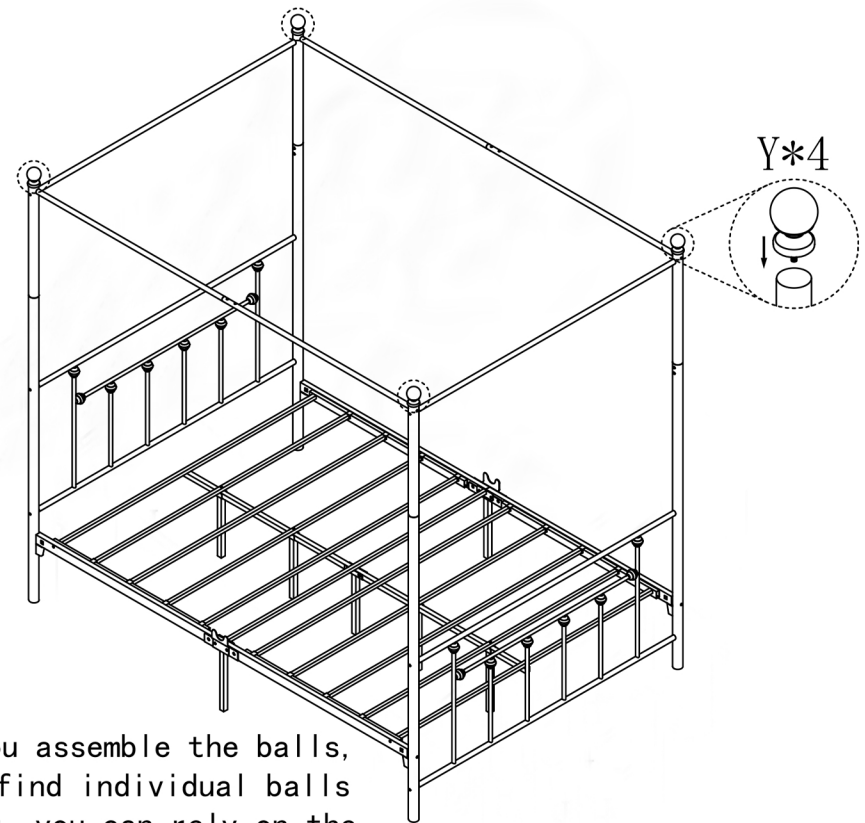
9

NOTE: PLEASE DO NOT TIGHTEN THE BOLTS UNTIL ALL FIXED

15



16



When you assemble the balls, if you find individual balls tilting, you can rely on the strength of our arms for a slight correction.

IMPORTANT: Please completely tighten all the bolts and nuts.