




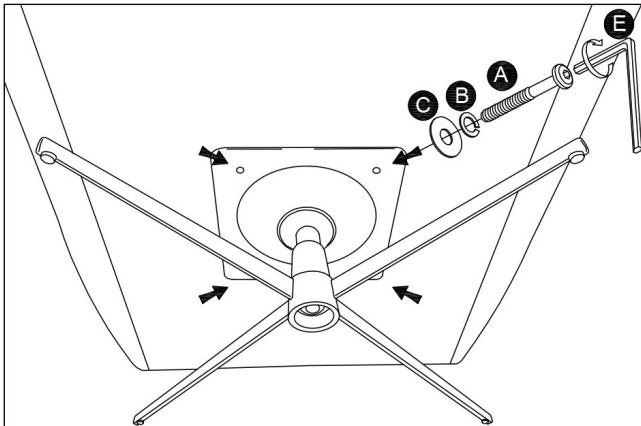


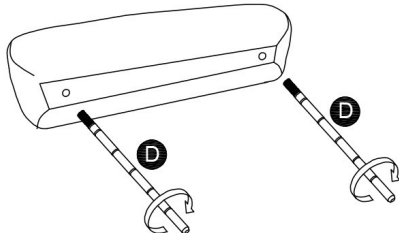
Assembly Instruction

Assembly Parts Desc.		Qty.	
A		JCBC Bolts M8x20mm	4 pcs
B		Spring Washer	4 pcs
C		Flat Washer	4 pcs
D		Headrest Connecting Rod	2 pcs
E		Allen key M5x65mm	1 pc

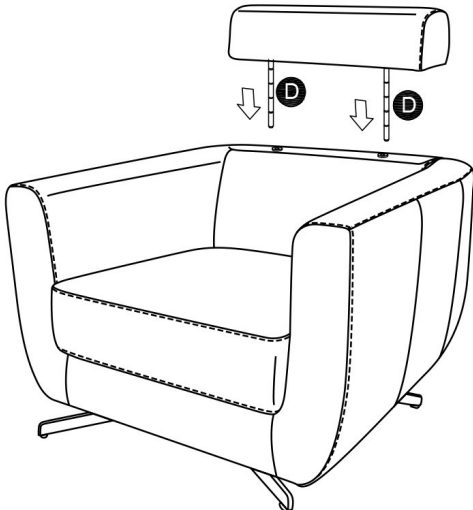


Step 1 :
Take the parts out from hardware pack.

Step 2 :
Place a metal leg on to the bottom of the upholstery that you are building. Make sure the hole on the metal leg aligns with the hole on the bottom of the upholstery. Tighten the metal leg with the bolt (A), spring washer (B) and flat washer(C) by using the allen key (E).

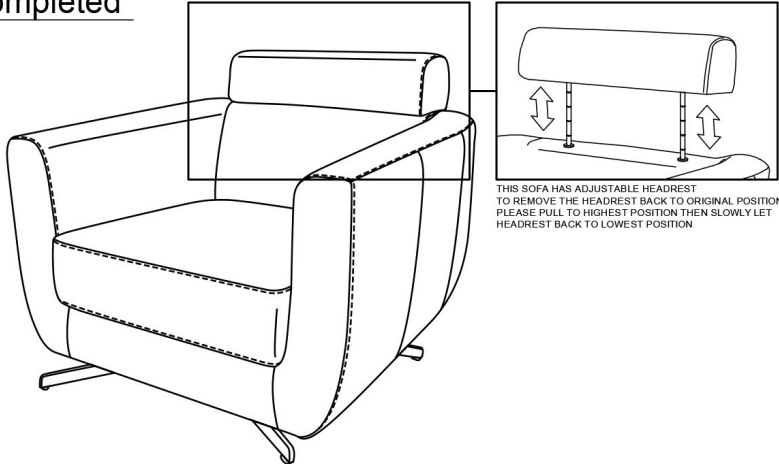


Step 3 :
Install the connecting rod (D) on the headrest by turning clockwise direction.



Step 4 :
Connect the headrest with accent chair by inserting the connecting rod(D) into designated holes of accent chair. Pull the headrest upward or push downward to adjust headrest height.

Completed



CAUTION
THIS SOFA HAS ADJUSTABLE HEADREST TO REMOVE THE HEADREST BACK TO ORIGINAL POSITION PLEASE PULL TO HIGHEST POSITION THEN SLOWLY LET HEADREST BACK TO LOWEST POSITION

FOR LEATHER AND P.U (Code"X")
Clean by lightly brushing and vacuuming only to remove dust and particles buildup. Water-based foam cleaner or solvent based cleaning agents of any kind may cause excessive shrinking, staining or distortion of the surface pile and, therefore, should not be used.

FOR FABRIC (Code"WW")
-Use water-based agents only.
-Do not use solvents.
-Gently remove stains by blotting or hang washing.
-Do not use excessive brushing or rubbing.