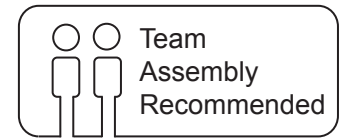
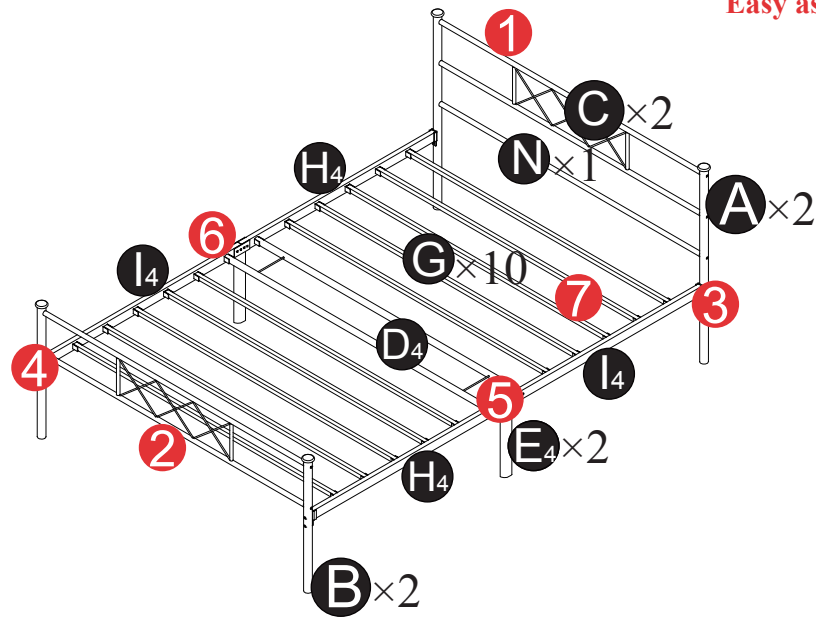


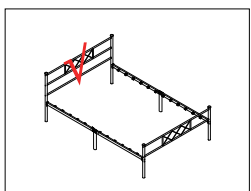
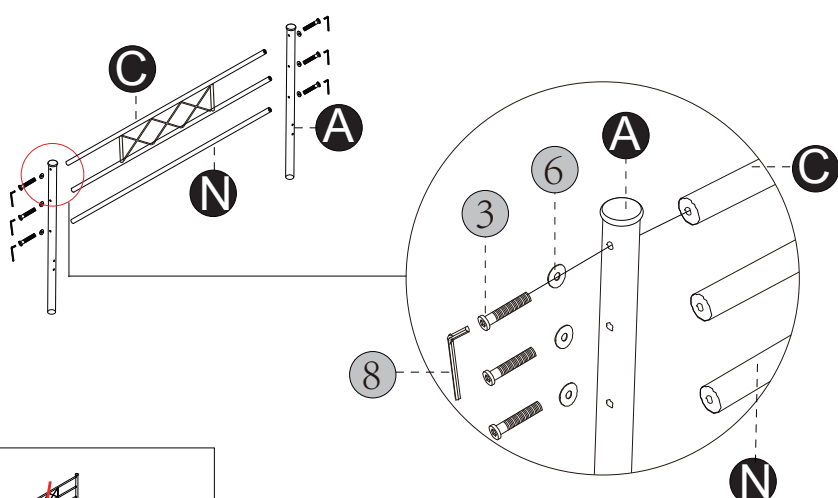
# Bed Frame Installation Manual

#Number System  
Easy assembly by following 1,2,3...



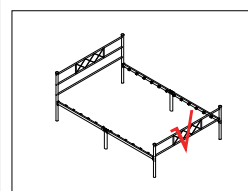
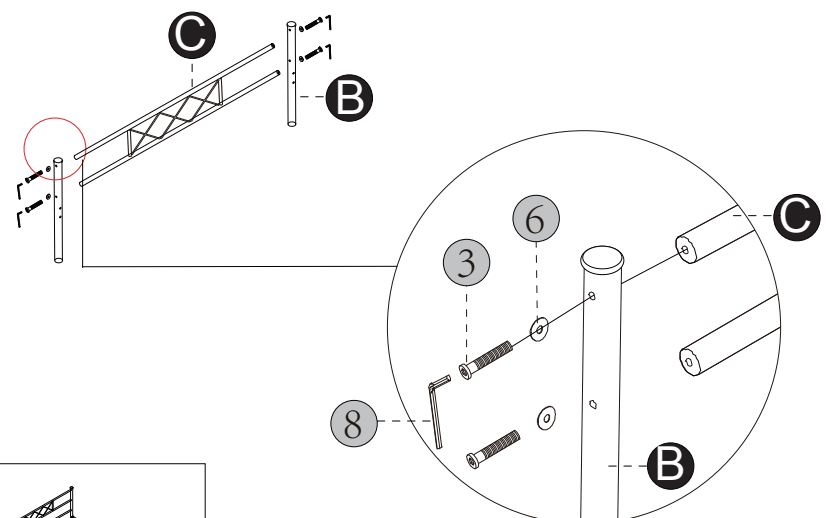
Componets		Screws & Tools		
	A x2	1		M8x45mm x8
	B x2	2		M8x35mm x8
	C x2	3		M6x60mm x10
	D <sub>4</sub> x1	4		M6x40mm x4
	E <sub>4</sub> x2	5		M6x15mm x4
	G x10	6		x18
	H <sub>4</sub> x2	7		M8 x12
	I <sub>4</sub> x2	8		M5 x1
	L <sub>4</sub> x2	9		M13/M10 x1
	N x1			

## 1 Headboard assembly



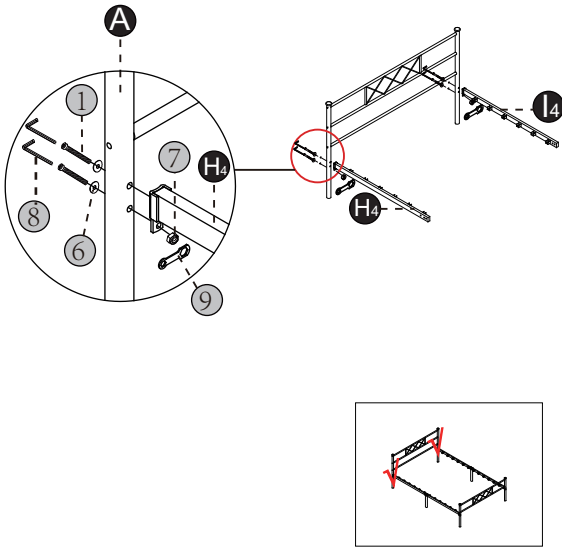
Note:  
In this step, do not tighten screw 3

## 2 Footboard assembly

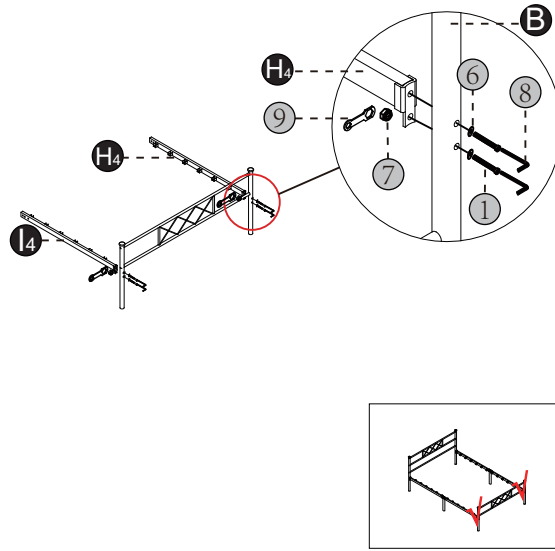


Note:  
In this step, do not tighten screw 3

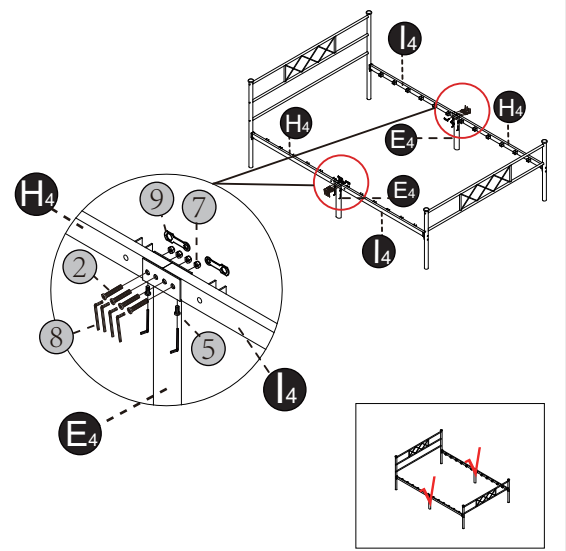
**3** Connect **H<sub>4</sub>** & **I<sub>4</sub>** to headboard



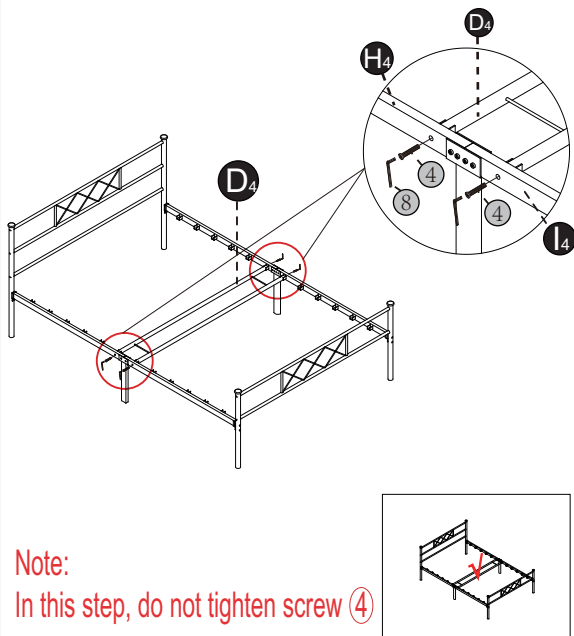
**4** Connect **H<sub>4</sub>** & **I<sub>4</sub>** to footboard



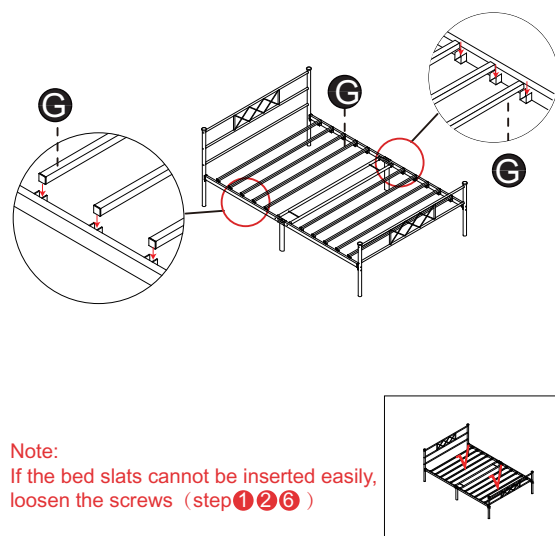
**5** Connect **E<sub>4</sub>** to **H<sub>4</sub>** & **I<sub>4</sub>**



**6** Connect **D<sub>4</sub>** to **H<sub>4</sub>** & **I<sub>4</sub>**



**7** Assemble bed slats



**8** Check and tighten all screws

