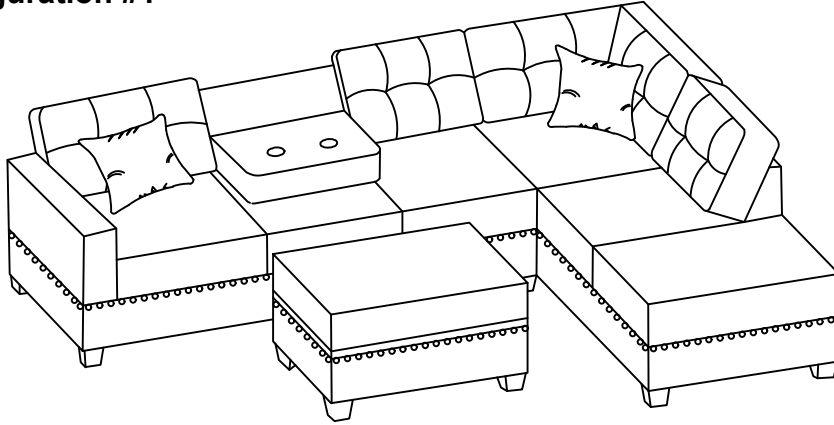


ASSEMBLY INSTRUCTION

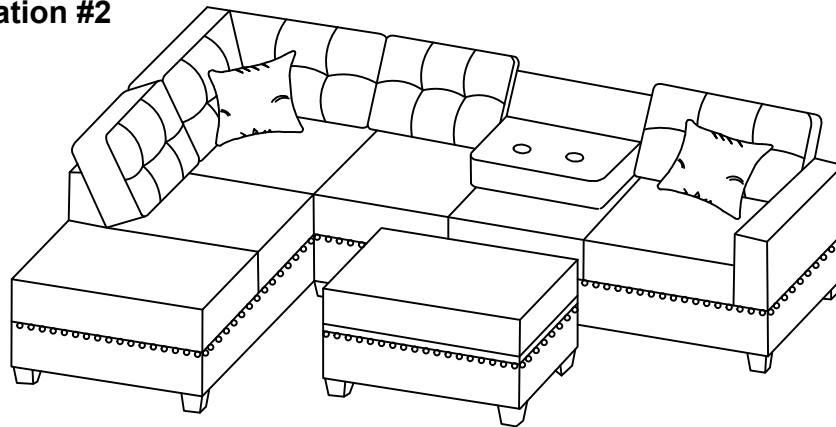
SOFA
CHAISE
OTTOMAN

Sectional can be assembled with right side facing chaise (configuration #1) or a left side facing chaise (configuration #2). See instructions below.

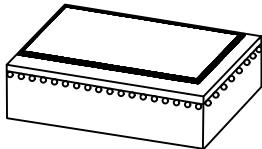
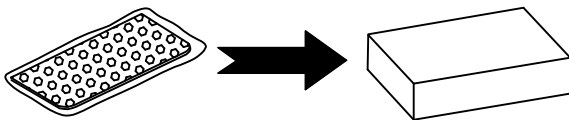
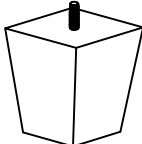
Configuration #1













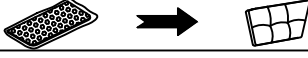


Configuration #2



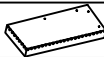








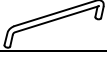



OTTOMAN COMPONENT LIST

NO.	DRAWING	QTY	DESCRIPTION
X		1	STORAGE
Y		1	SEAT CUSHION
G		4	PLASTIC LEGS

CHAISE COMPONENT LIST

NO.	DRAWING	QTY	DESCRIPTION
A		1	CHAISE SEAT
B		1	CHAISE BACK REST
C		1	CHAISE BACK CORNER
R		1	SOFA MIDDLE BACK CUSHION
D		1	CHAISE BACK REST
E1		1	CHAISE BACK REST
E2		1	MIDDLE SEAT CUSHION
E3		1	FRONT SEAT CUSHION
F1		1	FRONT BACK CUSHION
F2		1	MIDDLE BACK CUSHION
F3		1	REAR BACK CUSHION
F4		2	PILLOW
G		4	PLASTIC LEGS

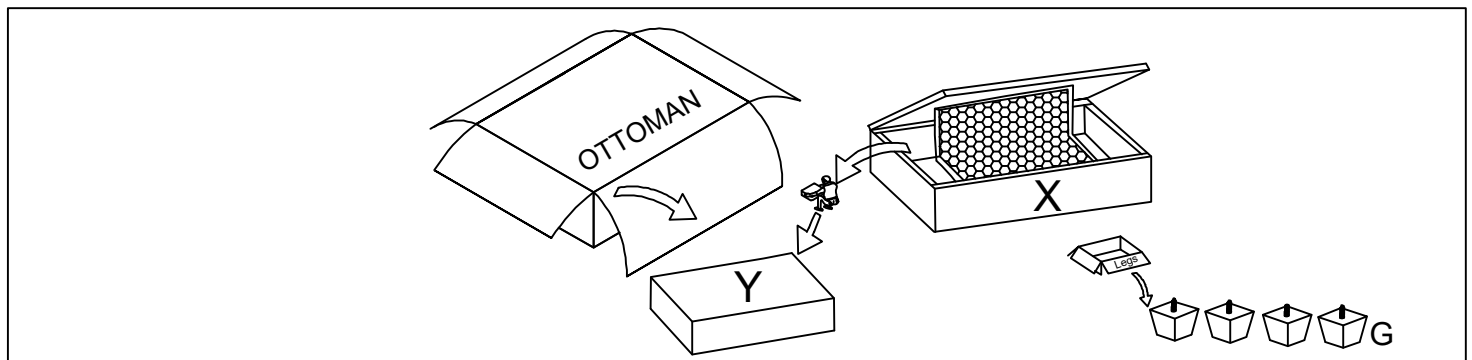
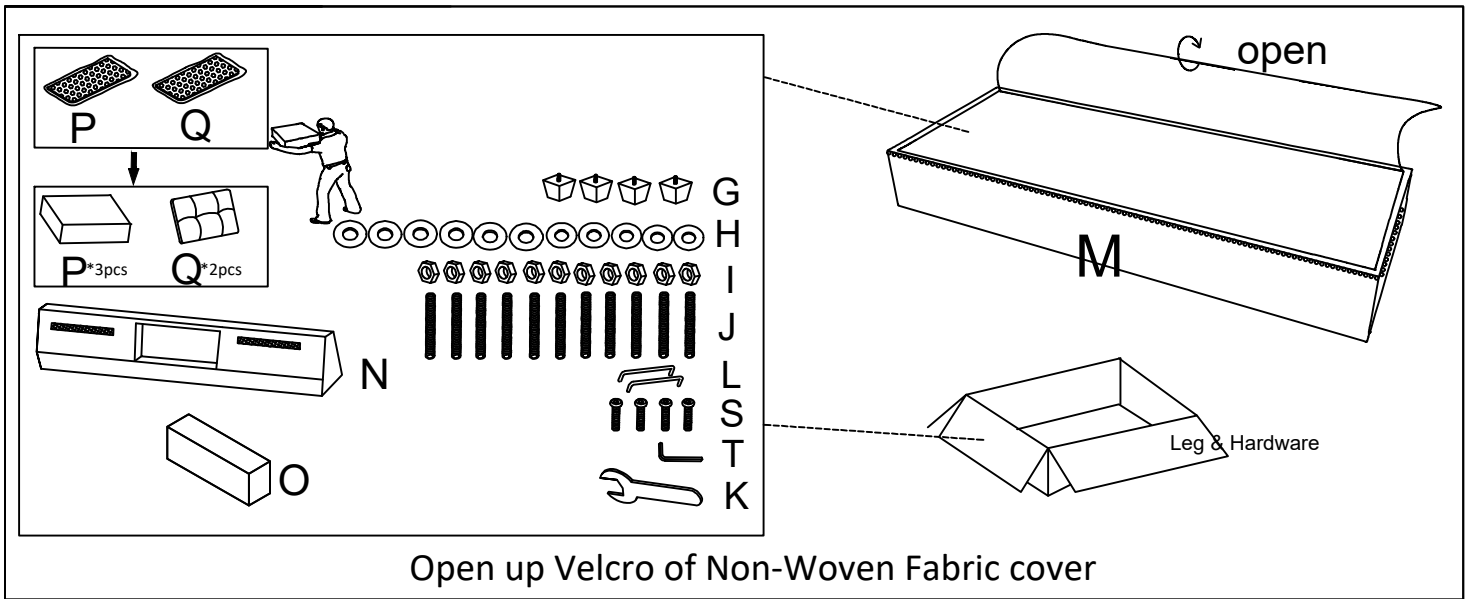
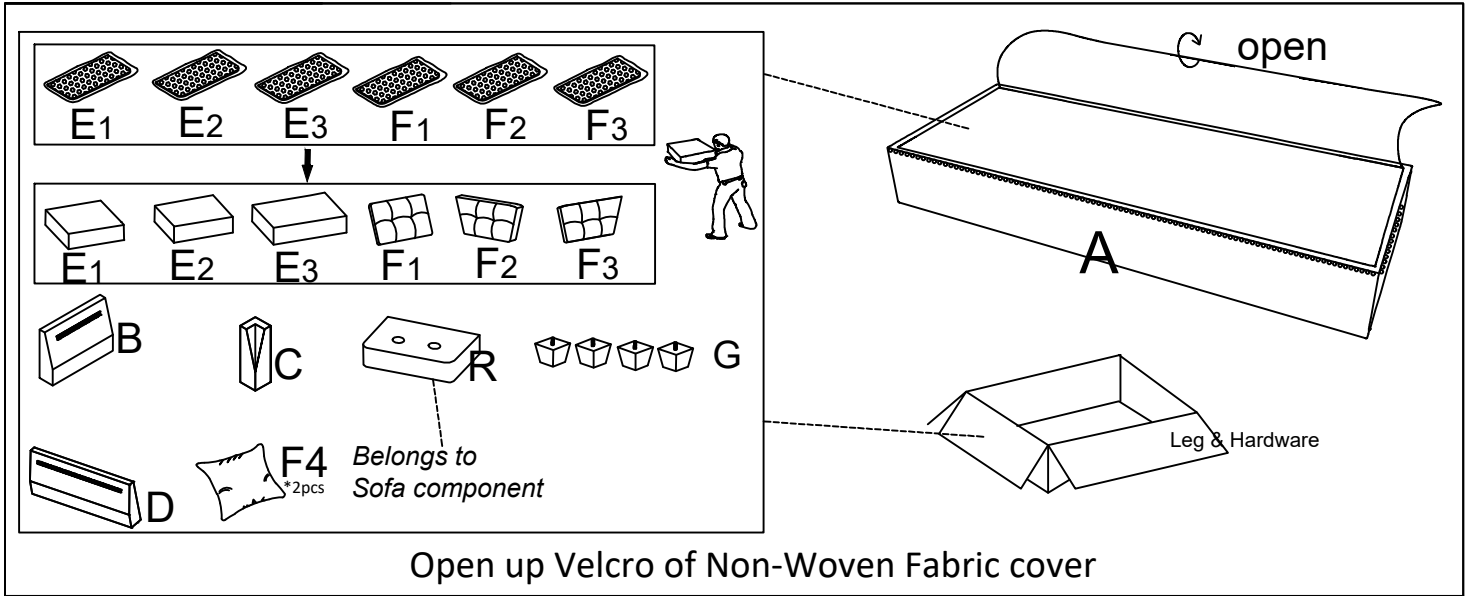
SOFA COMPONENT LIST

NO.	DRAWING	QTY	DESCRIPTION
M		1	SOFA SEAT
N		1	SOFA BACK REST
O		1	ARM
P		3	SOFA SEAT CUSHION
Q		2	SOFA BACK CUSHION
G		4	PLASTIC LEGS
H		11	PLAT WASHER Ø5/16' X 22MM
I		11	NUT Ø5/16" X 12MM
J		11	BOLT Ø5/16" X 90MM
L		2	METAL CONNECTOR L100MM
S		4	BOLT Ø1/4" x 20MM
T		1	ALLEN KEY
K		1	OPEN WRENCH

 Apply moderate forces until complete after opening.

Please allow at least 24 hours for the cushions to recover to its natural state after removing from the package.

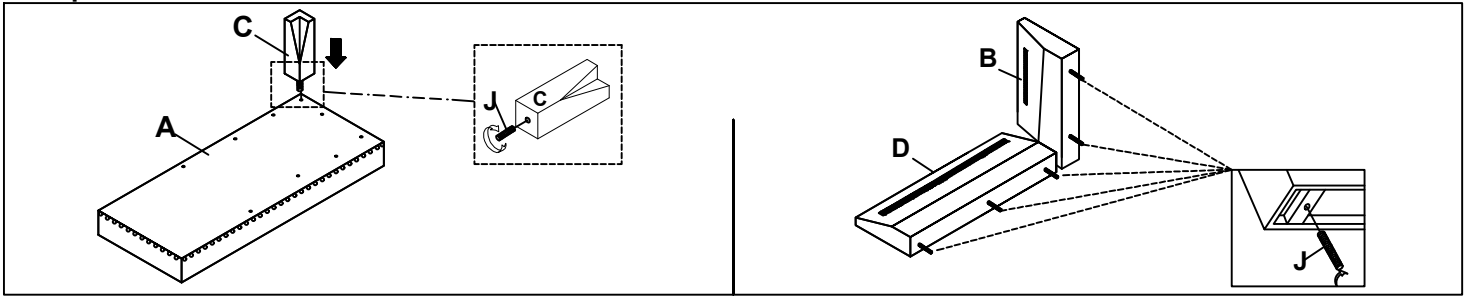
Please allow at least 24 hours for the cushions to recover to its natural state after removing from the package.



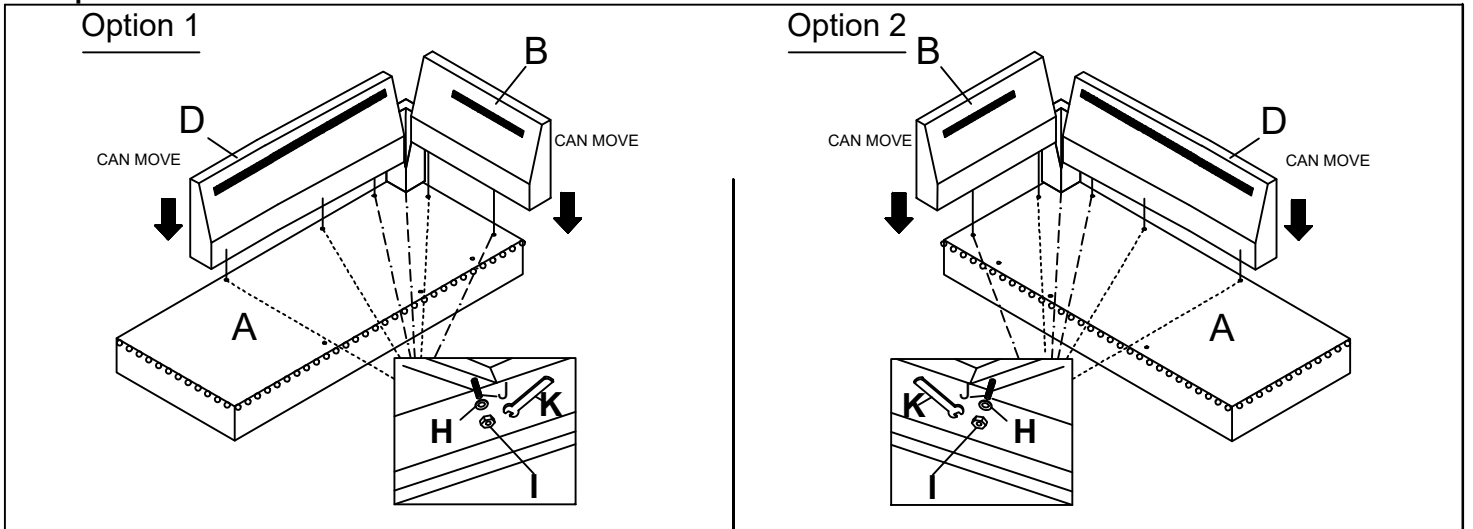
Please remove all parts and hardware from seat frame and storage ottoman before assembly

Please allow at least 24 hours for the cushions to

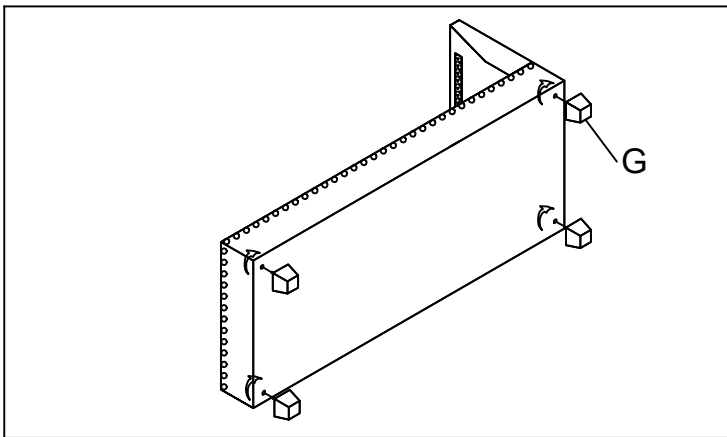
Step 1 recover to its natural state after removing from the package.



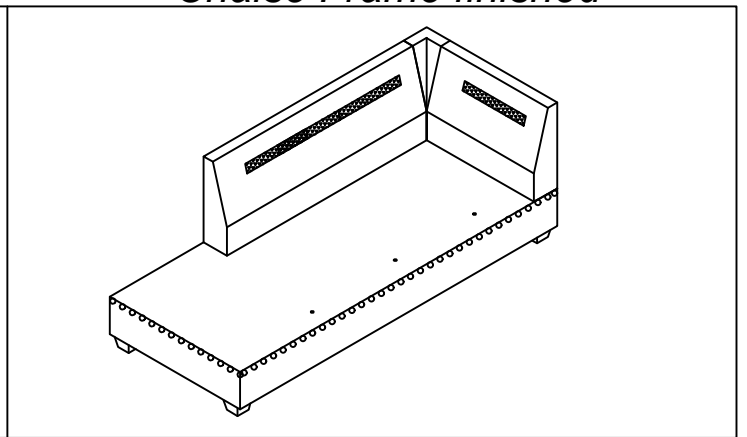
Step 2



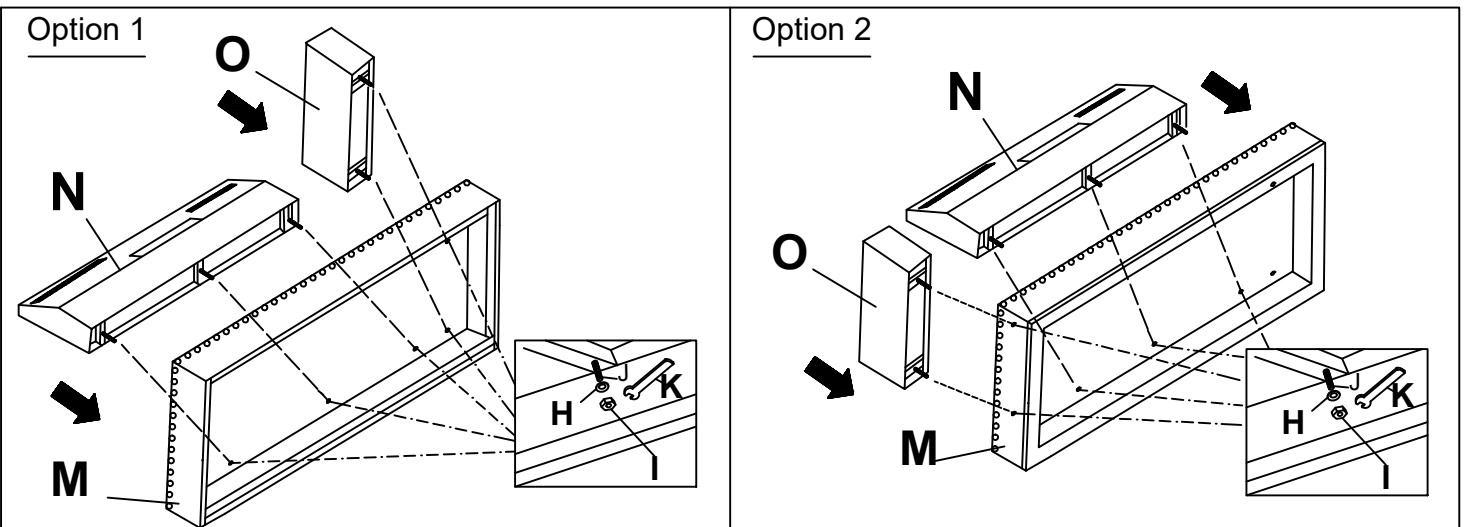
Step 3



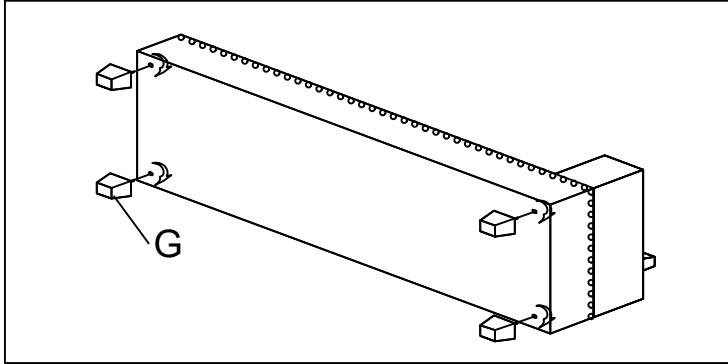
Chaise Frame finished



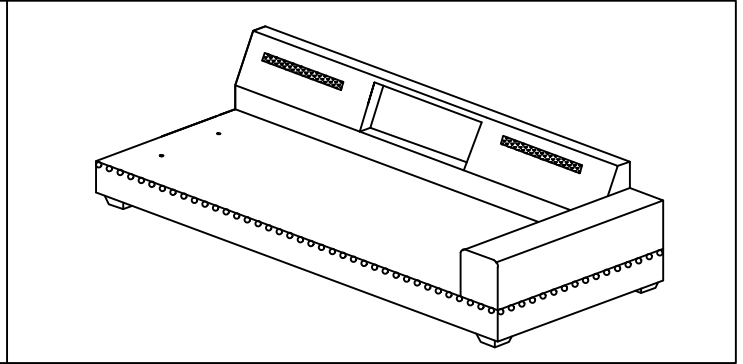
Step 4



Step 5

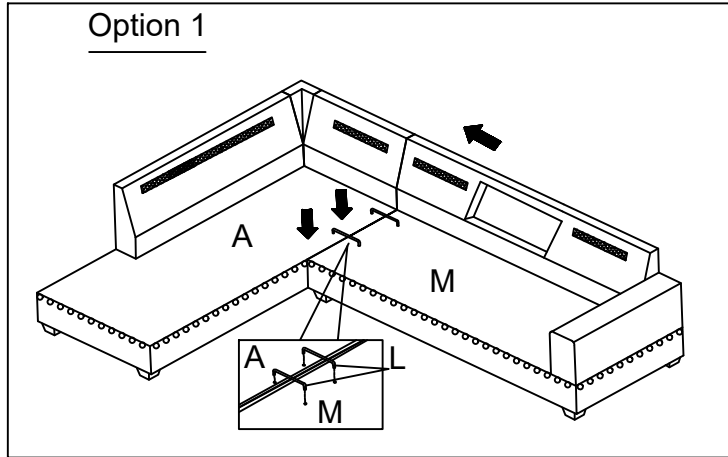


Sofa Frame finished

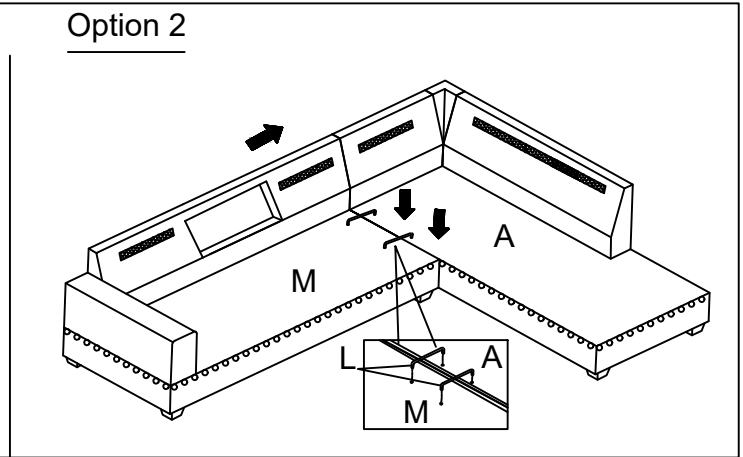


Step 6

Option 1

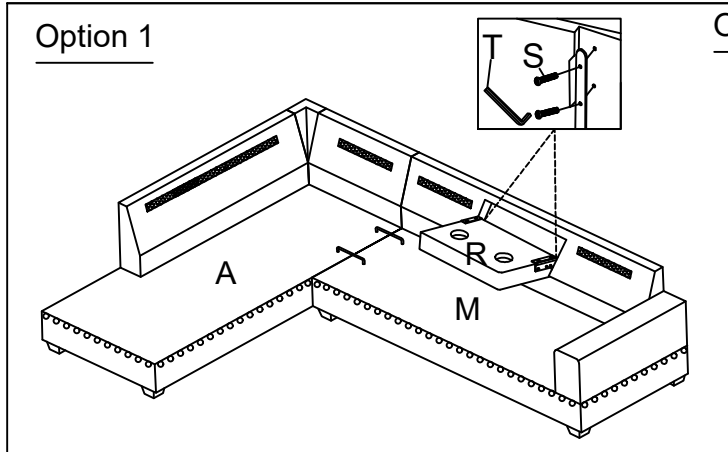


Option 2

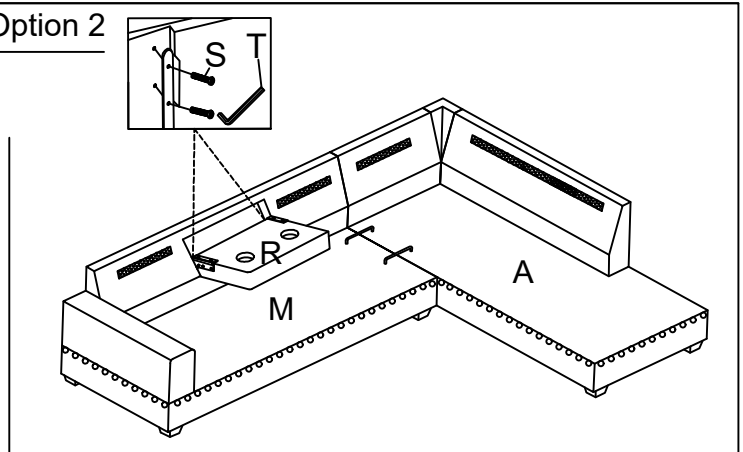


Step 7

Option 1

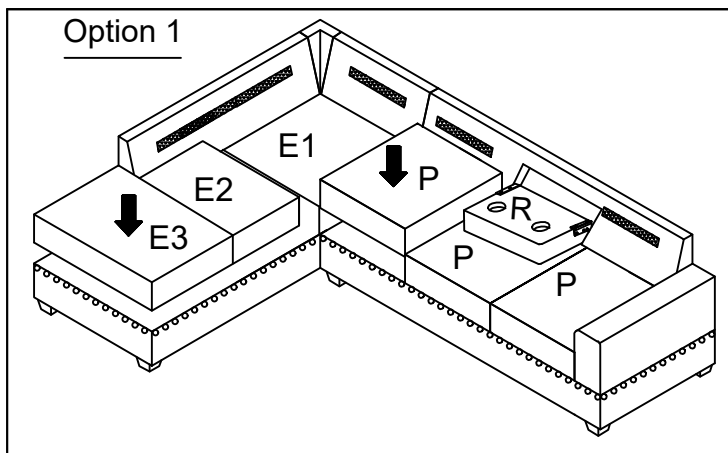


Option 2

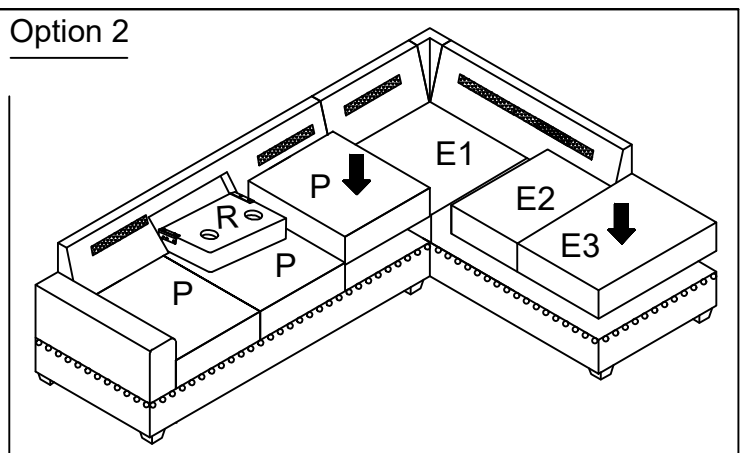


Step 8

Option 1

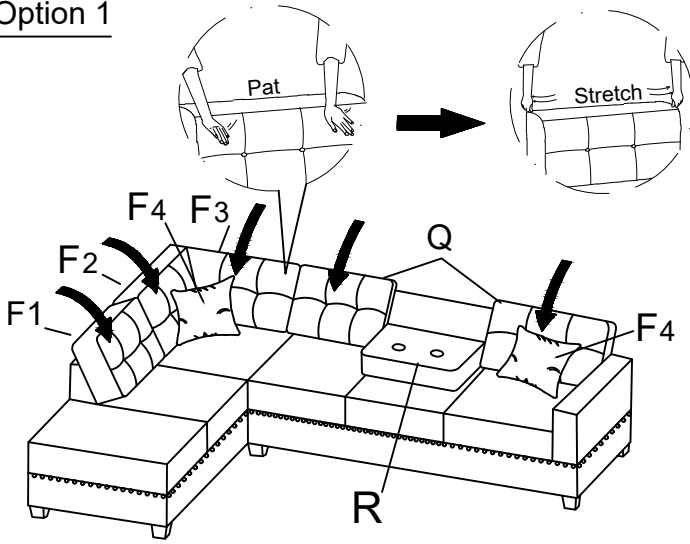


Option 2

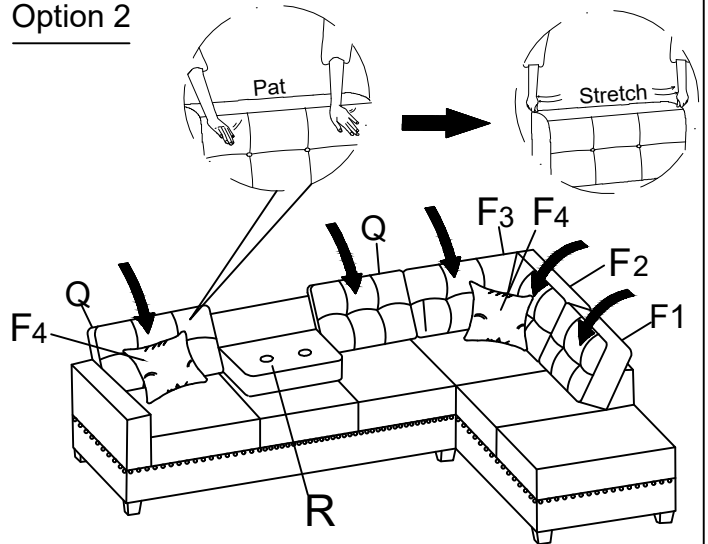


Step 9

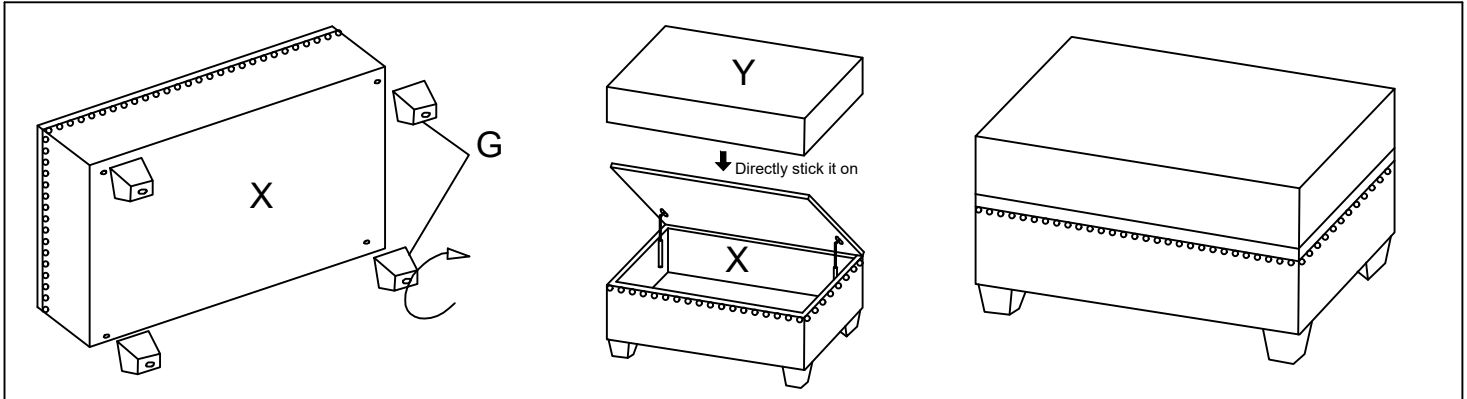
Option 1



Option 2

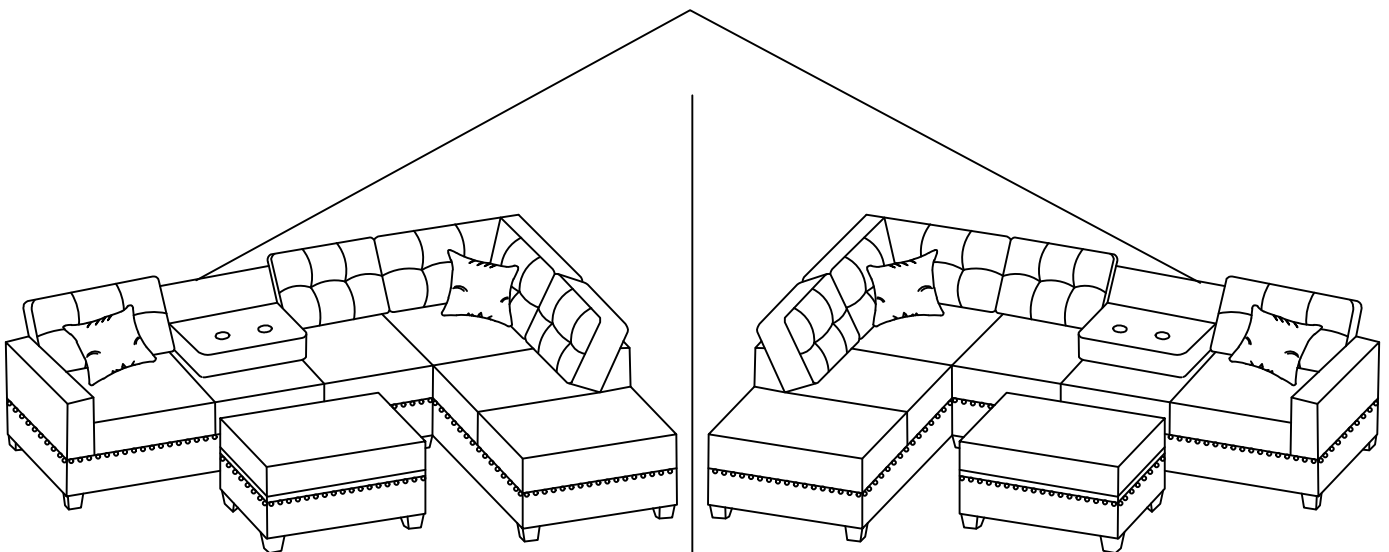


Step 10



Assembly Completed!

THE CONSOLE PIECE CAN BE DROPPED DOWN AND TURN INTO AN ARMREST PANEL WITH CUP HOLDERS



CHAISE ON RIGHT

CHAISE ON LEFT