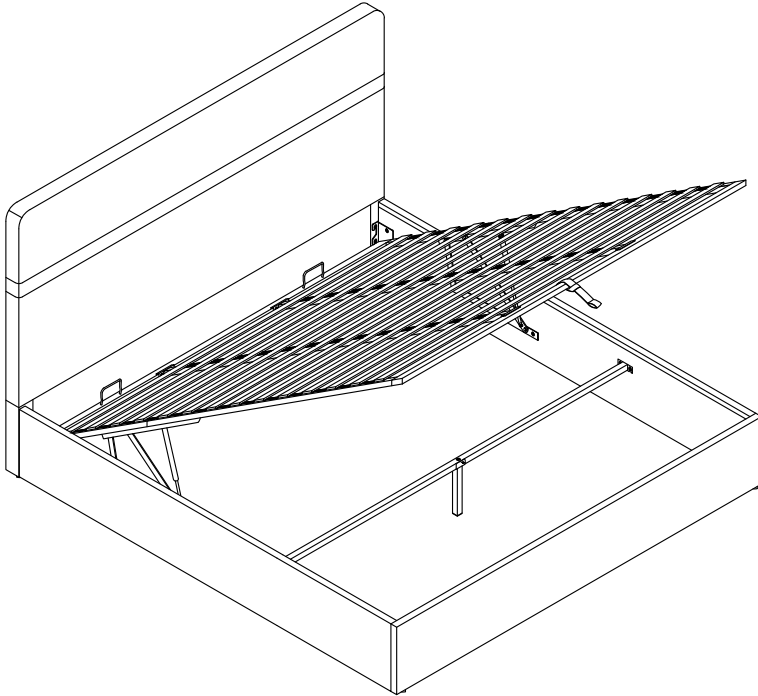


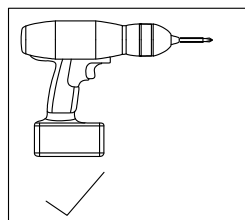
STANDARD BED



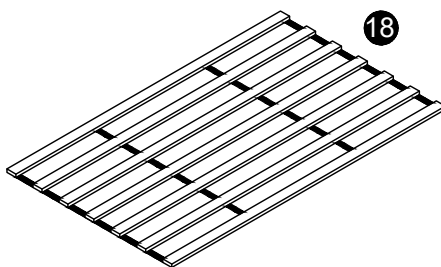
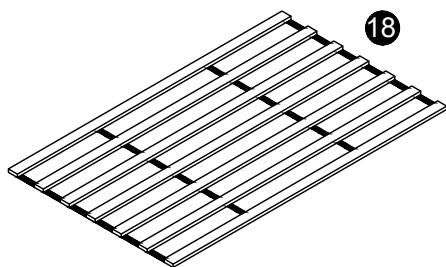
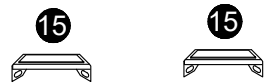
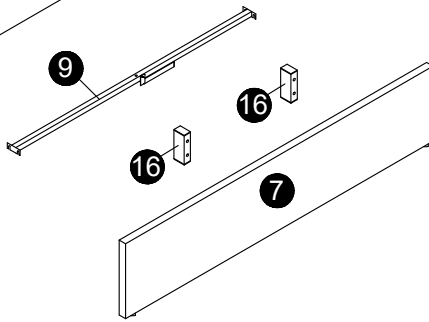
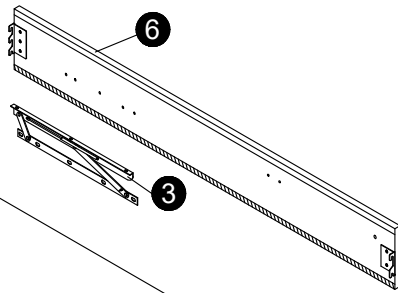
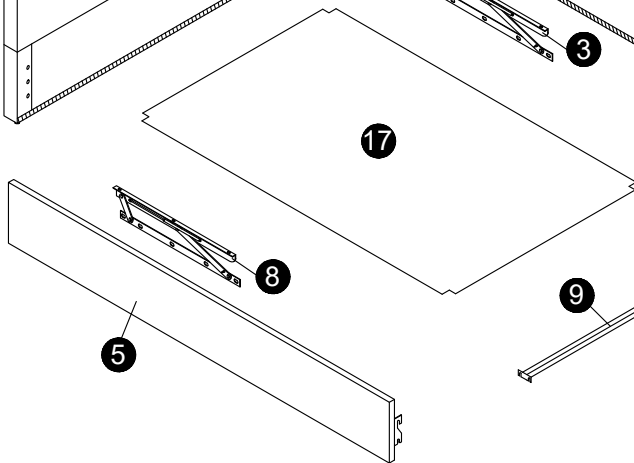
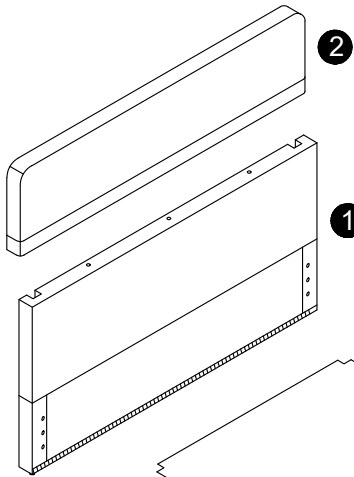
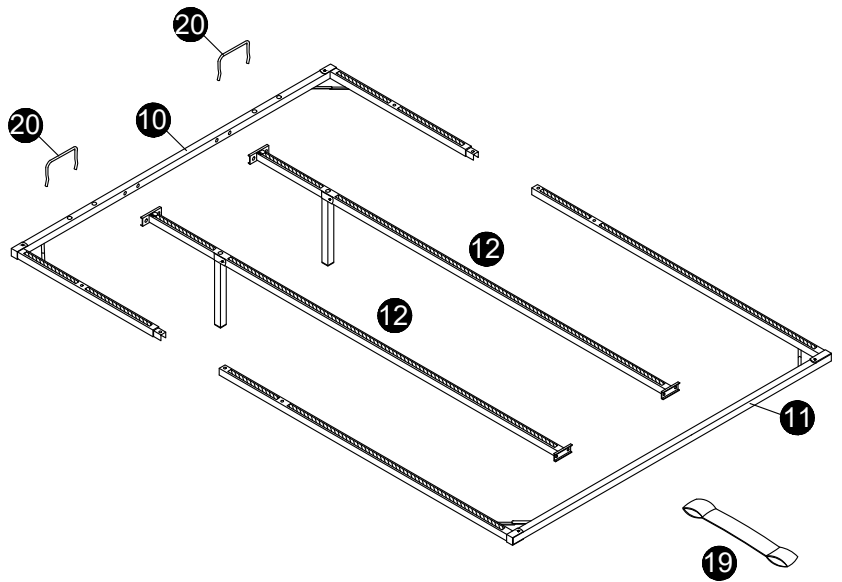
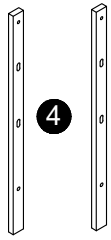
Please **TEAR OFF** this shrink film from side!
DO NOT USE CUTTER!

IMPORTANT NOTE

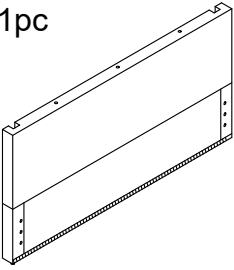
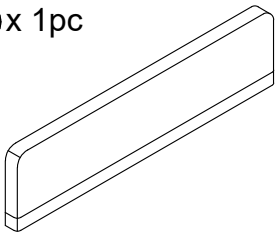
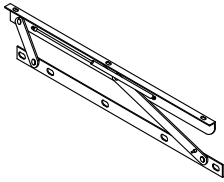
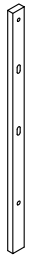
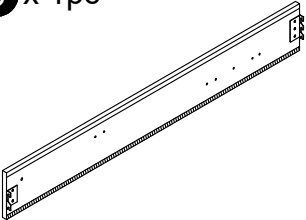
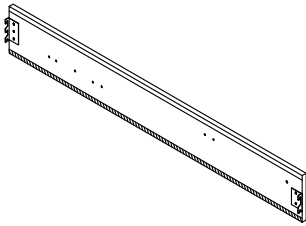
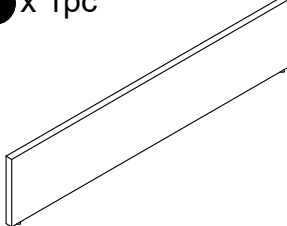
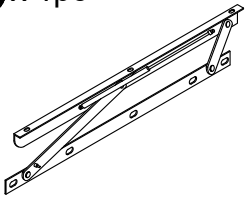
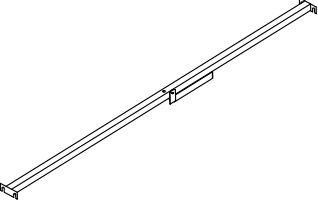
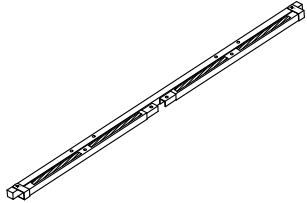
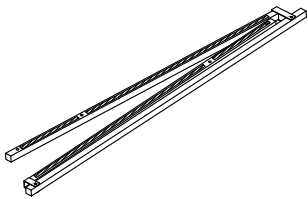
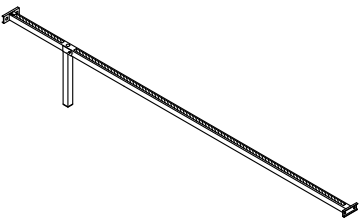


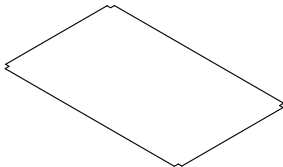
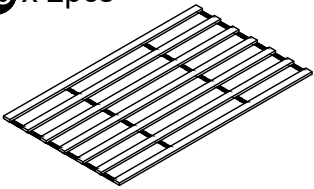
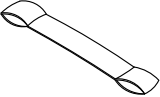
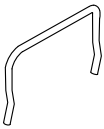
1. FOR THE PROTECTION OF YOUR FURNITURE, PLACE ALL PARTS ON A CLEAN AND SMOOTH SURFACE TO PREVENT ANY DAMAGE.
2. DO NOT USE POWER TOOLS TO ASSEMBLE THE BED.
3. PLEASE PERIODICALLY CHECK ALL FITTINGS AND RE-TIGHTEN AS NECESSARY.
4. DO NOT USE THE BED UNLESS ALL BOLTS AND SCREWS ARE FIRMLY SECURED.
5. NEED PARTS OR ASSISTANCE? CONTACT US
6. YOU CAN ASSEMBLE IT WITH OUR PACKAGING TOOLS OR WITH A.



PART LIST



PART LIST

<p>1 x 1pc</p> 	<p>2 x 1pc</p> 	<p>3 x 1pc</p> 	<p>4 x 2pcs</p> 
<p>5 x 1pc</p> 	<p>6 x 1pc</p> 	<p>7 x 1pc</p> 	<p>8 x 1pc</p> 
<p>9 x 1pc</p> 	<p>10 x 1pc</p> 	<p>11 x 1pc</p> 	<p>12 x 2pcs</p> 
<p>15 x 2pcs</p> 	<p>16 x 2pcs</p> 	<p>17 x 1pc</p> 	<p>18 x 2pcs</p> 
<p>19 x 1pc</p> 	<p>20 x 2pcs</p> 		

HARDWARE LIST



H1 M5 x 1pc



H2 M8x25mm x 30pcs



H3 M8x40mm x 11pcs



H4 M8x60mm x 4pcs



H5 M8 x 60pcs



H6 M8x17mm x 49pcs



H7 M8 x 6pcs



H8 M14 x 1pc



H9 M8x50mm x 9pcs

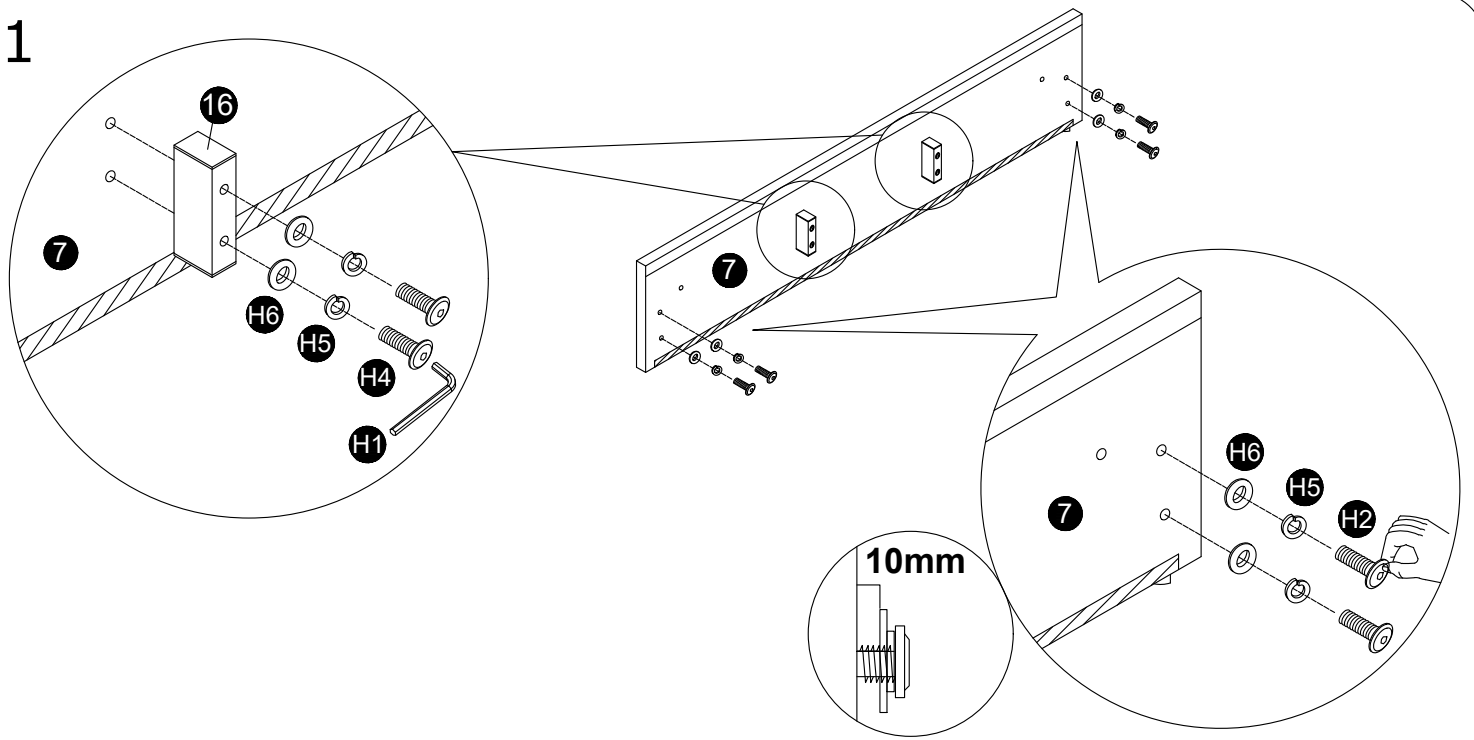


H10 M8x22mm x 11pcs

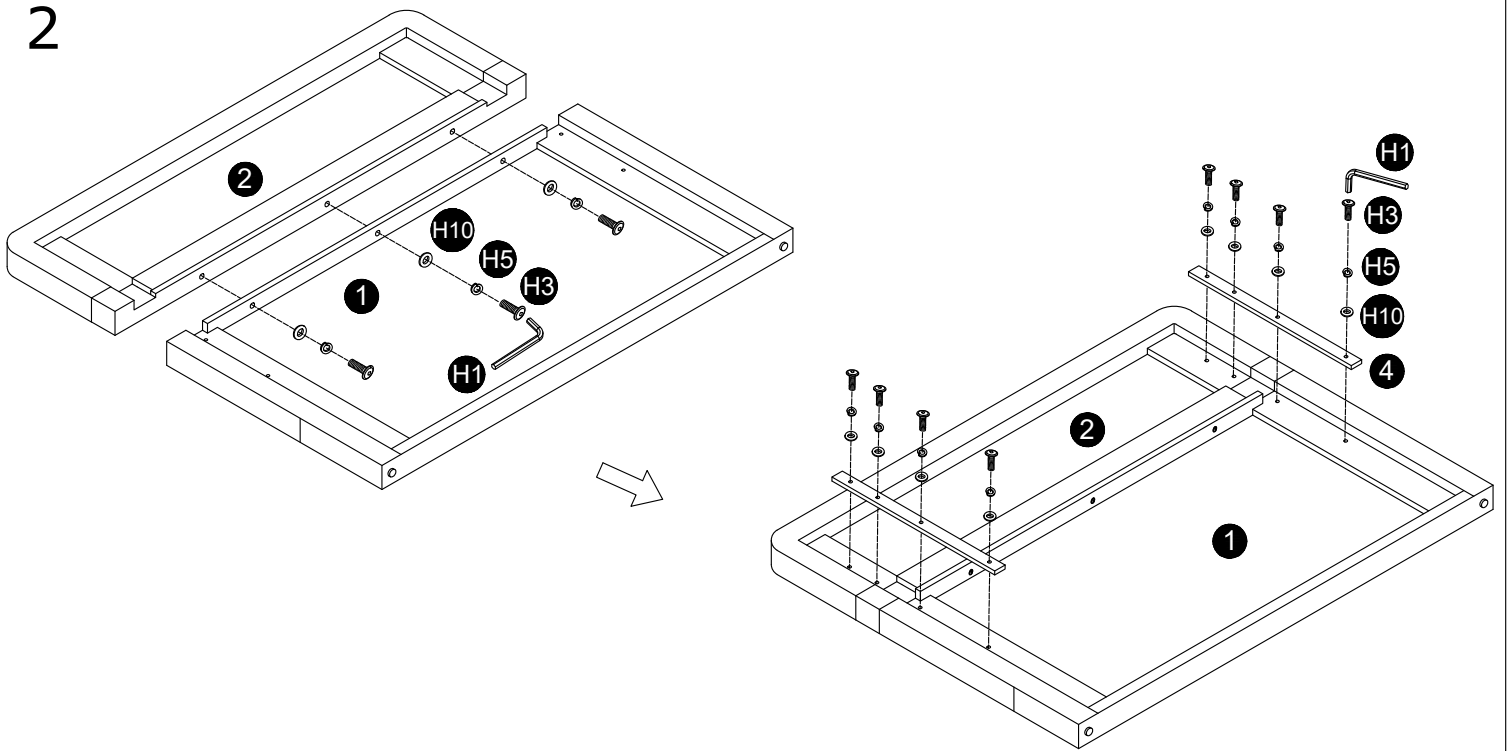


H11 M8x30mm x 6pcs

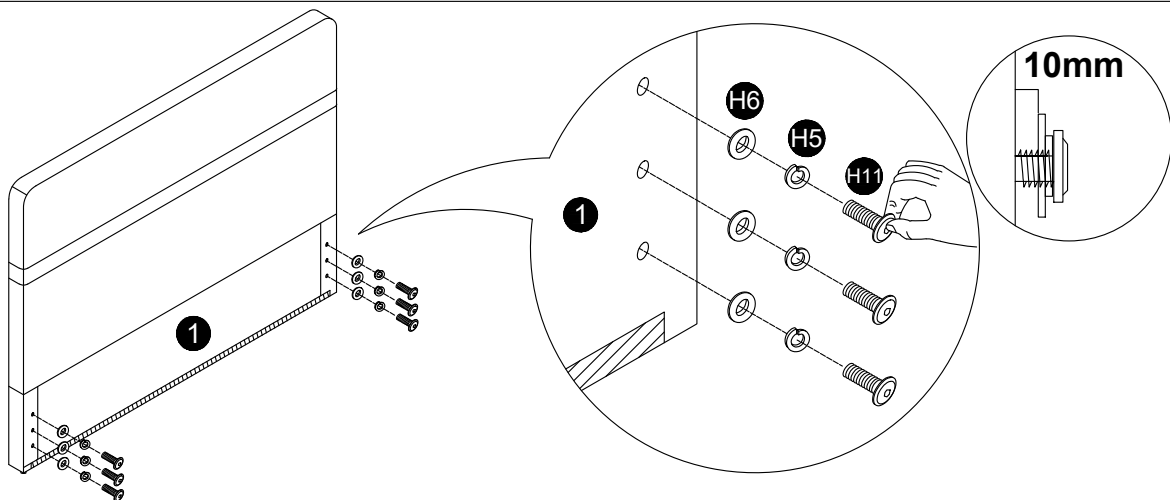
1



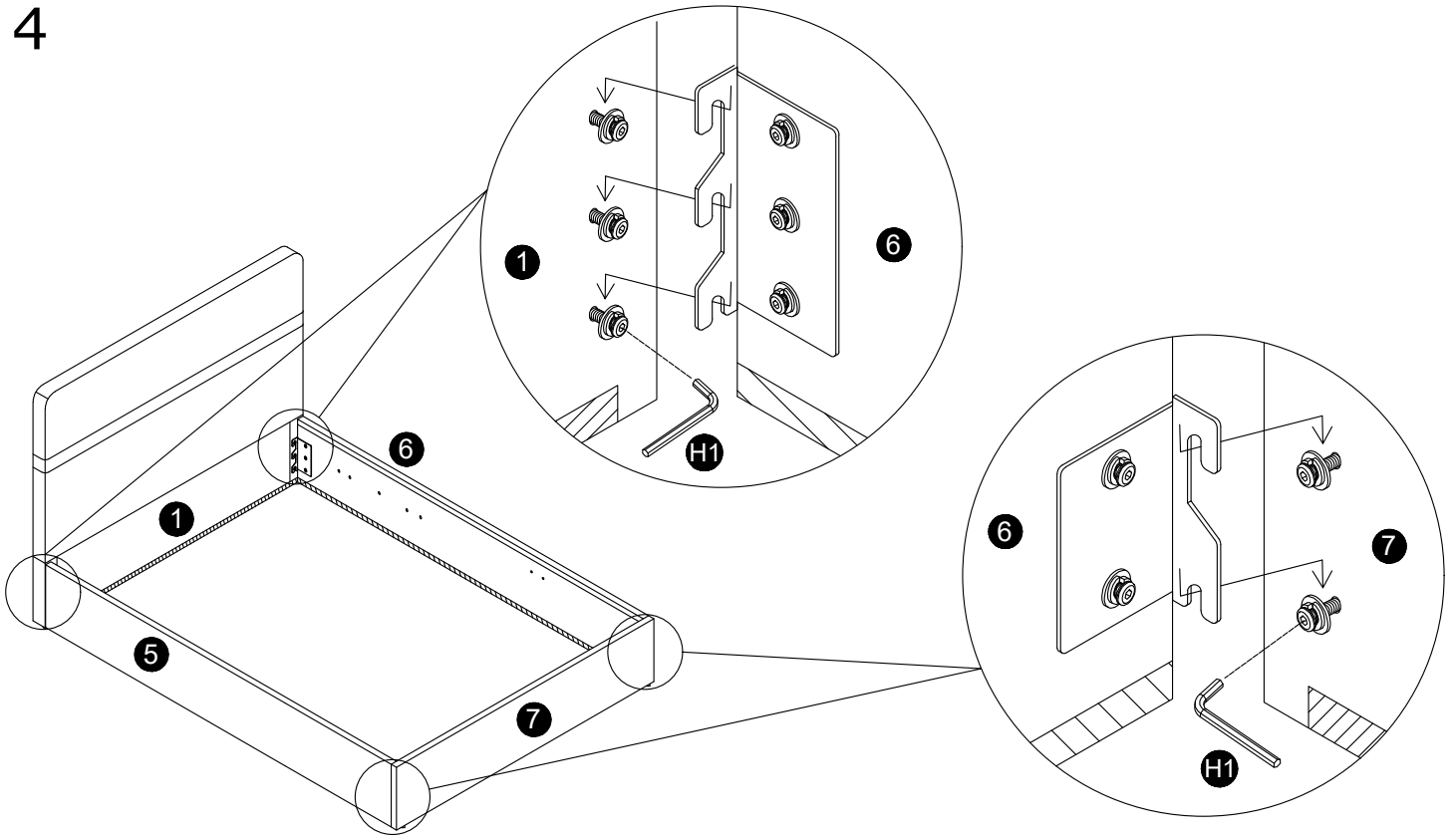
2



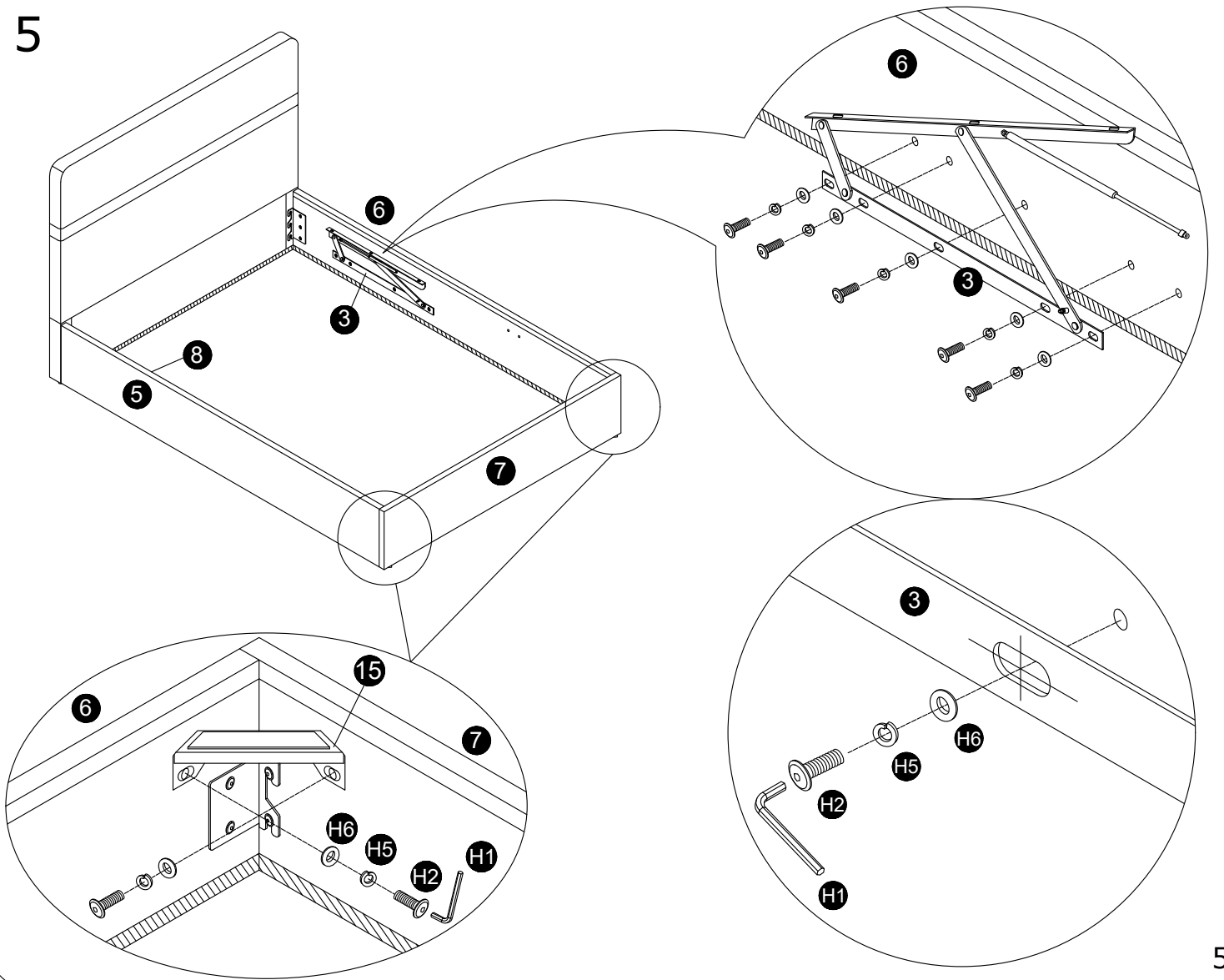
3



4

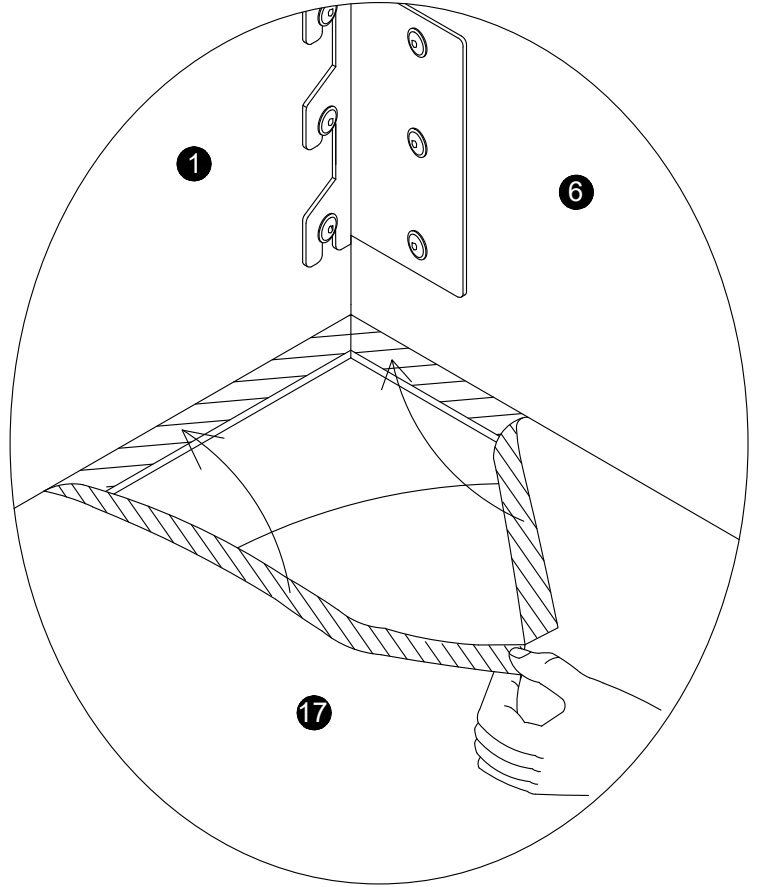
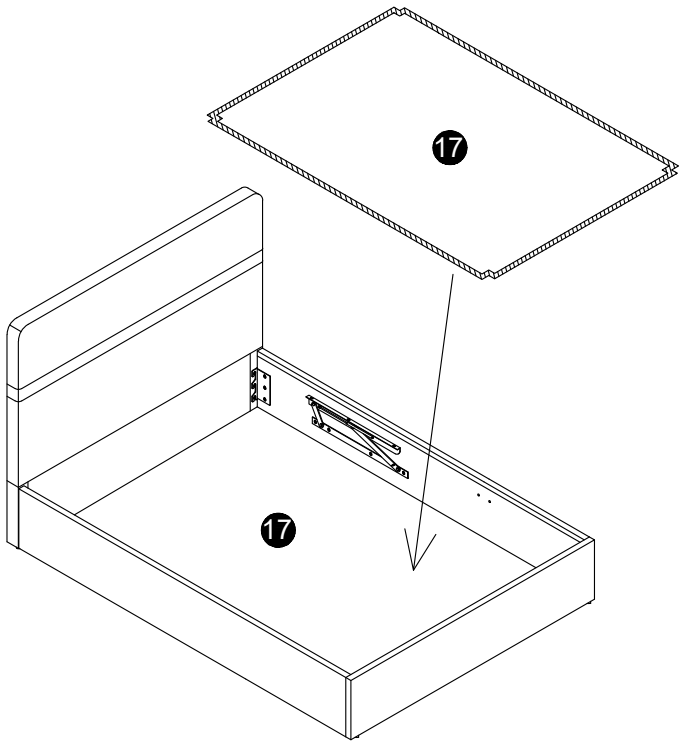


5

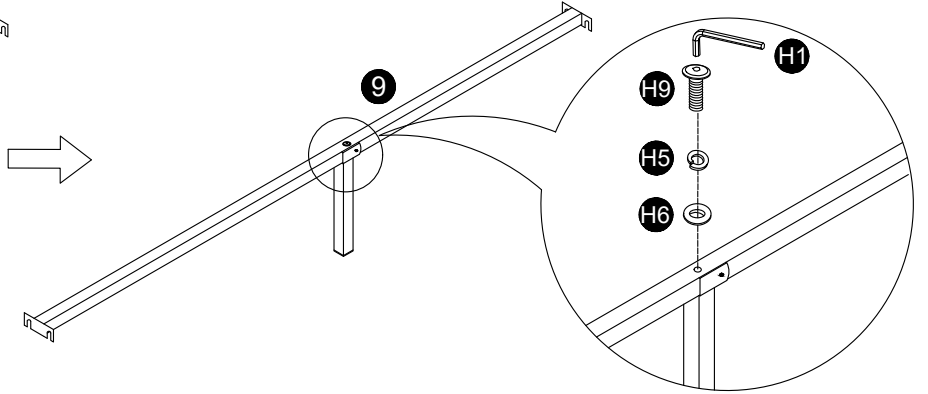
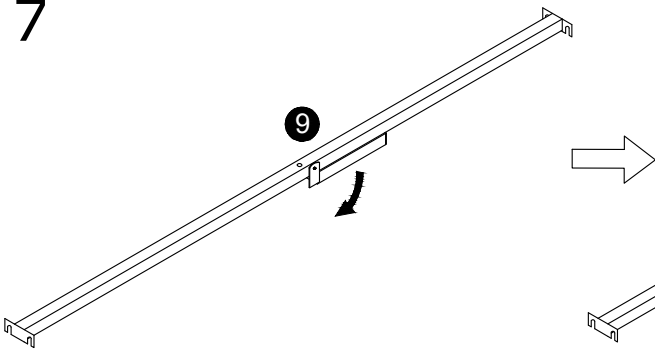


5

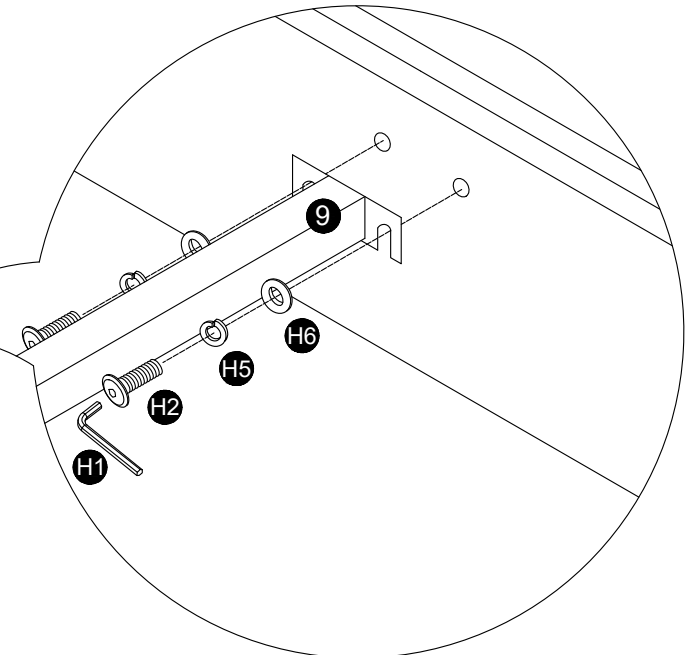
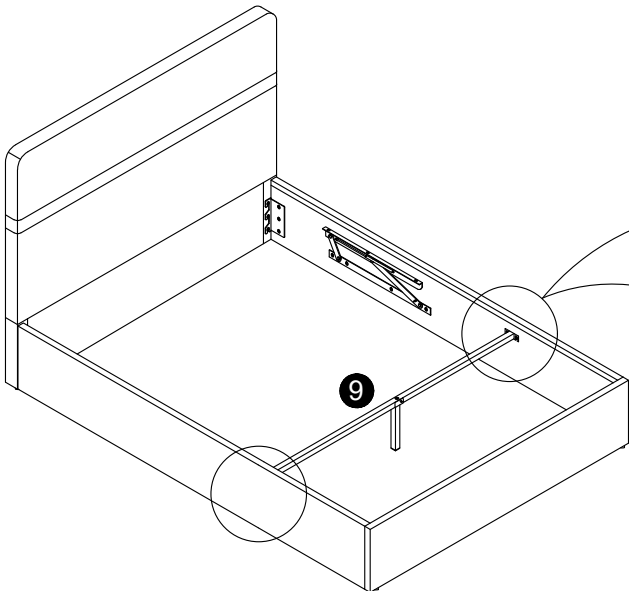
6



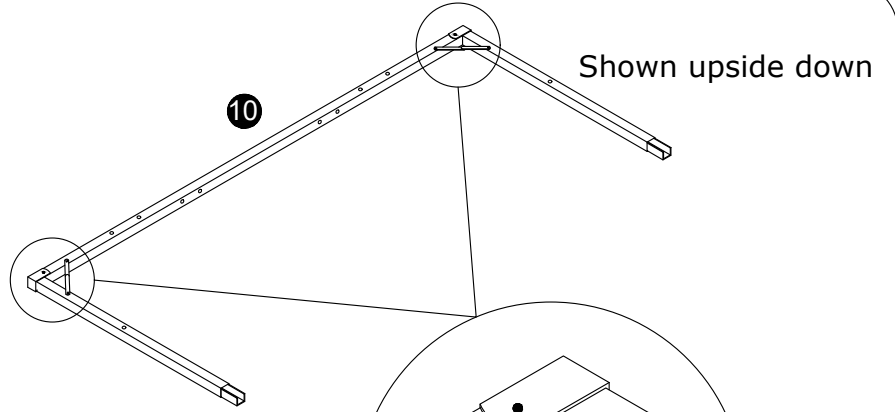
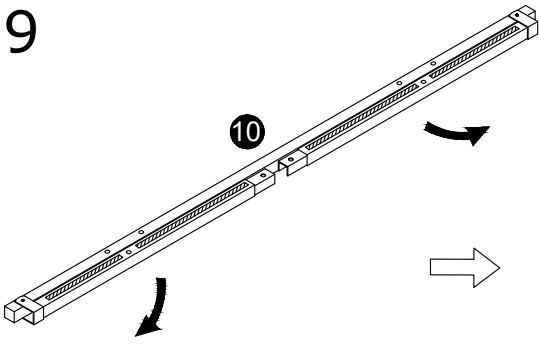
7



8

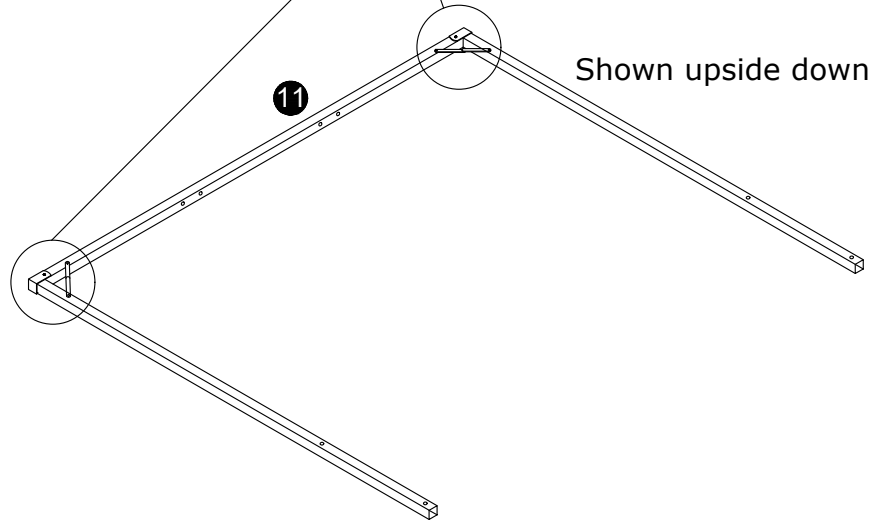
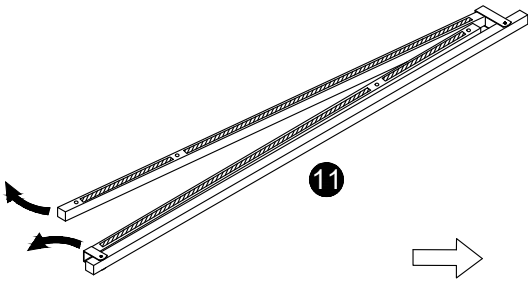


9

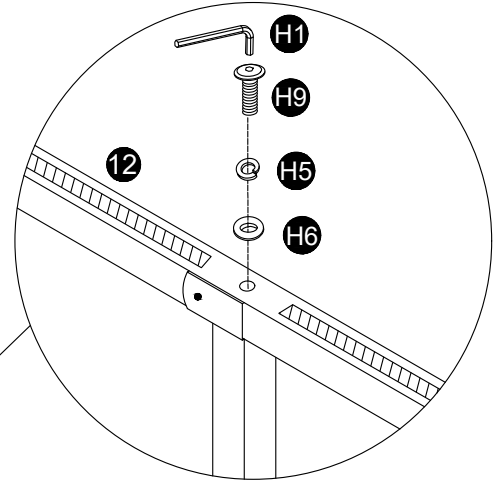
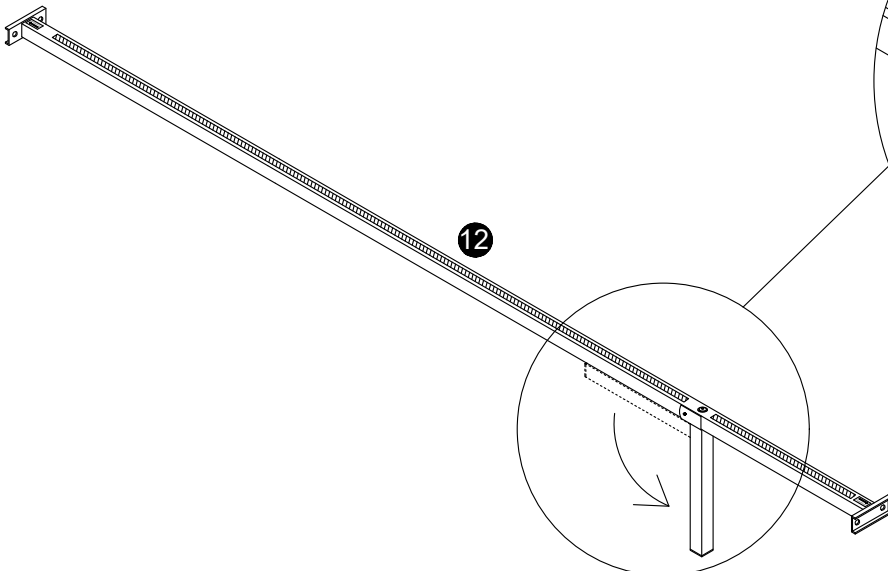


BEWARE OF CLAMP HAND

Straighten the metal connector piece

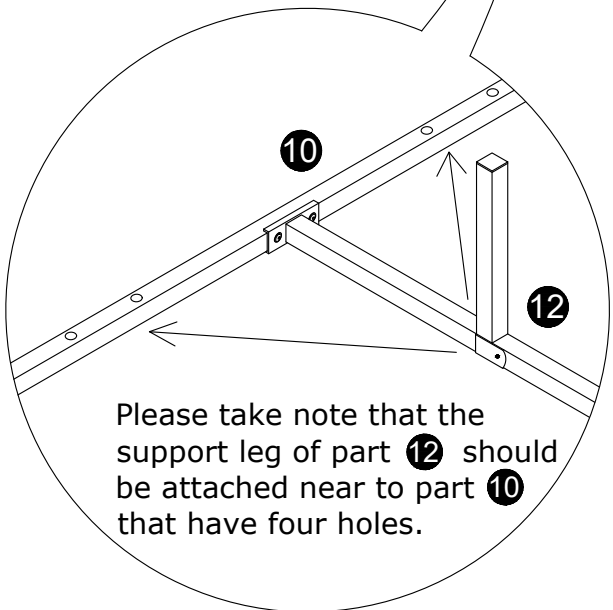
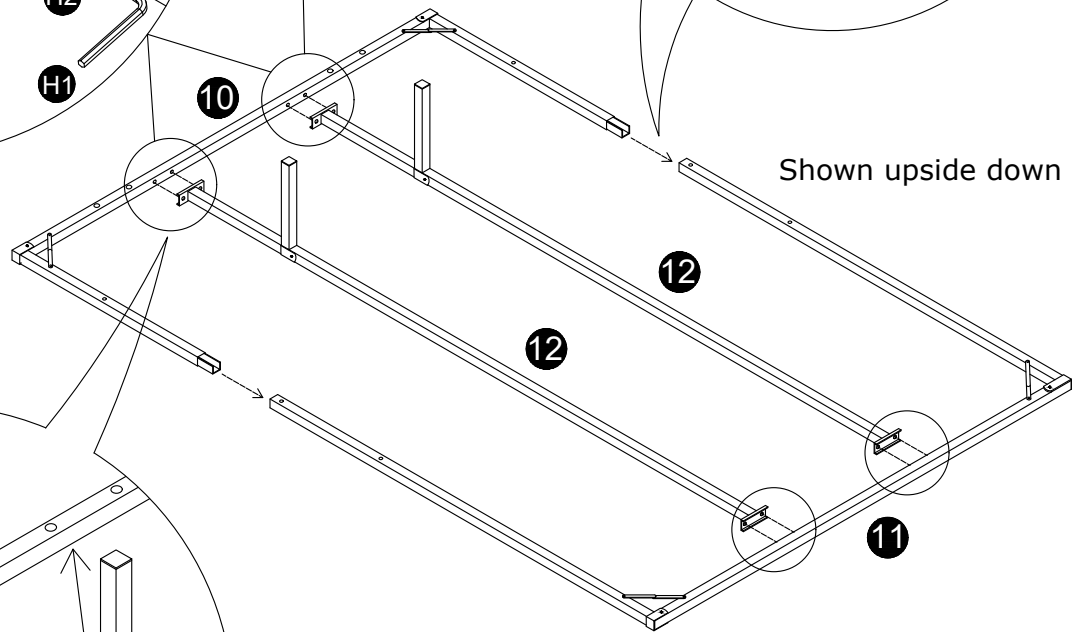
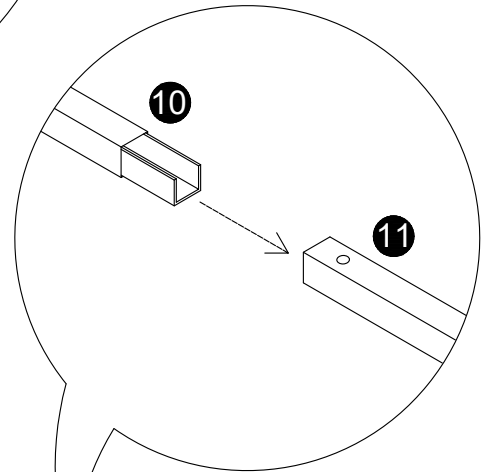
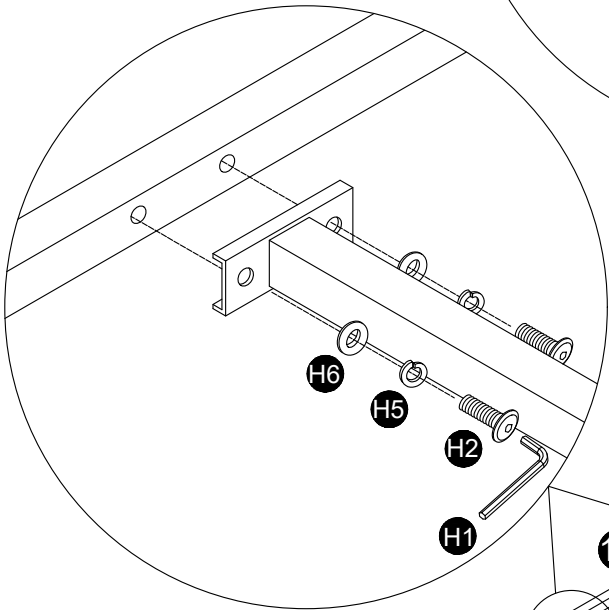
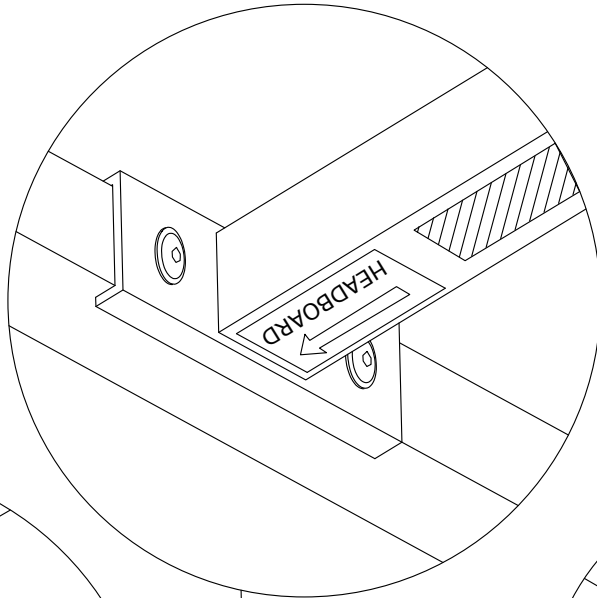


10

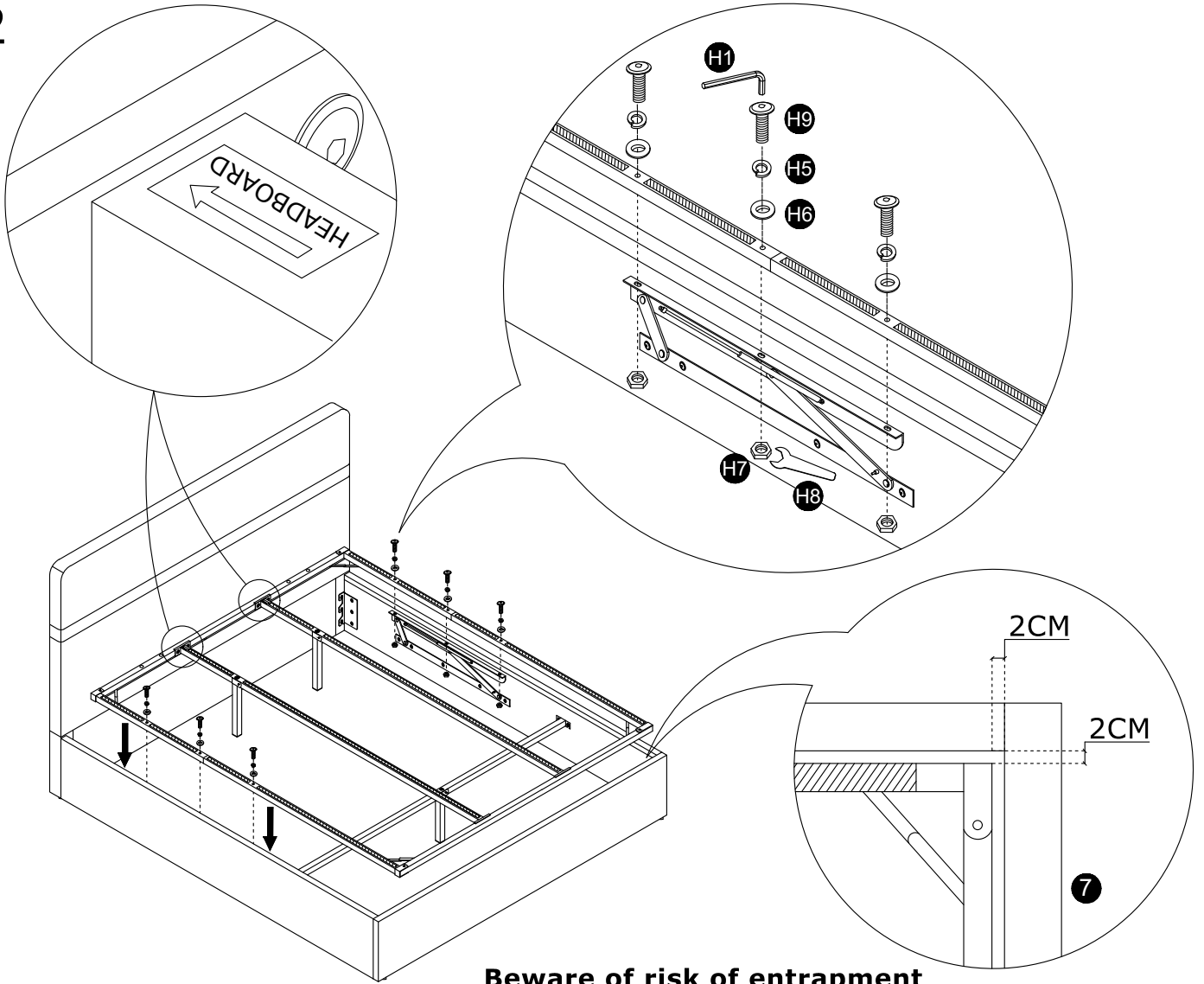


x2

11

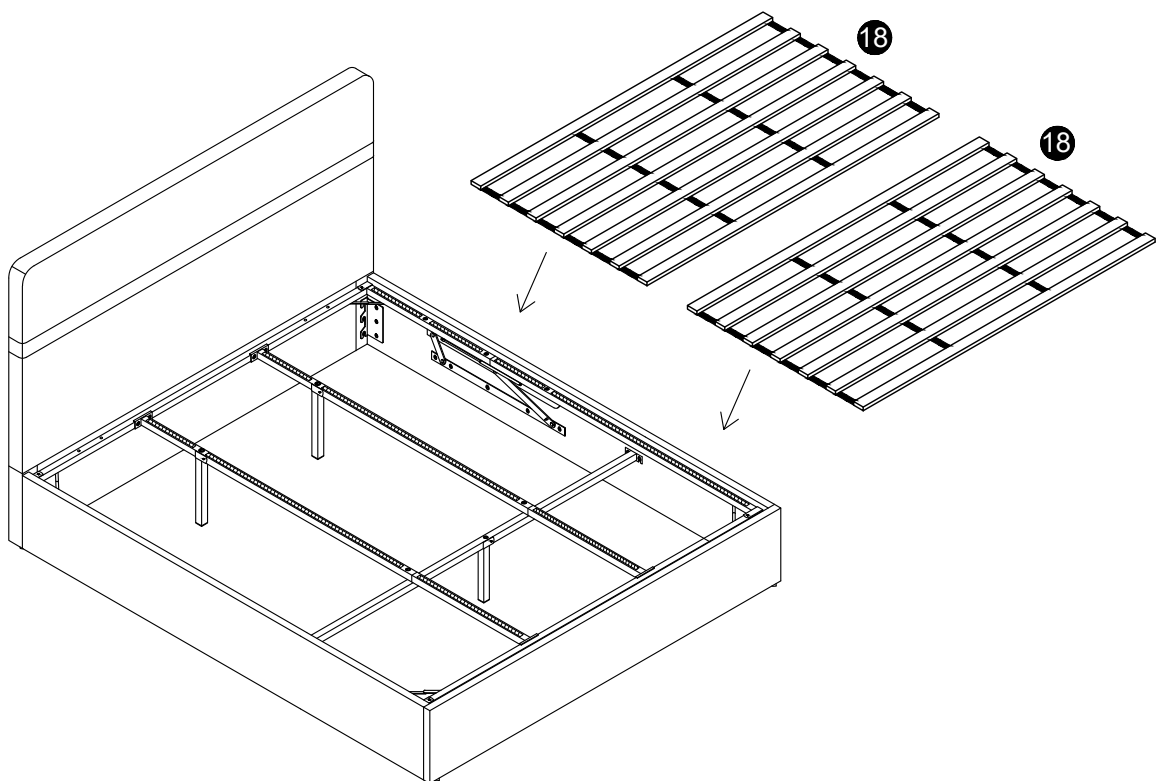


12

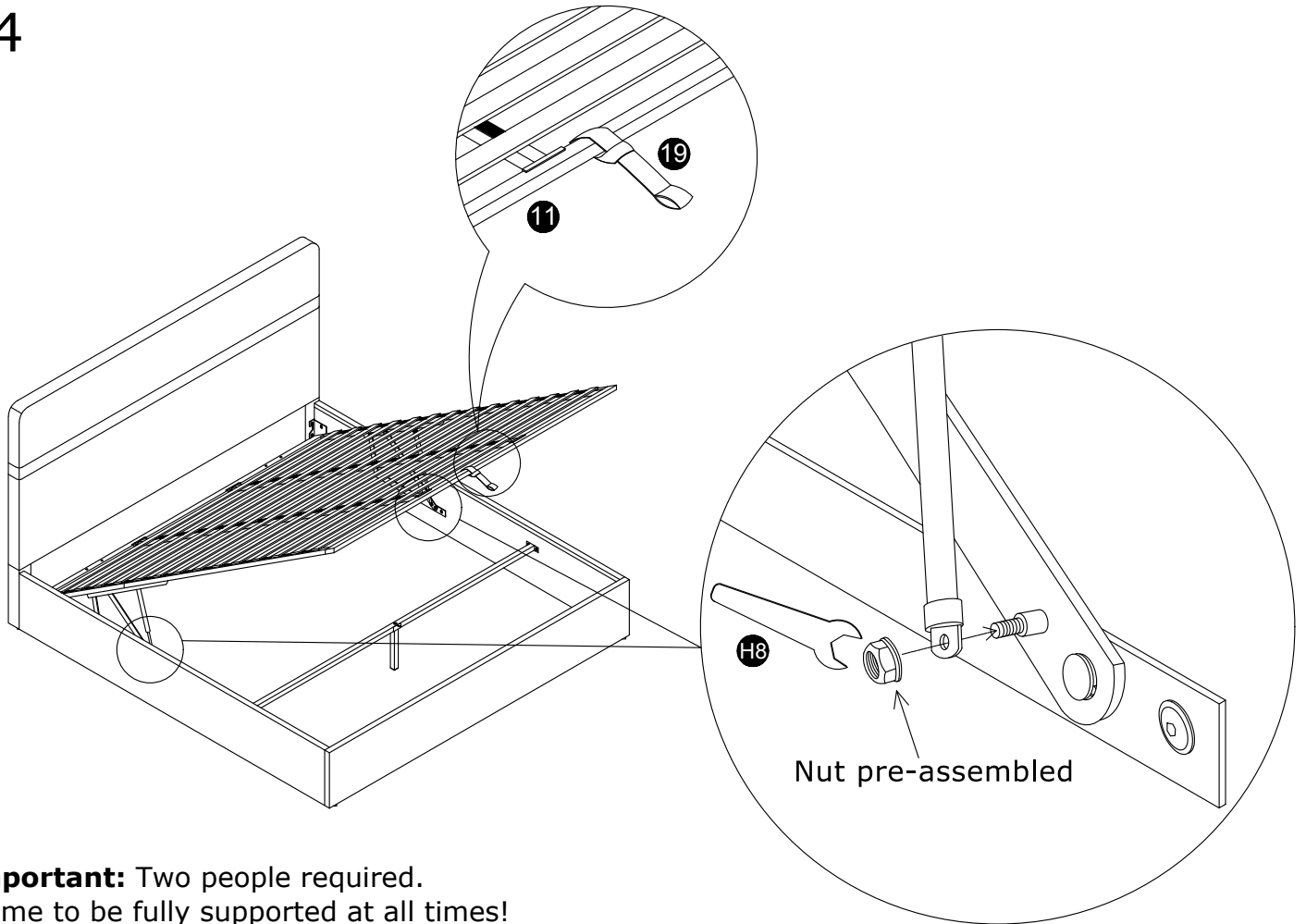


**Beware of risk of entrapment
from folding hinges!**

13

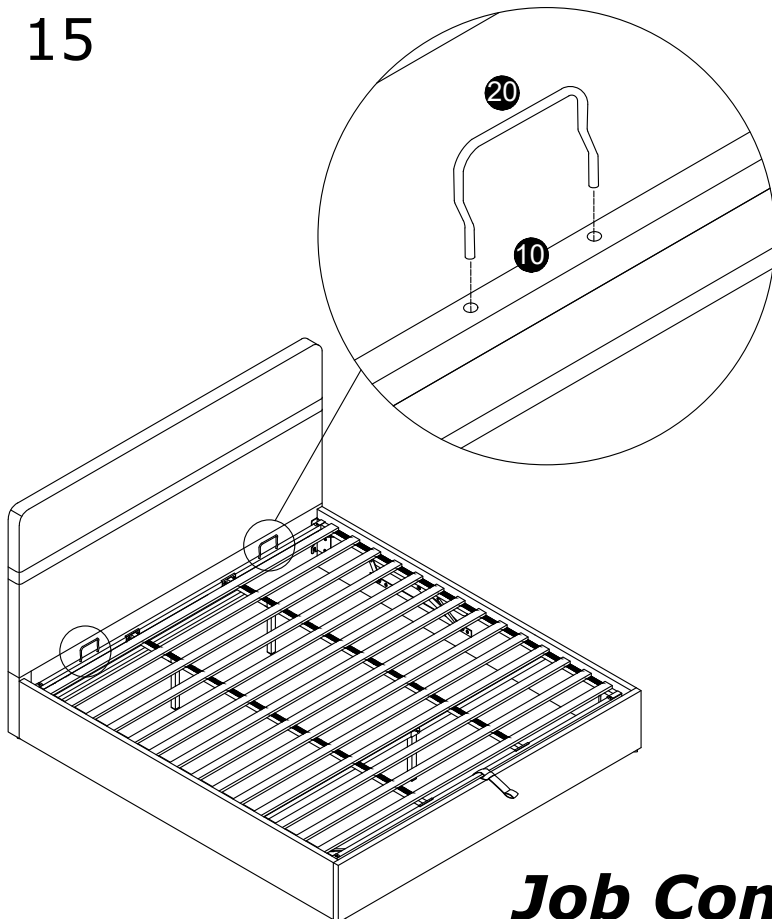


14

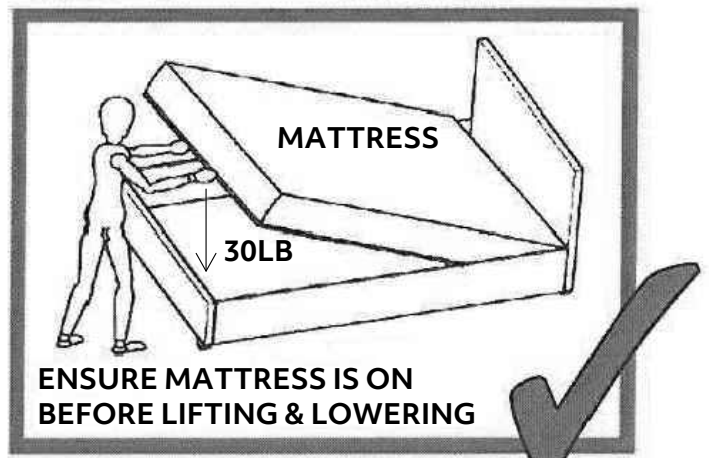


Important: Two people required.
Frame to be fully supported at all times!

15



After placing the mattress on frame,
push down the frame with 30lbs force.



Job Complete !

In the interest of our environment please dispose of all packaging thoughtfully.