

# ASSEMBLY INSTRUCTION

Thank you for purchasing this quality product. Be sure to check all packing material carefully for small parts which may have come loose inside the carton during shipment. Separate, identify and count all parts and hardware. Compare with the parts list to be sure all parts are present.

**IMPORTANT : PLEASE READ INSTRUCTION BEFORE STARTING THE ASSEMBLY.**

**"DO NOT TIGHTEN SCREWS UNTIL COMPLETELY ASSEMBLED"**

**"DO NOT OVERTIGHT ANY HARDWARE"**

**WARNING : SMALL PARTS AND HARDWARE NOT FOR CHILDREN UNDER 3 YEARS. ADULT ASSEMBLY REQUIRED.**

## TABLE OF CONTENTS

HARDWARES LIST

PAGE 2 - 3

PARTS LIST

PAGE 4 - 5

PARTS' LOCATION

PAGE 6

ASSEMBLY STEPS

PAGE 7 - 19

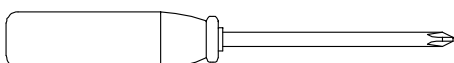
ASSEMBLY COMPLETED

PAGE 19

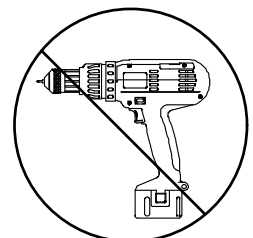
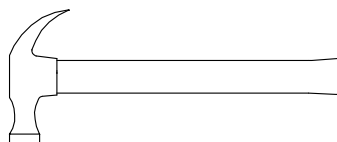
## ASSEMBLY TOOLS REQUIRED

Skip the power drill this time.

**1. Screwdriver (not provide)**




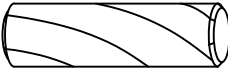
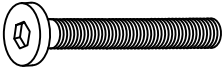

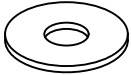

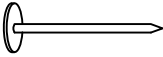


**2. Hammer (not provide)**



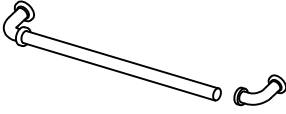

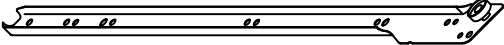
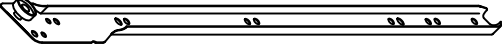


# ASSEMBLY INSTRUCTION

## HARDWARES LIST

ITEM	DESCRIPTION	DRAWING	QTY
A	MINIFIX CAM LOCK		28 PCS
B	MINIFIX CAM BOLT		28 PCS
C	WOOD DOWEL (M8 x 25MM)		20 PCS
D	WOOD DOWEL (M6 x 25MM)		16 PCS
E	JCBC SCREW M6 x 35MM		4 PCS
F	SPRING WASHER M6 x 13MM		4 PCS
G	FLAT WASHER M6 x 19MM		4 PCS
I	TRUSS M-SCREW (20MM)		4 PCS
L	6/8" NAIL		16 PCS

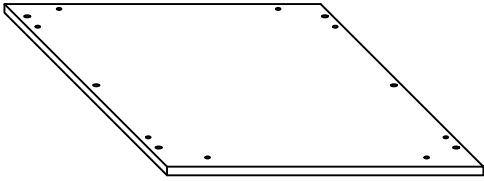
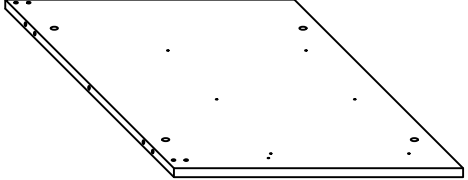
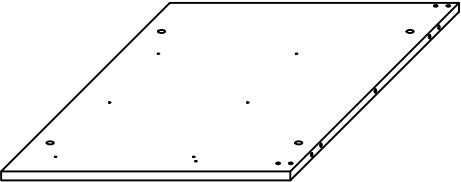
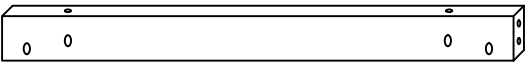

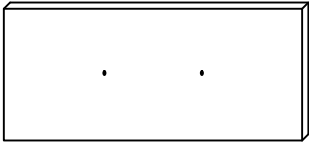
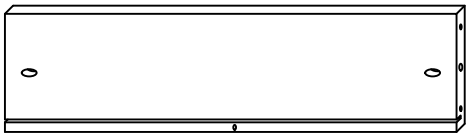

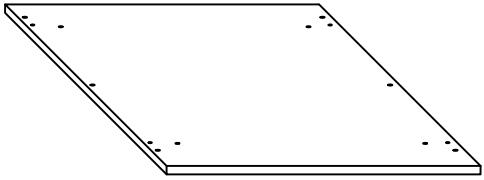
# ASSEMBLY INSTRUCTION

## HARDWARES LIST

ITEM	DESCRIPTION	DRAWING	QTY
M	ADJUSTABLE HANDLE		2 PCS
N	M4 ALLEN KEY (65MM)		1 PC
O	LEFT DRAWER SLIDE		2 PCS
P	RIGHT DRAWER SLIDE		2 PCS
Q	CSK SCREW M3 x 10mm		16 PCS
R	PLASTIC STRIP (H SHAPE)		1 PC

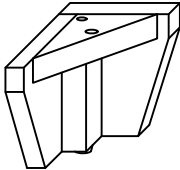
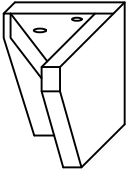
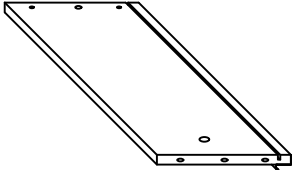
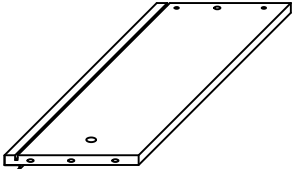
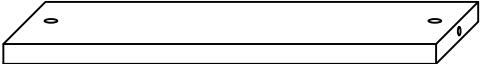
# ASSEMBLY INSTRUCTION

## PARTS LIST

ITEM	DESCRIPTION	DRAWING	QTY
N1	TOP PANEL		1 PC
N2	LEFT PANEL		1 PC
N3	RIGHT PANEL		1 PC
N4	TOP SUPPORT RAIL		2 PCS
N6	BACK PANEL		2 PCS
N7	DRAWER HEAD		2 PCS
N8	DRAWER BACK PANEL		2 PCS
N9	DRAWER BOTTOM PANEL		2 PCS
N10	BOTTOM PANEL		1 PC

# ASSEMBLY INSTRUCTION

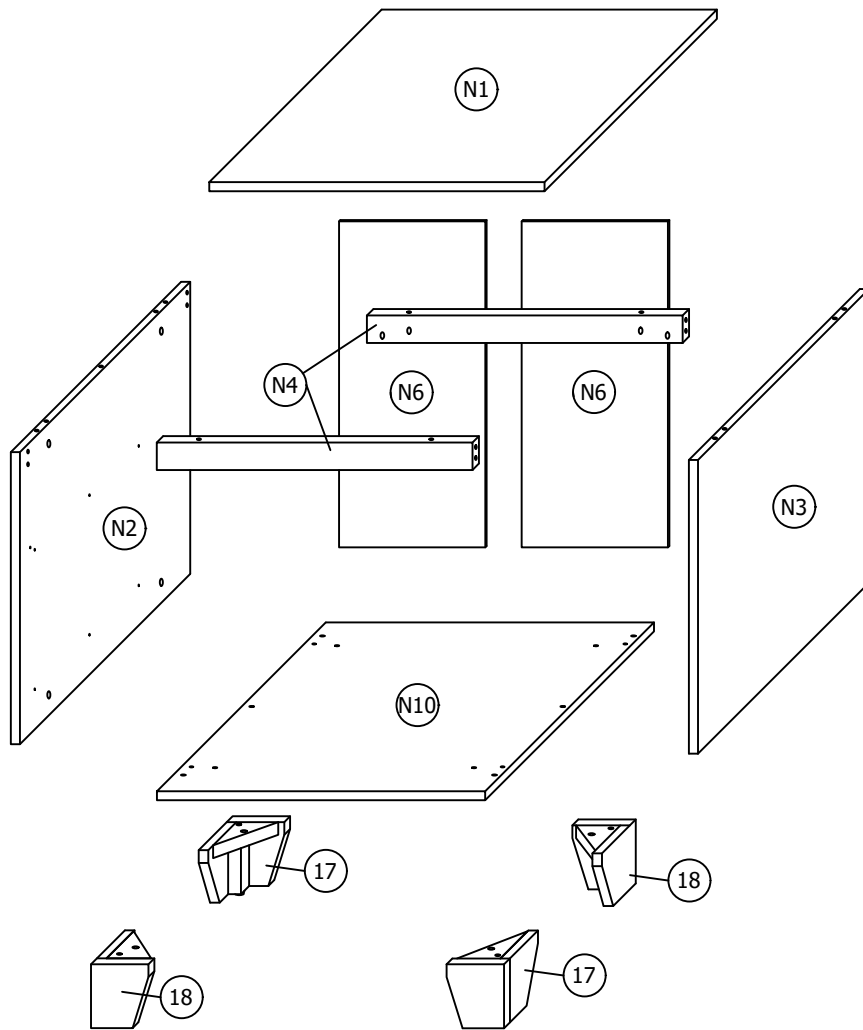
## PARTS LIST

ITEM	DESCRIPTION	DRAWING	QTY
17	LEG (i)		2 PCS
18	LEG (ii)		2 PCS
19	DRAWER LEFT PANEL		2 PCS
20	DRAWER RIGHT PANEL		2 PCS
21	DRAWER BOTTOM SUPPORT RAIL		2 PCS

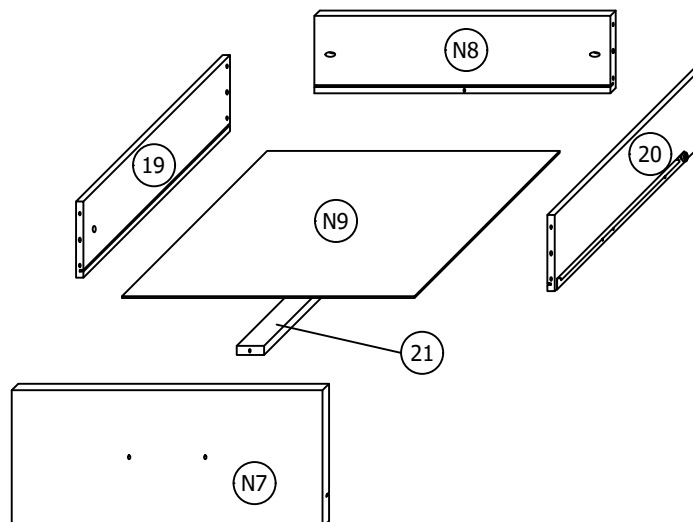
# ASSEMBLY INSTRUCTION

## PARTS ' LOCATION

NIGHTSTAND x 1 PC



DRAWER x 2 PCS

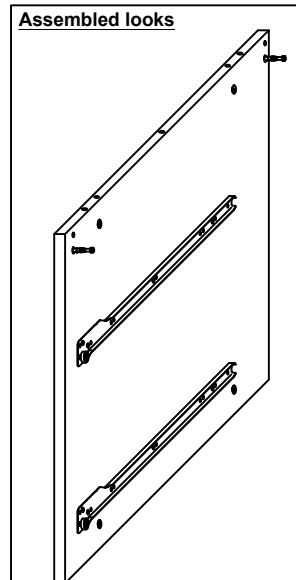
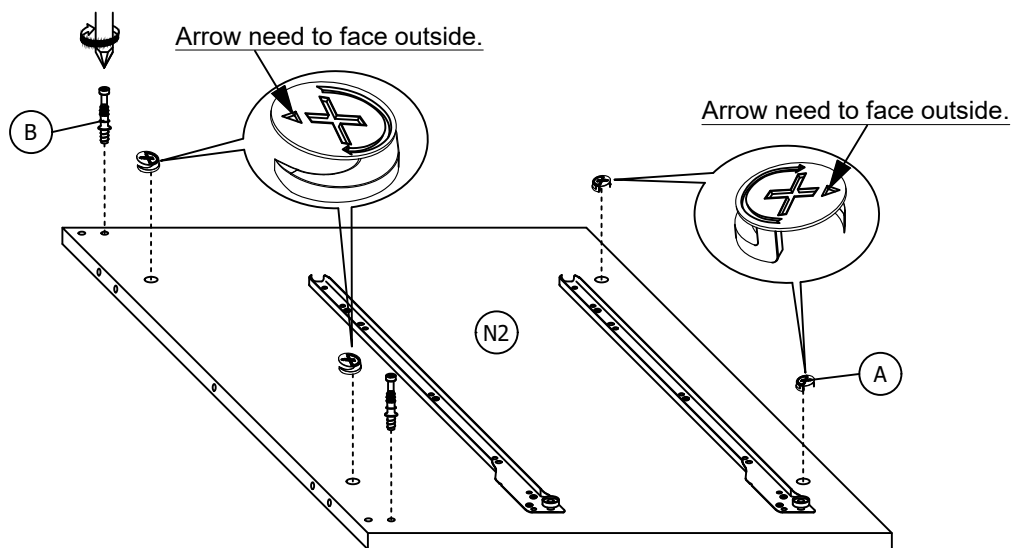
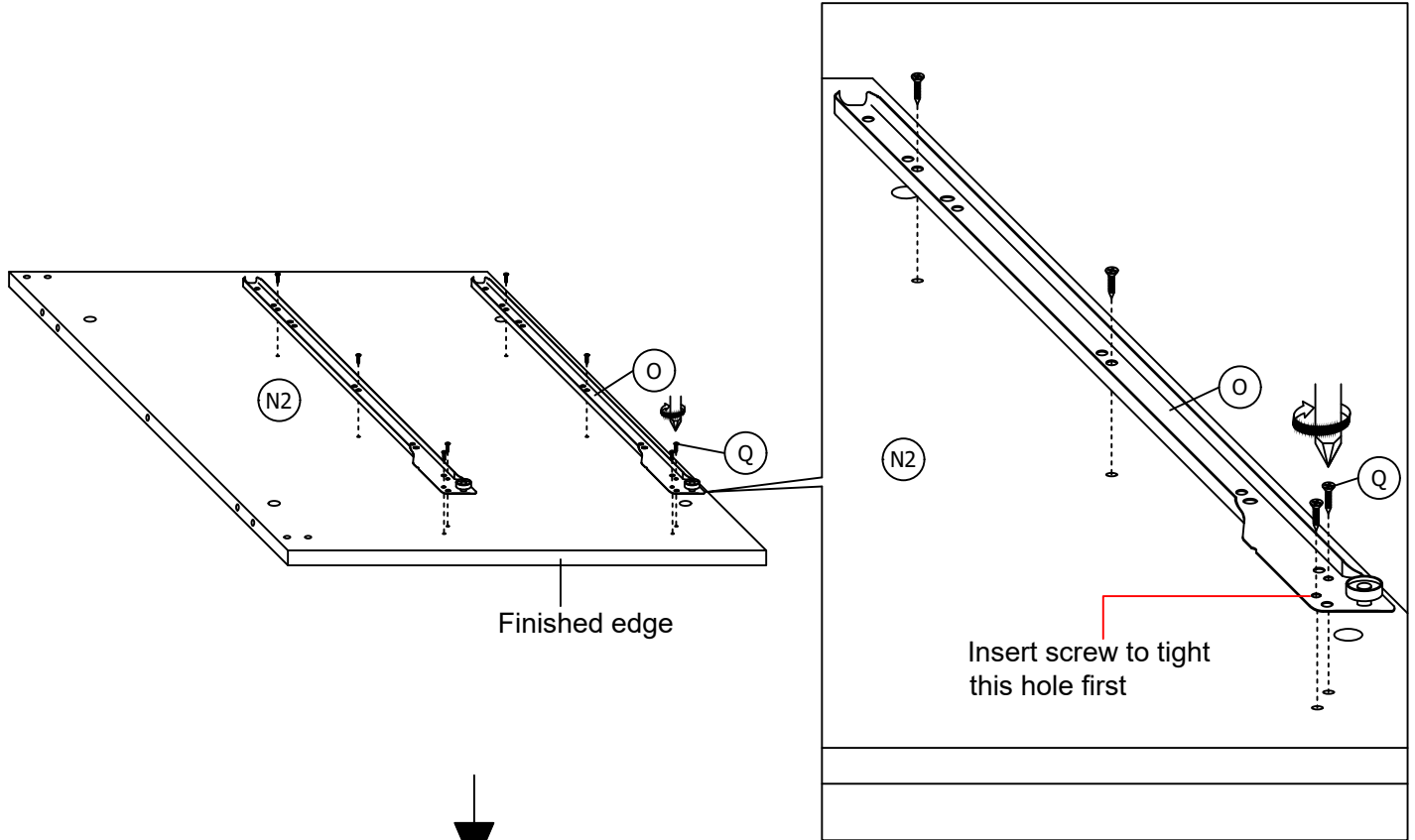


# ASSEMBLY INSTRUCTION

## ASSEMBLY STEPS

### STEP 1

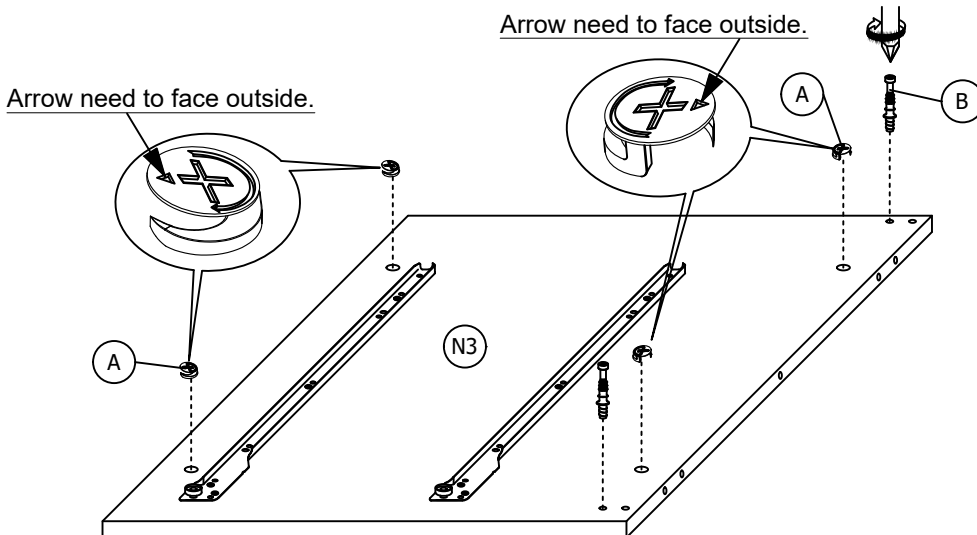
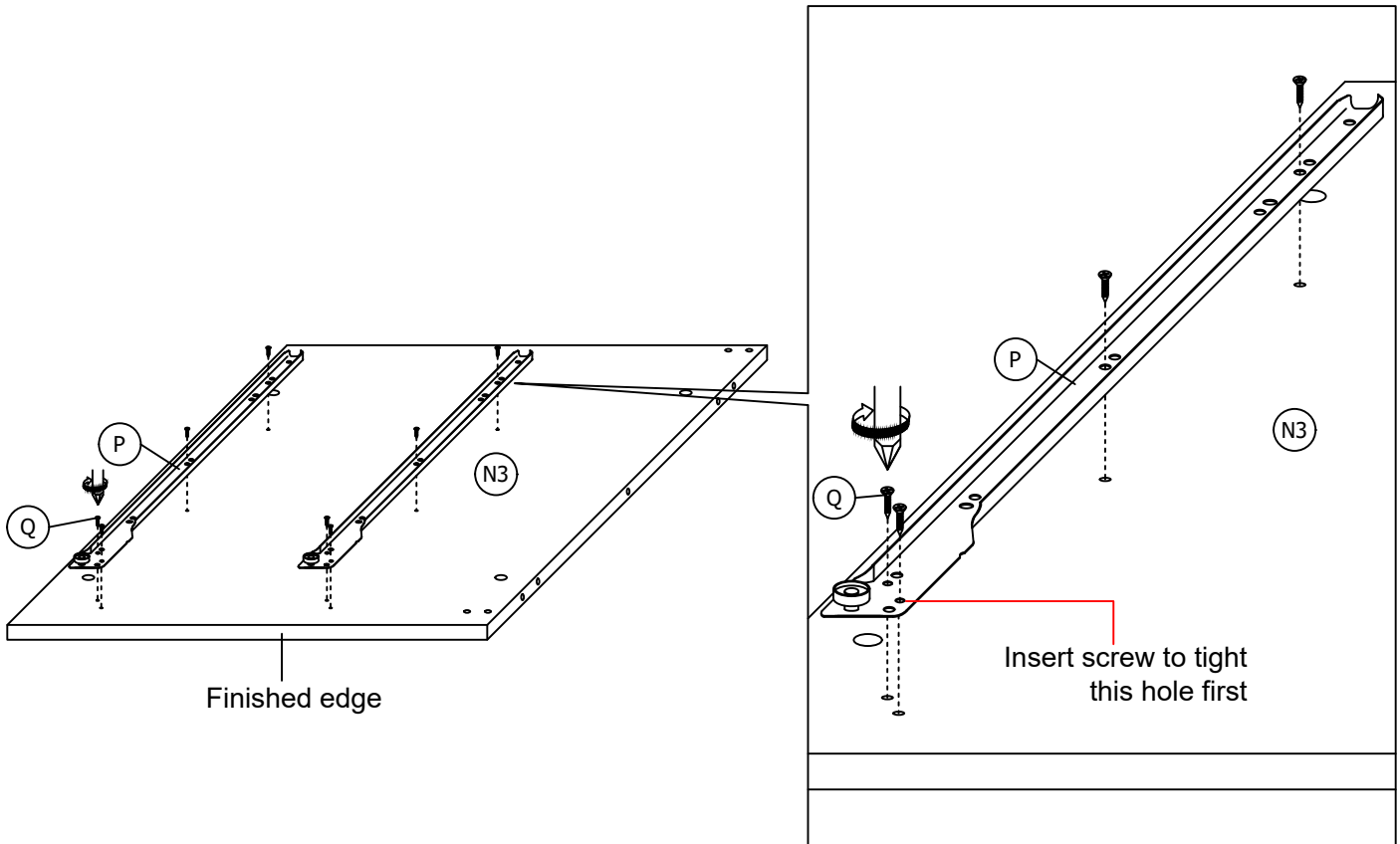
Fix the 2 pieces (O) to the (N2) by using 8 pieces (Q). Then insert 4 pieces (A) and 2 pieces (B) as shown.



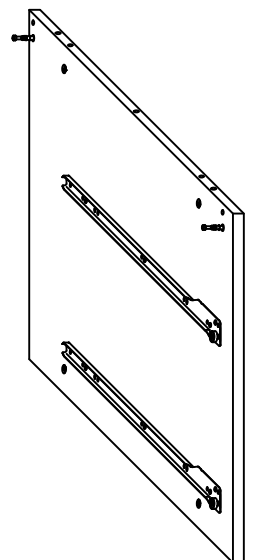
# ASSEMBLY INSTRUCTION

## STEP 2

Fix the 2 pieces (P) to the (N3) by using the remaining 8 pieces (Q). Then insert 4 pieces (A) and 2 pieces (B) as shown.



### Assembled looks

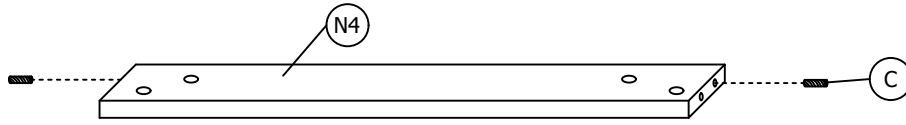


# ASSEMBLY INSTRUCTION

## STEP 3

Insert 4 pieces (A) and 2 pieces (C) to the (N4) as shown.

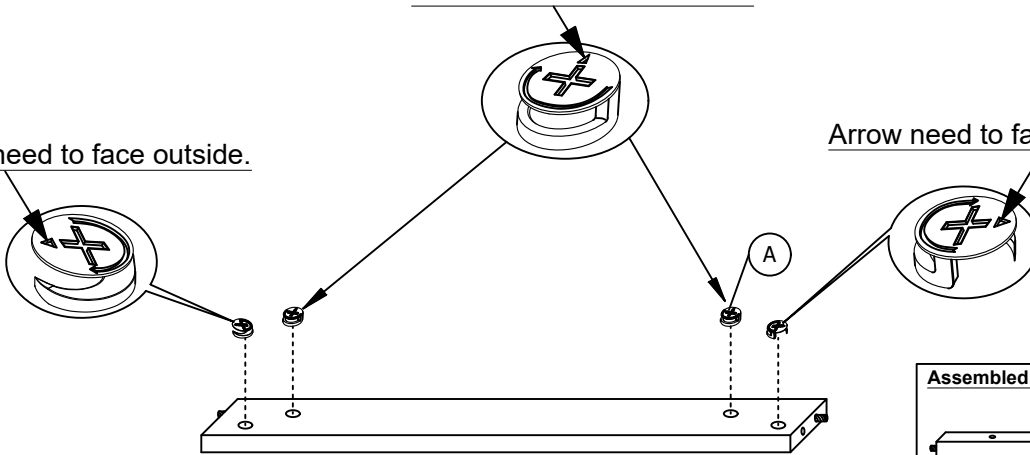
**x 2**



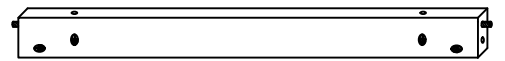
Arrow need to face outside.

Arrow need to face outside.

Arrow need to face outside.

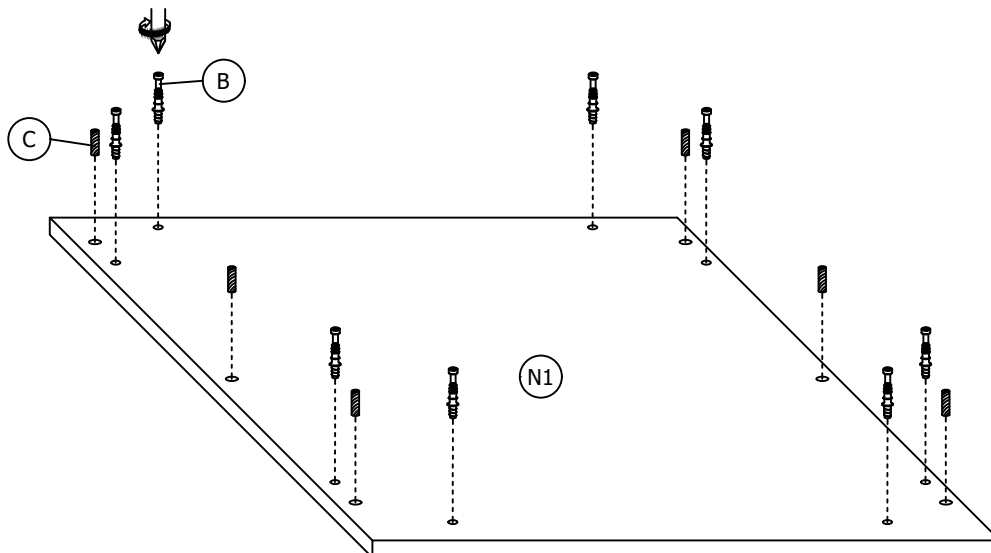


**Assembled become like this**

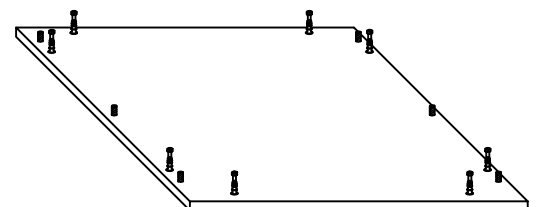


## STEP 4

Insert 8 pieces (B) and 6 pieces (C) to the (N1) as shown.



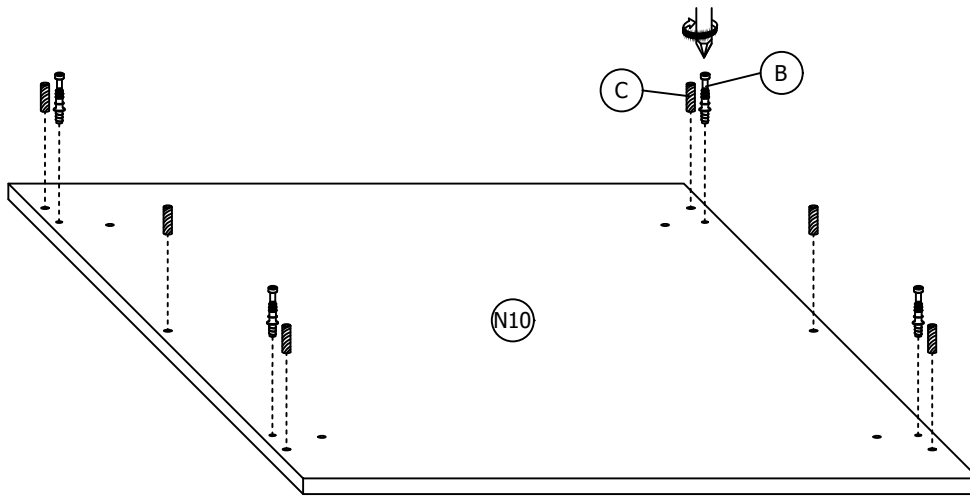
**Assembled looks**



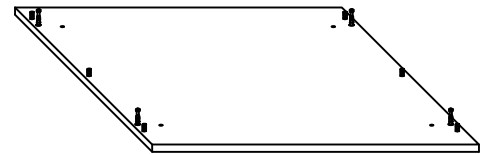
# ASSEMBLY INSTRUCTION

## STEP 5

Insert 4 pieces (B) and 6 pieces (C) to the (N10) as shown.

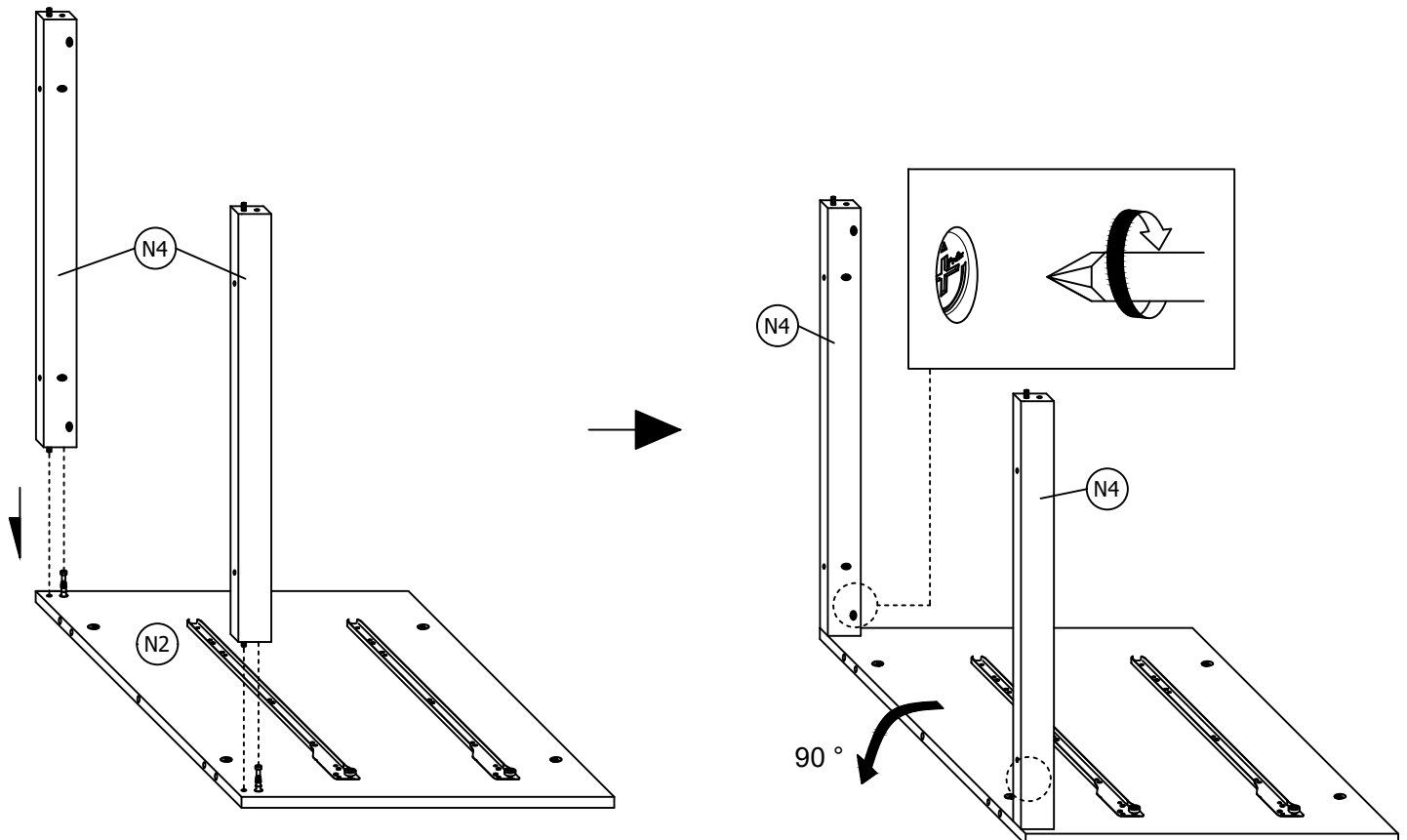


Assembled looks



## STEP 6

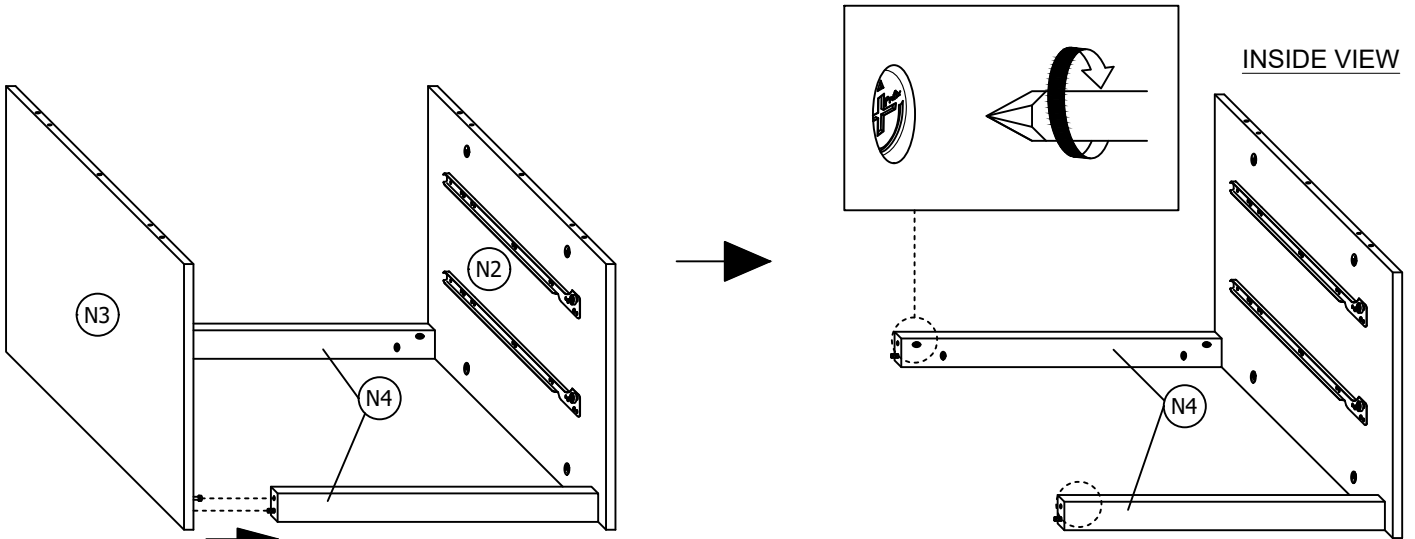
Combine the (N4) to the (N2) and tighten the 2 pieces (A)-(pre insert in step 3) as shown.



# ASSEMBLY INSTRUCTION

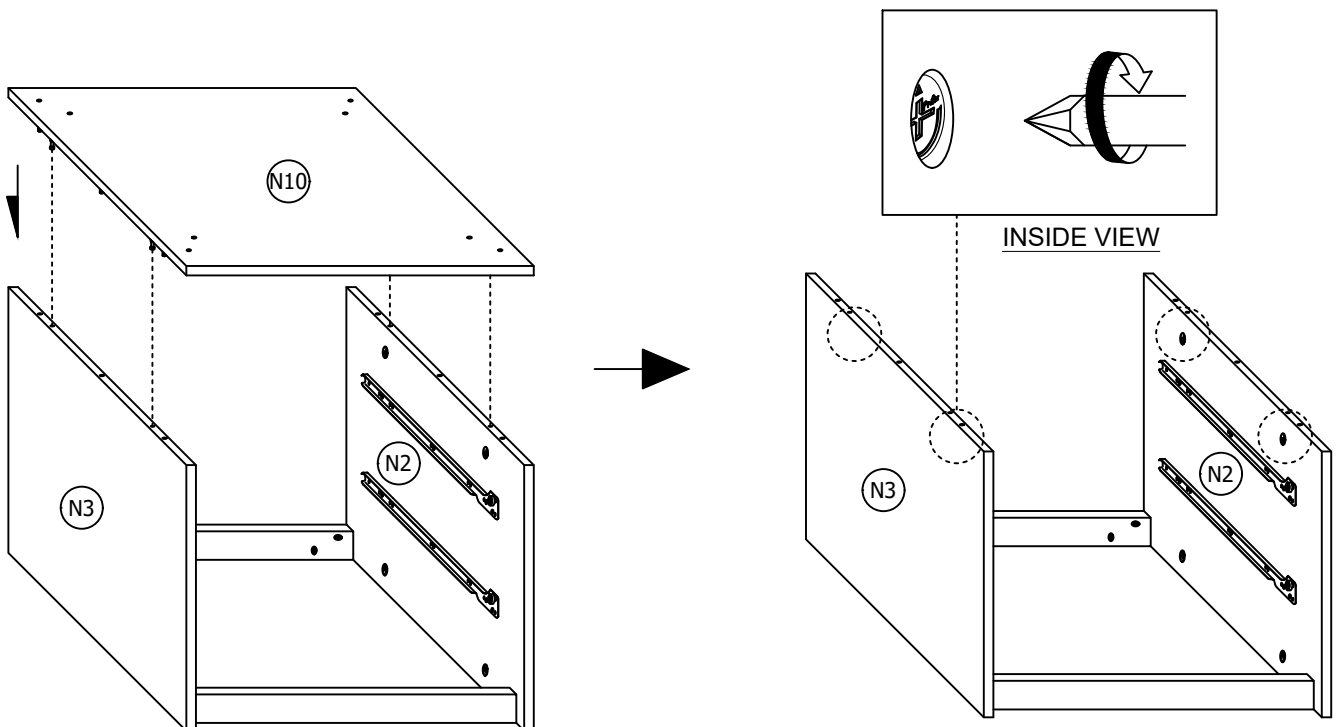
## STEP 7

Combine the (N3) to the (N4) and tighten the another 2 pieces (A)-(pre insert in step 3) as shown.



## STEP 8

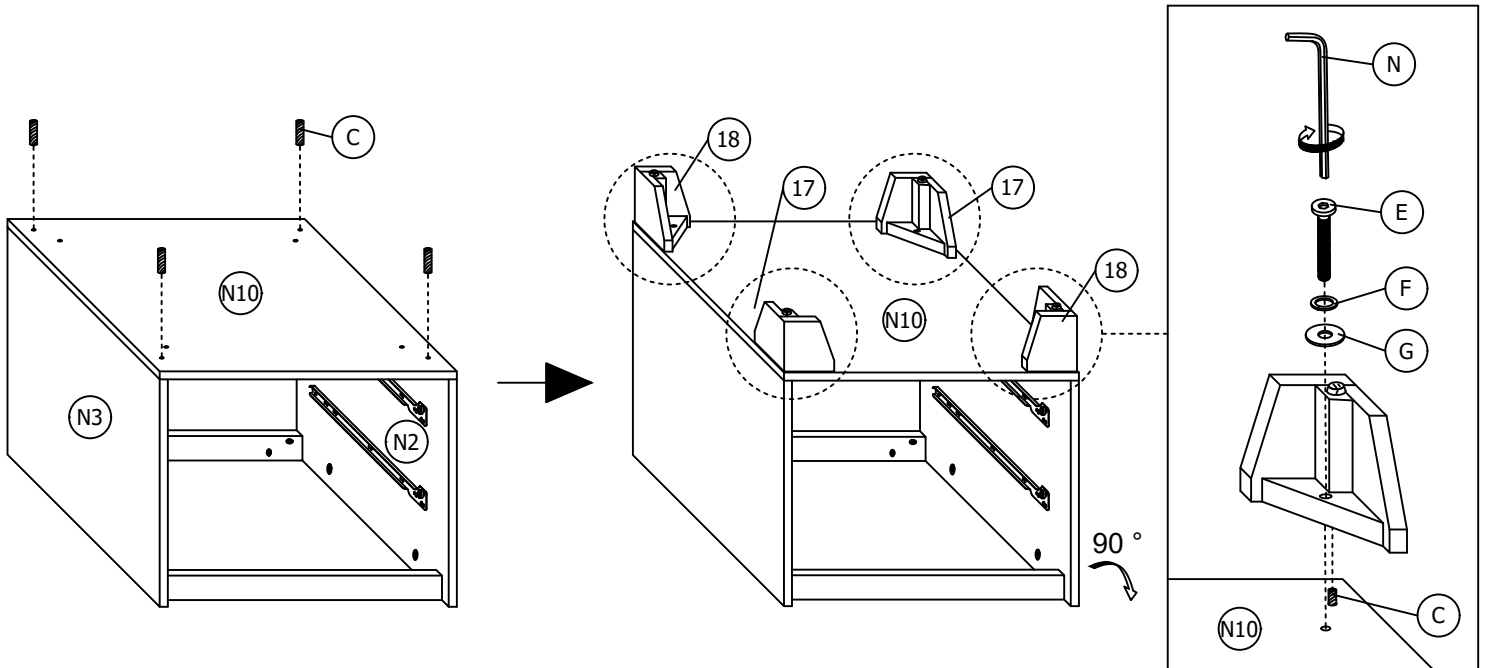
Combine the (N10) to the (N2),(N3) then tighten the 4 pieces (A)-(pre insert in step 1 and 2) as shown.



# ASSEMBLY INSTRUCTION

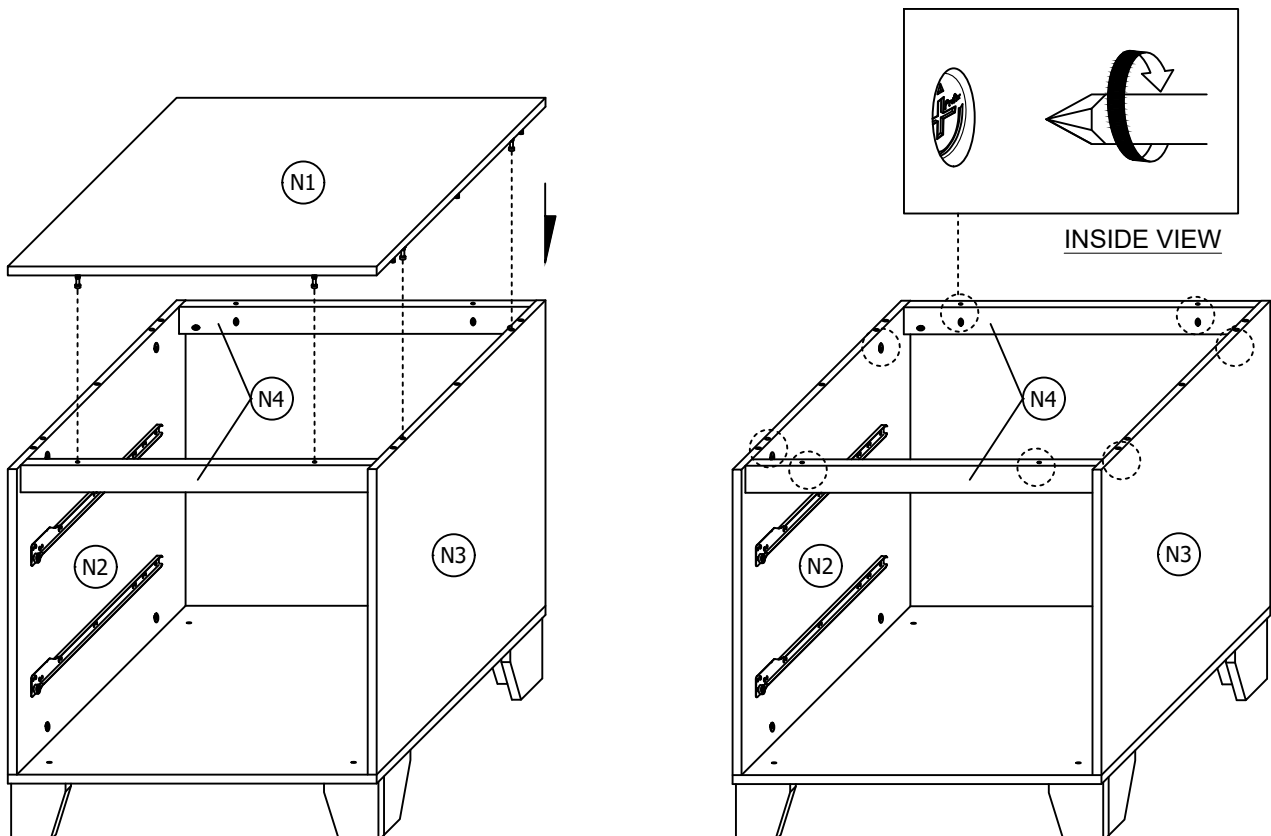
## STEP 9

Insert 4 pieces (C),(E),(F) and (G) to combine the (17) and (18) to the (N10) as shown.



## STEP 10

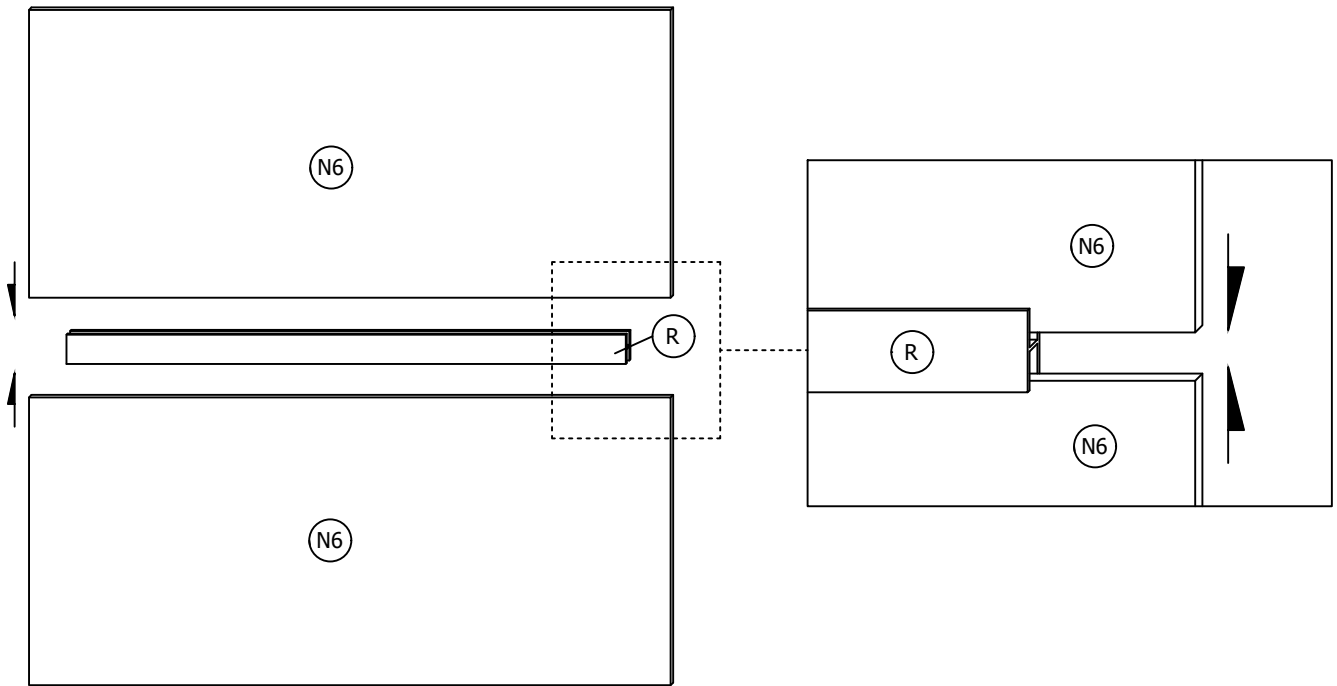
Combine the (N1) to the frame then tighten the remaining 8 pieces (A)-(pre insert in step 1 to 3) as shown.



# ASSEMBLY INSTRUCTION

## STEP 11

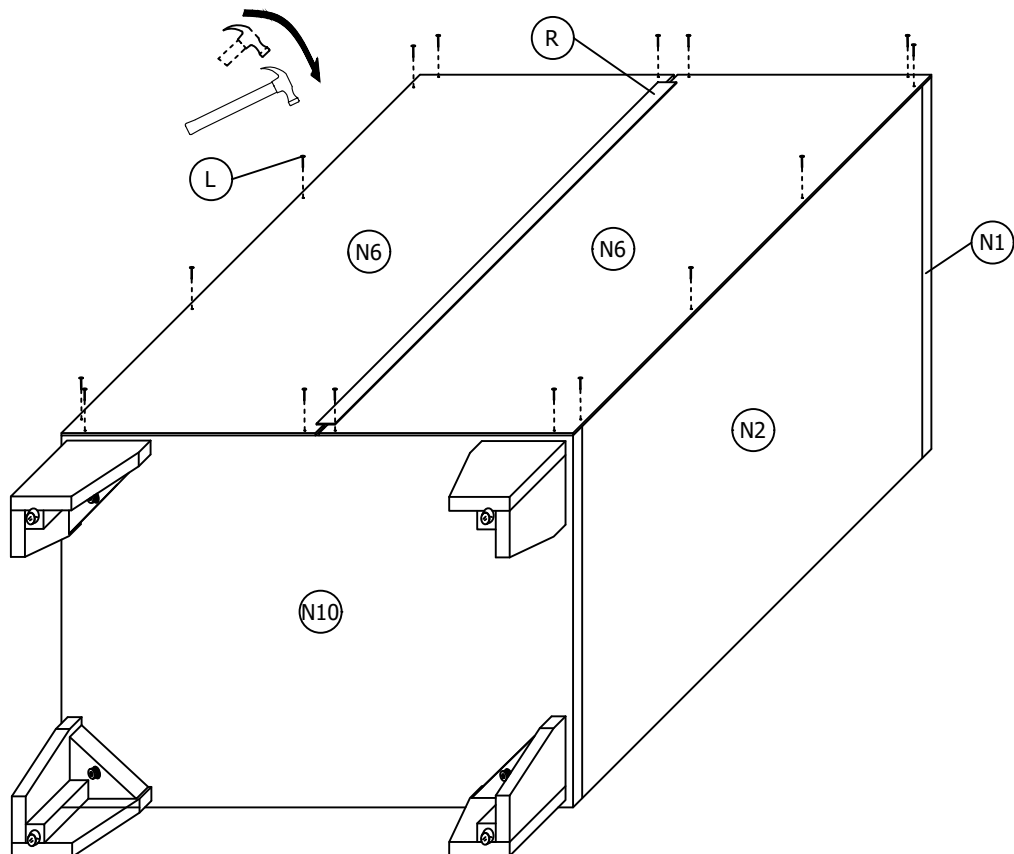
Put the (N6) to the gap of (R) as shown. Direction of the side with colored paper must be the same.



## STEP 12

Insert the 16 pieces (L) to fix the (N6) as shown. Colored paper face to outside.

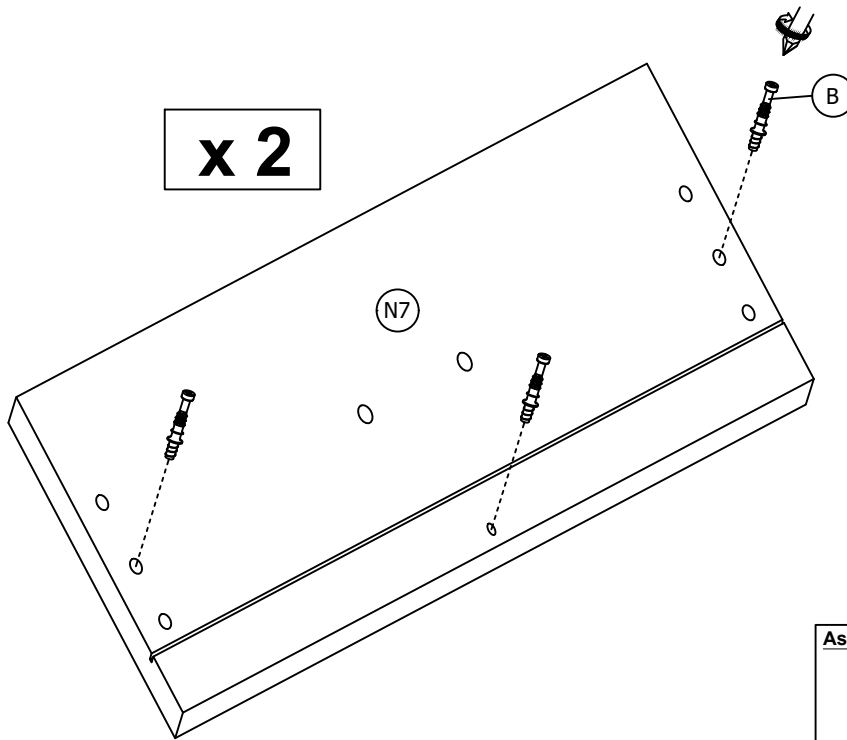
To prevent blocking (N1) and (N10), make sure the (R) at the middle of (N6), do not over high or lower.



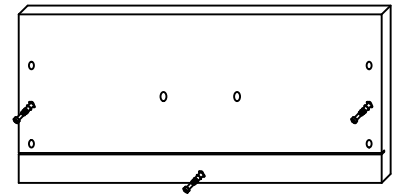
# ASSEMBLY INSTRUCTION

## STEP 13

Insert 3 pieces (B) to the (N7) as shown.

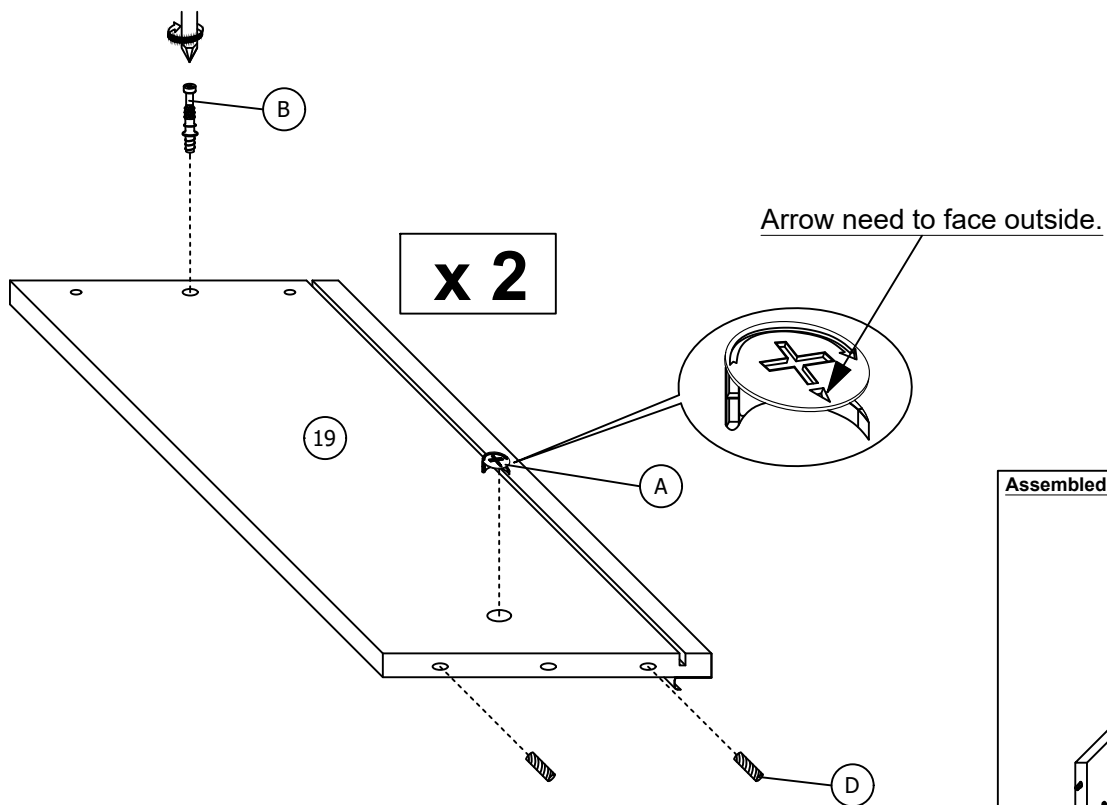


Assembled looks

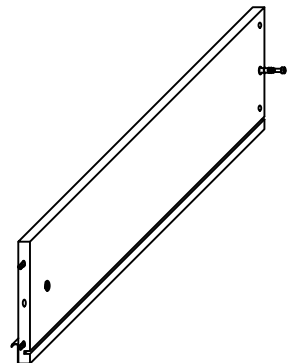


## STEP 14

Insert 1 piece (A),(B) and 2 pieces (D) to (19) as shown.



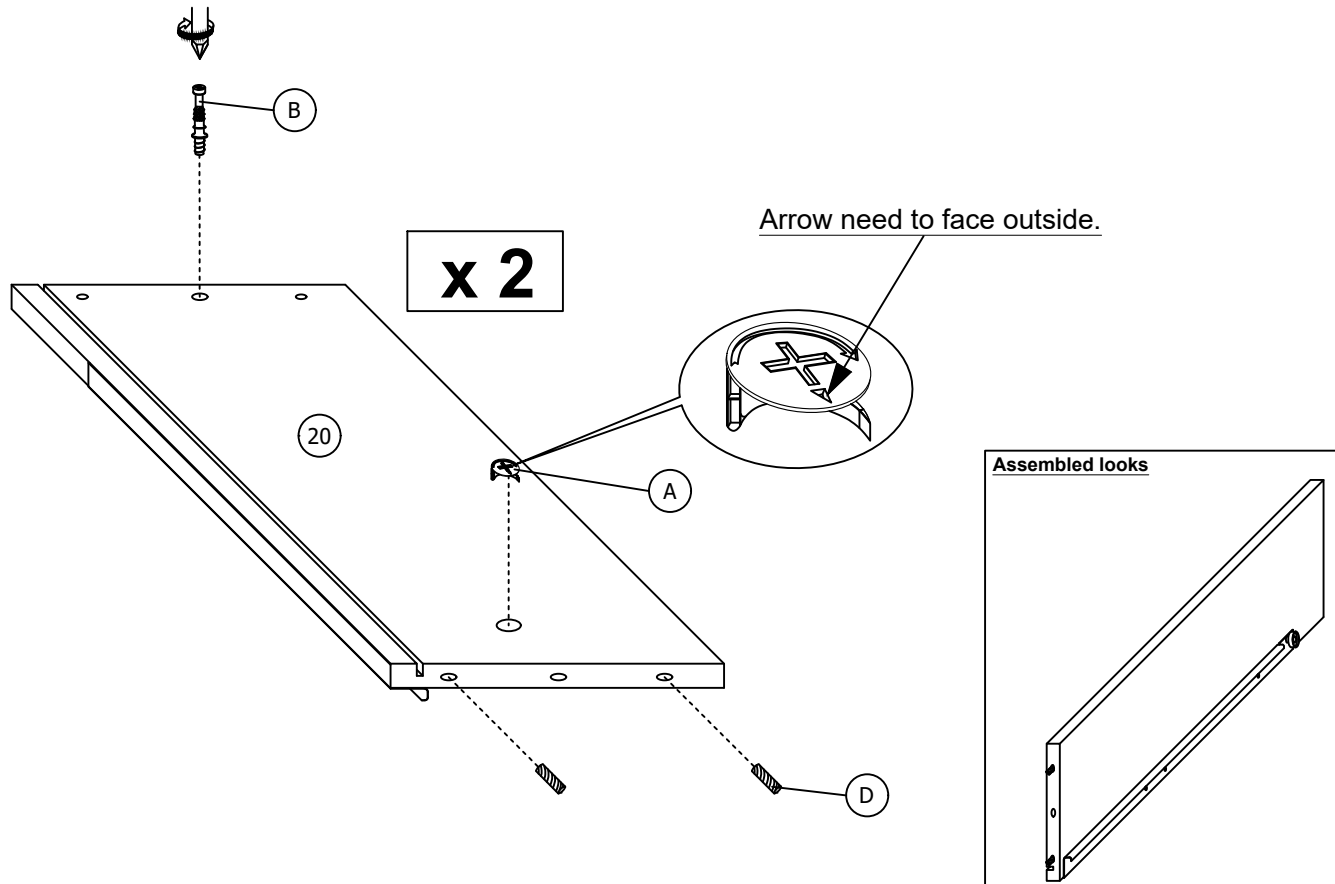
Assembled looks



# ASSEMBLY INSTRUCTION

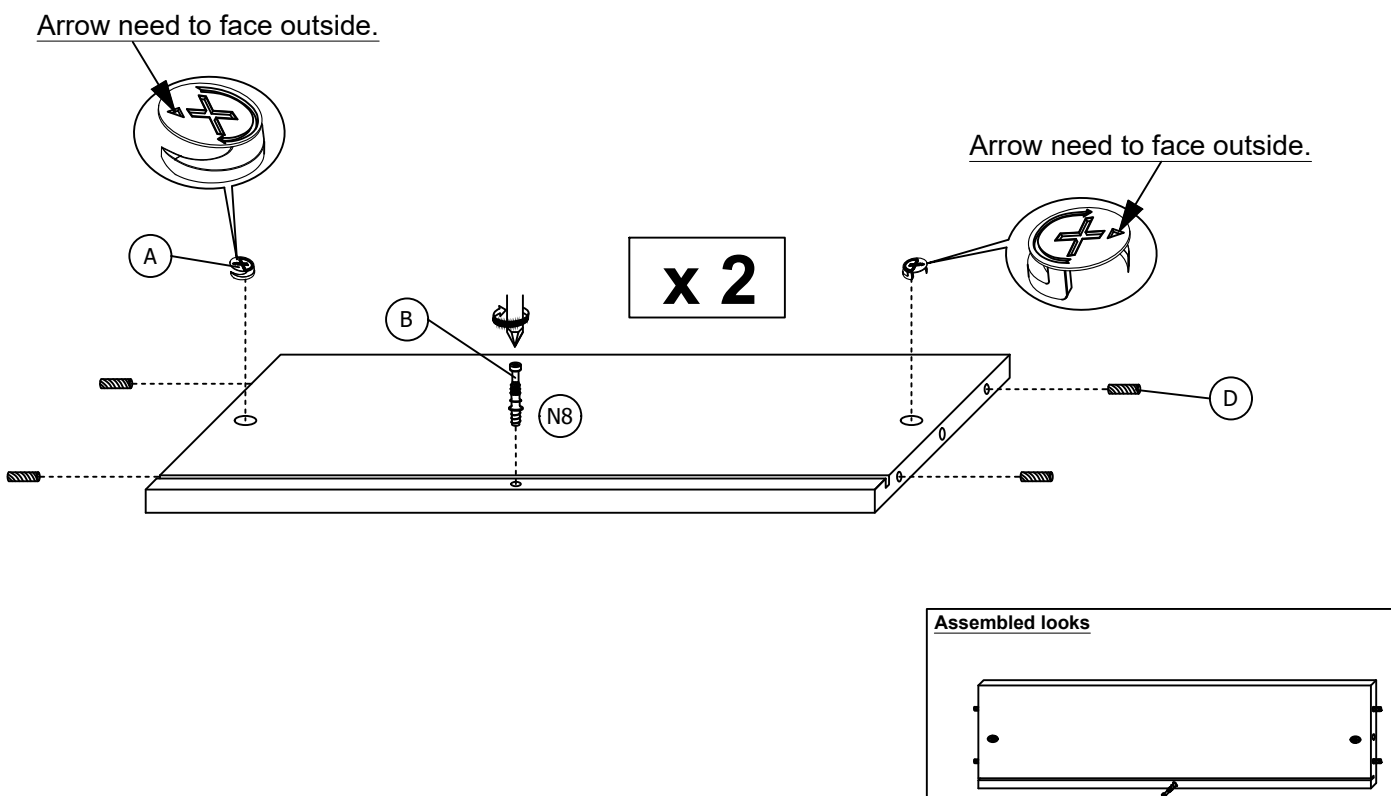
## STEP 15

Insert 1 piece (A),(B) and 2 pieces (D) to (20) as shown.



## STEP 16

Insert 2 pieces (A) , 1 piece (B) and 4 pieces (D) to (N8) as shown.



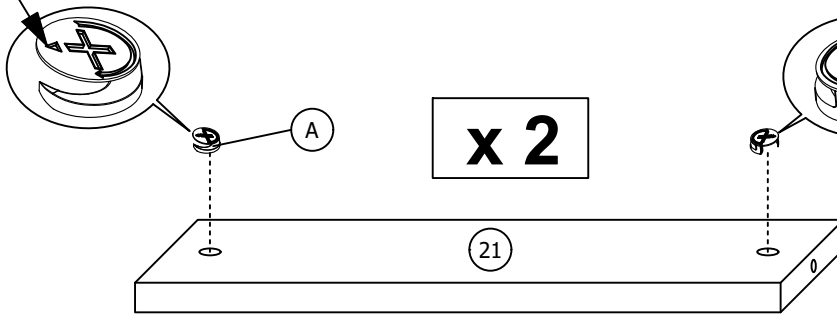
# ASSEMBLY INSTRUCTION

## STEP 17

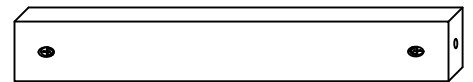
Insert 2 pieces (A) to (21) as shown.

Arrow need to face outside.

Arrow need to face outside.



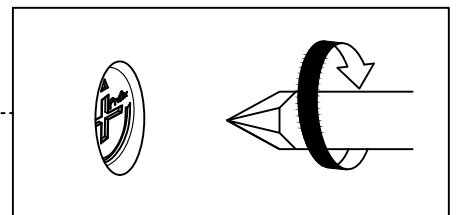
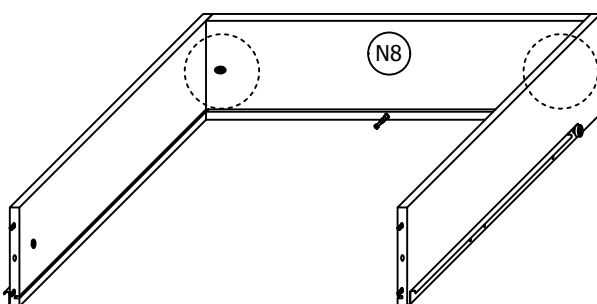
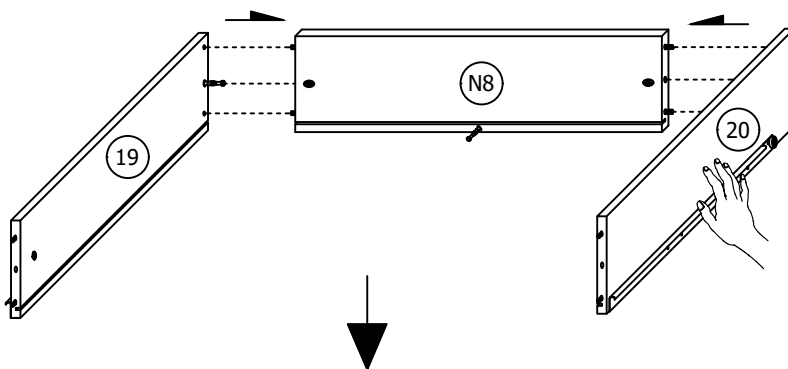
Assembled looks



## STEP 18

Combine the (19) and (20) to the (N8) . Then tighten the 2 pieces (A)-(pre-insert in step 16) as shown.

x 2

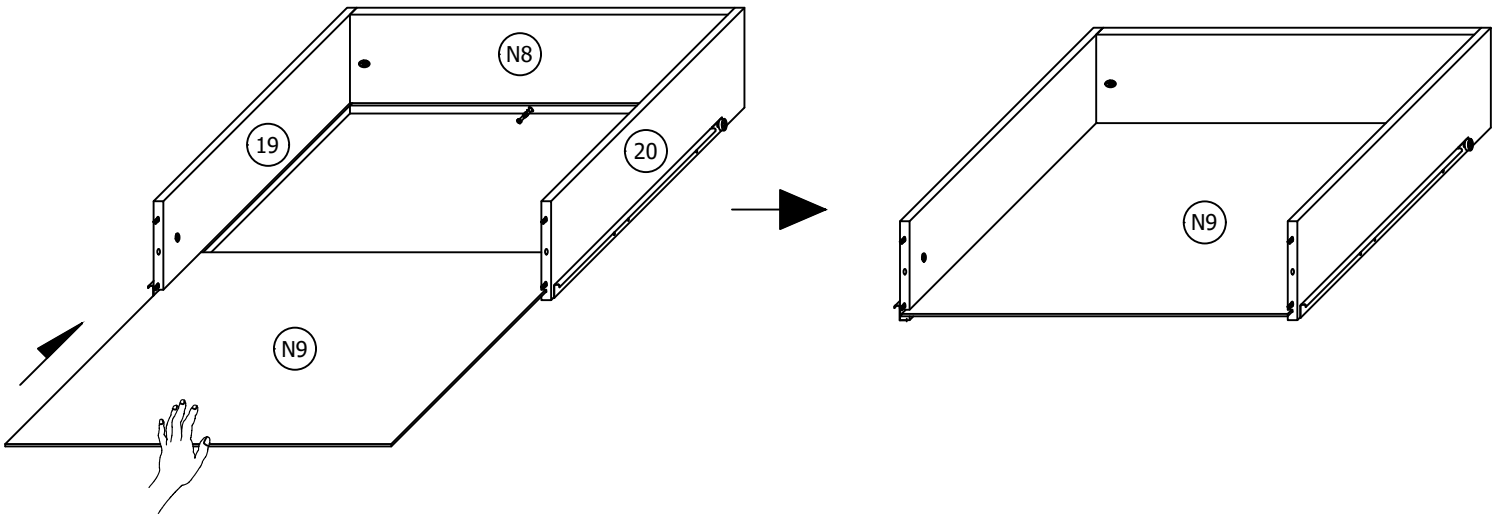


# ASSEMBLY INSTRUCTION

## STEP 19

Put the (N9) into the gap of (19),(20) and (N8) as shown.

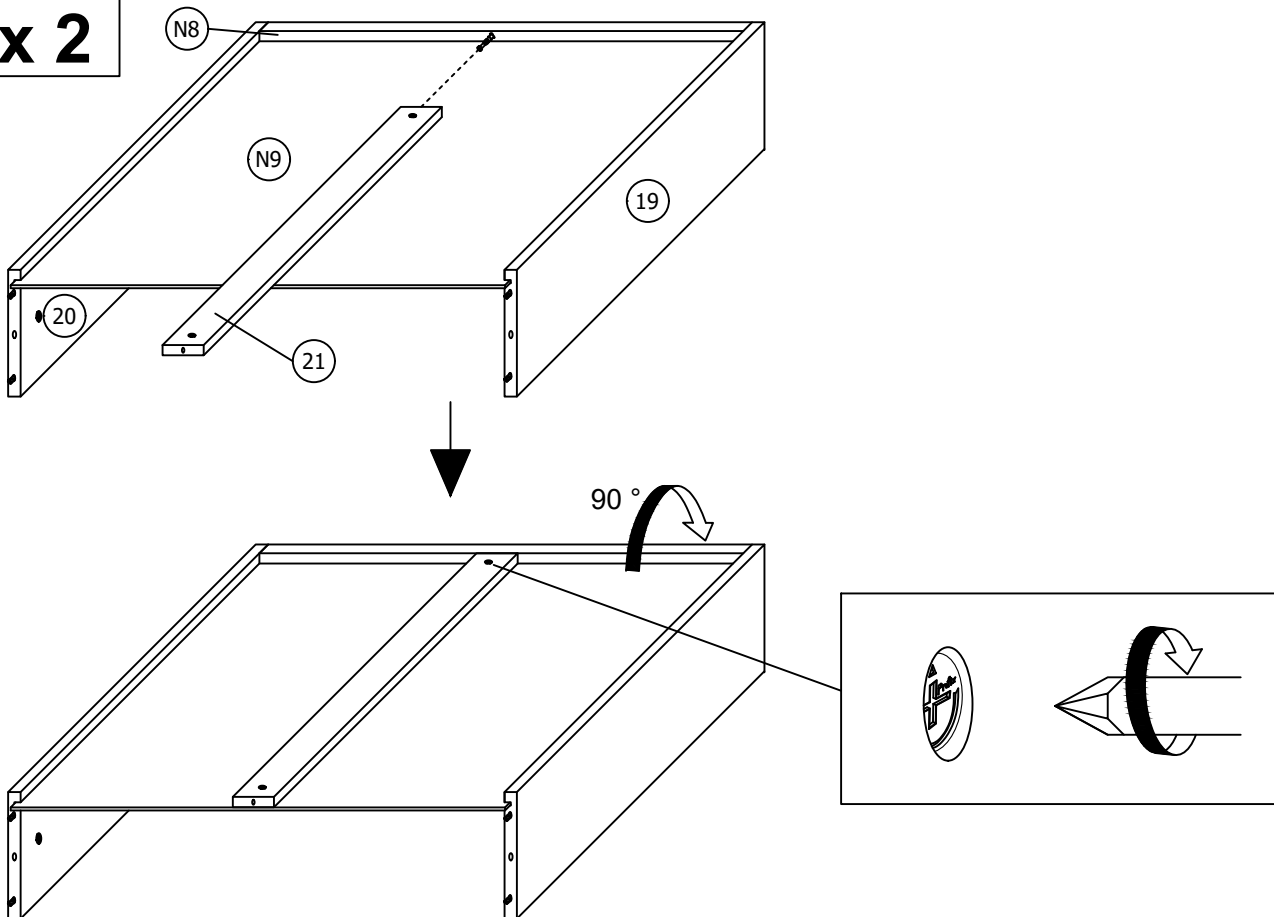
**x 2**



## STEP 20

Combine the (21) to the (N8) then tighten the 1 piece (A)-(pre-insert in step 17) as shown.

**x 2**

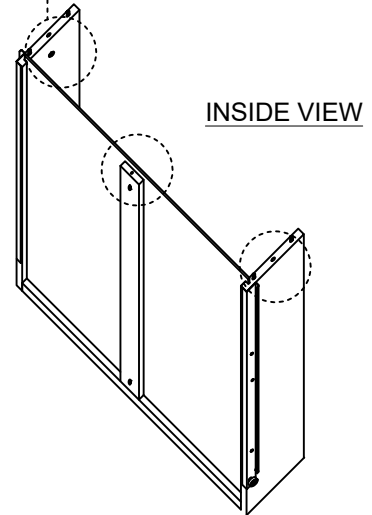
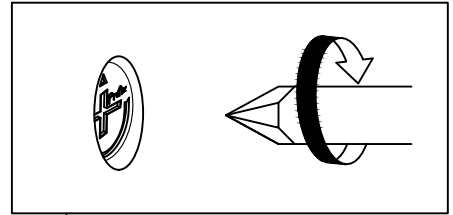
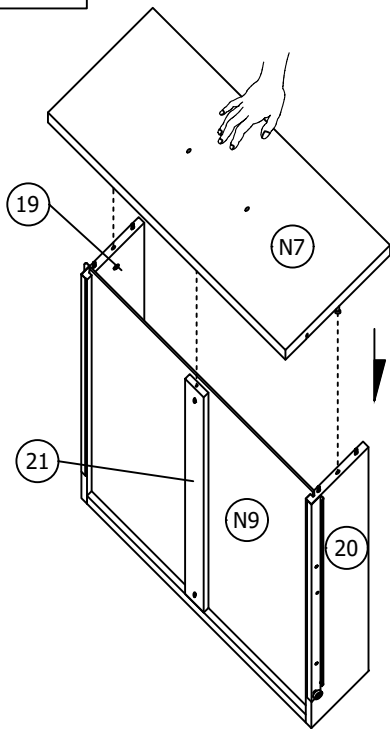


# ASSEMBLY INSTRUCTION

## STEP 21

Combine the (N7) to the drawer frame. Then tighten the 3 pieces (A)-(pre-insert in step 14,15 and 17) as shown. This step needs to be **done twice**.

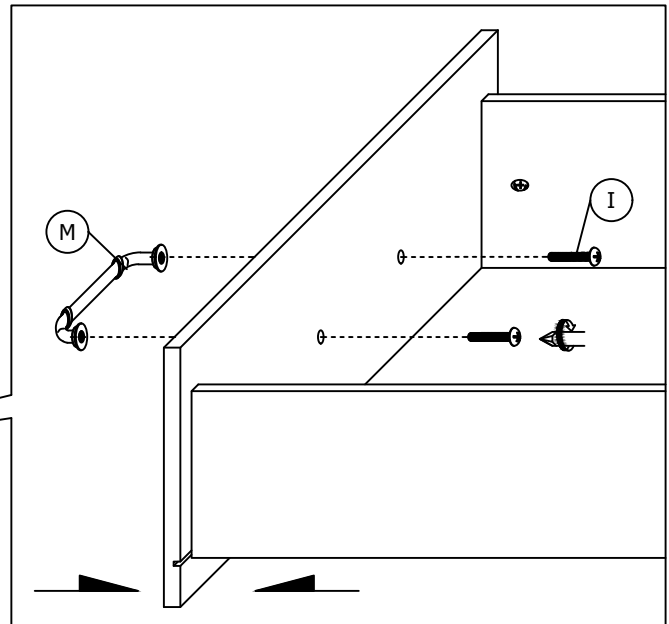
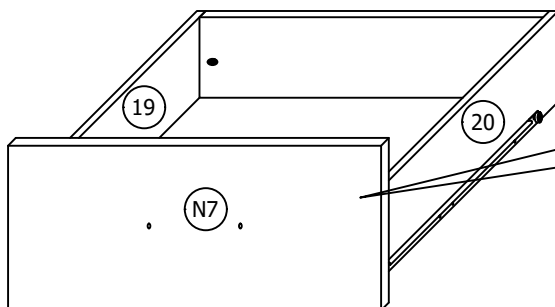
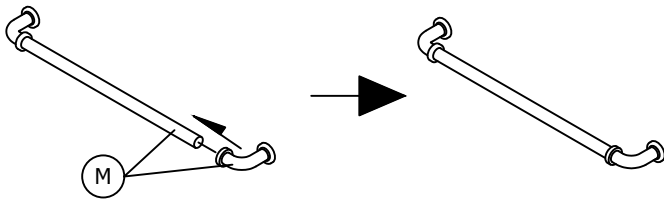
**x 2**



## STEP 22

Connect the adjustable handle (M) then insert 2 pieces (I) to fix with (M) as shown.

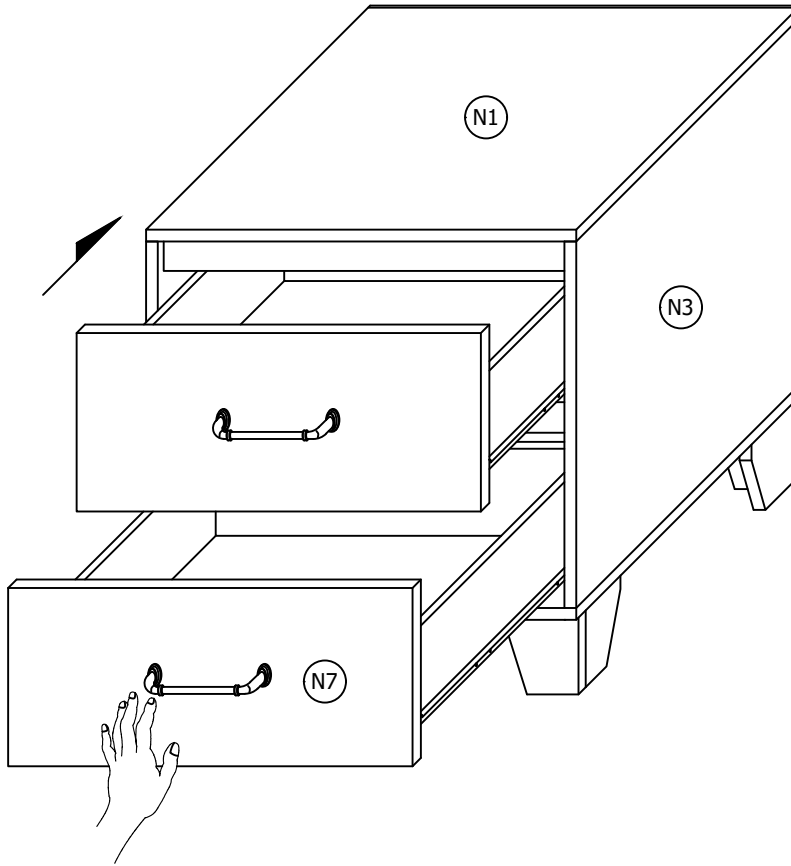
**x 2**



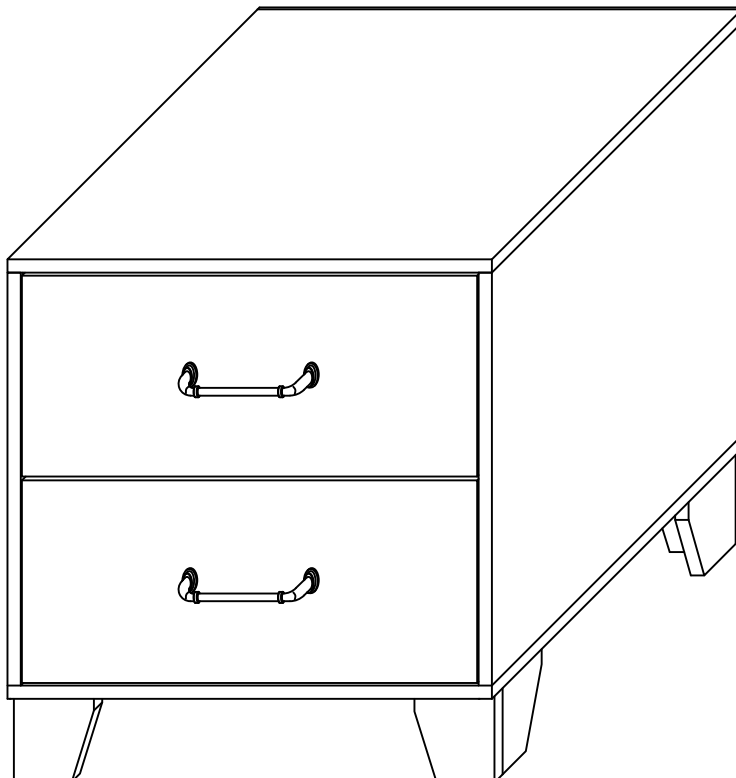
# ASSEMBLY INSTRUCTION

## STEP 23

Align the position then push the 2 pieces drawer to inside exactly as shown.



## STEP 24



**ASSEMBLY COMPLETED**