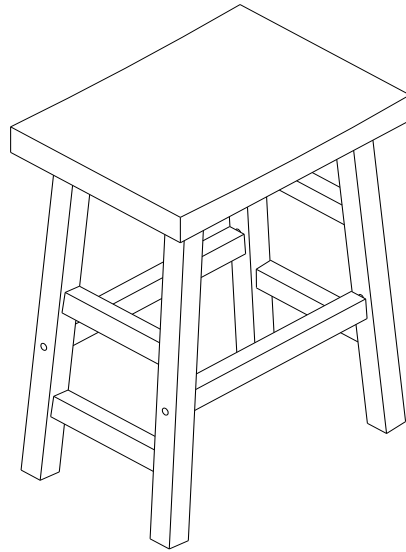


# Wood Stool

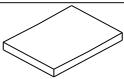
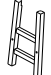
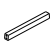


Thank you for purchasing our Stool. We have found it helpful to have a second person present during the assembly of this product.

---

## Assembly Instructions

Lay out all parts on a "non-abrasive" surface to avoid scratching furniture.

NO.	DRAWING	DESCRIPTION	QTY.
A		TOP	1
B		SIDE ASSEMBLY	2
C		CROSS RAIL	2

NO.	DRAWING	DESCRIPTION	QTY.
D		M6*45mm BOLT	8
E		LOCK WASHER	8
F		WASHER	8
G		M6*70mm BOLT	4
H		CROSS DOWELS	4
I		WOOD DOWELS	4
J		WRENCH	1
K		GLUE	1

### Step 1

Read through these instructions thoroughly before beginning assembly. We have found this to be of great value when first assembling this product.

---

### Step 2

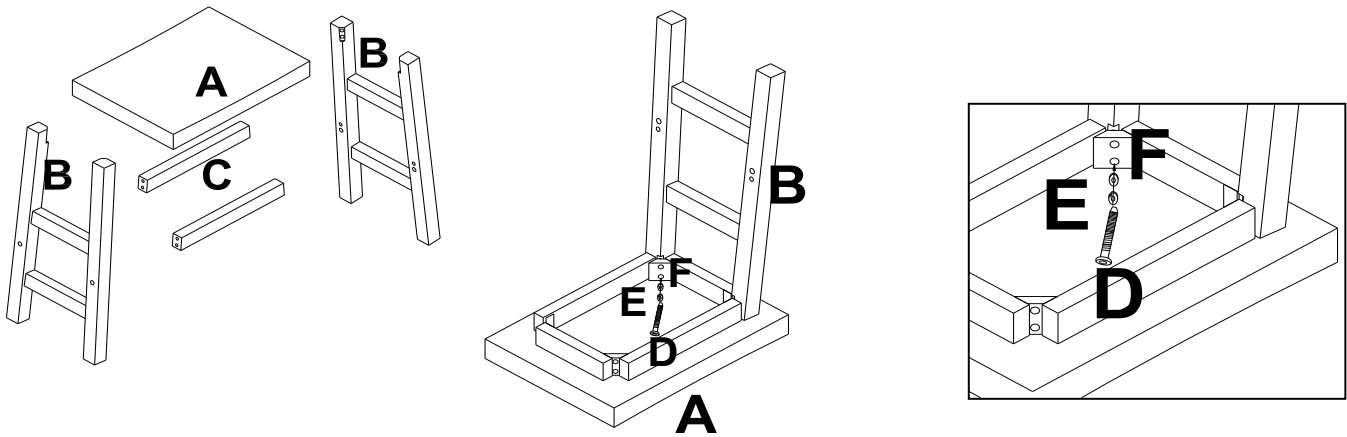
Remove all parts and hardware from packing material. Wooden pieces should be placed on a non abrasive surface (like the carton or carpet) to prevent damage to the finish.

---

### Step 3

Lay Top Seat (A) upside down and attach Side Assembly (B) to underside of Seat using 4 - M6 x 45mm Bolts (D), 4 washers (F) and 4 Lock Washers (E).

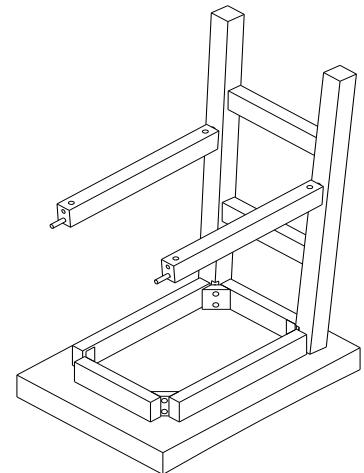
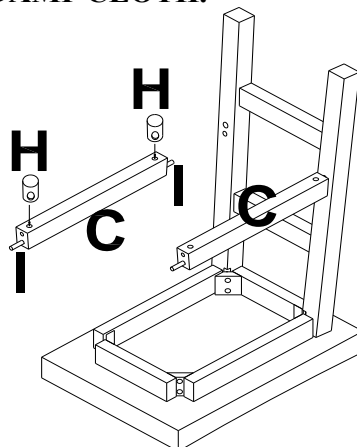
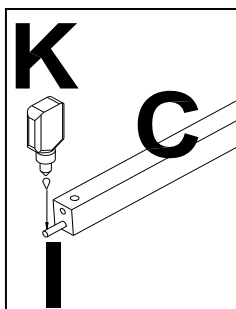
**DO NOT TIGHTEN FIRMLY AT THIS TIME.**



### Step 4

Insert Cross Dowels (H) in to edge of Cross Rail (C). Glue and insert Wooden Dowel (I) into edge of Cross Rail (C).

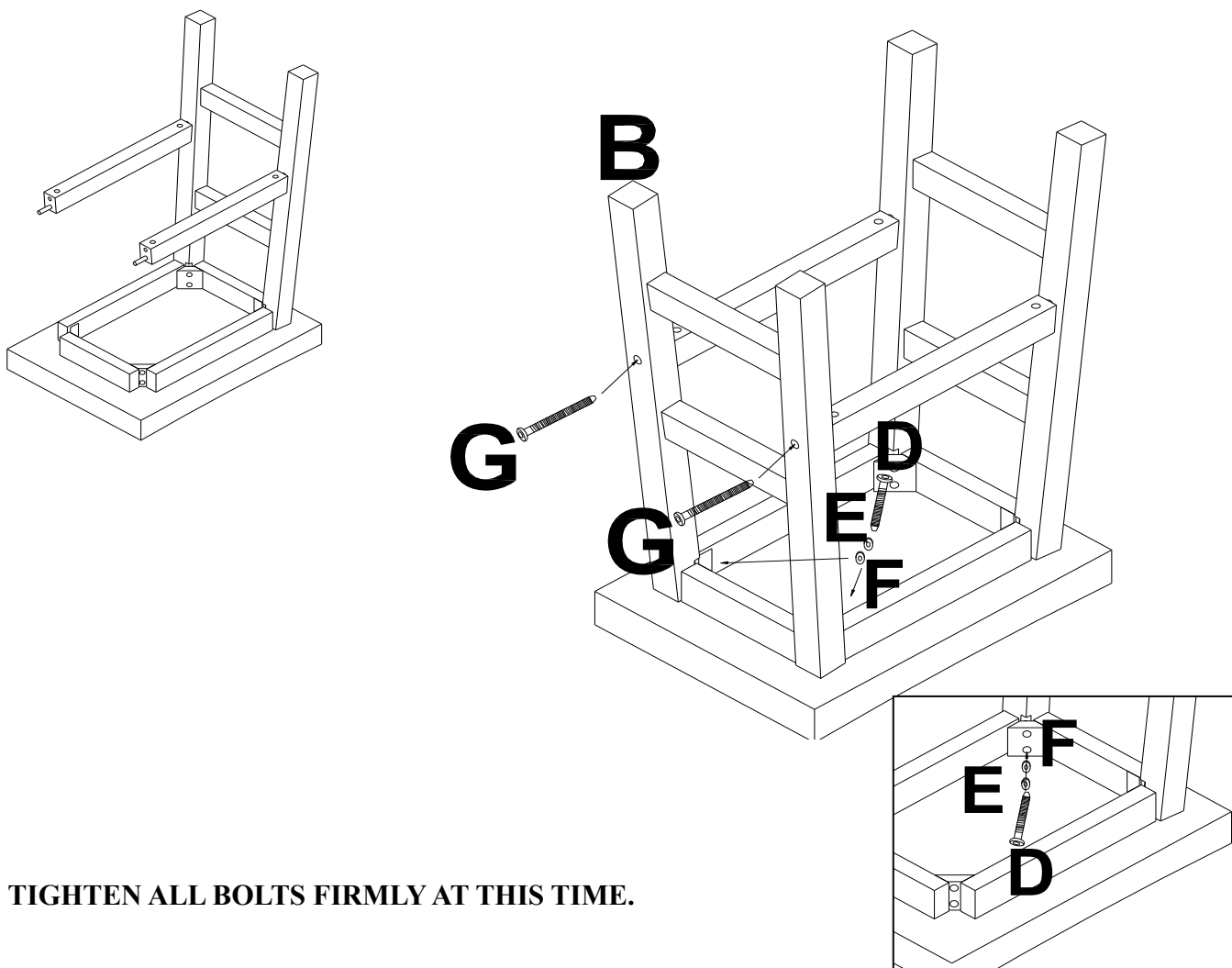
Put Glue (K) into the dowel Hole in Side Assembly (B). Align Dowels in Cross Rail to Dowel Holes in Side Assembly. Attach 2 Cross Rails (C) using 4 - M6 x 70MM Bolts (G). Align the Bolts thru the hole in Side Assembly (B) into the Cross Dowel in the Cross Rail (C). **TIGHTEN THESE BOLTS FIRMLY! IT IS GOOD TO SEE GLUE SQUEEZE OUT - CLEAN UP EXCESS GLUE WITH DAMP CLOTH.**



### Step 5

Put Glue (K) into the dowel Hole in Side Assembly (B). Align Dowels in Cross Rail to Dowel Holes in Side Assembly. Attach 2 Cross Rails (C) using 4 - M6 x 70MM Bolts (G). Align the Bolts thru the hole in Side Assembly (B) into the Cross Dowel in the Cross Rail (C). **TIGHTEN THESE BOLTS FIRMLY! IT IS GOOD TO SEE GLUE SQUEEZE OUT - CLEAN UP EXCESS GLUE WITH DAMP CLOTH.**

Attach Side Assembly (B) to underside of Seat using 4 - M6 x 45mm Bolts (D), 4 washers (F) and 4 Lock Washers (E).



**TIGHTEN ALL BOLTS FIRMLY AT THIS TIME.**

---

### CARE

Clean with mild soap and wipe dry.

---