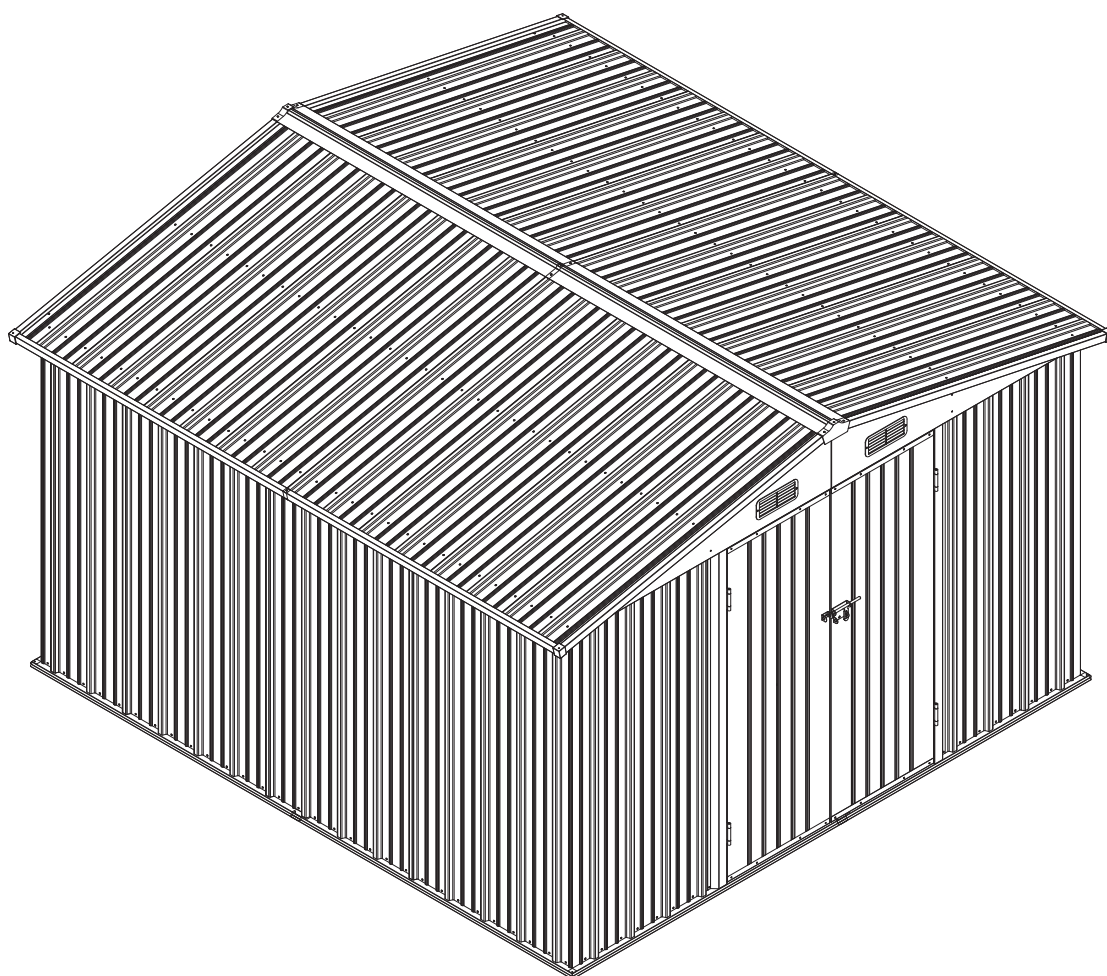


ASSEMBLY INSTRUCTIONS

METAL GARDEN SHED

SKU: T-PS23-0406D



E-mail:
hofficeservice@gmail.com



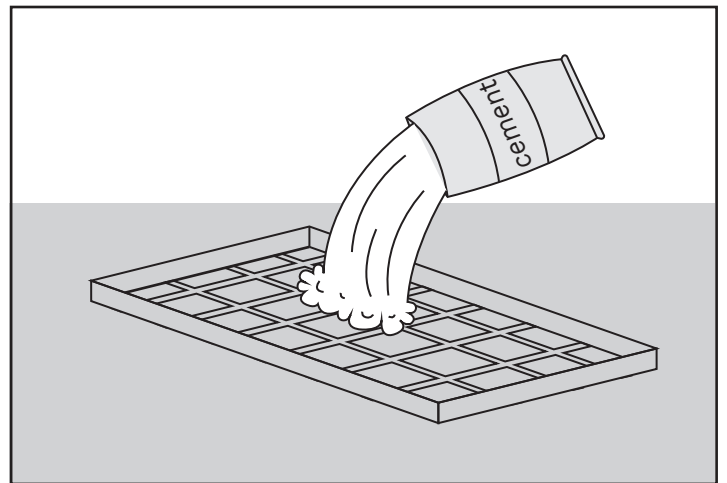
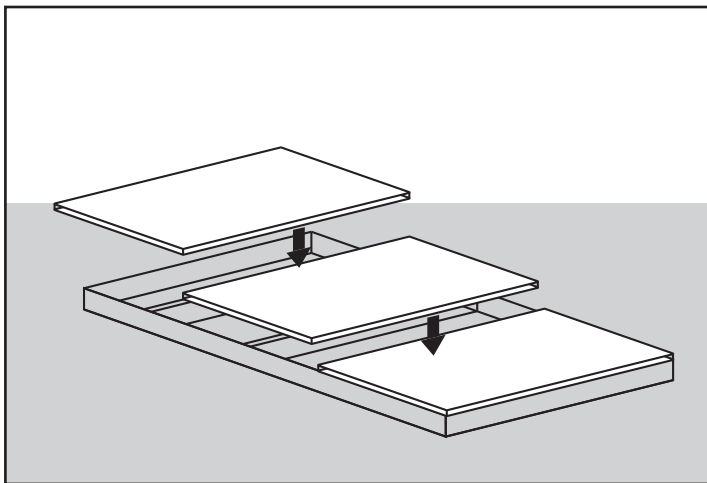
Please read the instructions strictly,
please assemble this table according
to the instruction assembly order.

SITE PREPARATION

Level the ground surface.



Recommendation: Construct a wooden or concrete base as a foundation.



BEFORE STARTING ASSEMBLY

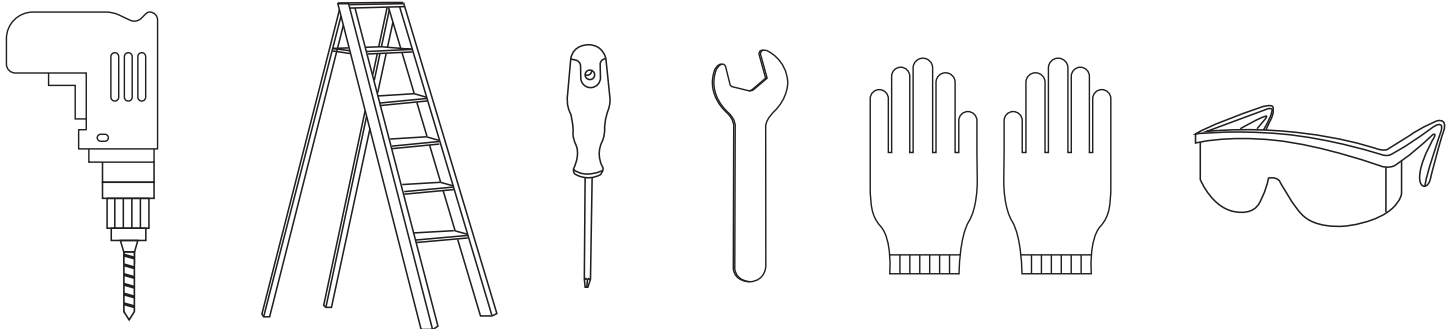
Remove all of the pieces from the 2 packages and spread them out on the ground. Before installation, please check the type and quantity of parts first.

It is recommended to use a clean work surface to spread the parts out and for pre-assembly steps. Review all instructions before you begin, continue to refer to instructions during assembly.

Be sure to follow all steps thoroughly.

Please prepare these components in advance at the beginning of each stage.

REQUIRED TOOLS



CAUTION

Some parts have steel edges. Please be careful when handling components. Always wear work gloves, eye protection and long sleeves when assembling or performing any maintenance on your shed. Do not attempt assembly on days with strong winds or low temperatures.




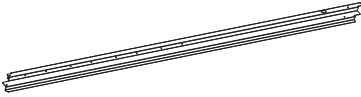


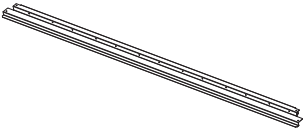
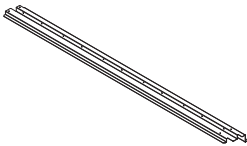
Requires two people and takes 2-3 hours for Installation. Recommended to wear gloves to avoid scratches. Please read the manual carefully before installation.

**DO NOT RETURN YOUR UNIT
TO THE STORE**

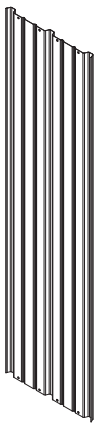



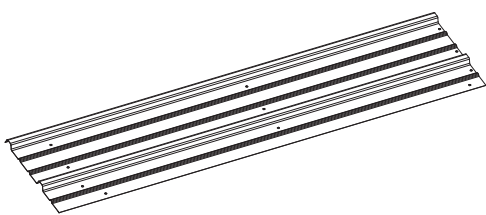
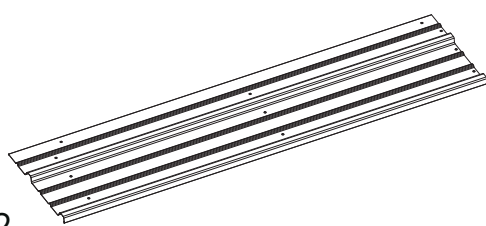
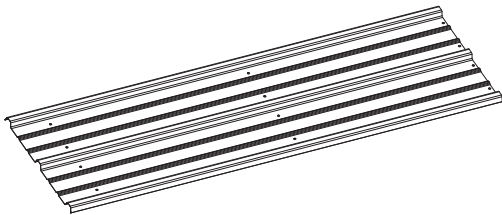
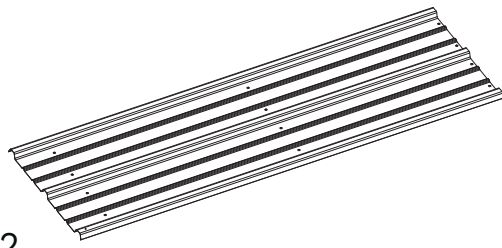
Contact us first

hofficeservice@gmail.com

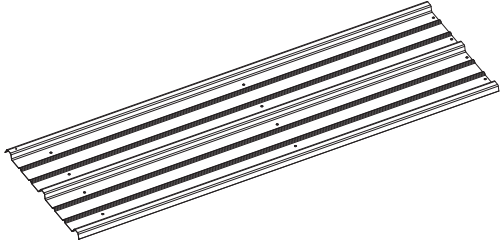
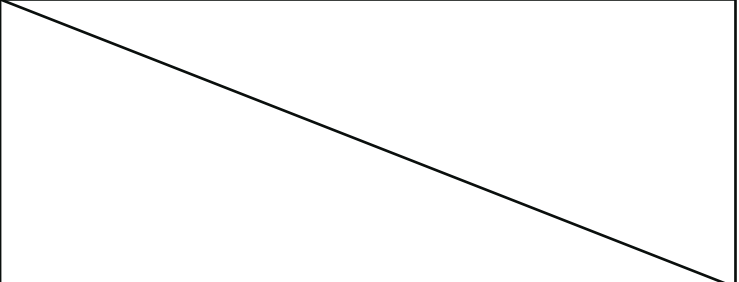
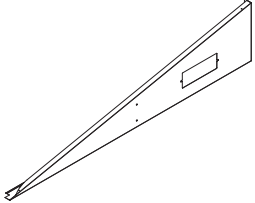
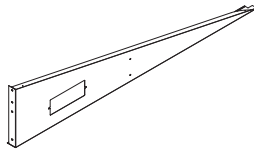
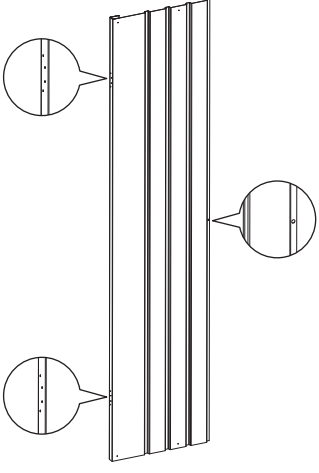
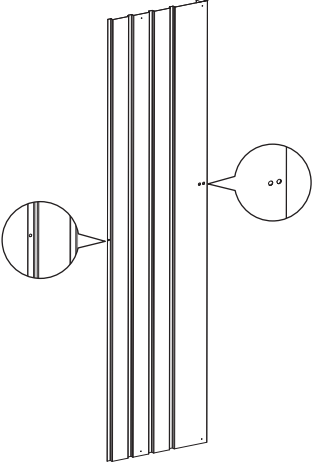
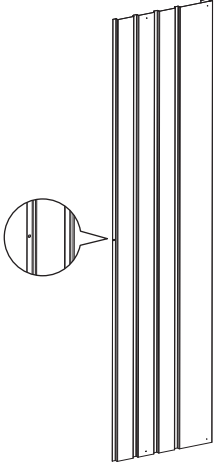
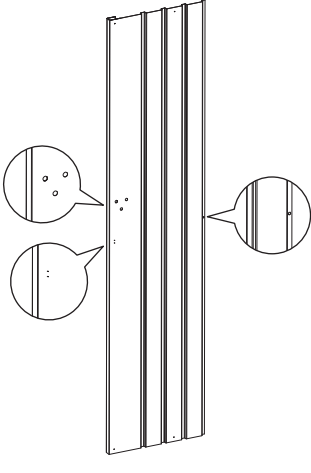
FOUNDATION

BK1 X1 	BK1L X1 
BK2 X1 	BK2R X1 
BE4 X2 	BE4L X2 



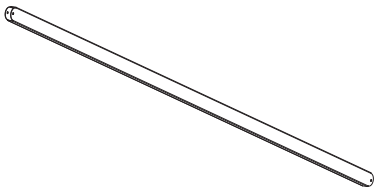
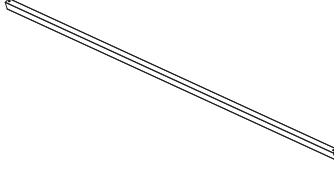
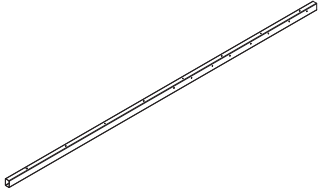
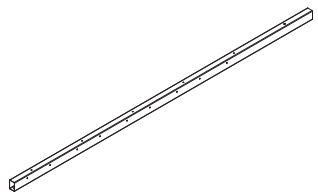
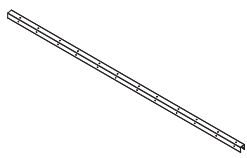
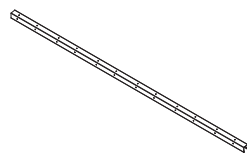
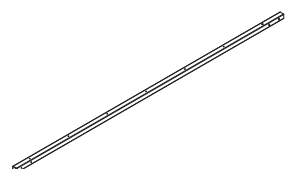
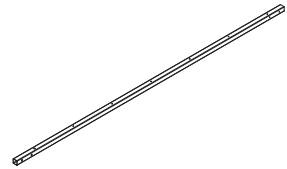
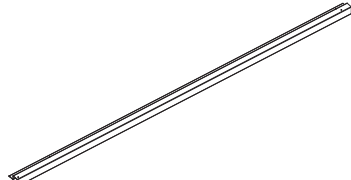


PLATES

W1A X19 	WS2A X4 	W3A X2 	WS3A X3 
PK1 X2 	PK2 X2 		
PK4 X8 	PK7 X2 		

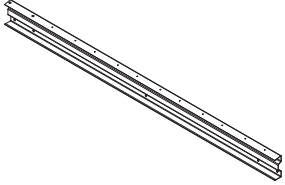
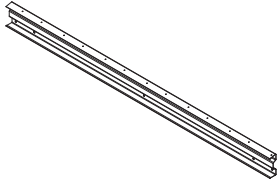
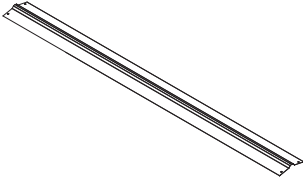
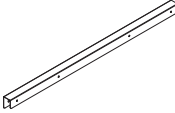
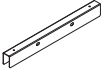



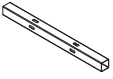
PLATES

 <p>PK8 X2</p>			
 <p>A5 X2</p>	 <p>A6 X2</p>		
 <p>DLA X1</p>	 <p>DLB X1</p>	 <p>DRA X1</p>	 <p>DRB X1</p>

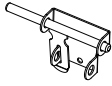

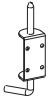

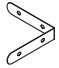
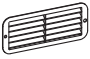


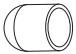
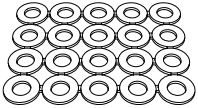
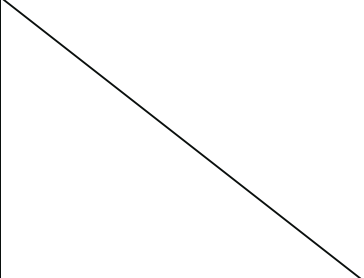
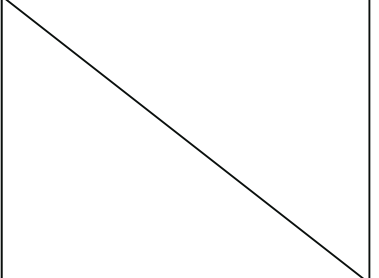
STRIPS

 <p>ULA X1</p>	 <p>UR1 X1</p>	 <p>DX2 X4</p>
		 <p>L15 X4</p>
 <p>UK1 X1</p>	 <p>UKIL X1</p>	
 <p>UE6 X2</p>	 <p>UE6L X2</p>	
 <p>UK2 X1</p>	 <p>UK2R X1</p>	
 <p>M21 X2</p>	 <p>M22 X2</p>	
 <p>GR X1</p>		

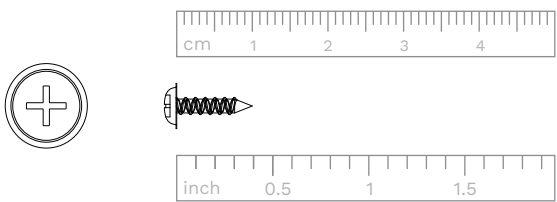
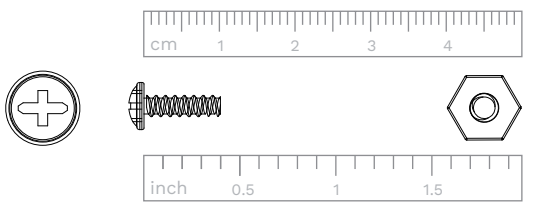
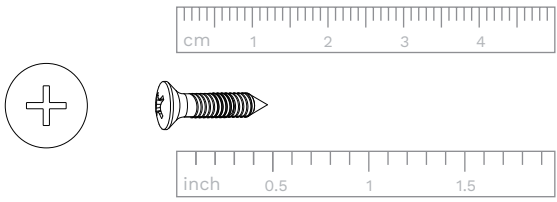
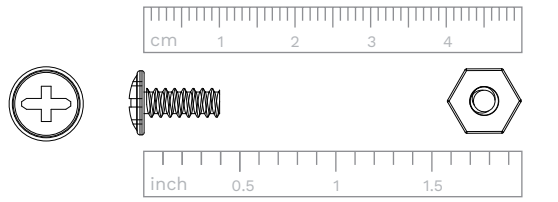
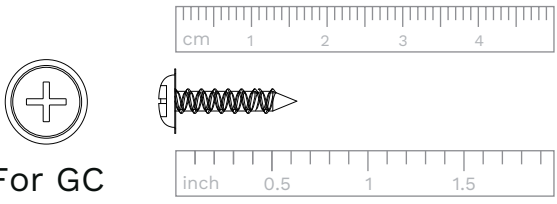
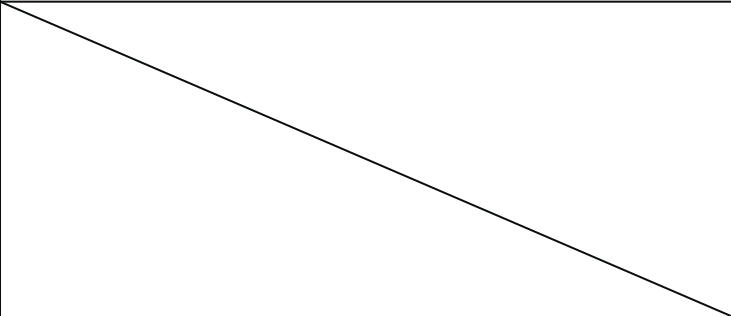
STRIPS

 <p>M14 X4</p>	 <p>M15 X4</p>		
 <p>15 X2</p>	 <p>20 X4</p>	 <p>GS1 X1</p>	
 <p>C4L X2</p>	 <p>C5 X4</p>	 <p>C4R X2</p>	 <p>GR1 X2</p>

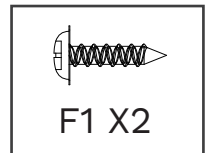
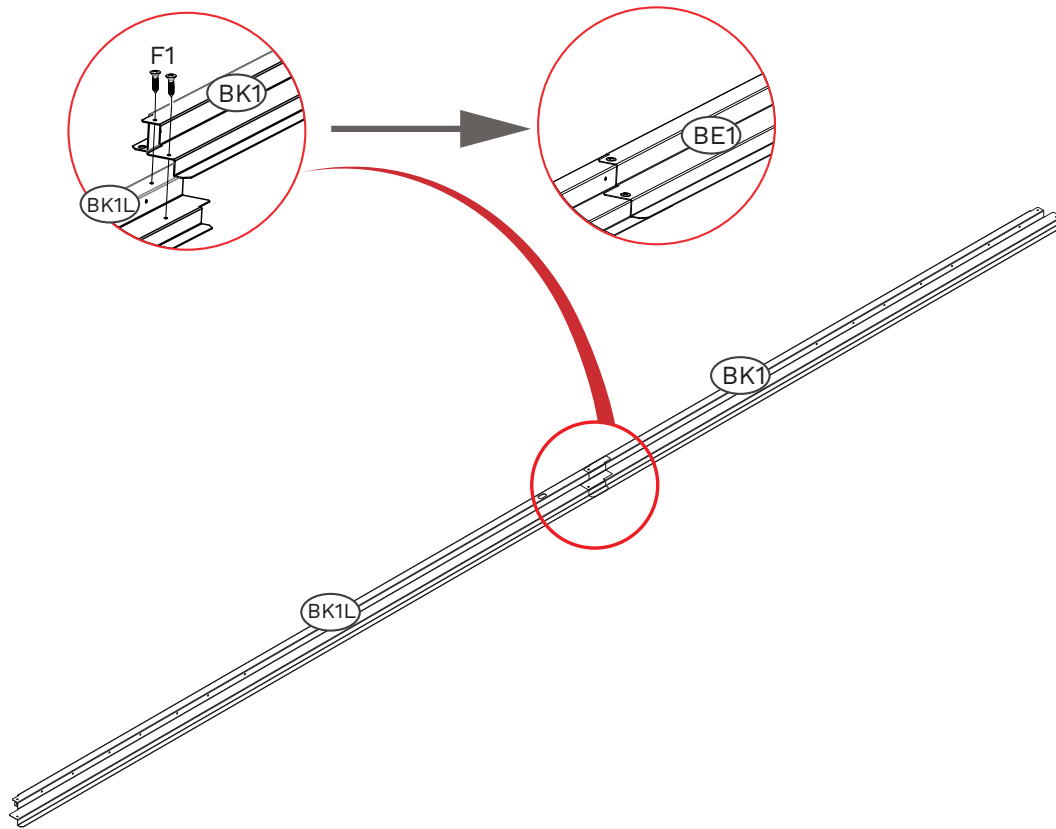
STANDARD

 <p>DG X1</p>	 <p>DF X1</p>	 <p>DC X2</p>	 <p>DH X4</p>
 <p>C2 X4</p>	 <p>GF X4</p>	 <p>GC X4</p>	 <p>GE X2</p>
 <p>V1 X128</p>	 <p>V2 X417</p>		

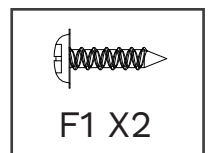
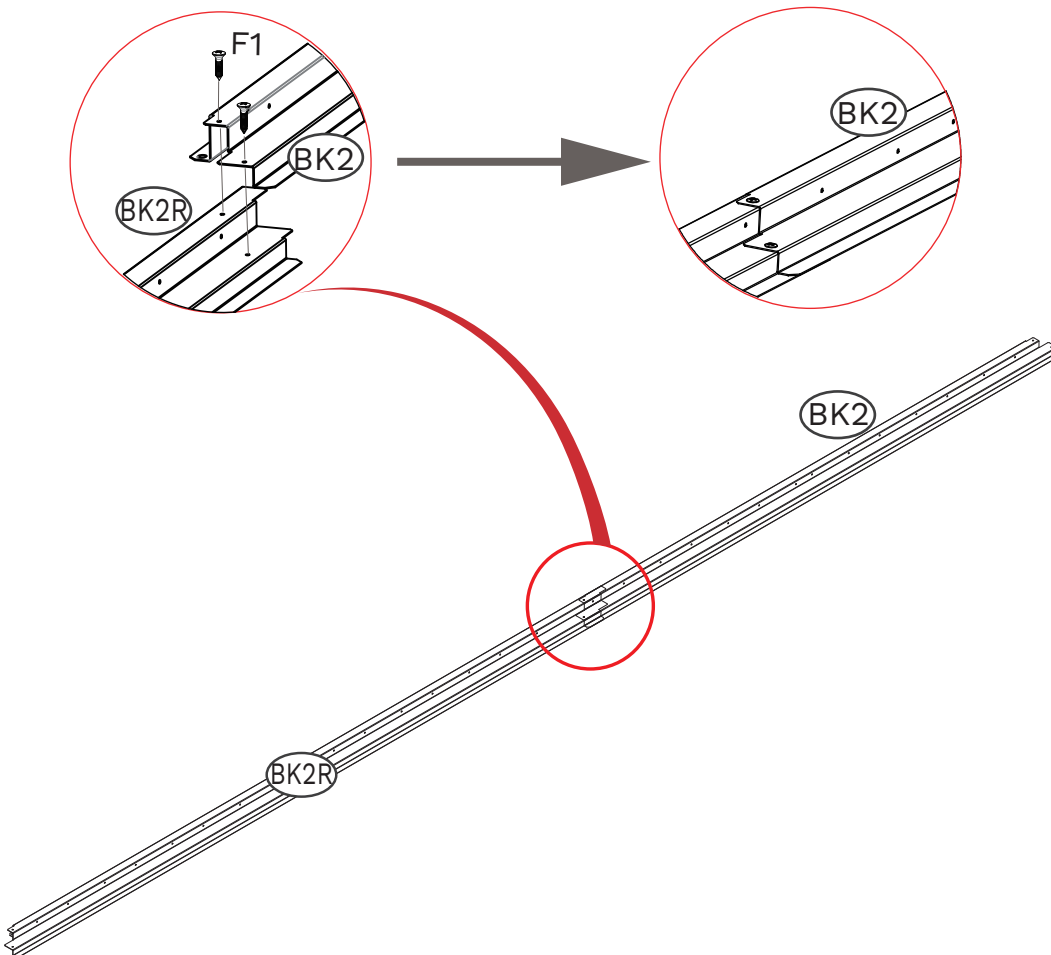
SCREW

 <p>F1(X518) M4*10</p>	 <p>F2(X56) M4*10</p>
 <p>F3(X32) M5*12</p>	 <p>F4(X5) M6*10</p>
 <p>For GC F5(X4) M4*16</p>	

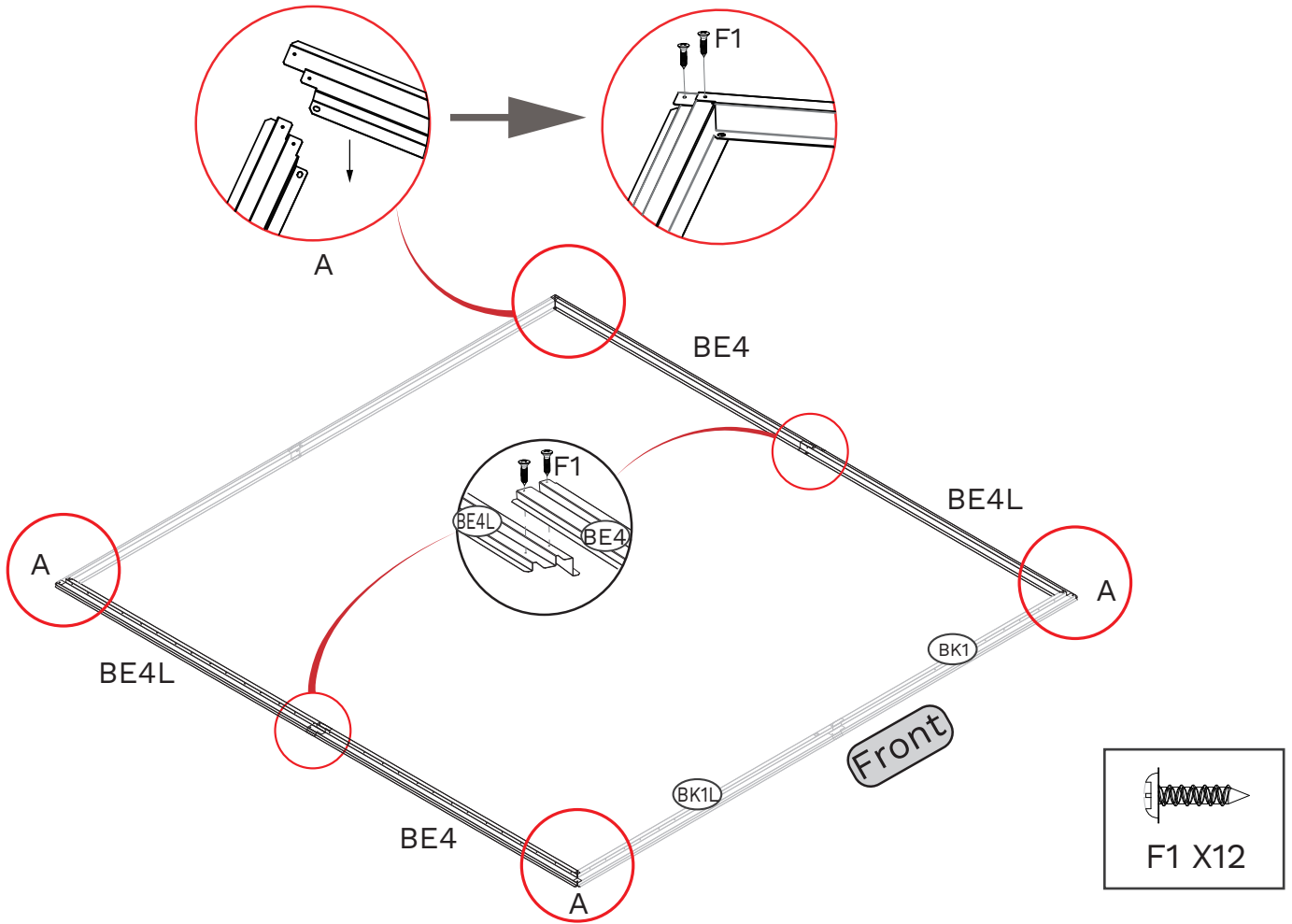
STEP 1



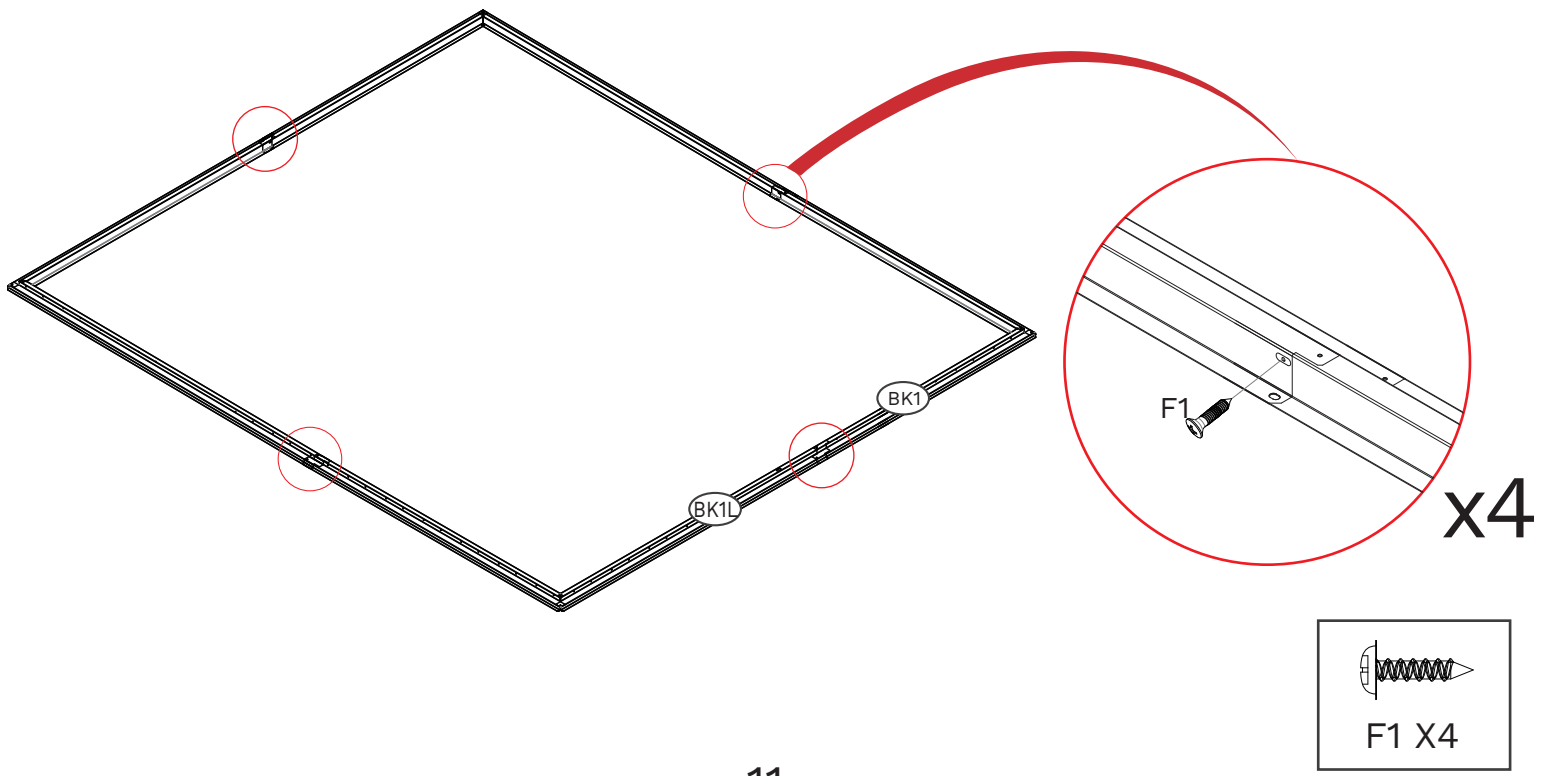
STEP 2



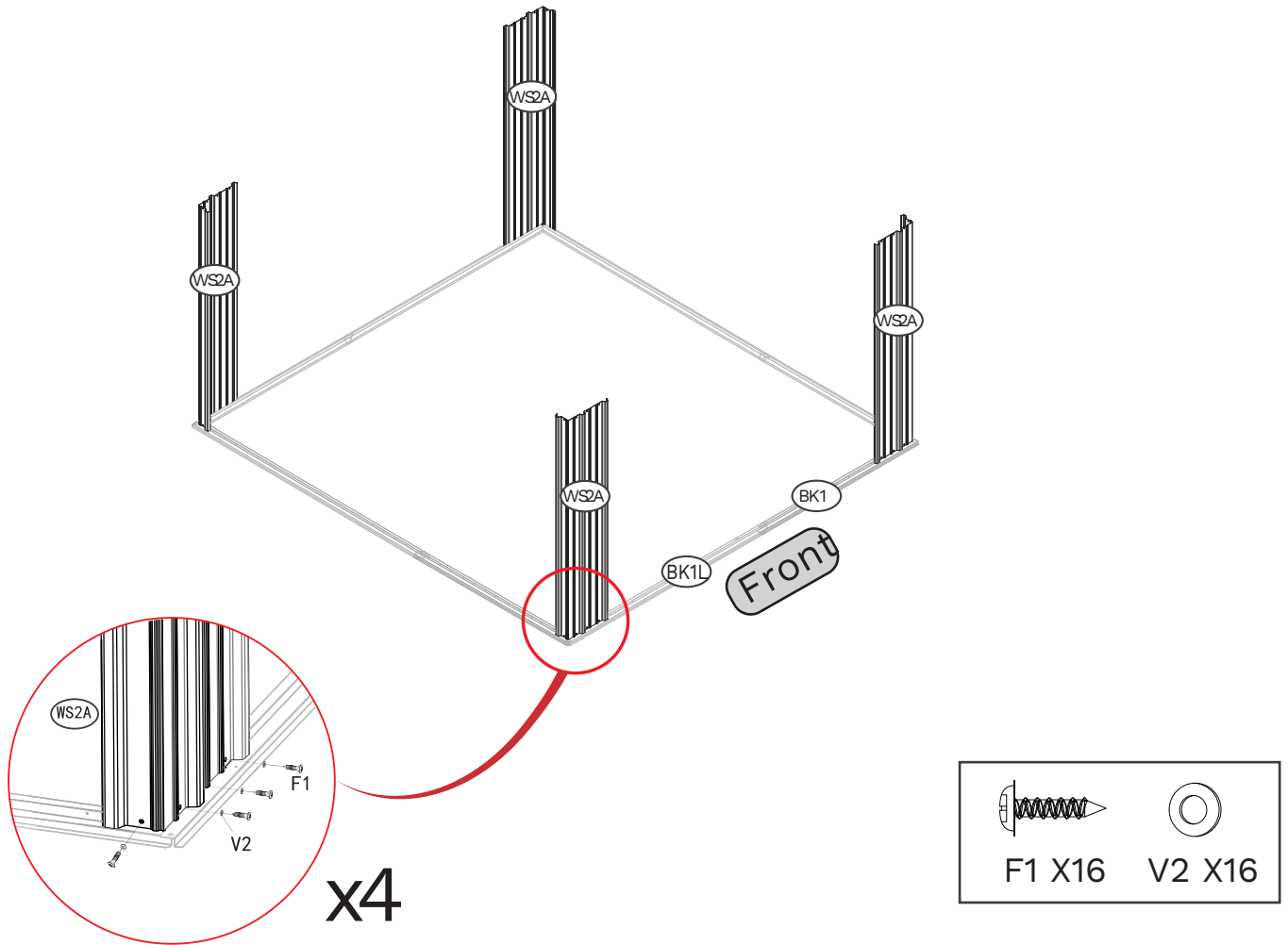
STEP 3



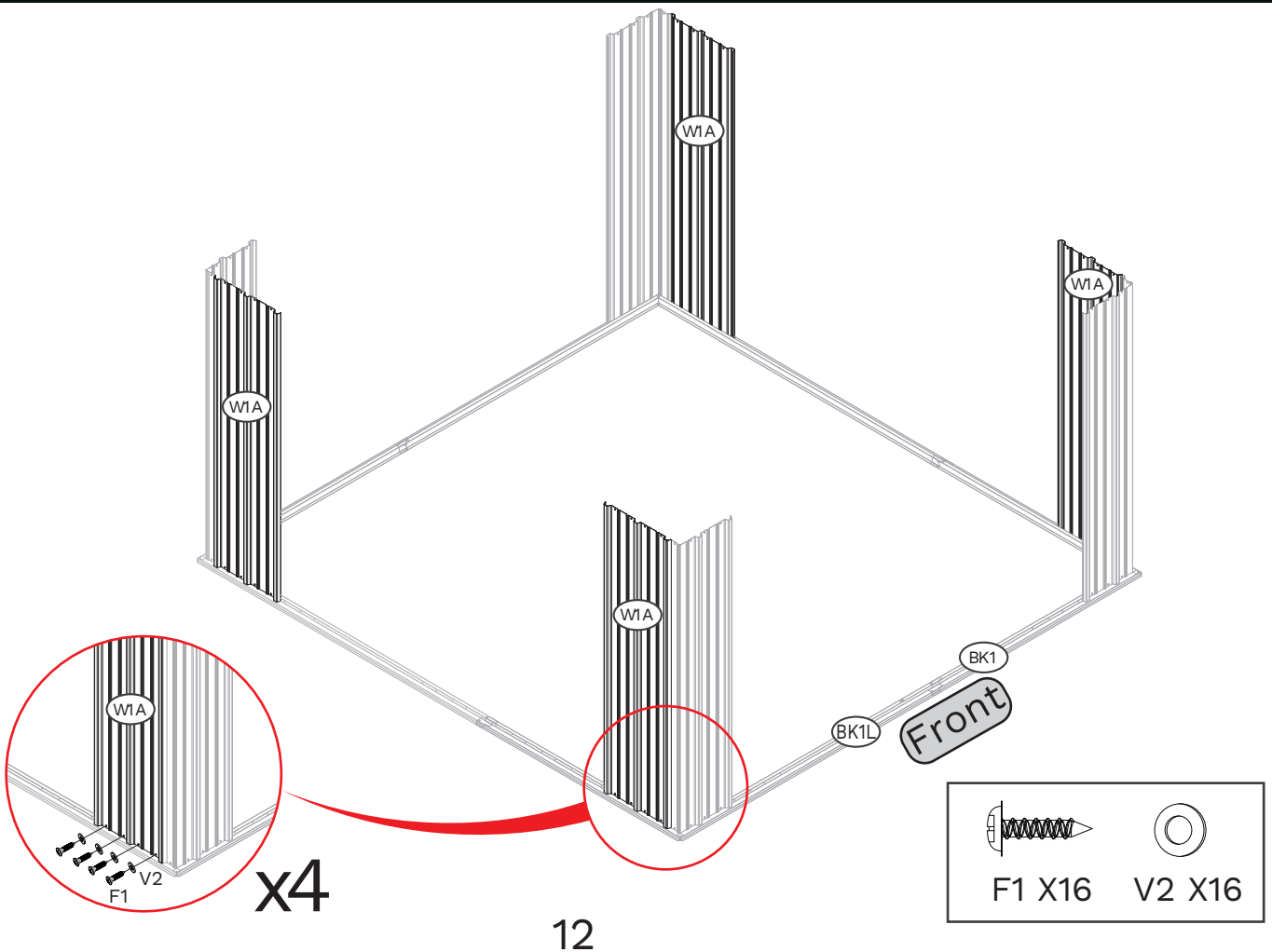
STEP 4



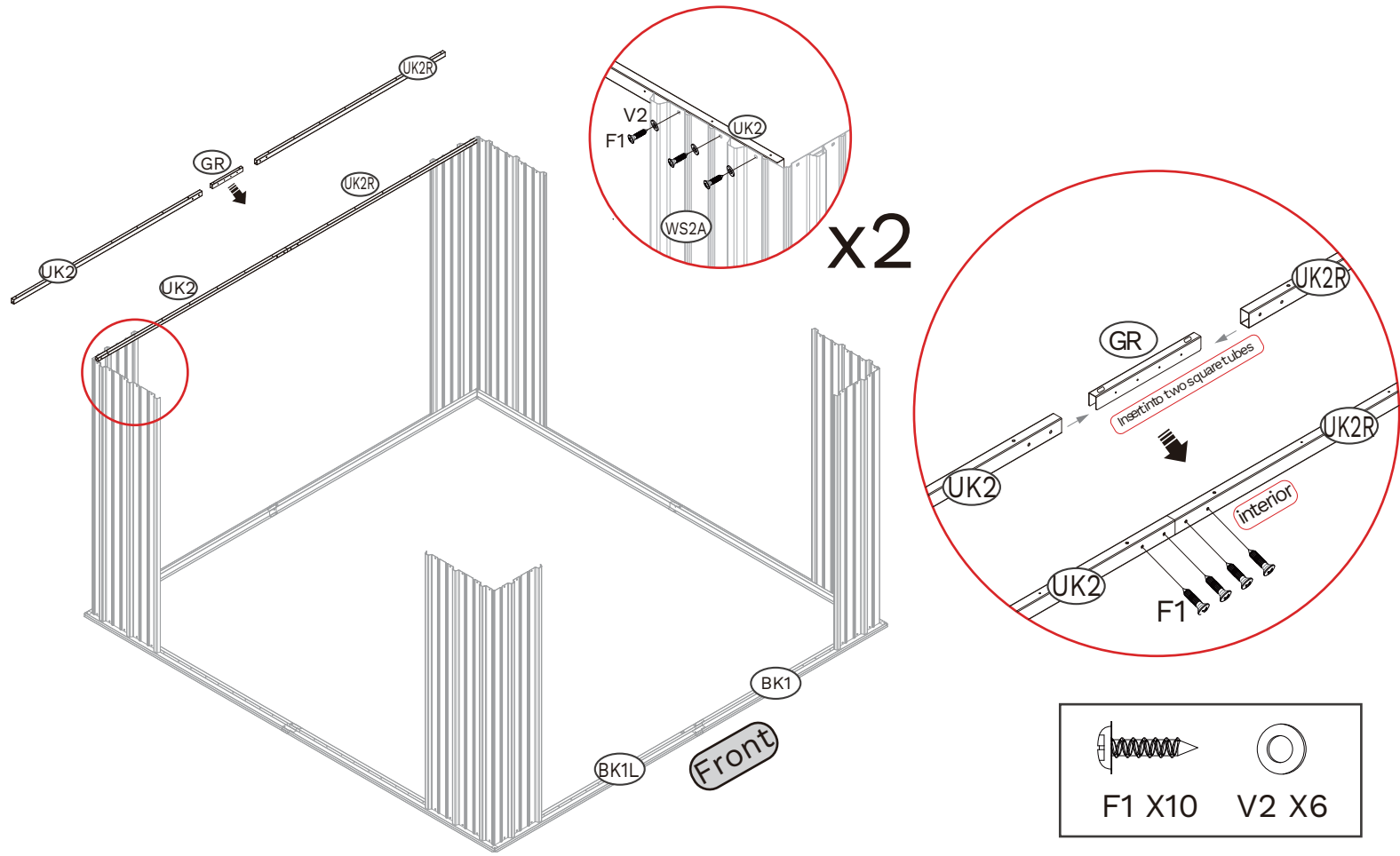
STEP 5



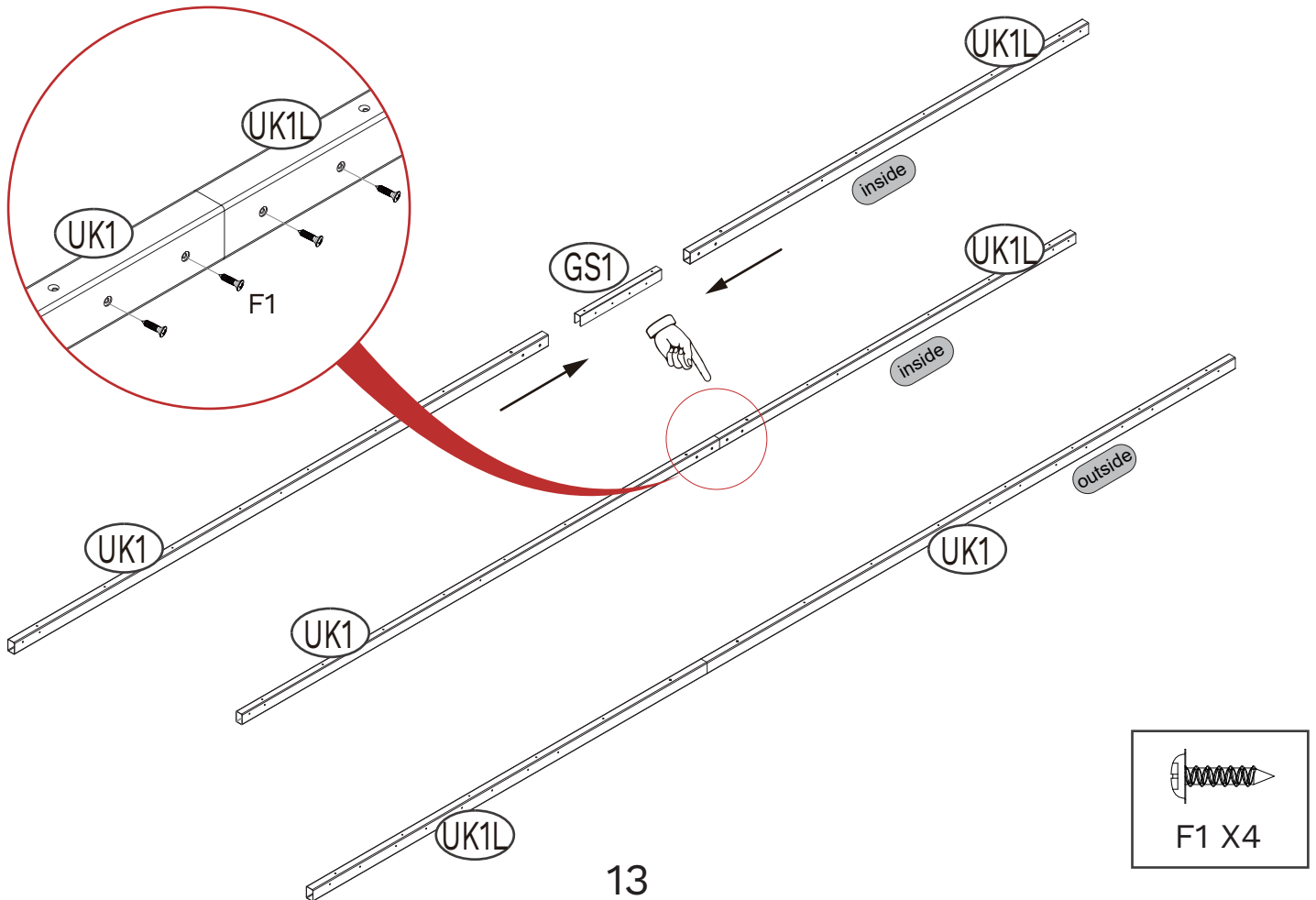
STEP 6



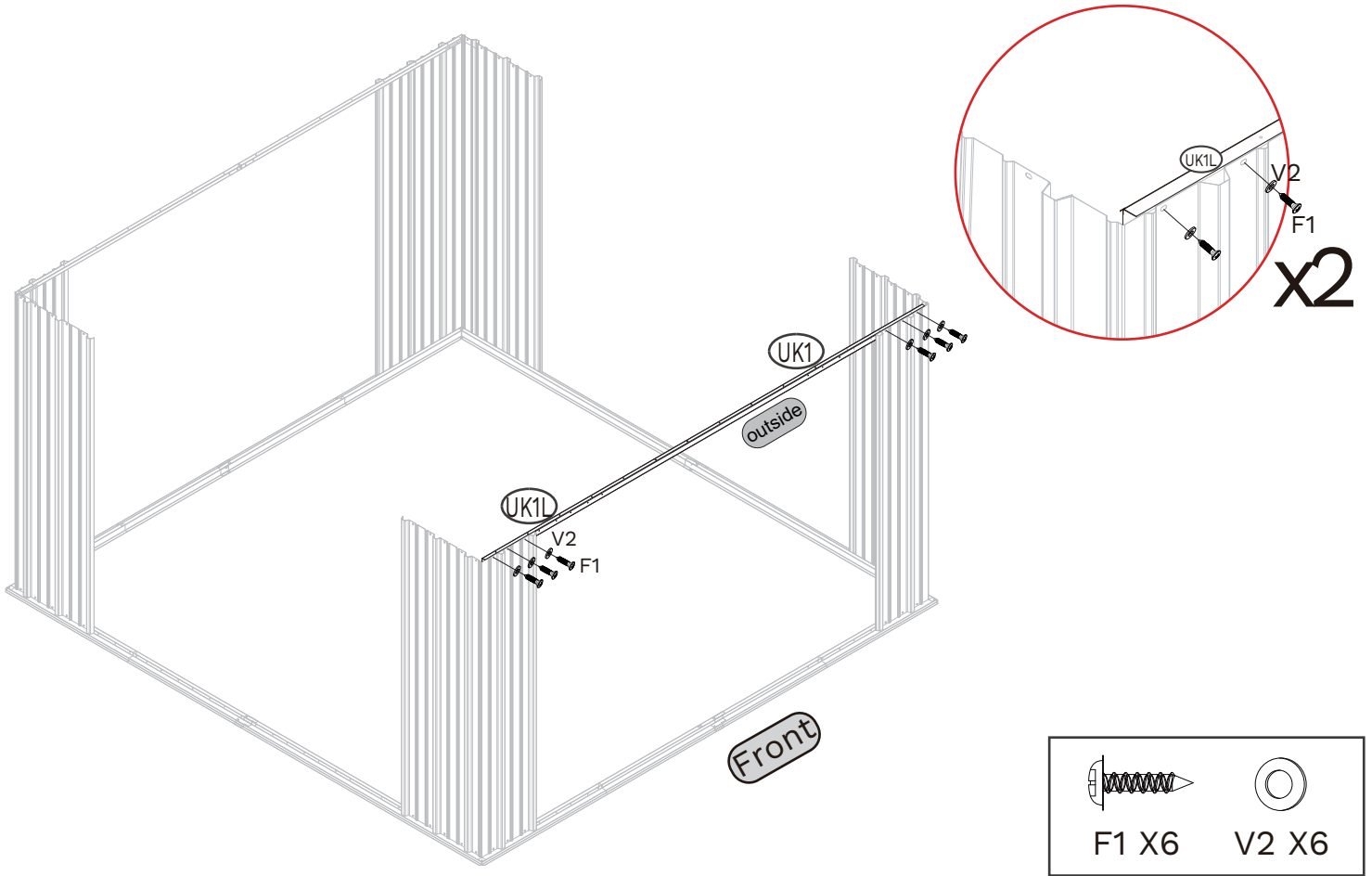
STEP 7



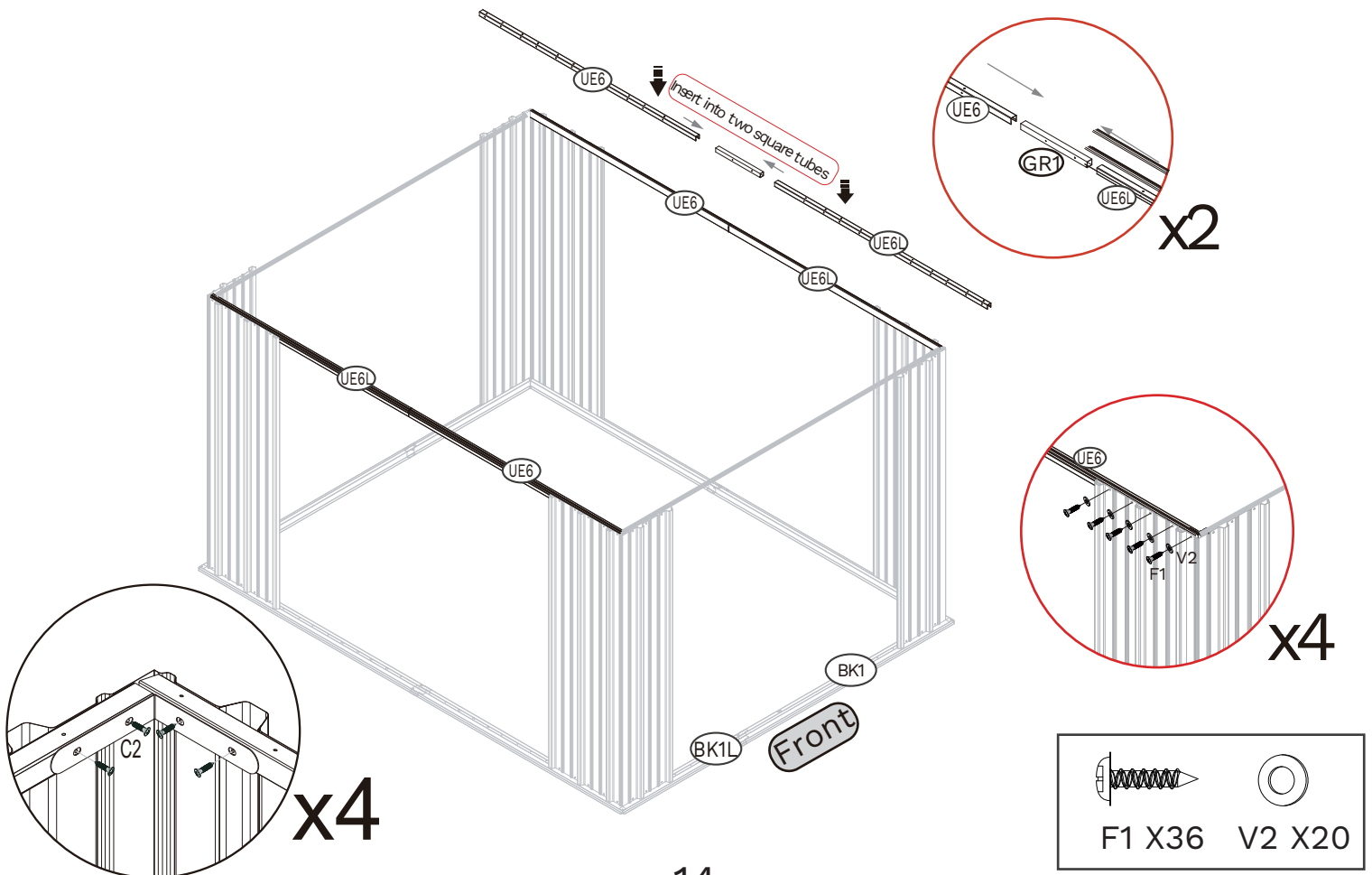
STEP 8



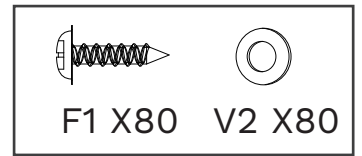
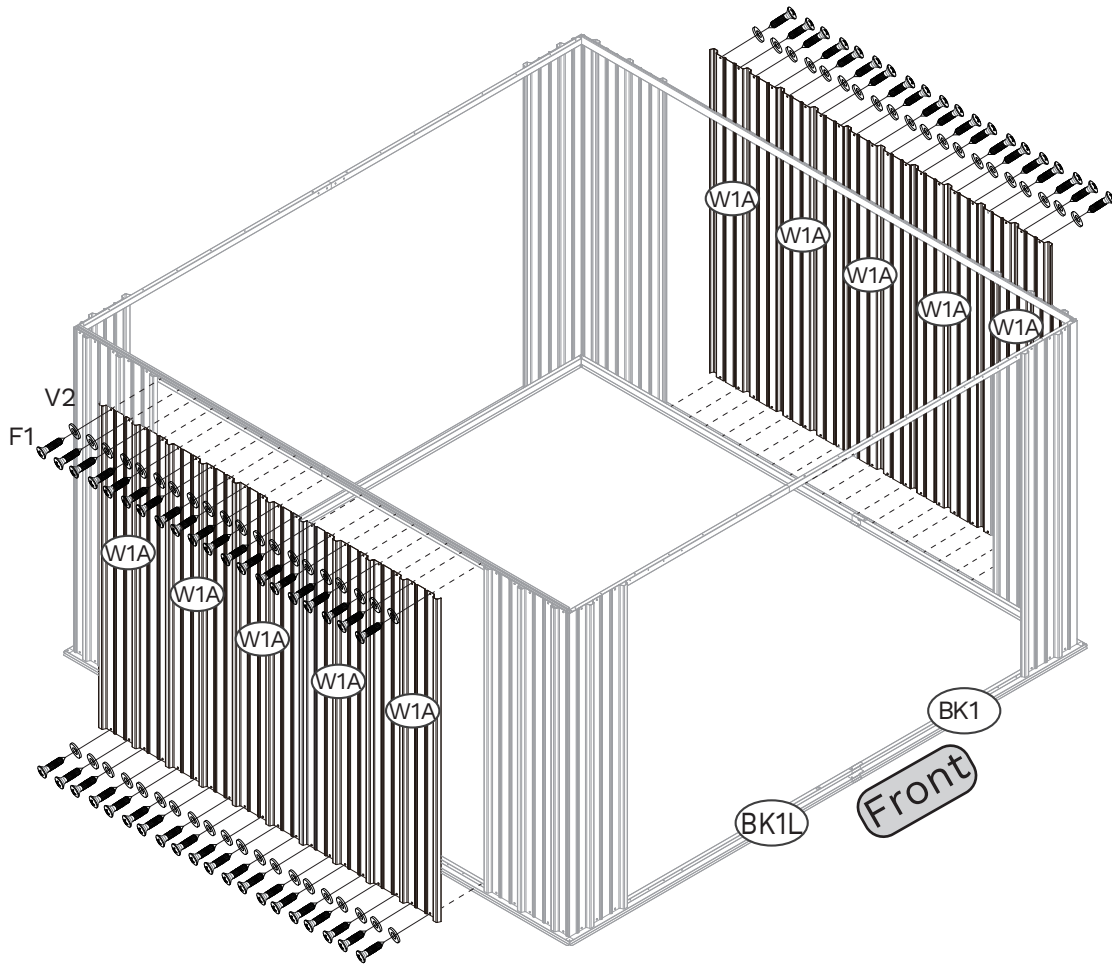
STEP 9



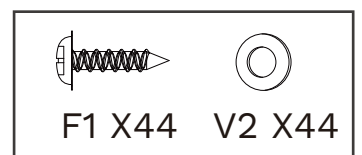
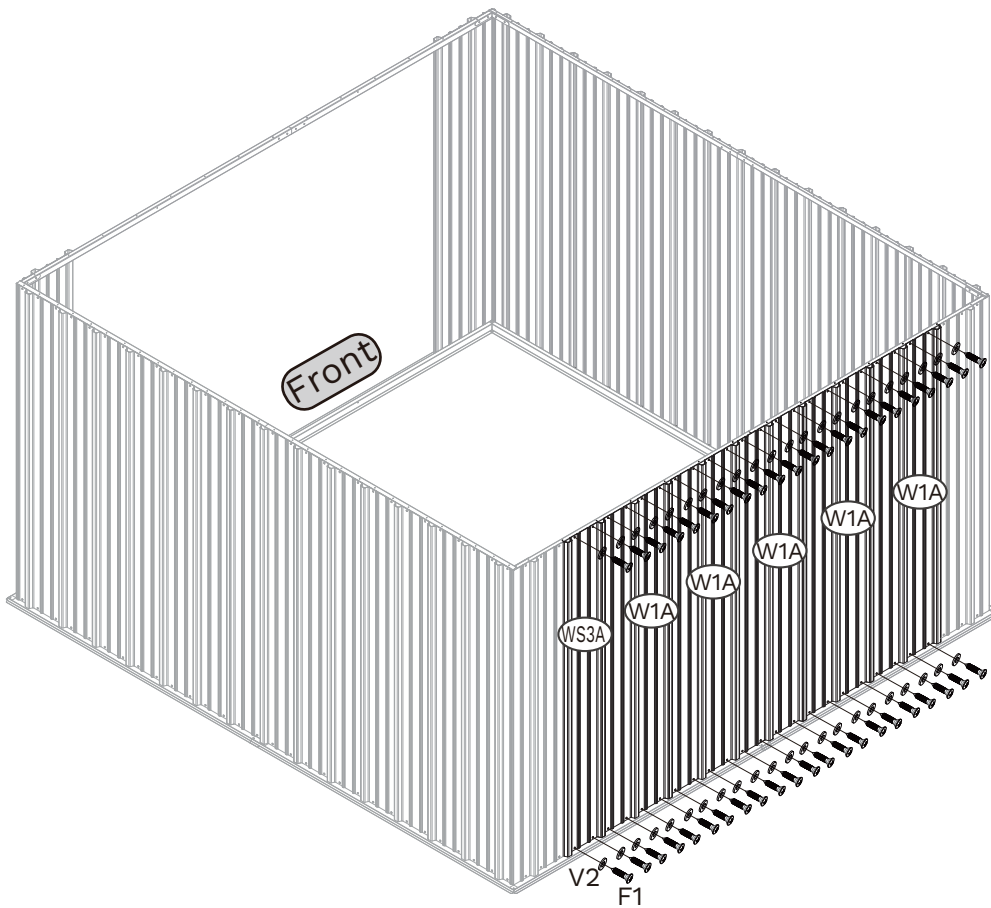
STEP 10



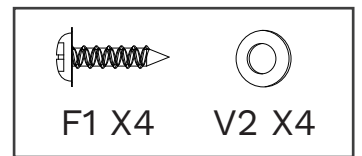
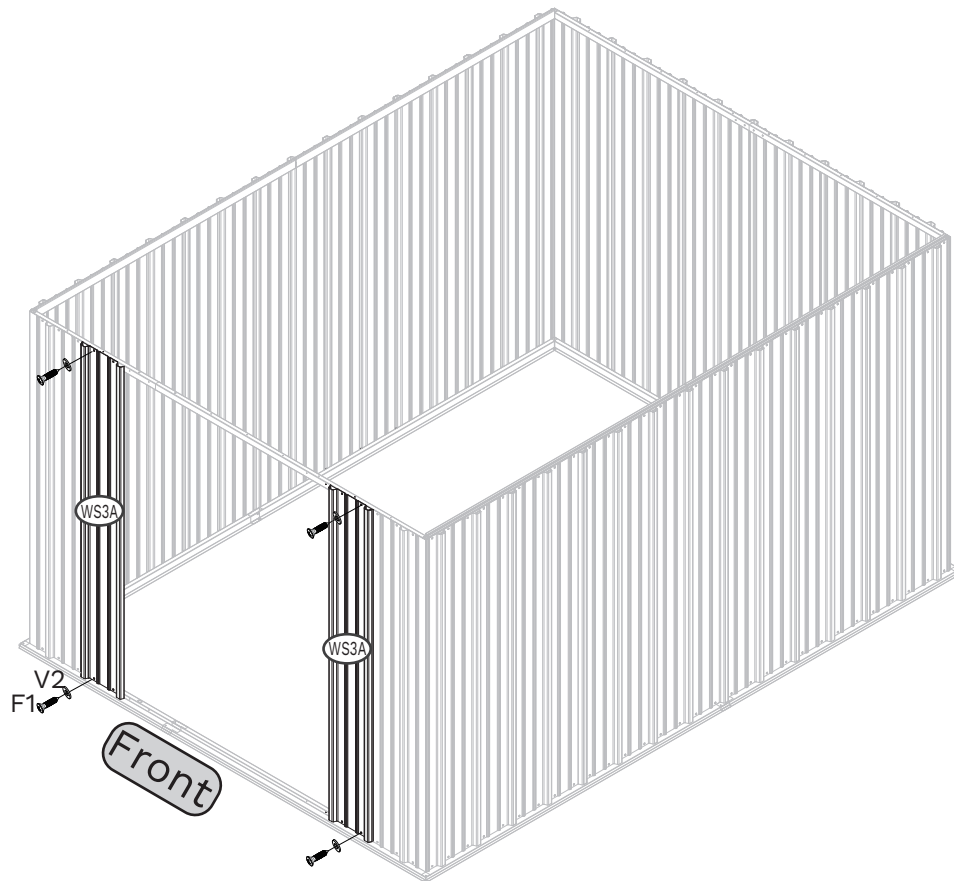
STEP 11



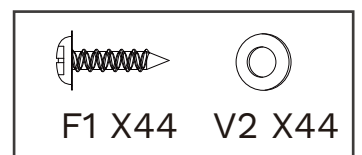
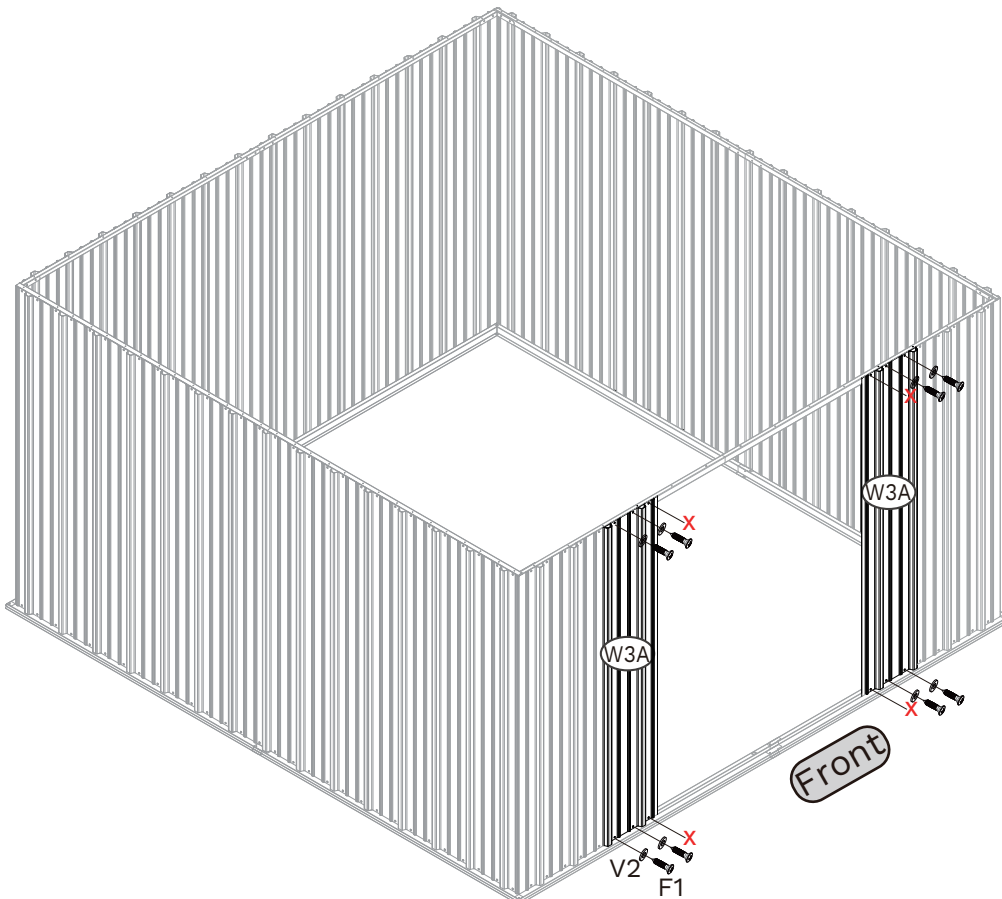
STEP 12



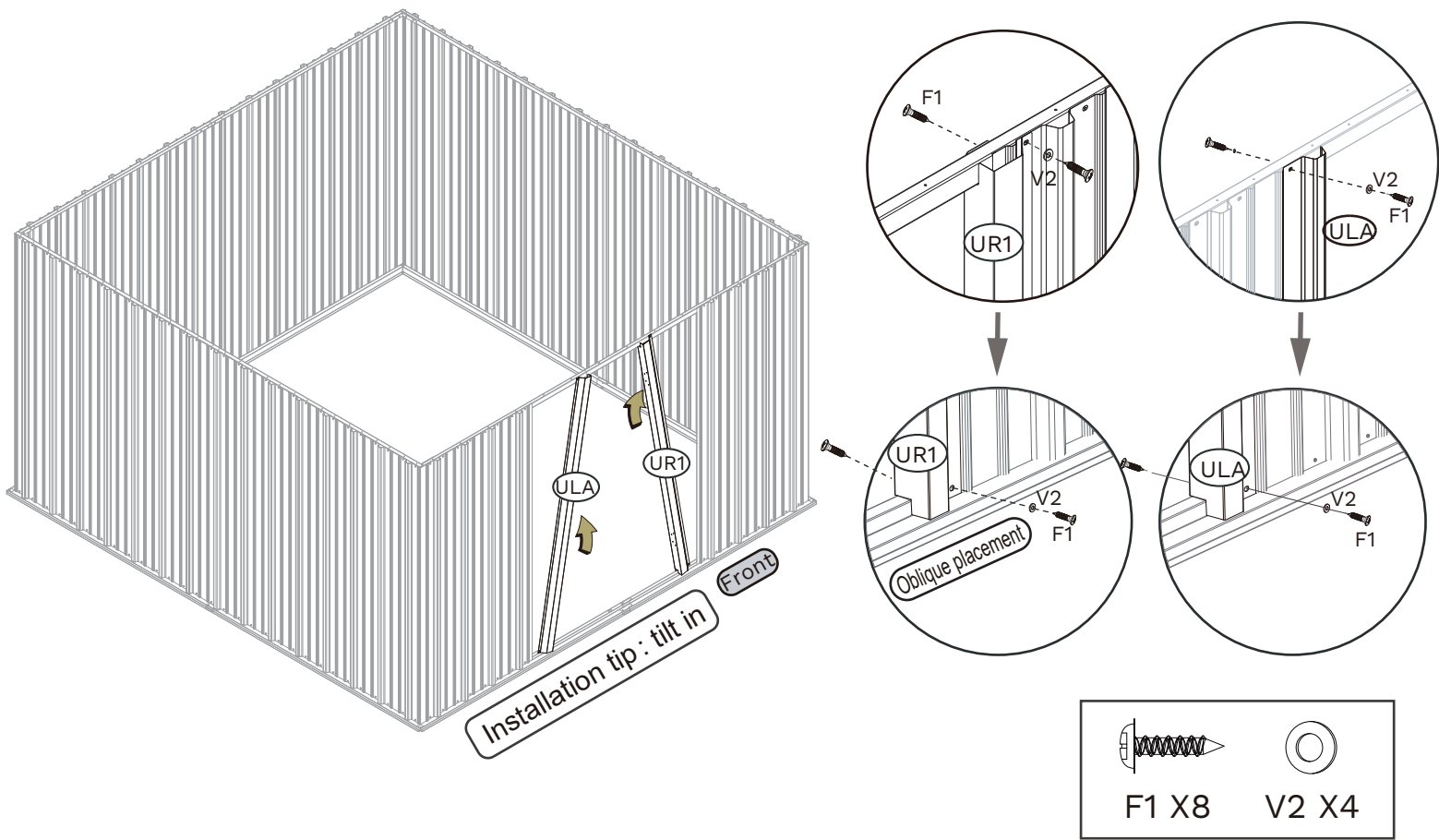
STEP 13



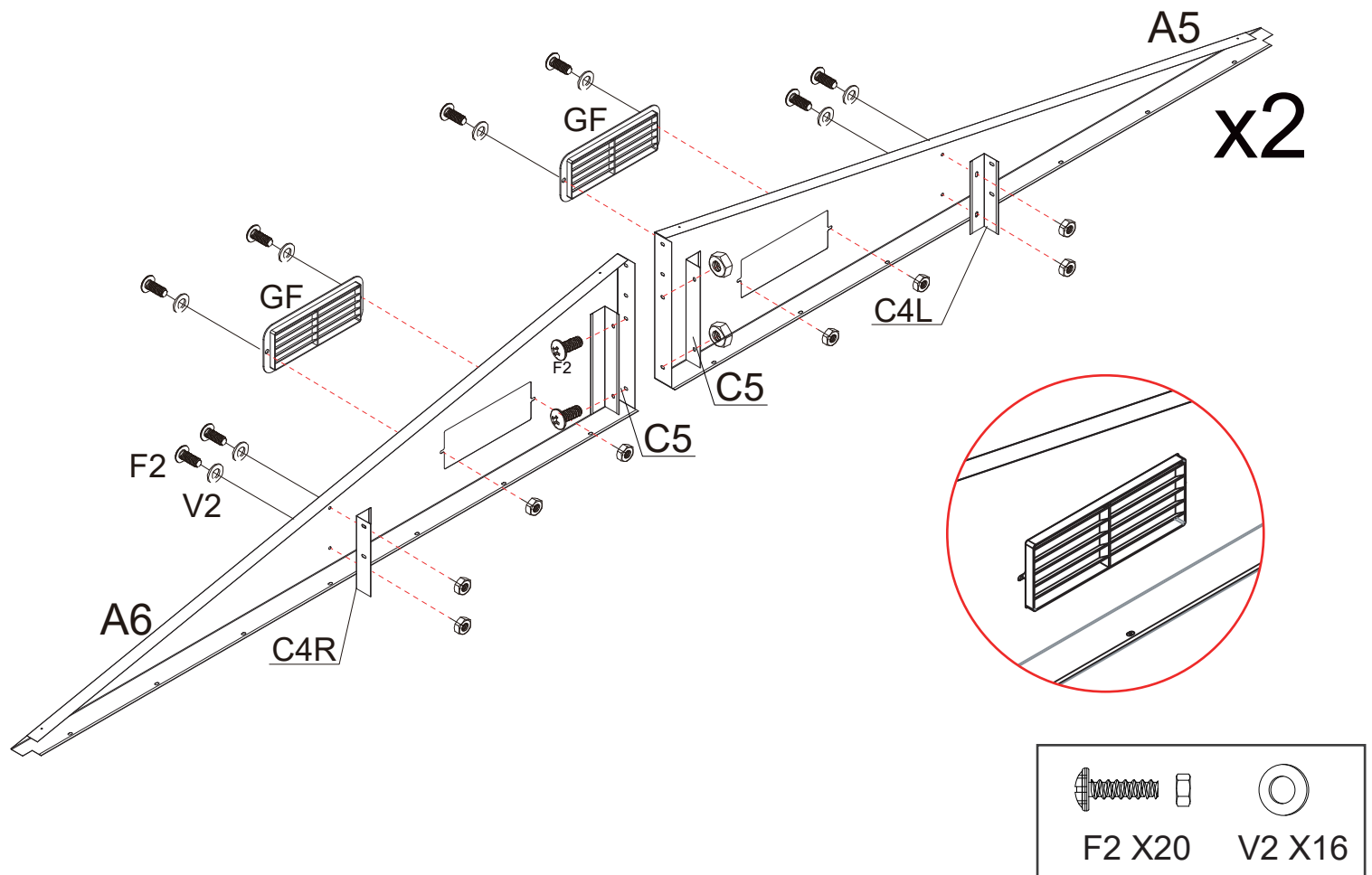
STEP 14



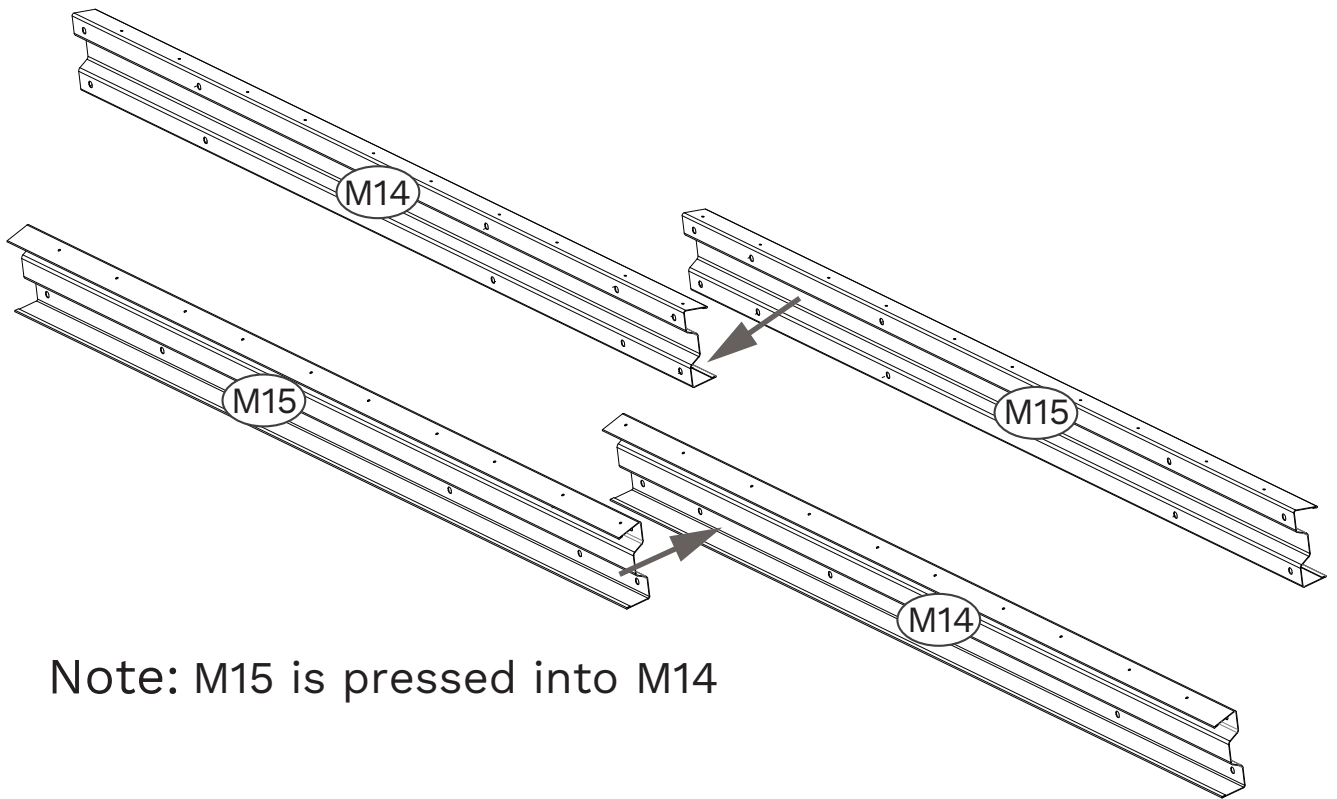
STEP 15



STEP 16



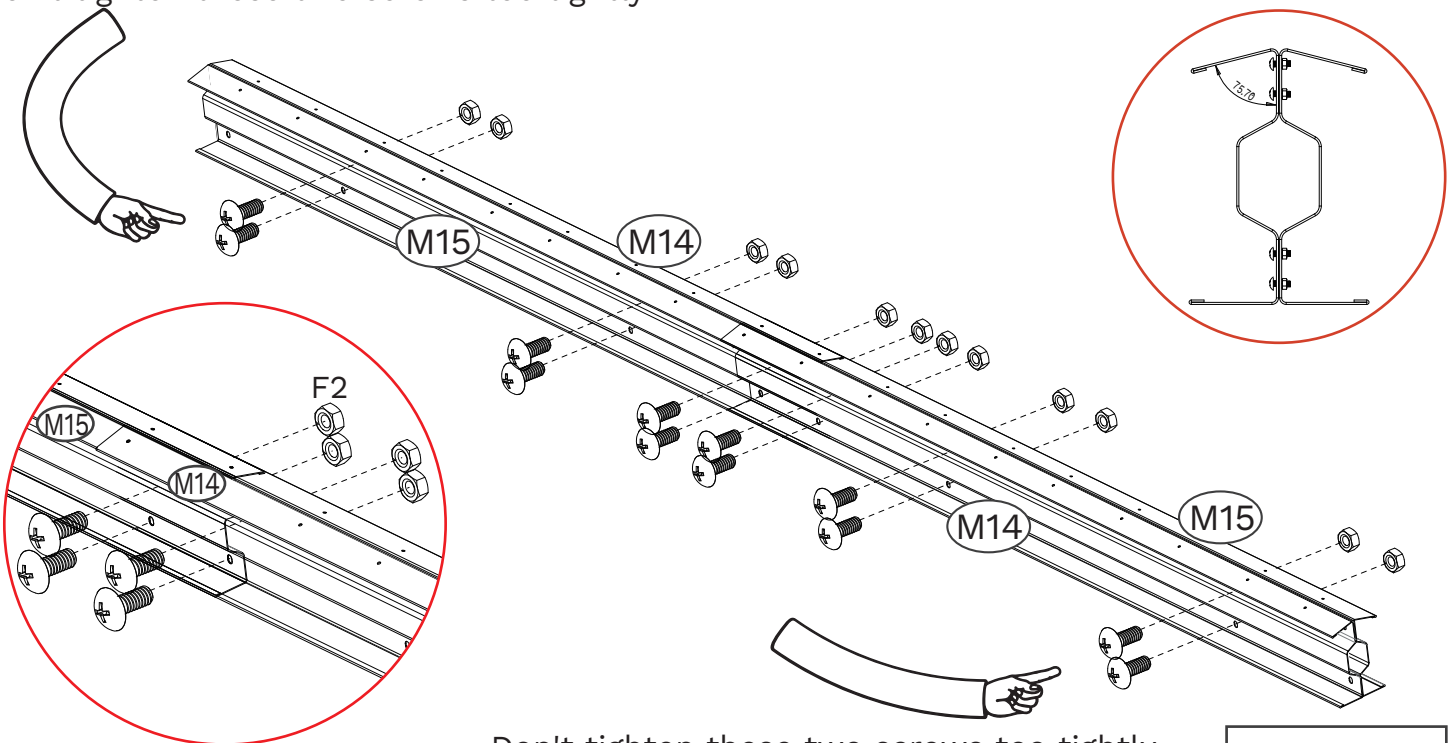
STEP 17



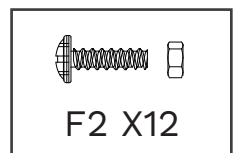
Note: M15 is pressed into M14

STEP 18

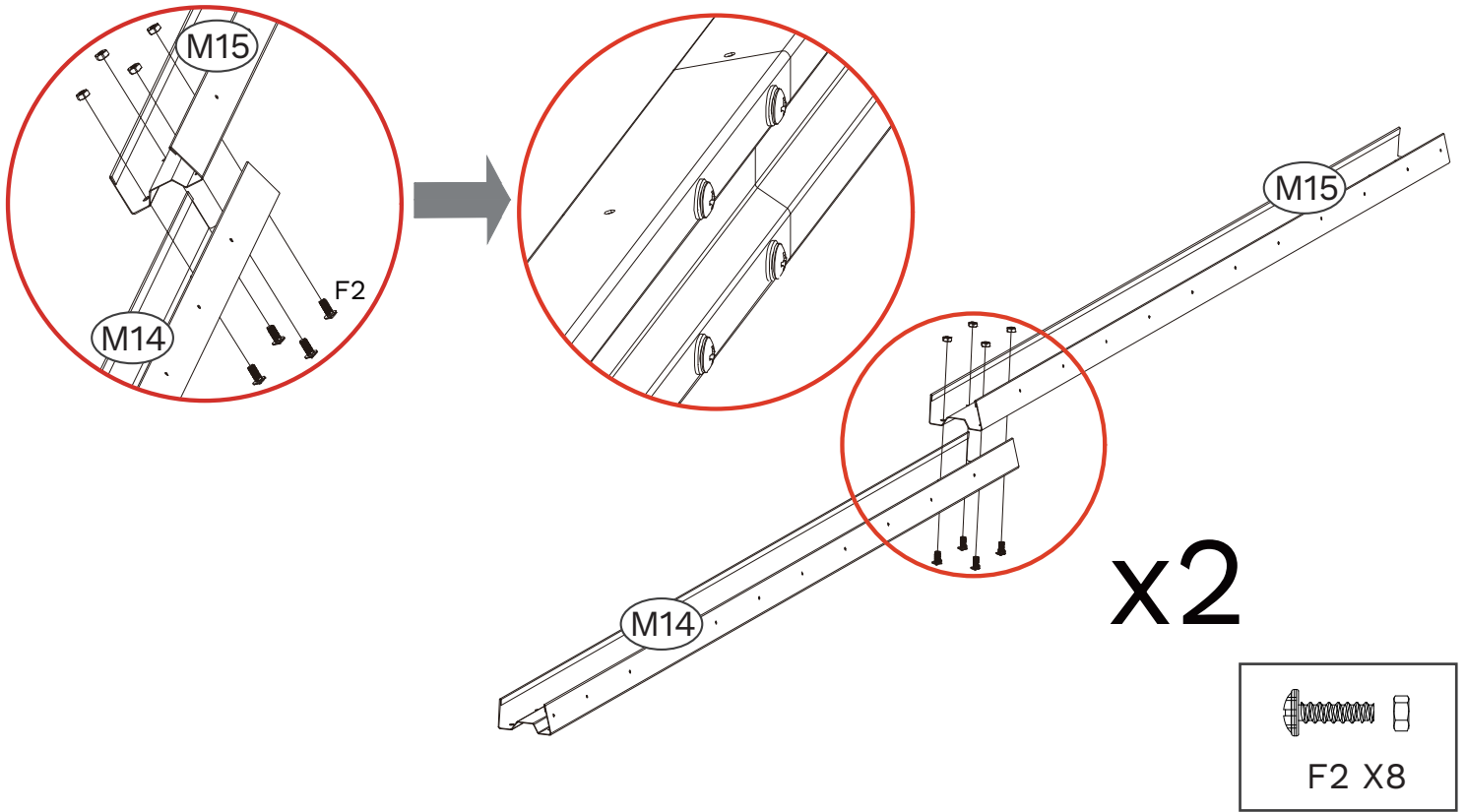
Don't tighten these two screws too tightly



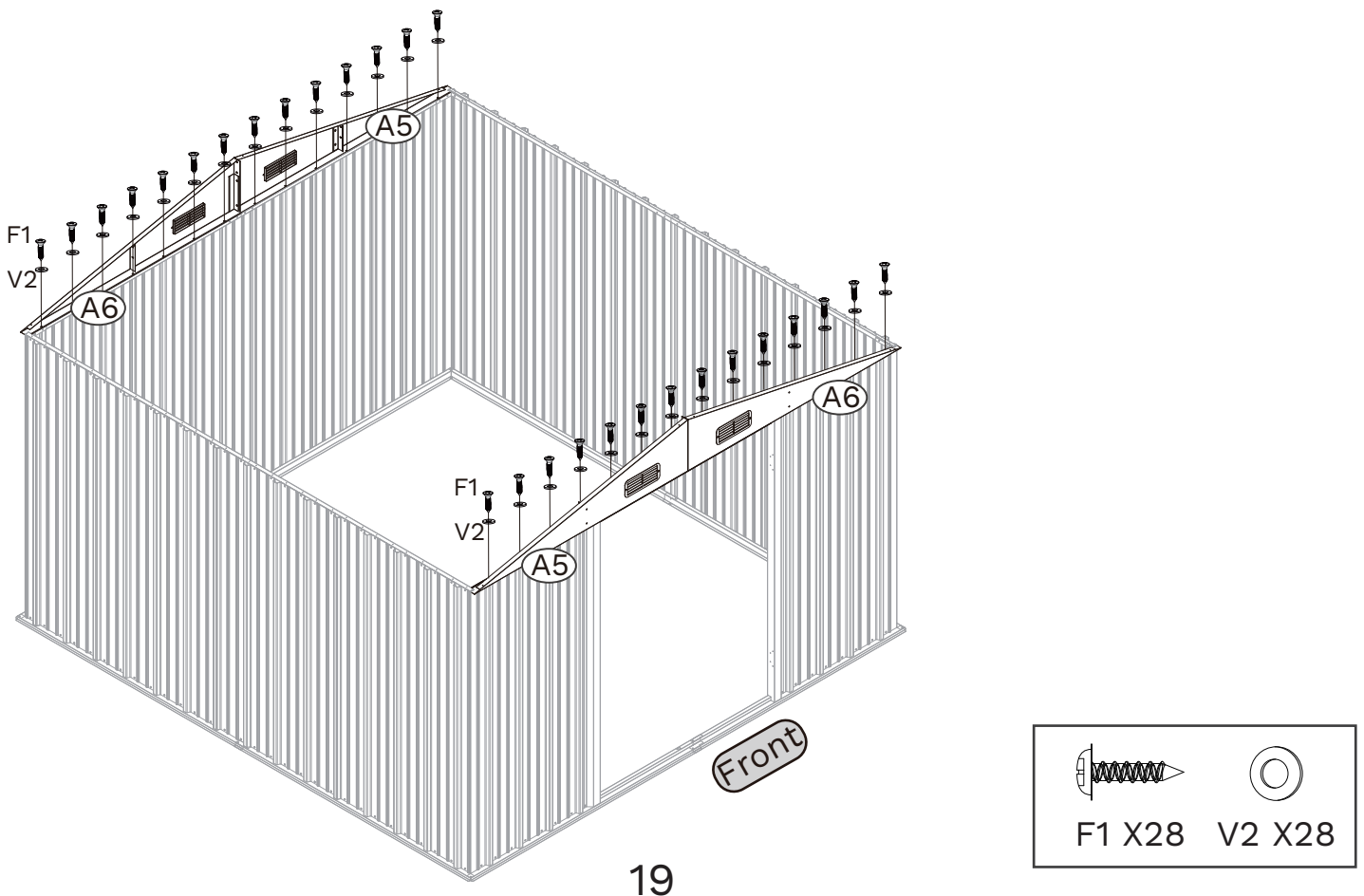
Don't tighten these two screws too tightly



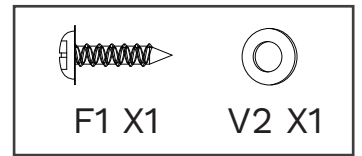
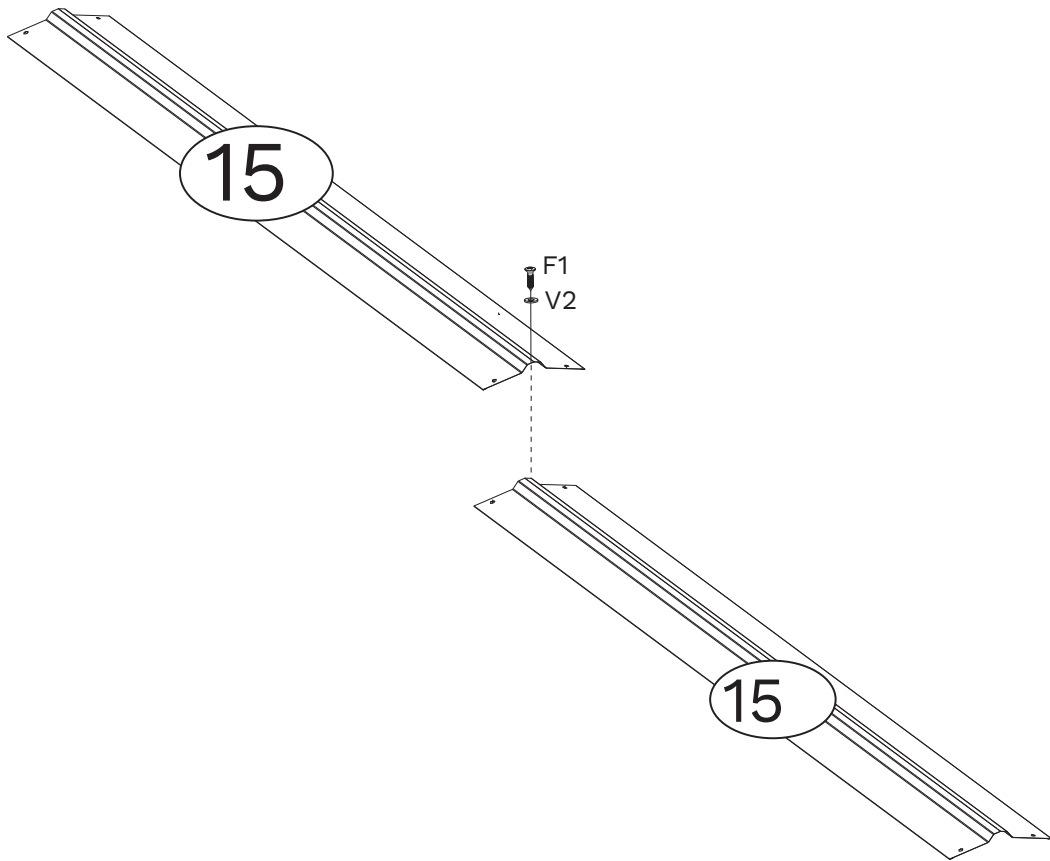
STEP 19



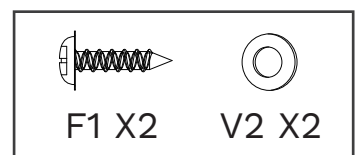
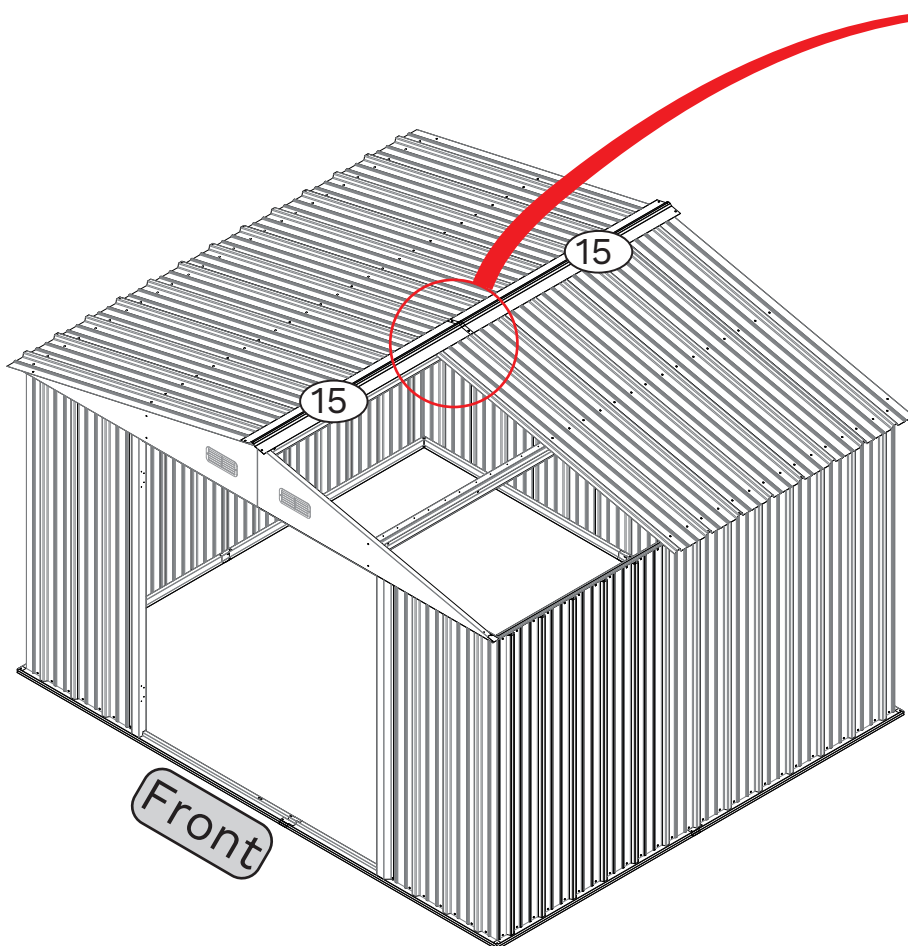
STEP 20



STEP 23

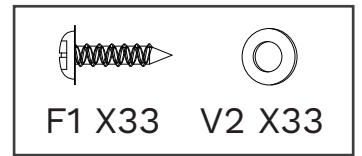
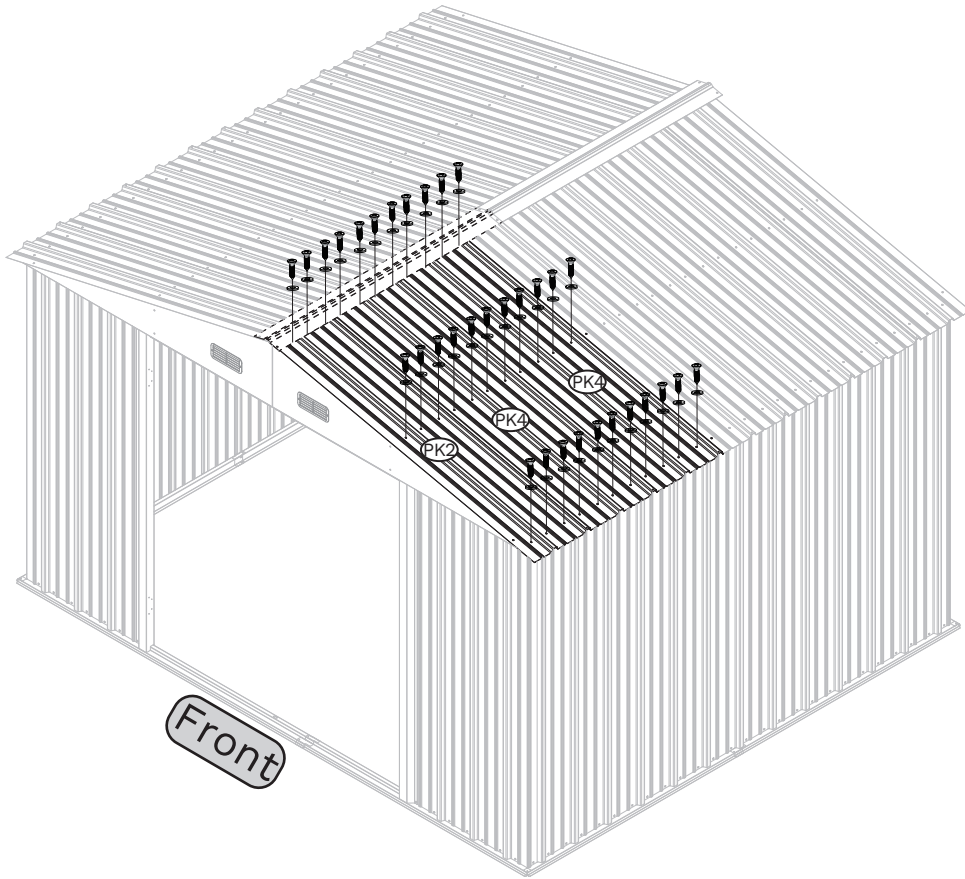


STEP 24



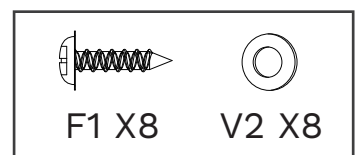
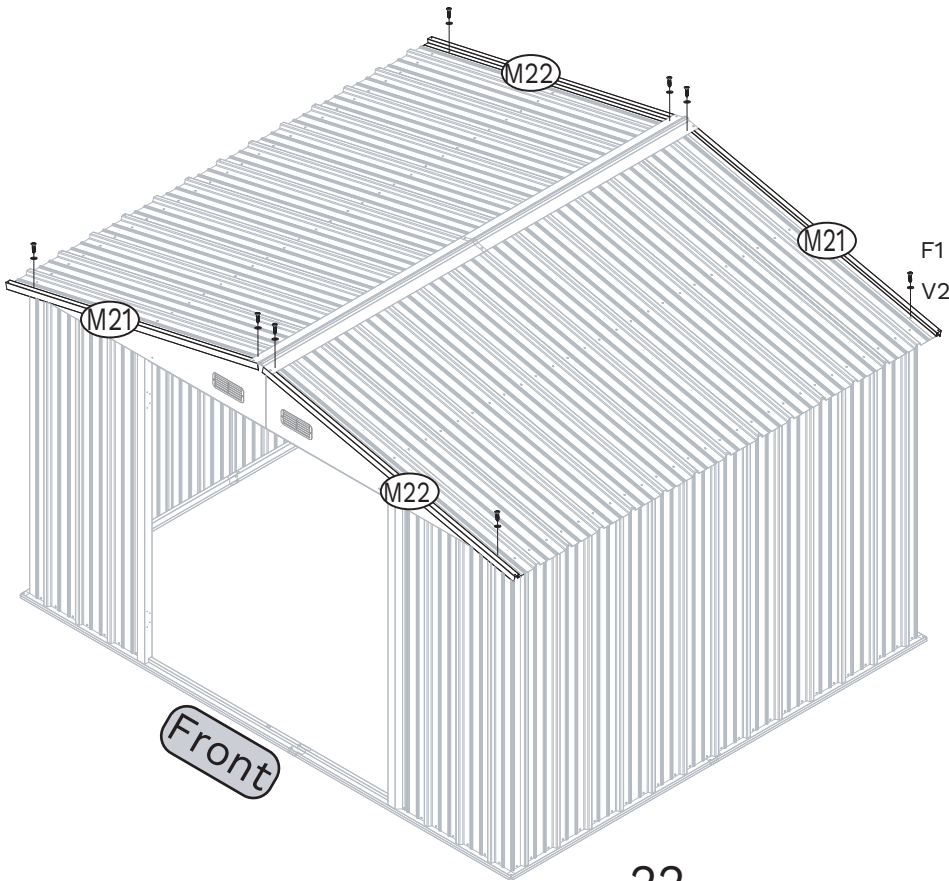
STEP 25

Installation tips: You need to gently lift the 15 and then screw it.

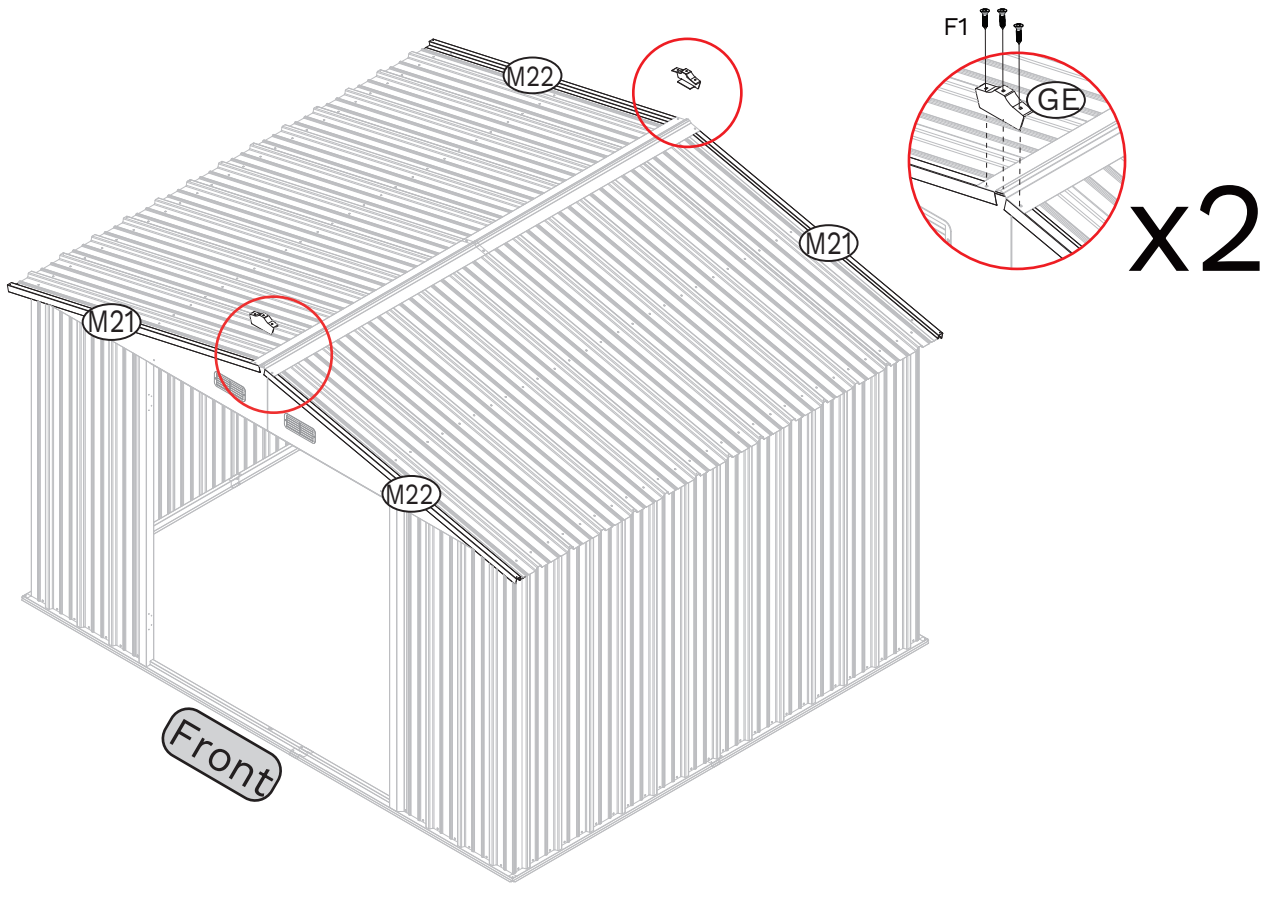


STEP 26

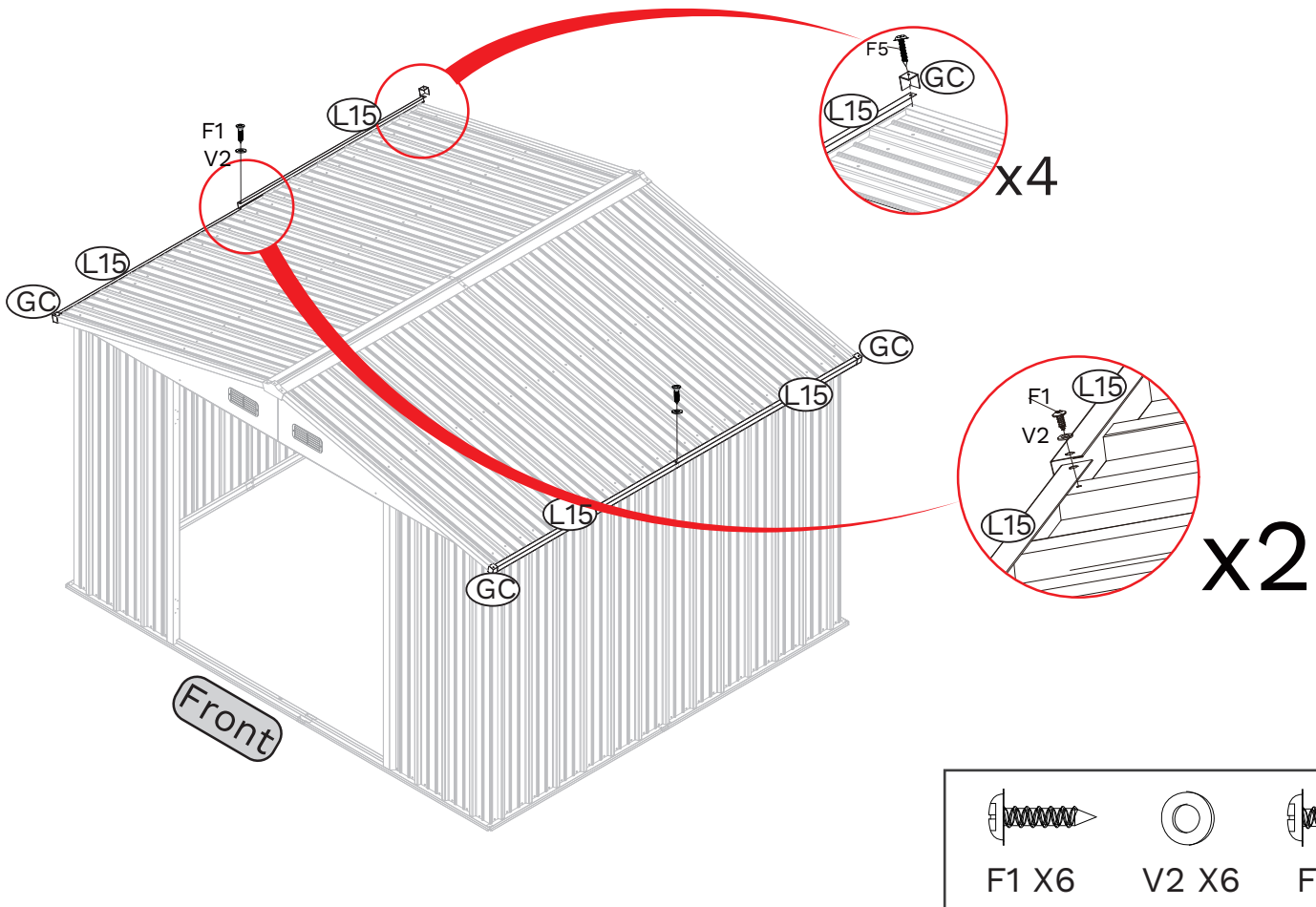
When installing the hole at the bottom of 15, 15 needs to be moved or lifted



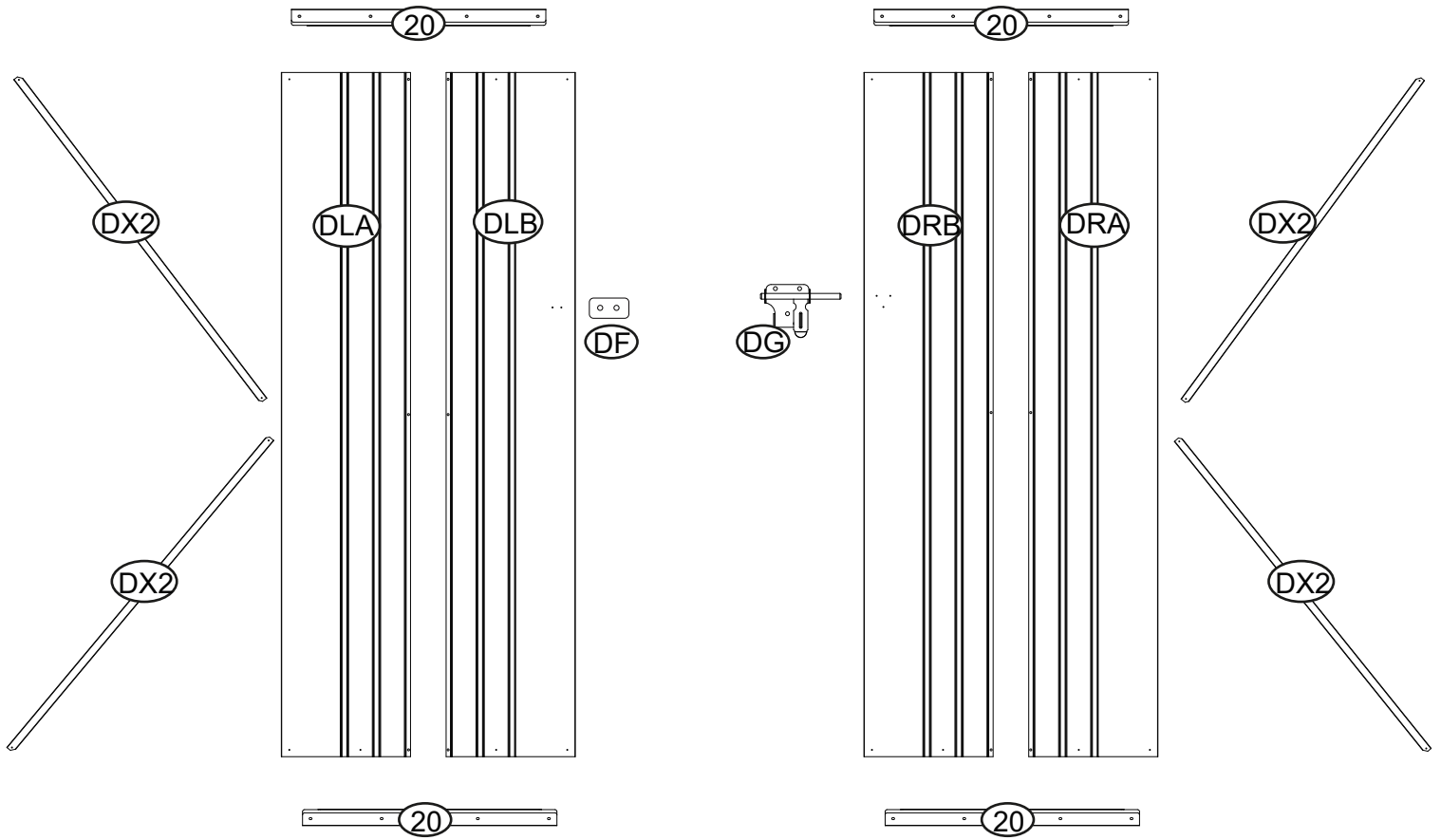
STEP 27



STEP 28

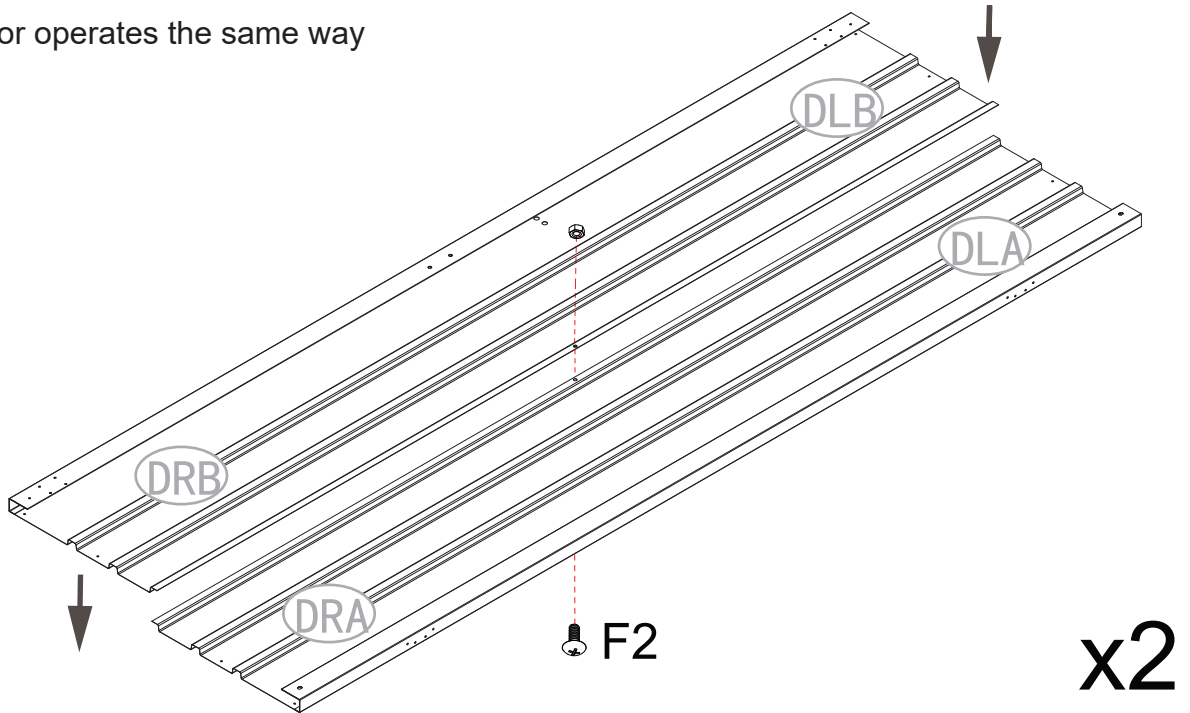


STEP 29

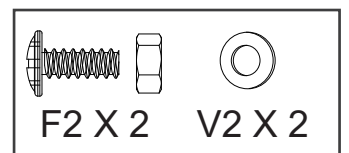


STEP 30

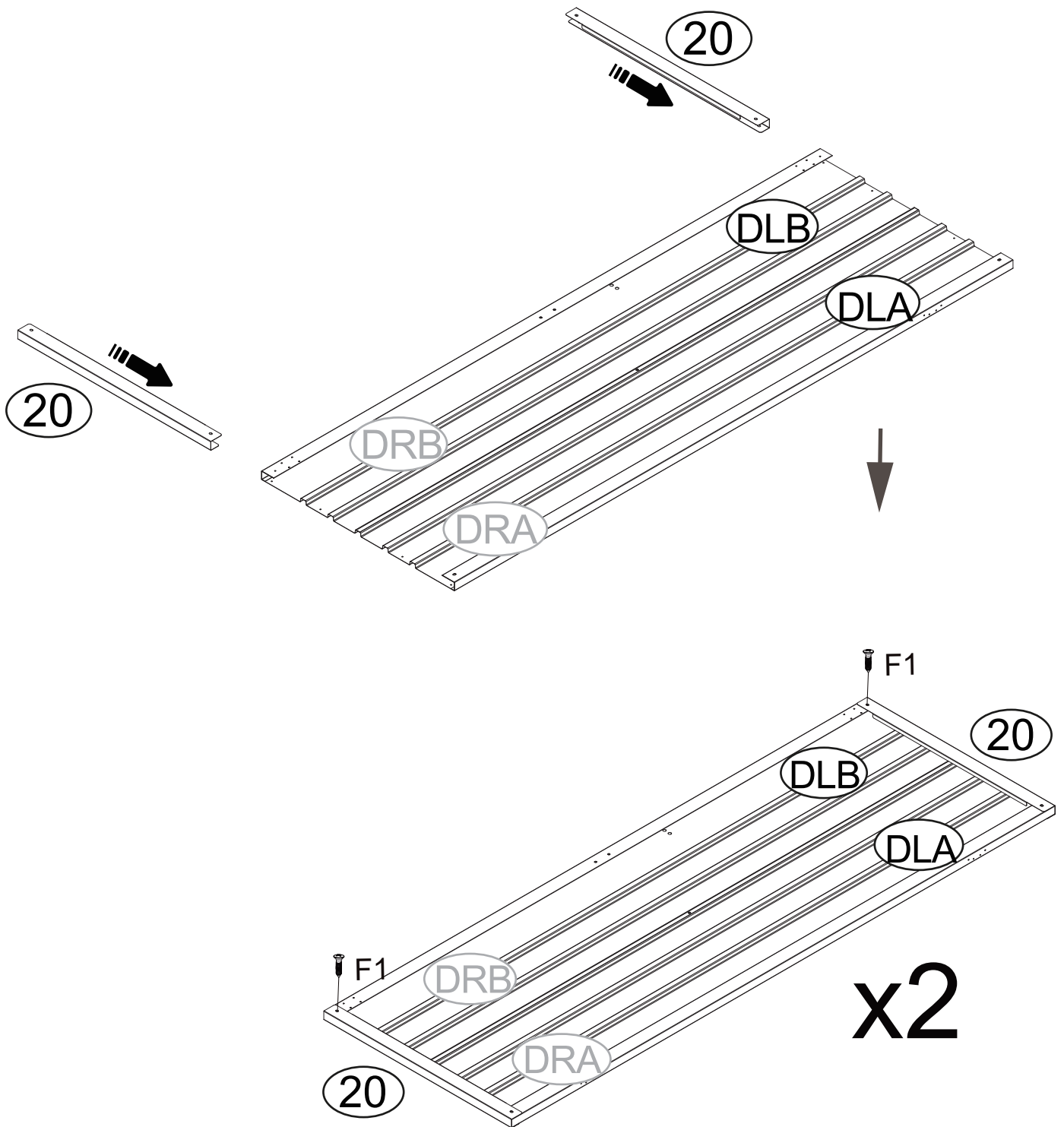
The other door operates the same way



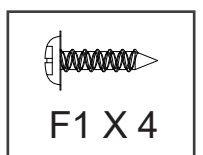
x2



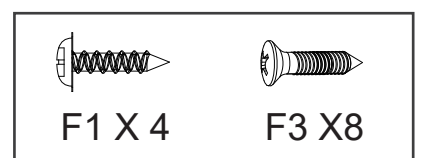
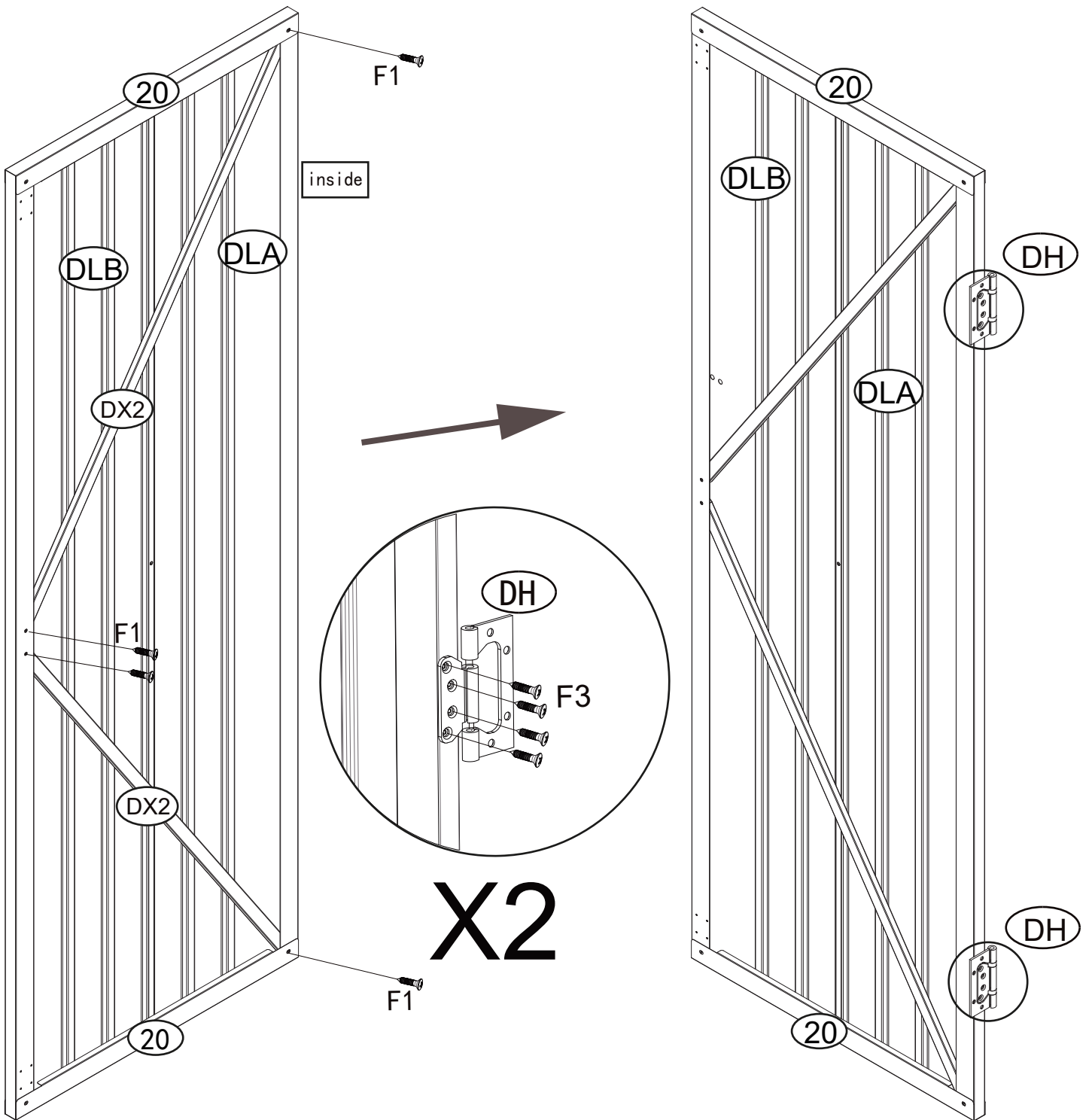
STEP 31



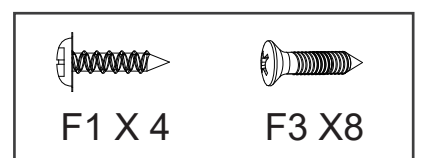
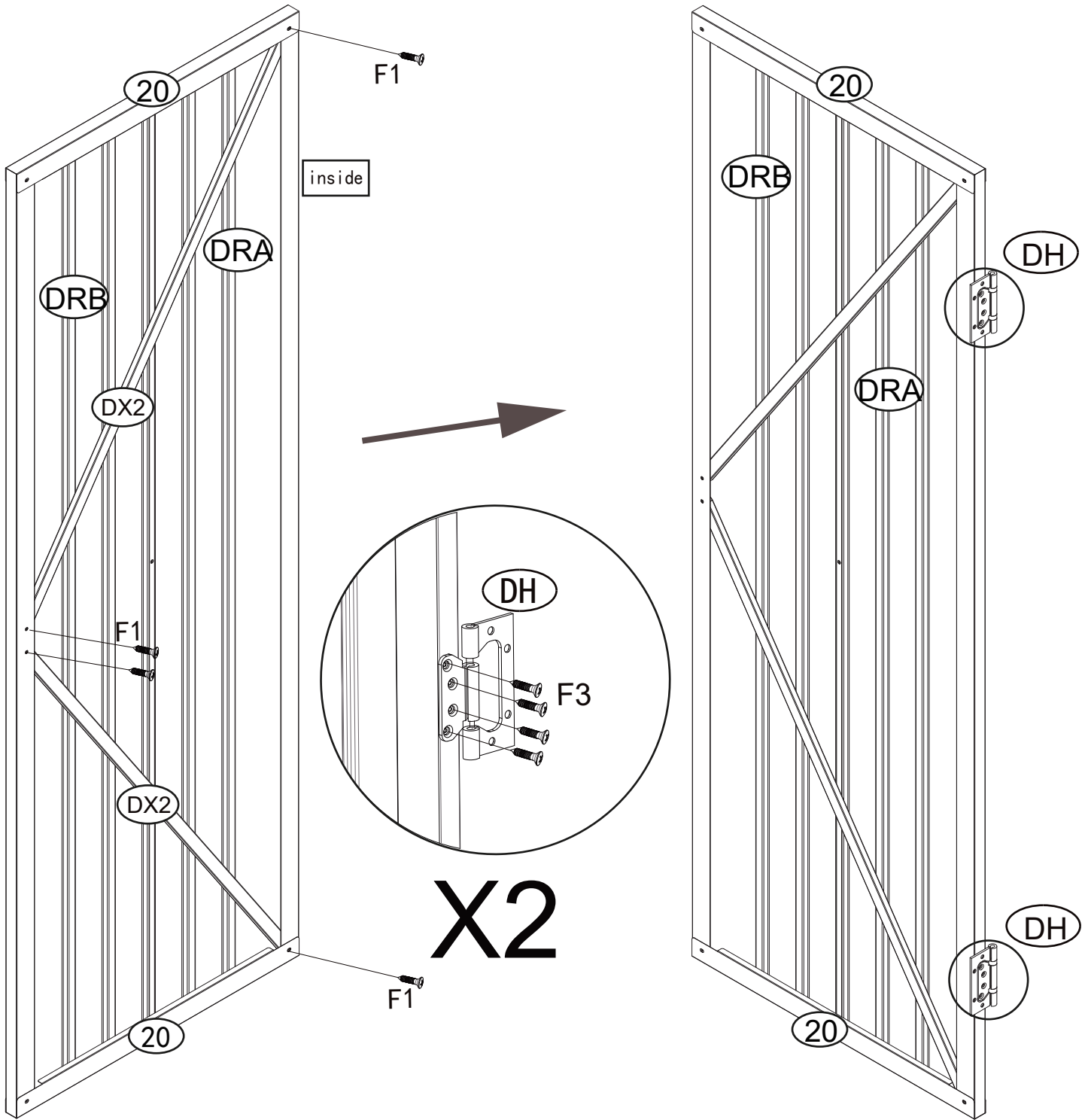
The other door operates the same way



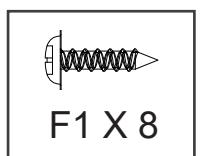
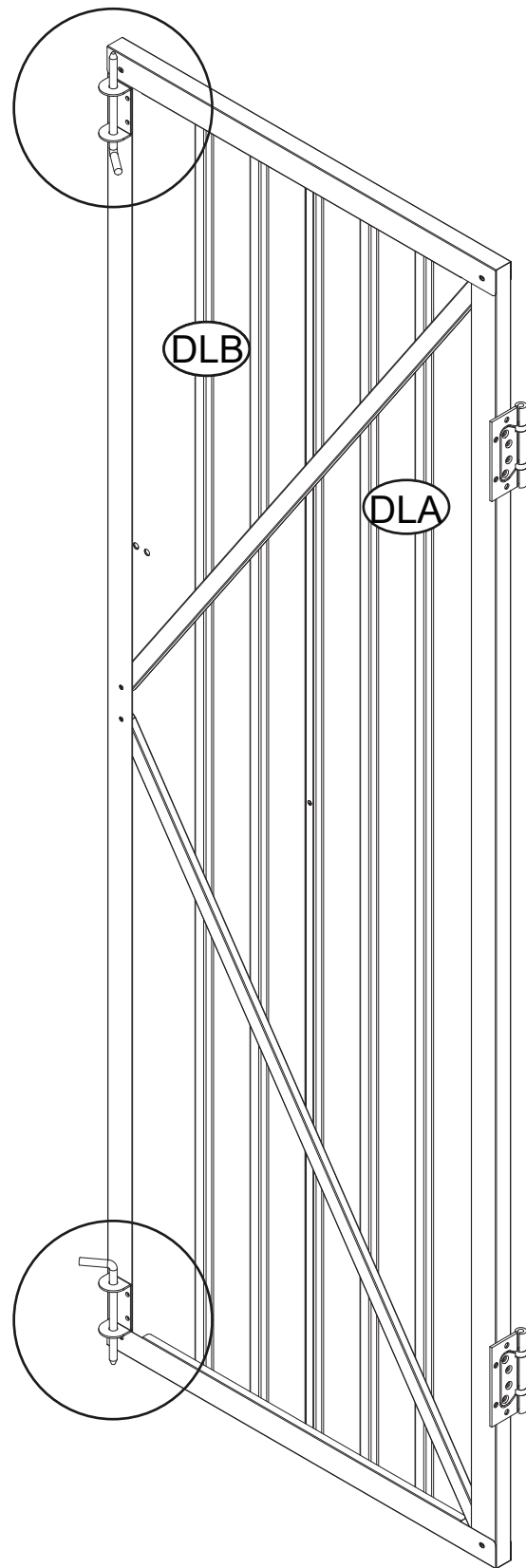
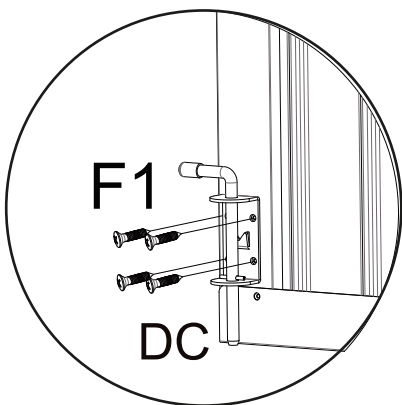
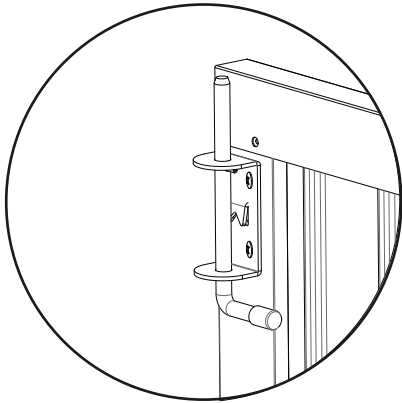
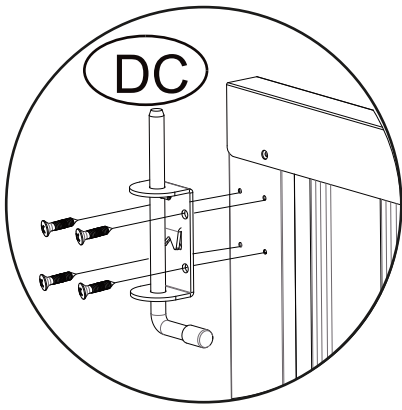
STEP 32



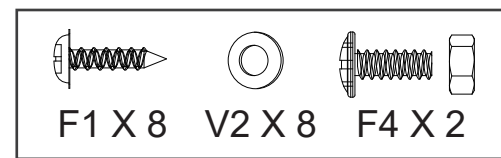
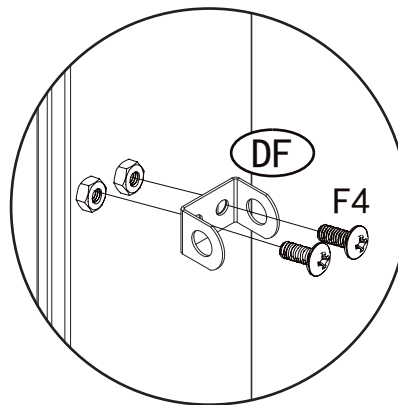
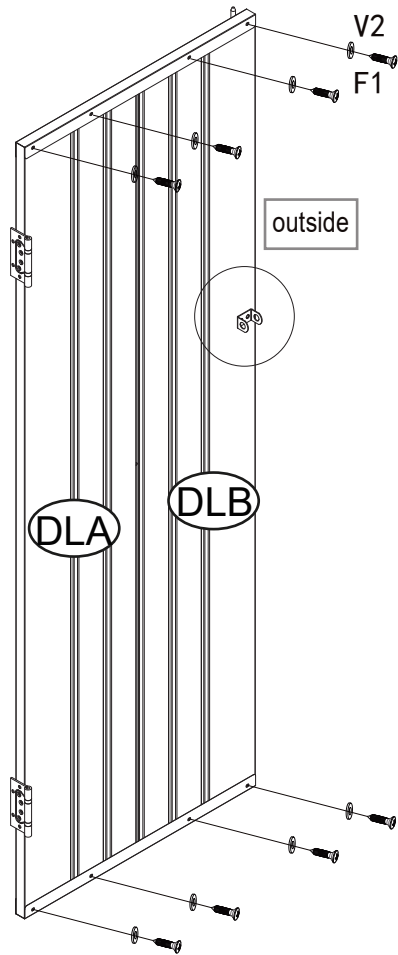
STEP 33



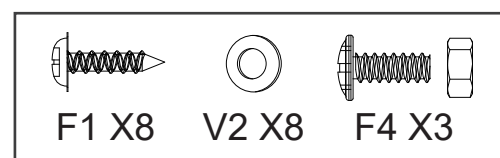
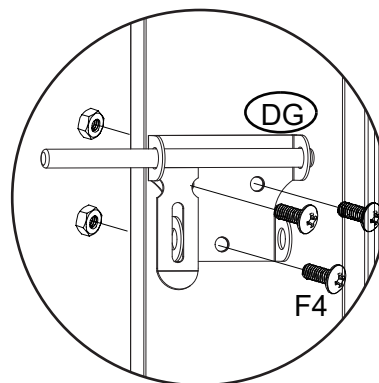
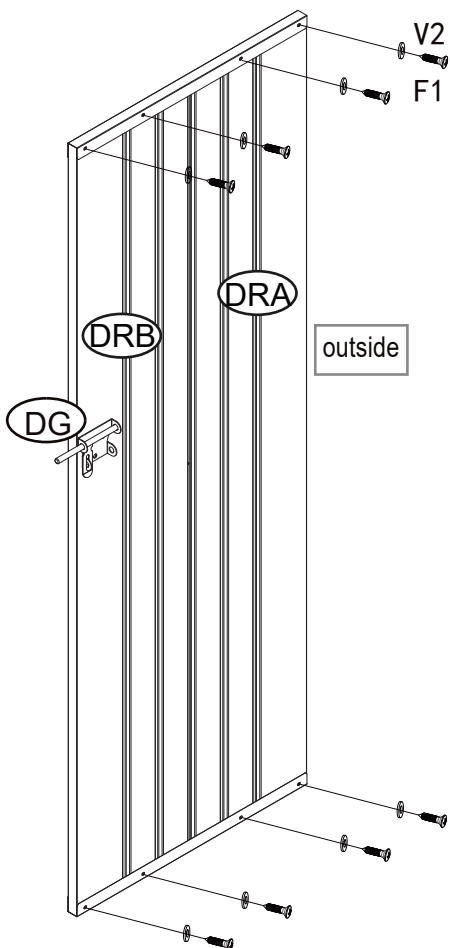
STEP 34



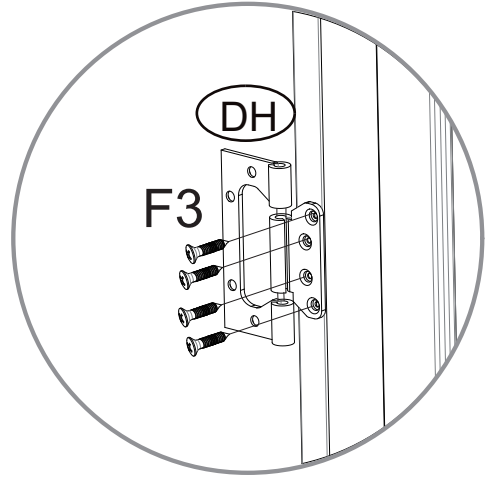
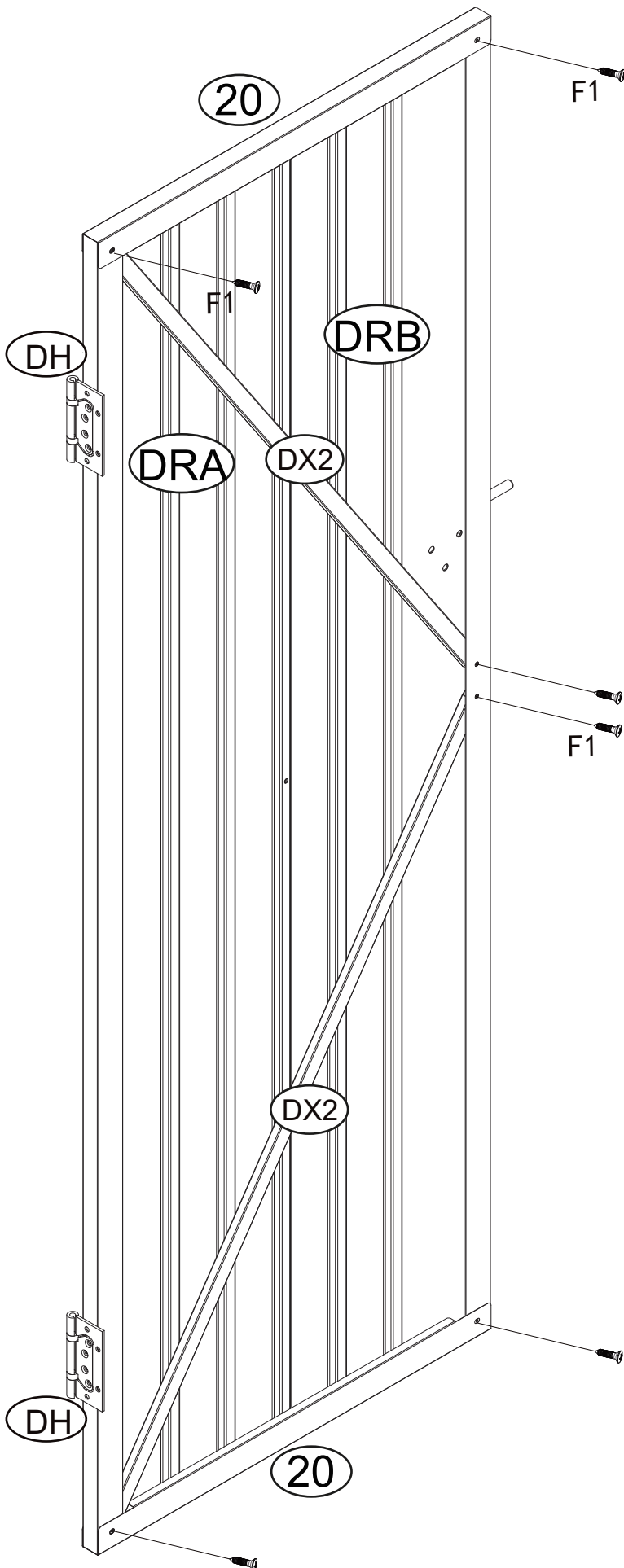
STEP 35



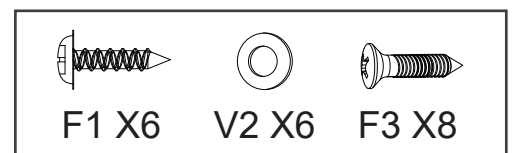
STEP 36



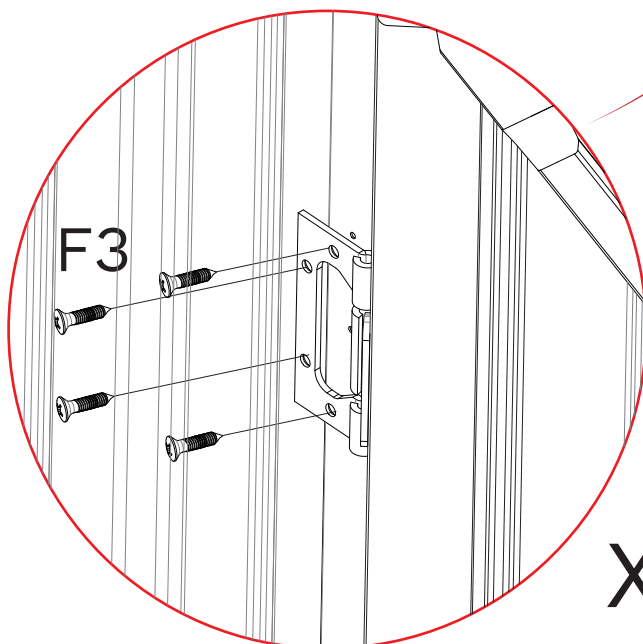
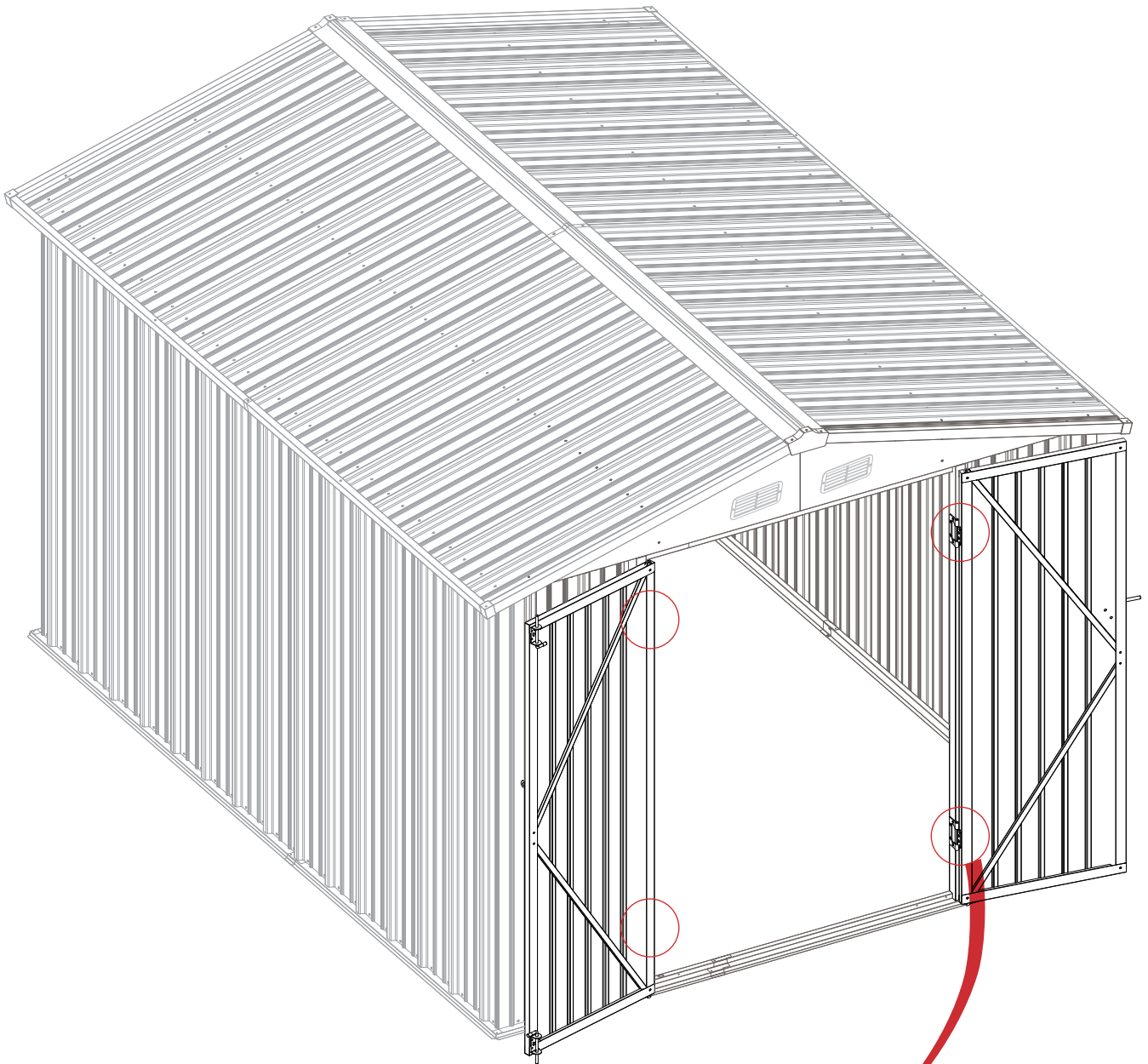
STEP 37



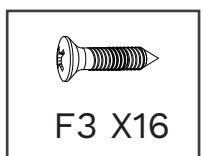
X2



STEP 38

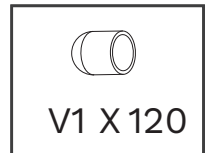
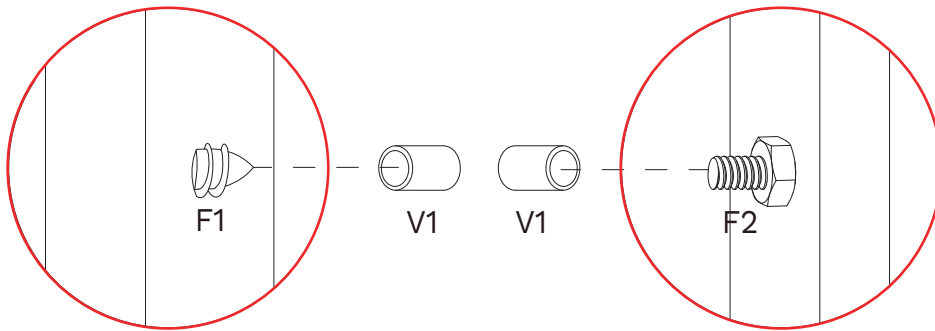
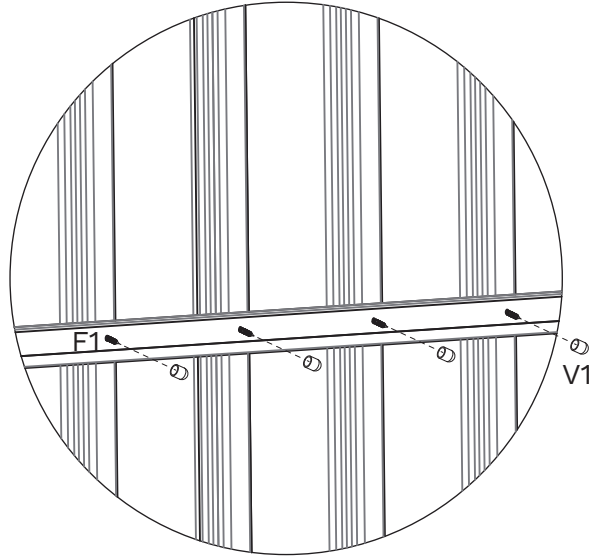


X4

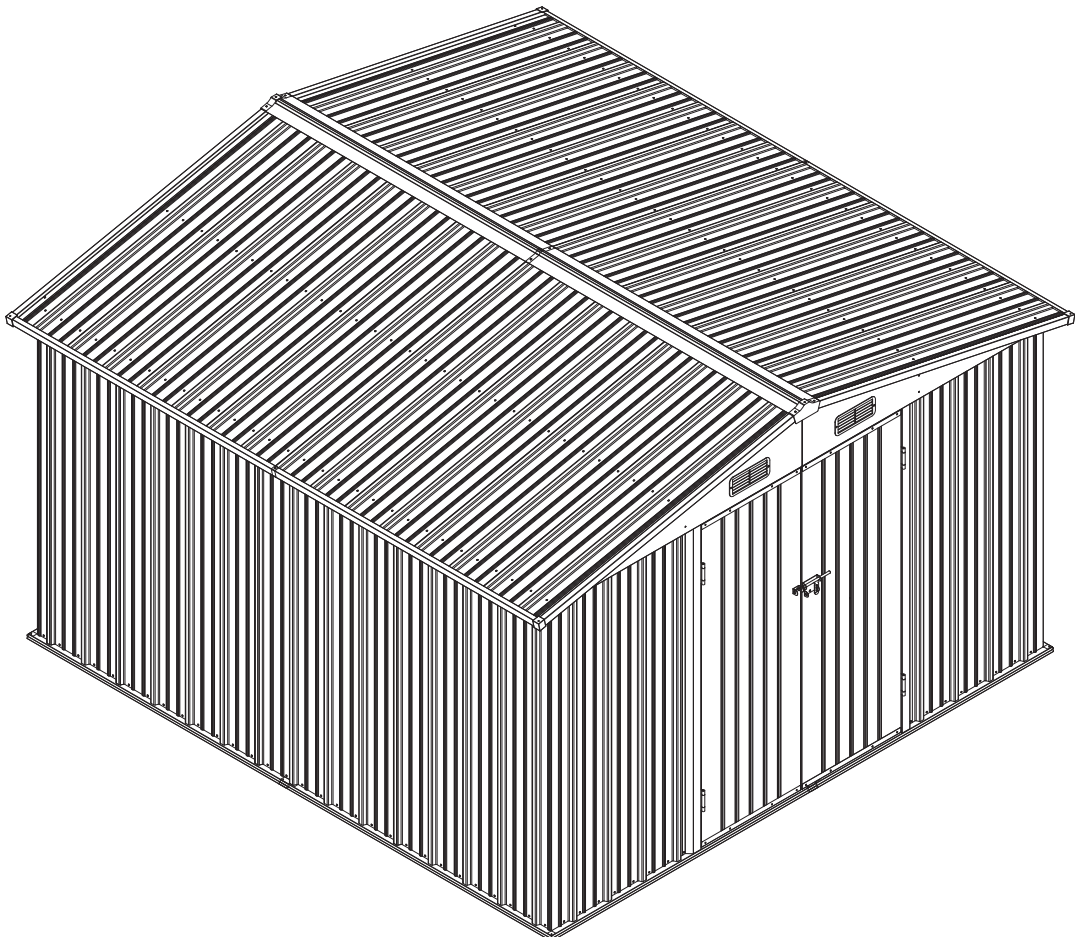


31

STEP 39



FINISH



CARE & SAFETY

- In case of fire, do not attempt to extinguish any burning polypropylene with water
- Unsuitable for storage of flammable or corrosive substances.
- It is of utmost importance to assemble all of the parts according to the directions. Do not skip any step.
- Please consult your local authorities if any permits are required to erect shed.
- Periodically check shed to assure that it remains stable and that the site remains level.
- It is highly recommended to secure the shed to an immovable object or to the ground by drilling holes in the floor at the pre-marked locations and inserting proper screws into the ground (size: 1.9"-3" ,screws are not included).
- Wear safety-goggles and always follow the manufacturer's instructions when using power tools.
- Wash shed with garden hose or a mild detergent solution. Using a stiff brush or abrasive cleaner could damage shed.
- Hot items such as recently used grills, blowtorches, etc. must not be stored in the shed.
- Heavy articles should not be leaned against the walls, as this may cause distortion.
- Keep roof clean of snow and leaves. Heavy amounts of snow on roof can damage the shed making it unsafe to enter.
- Although wind direction varies, it is an important factor when taking into account where to place your shed. Therefore, it is recommended to reduce wind exposure of the shed in general, and the door side in particular.
- Keep doors closed and locked to prevent wind damage.
- Do not stand on the roof.