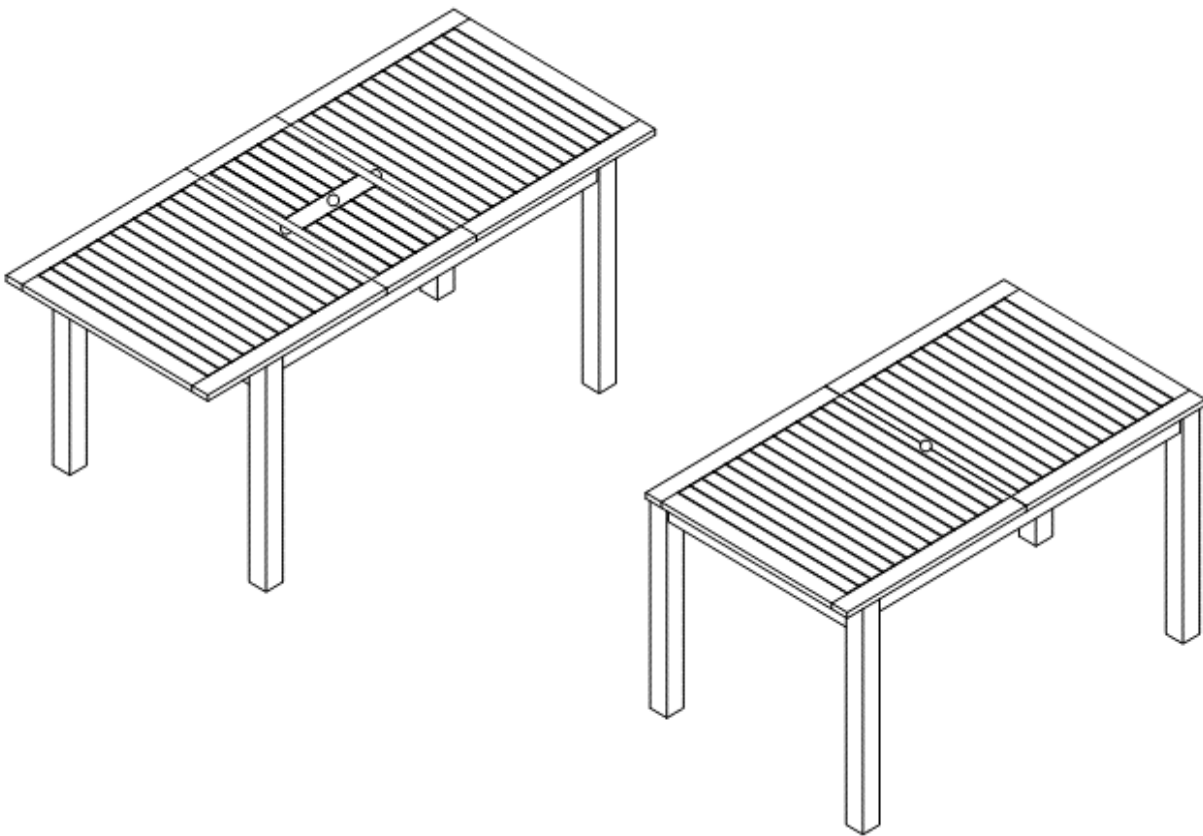


Assembly Instructions

Caution: You should read this before you proceed

Please look in the corner of box for hardware packs

Extention Table

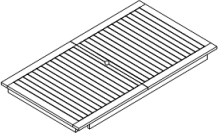

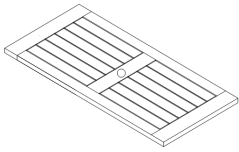


Caution: This Table is NOT a TOY.




Keep your child / children at bay during the assembly process.

For moving the Table and to prevent any damage to it, two adults are needed to execute this action.

Parts List

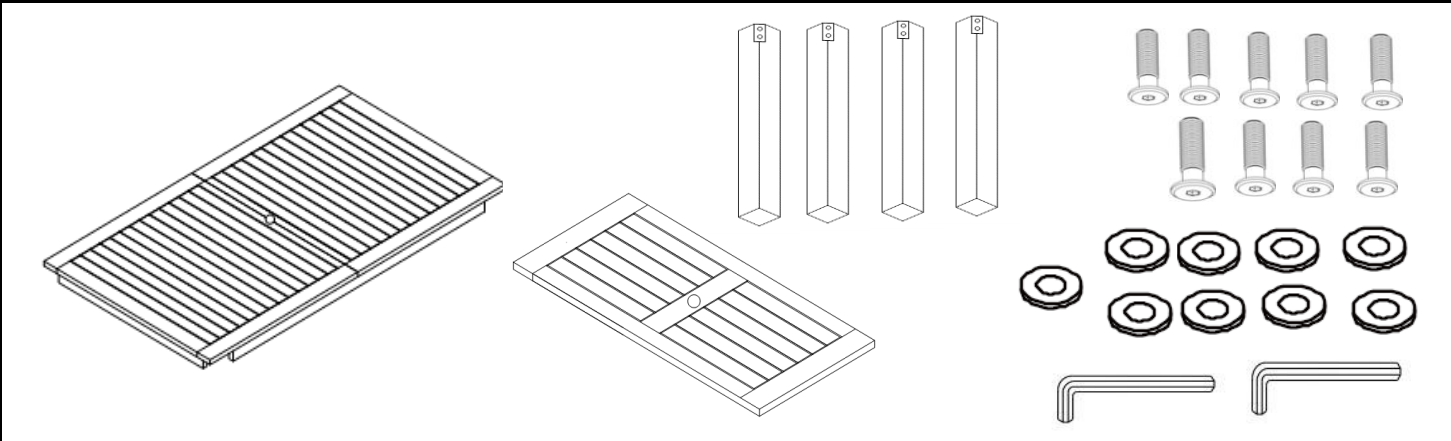
| Label | Picture | Description | QTY |
|-------|---|------------------------------|-----|
| A |  | Table Top | 1 |
| B |  | Leg | 4 |
| C |  | Expansion Board of Table Top | 1 |






Hardware

| Label | Picture | Description | QTY |
|-------|---|----------------|-----|
| ① |  | Bolt (M8x60mm) | 9 |
| ② |  | Washer | 9 |
| ③ |  | Allen Wrench | 2 |

Assembly Preparation

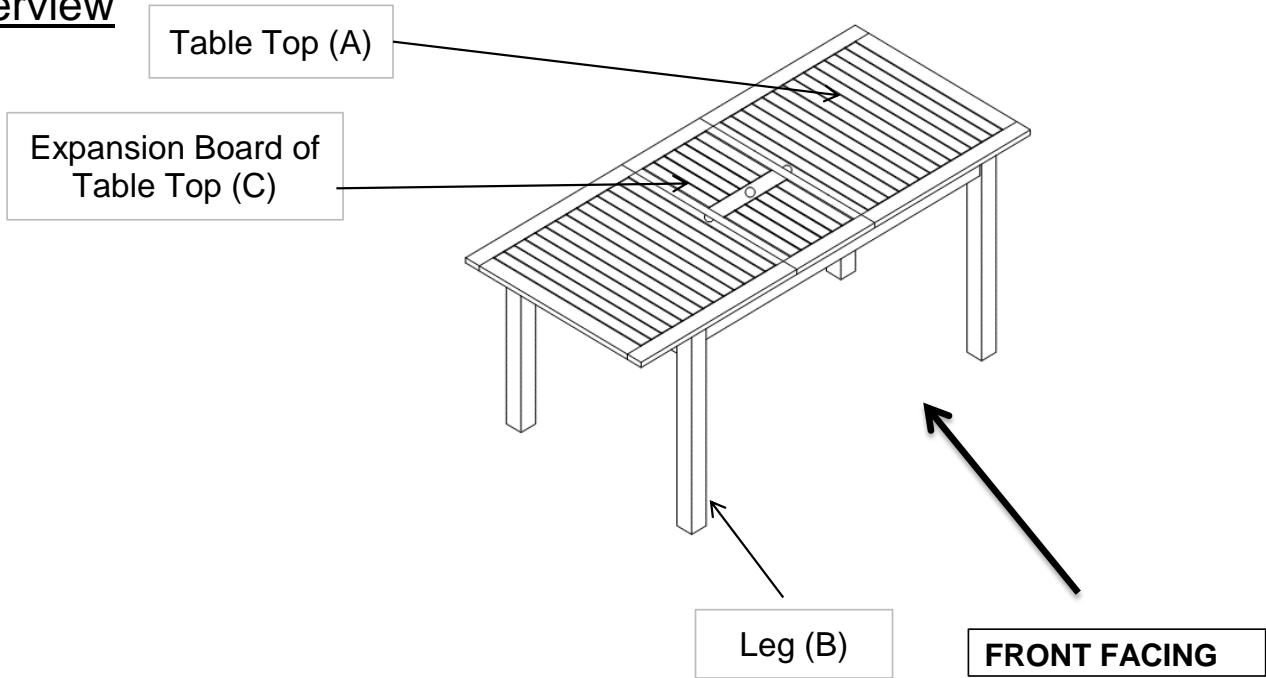
Before Beginning Assembly:



-  • Read instructions, cover to cover-
-  • Have 2 adults on hand for assembly-
-  • Do not assemble on flooring or carpet-
-  • Assemble on a clean non-marring surface (packing foam)-
-  • Save all packaging until finished-

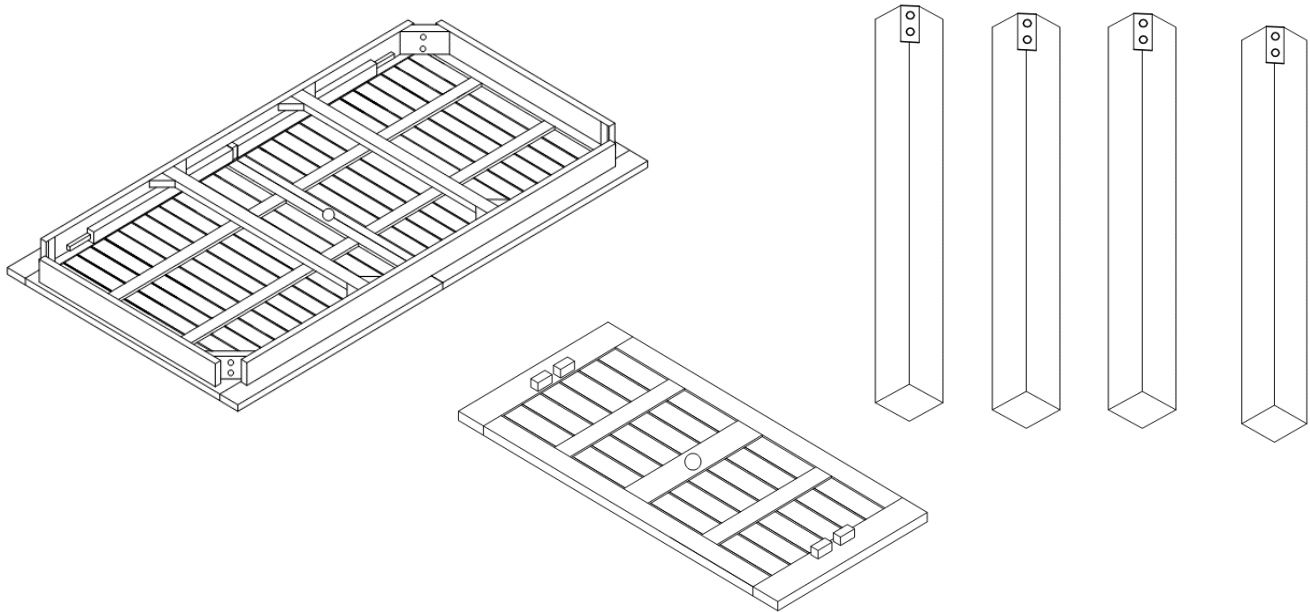
Assembly Steps

Overview



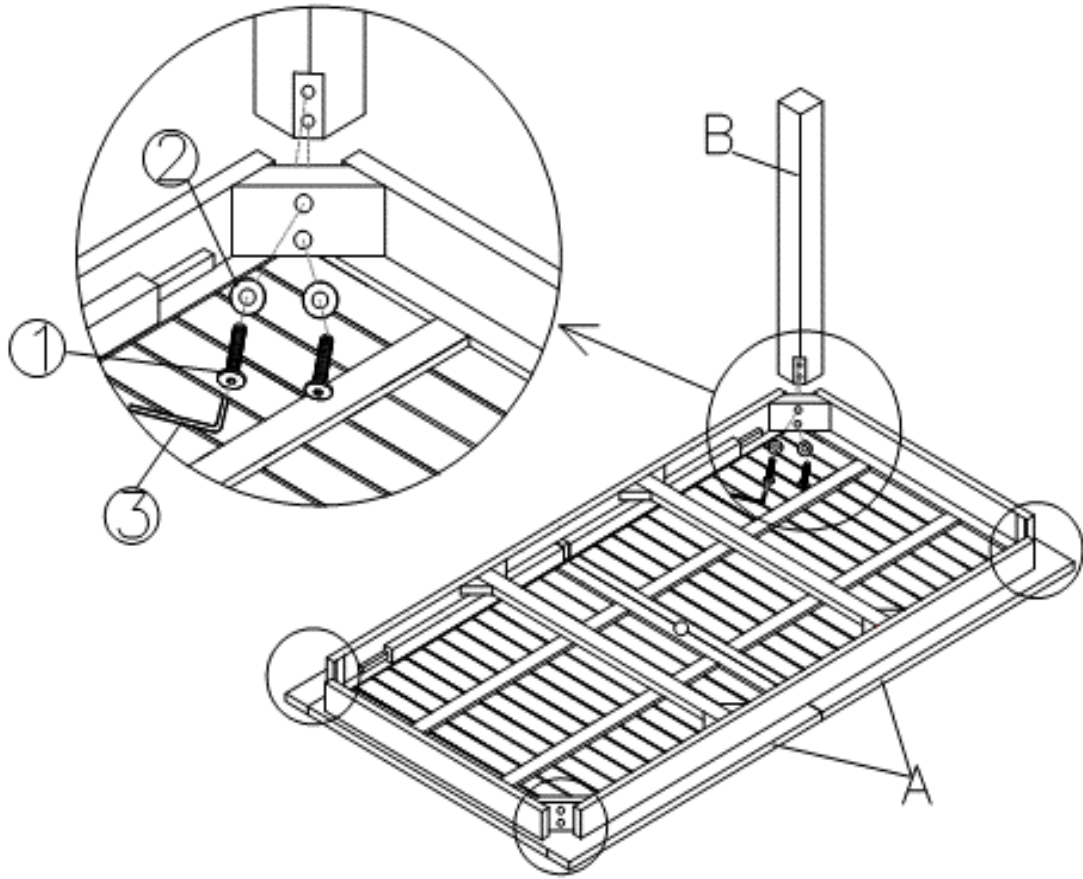
This Table has multiple parts and may require up to 30 minutes to assemble. To give you an overview of the table, the above picture is to help you put the various parts into perspective. Please read through the instructions below to familiarise yourself with the parts and steps before assembly.

Step 1



Unpack and place all parts on a clean, non-marring surface.

Step 2



Place the Table Top(A) facedown, onto a clean, non-marring surface.

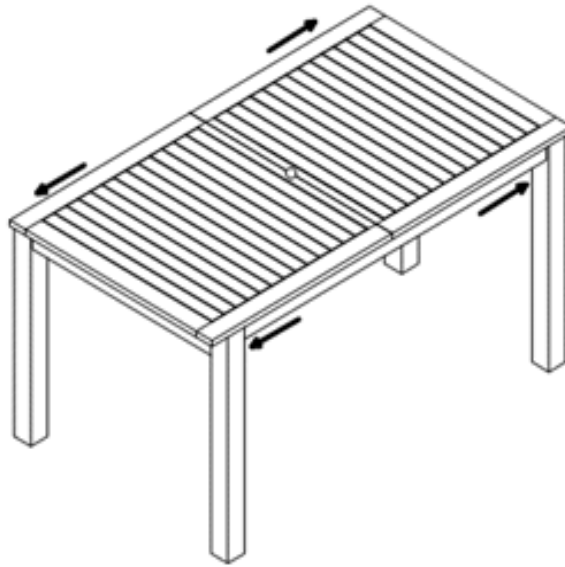
Attach a Leg(B) to the Table Top(A) using Bolts(①), Washers(②) and the Allen Wrench(③).

Do not fully tighten the Bolt.

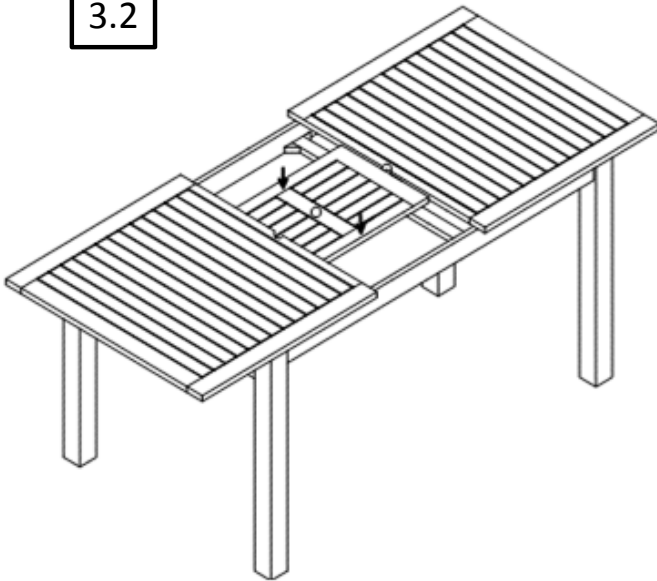
Repeat the same process with the remaining three Legs(B).

Step 3

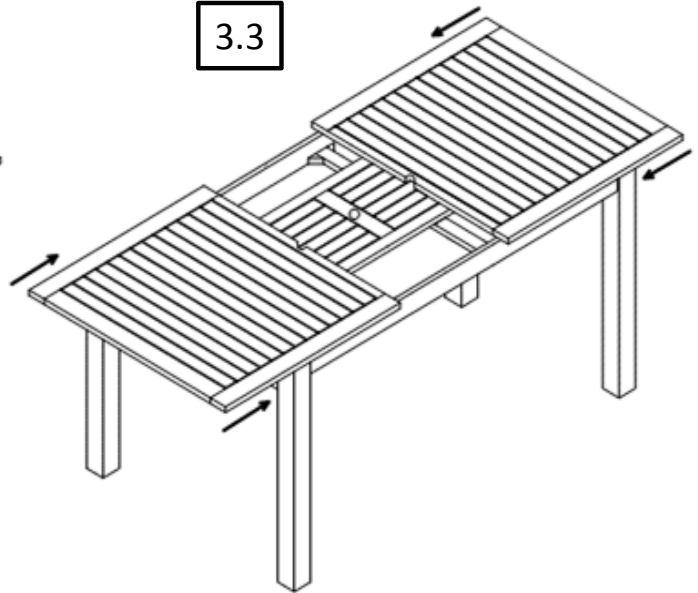
3.1



3.2



3.3



Stand the Table up with assistance from your adult partner.

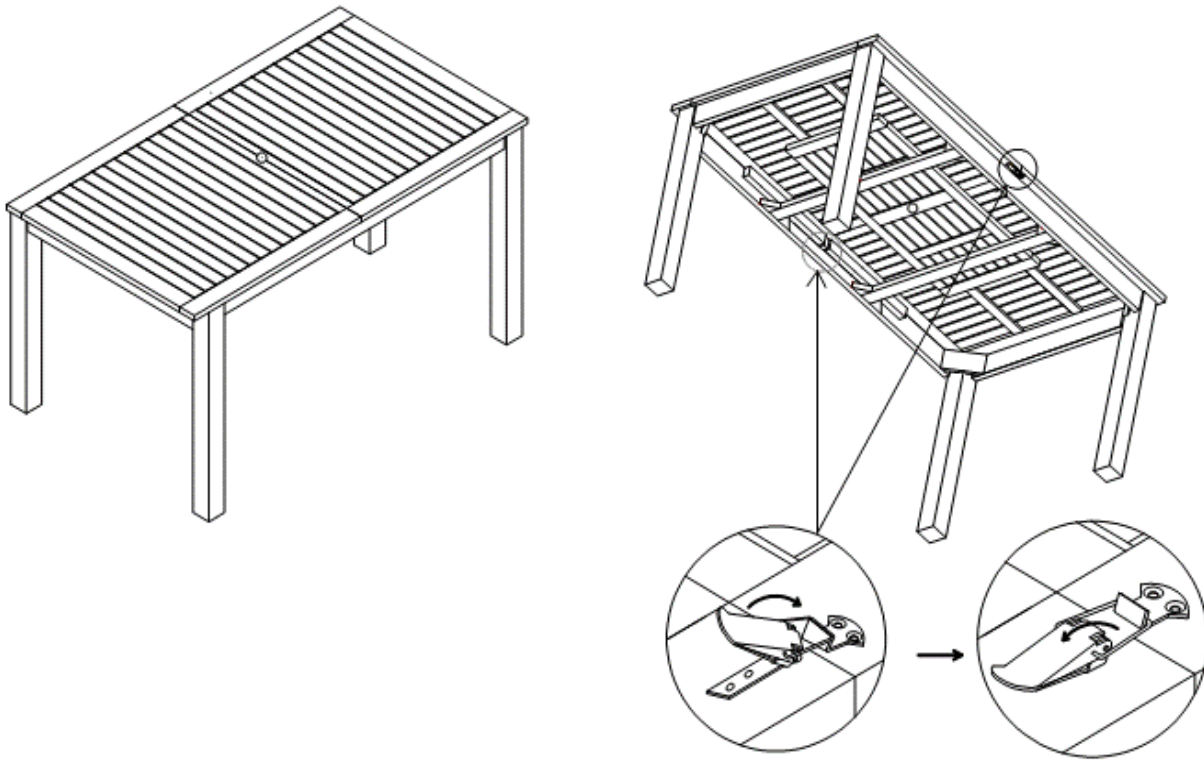
3.1) Gently pull the Table Top(A) outwards as indicated by the arrows above.

3.2) Turn the Expansion Board of Table Top(C) located inside of the Table as shown above.

3.3) Push the Table Top(A) inwards until both wings of the Table Top(A) align.

Caution: Keep hands away from the Table Top(A) and Expansion Board of Table Top(C) when pushing the Table Top to avoid pinching hazards. If you can not push the Table Top(A) inwards, just lightly shake the Table Top(A).

Step 4



Lock the Metal Fasteners under the Table Top(A) into place as shown in the above picture.

Exert pressure floorwards, onto the Table with both your hands.

This pressure will help the Legs and Table Top reach full alignment status.

Check for wobbles on a LEVEL surface.

If no wobbles are found proceed to tighten the Bolts in a sequential manner, until evenly secured.

When tightening the Bolts tighten sequentially.

Do not tighten any Bolt fully and then move on towards the next one.

If there are still wobbles, loosen the Bolts and execute the same above process.

If the Table is not Stable it could lead to damage of the product.

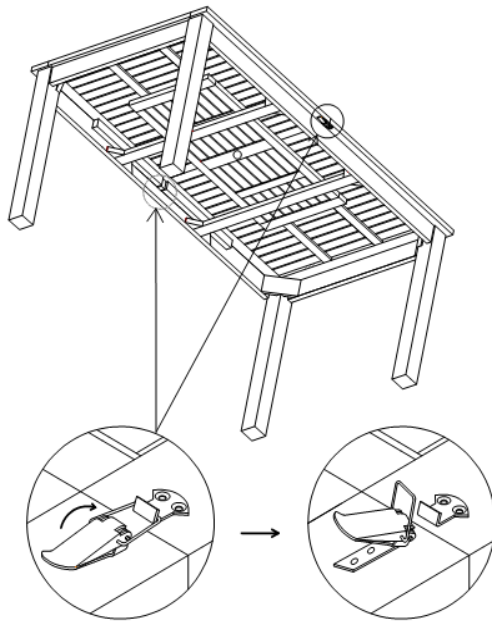
Your Table is ready for use.

This Table can only be used on a flat, level surface.

Extention Steps:

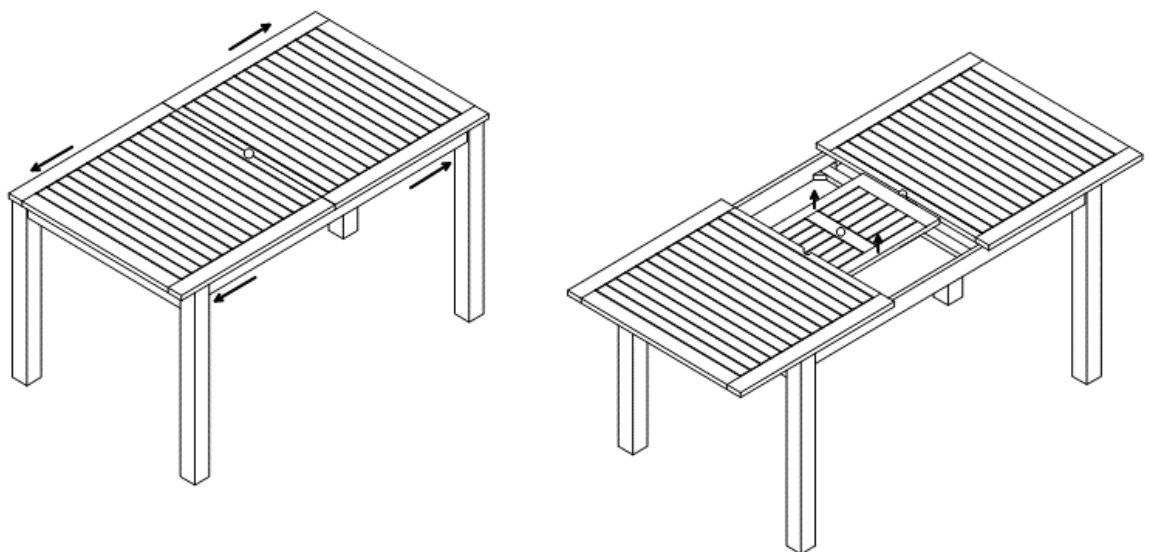
To Extend the Table:

Step 1



Unlock the Metal Fasteners.

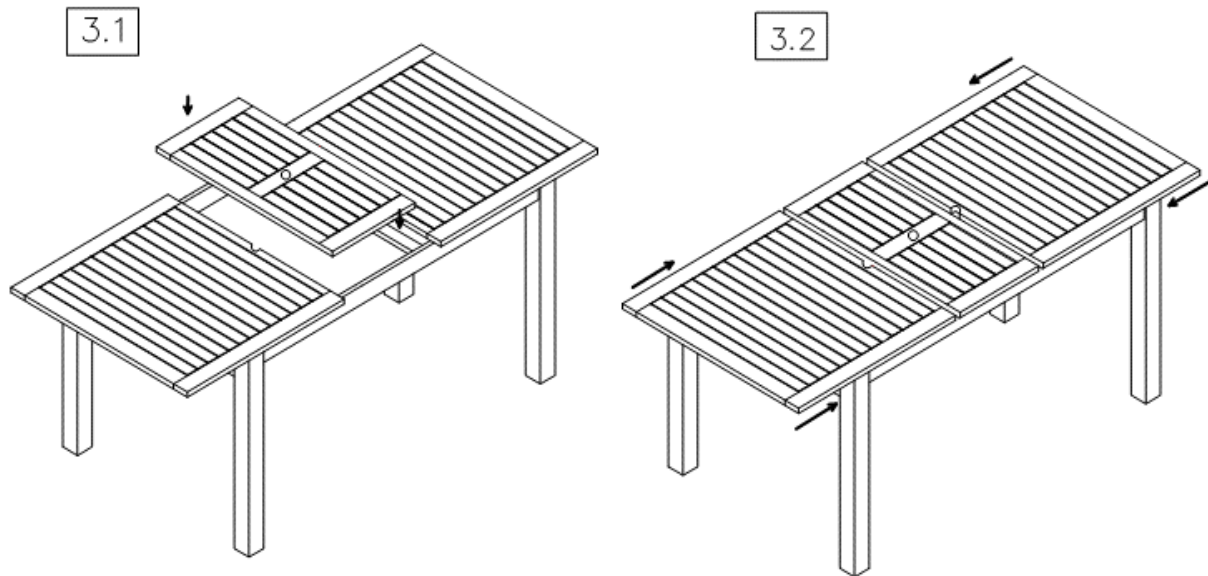
Step 2



With an adult partner, gently pull the Table Top(A) to take out the Expansion Board of Table Top(C) as shown above.

Caution: Do not Lean on or apply pressure to the Table Top when it is pulled open. This could cause damage to the product.

Step 3

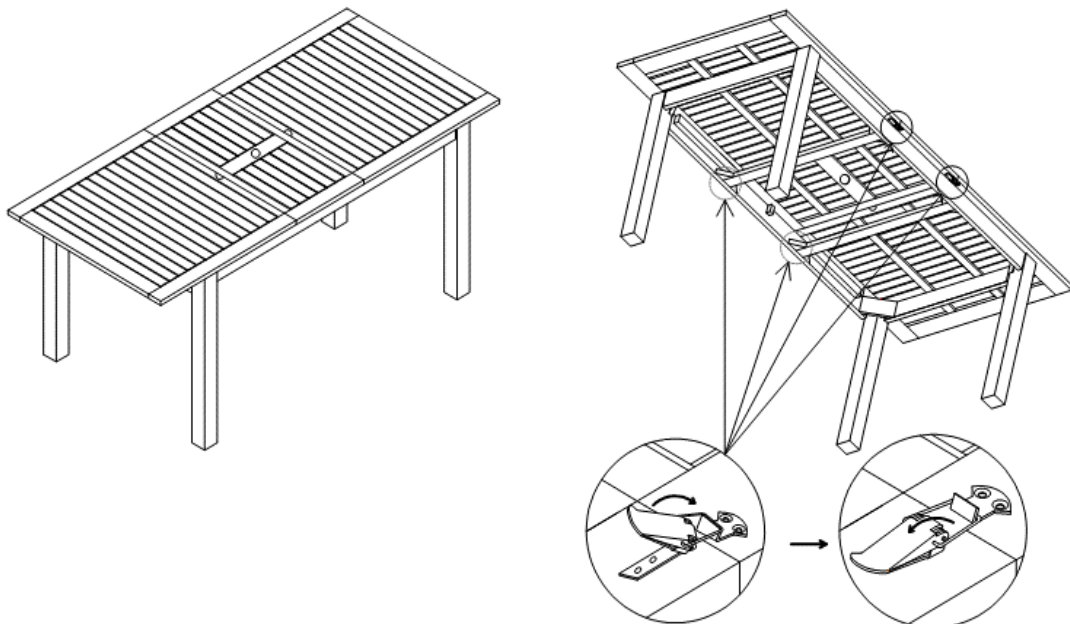


3.1) Insert the Expansion Board of Table Top(C) to the Table as shown above.

3.2) Gently push the Table Top(A) until the Top Table(A) fits into the Expansion Board of Table Top(C).

Caution: Keep hands away from the Table Top(A) and Expansion Board of Table Top(A) when pushing the Table Top to avoid pinching hazards. If you can not push the Table Top(A) inwards, just lightly shake the Table Top(A).

Step 4



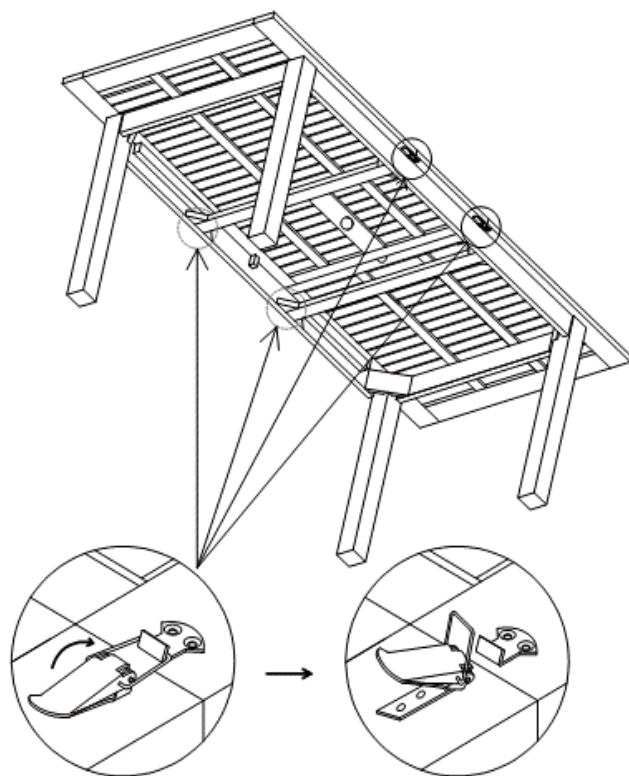
Lock the Metal Fasteners under the Table Top to lock the Expansion Board of Table Top(C) into place as shown in the above picture.

Your Table is extended and is now ready for use.

This Table can only be used on a flat, level surface.

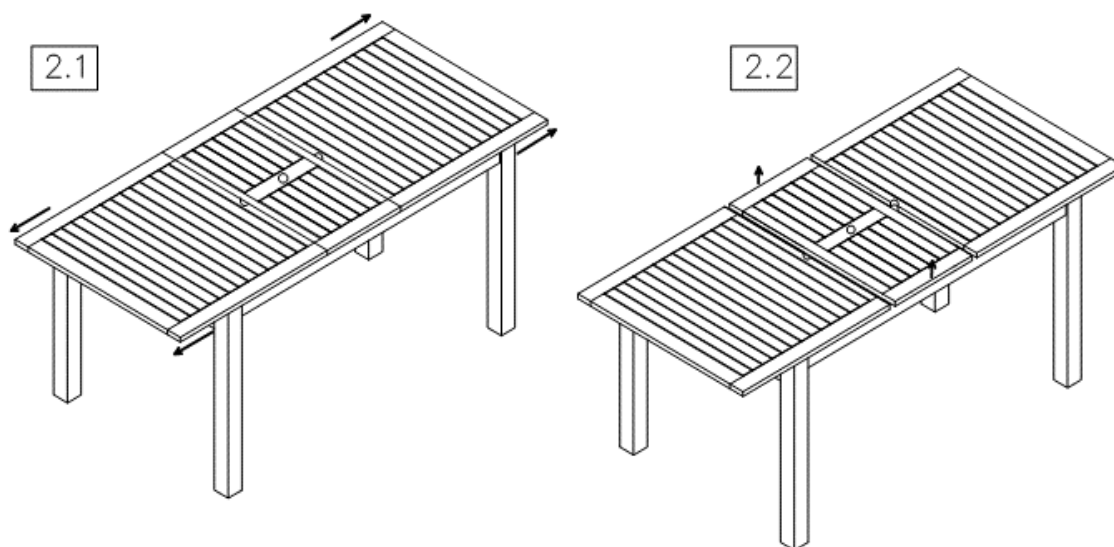
To Retract the Table:

Step 1



Unlock the Metal Fasteners.

Step 2

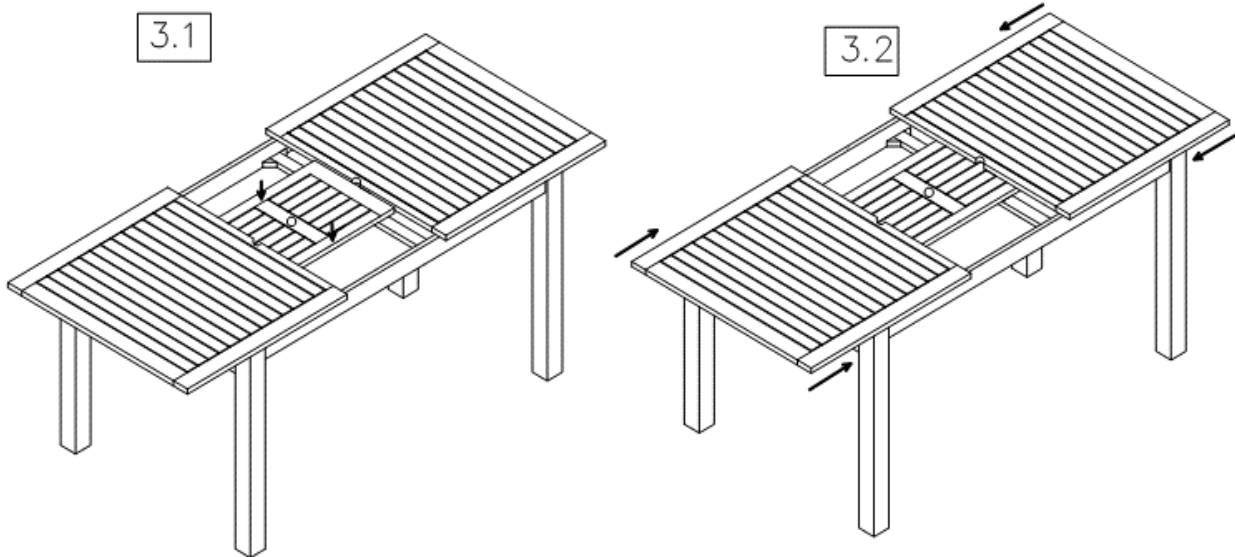


2.1) With assistance from an adult, gently pull the Top Table(A) outwards as indicated by the arrows above.

2.2) Take out the Expansion Board of the Table Top (C) as shown above.

Caution: Do not Lean on or apply pressure to the Table Top when it is pulled open. This could cause damage to the product.

Step 3

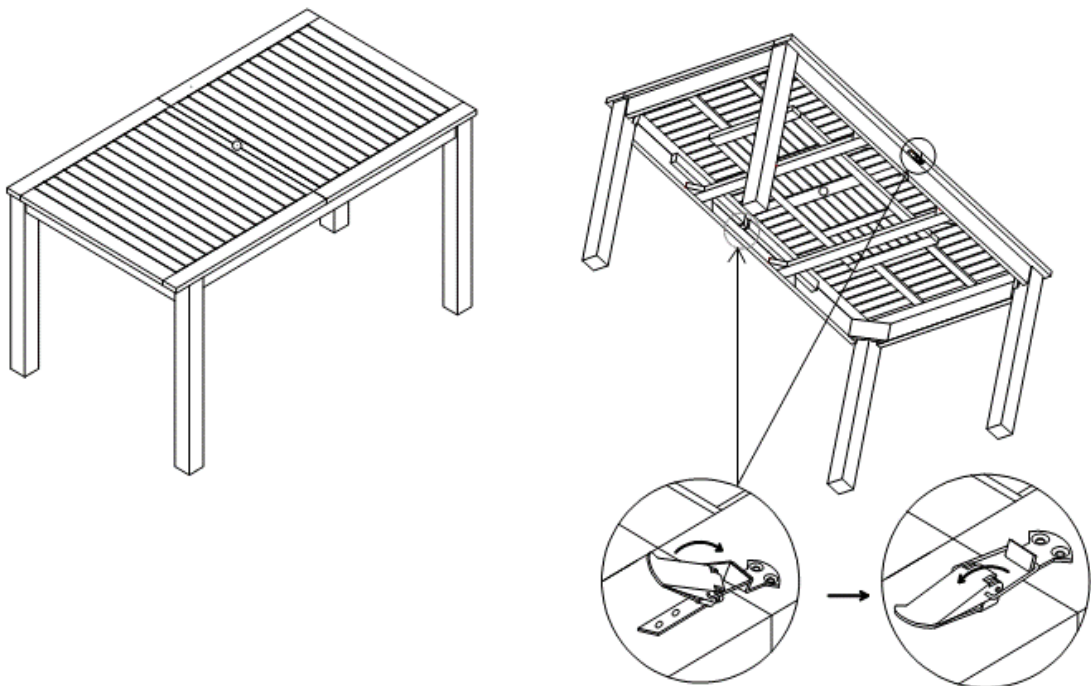


3.1) Turn the Expansion Board of the Table Top(C) located inside of the Table as shown above.

3.2) Push the Table Top(A) inwards until both wings of the Table Top(A) align.

Caution: Keep hands away from the Table Top(A) and Expansion Board of Table Top(A) when pushing the Table Top to avoid pinching hazards. If you can not push the Table Top(A) inwards, just lightly shake the Table Top(A).










Step 4



Lock the Metal Fasteners under the Table Top(A) into place as shown in the above picture. Your Table is retracted and is now ready for use.

This Table can only be used on a flat, level surface.

Care & Maintenance

-  Do not put hot items directly on furniture surface
 -  Do not clean furniture with harsh cleansers or polish.
 -  To obtain the longest lifespan of your outdoor products, minimizing exposure to direct sunlight is recommended.
 -  Children should not climb or jump on the furniture.
 -  Do not write on furniture without a padded barrier to protect the
 -  To obtain the longest lifespan of your outdoor products, avoid extended and lengthy exposure to rain, snow, and direct sunshine. Whenever possible cover the product and /or place under patio or awnings.
 -  Not for commercial use. For residential use only .
 -  Stains may be removed with mild soap solution and damp cloth.
-
-  Dust and pick-up spills using a clean, non-colored, lint-free cloth .