

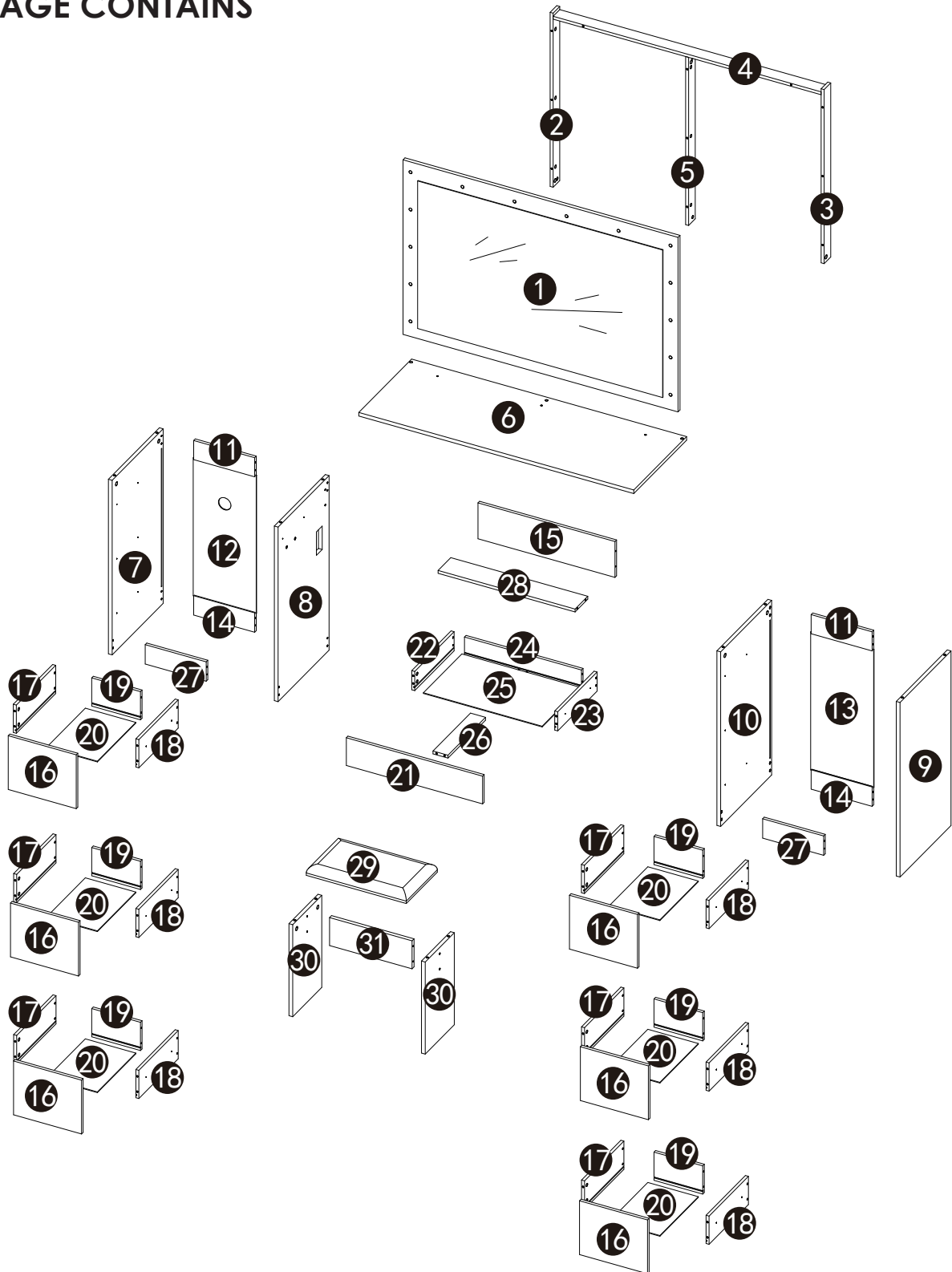
LARGE MAKEUP VANITY WITH LIGHTS

User Manual

INTRODUCTION

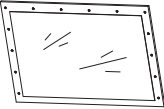


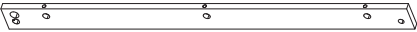

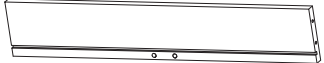





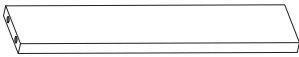
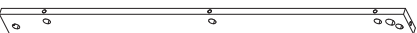
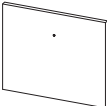
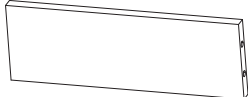
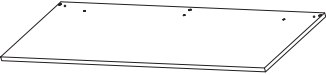
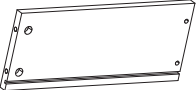

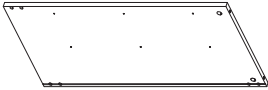


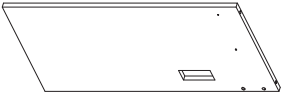
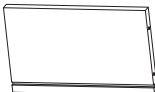



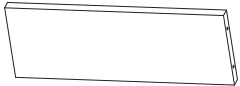
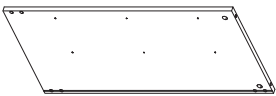
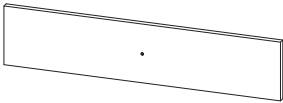
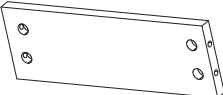

Thank you very much for choosing our Large Makeup Vanity with Lights. Please read this manual before using the product as it may contains some information you don't know. If you have any questions, please feel free to send us email.

PACKAGE CONTAINS




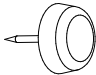
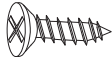
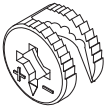
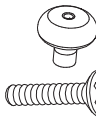
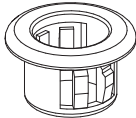

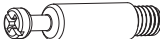


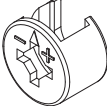
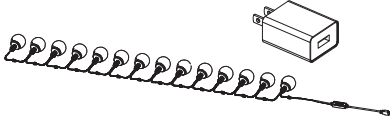






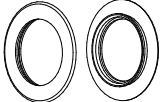
PARTS LIST

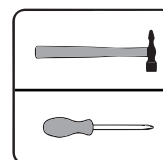
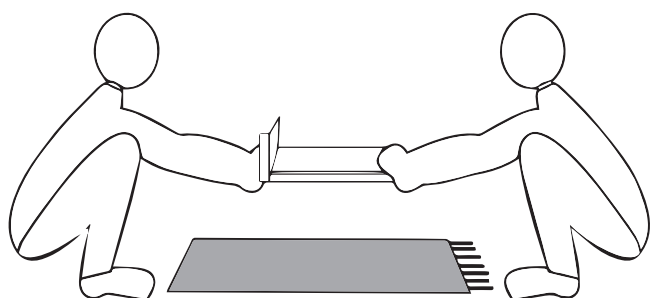
Unit: (mm)

1 → A Box x1 PC 	12 → B Box x1 PC 	23 → B Box x1 PC 
2 → A Box x1 PC 	13 → B Box x1 PC 	24 → B Box x1 PC 
3 → A Box x1 PC 	14 → A Box x2 PC 	25 → A Box x1 PC 
4 → A Box x1 PC 	15 → B Box x1 PC 	26 → A Box x1 PC 
5 → A Box x1 PC 	16 → (A Box-x4 pc)(B Box-x2 pc) 	27 → A Box x2 PC 
6 → A Box x1 PC 	17 → A Box x6 PC 	28 → A Box x1 PC 
7 → B Box x1 PC 	18 → (A Box-x2 pc)(B Box-x4 pc) 	29 → B Box x1 PC 
8 → B Box x1 PC 	19 → A Box x6 PC 	30 → A Box x2 PC 
9 → A Box x1 PC 	20 → B Box x6 PC 	31 → A Box x1 PC 
10 → A Box x1 PC 	21 → A Box x1 PC 	
11 → A Box x2 PC 	22 → A Box x1 PC 	

ACCESSORIES LIST

Unit: (mm)

A	6x40	x12 PC	G	5xΦ12	x12 PC	N	M3.5x12	x28 PC
								
B	15x11	x12 PC	H	M4x16	x7 PC	O	Φ13	x2 PC
					x7 PC			
C	12inches	x14 PC	J	6x25	x49 PC	P	M3x14	x12 PC
								x12 PC
D	6x40	x4 PC	K	12x10	x49 PC	Q	LED	x1 PC
								
E	M3.5x14	x31 PC	L	21mm	x56 PC	R	Wire clip	x1 PC
								
F	M5x40/#3	x63 PC	M	The socket	x1 PC	S	3mm	x1 PC
	 	x63 PC x1 PC						



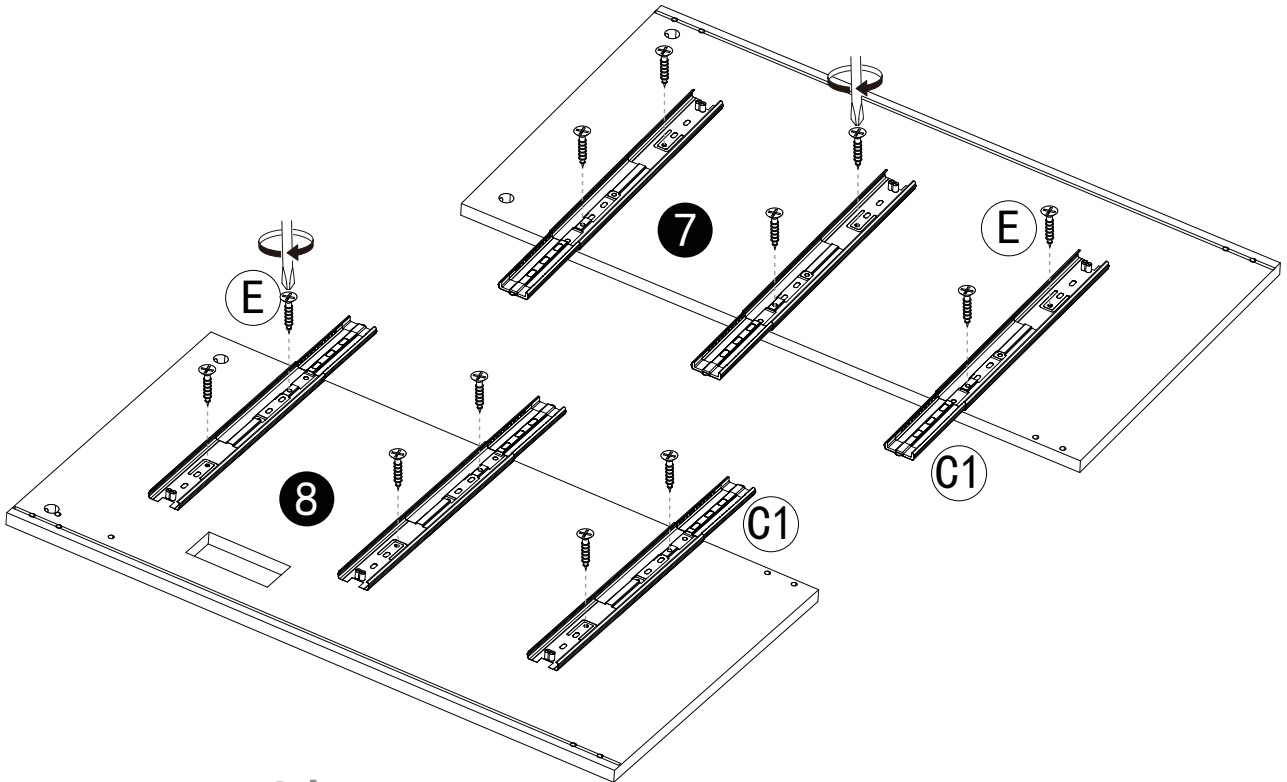
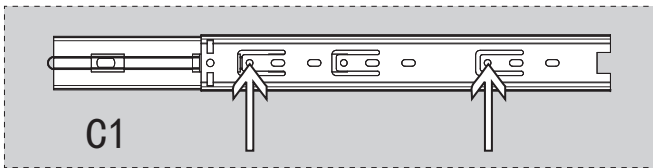
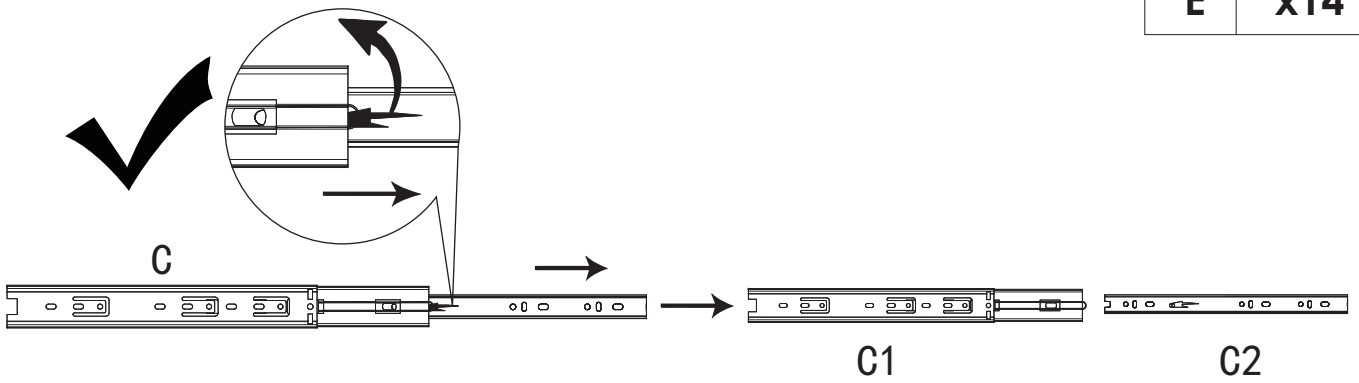
TIPS

1. When installing the product, use a soft surface (such as carpet or cardboard) to avoid scratching or damaging the surface of the product.
2. Do not use any glue.
3. The product is unstable before it is assembled. Please pay attention to the product installation sequence, and align all screws and screw holes before tightening.
4. The structure of this product can not meet the requirements of children climbing.

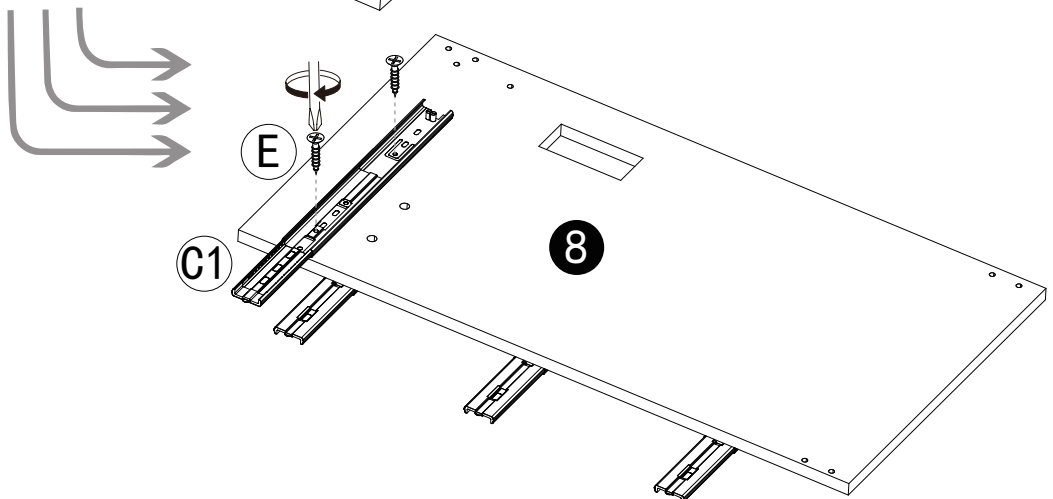
INSTALLATION INSTRUCTION

STEP 1

C1	x7
E	x14



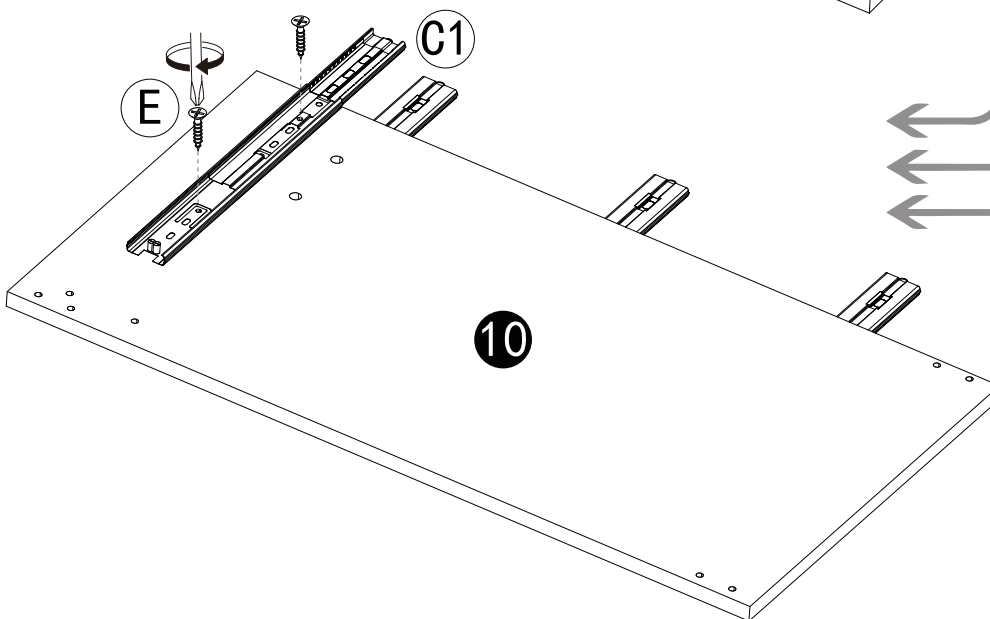
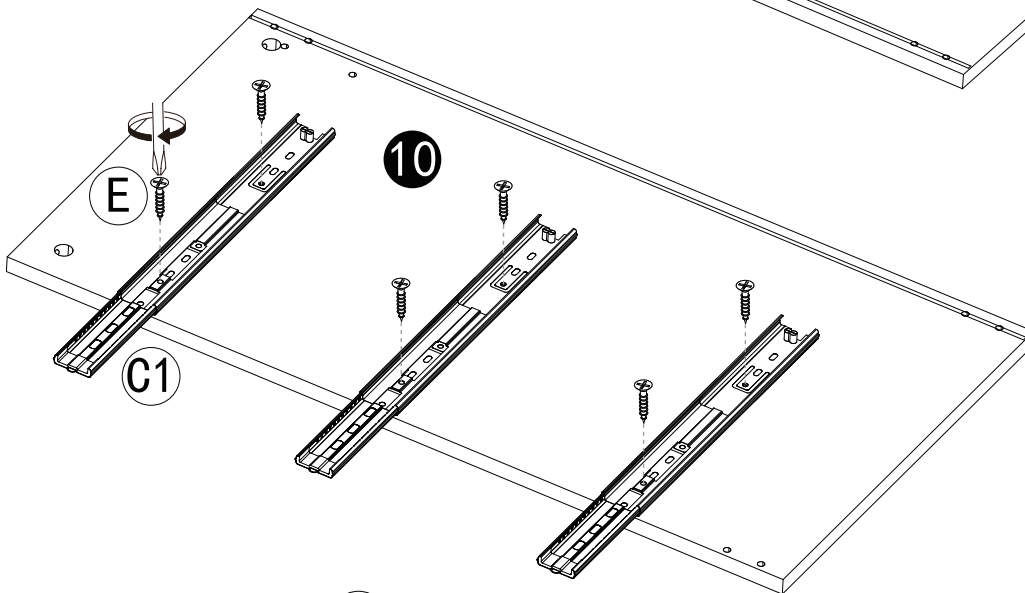
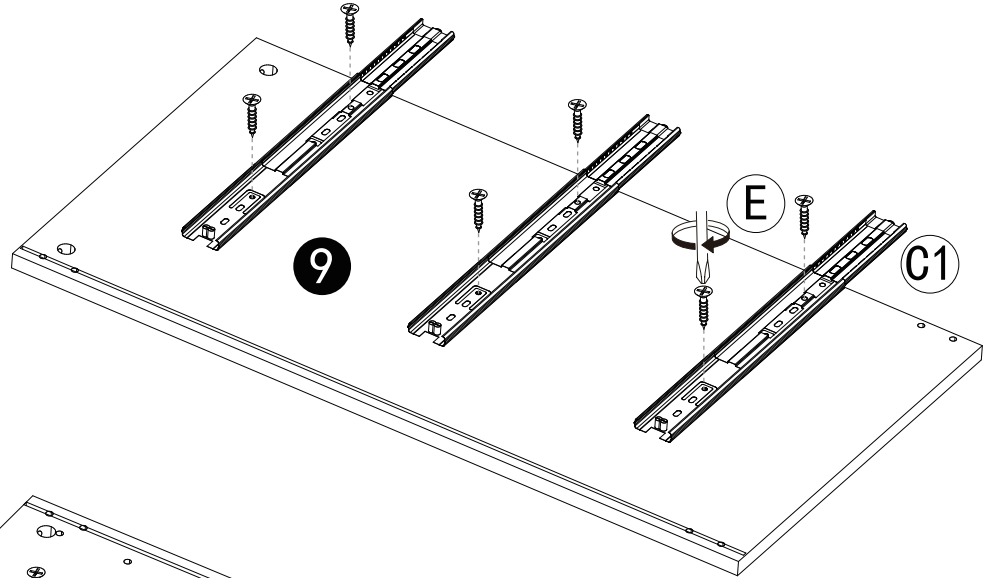
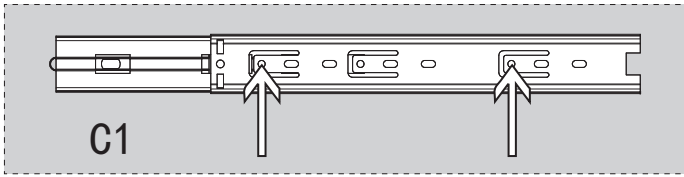
turn over



STEP 2

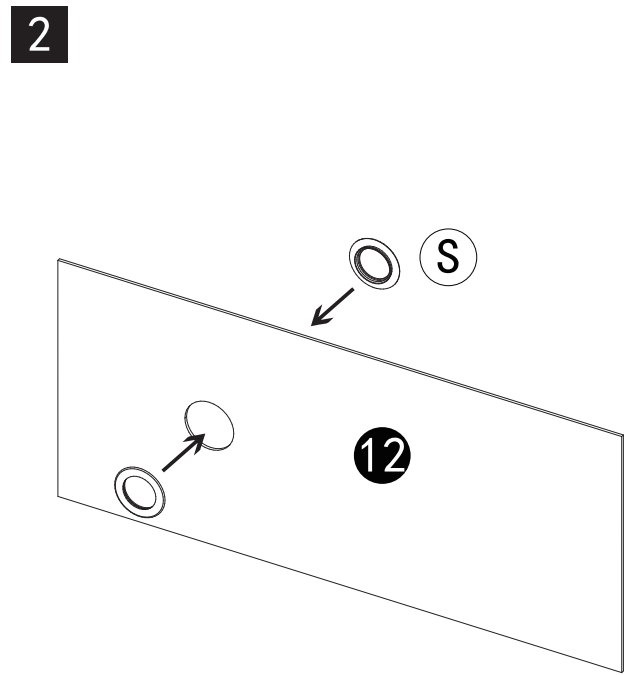
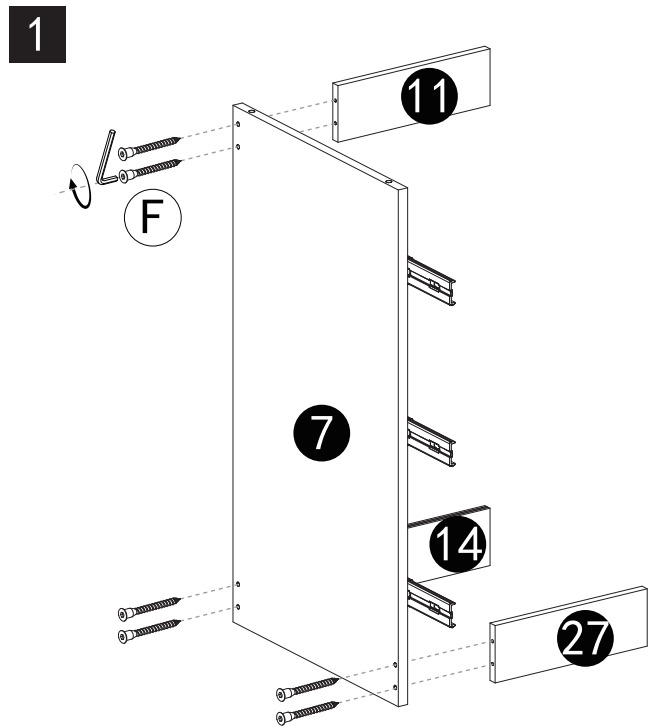
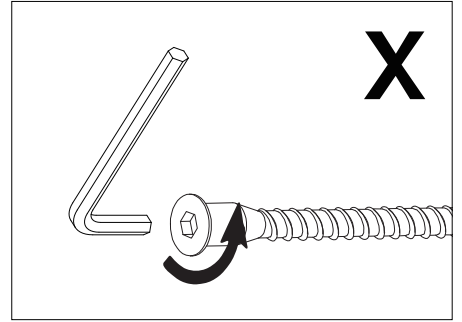
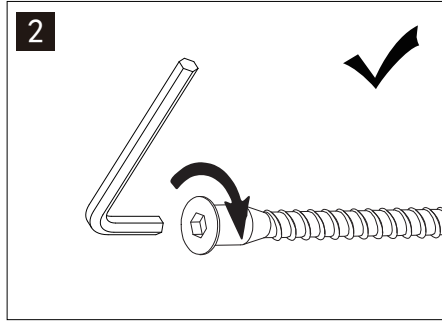
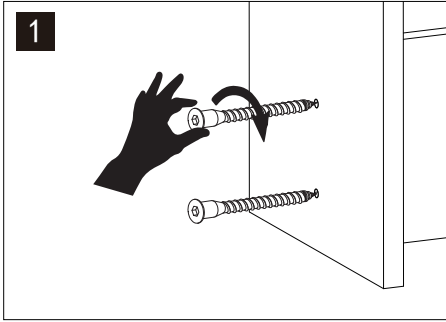
C1 x7

E x14



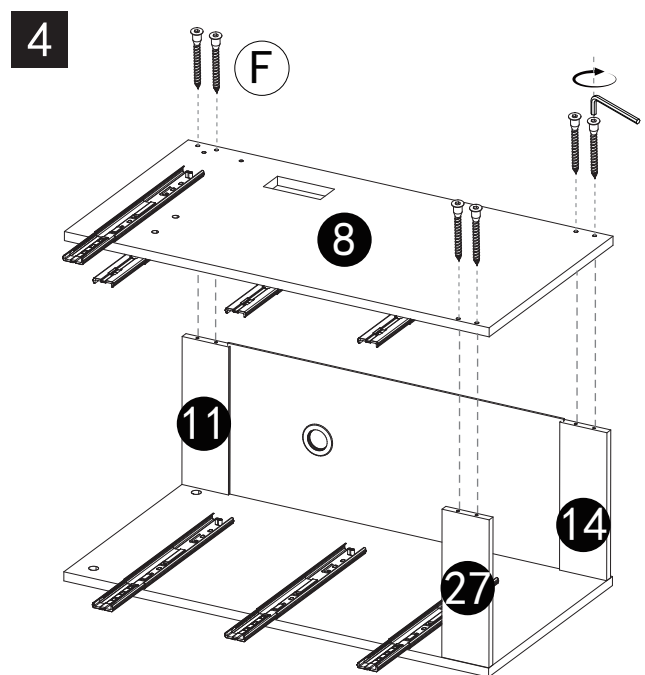
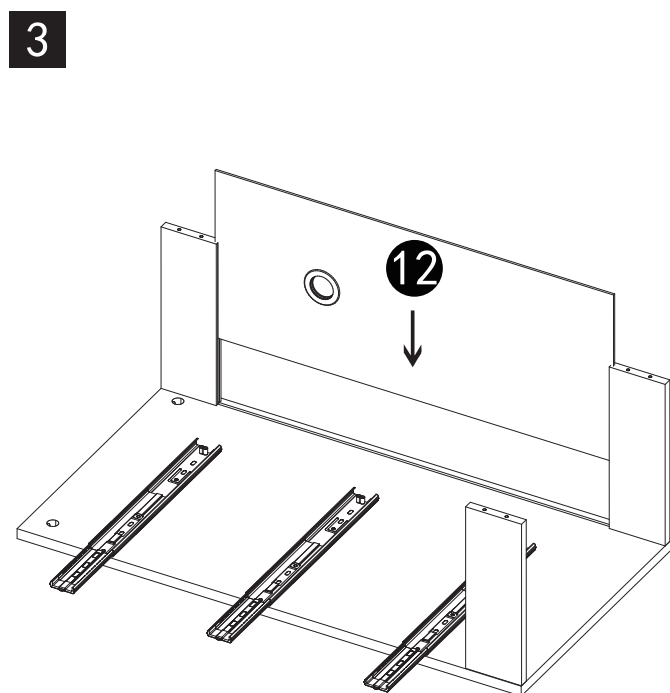
turn over

STEP 3



F x6

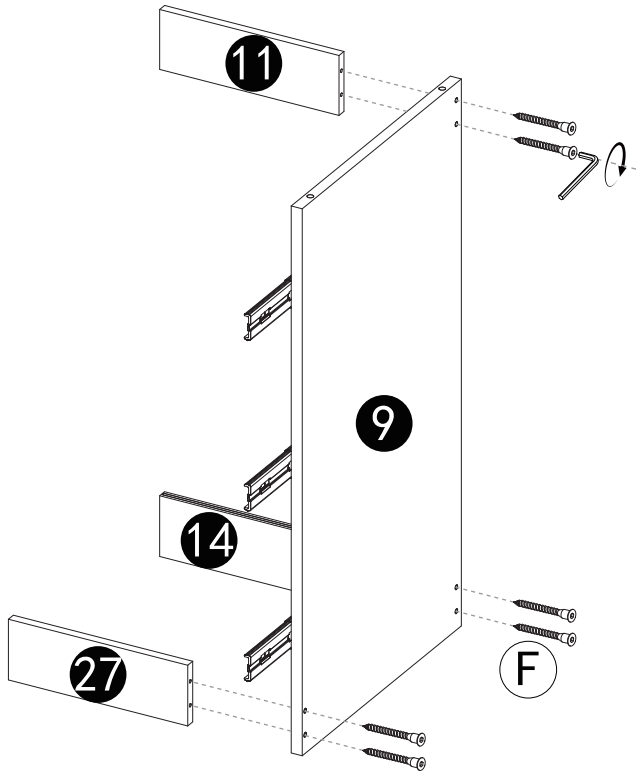
S x1



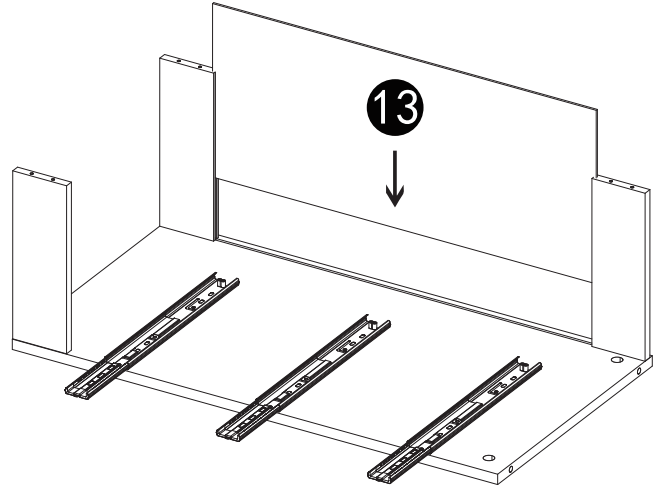
F x6

STEP 4

1

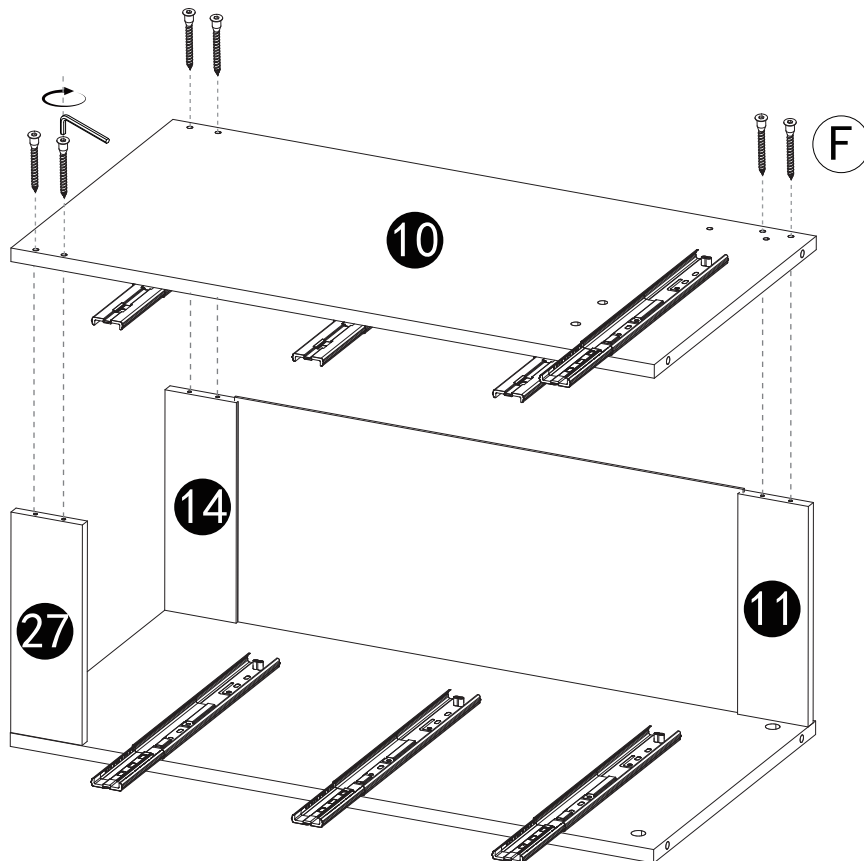


2



F x6

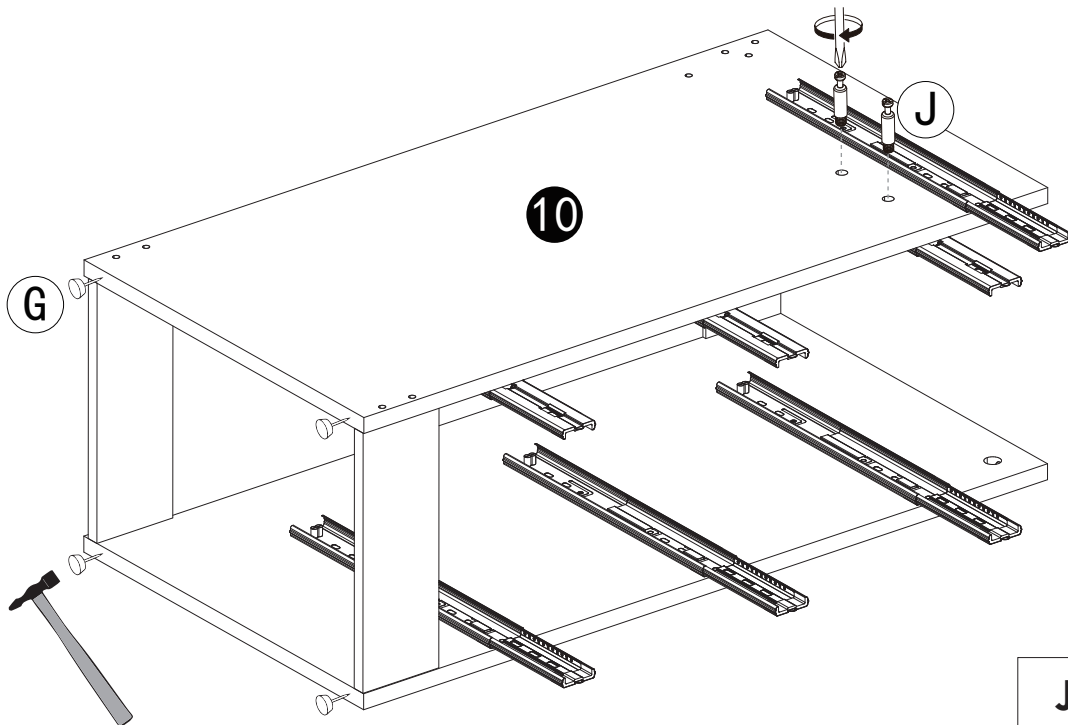
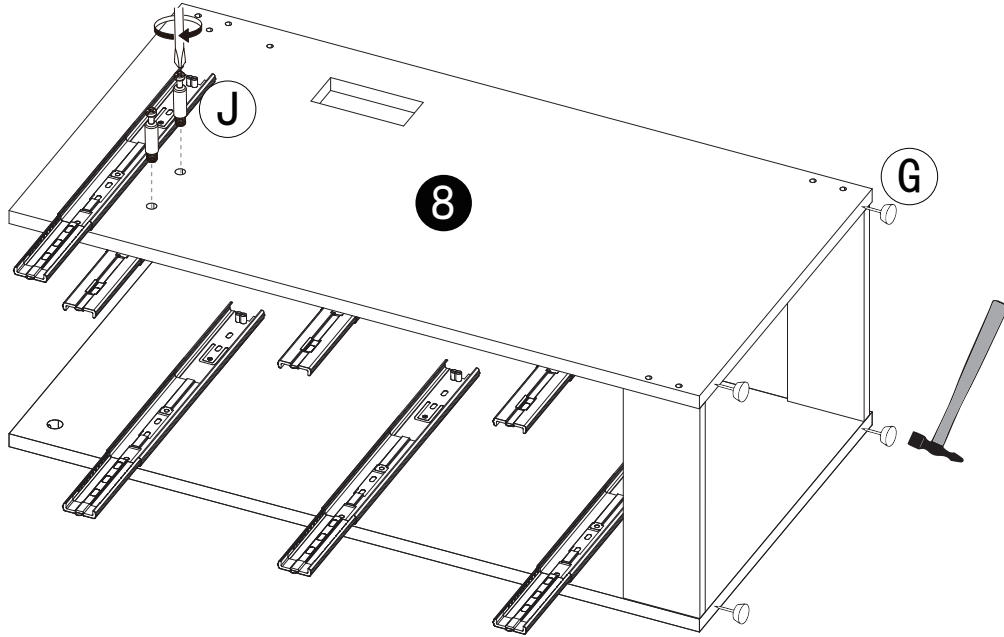
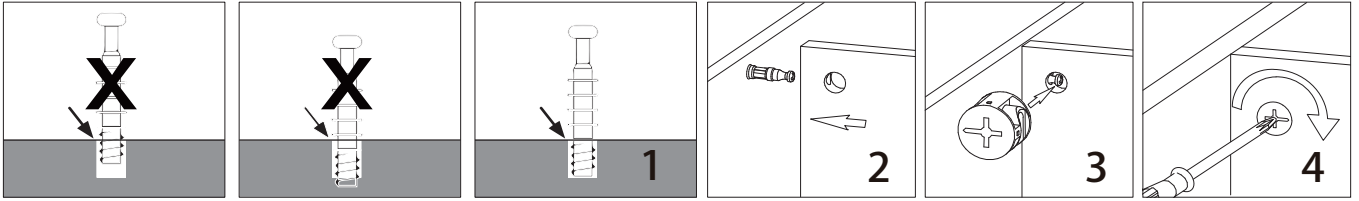
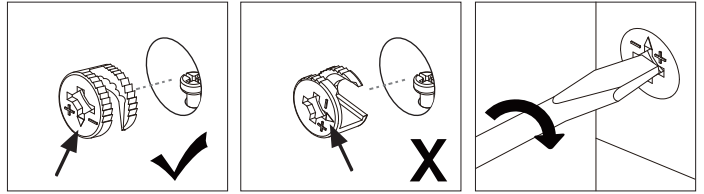
3



F x6

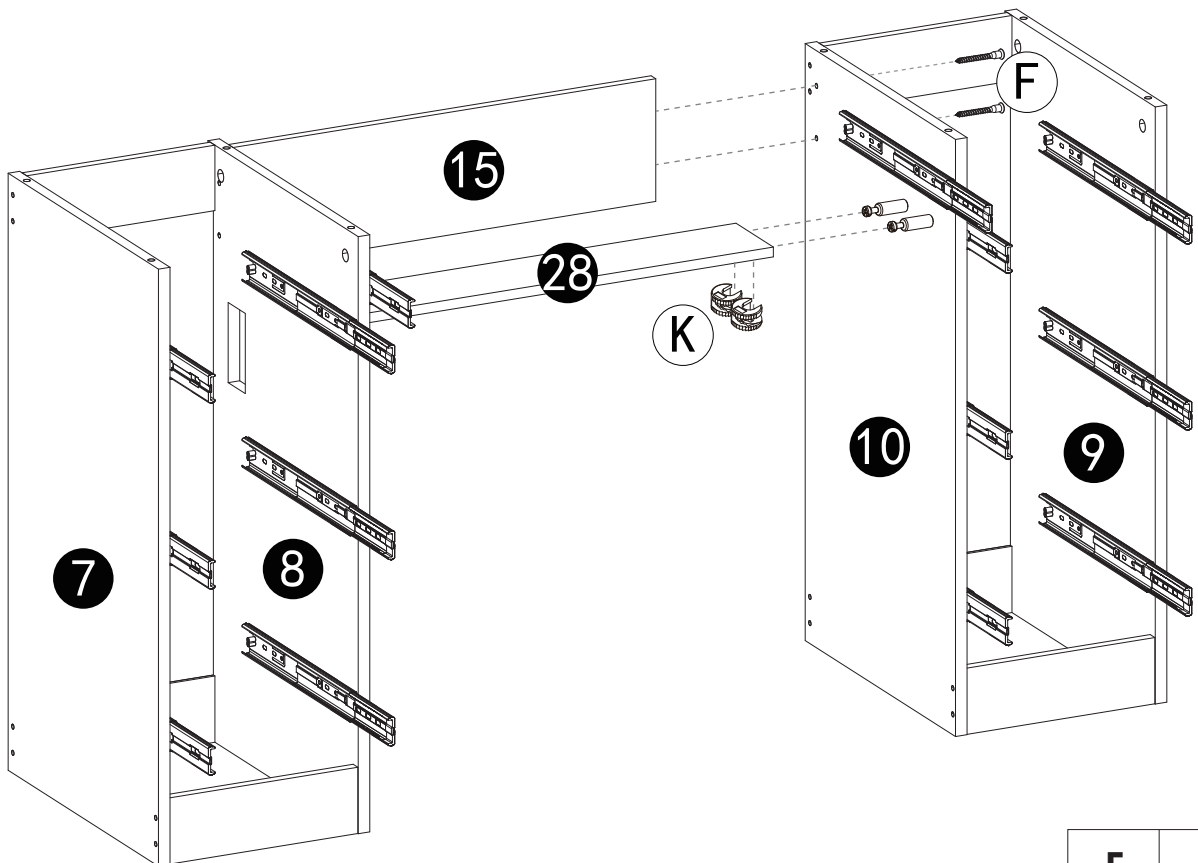
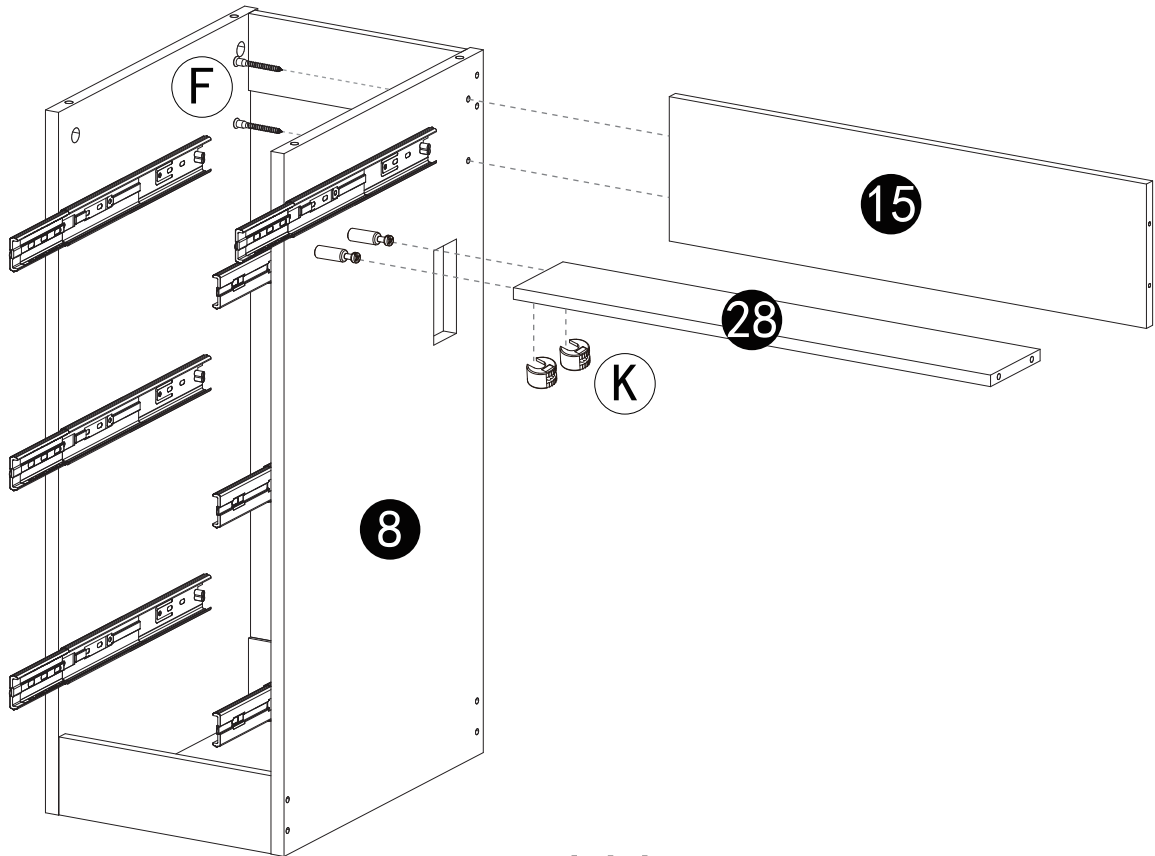
STEP 5

Installation method of three in one rod and buckle



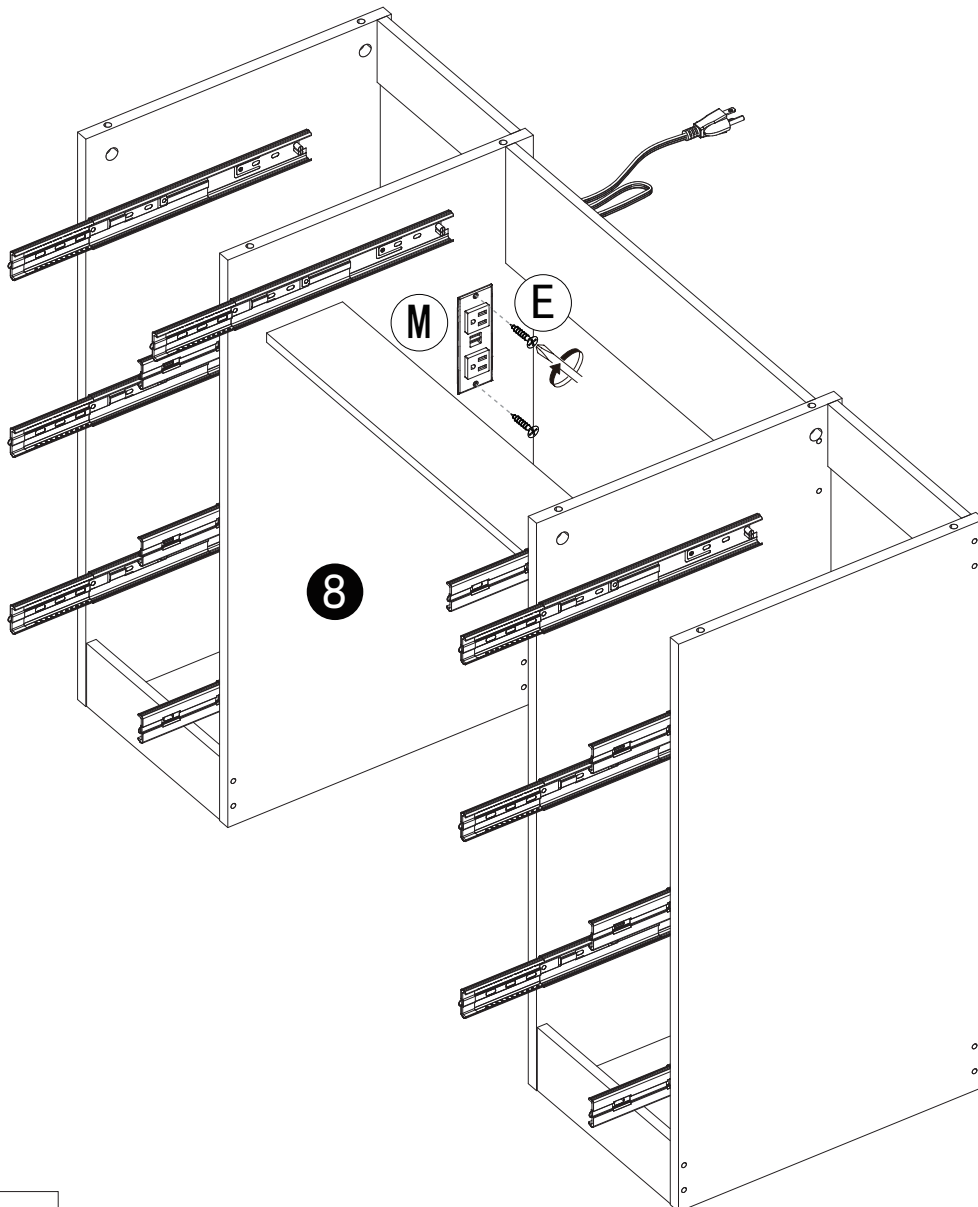
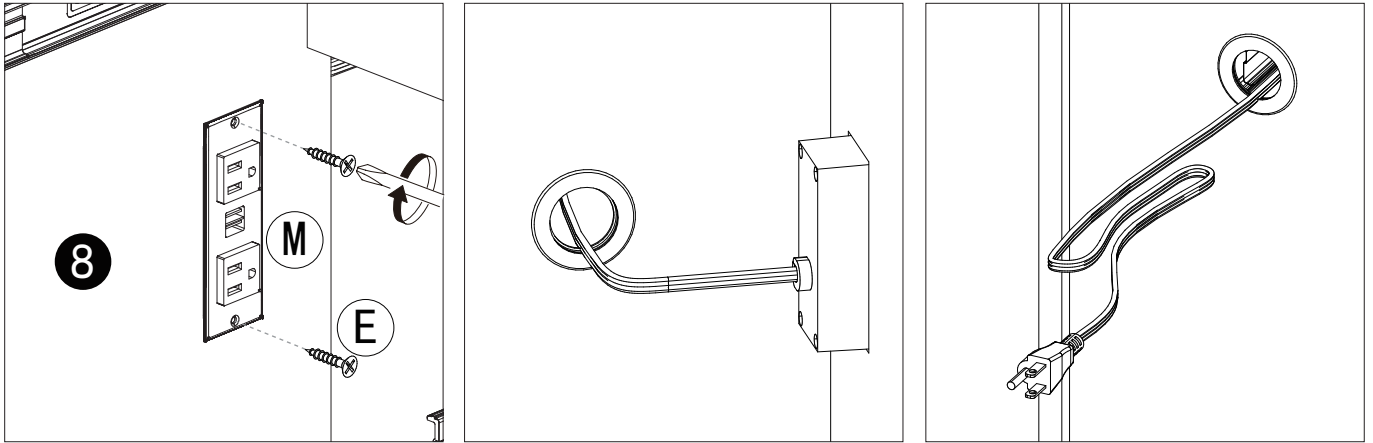
J	x4
G	x8

STEP 6



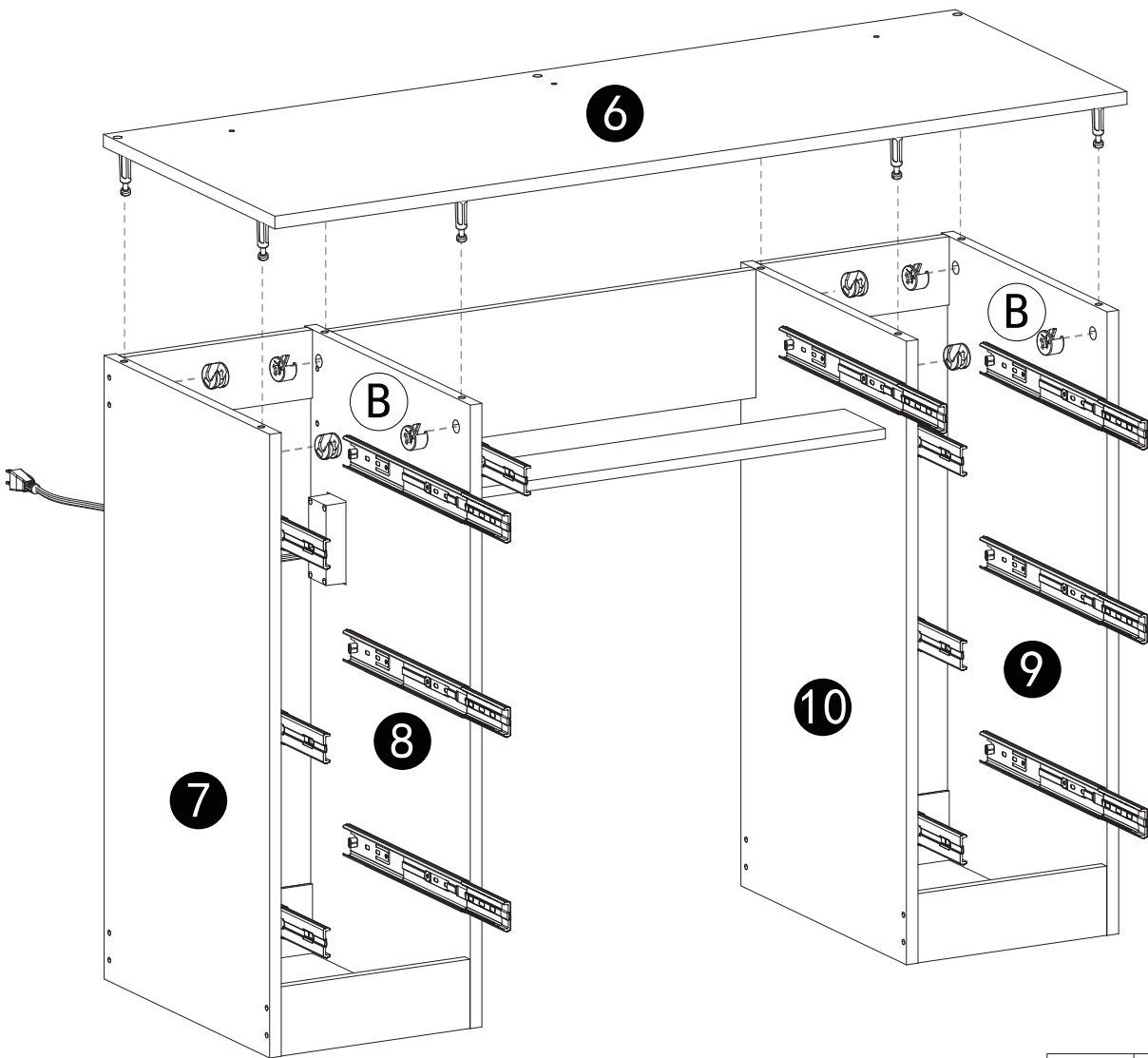
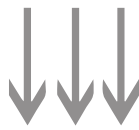
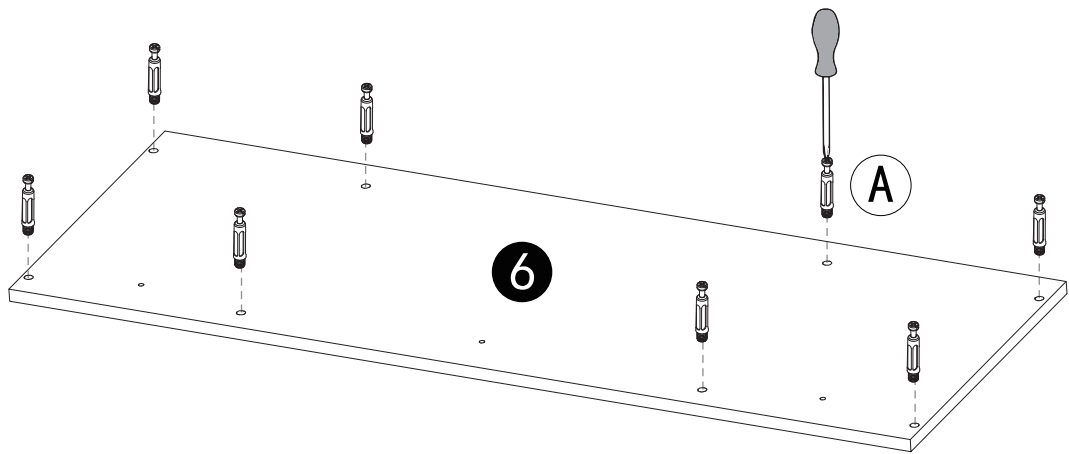
F	x4
K	x4

STEP 7



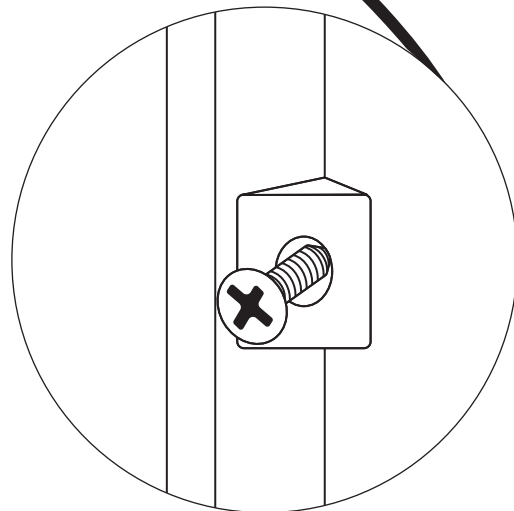
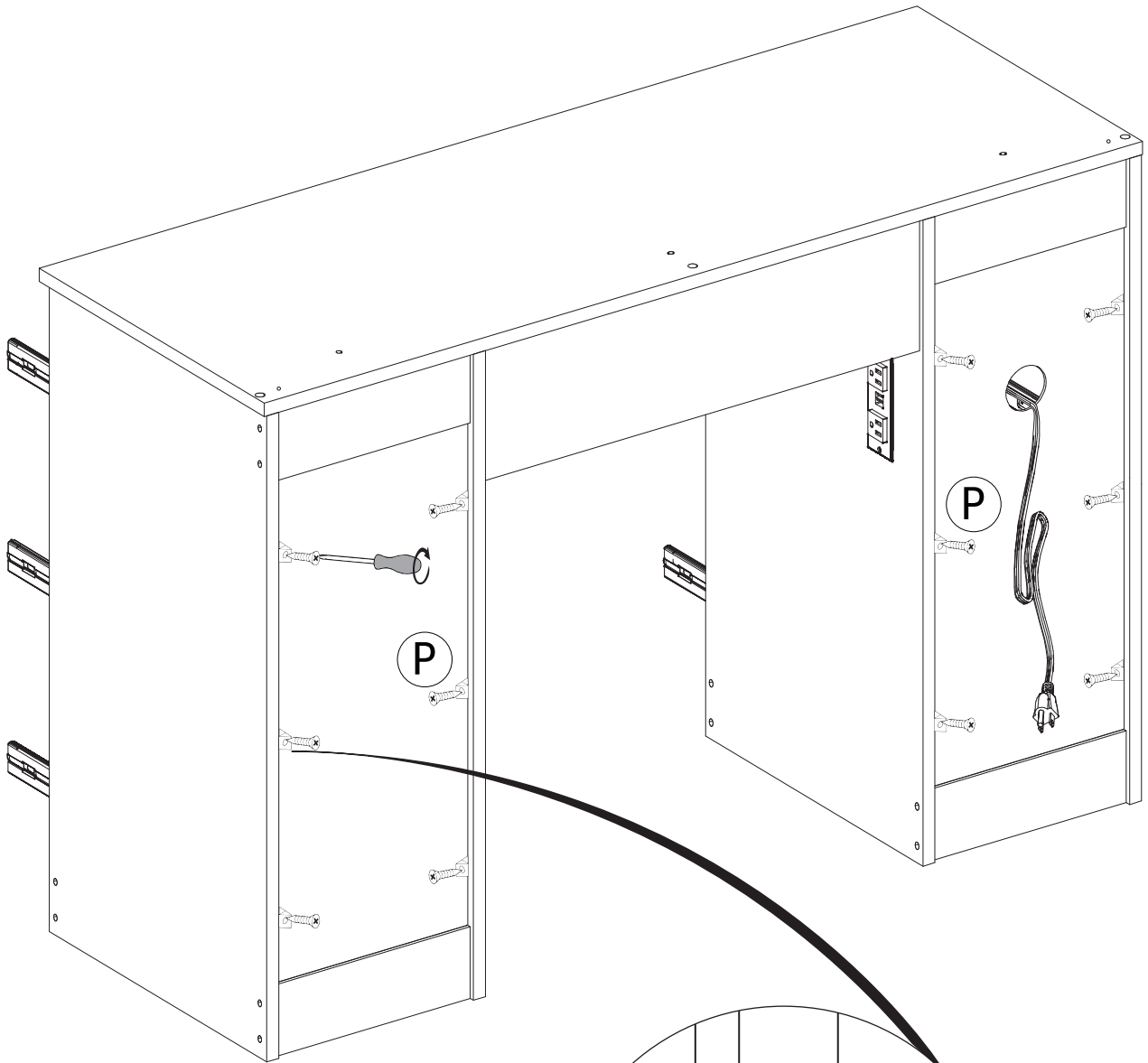
E	x2
M	x1

STEP 8



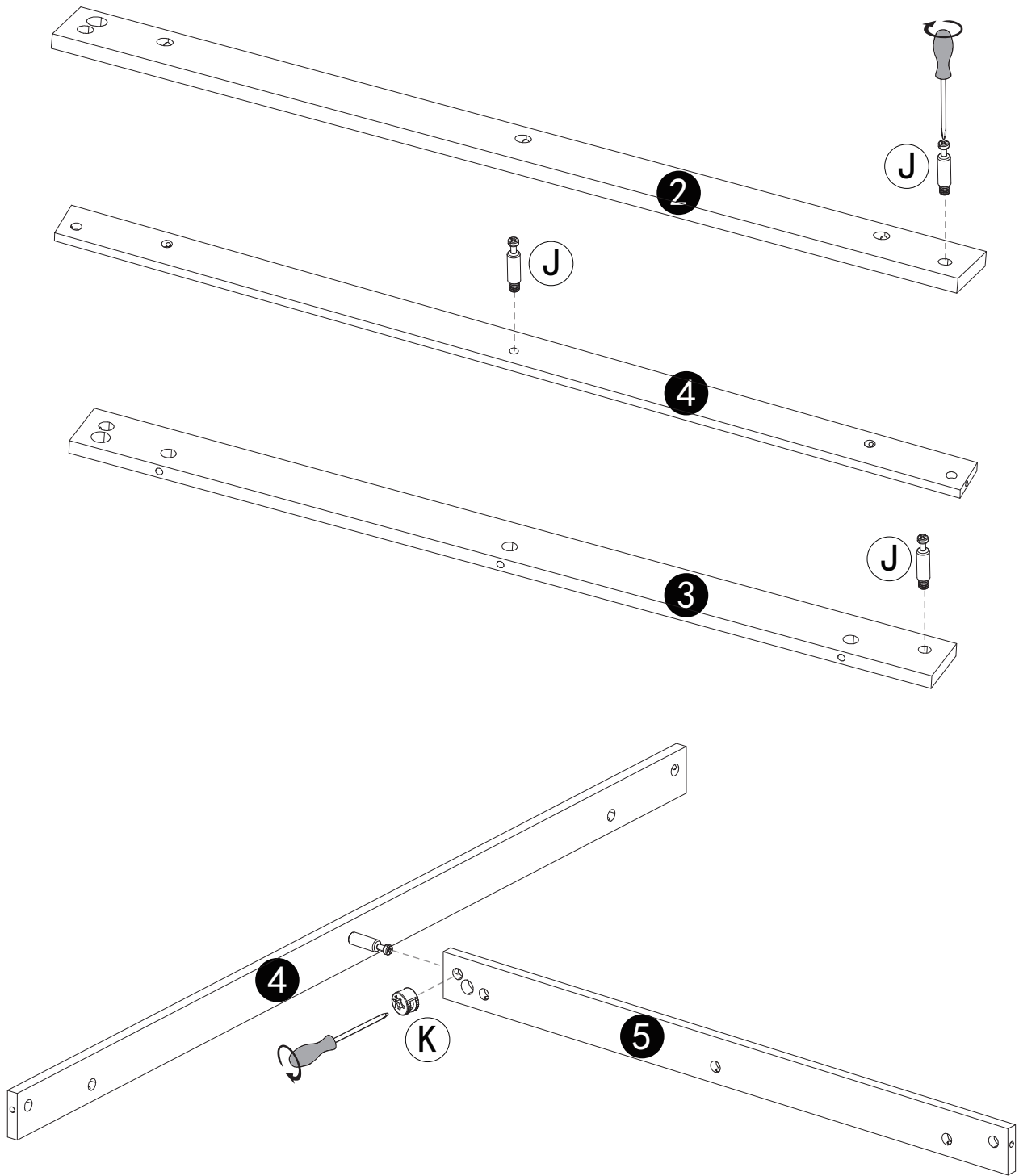
A	x8
B	x8

STEP 9



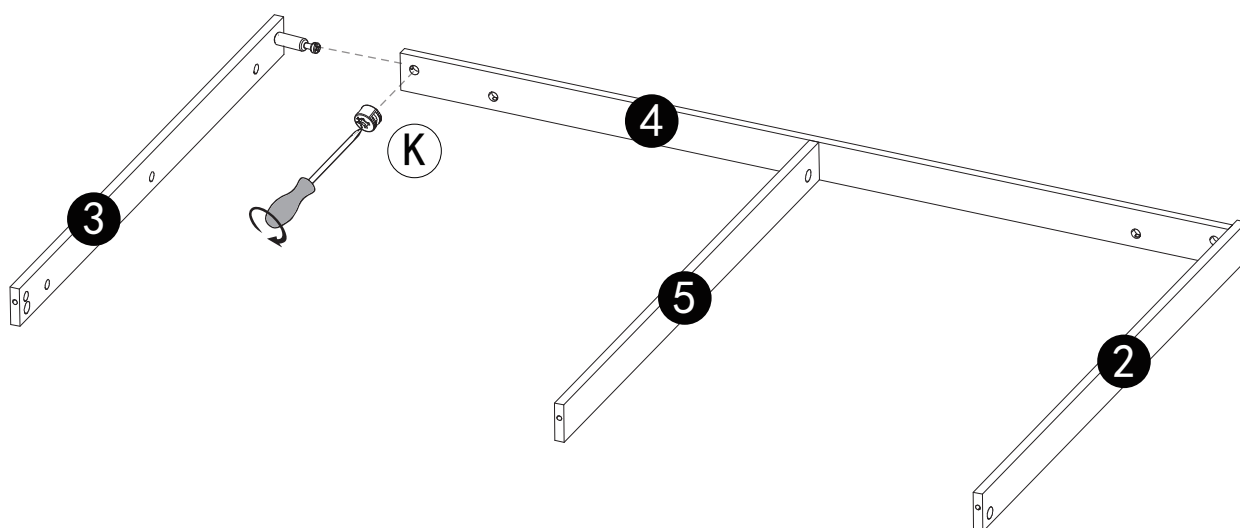
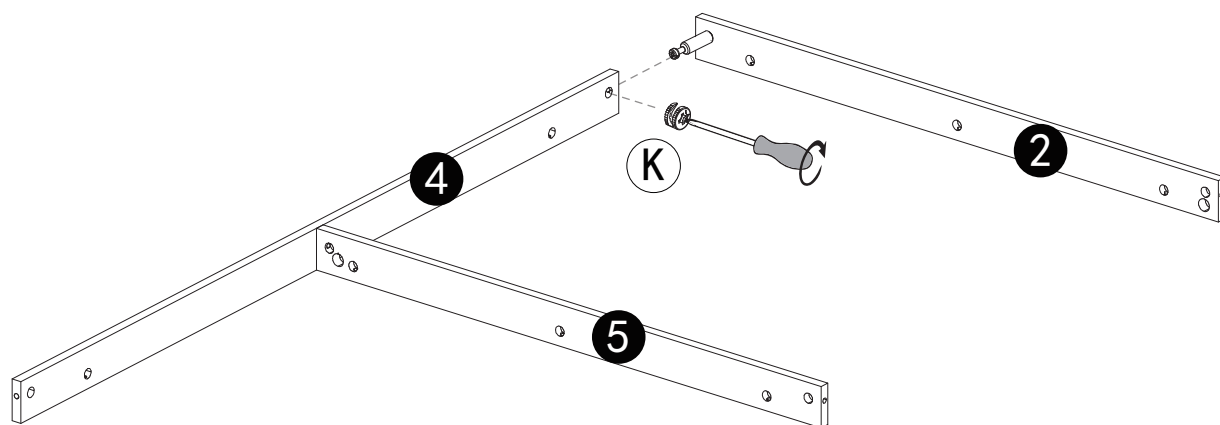
P	x12
----------	------------

STEP 10



J	x3
K	x1

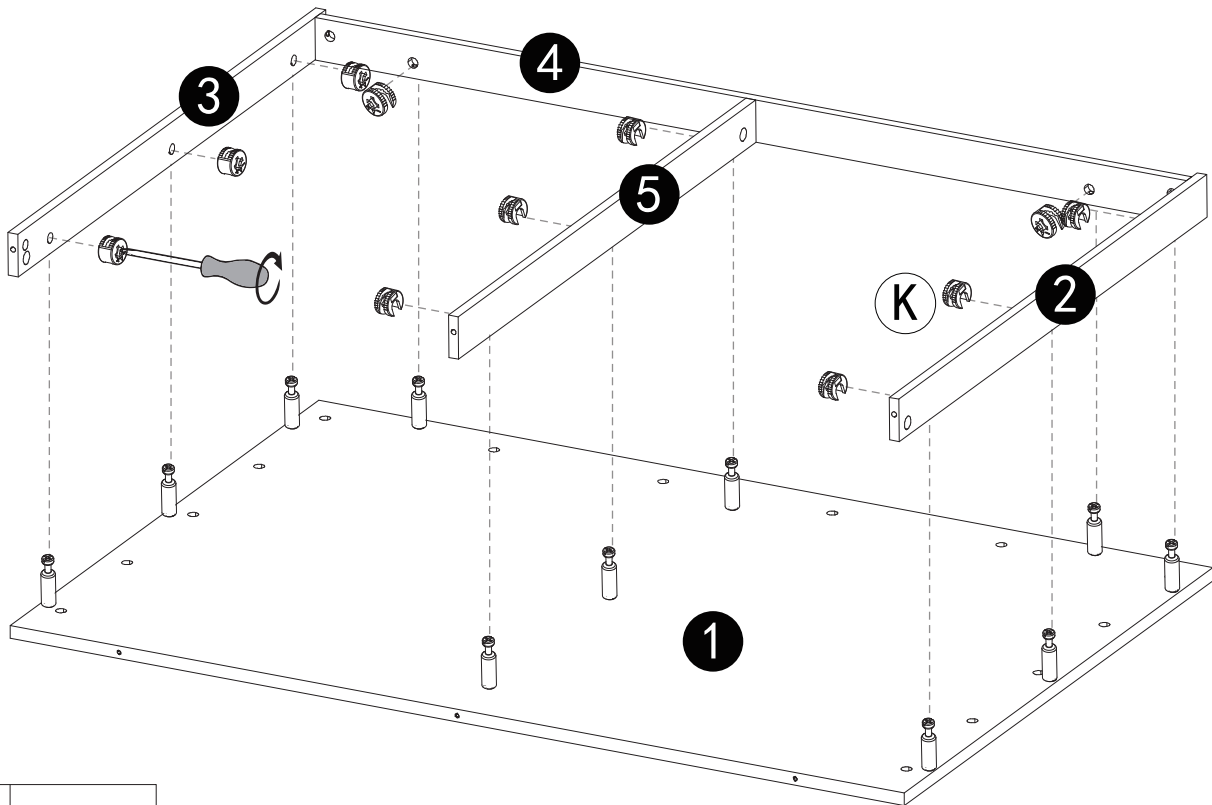
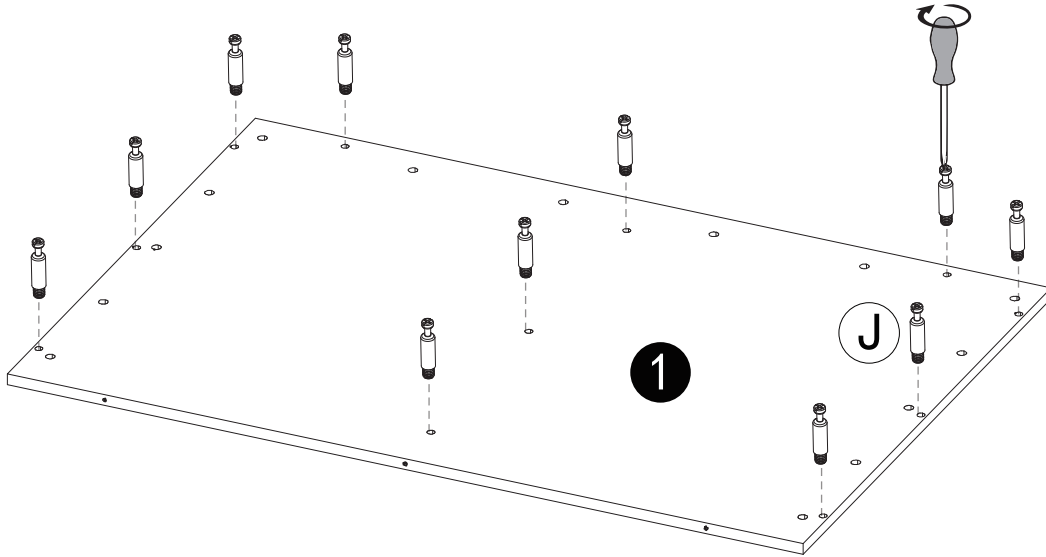
STEP 11



K	x2
----------	-----------

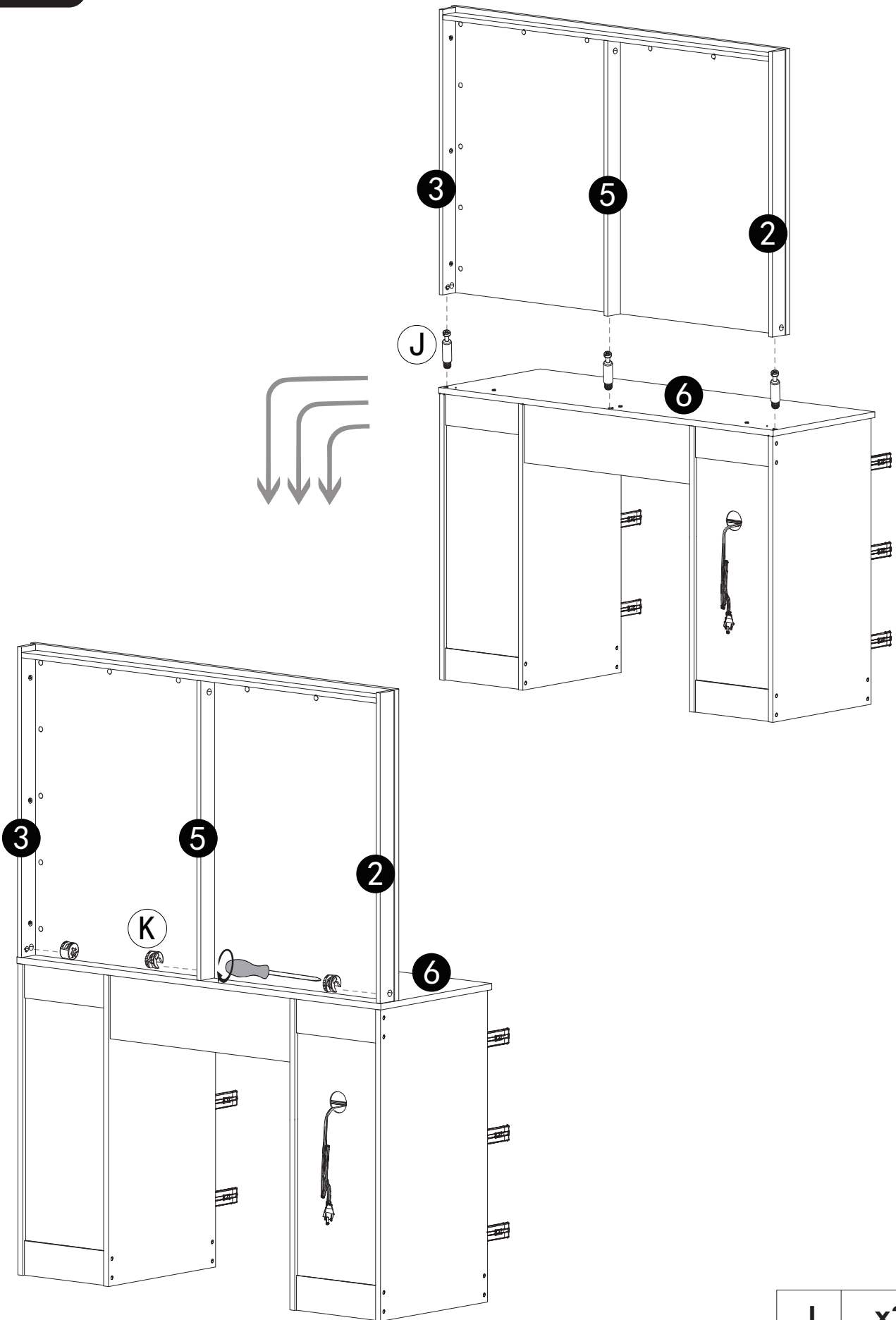
STEP 12

Please place the mirror on a soft mat to avoid scratches.



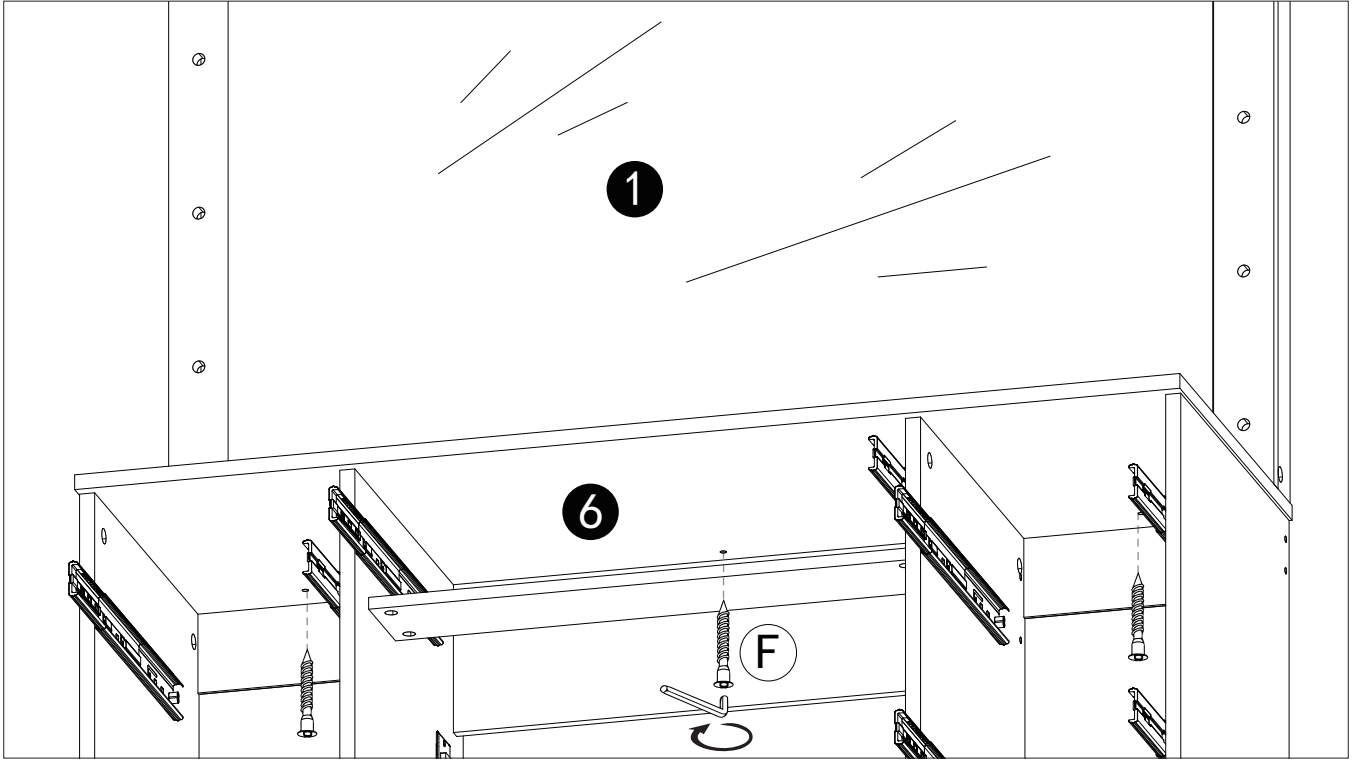
J	x11
K	x11

STEP 13

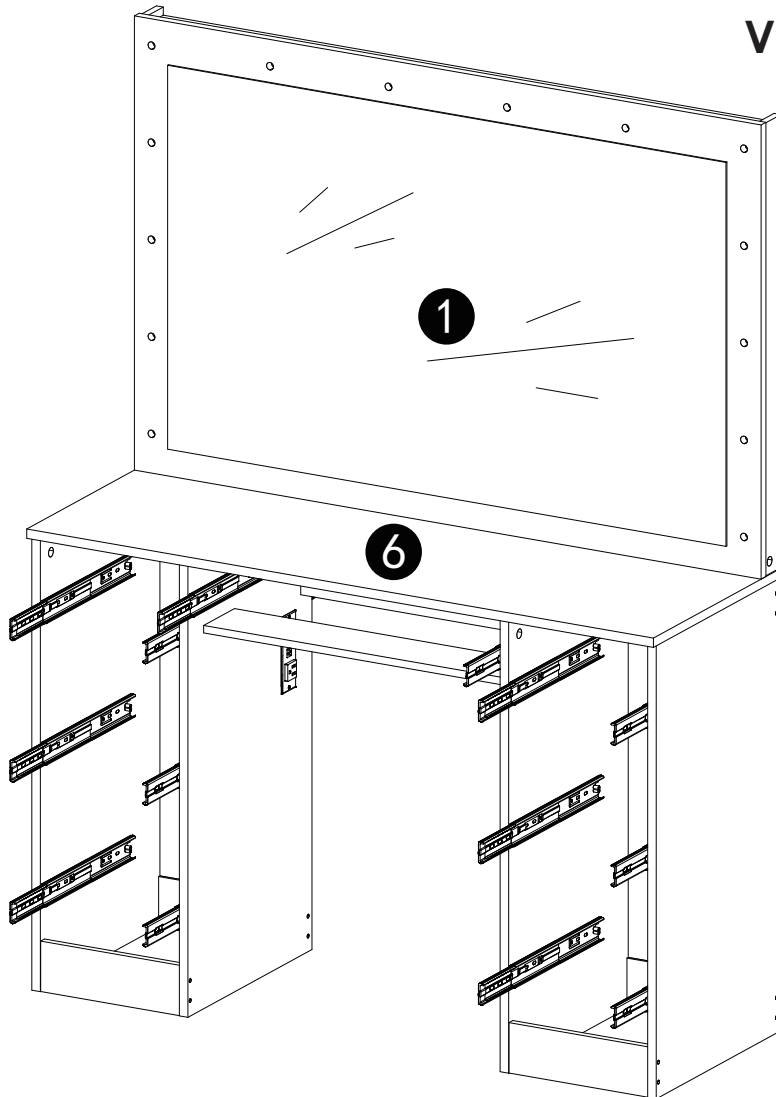


J	x3
K	x3

STEP 14



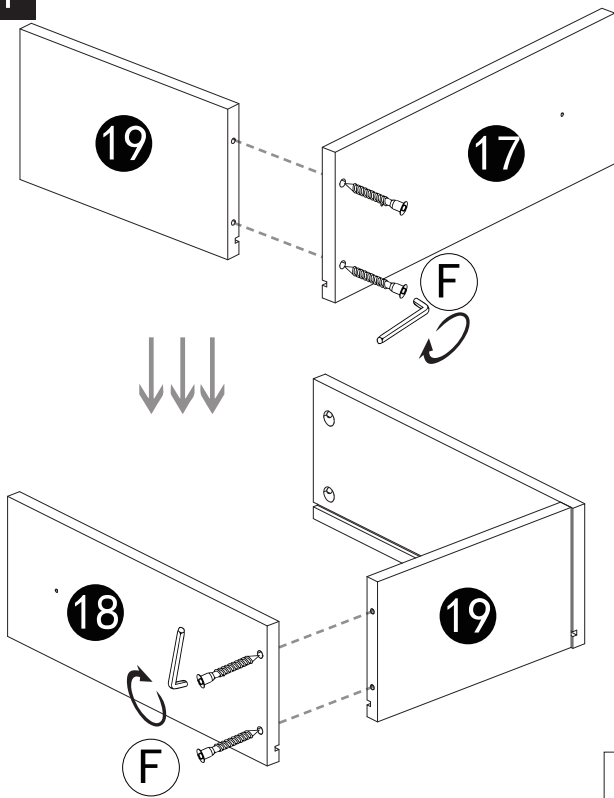
View from below



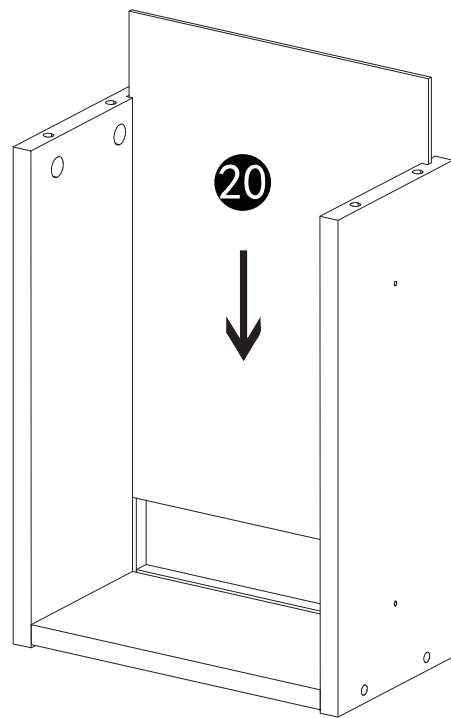
F x3

STEP 15

1

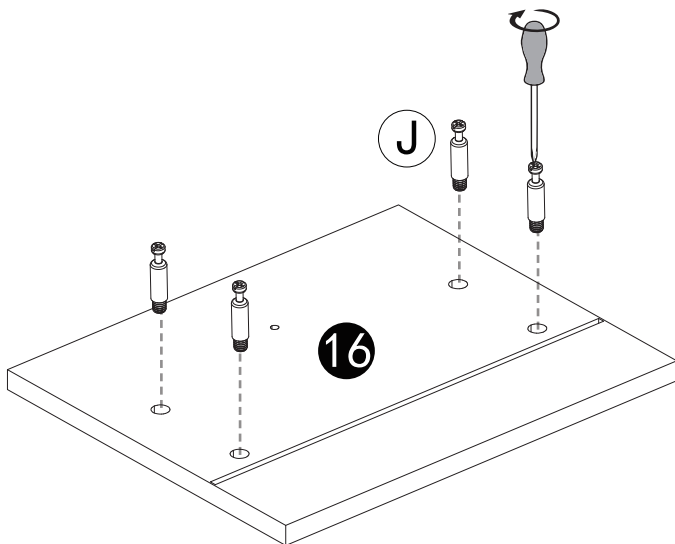


2

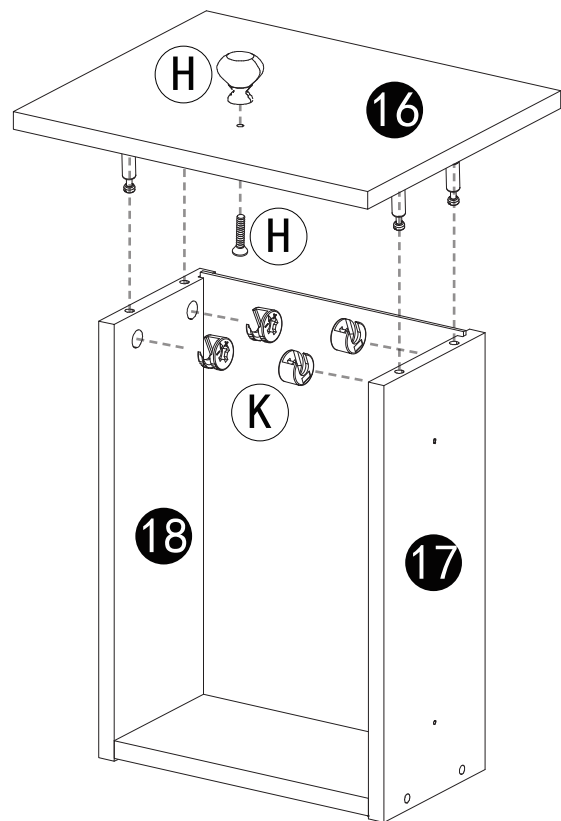


X6

3



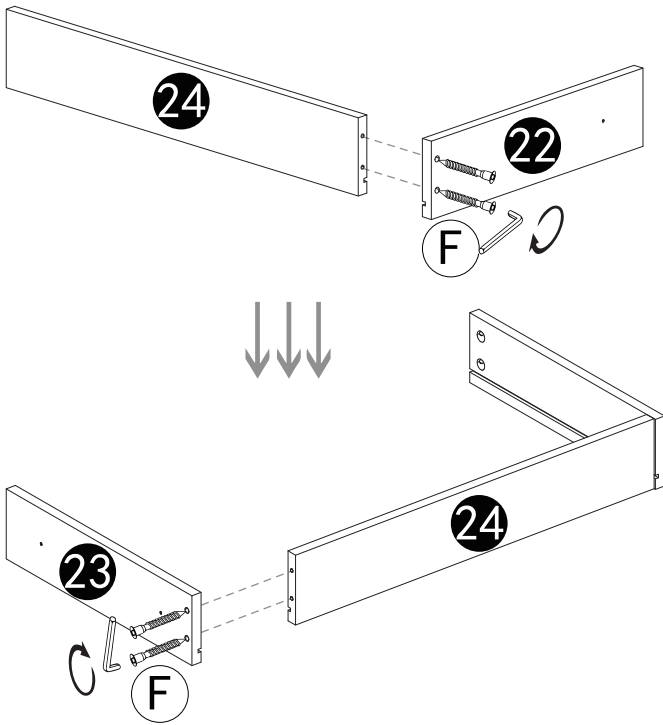
4



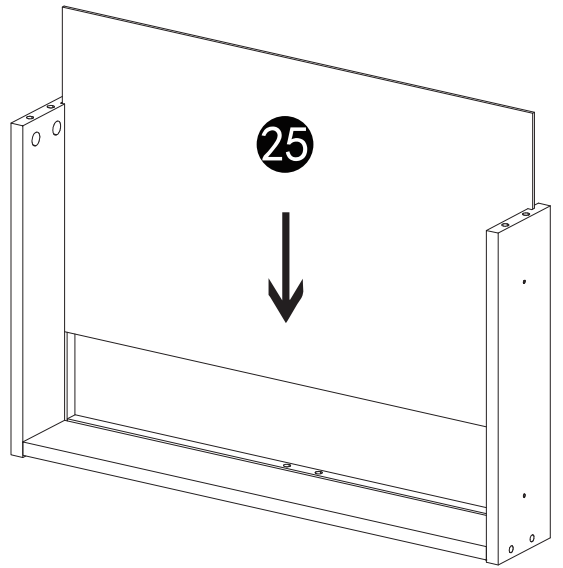
F	x24		
J	x24		
K	x24	H	x6

STEP 16

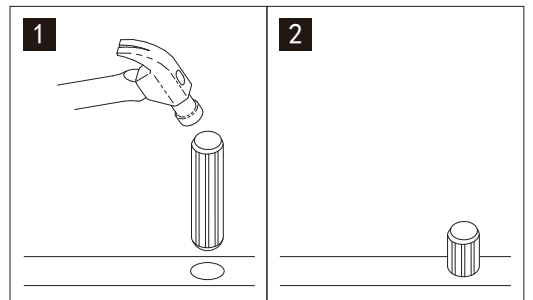
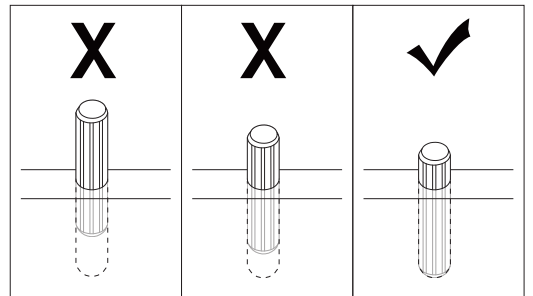
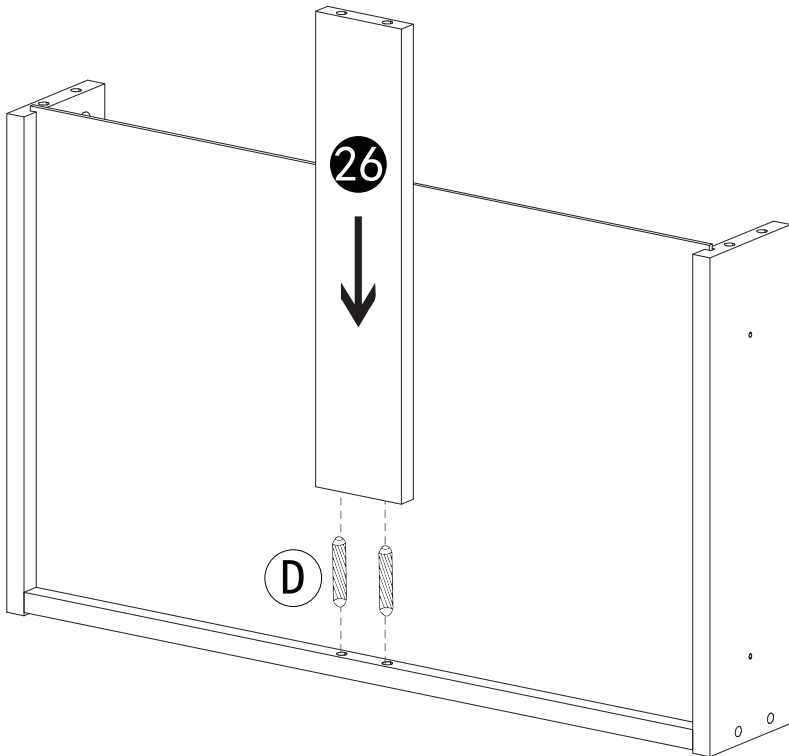
1



2

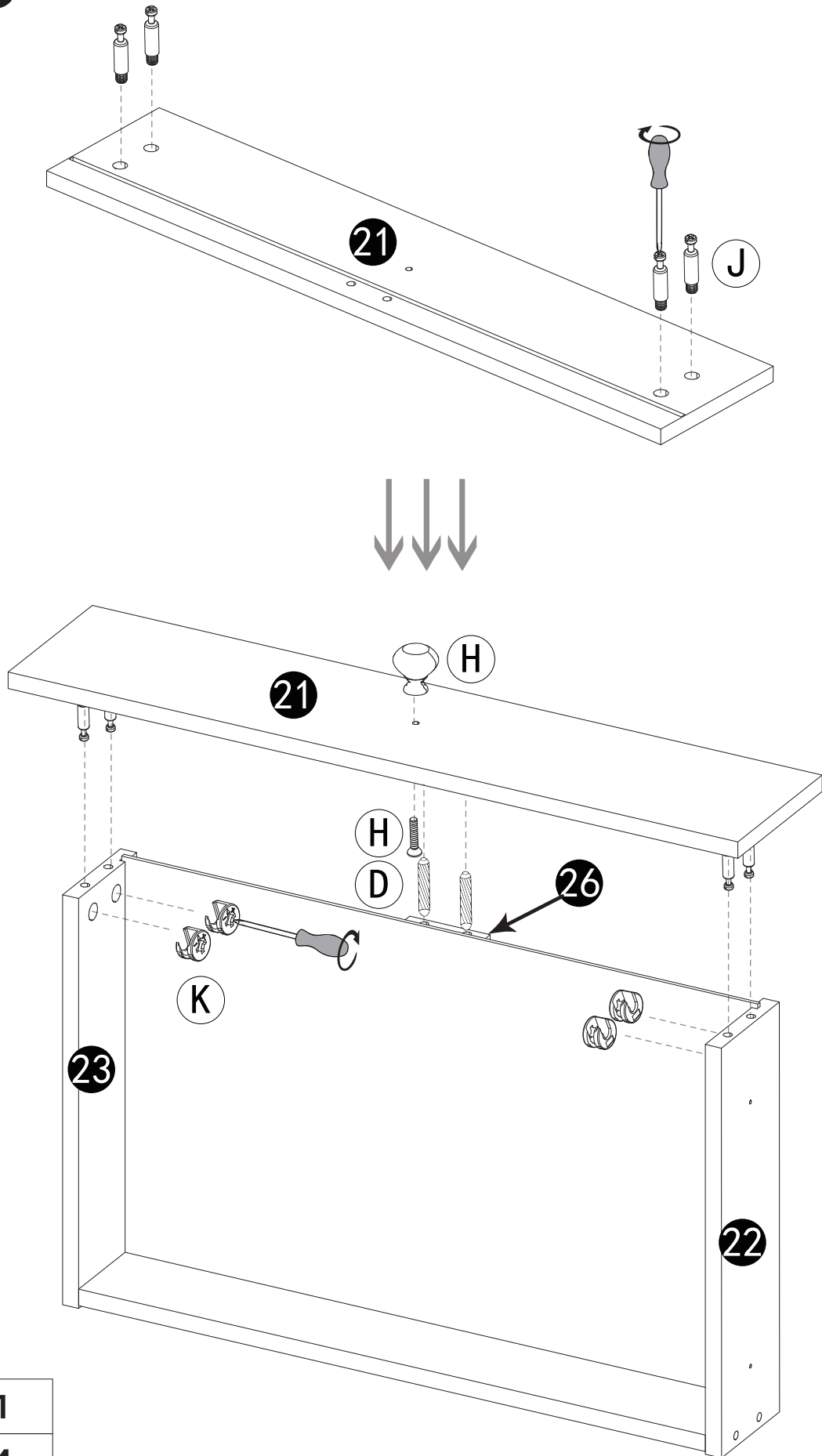


3



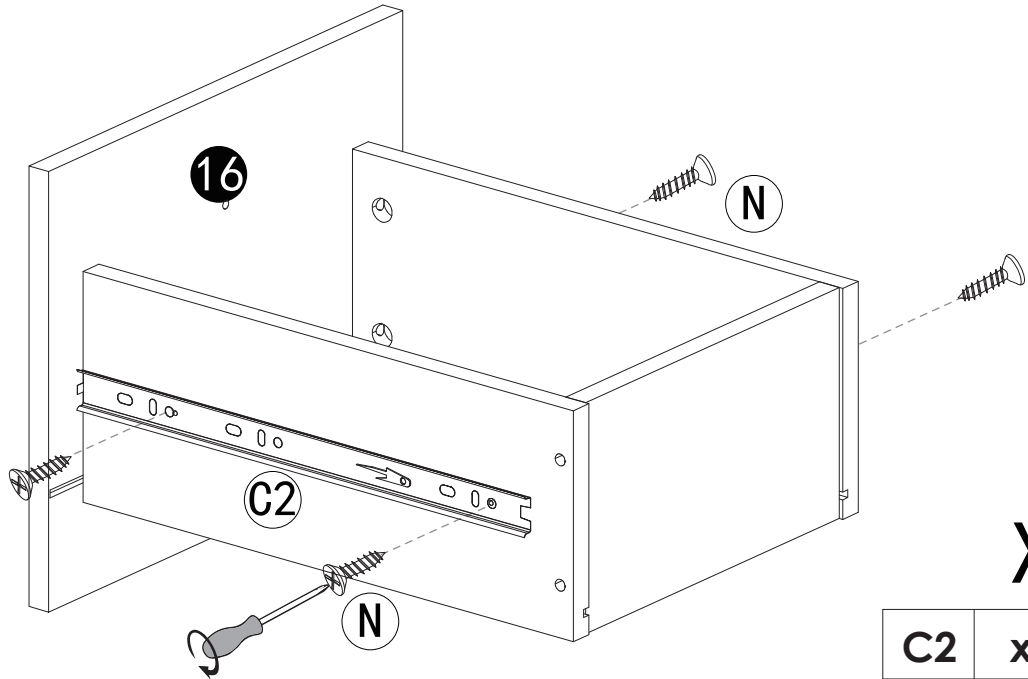
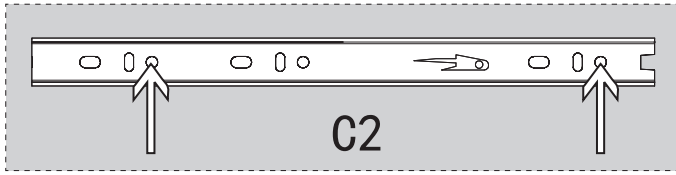
F	x4
D	x2

STEP 17



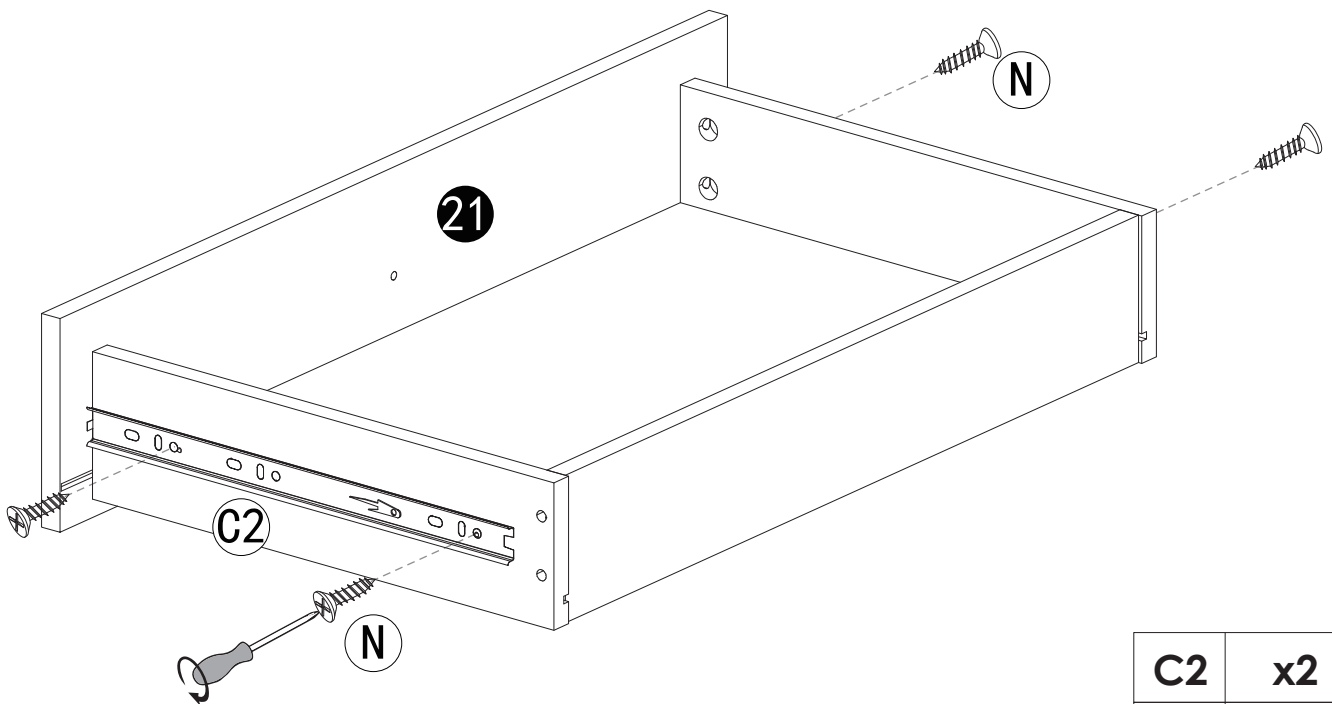
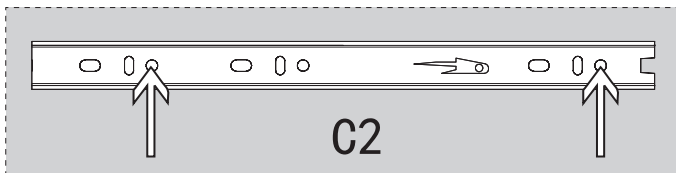
H	x1		
J	x4		
K	x4	D	x2

STEP 18



X6

C2	x12
N	x24

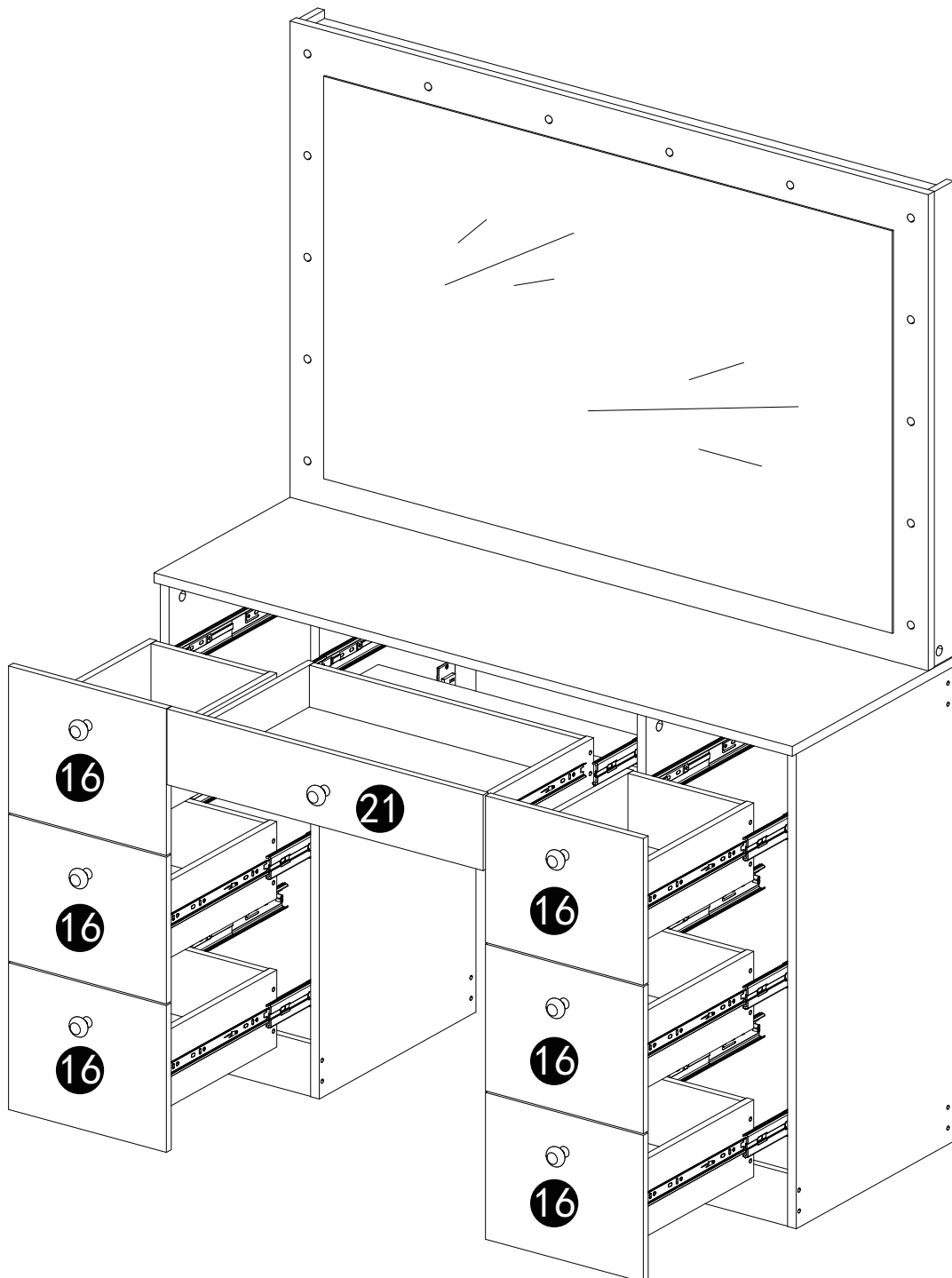
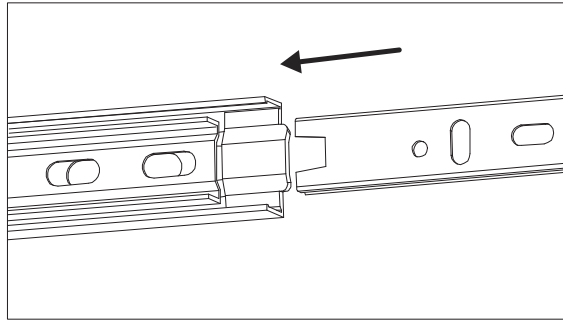


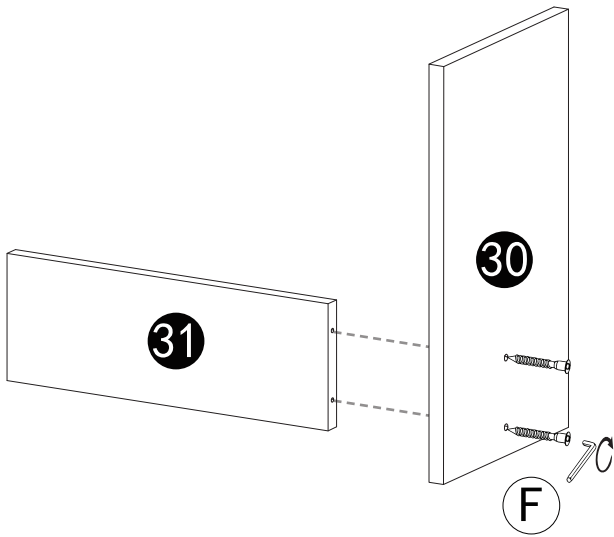
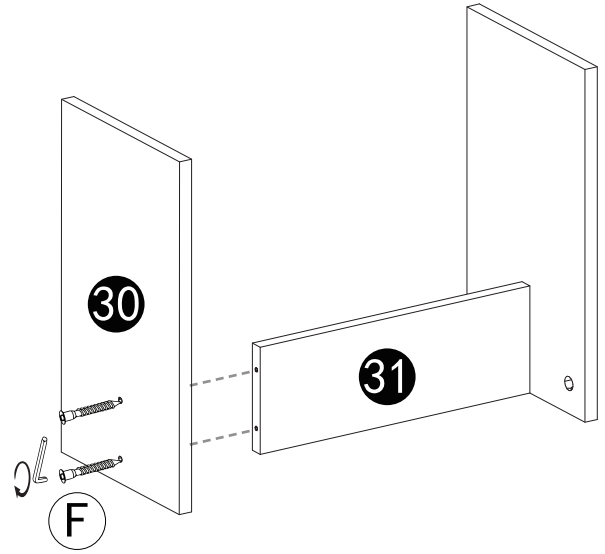
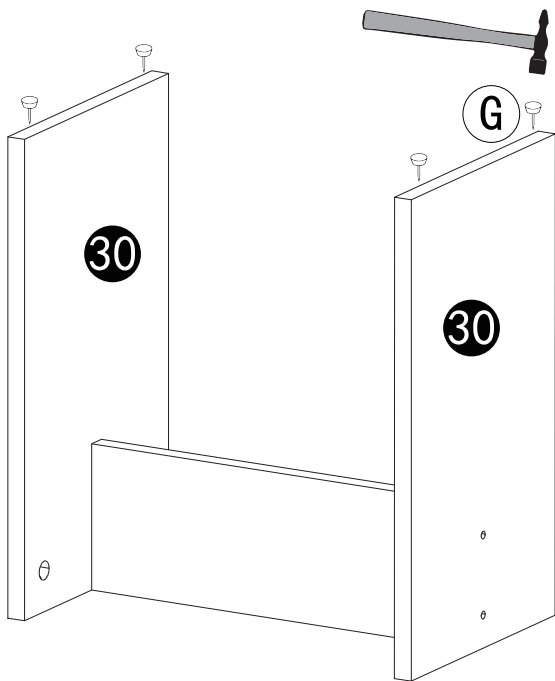
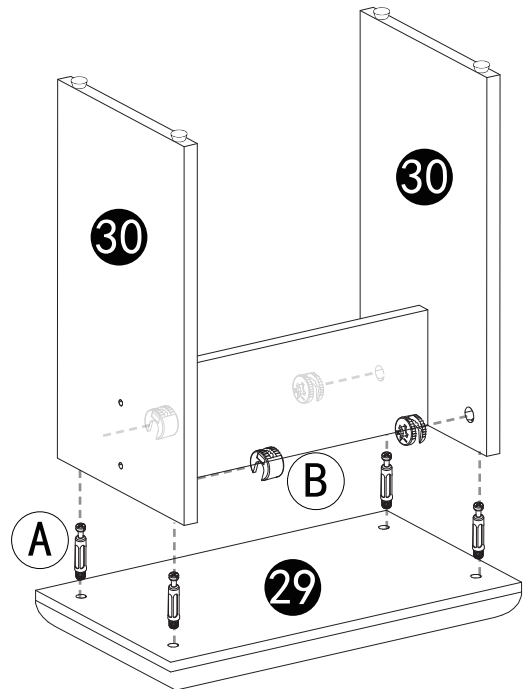
C2	x2
N	x4

STEP 19

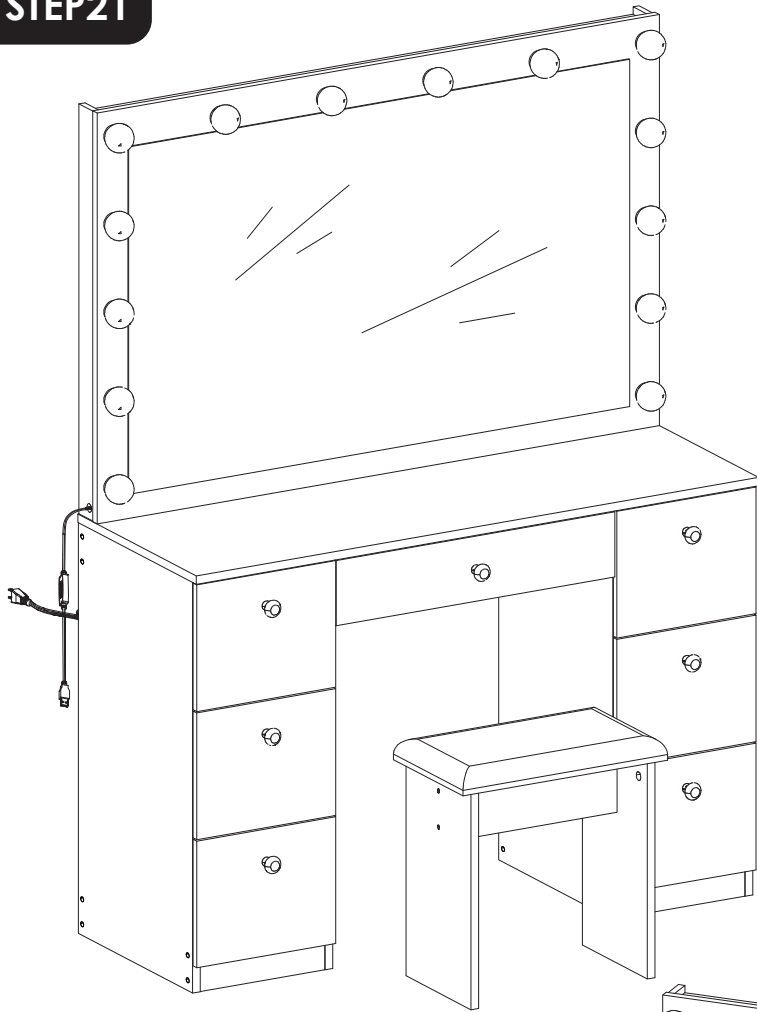
REMARK: Align the slide runners on the drawer with the unit and push it carefully inside until it stops.

★ If the drawer does not go in smoothly please take it out and repeat the step.



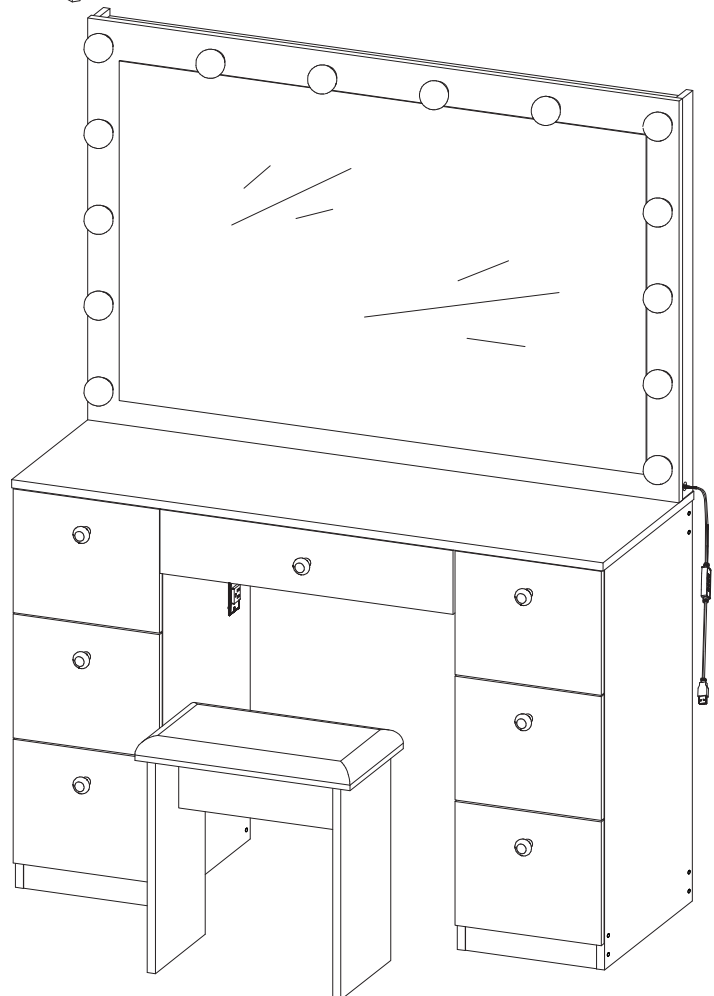
STEP20**1****F** **x2****2****F** **x2****3****G** **x4****4****A** **x4****B** **x4**

STEP 21



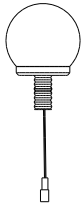
The light bar can be installed on the left or right according to your needs.

Or 



STEP 22

I



x1 PC

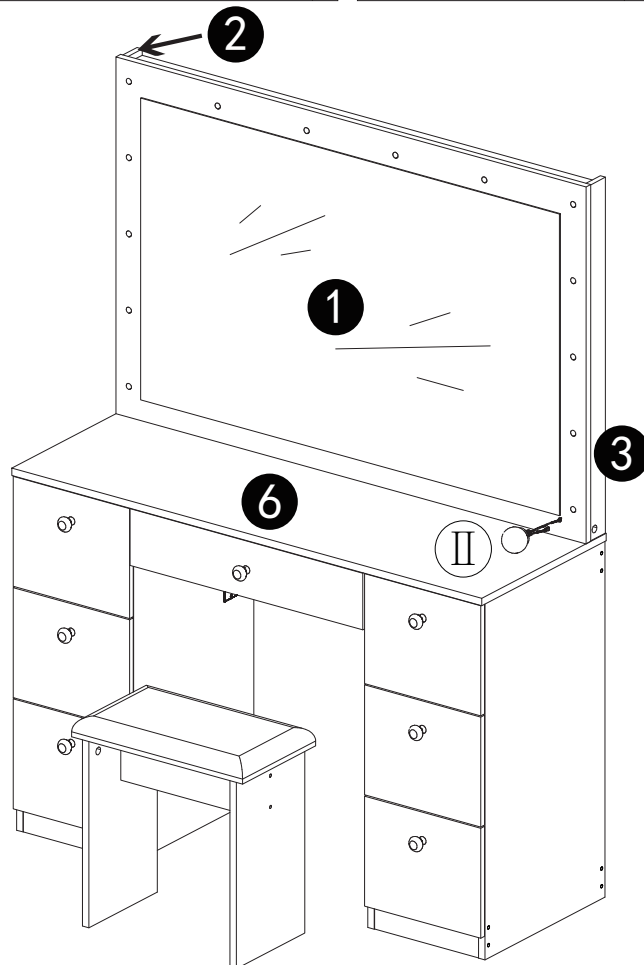
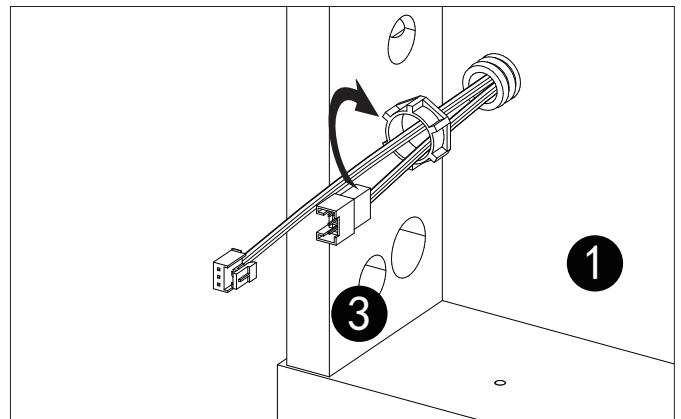
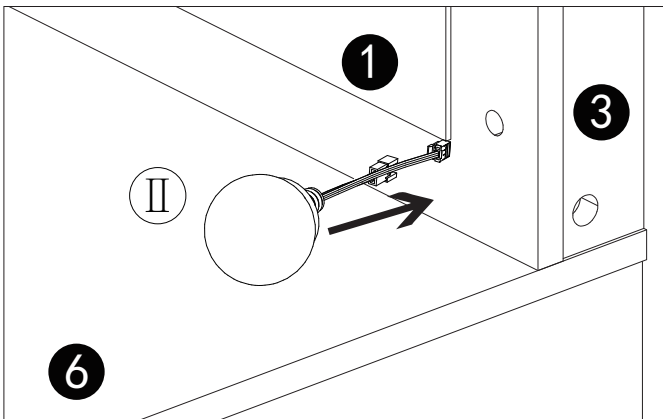
Install the last bulb

II



x13 PC

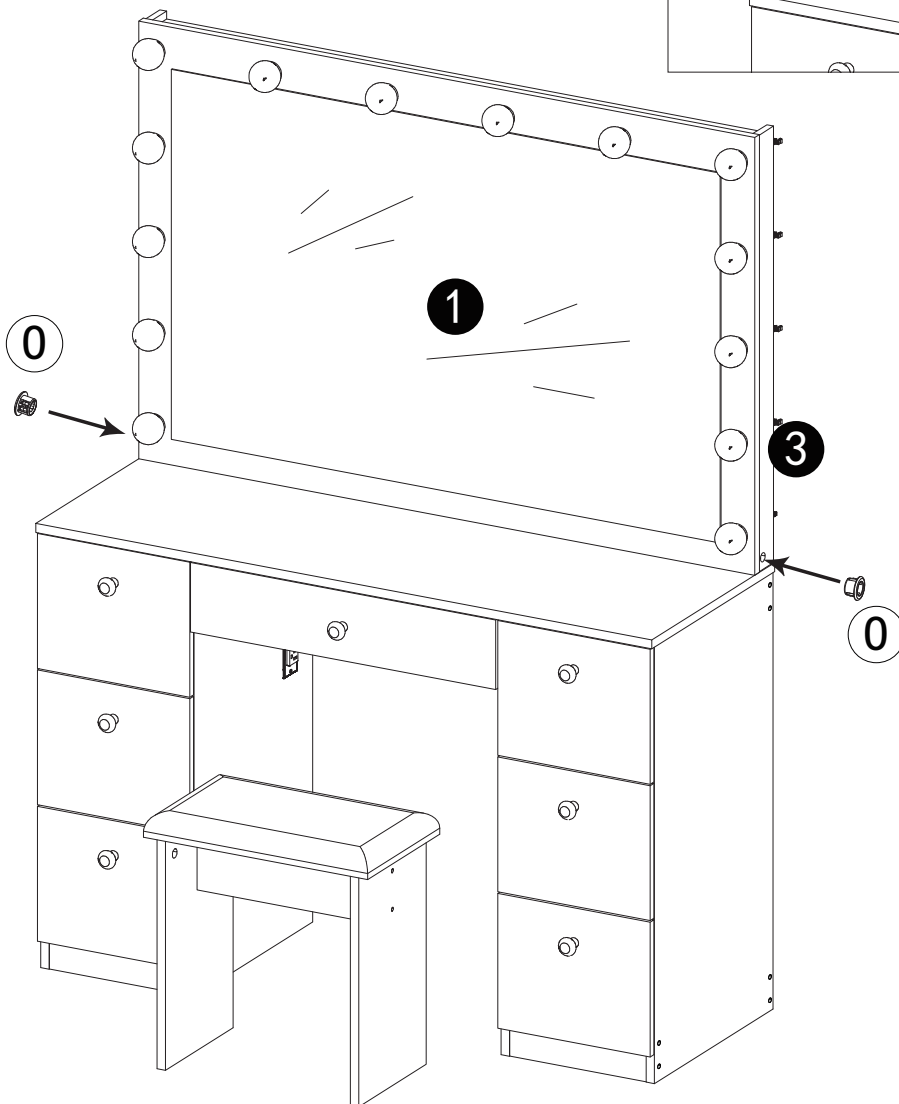
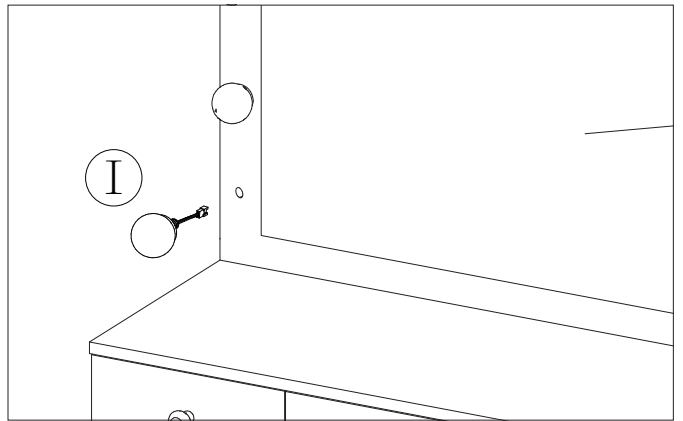
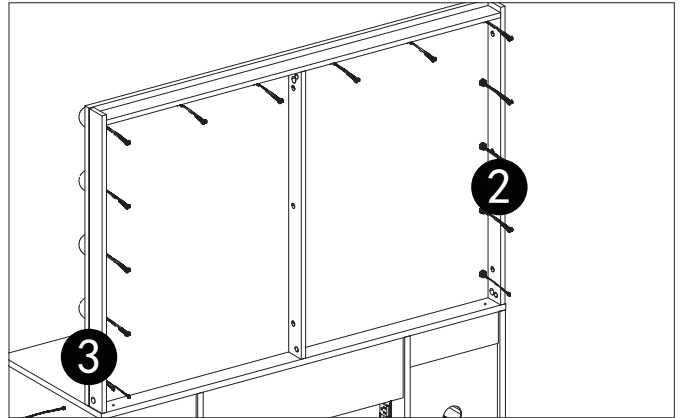
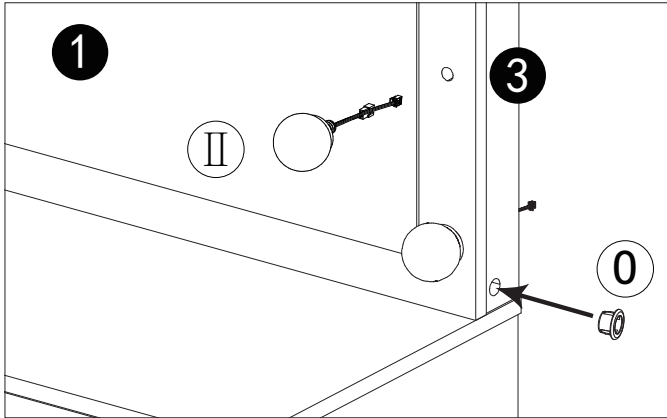
Install the middle bulbs (13 pcs)



Q

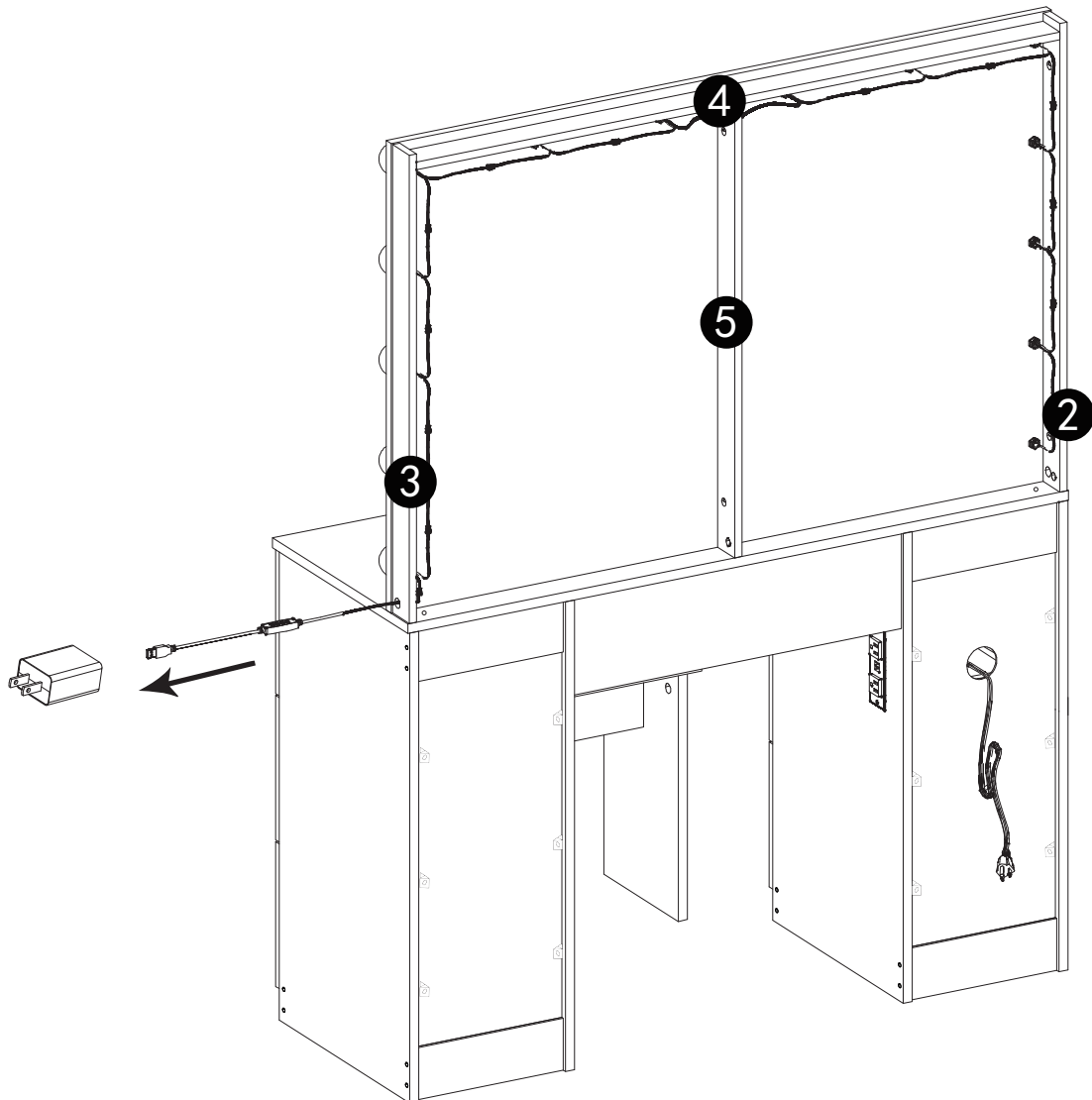
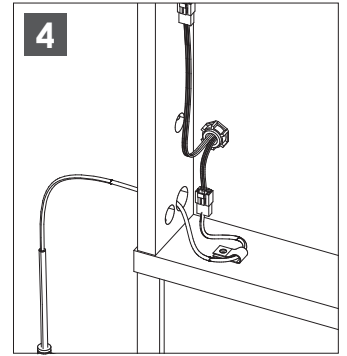
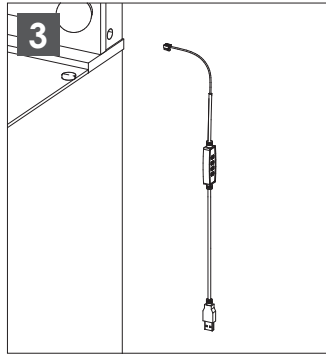
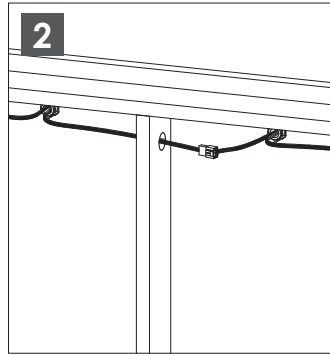
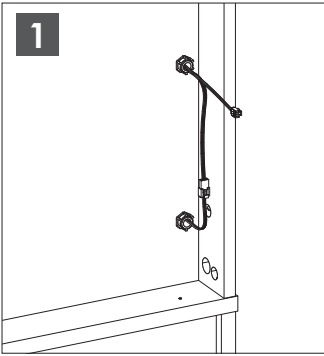
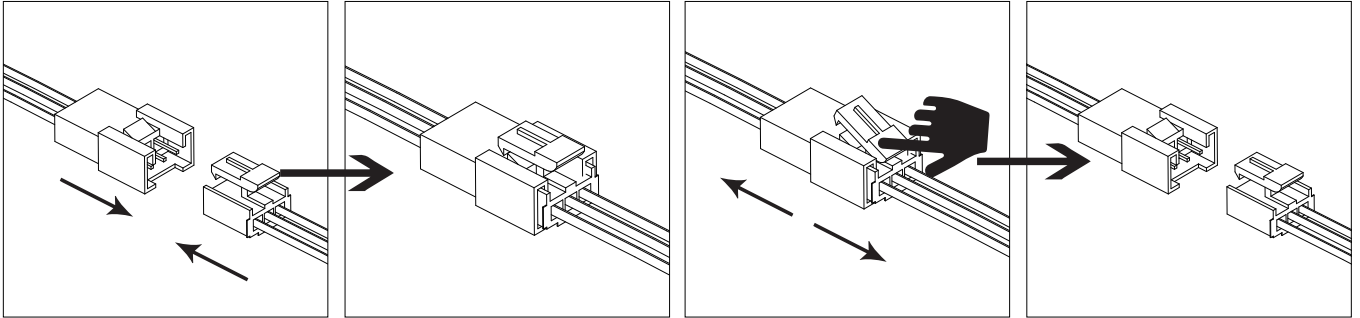
x1

STEP 23

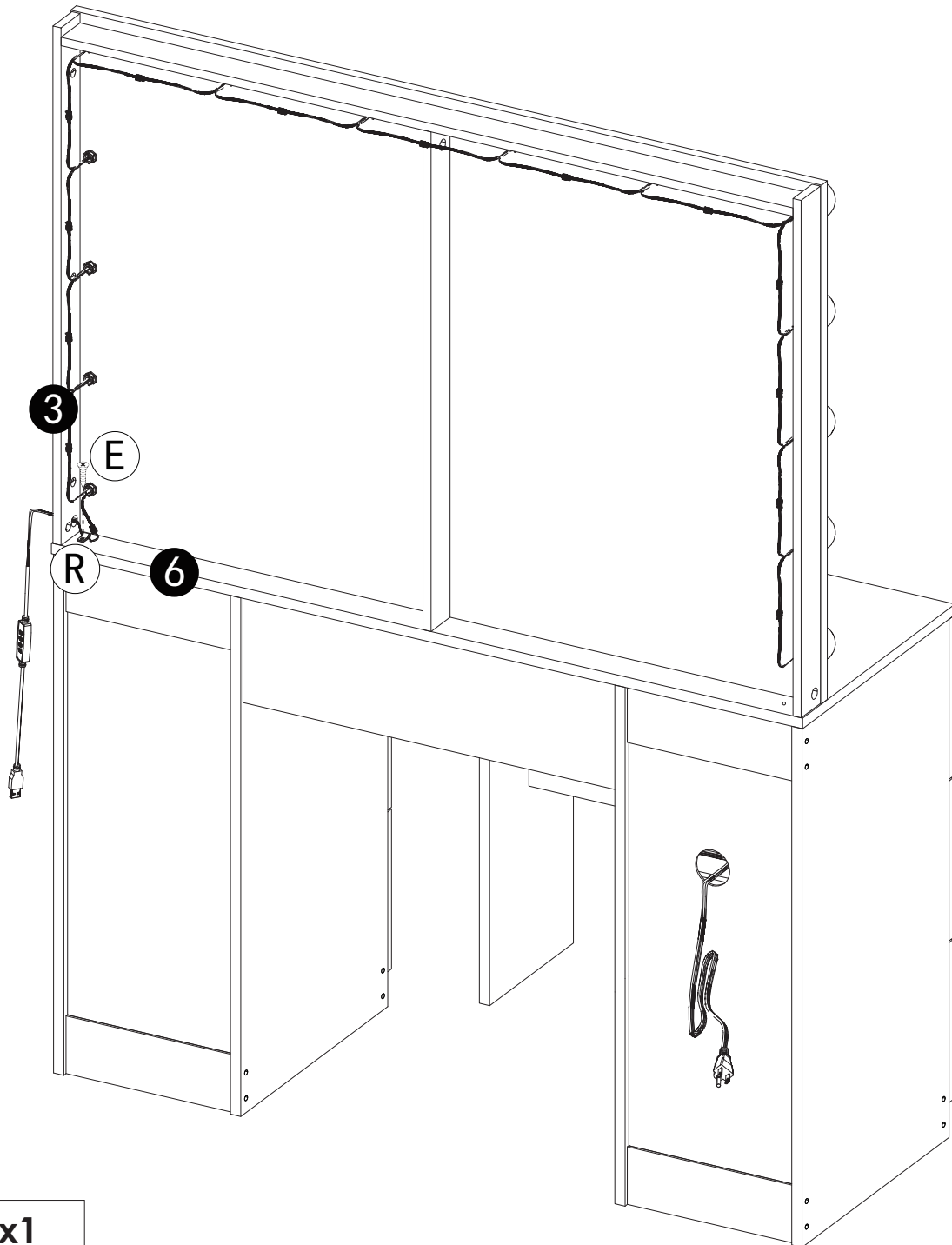
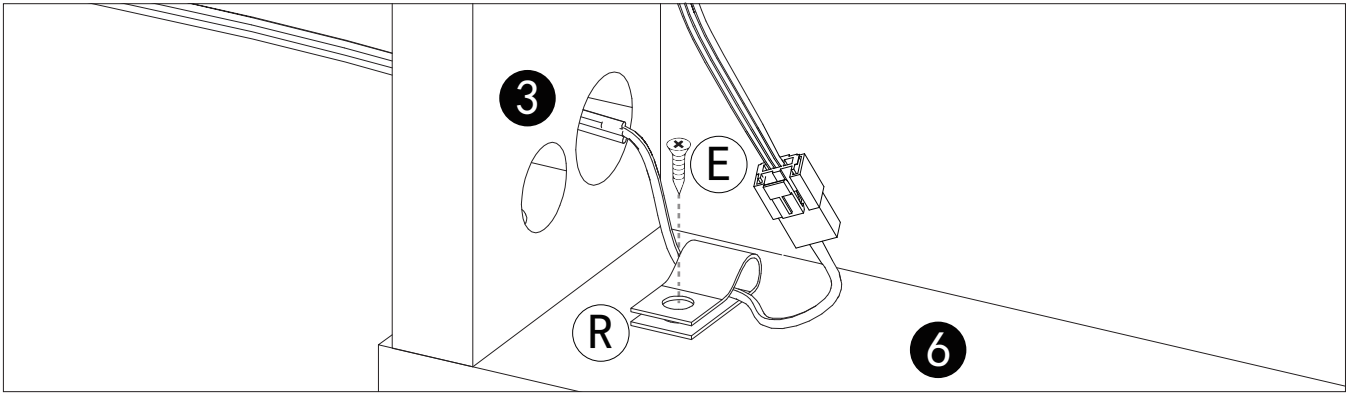


○ x2

STEP 24

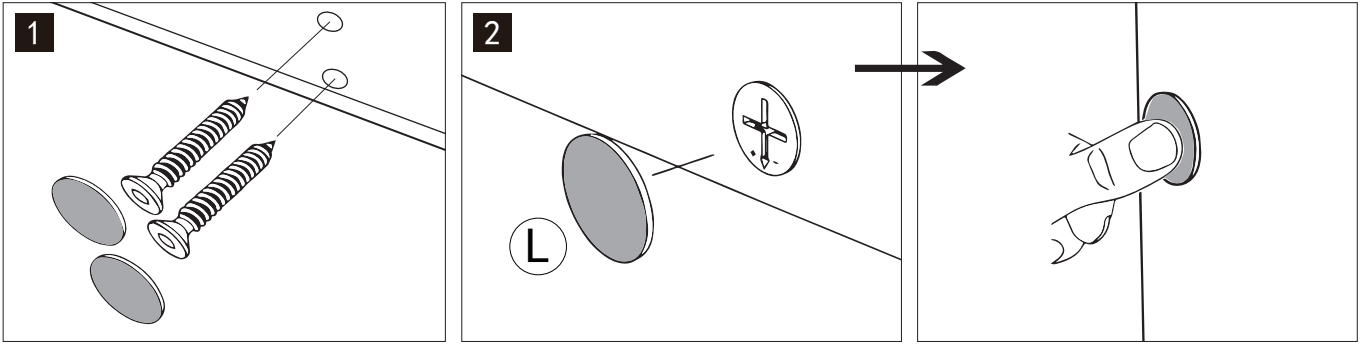


STEP 25

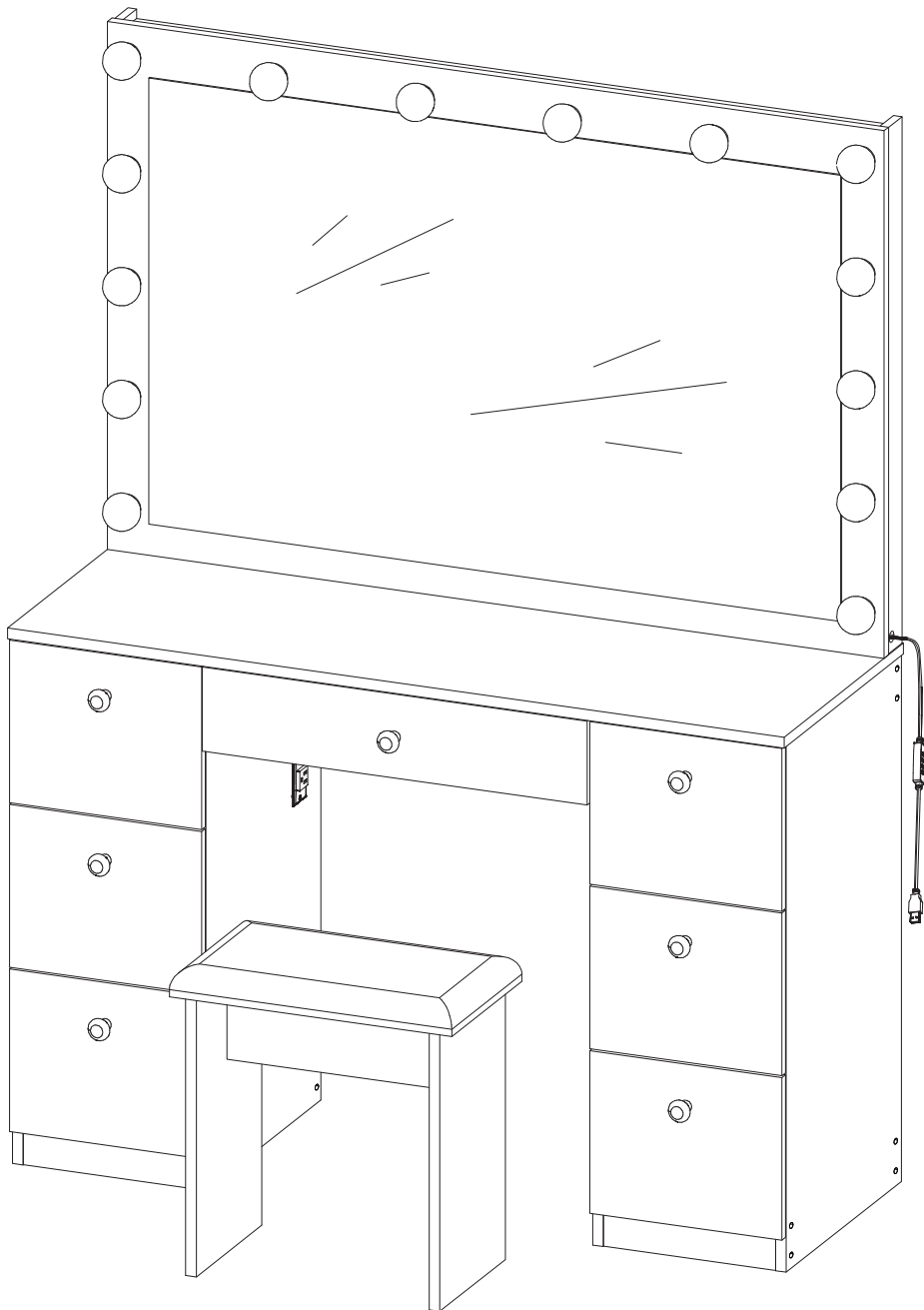


E	x1
R	x1

STEP 26



Add L fittings to all exposed holes on the front of the product



L **x56**

WARRANTY

We offer an **18-month** warranty after the original purchase date. If there are manufacturing defects on this product, please contact support by email with your order number and other details about the problem.