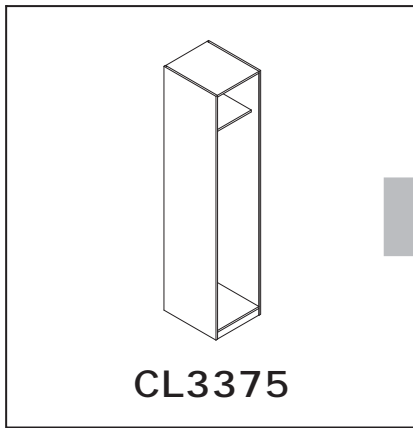
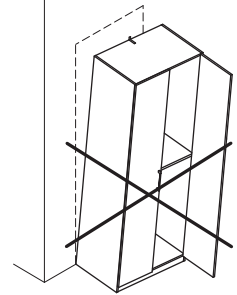
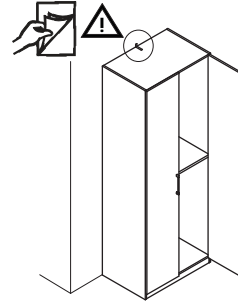
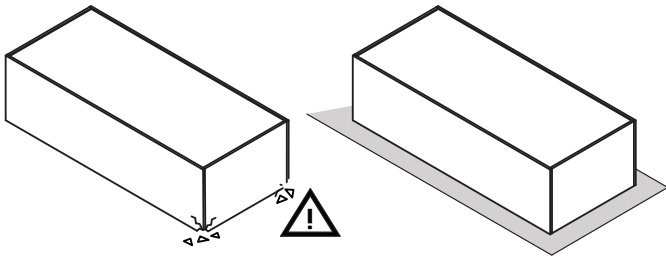
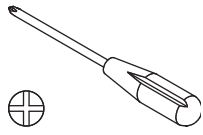


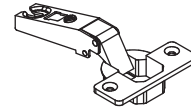
0,5h



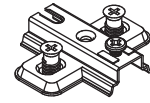
CL3375



H113
x4



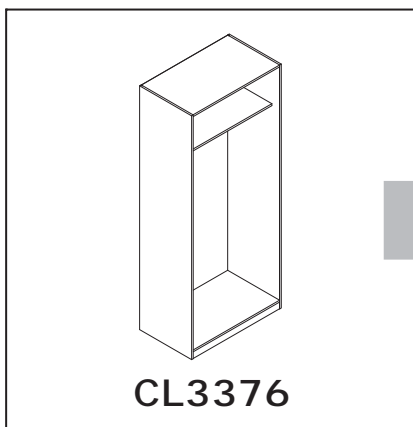
C66
x2



B30
x2



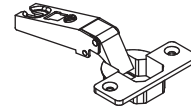
V5
x4



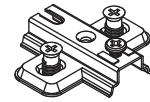
CL3376



H113
x8



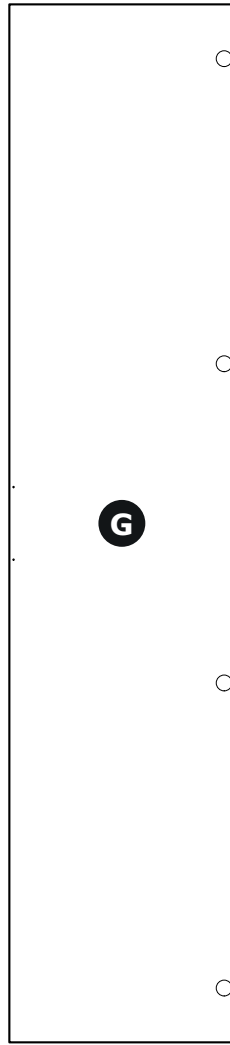
C66
x4



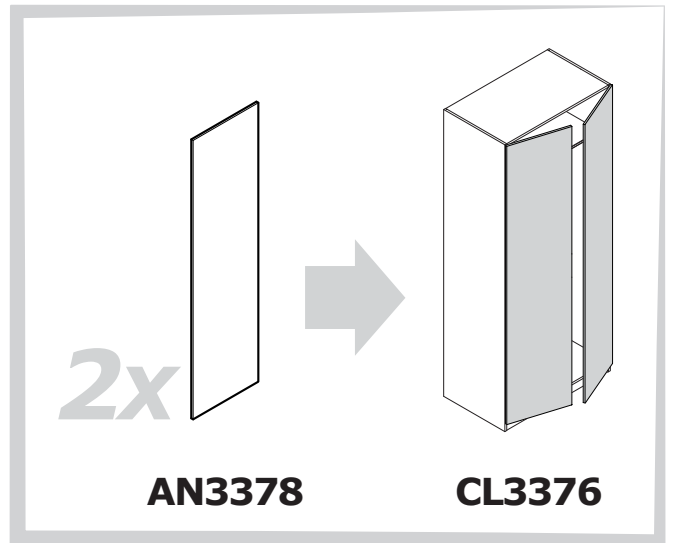
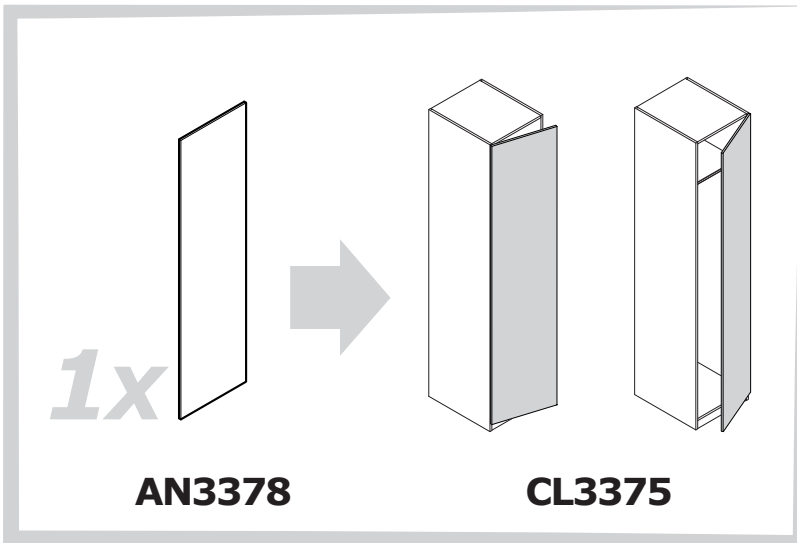
B30
x4



V5
x8



AN2866
2288x496x16mm



1

[CL3375]

1x

8x

V5

G

4x

V5

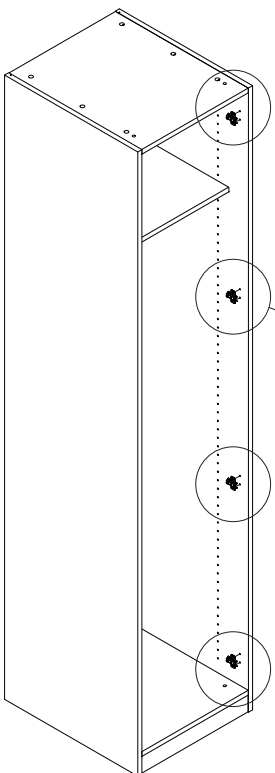
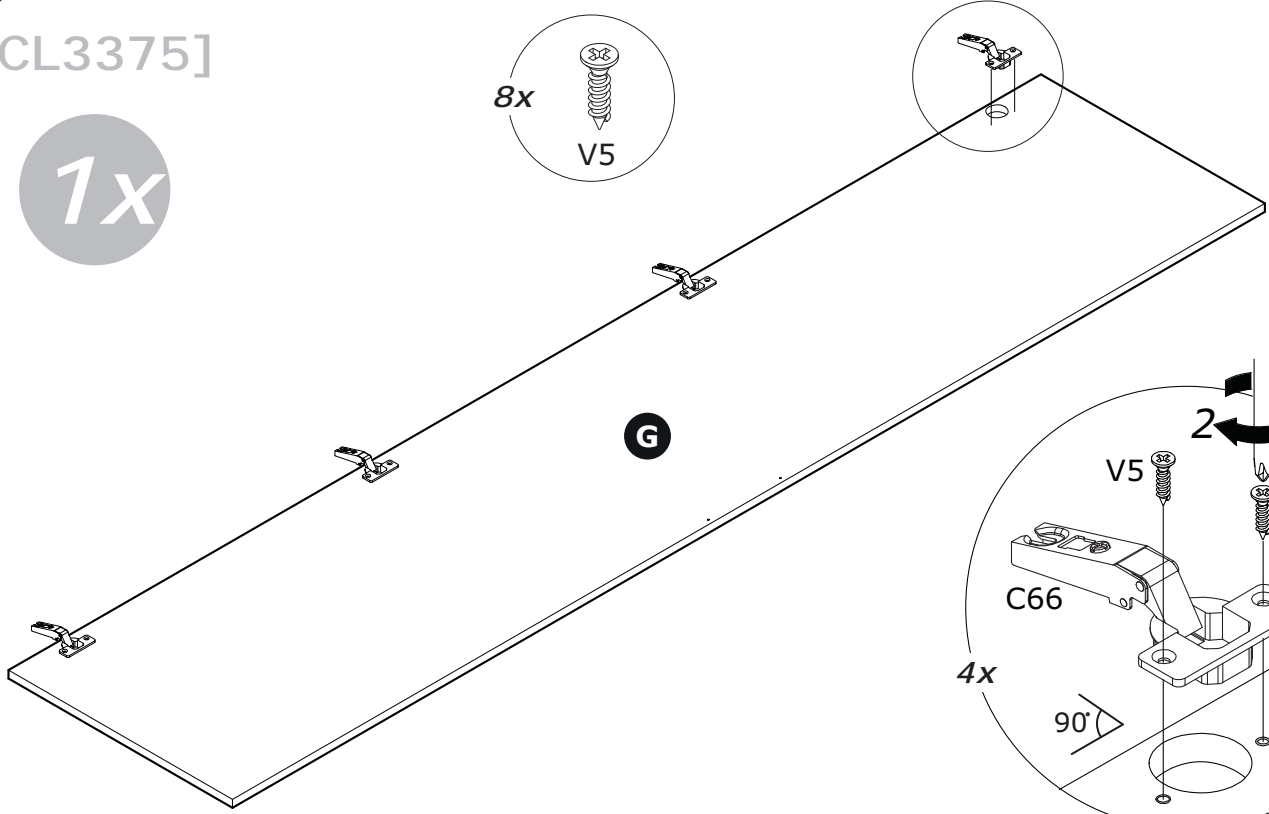
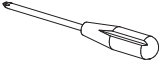
2

C66

V5

1

90°



4x

B30

2

4x

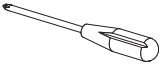
B30

1

2

2

[CL3376]



2x

