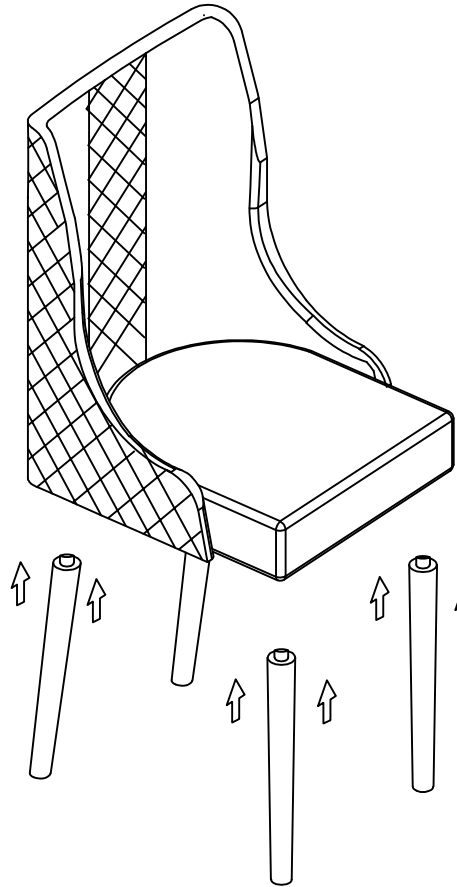
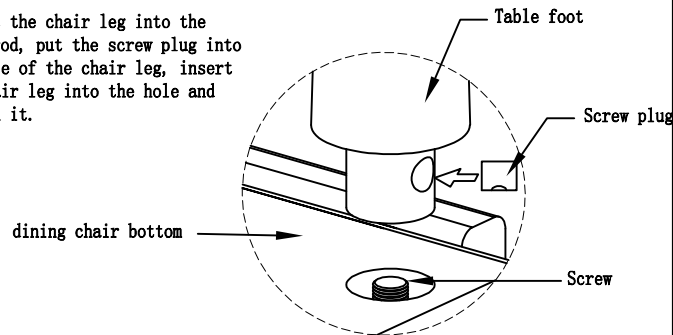


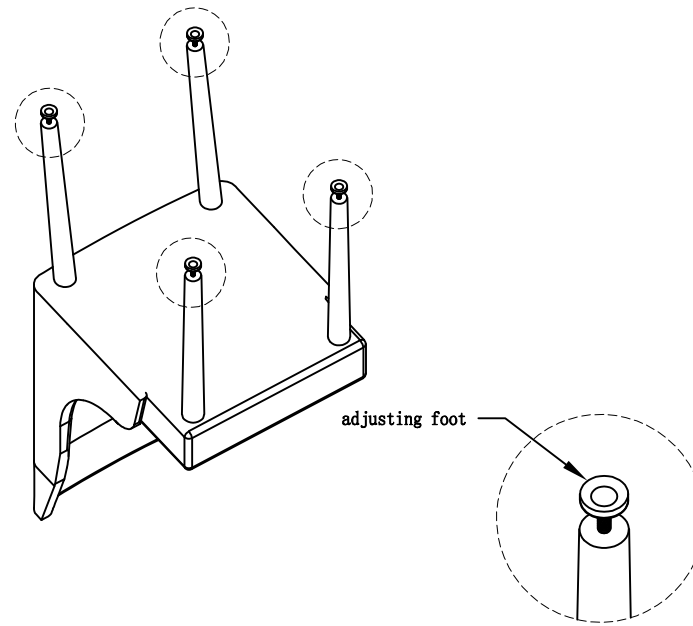
1. Dining chair and table base installation



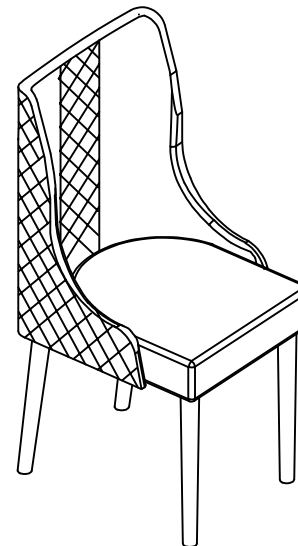
(1) Put the chair leg into the screw rod, put the screw plug into the hole of the chair leg, insert the chair leg into the hole and tighten it.



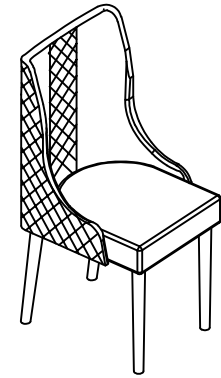
2. Insert the adjusting foot at the bottom of the dining chair table base and tighten it.



3. Installation complete.



Installation instruction



**CRO39AEH Installation**

The number of people needed for installation: 2

- ① Please read the manual carefully before installing this product. And strictly follow the installation process
- ② Please take good care of this manual for your next installation

Parts list

Serial number	Shape	Name	Quantity
A		Chair foot	4
B		Adjusting foot	4
C		Screw plug	4