

INSTALLATION STEPS

! IMPORTANT

We recommend using a professional plumber for all installation and repair. Please inform yourself about the Canadian plumbing code's regulations and your local municipality plumbing codes before installation. The Canadian plumbing code requires the installation of surge arresting devices to eliminate water hammering. Allow an adequate opening in order to easily access connections or other plumbing devices for maintenance or repair.

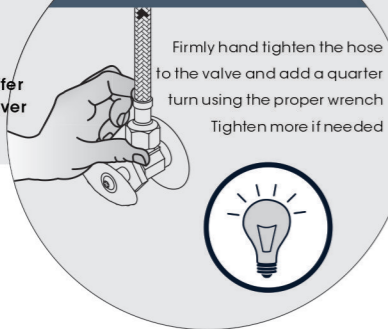
RECOMMENDED TOOLS



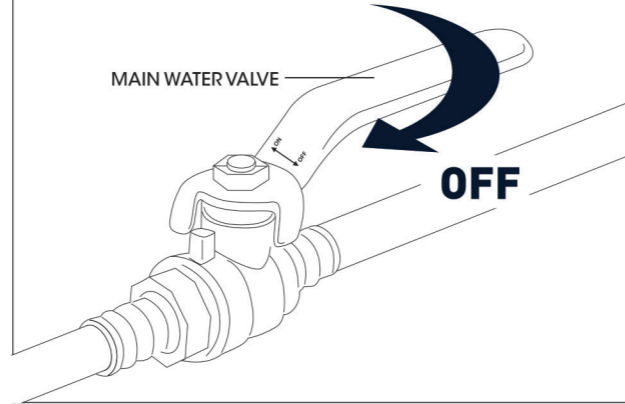
* Apply plumber's putty under the plastic cover deck plate to seal your installation.

The model shown in the installation steps may differ from the one in box however connection type and installation steps are the same.

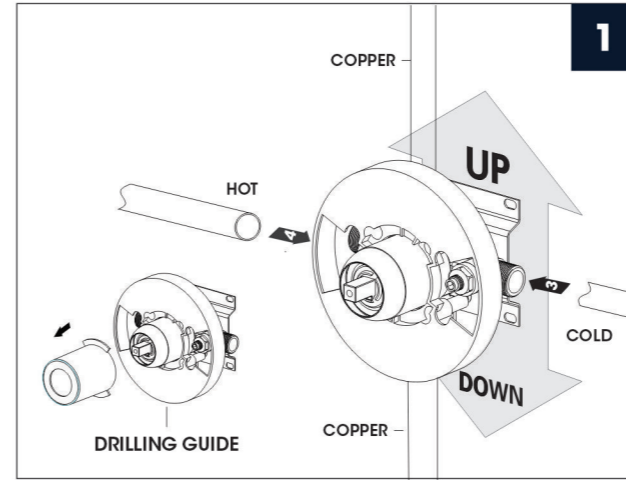
CONNECTION ADVICE



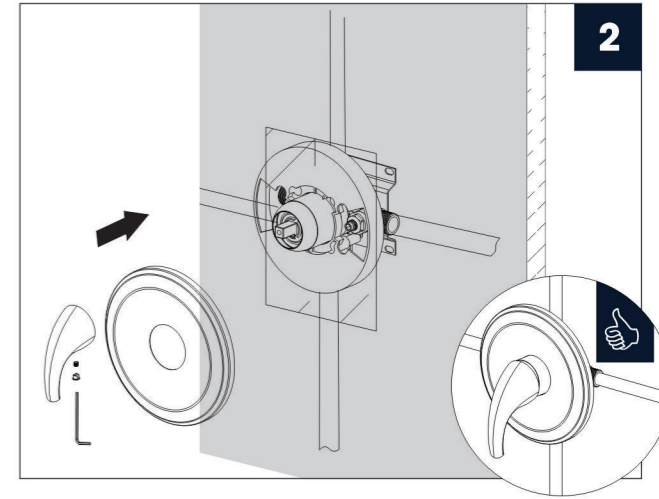
BEFORE YOU BEGIN



1

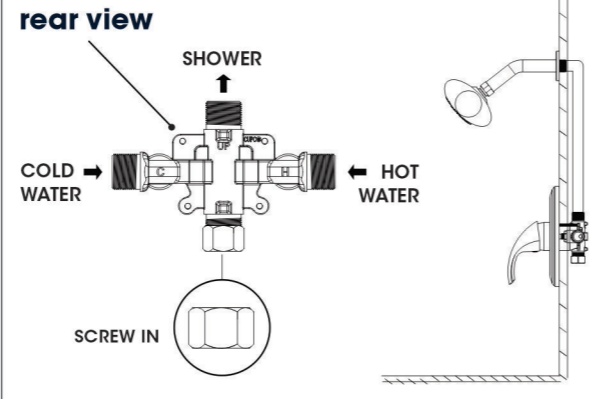


2

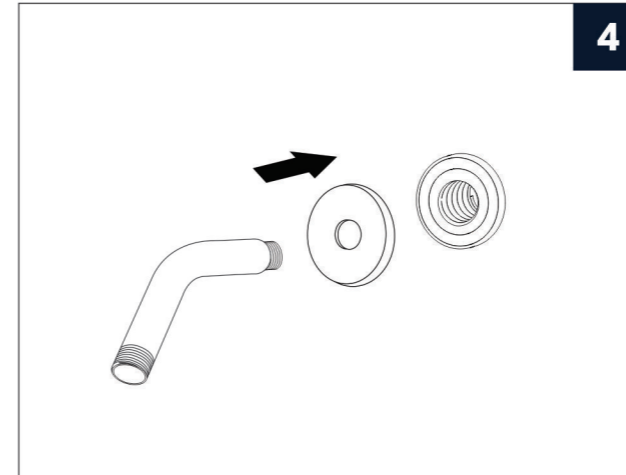


ONLY SHOWER

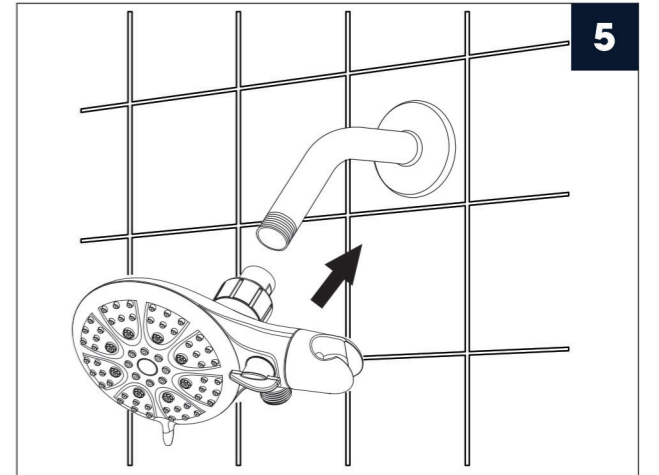
3



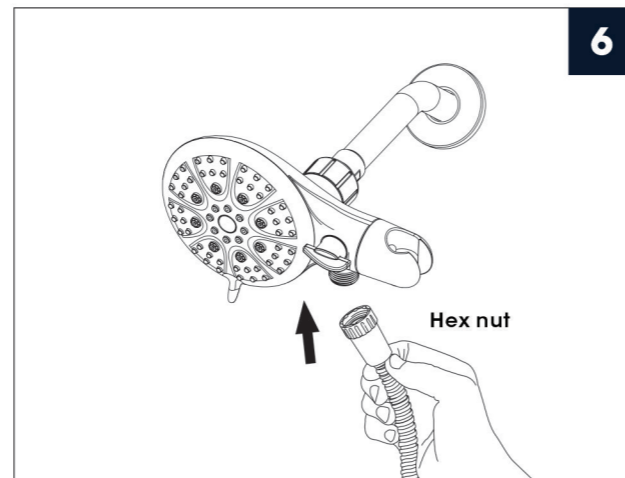
4



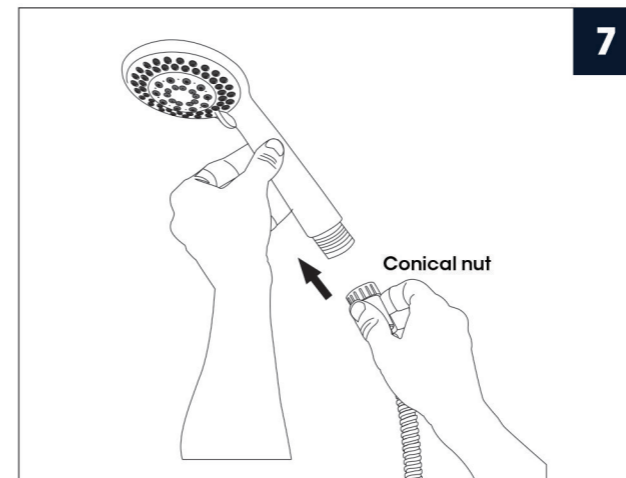
5



6



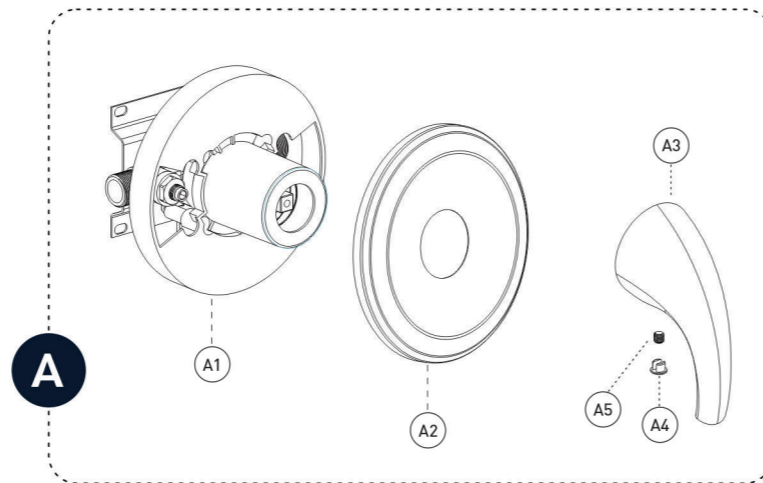
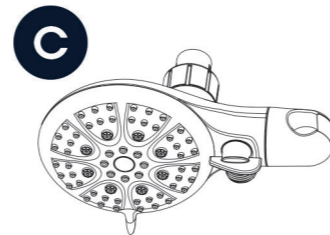
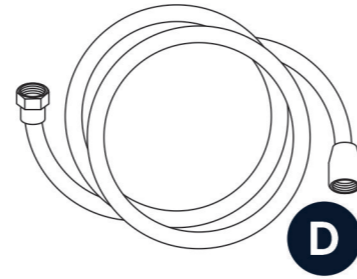
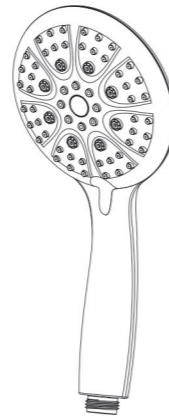
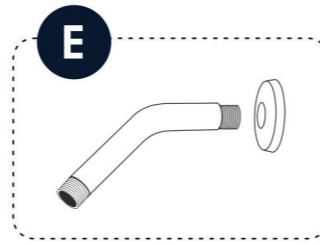
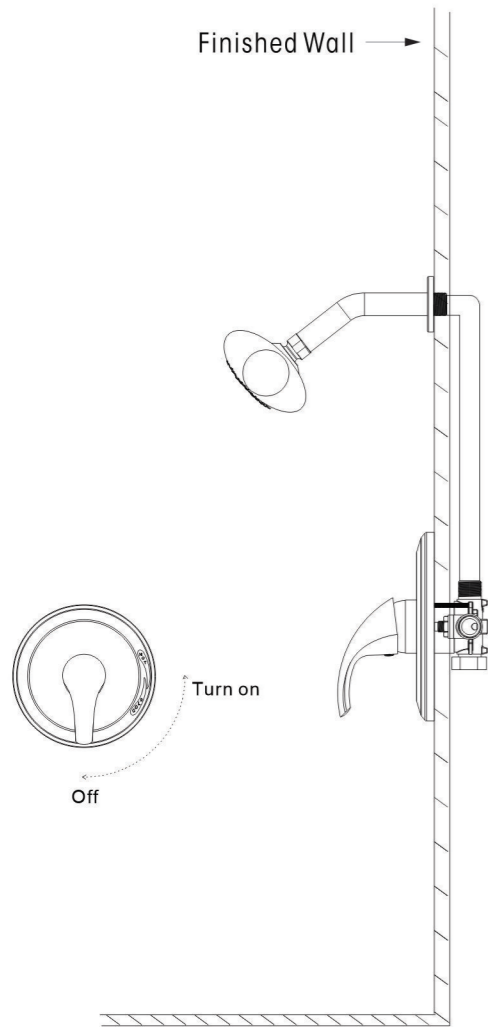
7



8



PRODUCT DRAWING



No.	Description
A	Pressure balanced diverter valve
A-1	Valve
A-2	Face plate with sealjoint
A-3	Diverter knob kit
A-4	Trim cap
A-5	Allen screw
B	Hand shower
C	Head shower
D	Flexible hose
E	Shower arm and flange kit

SHOWER SYSTEM FAUCET

Installation instruction



MB/BN/BG/CH/ORB

CARE INSTRUCTIONS

Rinse the product with clear water. Dry the product with a soft cloth.

DO NOT:

Use abrasive cleansers, cloths, or paper towels. Use any cleaning agents containing acid, polish, wax, alcohol, ammonia, bleach, solvent or any other corrosive or harsh chemical cleansers.