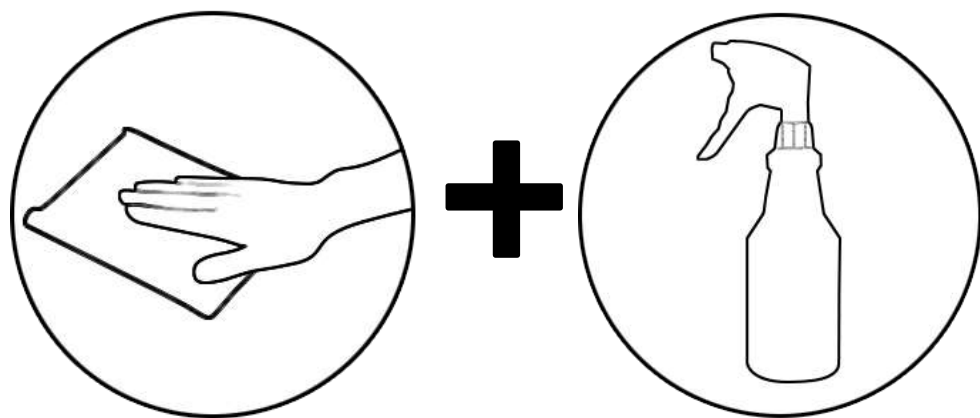


Daily Maintenance



Clean the surface of the product with a piece of cloth and non-abrasive faucet specialized cleaner at regular intervals.

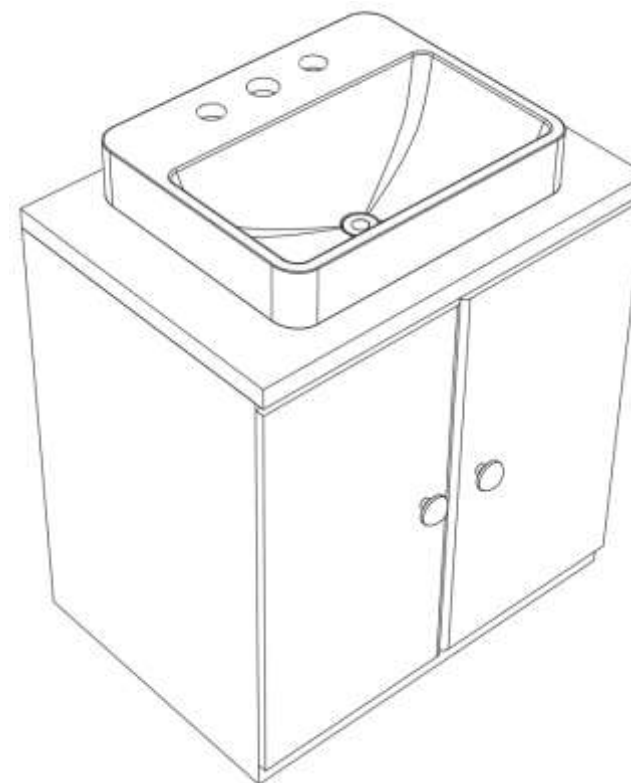
CAUTION

Always turn off the main water supply before removing or disassembling the product.

For more information about our products, please visit:
www.aquaterior.com

aquaterior

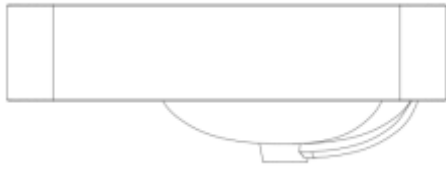
Porcelain Sink User's Manual



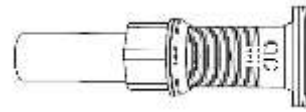
Note:

The cabinet shown in this manual is for illustrative purpose only. It is not included in the product contents.

Package Contents



Porcelain Sink x 1

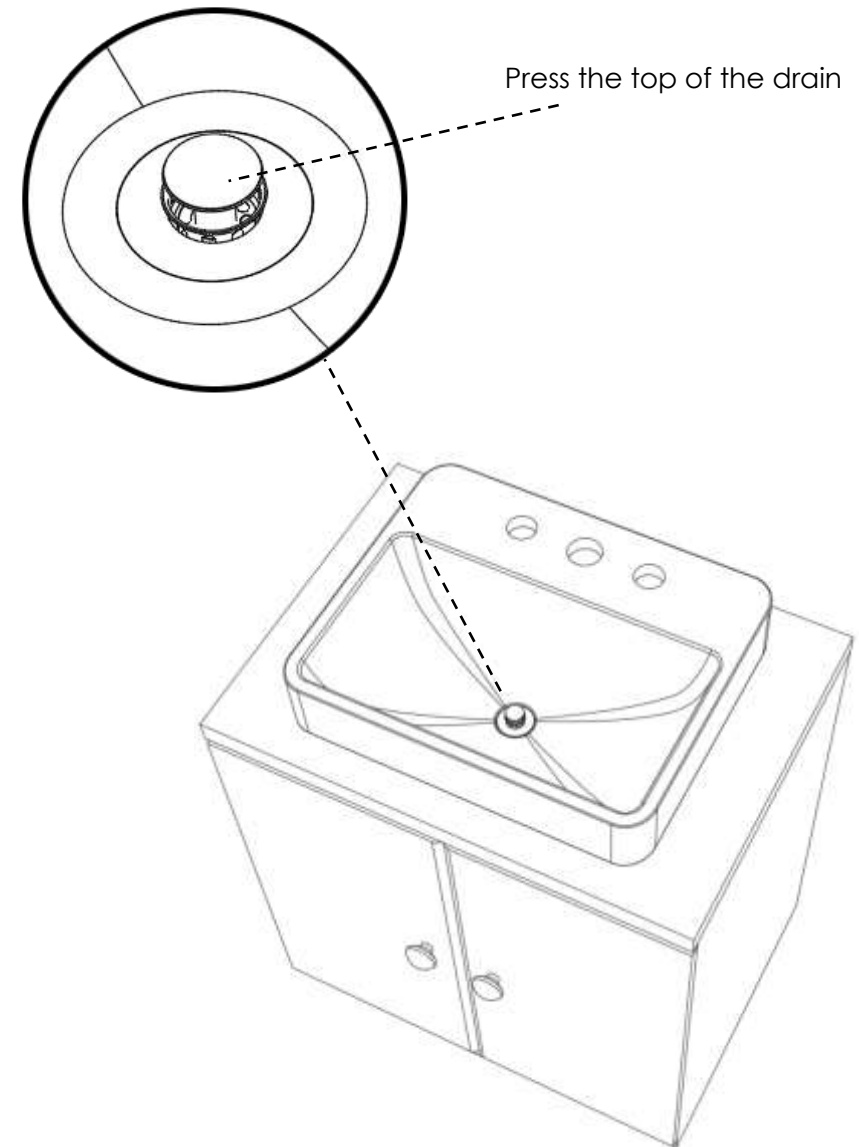


Drain x 1

Safety Instructions

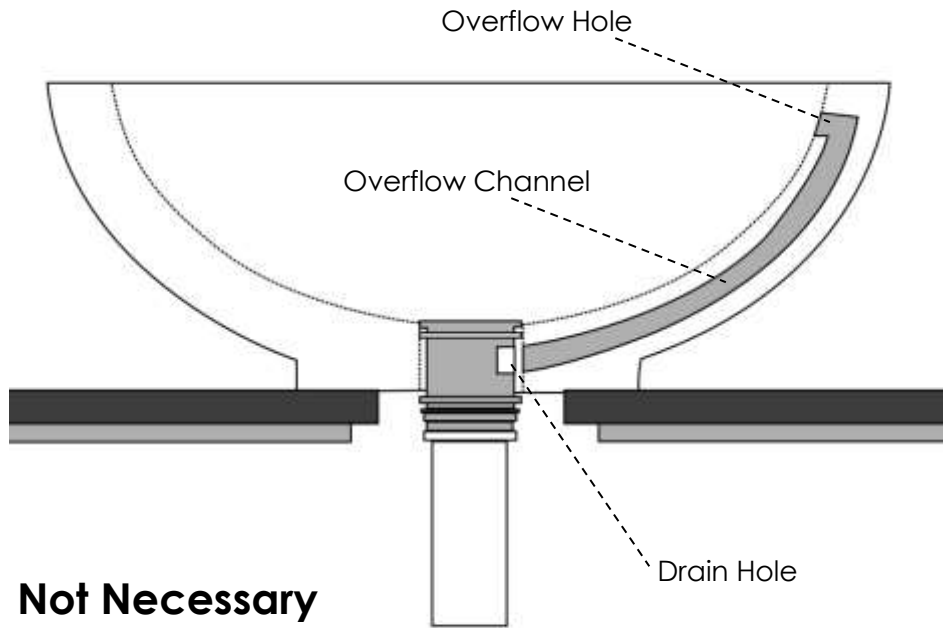
1. Before carrying out the installation, please thoroughly read this manual. Keep this user manual for future reference.
2. Before carrying out the installation, ensure the water supply that this product is connected to is turned off first.
3. Wrap all the connection parts with Teflon tape and plumber's putty to avoid water leakage and ensure they are connected securely.
4. Keep the parts of this product away from children to avoid risk of choking.
5. The installation of this product should be carried out by professionals with sufficient related experience and knowledge.
6. Don't use corrosive detergent to clean this product.
7. Check at regular intervals to ensure that the installation is not leaking.
8. Always switch off the main water supply when disassembling the product.
9. Install the product according to the local installation regulations.
10. It is recommended to wear a pair of gloves when carrying out the installation.

Popping Up the Drain Top



Press the drain on the top and its top will pop up.

Note



Not Necessary

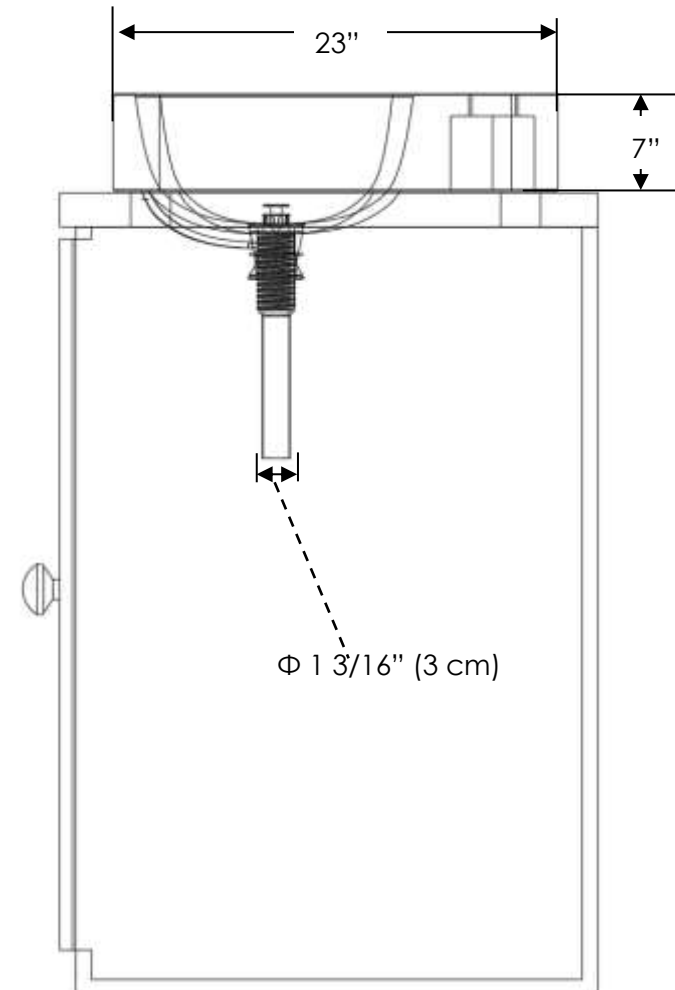
It is not necessary for the overflow hole of the sink to align with the drain hole.

Specifications

Overall Dimensions (L x W x H)

23" x 18" x 7" (59 x 46 x 17 cm)

Rough-in Drawing



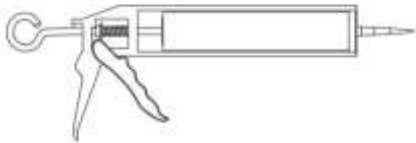
Tools Required (Not included)



Electrical Driller



Teflon Tape



Silicone Sealant



Pliers

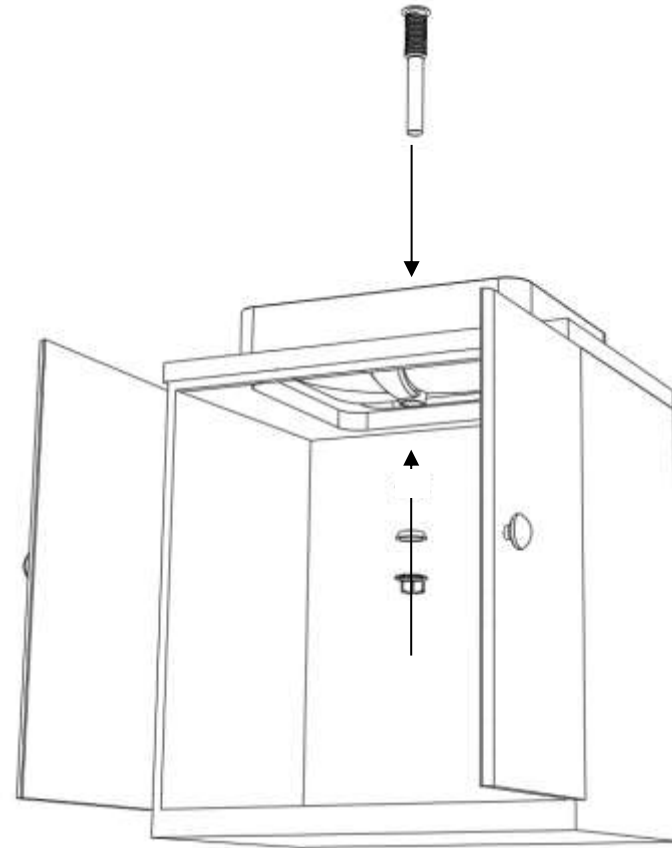


Adjustable Wrench



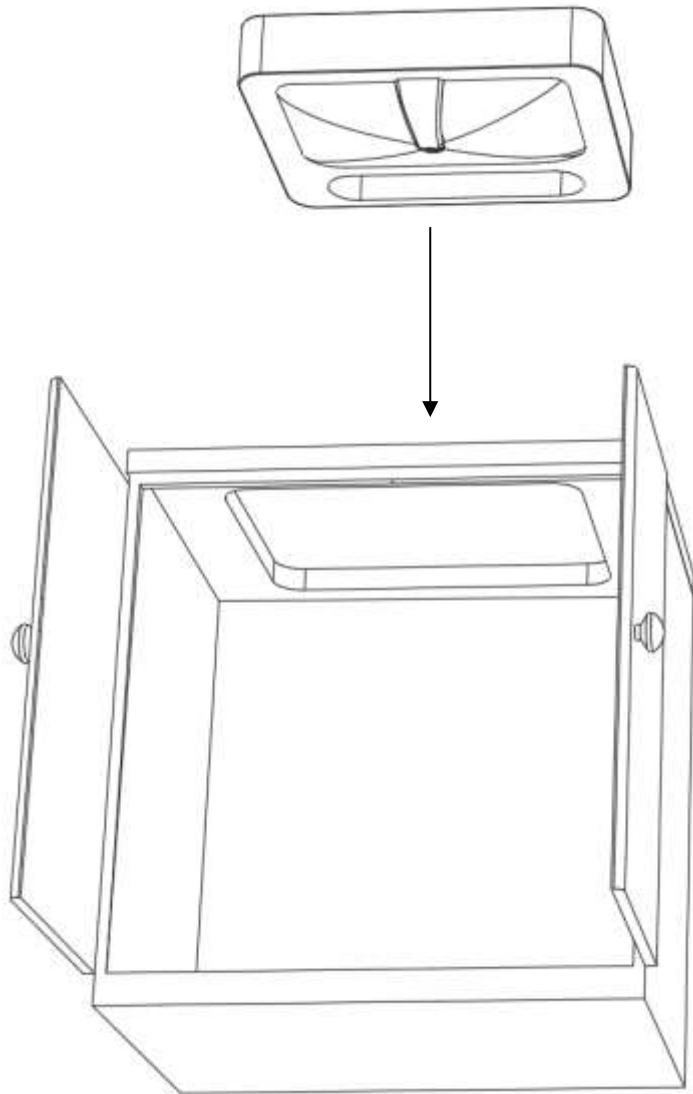
Pencil

5



Reinstall the iron nut, plastic gasket and the drain onto the vessel sink to secure the vessel sink on the cabinet. Ensure the iron nut is fastened securely.

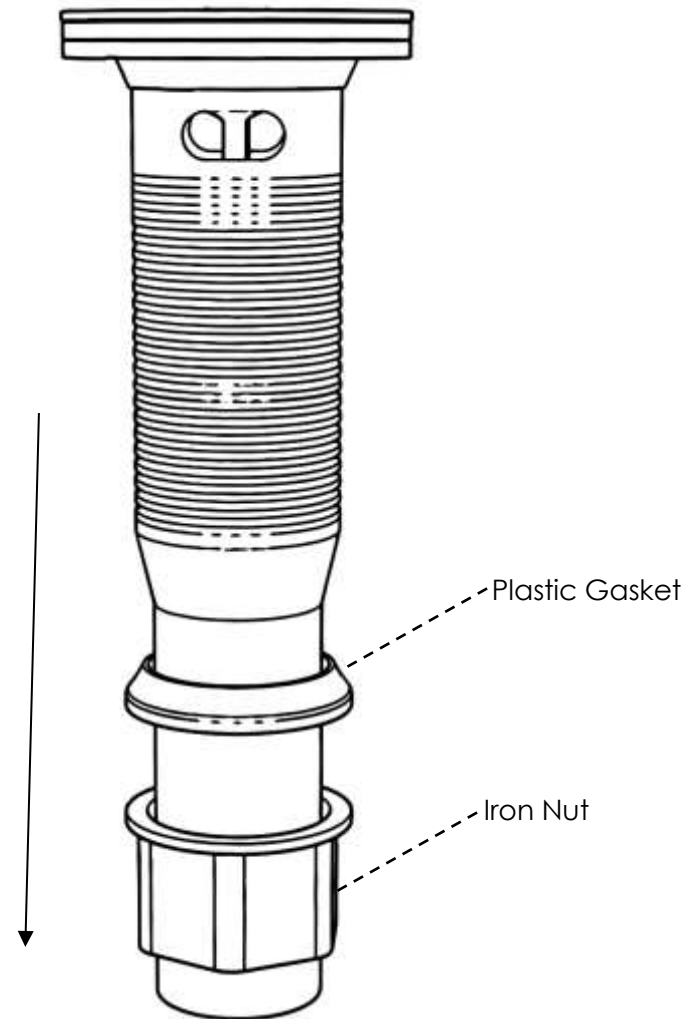
4



Install the sink on the top of your cabinet.

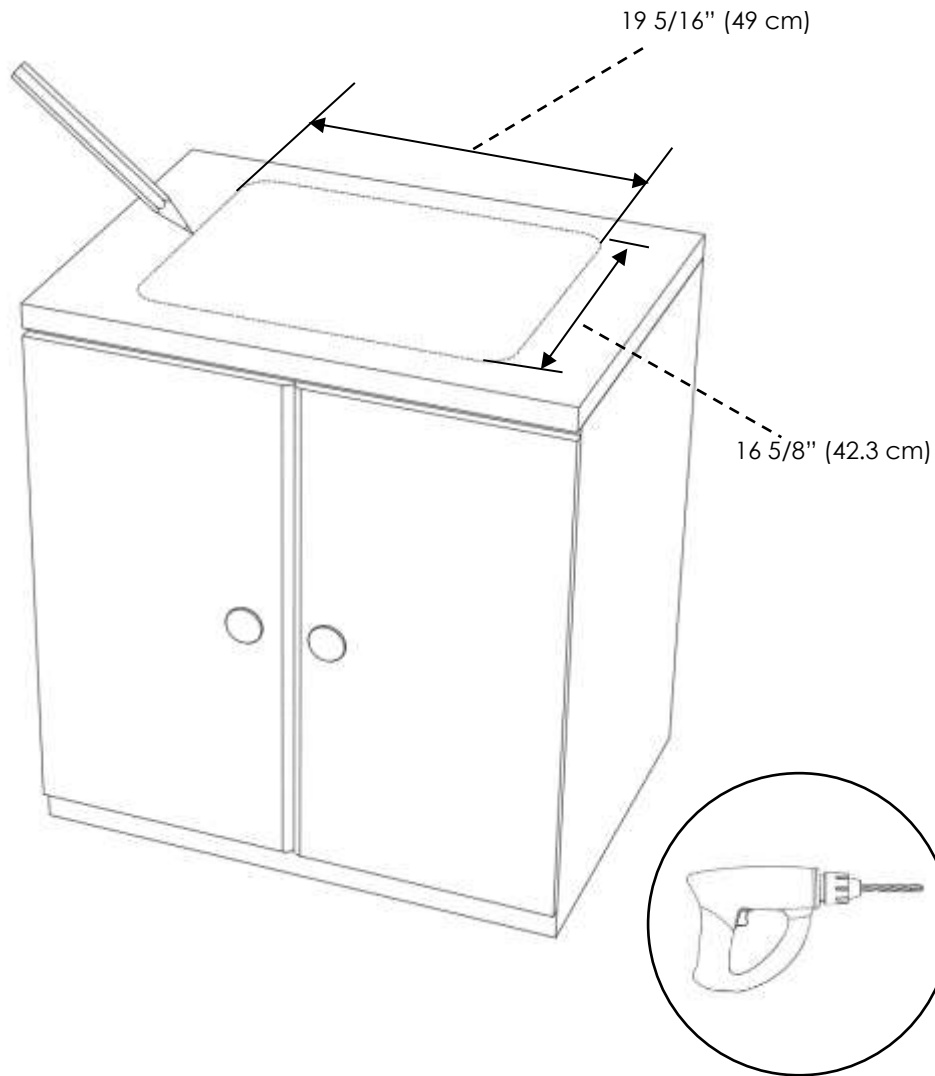
Installation Instructions

1



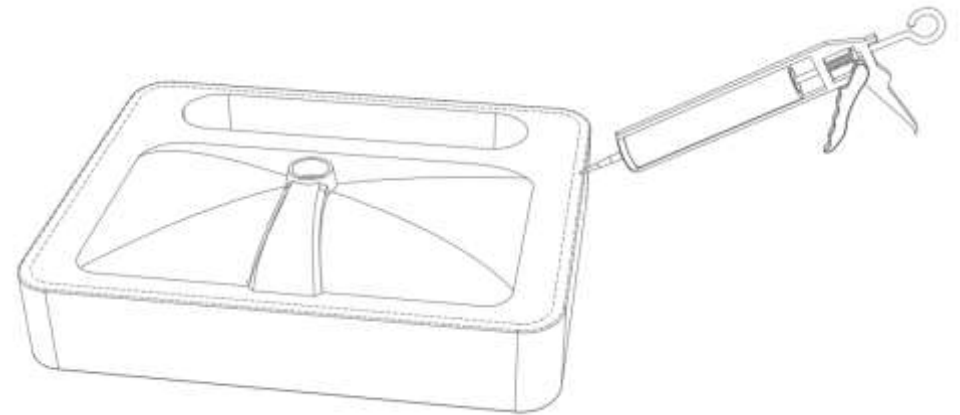
Separate the iron nut and the plastic gasket from the drain.

2



1. Use a pencil to outline the corresponding hole of sink on the cabinet.
2. Drill the hole.

3



Apply some silicone sealant around the edge of the sink bottom.