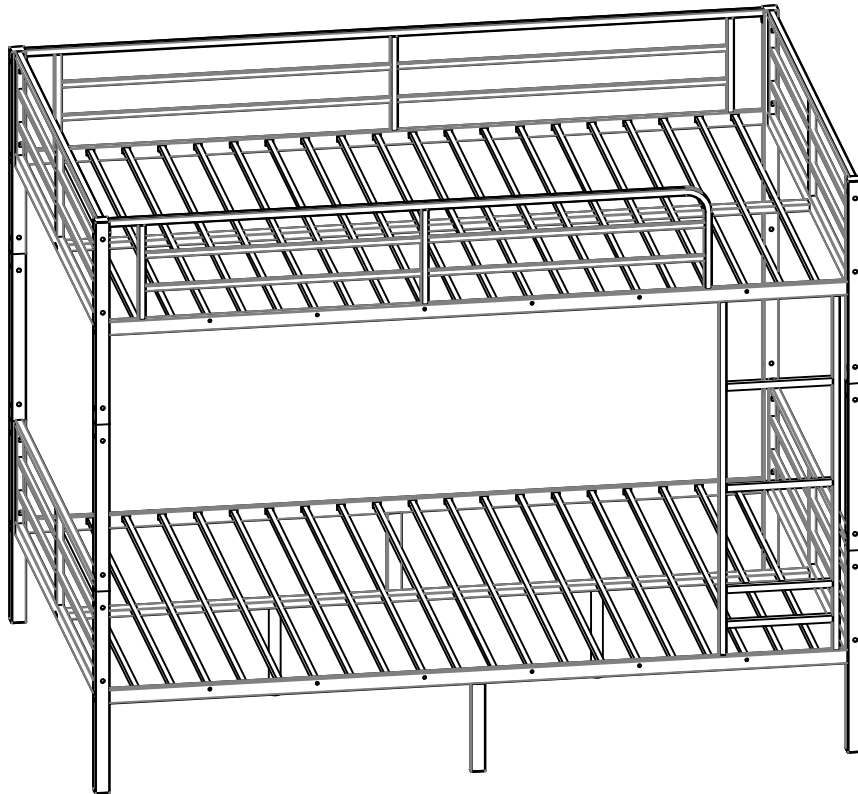


# W00129

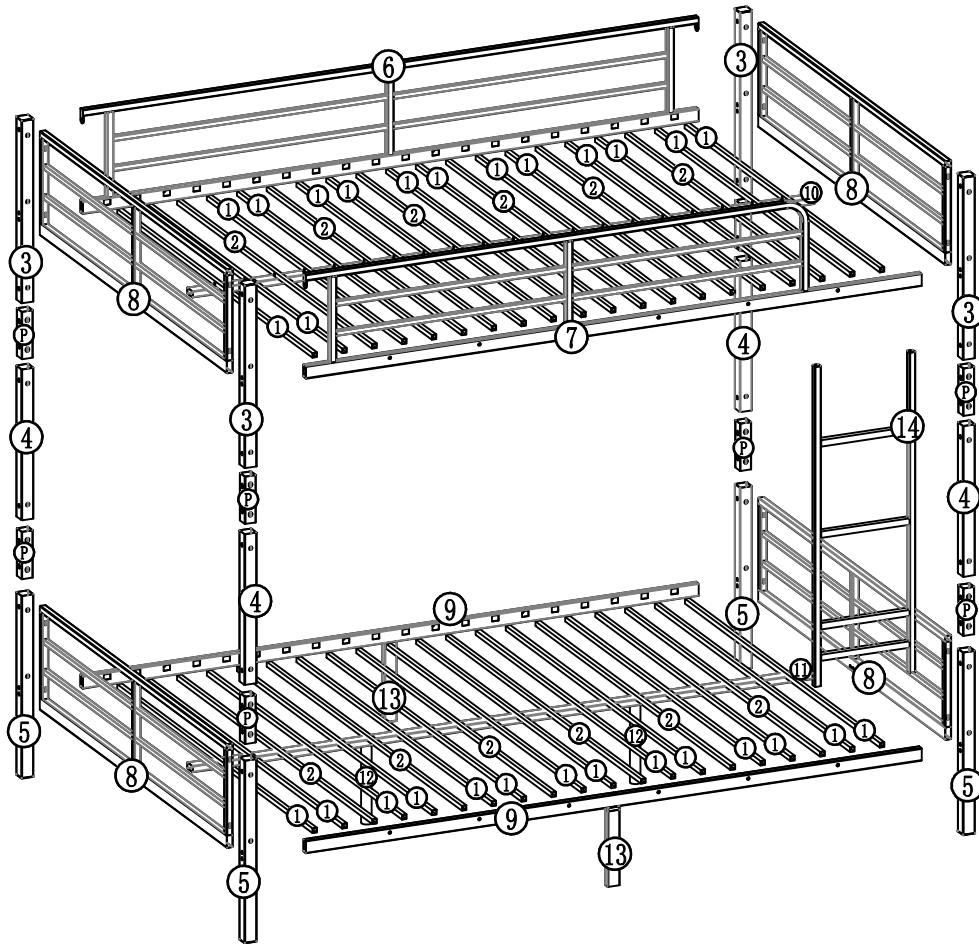
## Full XL- Full XL BED ASSEMBLY INSTRUCTIONS



### SAFETY WARNINGS AND GENERAL NOTES:

1. Follow the information on the warnings on the bunk bed end structure and on the carton. Do not remove the warning label from the bed.
  2. Always use the recommended size mattress on mattress support, or both, to help prevent the likelihood of entrapment or falls.
  3. Do not allow children under 6 years of age to use the upper bunk.
  4. Periodically check and ensure the guardrail, ladder and other components are in their proper position, free from damage, and all connectors are tight.
  5. Do not allow horseplay on or under beds.
  6. Always prohibit jumping on the bed.
  7. Prohibit more than one person on upper bunk.
  8. Always use the ladder for entering and leaving the upper bunk.
  9. Do not use substitute parts. Contact the manufacturer or dealer for replacement parts.
  10. Use of a night-tight may provide added safety precaution for a child using the upper bunk.
  11. Always use guardrails on both long sides of the upper bunk.
  12. If the bunk bed will be placed next to a wall, the guardrail that runs the full length of the bed should be placed against the wall to prevent entrapment between the bed and the wall.  
The use of water or sleep flotation mattresses is prohibited.
  13. **STRANGULATION HAZARD**-Never attach or hang items to any part of the bunk bed that are not designed for use with the bed; for example, but not limited to, hooks, belts and jump ropes.
  14. Keep these instructions for future reference.
  15. We recommend assembling your bunk bed on the shipping carton to protect your floor or carpet.
  16. Be certain all staples are out of the box before beginning assembly on the shipping carton.
  17. USE ONLY MATTRESSES WHICH ARE AS THE TABLE BELOW ON UPPER AND ON LOWER BUNKS.
- |  |               |              |                  |
|--|---------------|--------------|------------------|
| <b>Down bed</b>                              |               |              |                  |
| <b>Mattress type</b>                         | <b>Length</b> | <b>Width</b> | <b>Thickness</b> |
| Fu11 XL Standard                             | 79"-80"       | 53-54"       | 8"               |
| <b>Up bed (bunk bed and tribed included)</b> |               |              |                  |
| <b>Mattress type</b>                         | <b>Length</b> | <b>Width</b> | <b>Thickness</b> |
| Fu11 XL Standard                             | 79"-80"       | 53-54"       | 6"max            |
18. SURFACE OF MATTRESS MUST BE AT LEAST 5"(127MM) BELOW THE UPPER EDGE OF GUARDRAILS.
  19. Replacement Parts:  
Replacement Parts, including additional guardrails, may be obtained from any of our (Shenzhen Yuefeng Zhiqi Technology Co., Ltd) dealers.

# Bed parts view



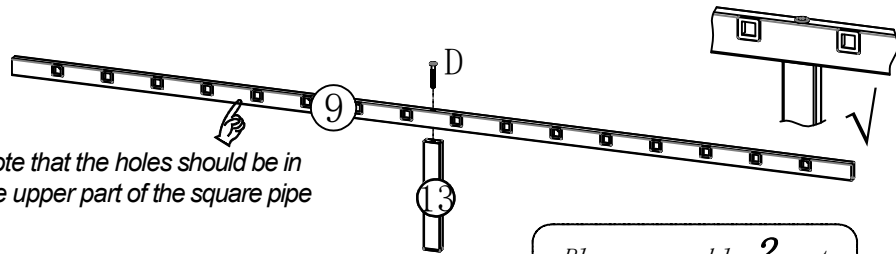
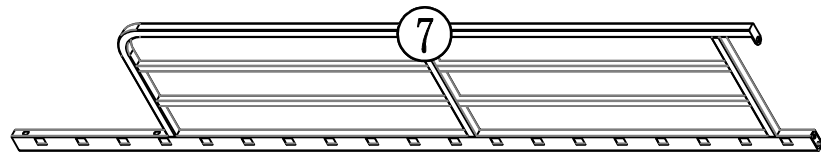
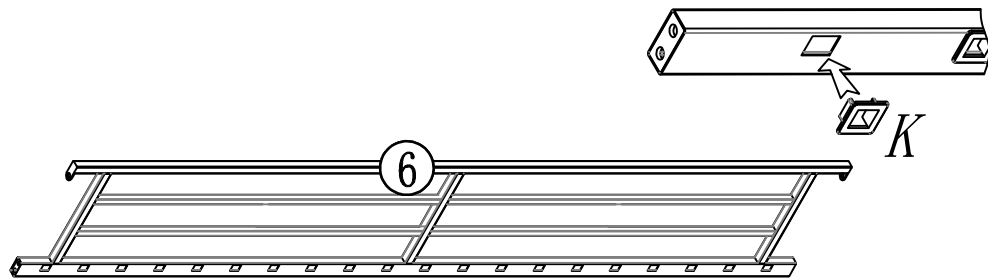
# Part List

1-28pcs	2-12pcs	3-4pcs	4-4pcs
5-4pcs	6-1pcs	7-1pcs	8-4pcs
9-2pcs	10-1pcs	11-1pcs	12-2pcs
13-2pcs	14-1pcs		

# Part List

 C 8*35-39PCS	 D 8*55-40PCS	 E 6*30-34PCS	 K 80PCS	 F 8*15-47PCS
 P (Installed)	 O (Installed)	 U 2PCS	 Z 2PCS	 L 8PCS
			 T 4PCS	 P 8PCS

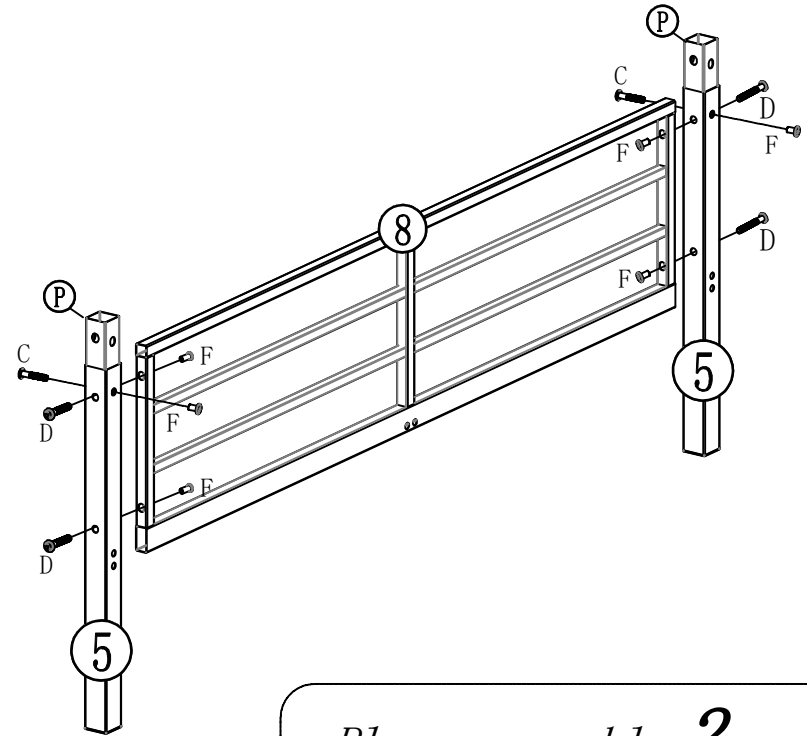
Step 1: Install part #K to parts #6 and #7 and Use hardware L and D to connect #9 and #13 together.



Note that the holes should be in the upper part of the square pipe

Please assemble 2 sets

Step 2: Use hardware L, D, C, P, and F to connect #5, and #8 together.



Please assemble 2 sets



6-1pcs



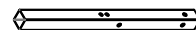
9-2pcs



K  
80PCS



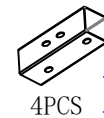
L



5-4pcs



8-2pcs



P  
4PCS



F  
8\*15  
12PCS



C  
8\*35  
4PCS

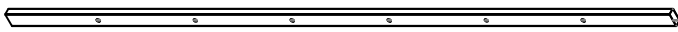
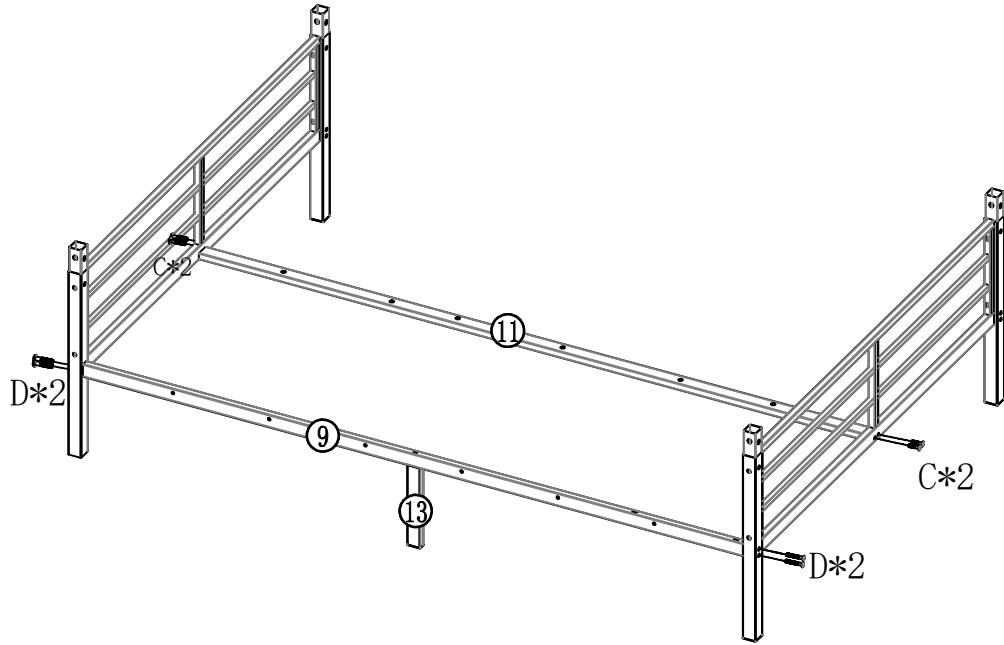


D  
8\*55  
8PCS



L

Step 3: Use hardware L, D, and C to connect #11, and #9 together.



11-1pcs



9-1pcs



D  
8\*55  
4PCS

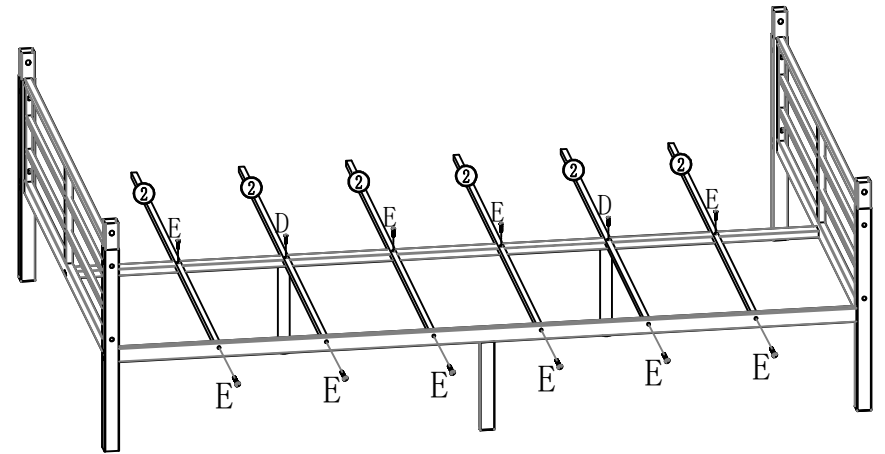


C  
8\*35  
4PCS



L

Step 4: Use hardware L, D, and E to connect #2 together.



2-6pcs



E  
6\*30  
10PCS

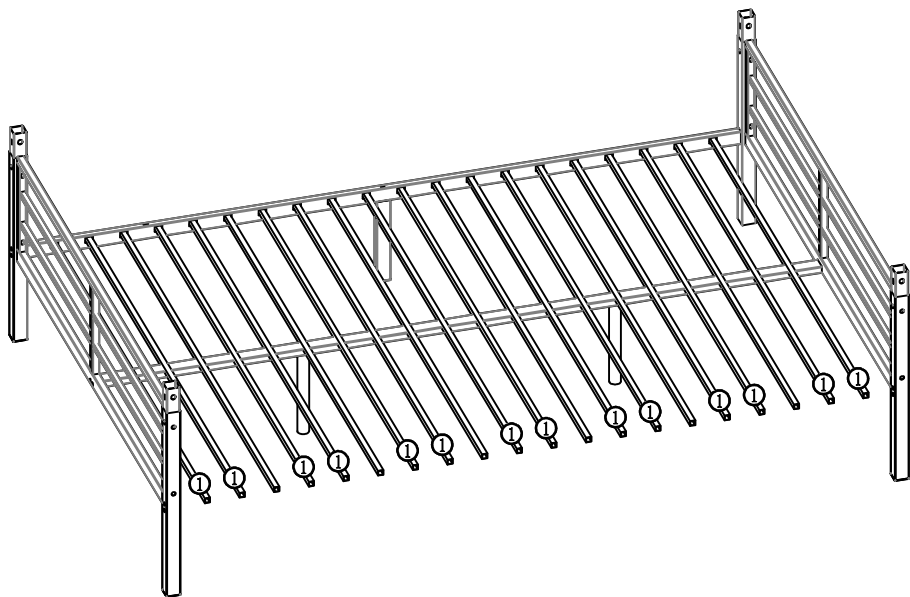


D  
8\*55  
2PCS



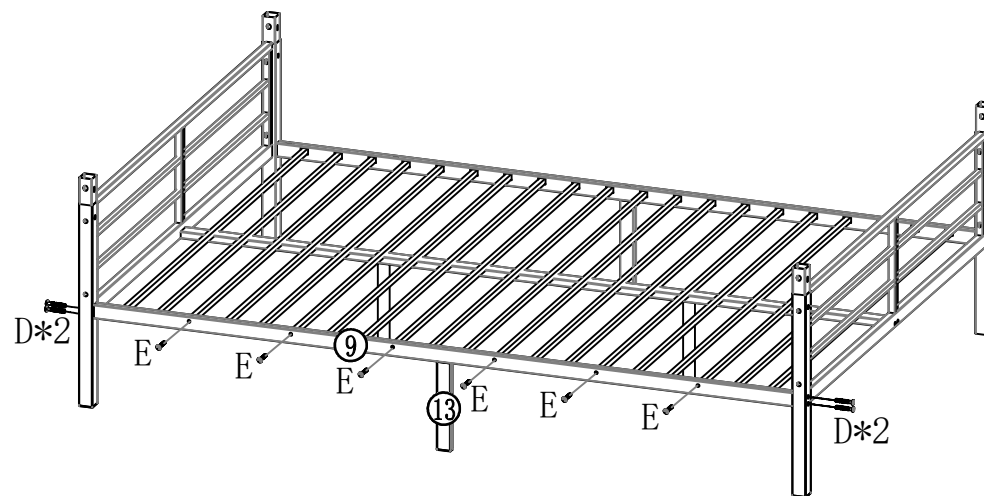
L

Step 5: Connect #1 to the previously installed components.



1-14pcs

Step 6: Use hardware L, D, and E to connect #9, and #13 together.



9-1pcs



E  
6\*30  
6PCS

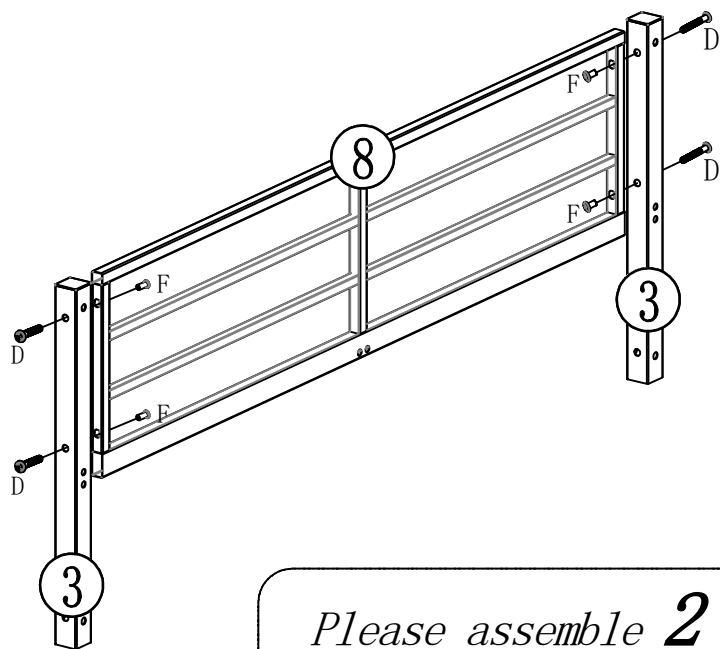


D  
8\*55  
4PCS



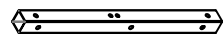
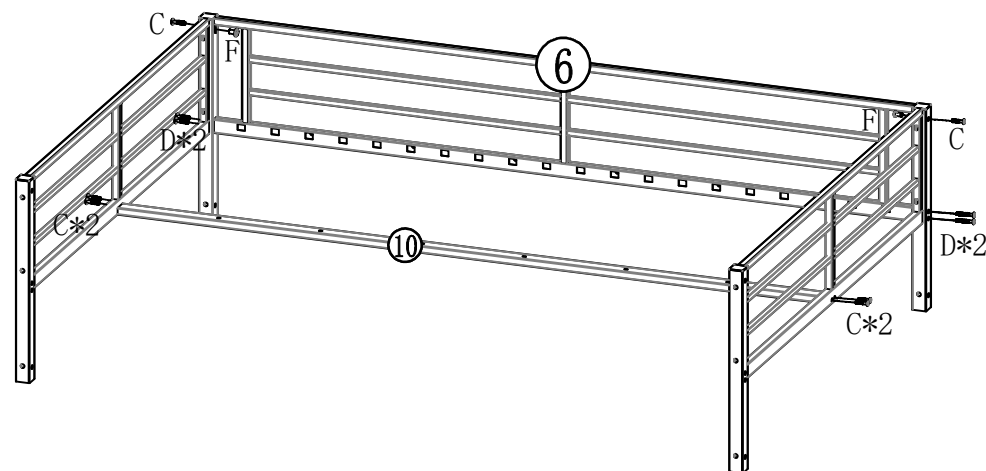
L

Step 7: Use hardware L, D, and F to connect #3, and #8 together.

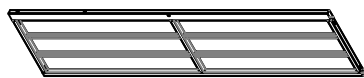


Please assemble **2** sets

Step 8: Use hardware L, D, C, and F to connect #6, and #10 together.



3-4pcs



8-2pcs



D  
8\*55  
8PCS



F  
8\*15  
8PCS



L



6-1pcs



10-1pcs



C  
8\*35  
6PCS



F  
8\*15  
2PCS

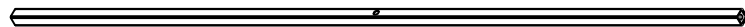
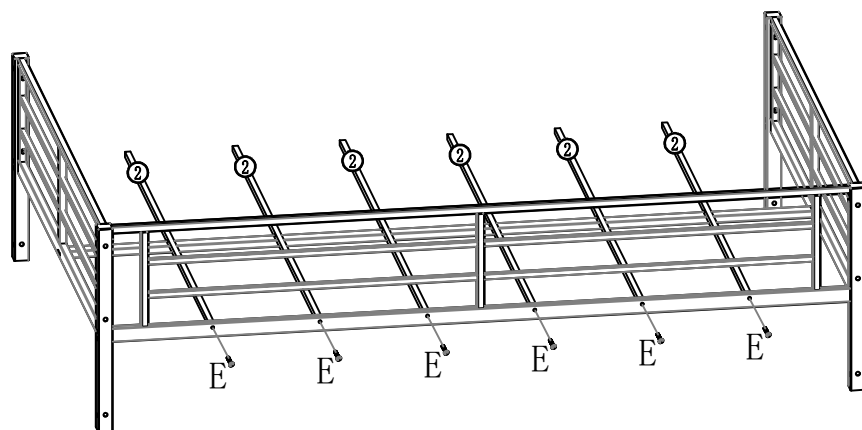


D  
8\*55  
4PCS



L

Step 9: Use hardware L. and E to connect #2 together.



2-6pcs

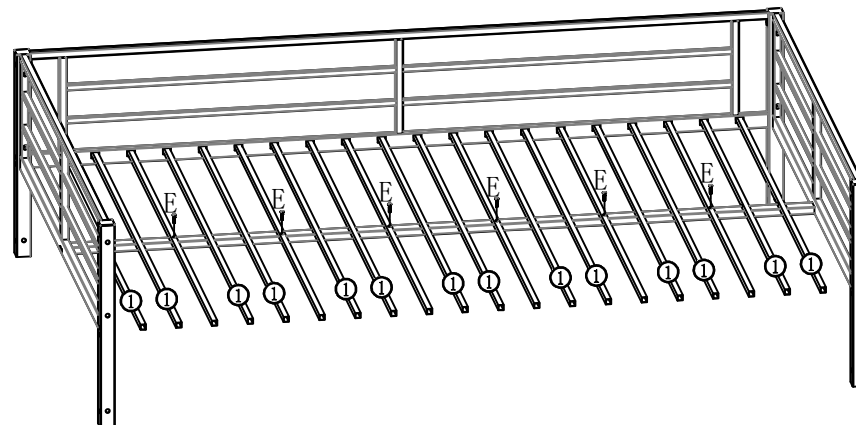


E  
6\*30  
6PCS



L

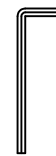
Step 10: Connect #1 to the previously installed components.



1-14pcs

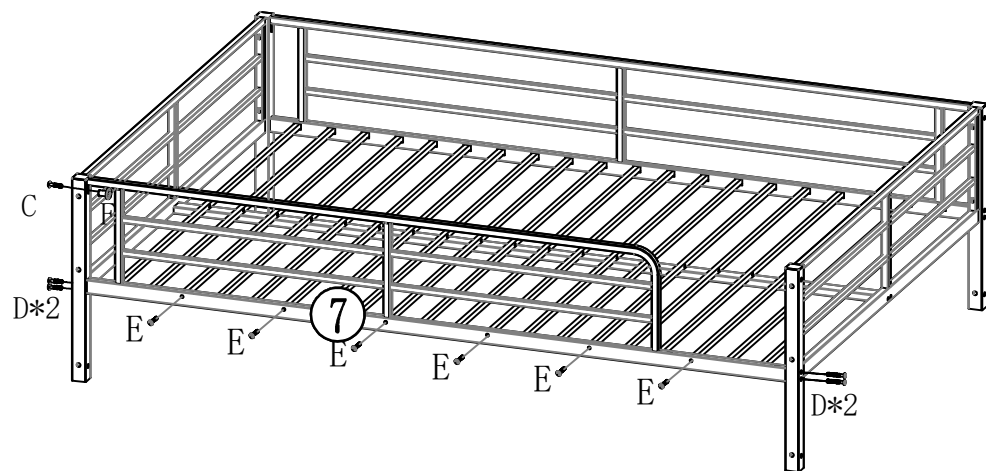


E  
6\*30  
6PCS

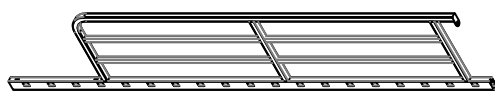
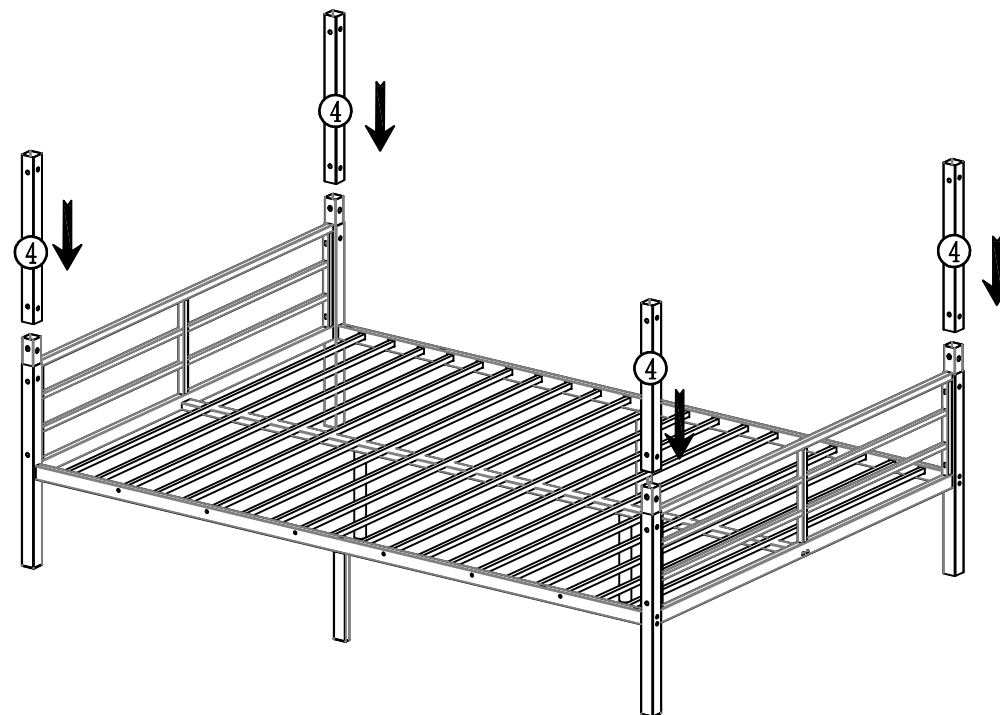


L

Step 11: Use hardware L, D.C.E. and F to connect #7 together.



Step 12: Insert the component 4 into the fitting P as shown in the figure.



7-1pcs



C  
8\*35  
1PCS



E  
6\*30  
6PCS



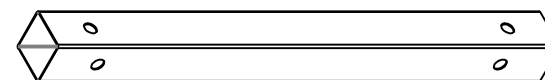
D  
8\*55  
4PCS



F  
8\*15  
1PCS

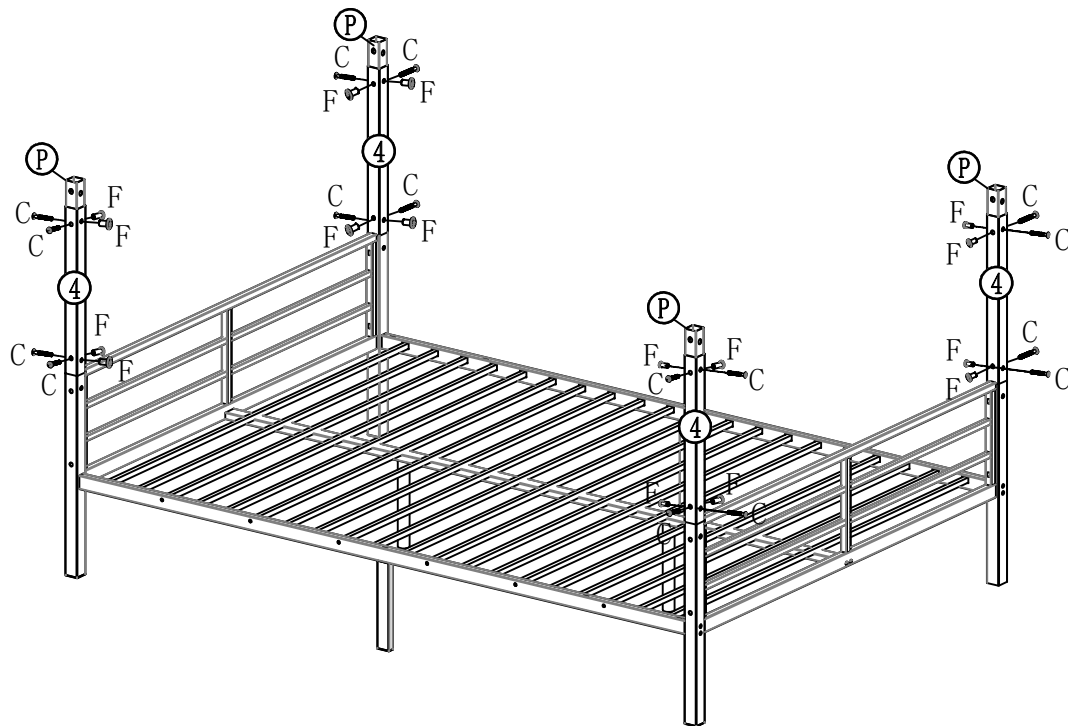


L

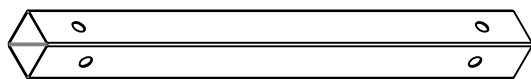
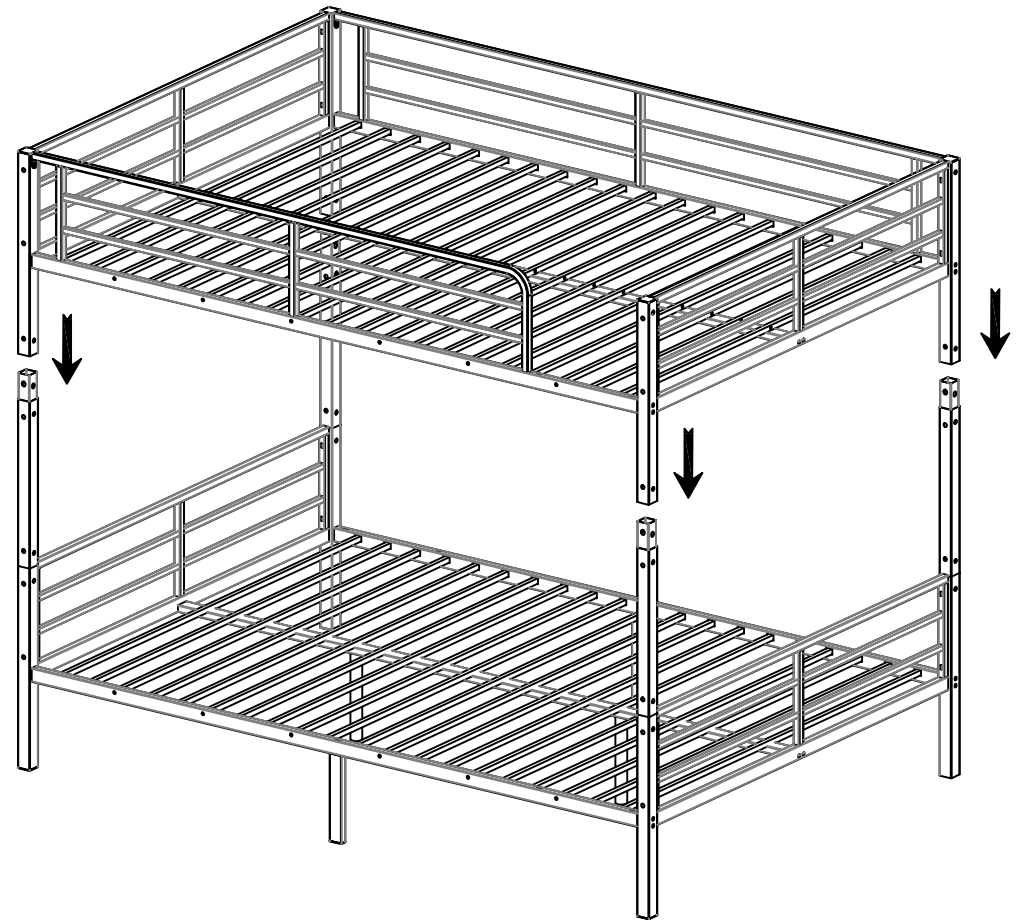


4-4pcs

Step 13: Use hardware L, P, C, and F to connect #4 together.



Step 14: Insert the upper vertical column into the connector code P as shown in the figure.



4-4pcs



4PCS P



C  
8\*35  
16PCS

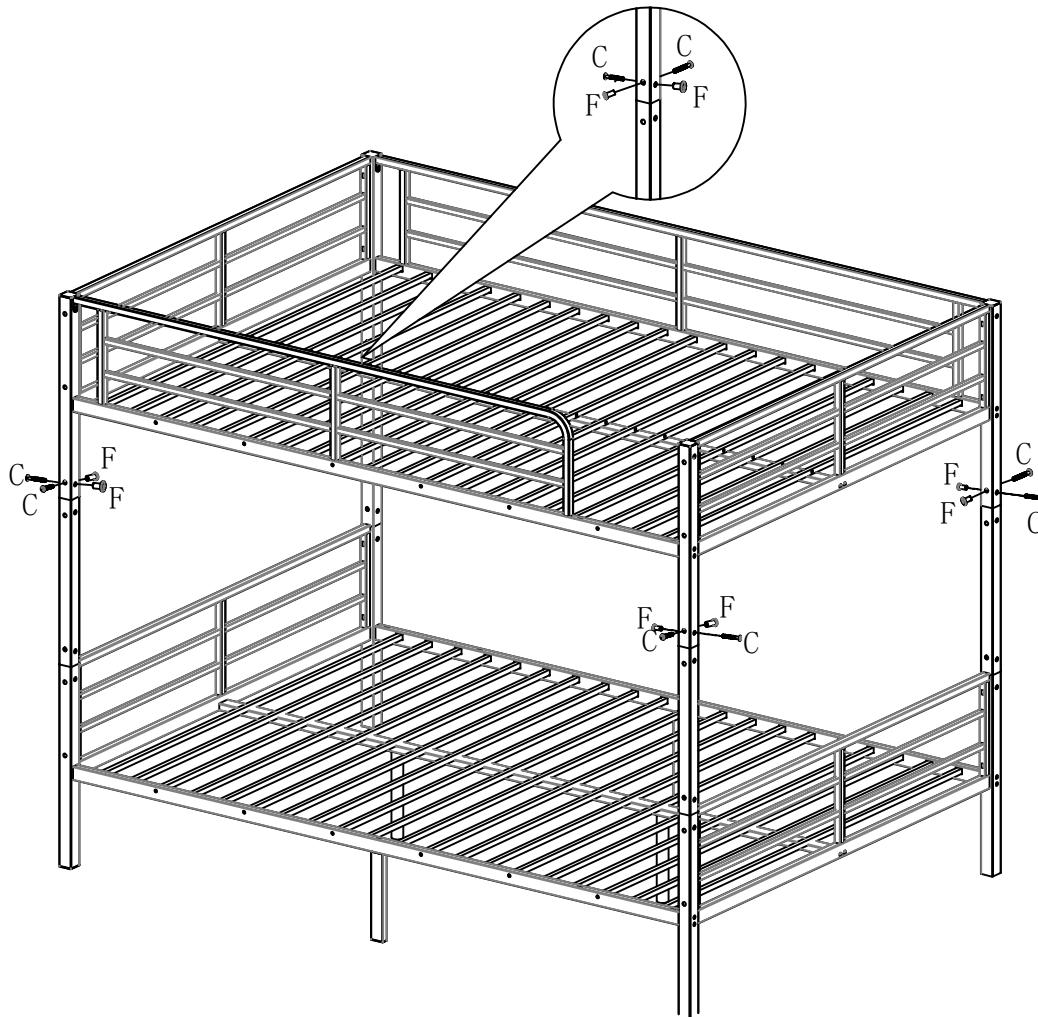


F  
8\*15  
16PCS



L

Step 15: Use hardware L, C, and F to secure the upper and lower sections



C  
8\*35  
8PCS

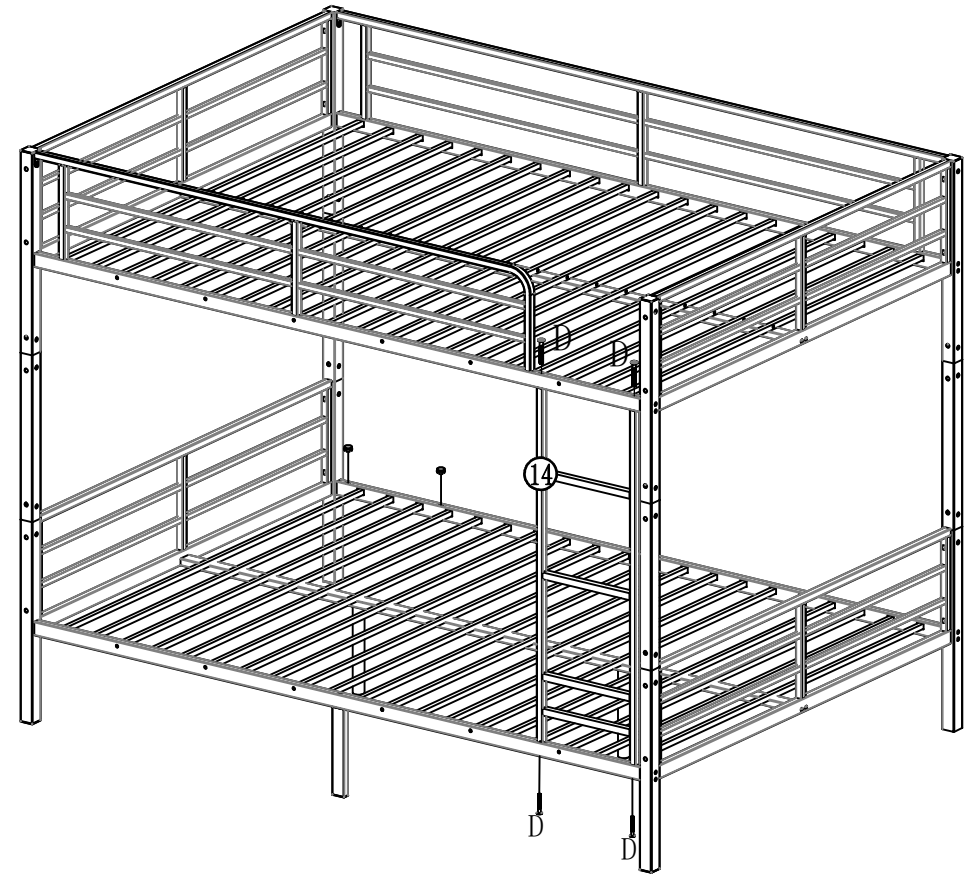


F  
8\*15  
8PCS



L

Step 16: Use hardware L, Z and D to connect #14 together.



14-1pcs



Z 2PCS

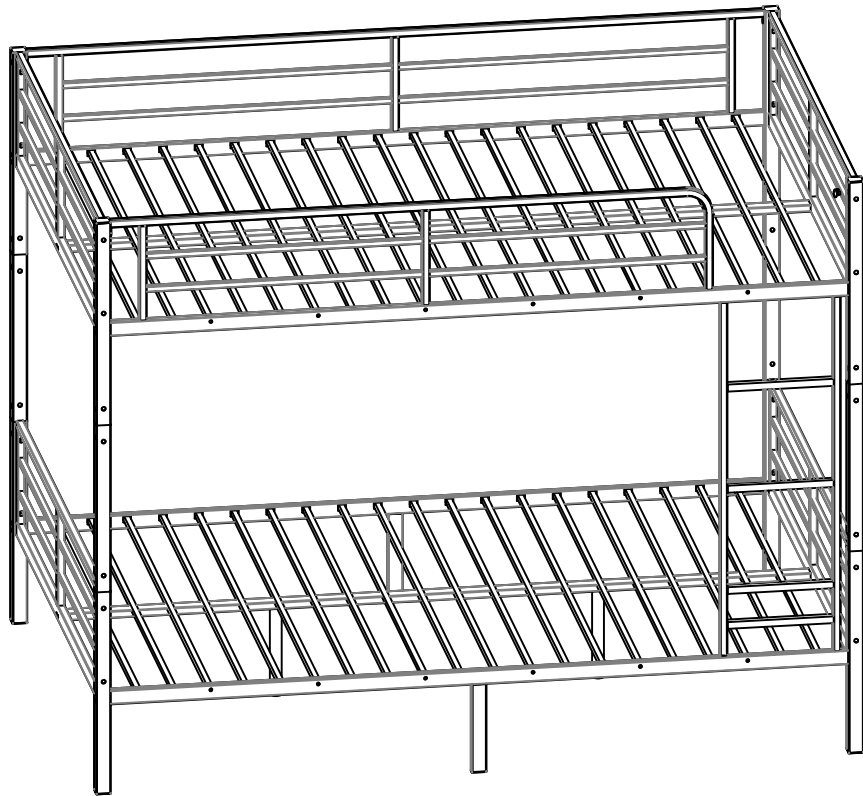


D  
8\*55  
4PCS

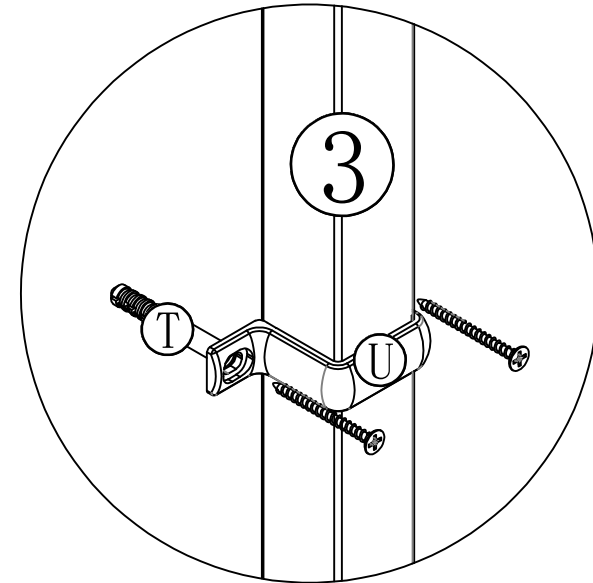


L

# Completed



Use Z to plug  
unused holes  
Z\*2



*Please tighten all screws before use, thank you.*

*Tips:  
If you feel that the bed  
is a little wobbly then  
please use the parts "U"  
and "T" for reinforcement*