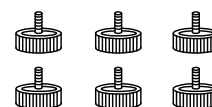
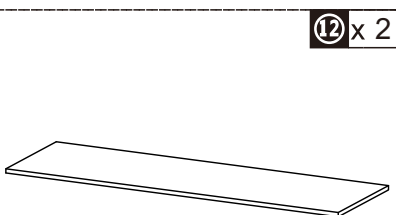
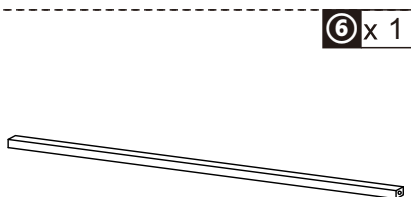
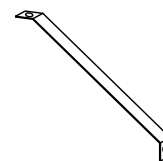
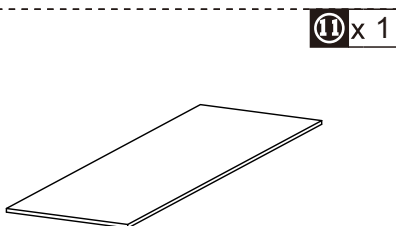
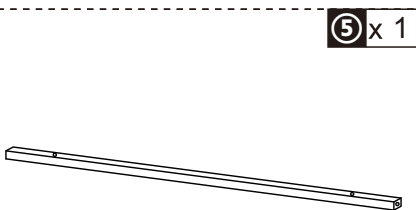
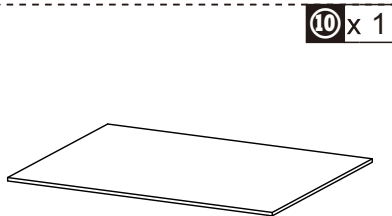
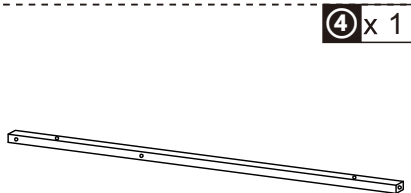
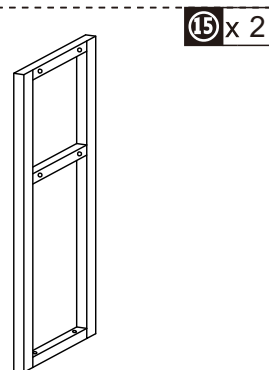
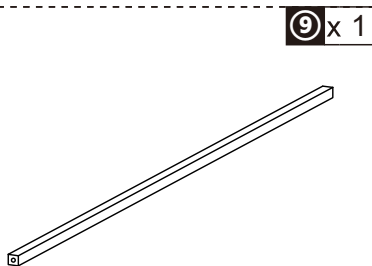
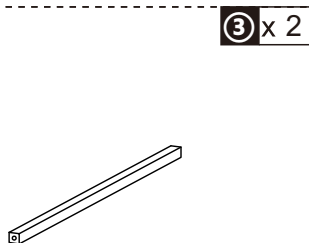
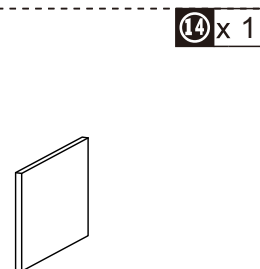
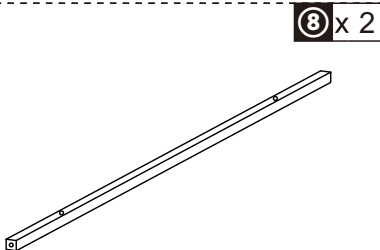
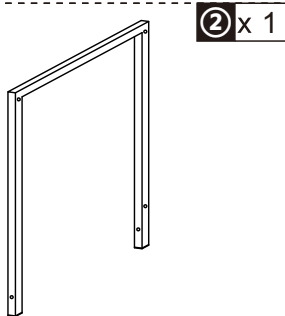
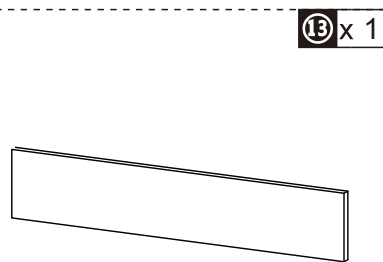
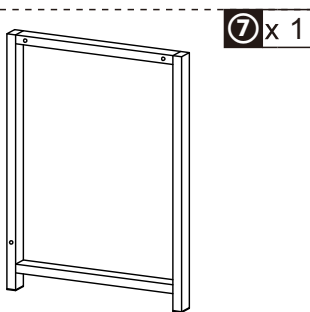
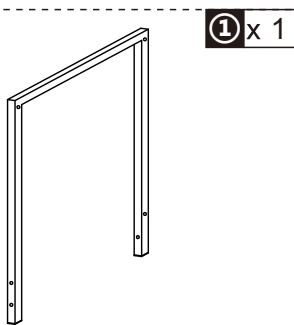
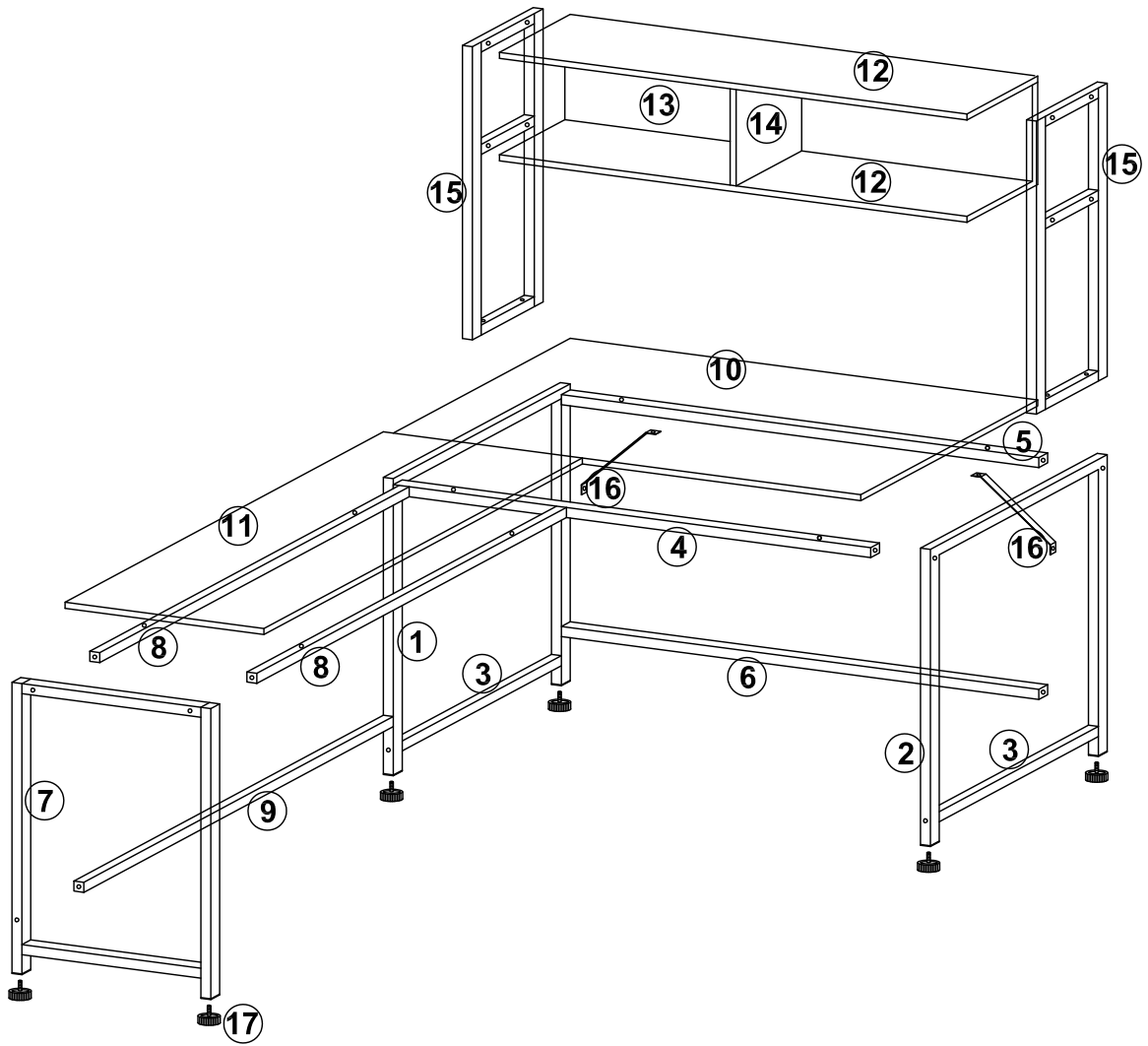


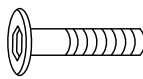
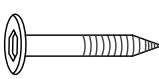
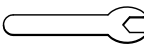
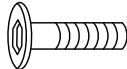
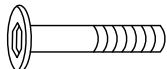
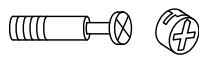
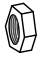

READ AND SAVE THIS INSTRUCTION FOR FUTURE USE


ASSEMBLY INSTRUCTION

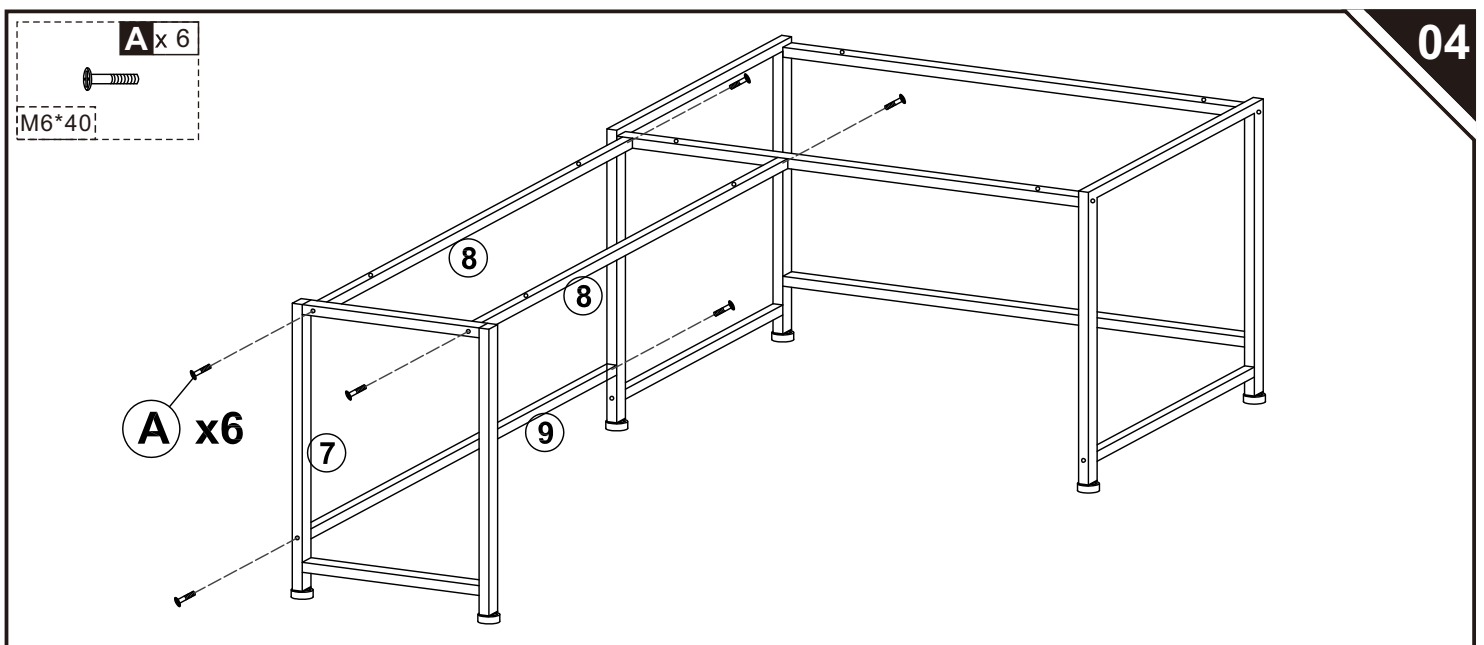
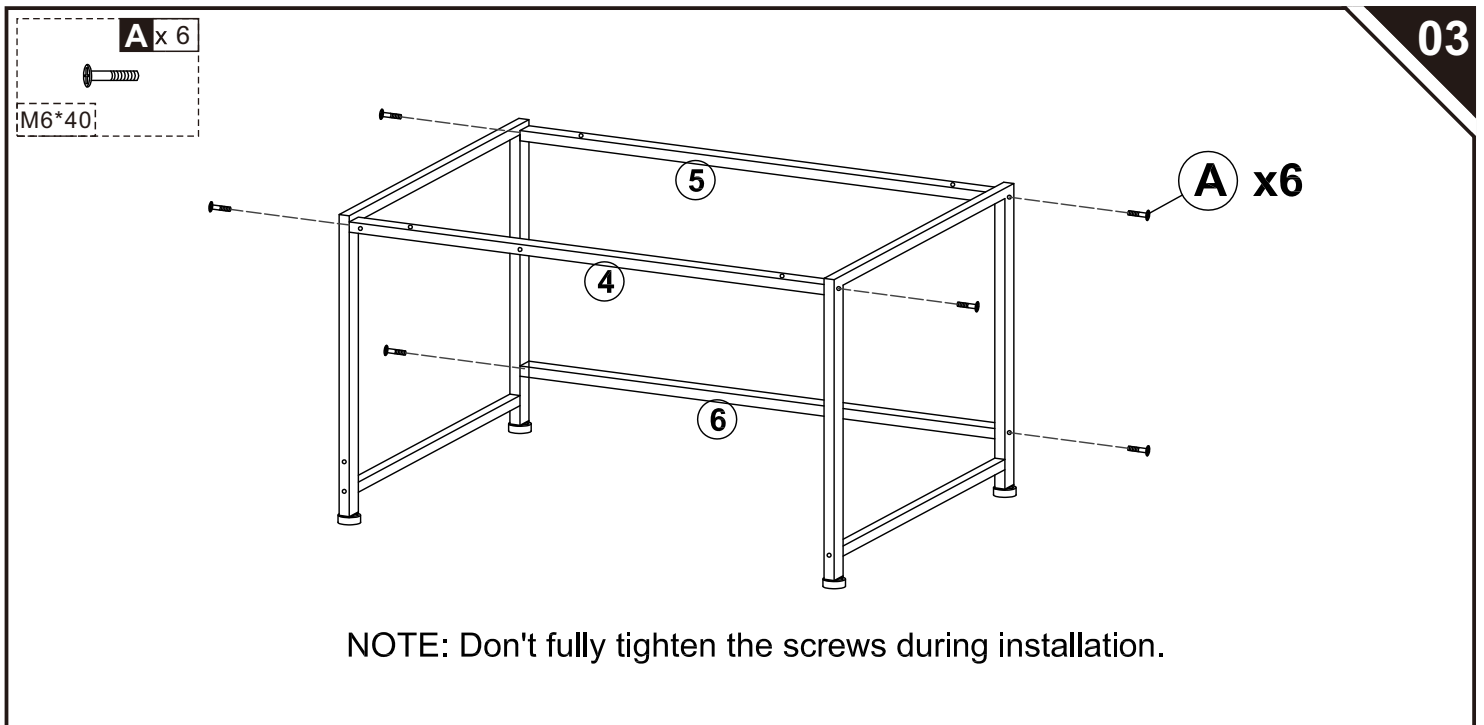
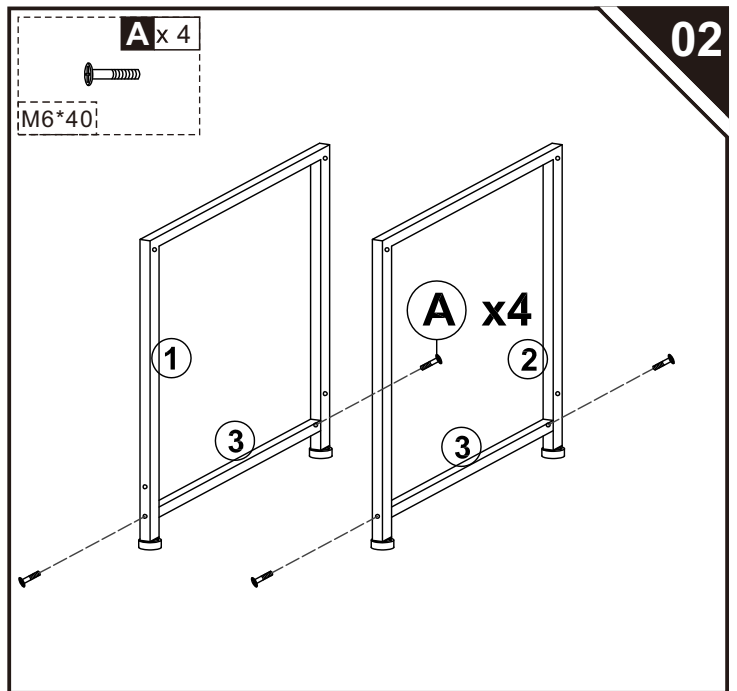
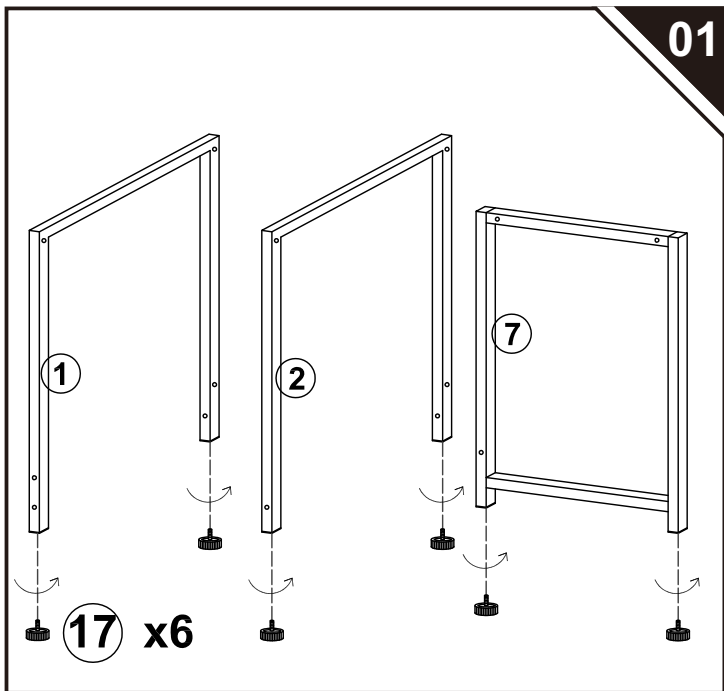




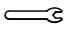
STYLE LEFT:

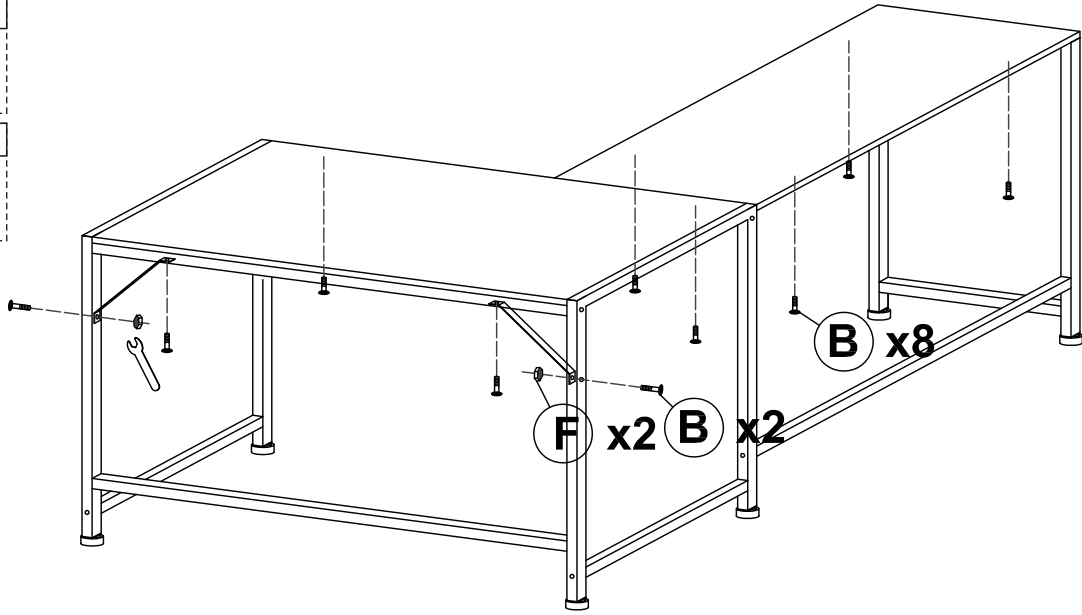


			PART LIST		
	A x 16		D x 8		G x 1
M6*40:		M5*60:			
	B x 10		E x 4		
M6*35:		M6*60:			H x 1
	C x 10		F x 6		
M6*38:					

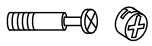
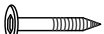
TOOLS RECOMMENDED 

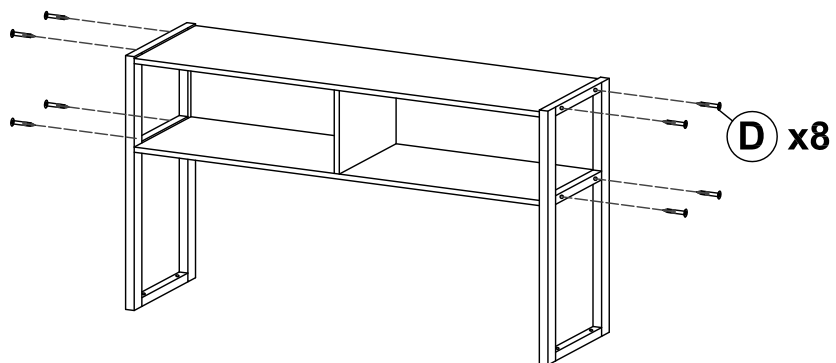
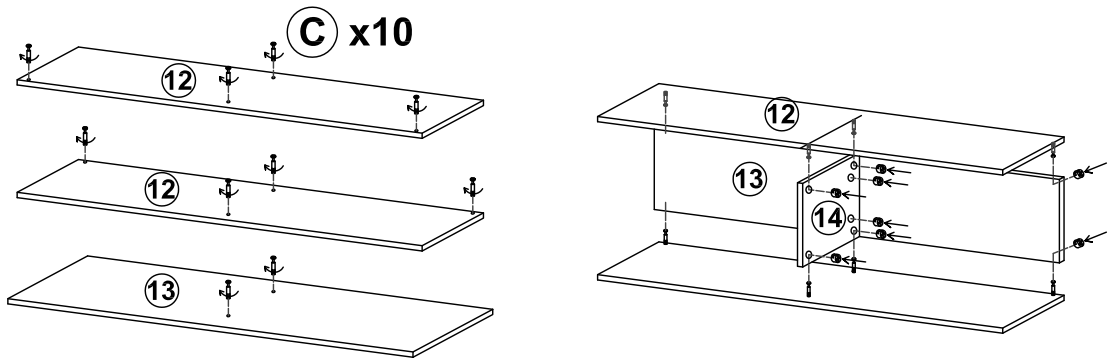


- B x10**

- M6*35**
- F x2**

- G x1**




NOTE: When installing the table top, adjust the position to make the board splicing flat, and then tighten the screws.

- C x10**

- M6*38**
- D x8**

- M5*60**



E x 4

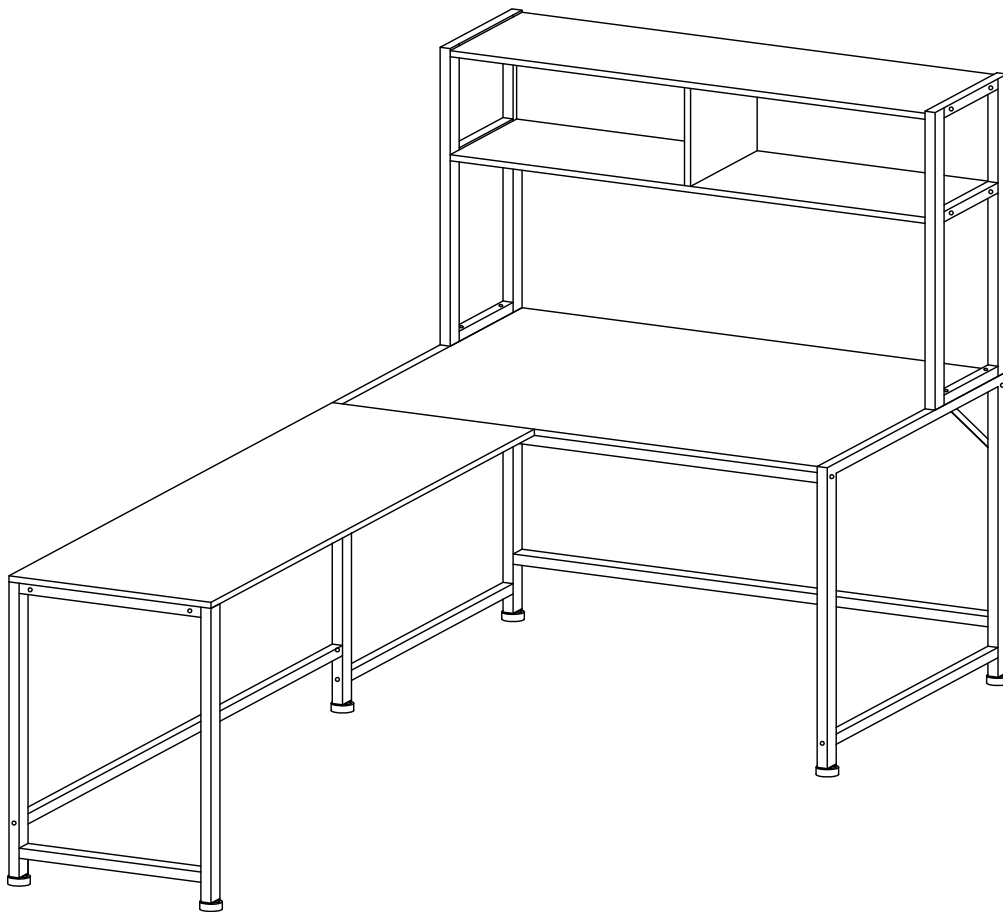
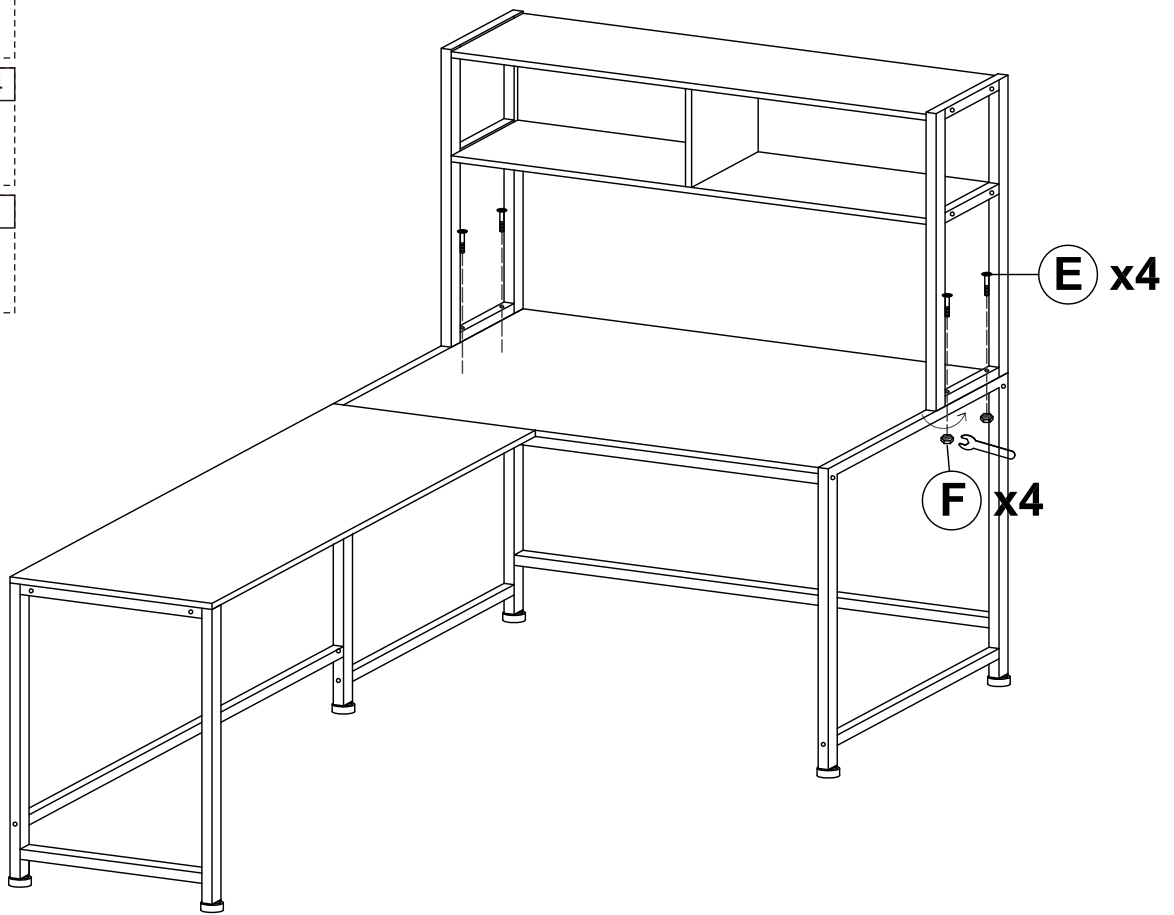


M6*65

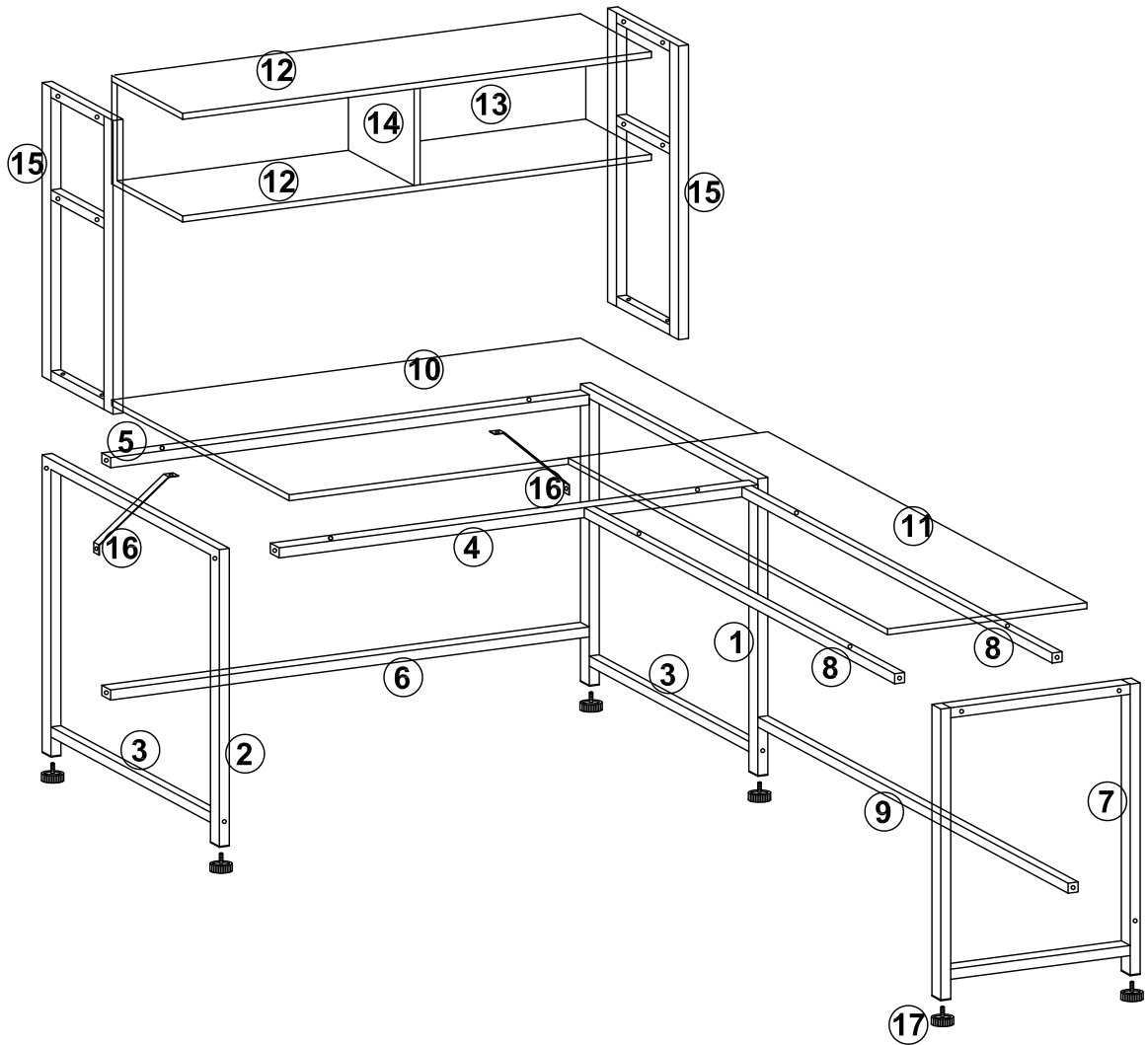
F x 4

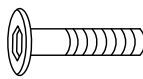
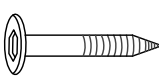
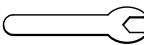
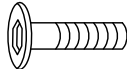
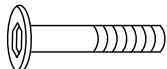

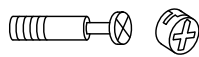
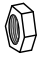


G x 1




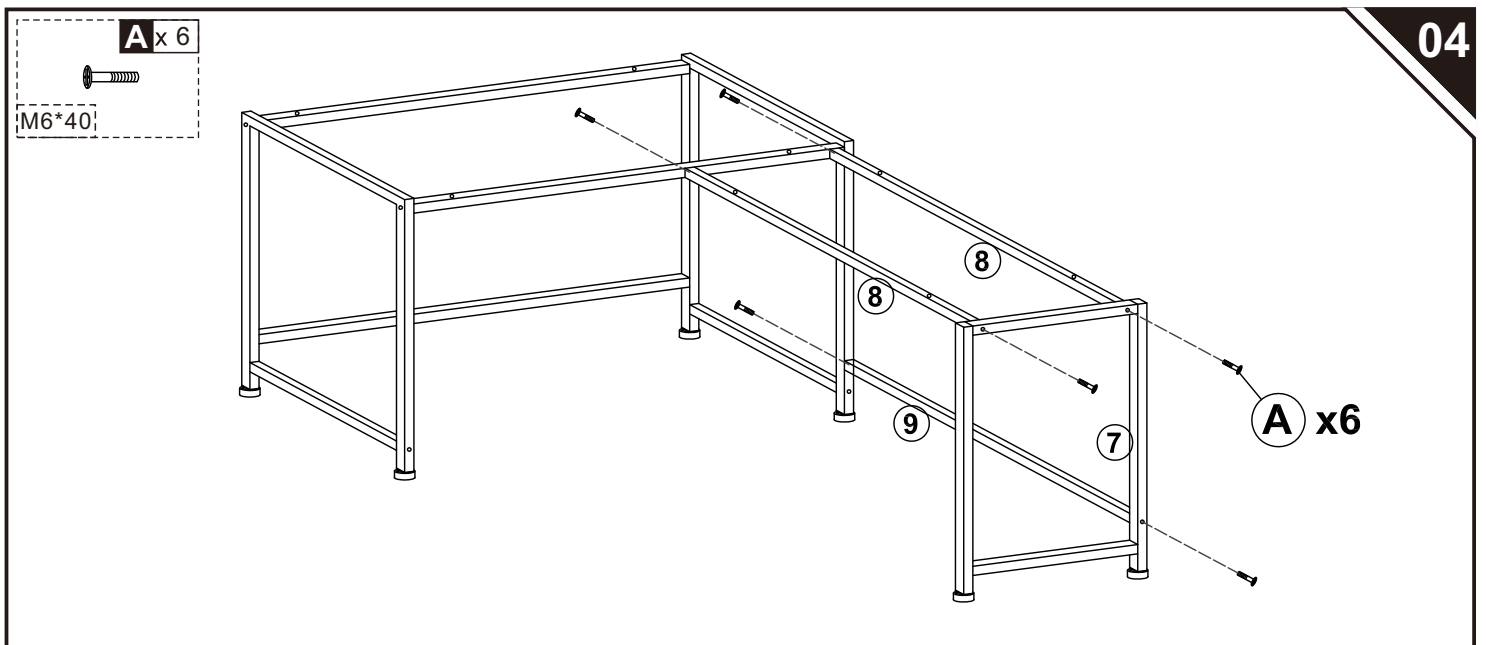
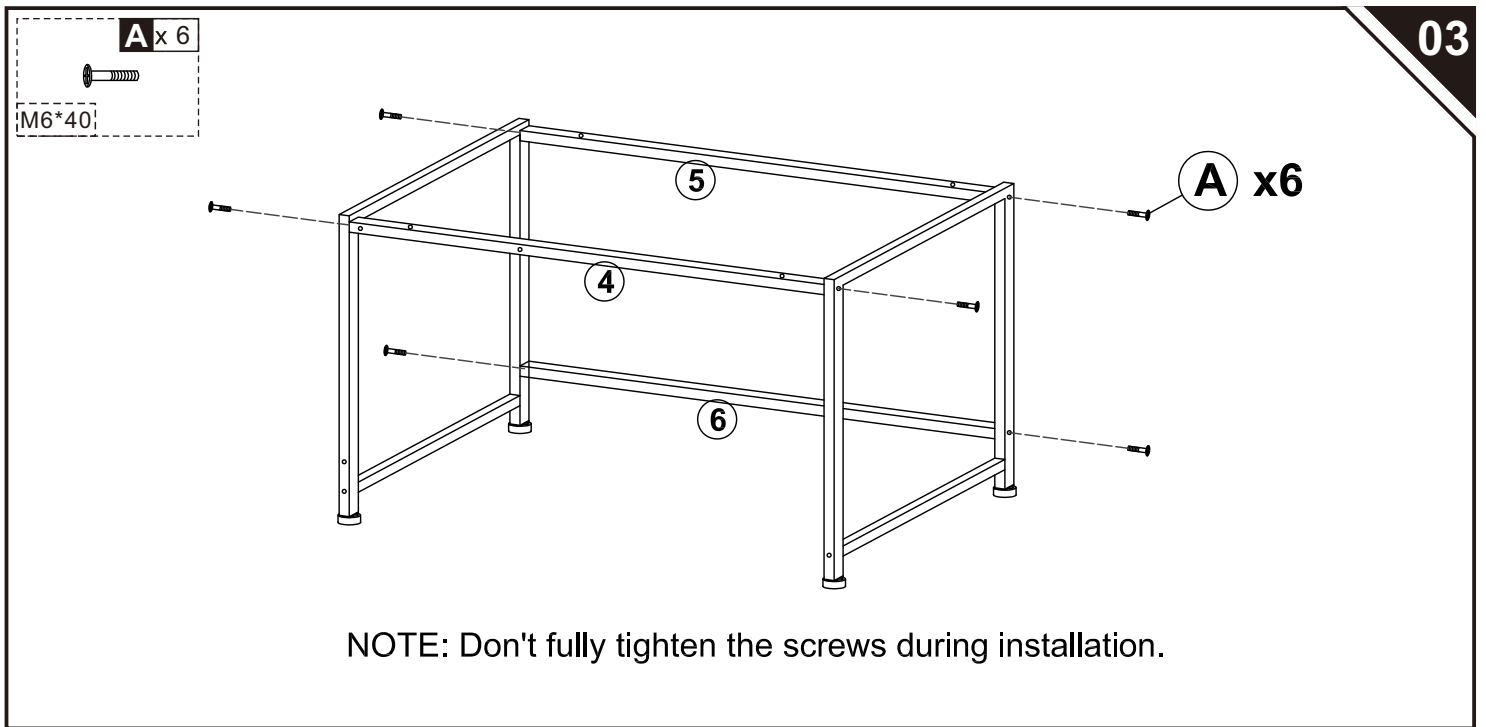
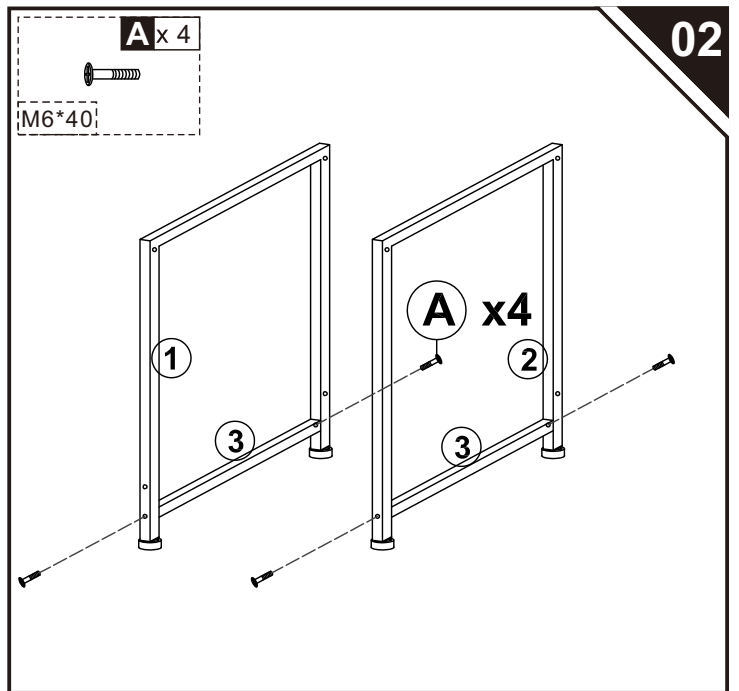
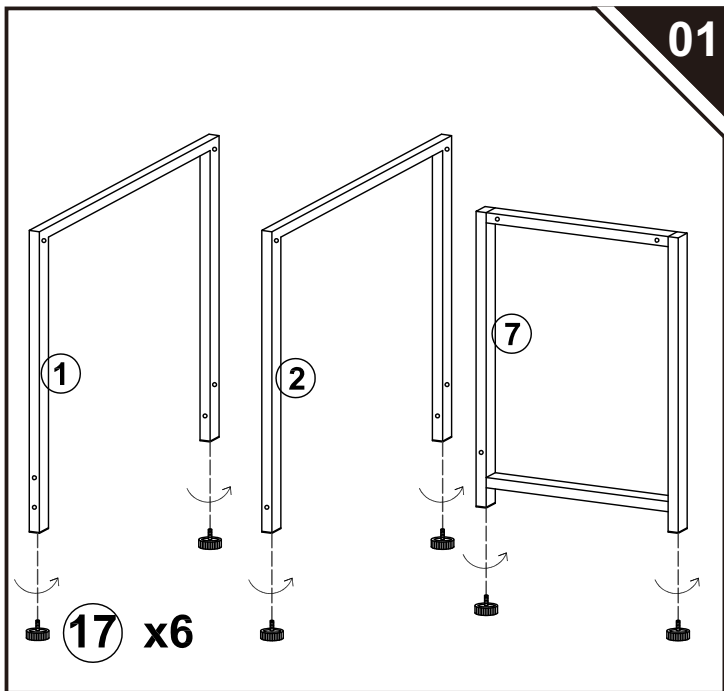
STYLE RIGHT:

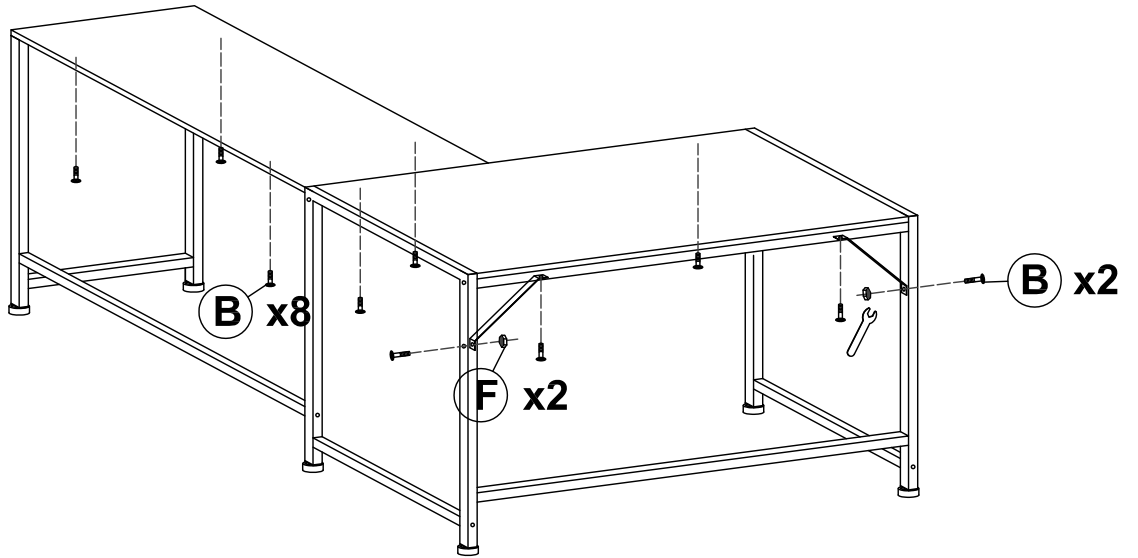
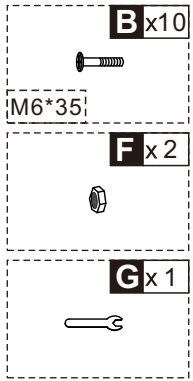


PART LIST		
 M6*40 A x 16	 M5*60 D x 8	 G x 1
 M6*35 B x 10	 M6*60 E x 4	 H x 1
 M6*38 C x 10	 F x 6	

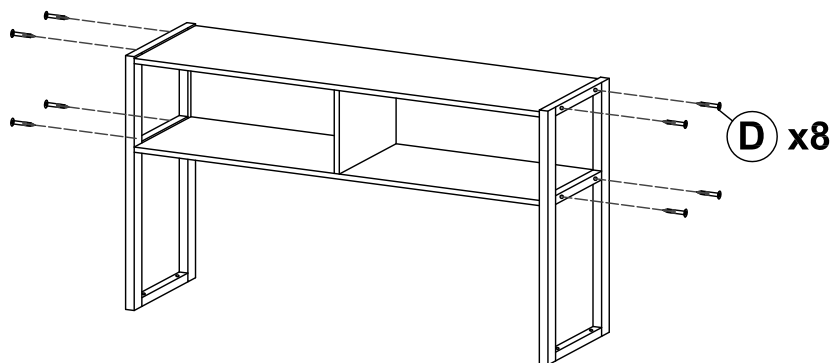
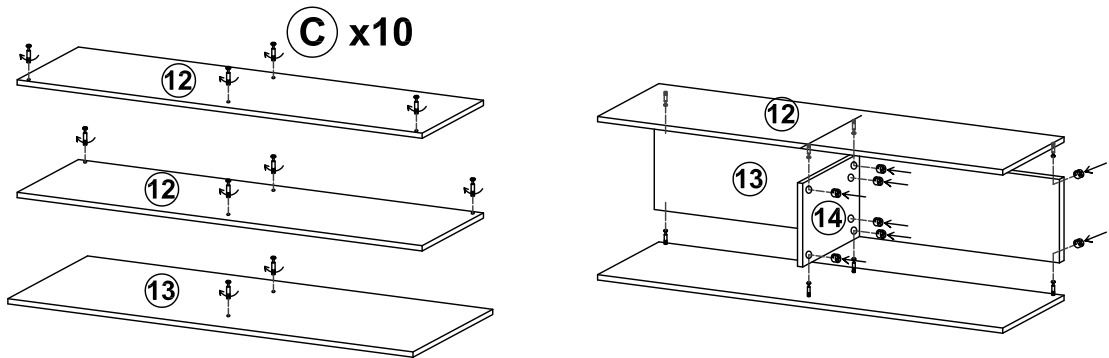
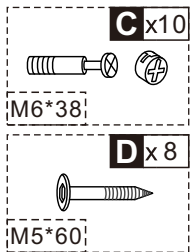
TOOLS RECOMMENDED







NOTE: When installing the table top, adjust the position to make the board splicing flat, and then tighten the screws.



E x 4



M6*65

F x 4



G x 1

