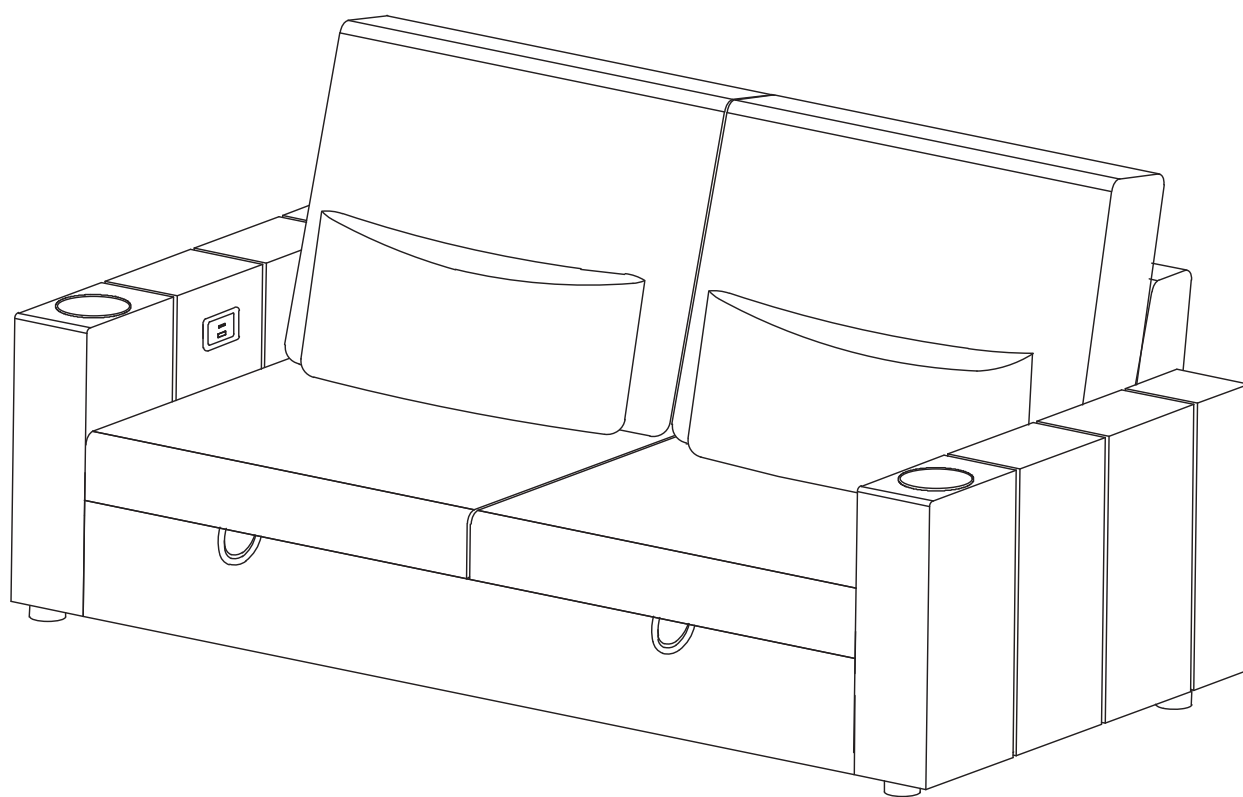


ASSEMBLY INSTRUCTION



J2751

Sofa & Couch

PLEASE READ BEFORE ASSEMBLY

1. Follow the assembly steps in order; do not skip any.
2. Assemble in a spacious area, away from infants and children. Protect the floor with packaging material before starting.
3. Ensure all connections (screws, bolts, etc.) are properly tightened.
If assembly requires two or more people, do not attempt it alone for safety reasons.

CAUTION

1. To ensure safe transportation, some of the product's upholstery has been vacuum-compressed and may take up to 72 hours to regain its original shape.
2. When cleaning, please use a soft cloth to gently wipe the surface or use professional cleaning supplies. Avoid using chemical agents or abrasive cleaners.
3. During use, please do not exceed the product's maximum weight capacity. Exceeding this limit may damage the product or pose a risk of injury.
4. For safety reasons, do not leave infants unattended on the product to prevent any risk of harm, such as suffocation.
5. If you need to move the product, please do so with two or more people and carefully relocate it to the desired area. Additionally, the product can be disassembled and reassembled if necessary.
6. The product may differ slightly in appearance from the assembly illustrations.
7. The packaging contains plastic bags. Keep them away from infants and children to avoid suffocation. After unboxing, dispose of the bags immediately; do not reuse them.

FAQ

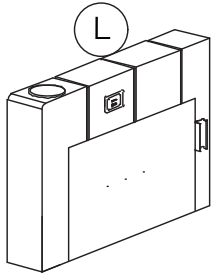
Q: How long will it take for the product to regain its shape after unpacking?

A: Some parts of the product are vacuum-compressed for transportation, and it may take up to 72 hours for the upholstery to regain its original shape.

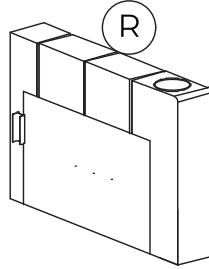
Q: Will the product color look exactly as shown online?

A: Due to variations in monitor settings, lighting, and production batches, slight color differences may occur.

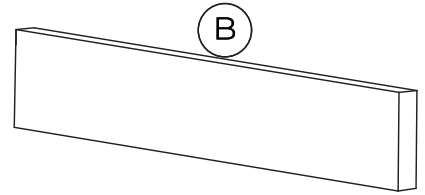
PART LIST



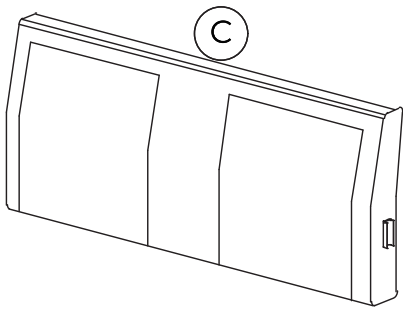
Left Armrest
1 PC



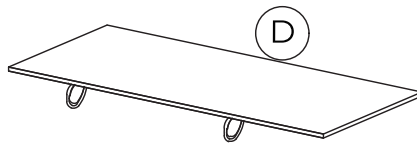
Right Armrest
1 PC



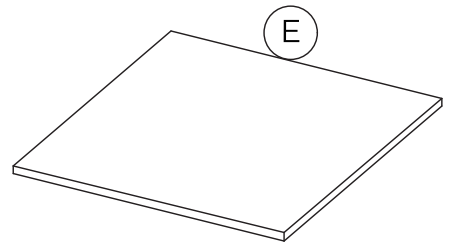
Front Rail
1 PC



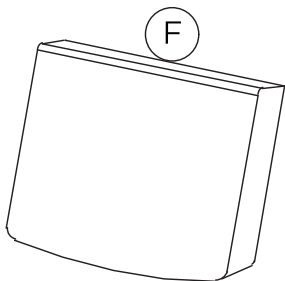
Back Frame
1 PC



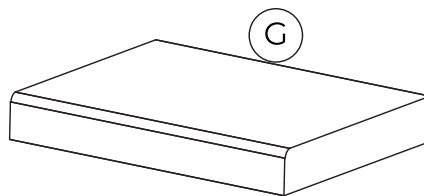
Seat Frame
1 PC



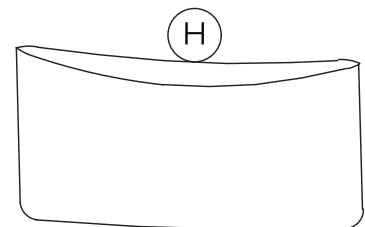
Bottom Plate
2 PC



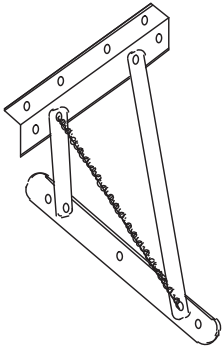
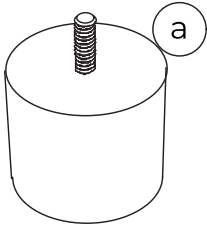
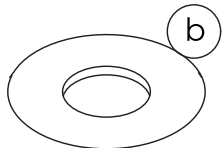
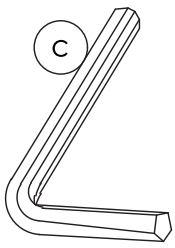
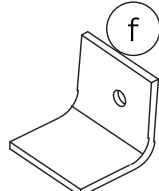
Backrest
2 PC



Cushion
2 PC



Pillow
2 PC

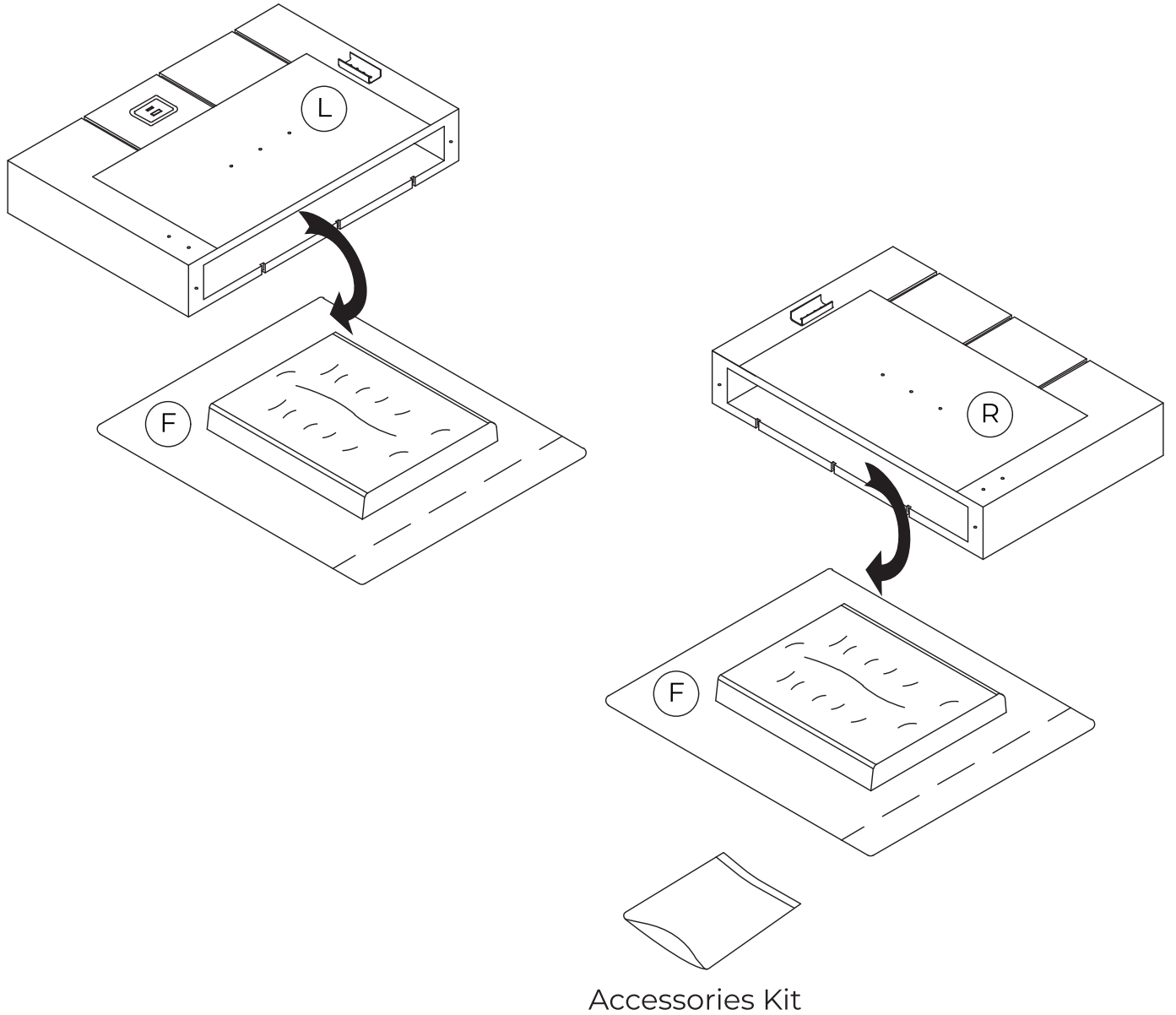
| | | |
|--|---|--|
| <p>L-1</p>  <p>Left Spring Support Bracket x1</p> | <p>R-1</p>  <p>Right Spring Support Bracket x1</p> |  <p>Leg x4</p> |
|  <p>Washer x20</p> |  <p>Allen Key x1</p> |  <p>Screw Bolt x26</p> |
|  <p>Bracket x2</p> |  <p>Small Bracket x8</p> | |

ASSEMBLY GUIDE

Step 1

Take out the compression backrest in the armrest, as shown.

All accessory packages are hidden inside the right armrest. Please check carefully to locate them during assembly.

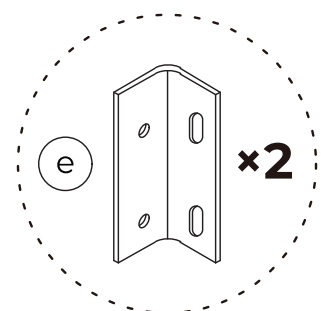
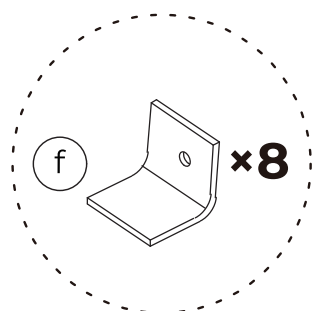
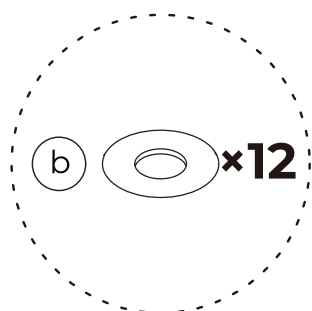
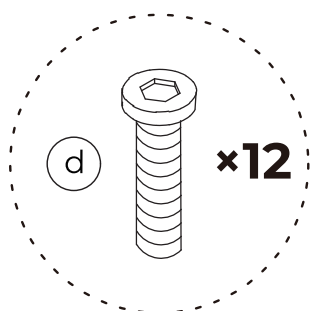
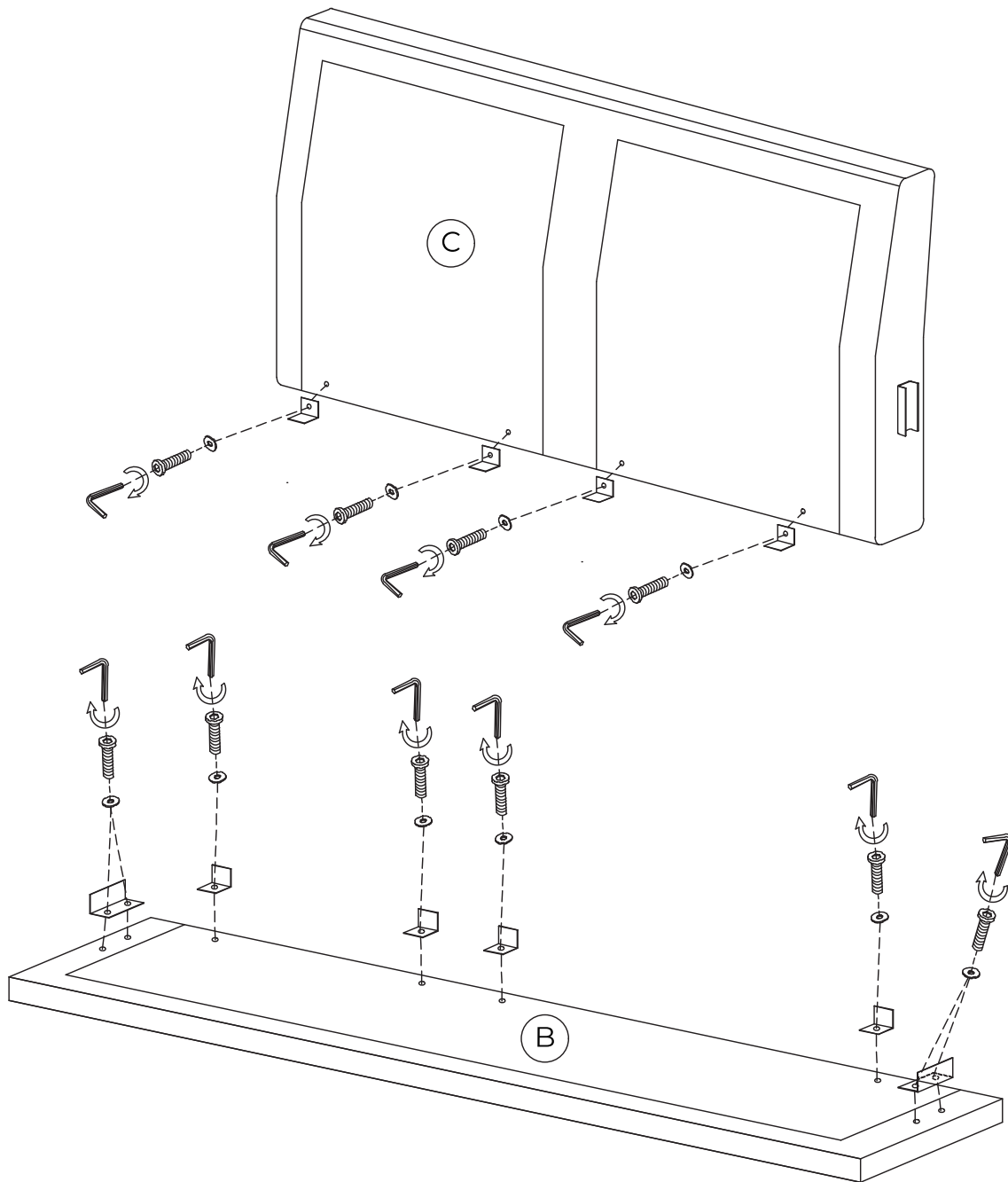


Step 2

a. Install the (e) onto the **B** using (b) and (d), as shown.

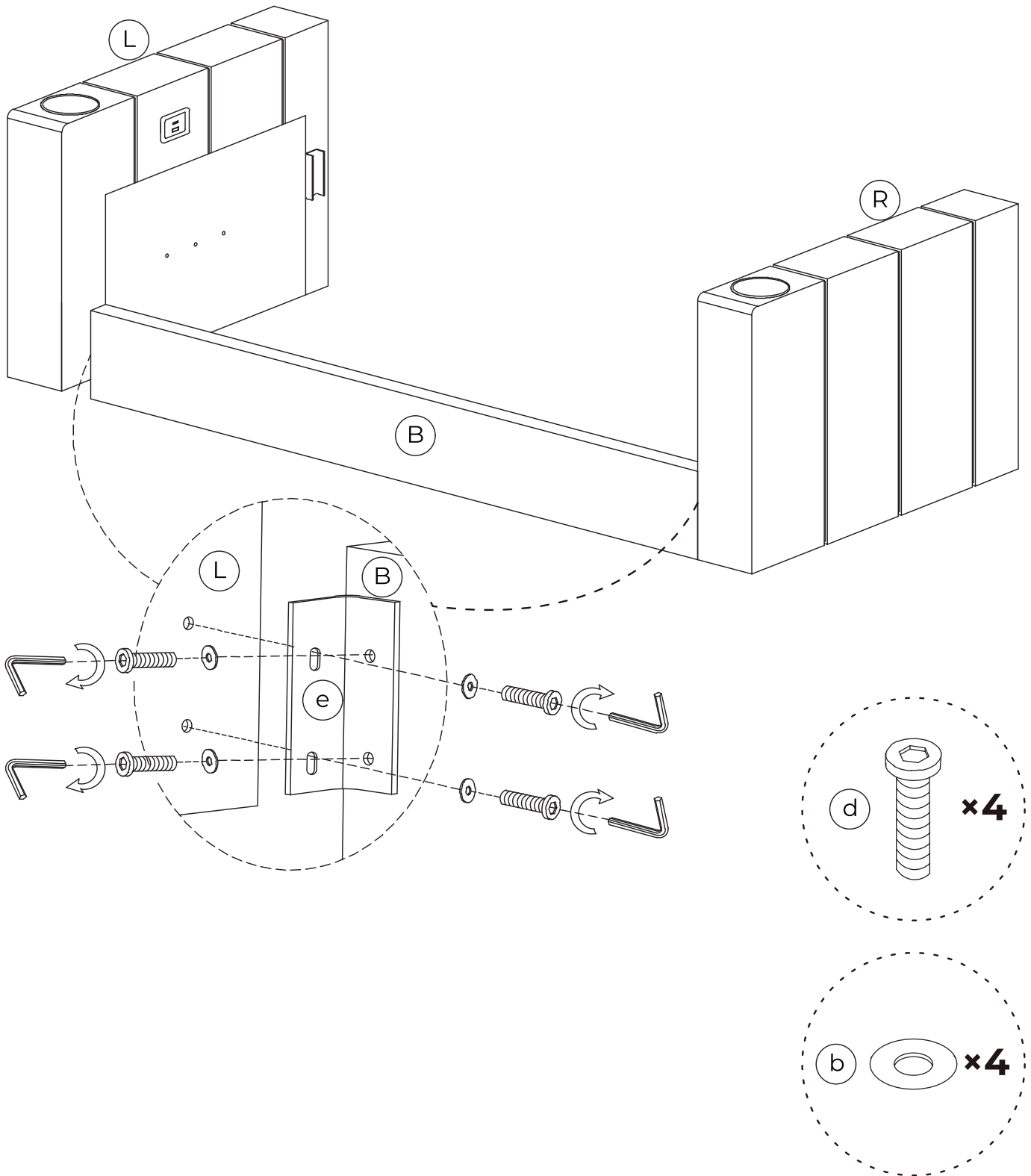
Tips: The circular hold of the (e) needs to be aligned with the B.

b. Install the (f) onto the **B** and the **C** using (b) and (d), as shown.



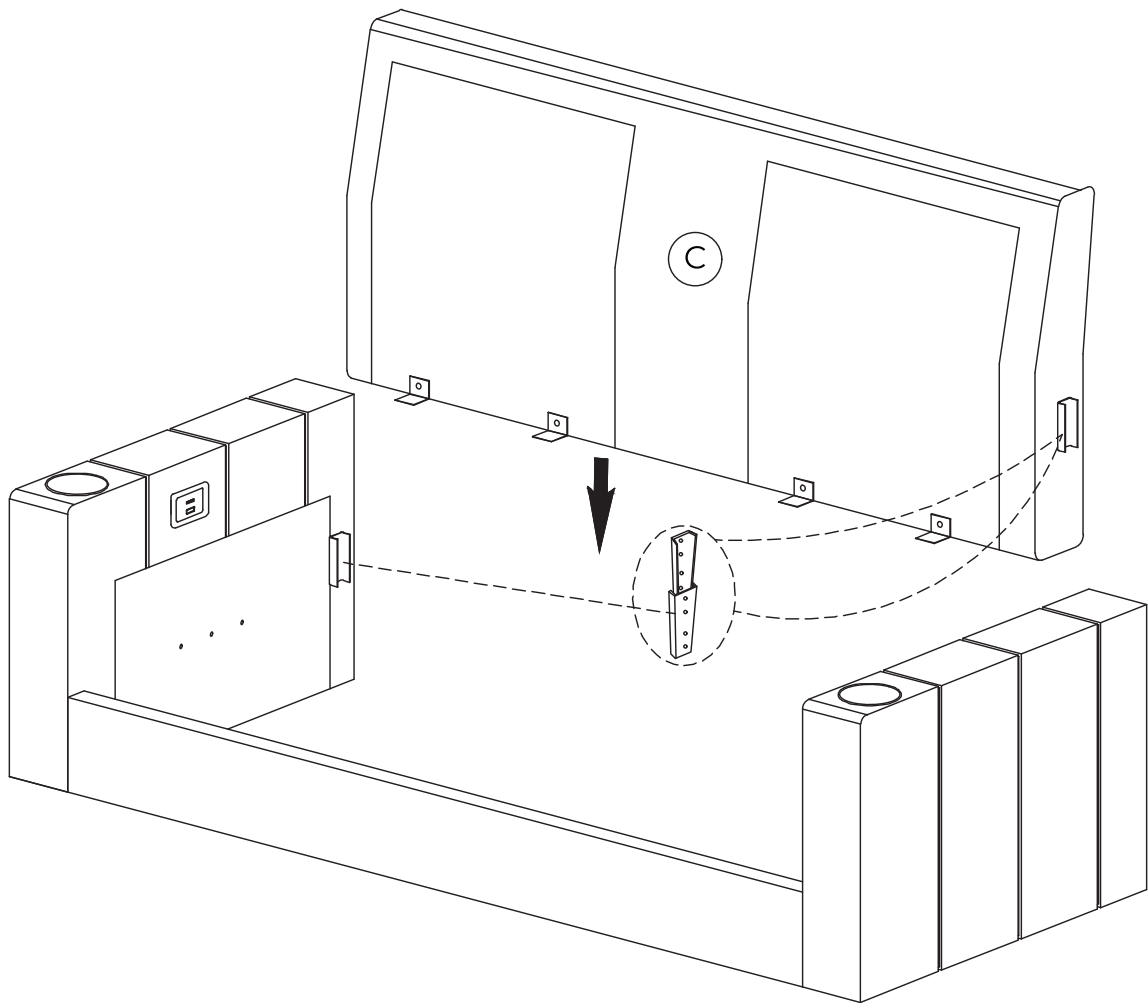
Step 3

Attach the **B** to the **R** and **L** armrests, as shown.



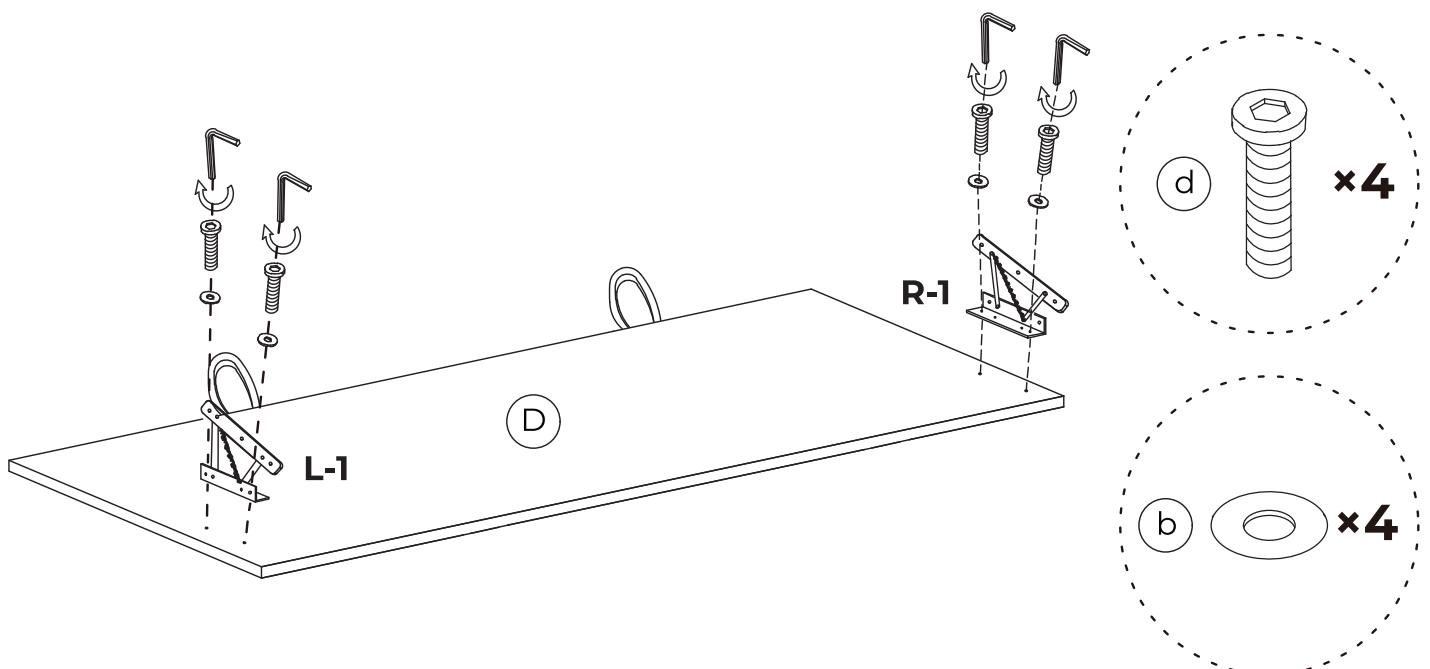
Step 4

Insert the back frame **C** into the hooks of the **R & L**, as shown.



Step 5

Place the **R-1** and **L-1** on the **D**, as shown.

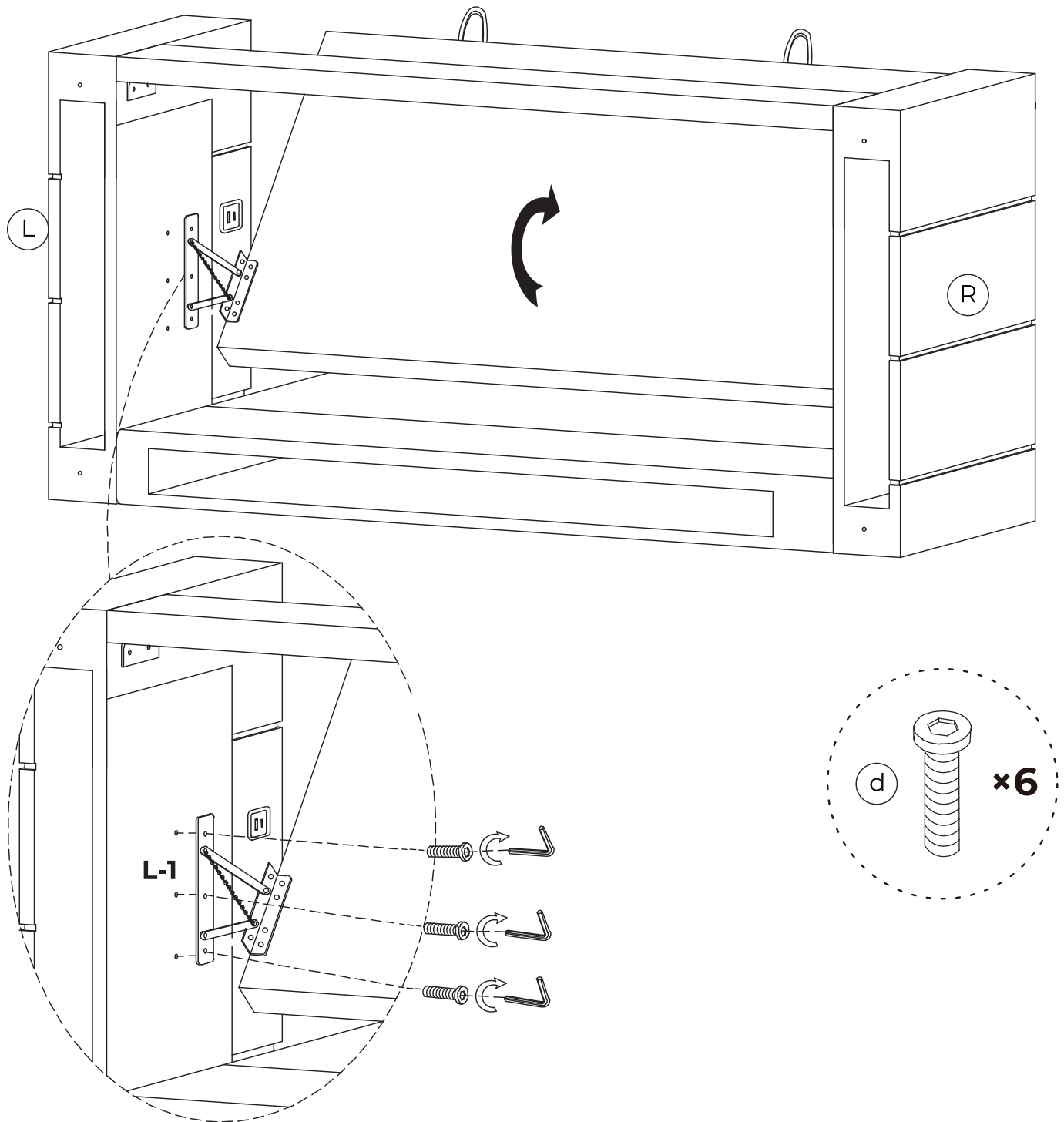


Step 6

Place the seat frame into the sofa, then flip the sofa over and install the spring support bracket onto the armrests from the sofa bottom, as shown.

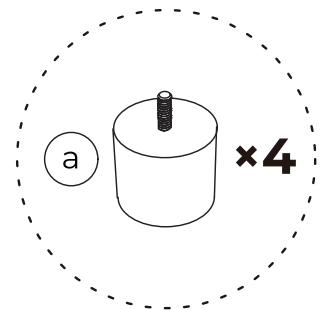
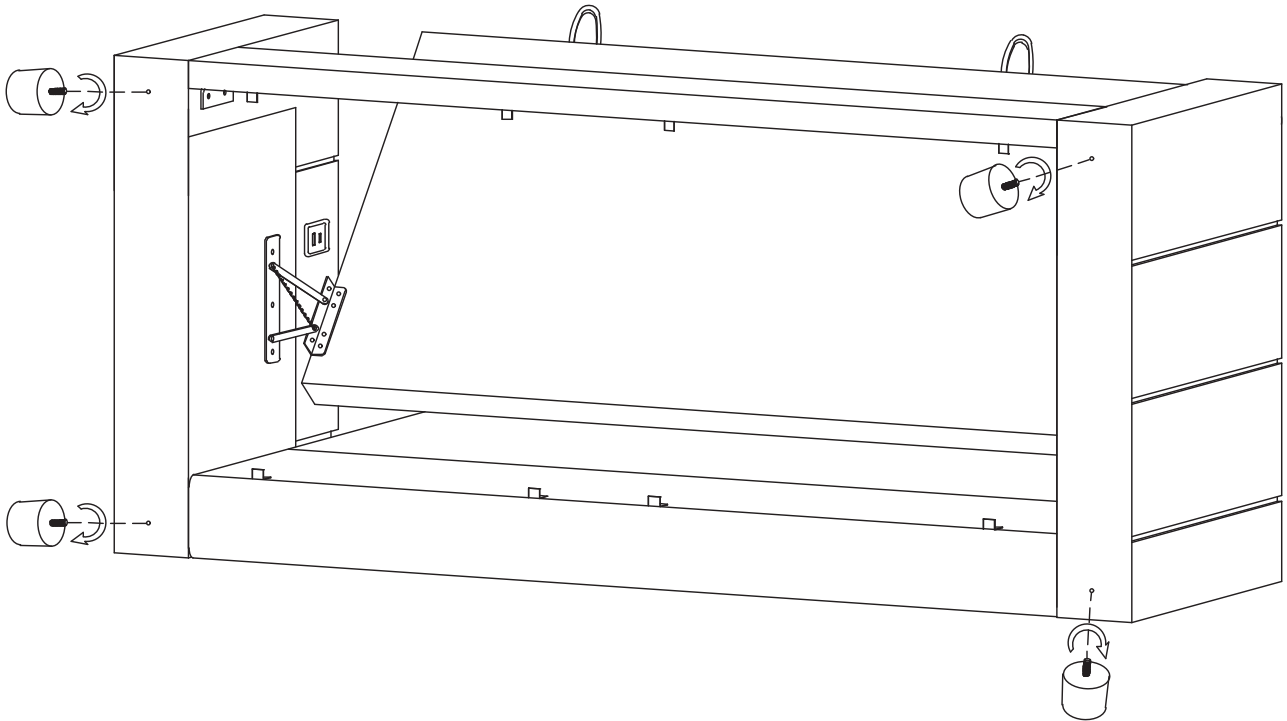
R-1 Spring Frame must correspond to R Armrest

L-1 Spring Frame must correspond to L Armrest



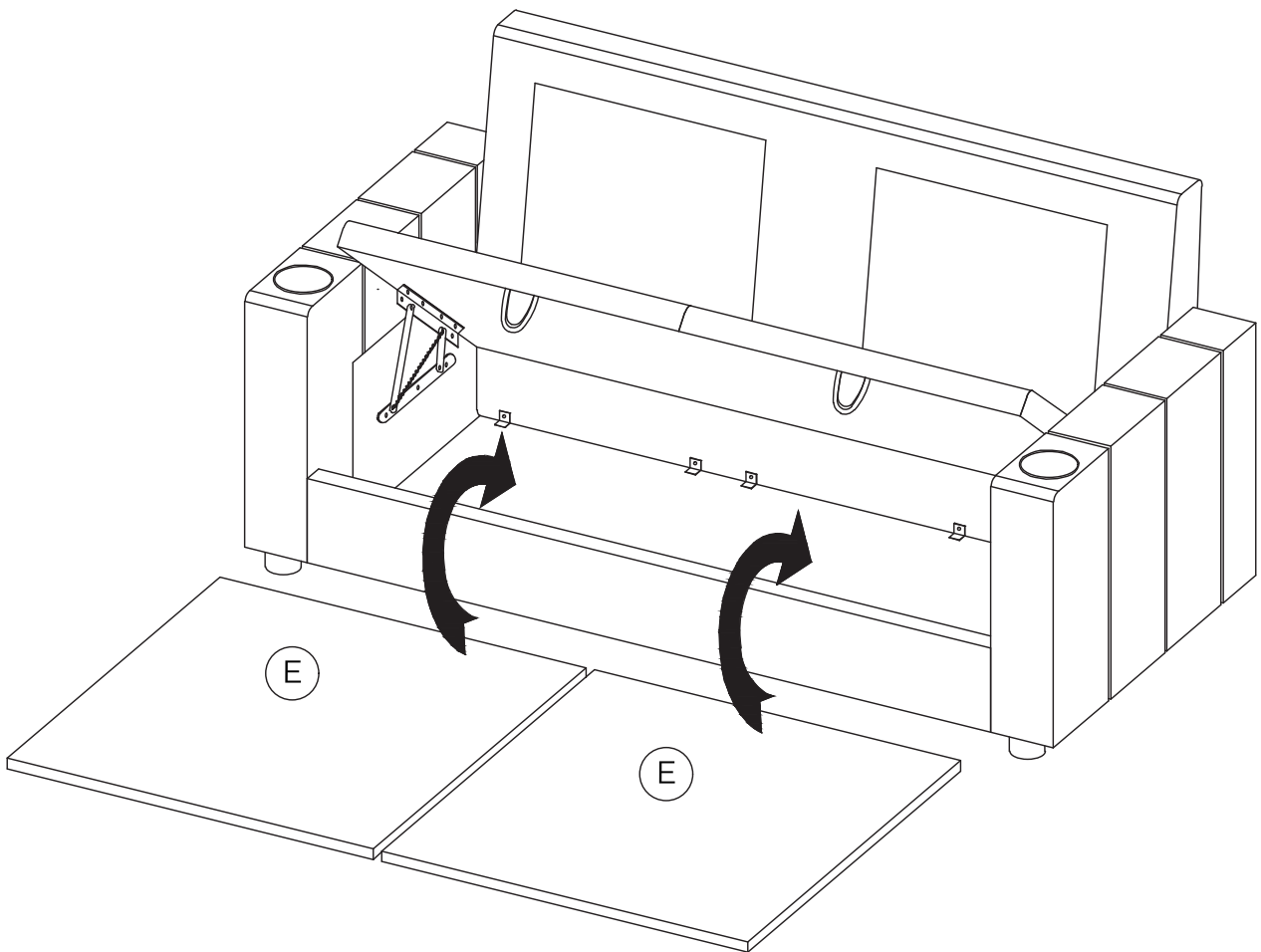
Step 7

Install armrest supports legs, as shown.



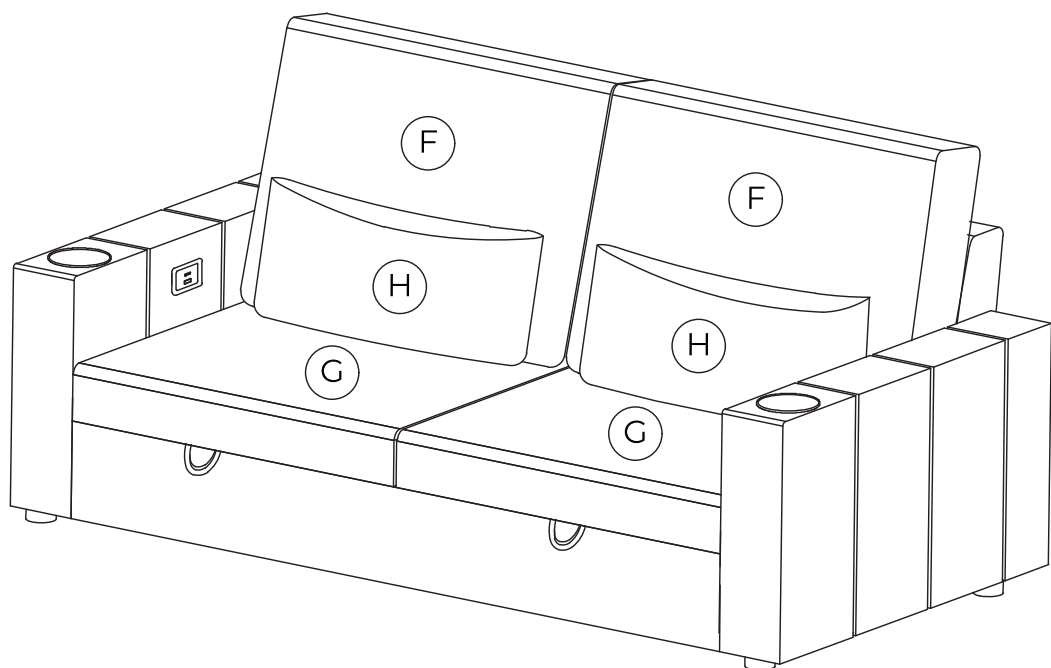
Step 8

After laying the sofa flat, open the **D** and then place the **E** onto the sofa bottom, as shown.



Step 9

The pillow/backrest/cushion is compressed and needs to be patted to make it fluffy, as shown.



AFTER-SALES SERVICE

Thank you for choosing our product! We are committed to ensuring your satisfaction and providing excellent after-sales support. If you have any questions or concerns after receiving your order, please feel free to contact us. We are here to help!

What to Include in Your Message:

To help us resolve your issue as quickly as possible, please provide the following details:

1.Your order number.

2.A description of the issue or concern.

3.Any relevant photos or videos (if applicable).

Our customer support team will respond to your inquiry, and we will do our best to ensure a smooth and hassle-free experience.

Care Tips for Velvet Fabric

Velvet is a luxurious fabric that requires special care to maintain its rich texture and appearance. Here are some professional tips to keep your velvet sofa looking its best:

1.Regular Cleaning: Gently vacuum the sofa with a soft brush attachment regularly to remove dust and debris. Avoid using a powerful vacuum that may damage the delicate fibers.

2.Stain Removal: For small spills or stains, blot the area immediately with a clean, dry cloth. Never rub, as this can push the stain deeper into the fabric. For tougher stains, use a mild upholstery cleaner specifically designed for velvet, and always test in an inconspicuous area first.

3.Avoid Direct Sunlight: Velvet can fade when exposed to prolonged sunlight. Keep your sofa out of direct sun to preserve the color and texture of the fabric.

4.Fluff the Pile: Velvet has a nap, or direction of the fibers, which can become flattened over time. Use a soft brush to gently lift the pile and restore its softness and luster.

5.Prevent Crushing: Avoid sitting in the same spot for long periods and rotate cushions occasionally to prevent wear and crushing of the fibers.

6.Professional Cleaning: Consider having your velvet sofa professionally cleaned once or twice a year to maintain its overall appearance and ensure deep cleaning of the fabric without causing damage.