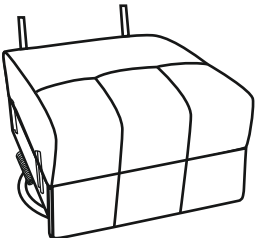
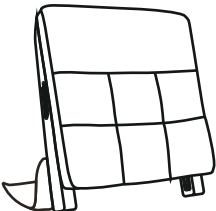


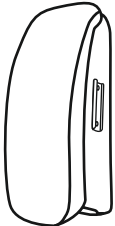
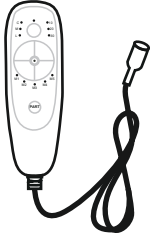
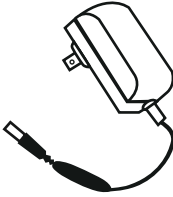
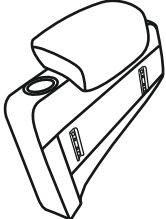
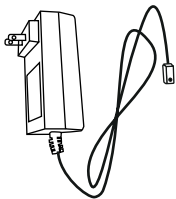


Assembly Instructions

Your recliner comes packaged in **two boxes**. Carefully remove all of components from the packaging and set aside for assembly.

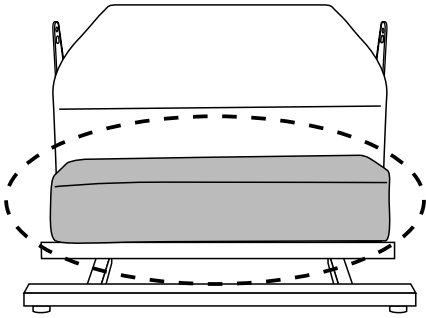
CAUTION
DO NOT use any sharp objects to open plastic wrapped components as damage to product or components may result.

Package Contents

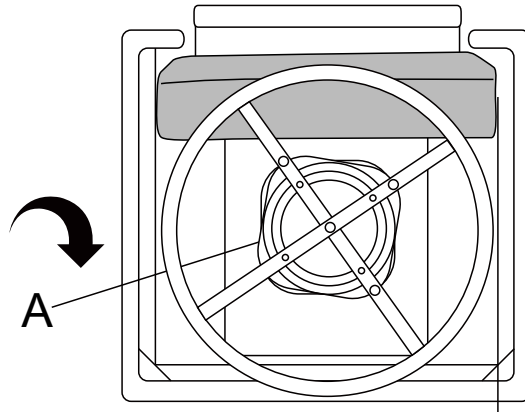
BOX 1			BOX 2
 A*1(Chair Seat)	 B*1(Chair Back)	 C*1(Left Ear)	 J*1(Left Armrest)
 D*1(Right Ear)	 E*1(Massage Remote)	 F*1(Power Plug)	 K*1(Right Armrest)
 G*1(power supply)			

PLEASE NOTE that Box 1 and Box 2 may not arrive on the same day. Please wait 2 or 3 days more for the second parcel. Have any questions, just be free to contact us for further shipping information.

Step 1 Take out both ears.

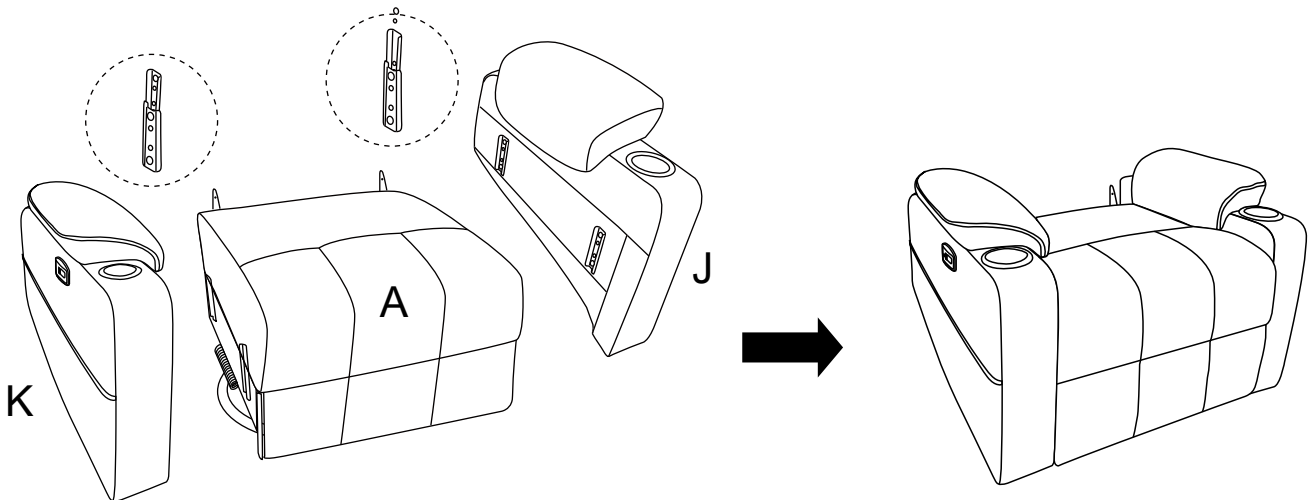


*Take (one ear) out from the back of (A)



*Check inside (the other ear) from below.

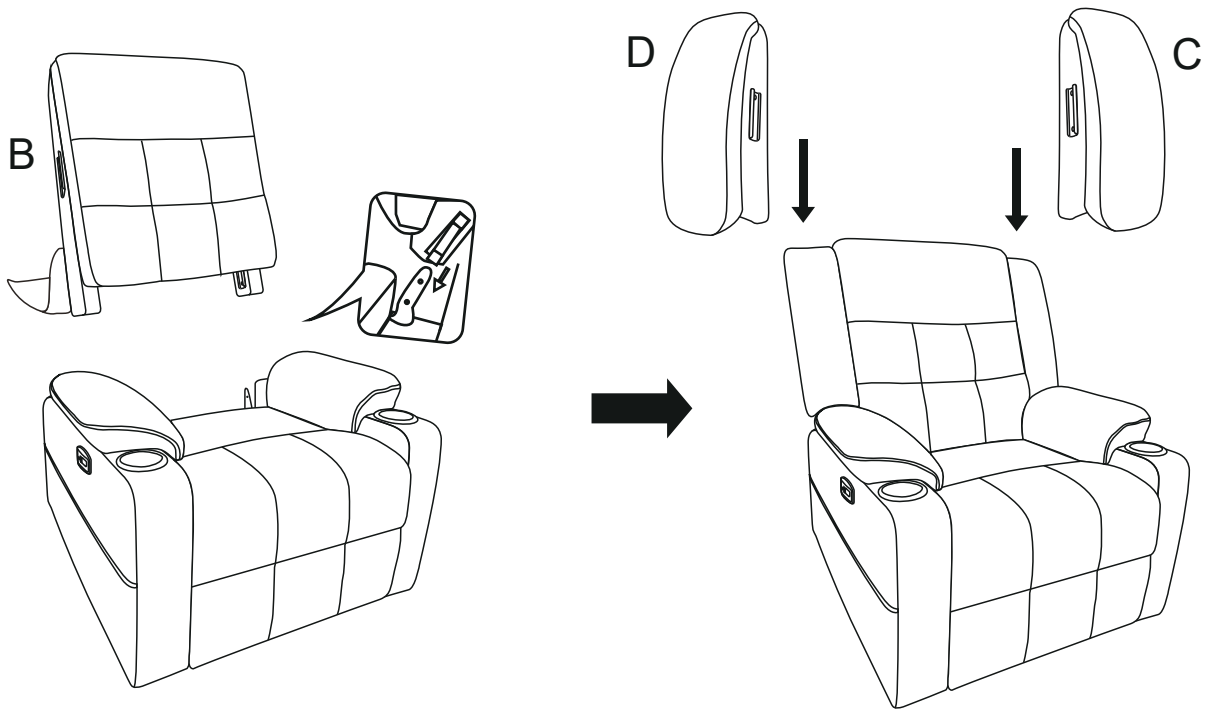
Step 2 Insert both the left armrest (J) and right armrest (K) into the chair seat (A) by aligning the metal grooves and sliding down to the bottom.



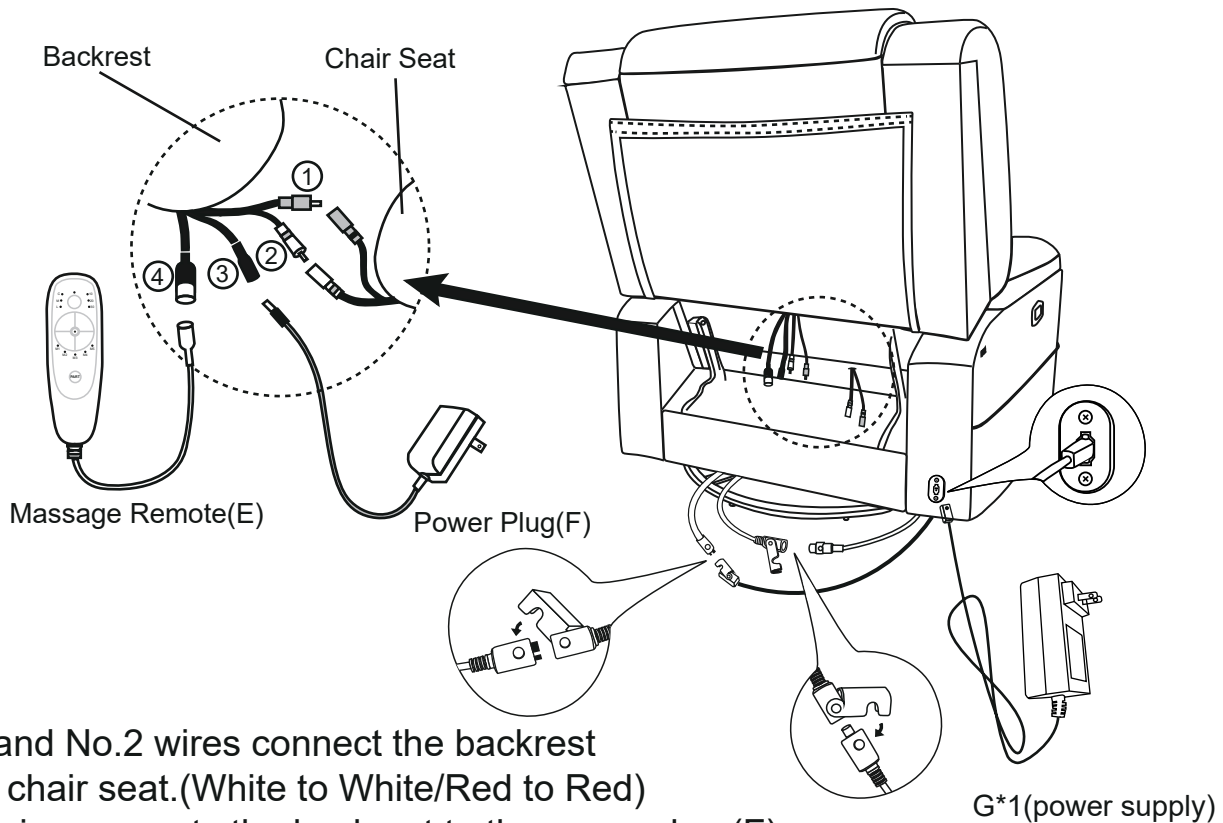
ATTENTION!!

Ensure the slots of armrests and backrest are fully assembled to the bottom to avoid tilting or moving. And please not sit on the armrests for the user's safety.

Step 3 Insert the chair back(B)into the chair seat by aligning the metal grooves and sliding down to the bottom;Inset both the left ear(C)and right ear(D)into the chair Back.



Tips of Connecting Power Cords:



No.1 and No.2 wires connect the backrest to the chair seat.(White to White/Red to Red)

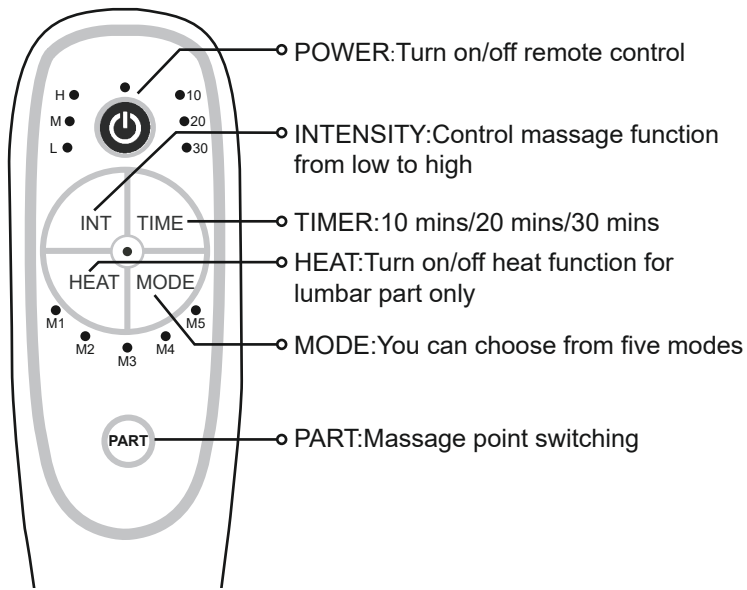
No.3 wire connects the backrest to the powerplug (F).

No.4 wire connects up the backrest and massage remote(E).

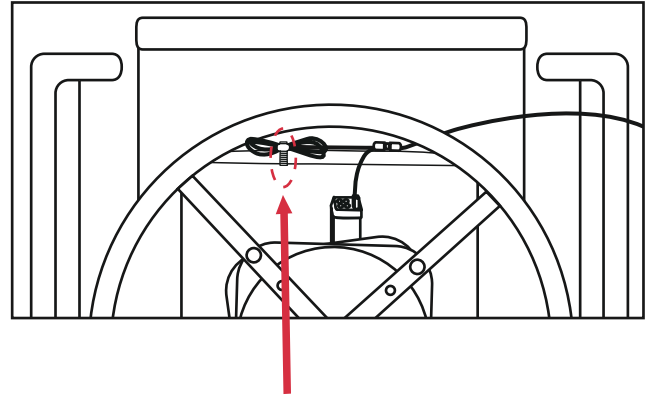
Plug the power source (F)into outlet to get the massaging and heating function working.

No.5 Connect the line under the right armrest to the line on the base to activate the side-flat function

Remote Operation Instruction



★ Important Notice



This strap should not be cut. Please leave it intact.