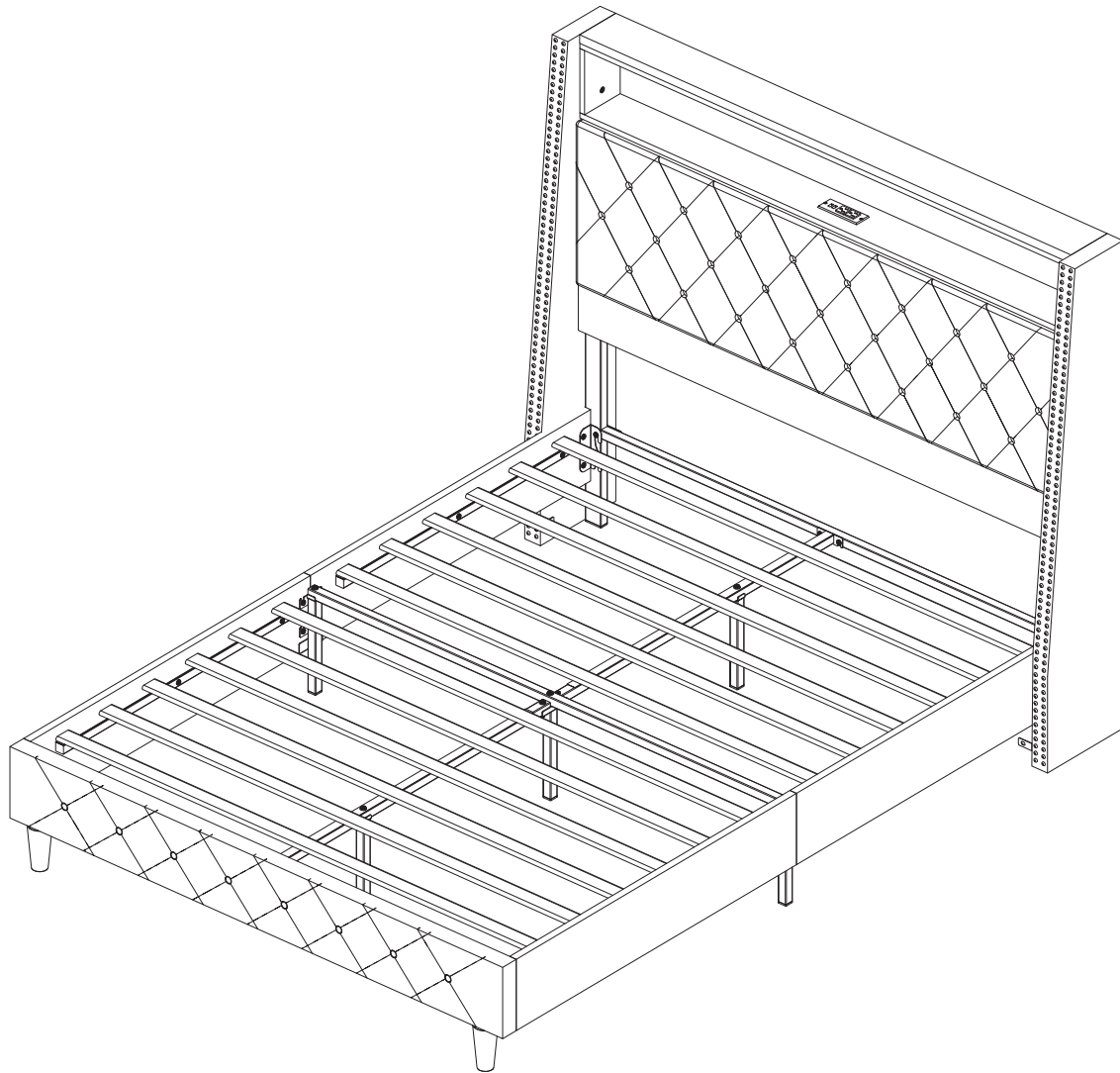


# Owner Manual

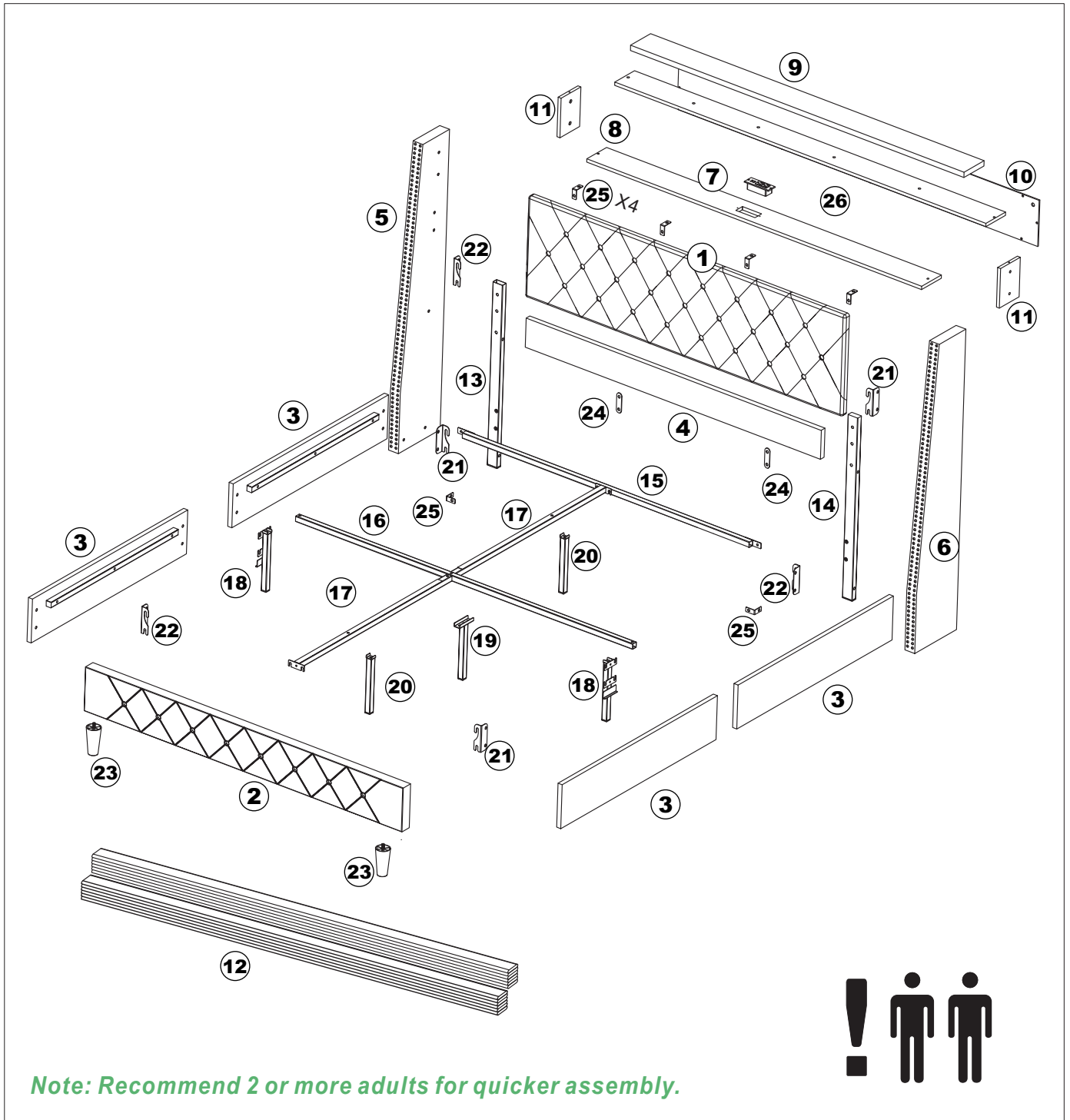


Thank you for purchasing the upholstered Full bed.

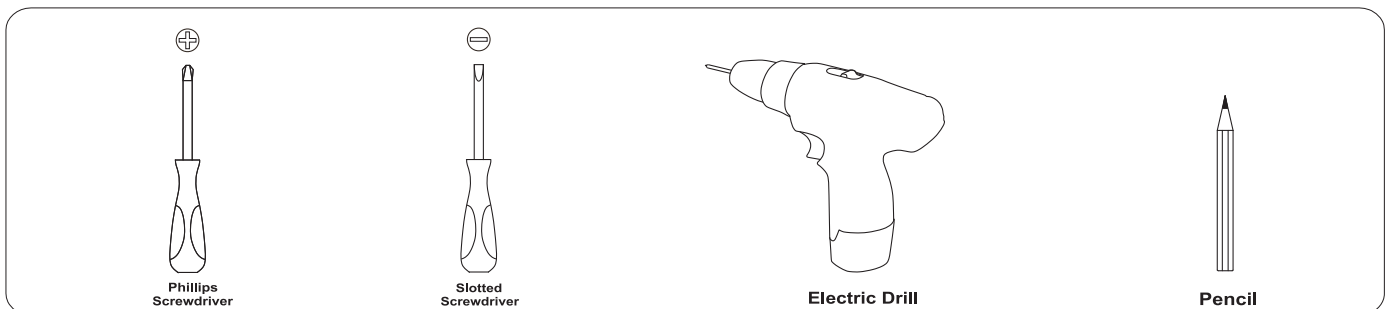
Please read the instructions and warnings carefully before use, to ensure safe and satisfactory operation of this product.

From our in-house Design Team, to our Buyers, we work together to bring great designs to life. Our expert Product Technologists work collaboratively with our buyers and suppliers to assure the legality, safety and quality of the product we sell. We are all committed to designing and developing products to the highest industry standards. We hope you are happy with your product and welcome any feedback or comments you may have.

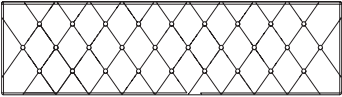

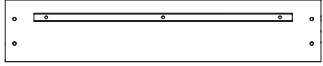

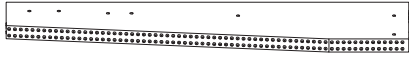
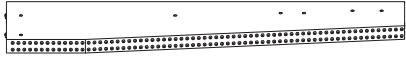



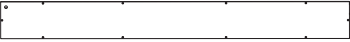

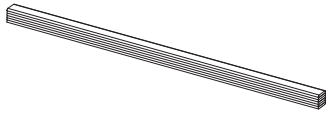
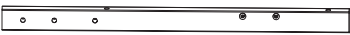



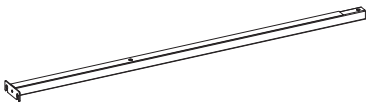
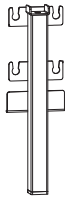
## Exploded Diagram



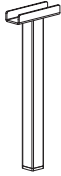

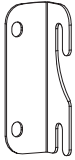
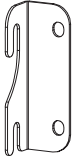


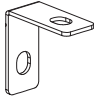
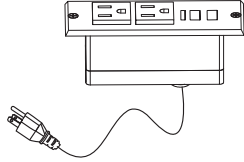
## TOOLS AVAILABLE




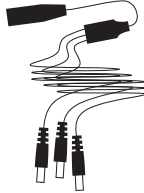


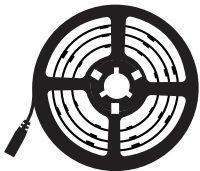
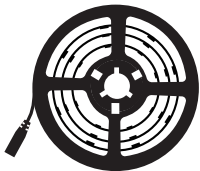
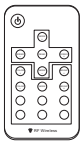
# PARTS LIST

<p>① x1</p>  <p>Headboard-upper</p>	<p>② x1</p>  <p>Footboard</p>	<p>③ x4</p>  <p>Side Panel</p>
<p>④ x1</p>  <p>Headboard-under</p>	<p>⑤ x1</p>  <p>Left Wing</p>	<p>⑥ x1</p>  <p>Right Wing</p>
<p>⑦ x1</p>  <p>Middle Shelf</p>	<p>⑧ x1</p>  <p>Upper Panel</p>	<p>⑨ x1</p>  <p>Top Panel</p>
<p>⑩ x1</p>  <p>Back Panel</p>	<p>⑪ x2</p>  <p>Top-Side Panel</p>	<p>⑫ x2</p>  <p>Slats</p>
<p>⑬ x1</p>  <p>HB Left Leg</p>	<p>⑭ x1</p>  <p>HB Right Leg</p>	<p>⑮ x1</p>  <p>HB-Cross Beam</p>
<p>⑯ x1</p>  <p>Cross Beam</p>	<p>⑰ x2</p>  <p>Middle Cross Beam</p>	<p>⑱ x2</p>  <p>Edge of the Foot</p>

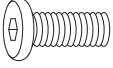
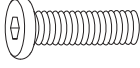
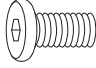
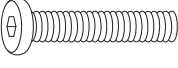
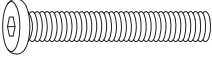
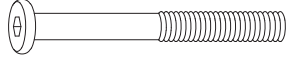
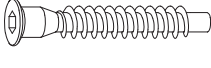
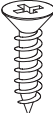


Be sure to check all packing material carefully for small parts, which may have come loose inside the carton during shipment.

<p>19 x1</p>  <p>Middle Leg</p>	<p>20 x2</p>  <p>Support Leg</p>	<p>21 x3</p>  <p>Left Connector</p>
<p>22 x3</p>  <p>Right Connector</p>	<p>23 x2</p>  <p>FB-Wood Leg</p>	<p>24 x2</p>  <p>Connector</p>
<p>25 x6</p>  <p>Bracket</p>	<p>26 x1</p>  <p>Power Socket</p>	

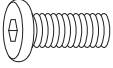
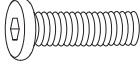
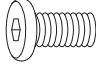
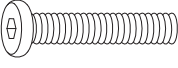
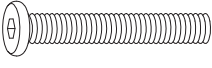
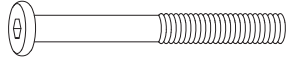

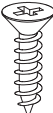
## LED LIST

<p>27 x1</p>  <p>Power Adapter</p>	<p>28 x1</p>  <p>Wire Conversion</p>	<p>29 x2</p>  <p>Sensor</p>
<p>30 x1</p>  <p>LED strip 1.3m</p>	<p>31 x1</p>  <p>LED strip 1.8m</p>	<p>32 x1</p>  <p>LED strip 1.8m</p>
<p>33 x1</p>  <p>Remote Control</p>		

## PARTS LIST

<p><b>A</b> x36</p>  <p>Bolt M8*18mm</p>	<p><b>B</b> x16</p>  <p>Bolt M8*25mm</p>	<p><b>C</b> x4</p>  <p>Bolt M8*12mm</p>
<p><b>D</b> x16</p>  <p>Bolt M8*40mm</p>	<p><b>E</b> x1</p>  <p>Bolt M8*50mm</p>	<p><b>F</b> x4</p>  <p>Bolt M8*75mm</p>
<p><b>G</b> x14</p>  <p>Bolt M6*38mm</p>	<p><b>H</b> x2</p>  <p>Screw 4*16mm</p>	<p><b>I</b> x1</p>  <p>Allen Wrench 5#</p>
<p><b>J</b> x1</p>  <p>Allen Wrench 4#</p>		

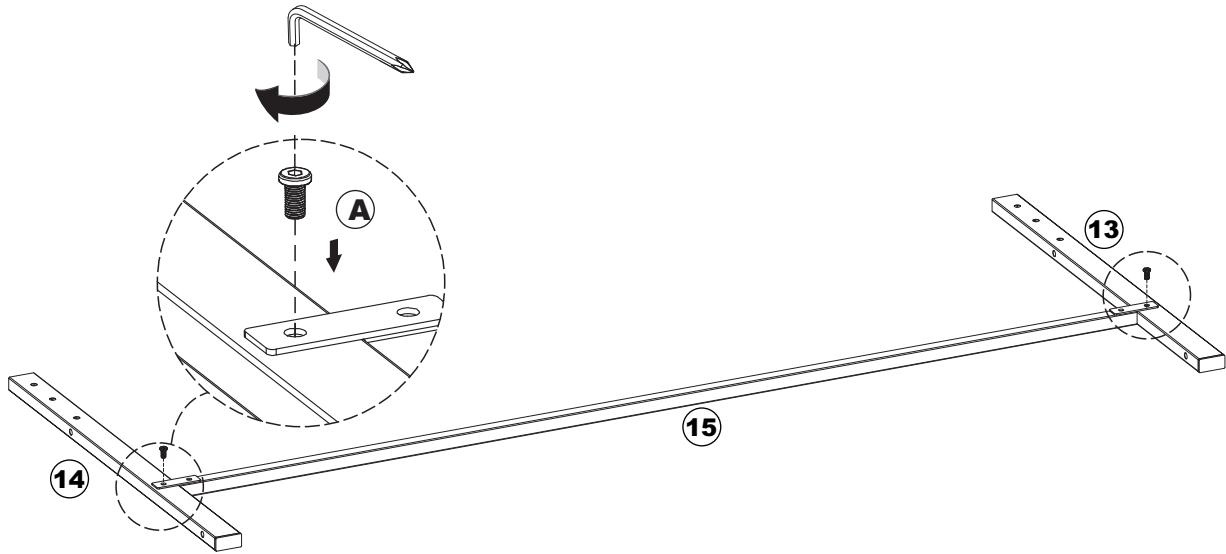
## PARTS LIST

<p><b>A</b> x2</p>  <p>Bolt M8*18mm</p>	<p><b>B</b> x1</p>  <p>Bolt M8*25mm</p>	<p><b>C</b> x1</p>  <p>Bolt M8*12mm</p>
<p><b>D</b> x1</p>  <p>Bolt M8*40mm</p>	<p><b>E</b> x1</p>  <p>Bolt M8*50mm</p>	<p><b>F</b> x1</p>  <p>Bolt M8*75mm</p>
<p><b>G</b> x1</p>  <p>Bolt M6*38mm</p>	<p><b>H</b> x1</p>  <p>Screw 4*16mm</p>	

# ASSEMBLY INSTRUCTION

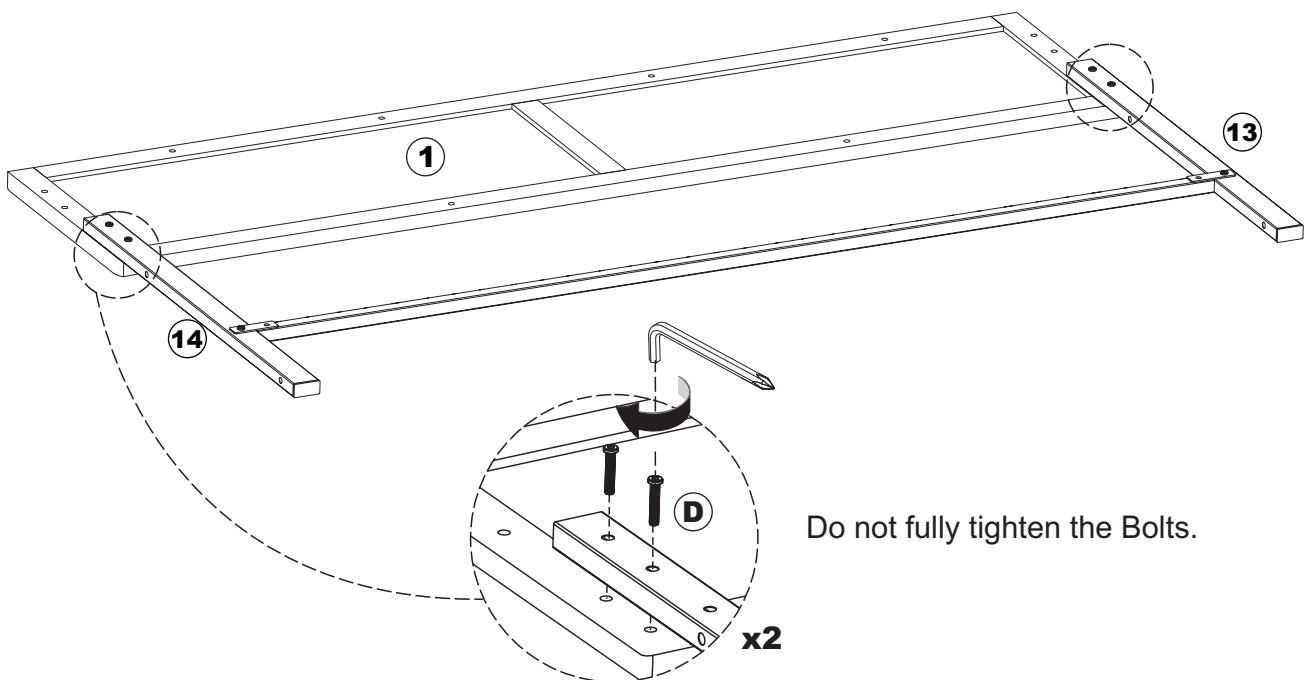
## STEP 1

**A**  M8\*18mm x2



## STEP 2

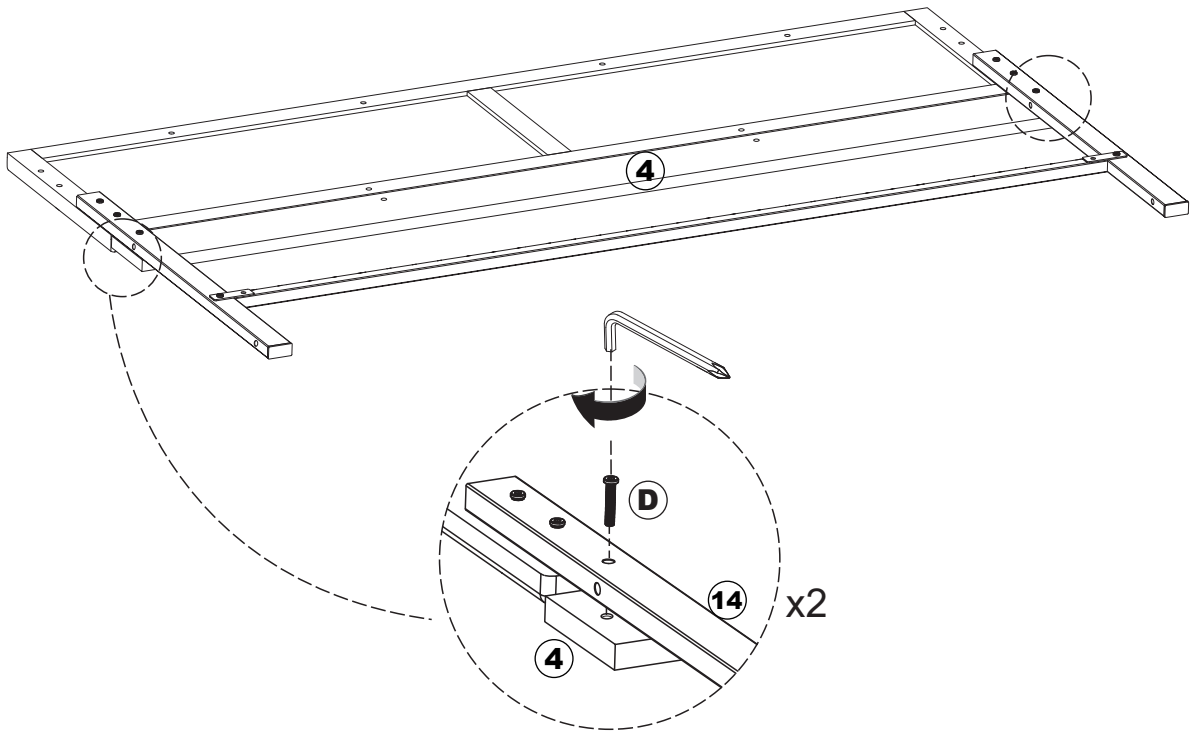
**D**  M8\*40mm x4




Do not fully tighten the Bolts.

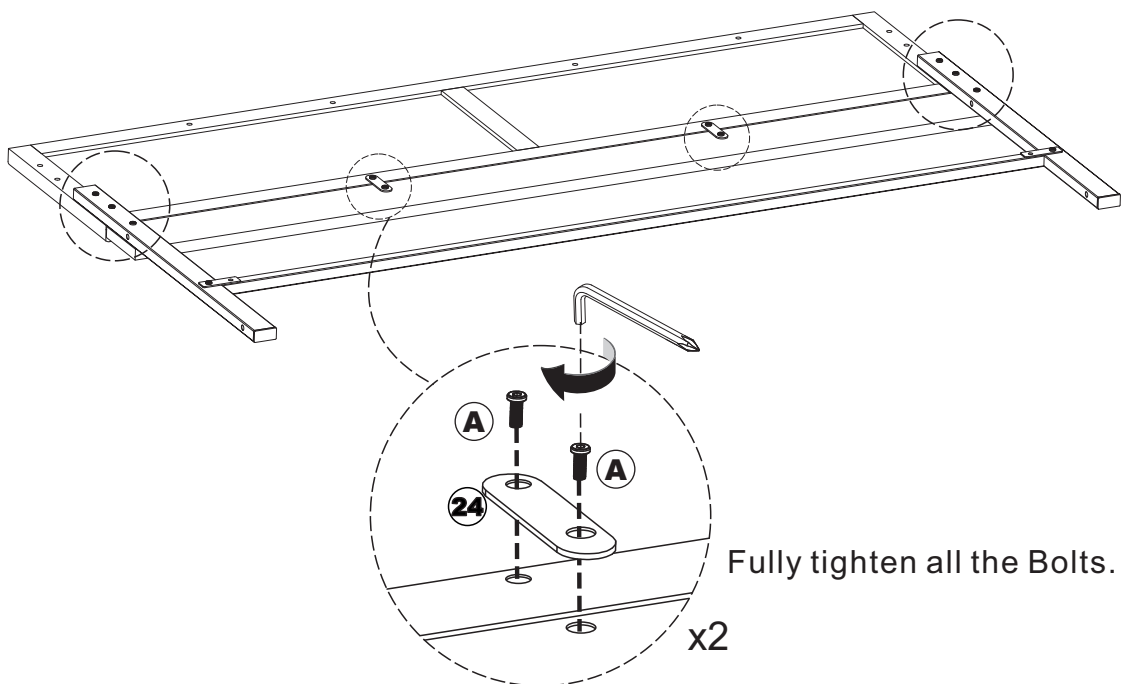
### STEP 3

**D**  M8\*40mm x2



### STEP 4

**A**  M8\*18mm x4

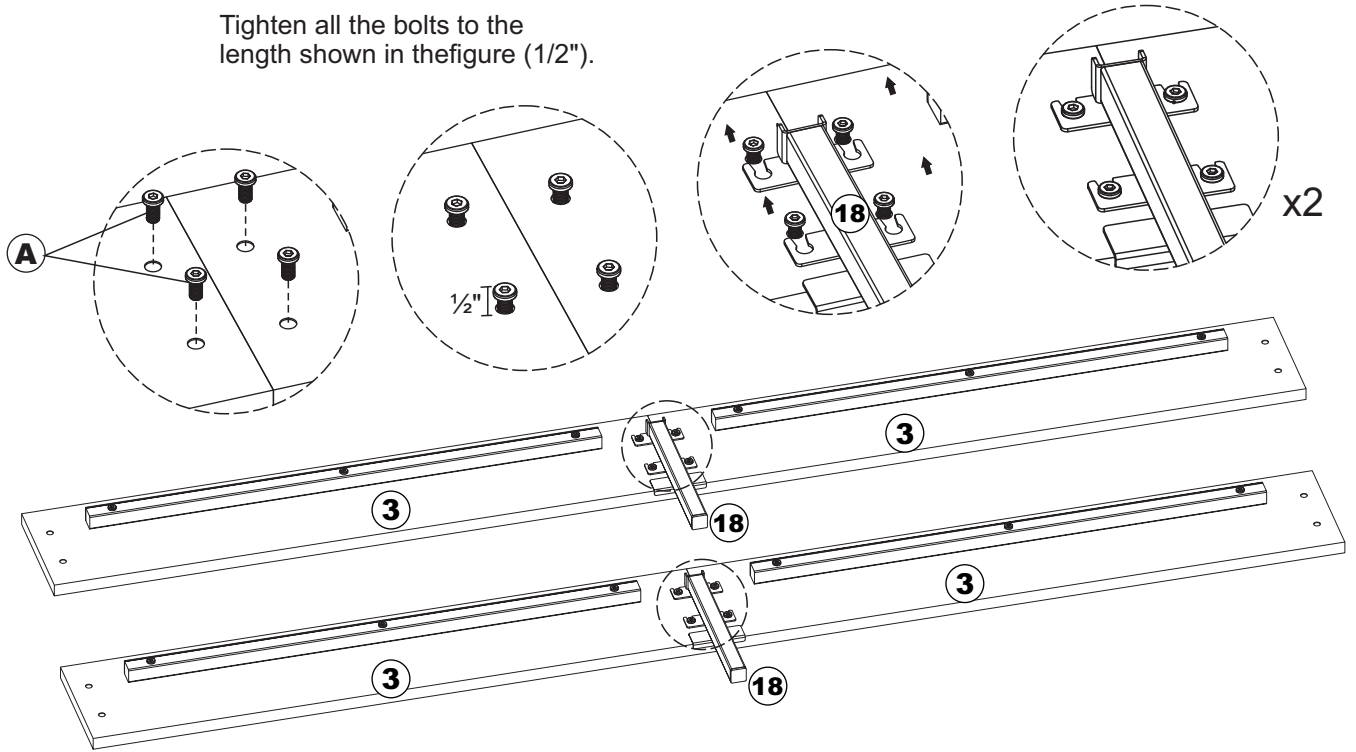


## STEP 5

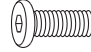
**A**  M8\*18mm x8

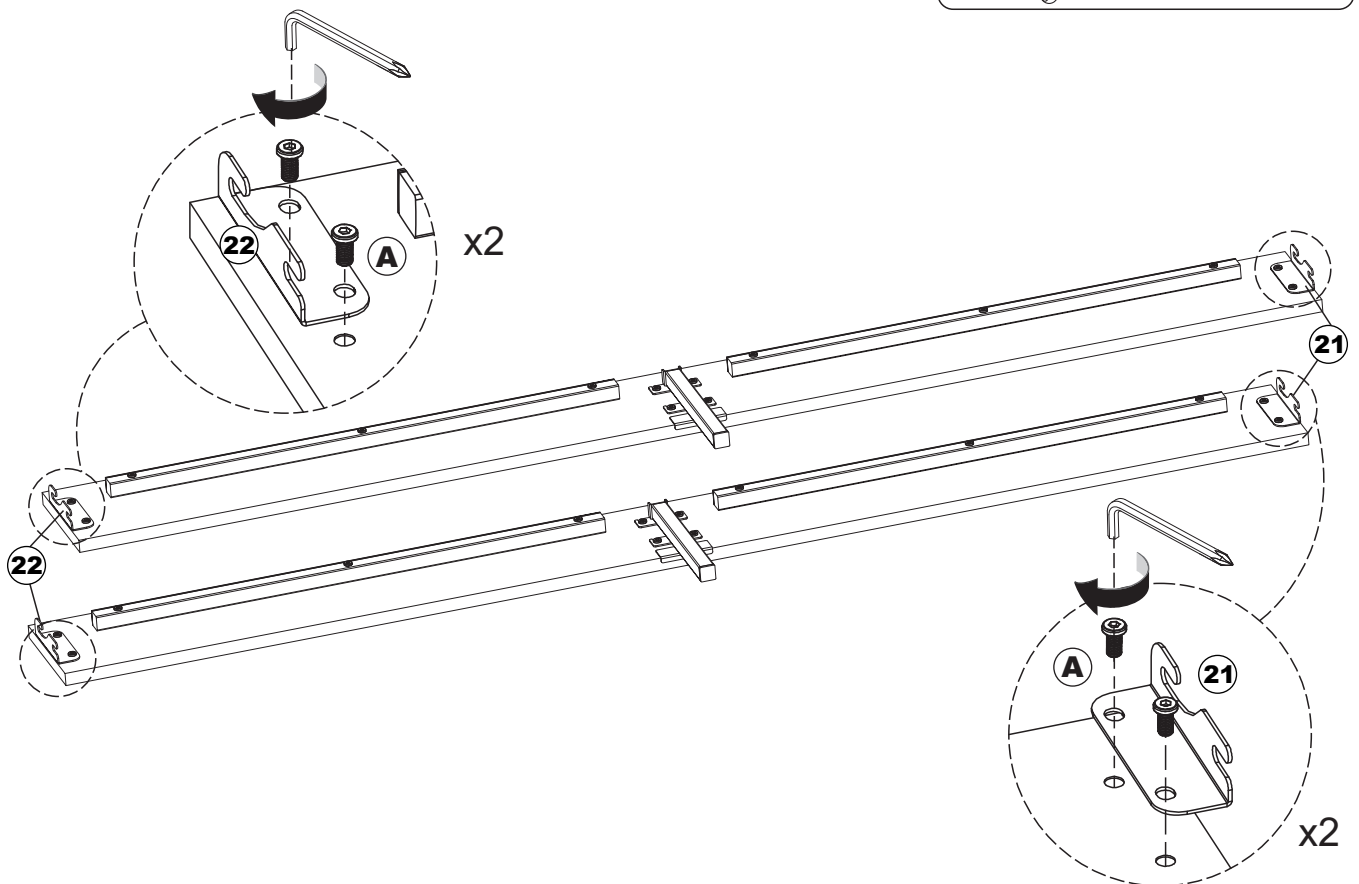
Tighten all the bolts to the length shown in the figure (1/2").

Tighten the bolts.

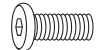


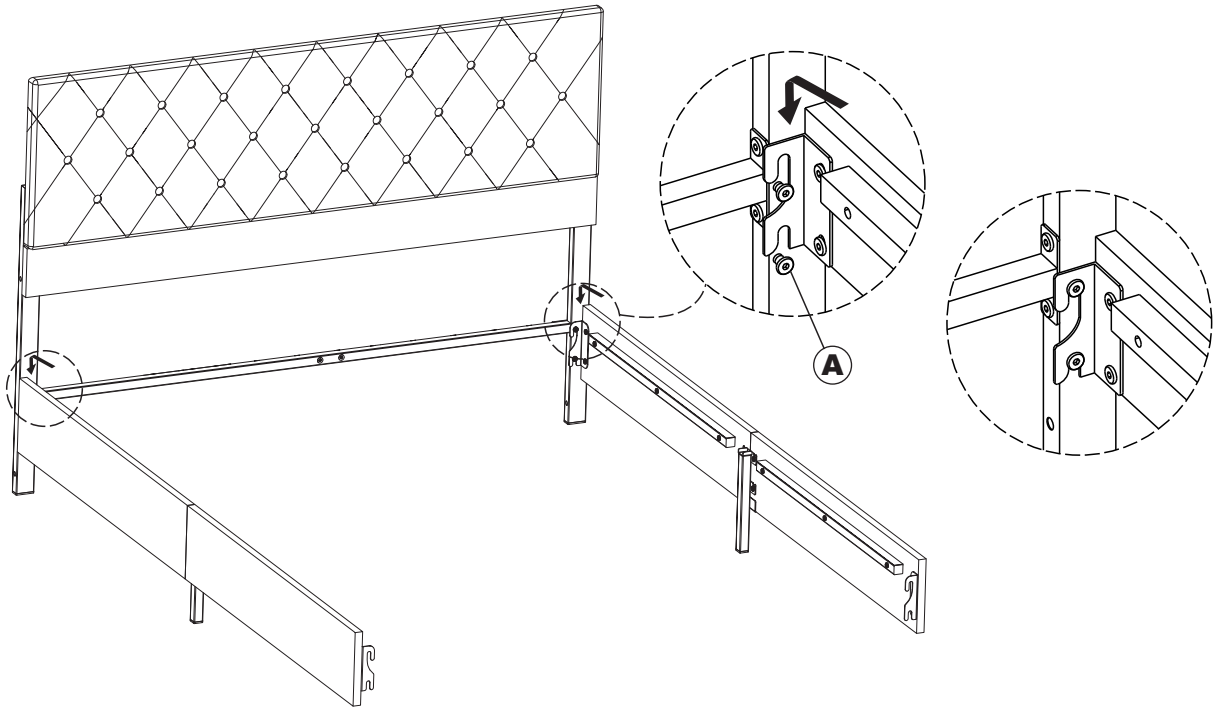
## STEP 6

**A**  M8\*18mm x8



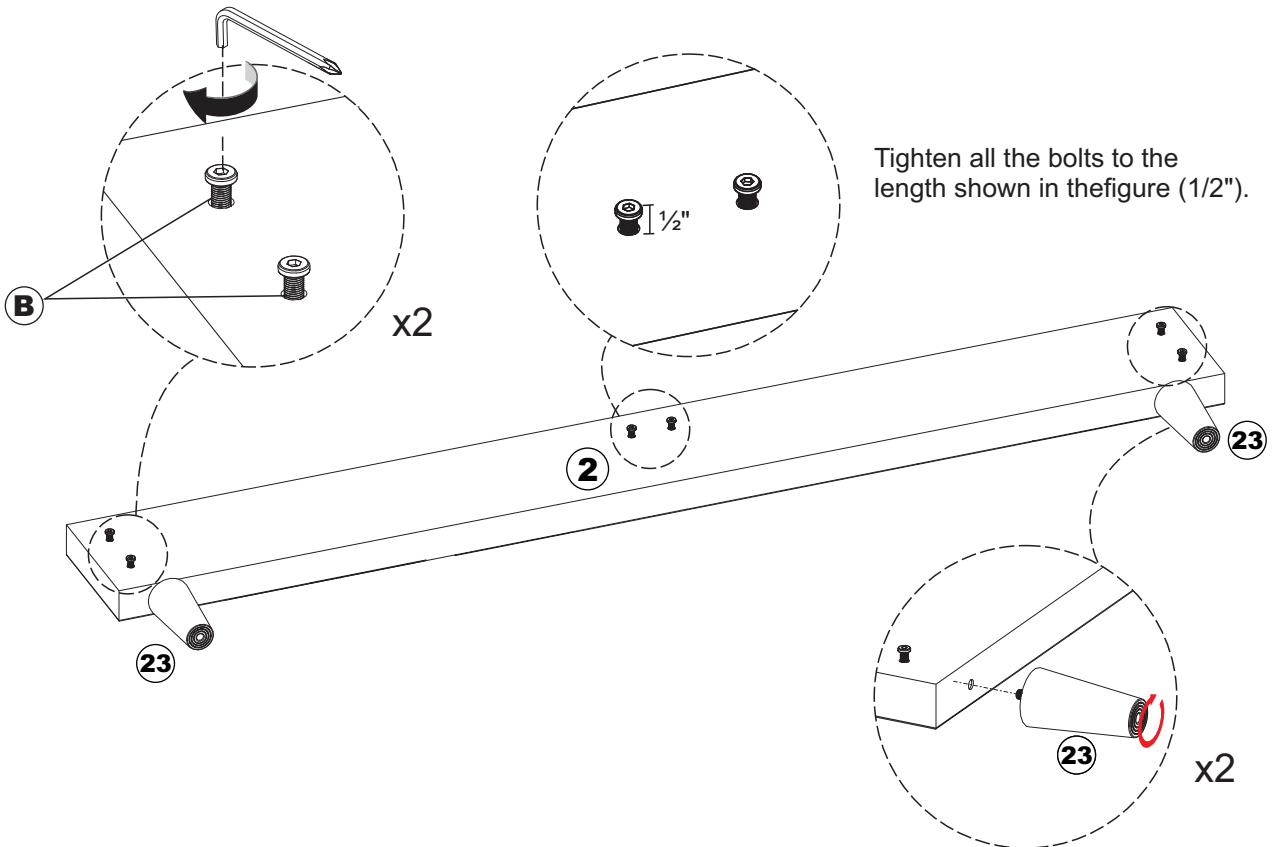
## STEP 7

**A**  M8\*18mm x4

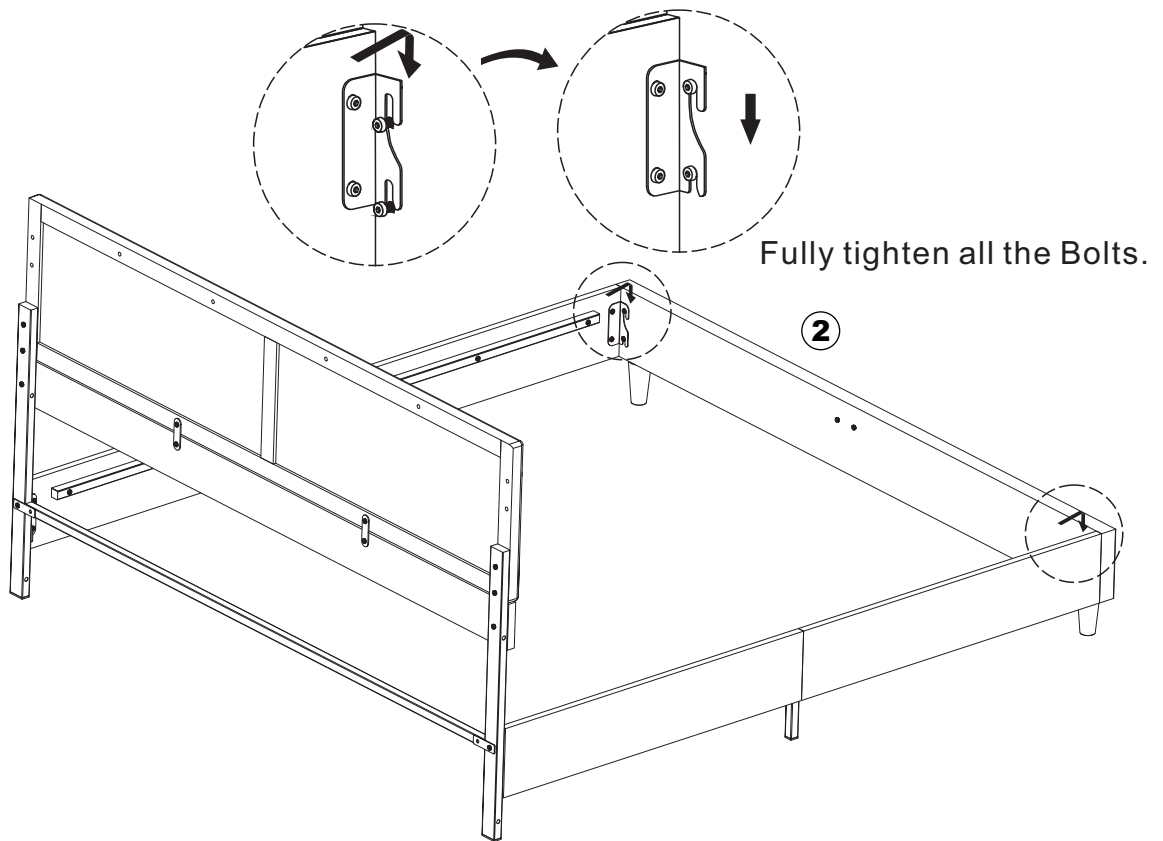


## STEP 8

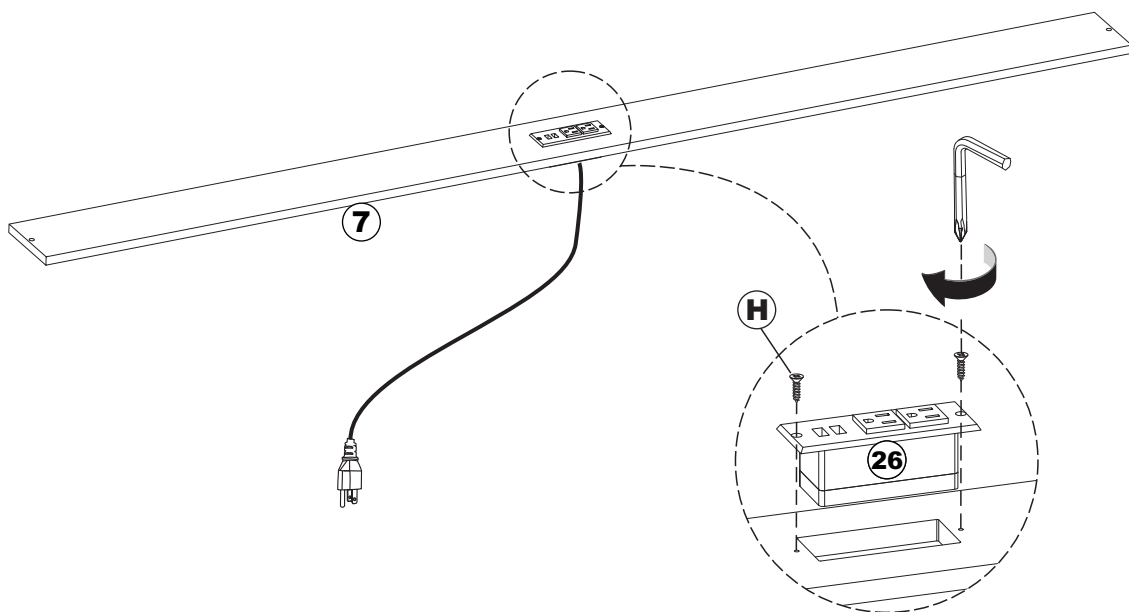
**B**  M8\*25mm x6



## STEP 9

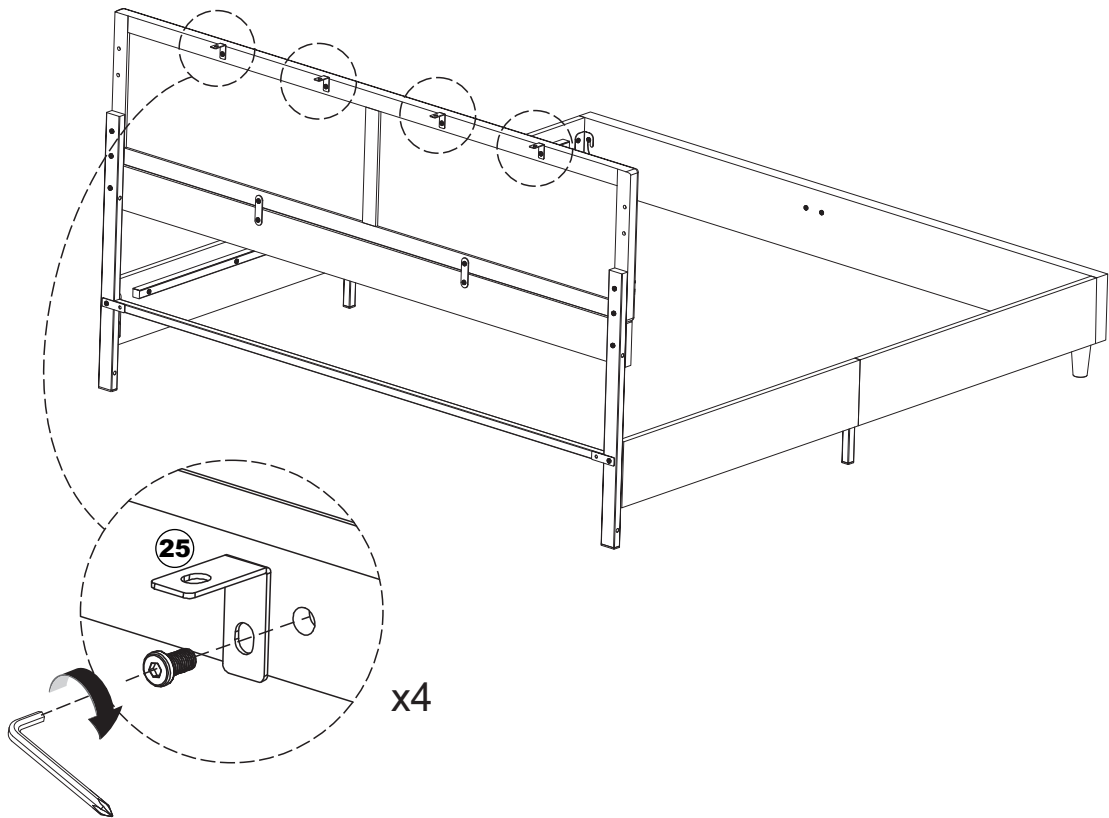


## STEP 10



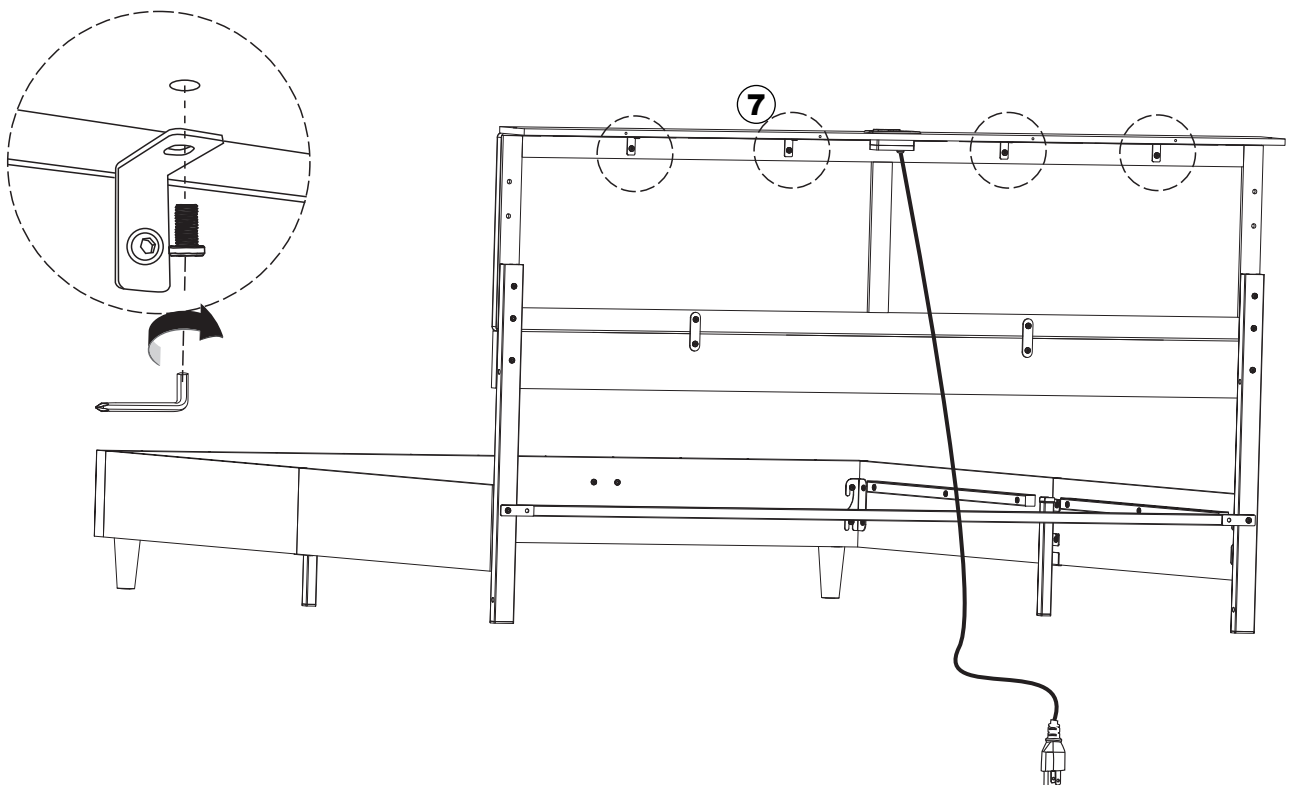
## STEP 11

**A**  M8\*18mm x4



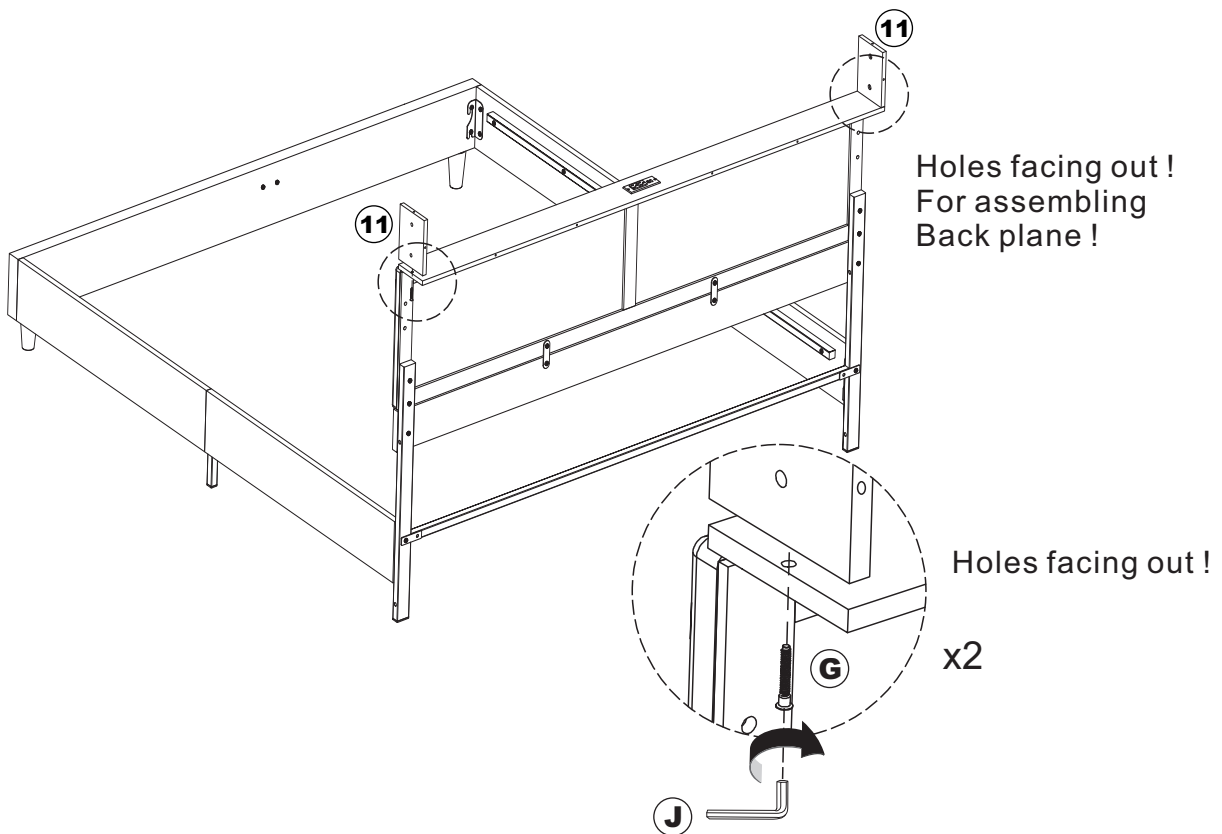
## STEP 12

**C**  M8\*12mm x4



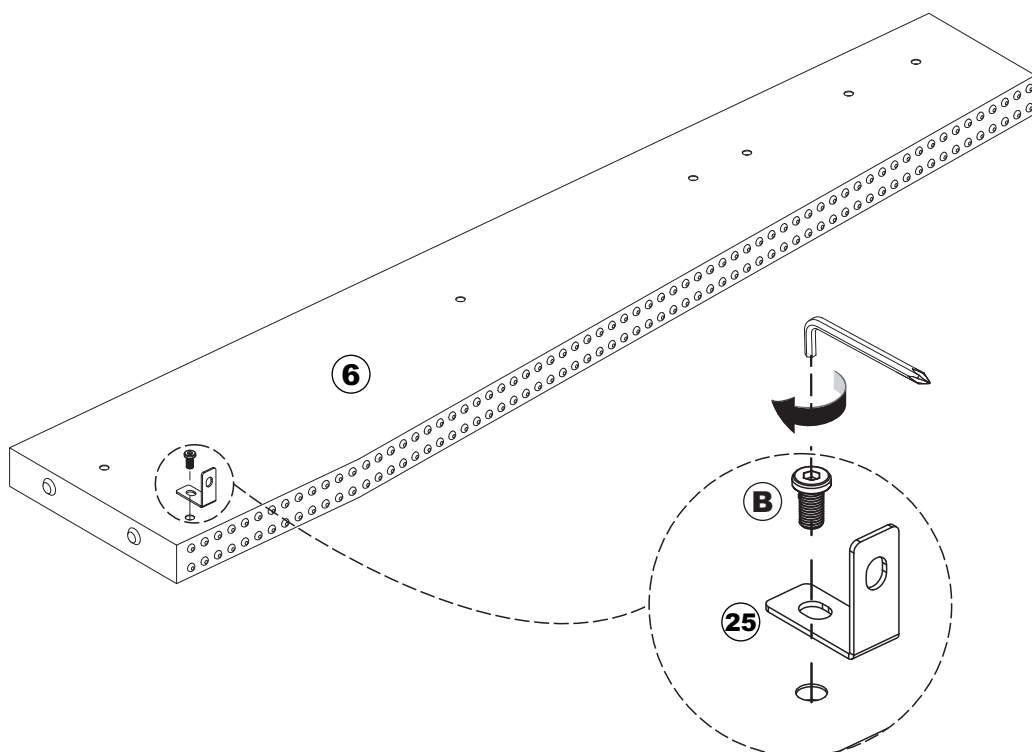
## STEP 13

**G**  M6\*38mm x2



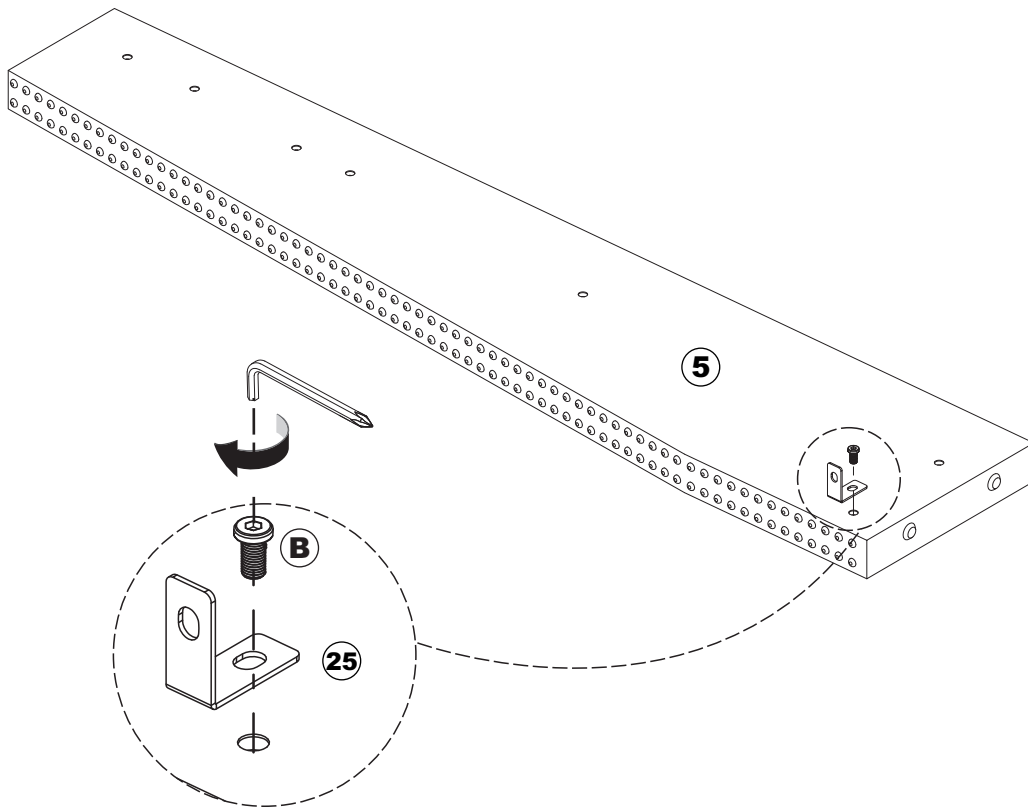
## STEP 14

**B**  M8\*25mm x1



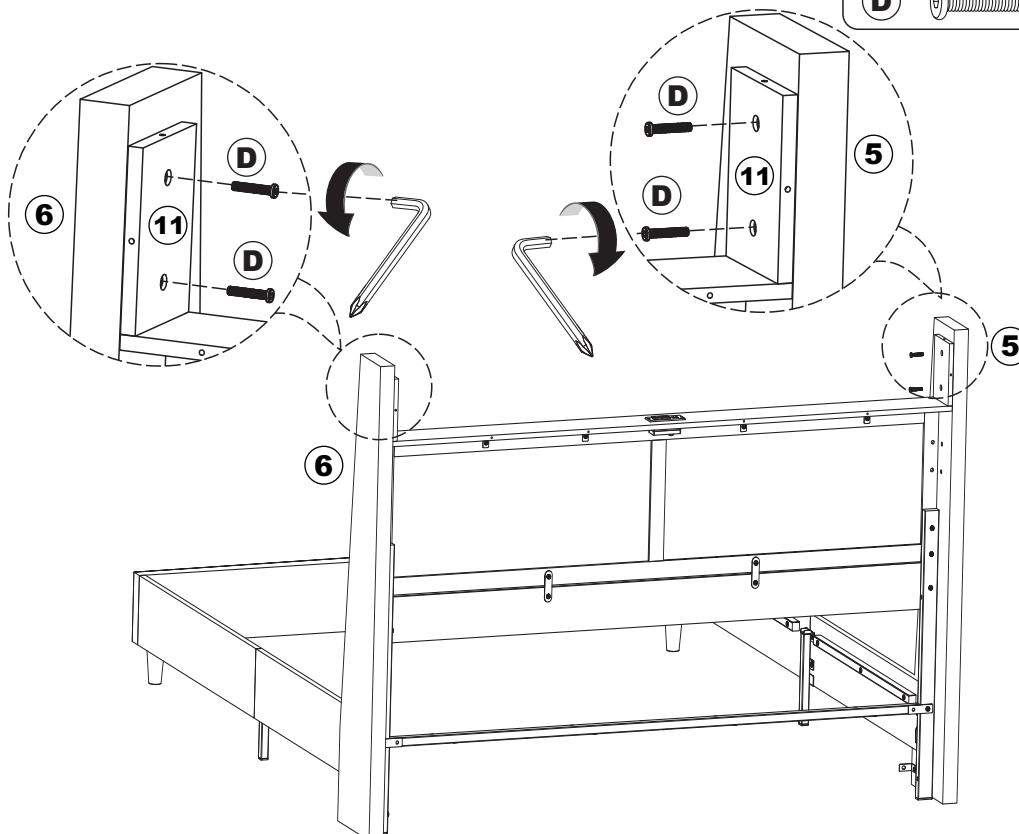
## STEP 15

**B**  M8\*25mm x1

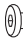


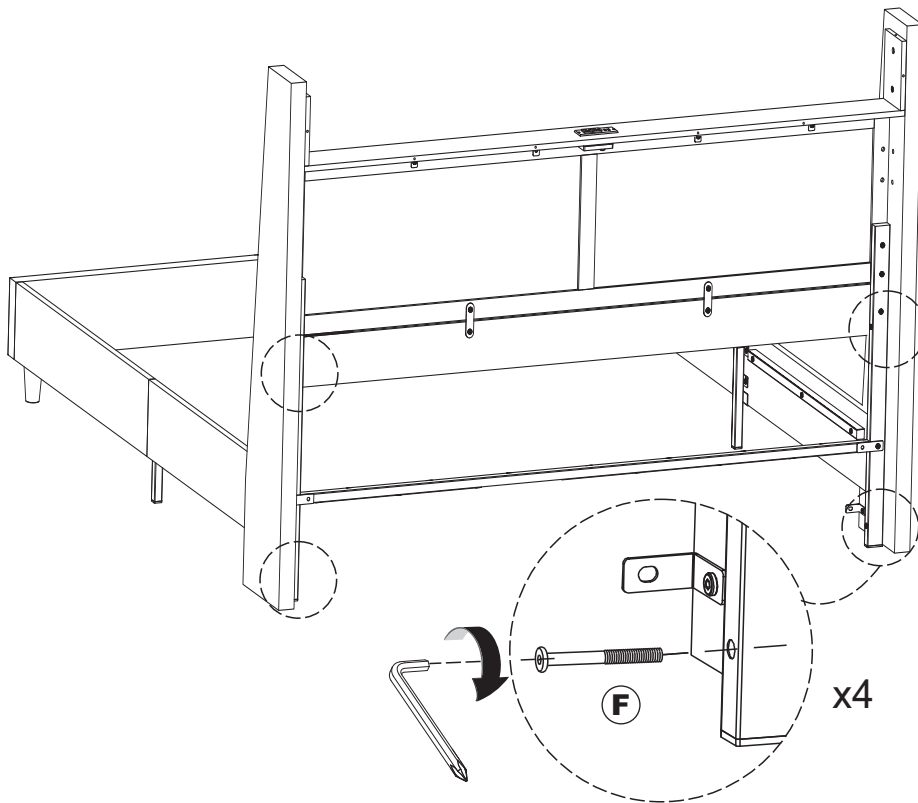
## STEP 16

**D**  M8\*40mm x4



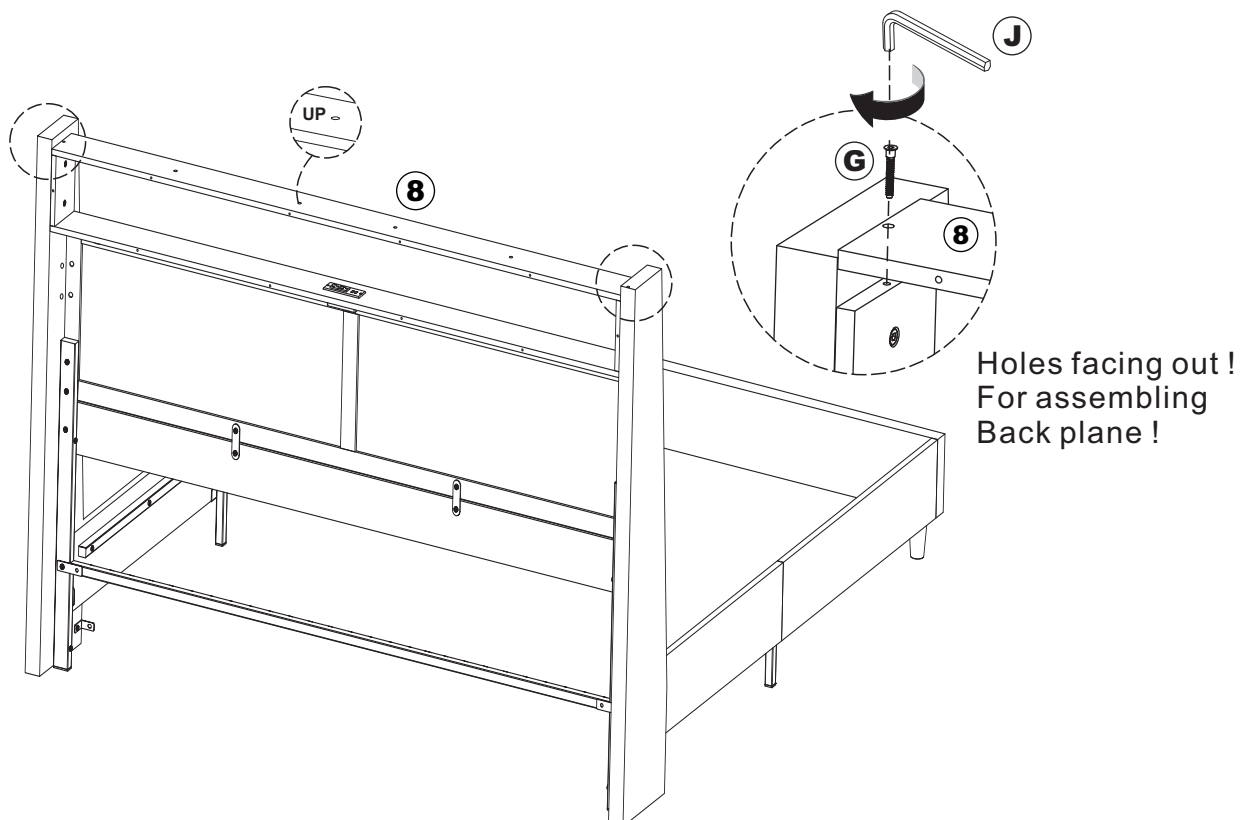
## STEP 17

**F**  M8\*75mm x4



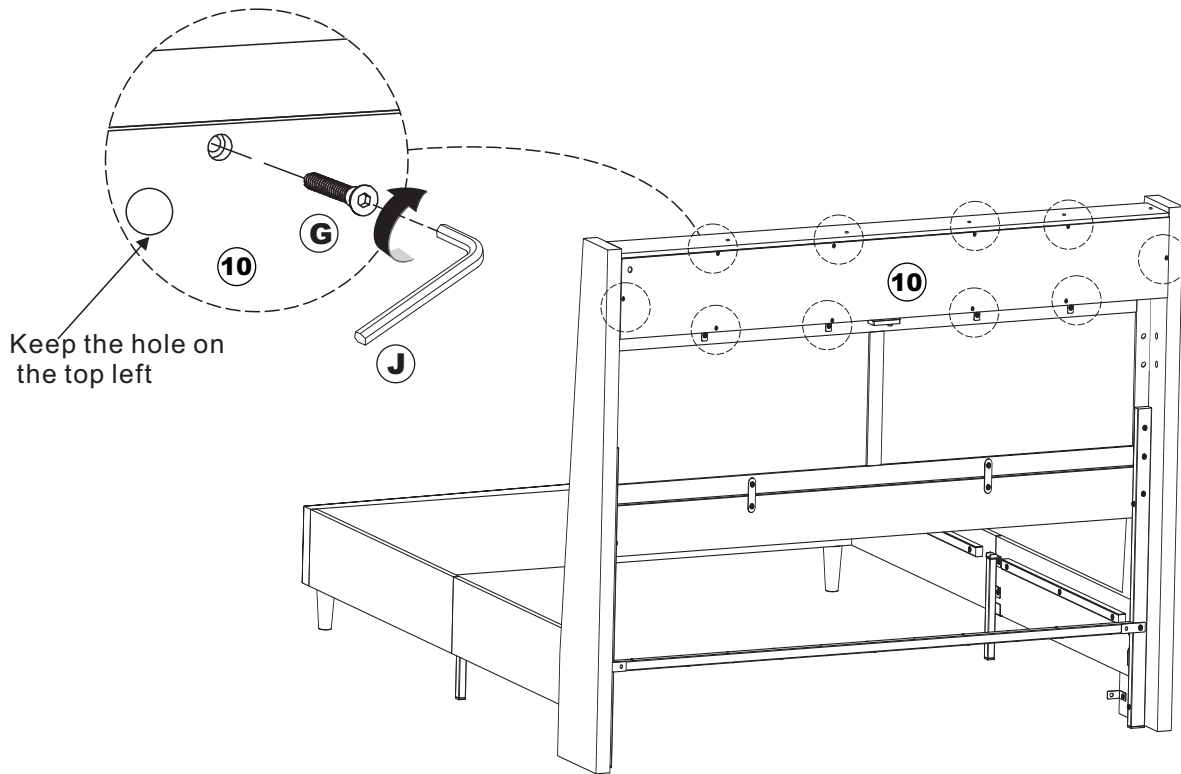
## STEP 18

**G**  M6\*38mm x2



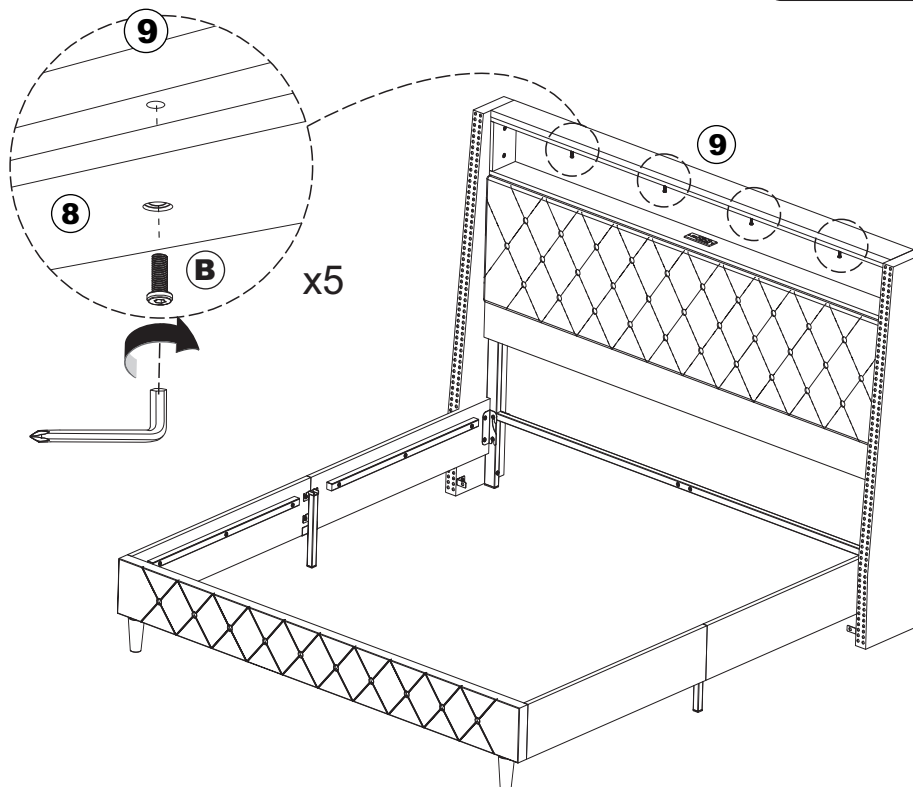
## STEP 19

**G**  M6\*38mm x10



## STEP 20

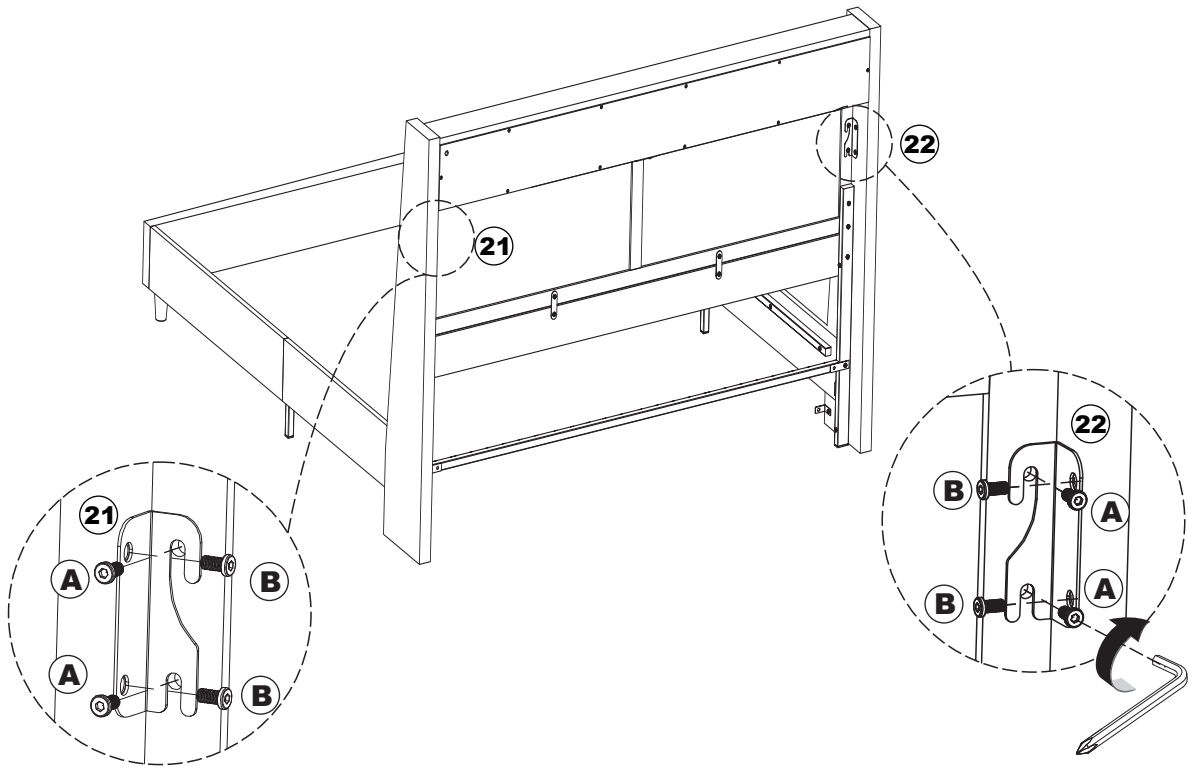
**B**  M8\*25mm x4



## STEP 21

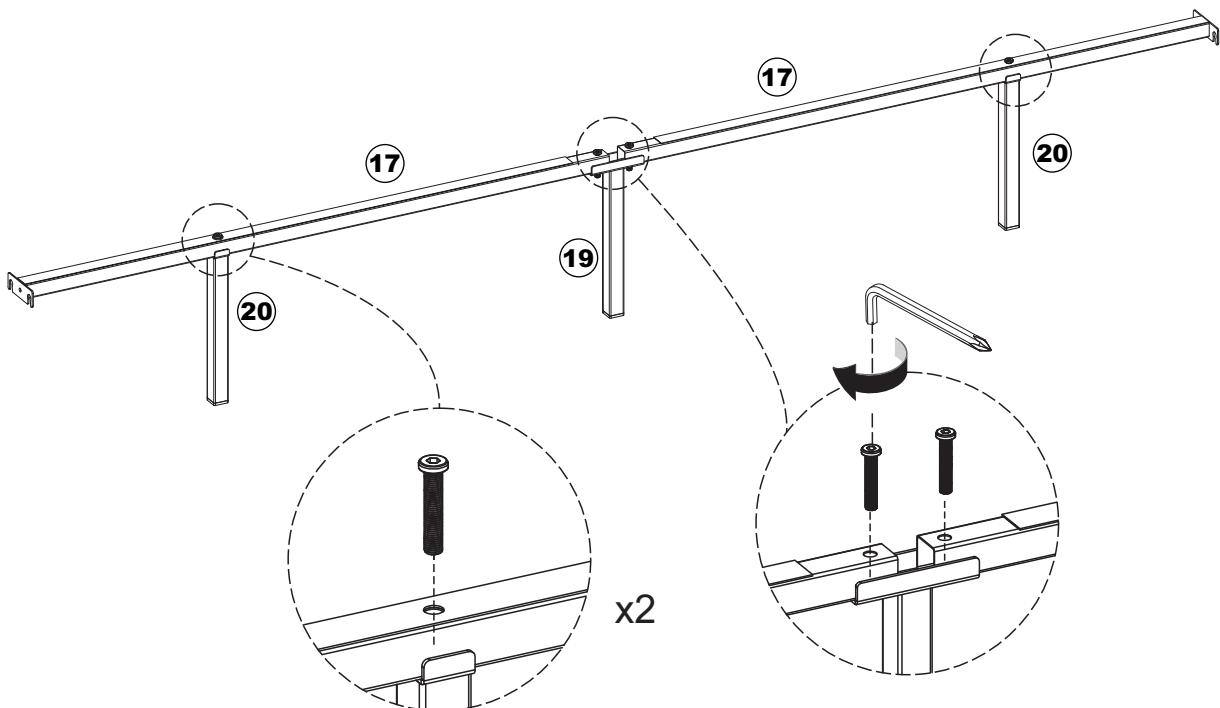
**A**  M8\*18mm x4

**B**  M8\*25mm x4



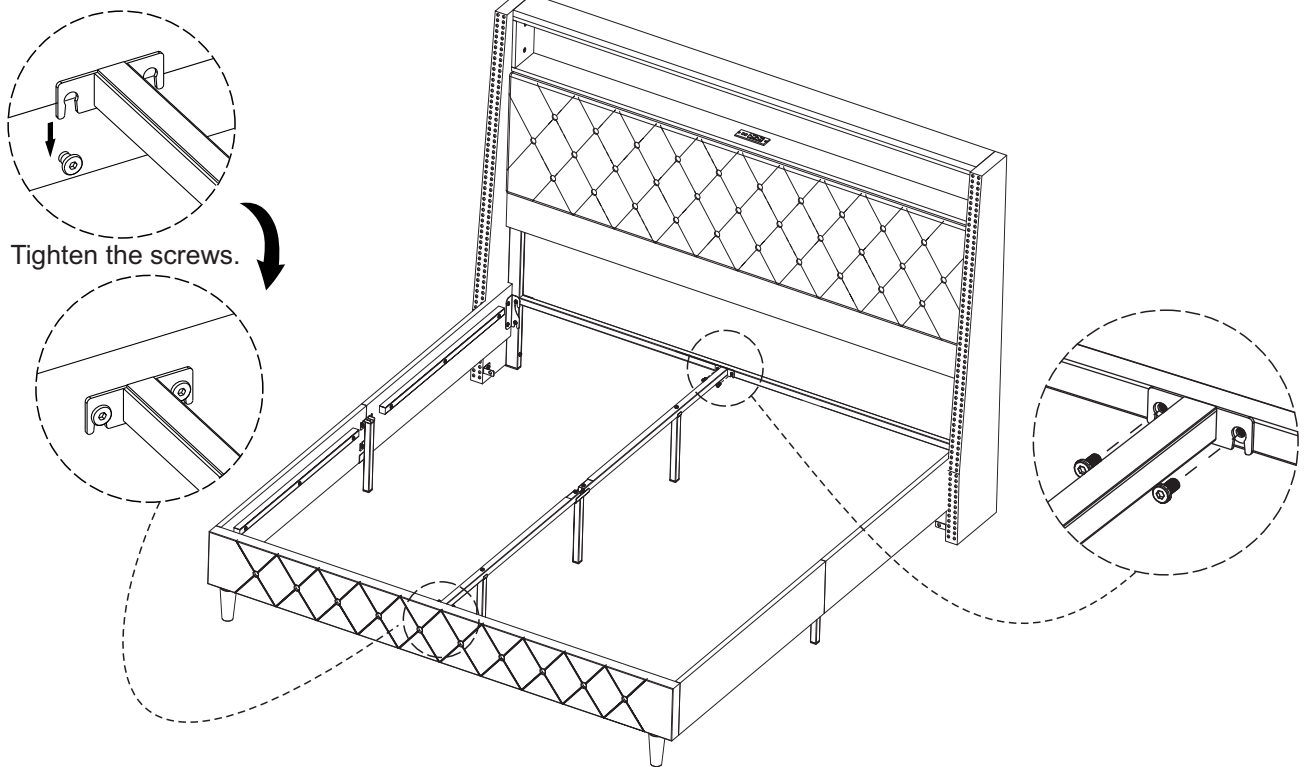
## STEP 22

**D**  M8\*40mm x4



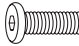
## STEP 23

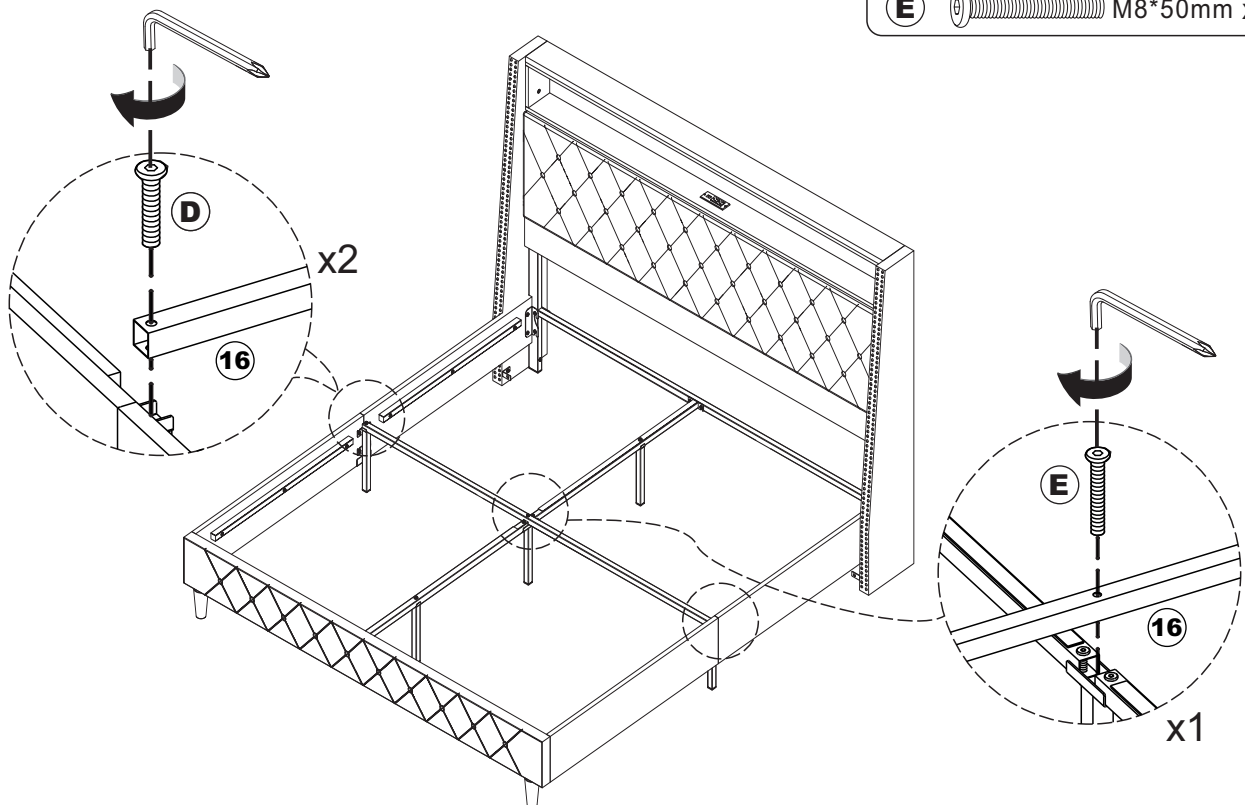
**A**  M8\*18mm x4



## STEP 24

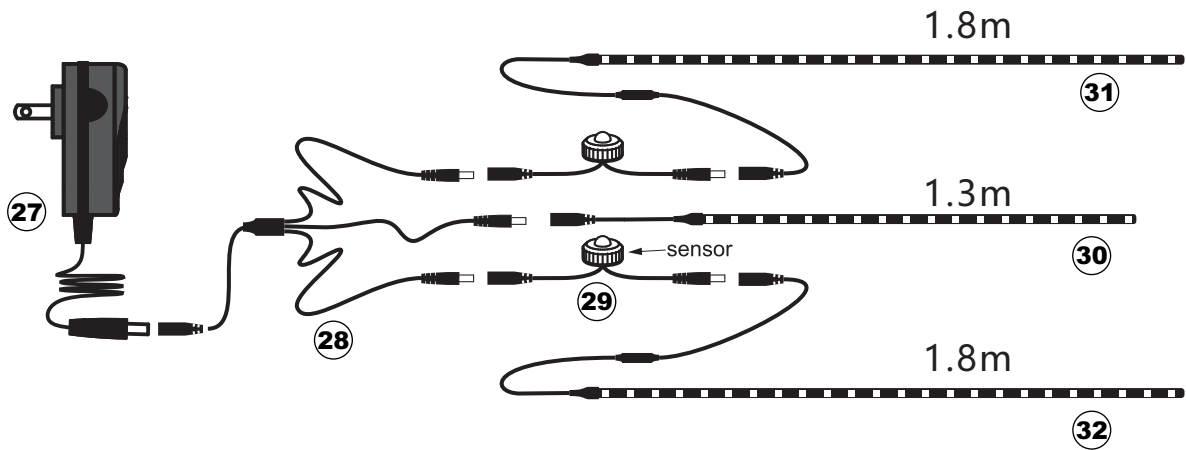
**D**  M8\*40mm x2

**E**  M8\*50mm x1



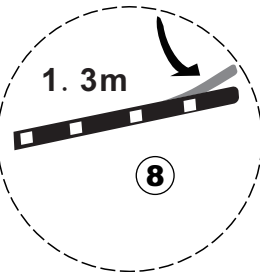
## STEP 25

### LED

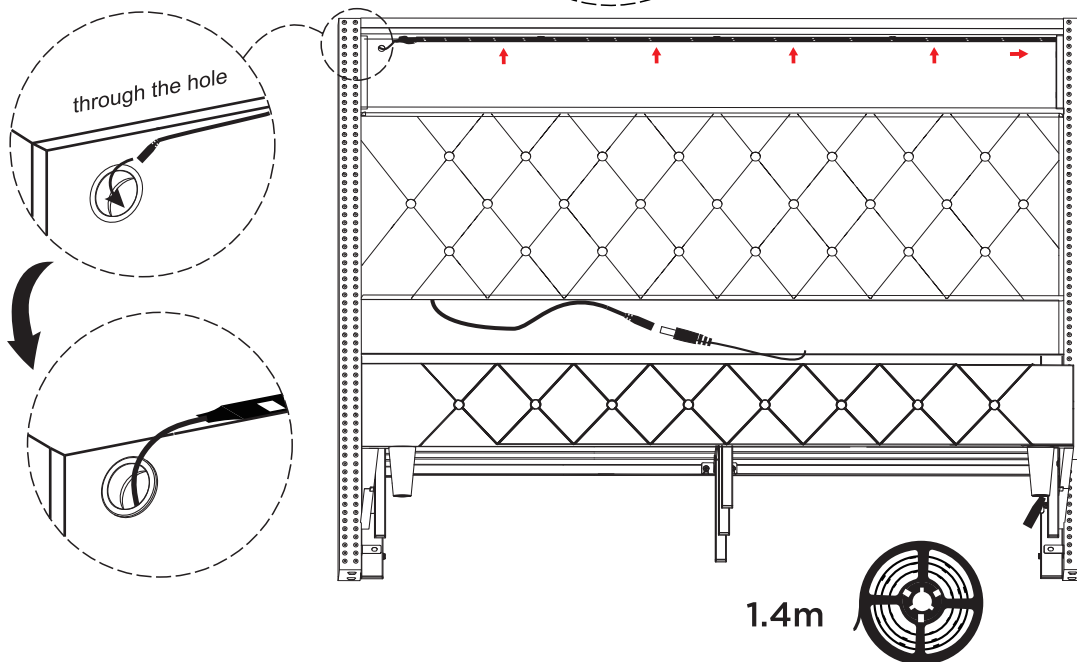


## STEP 26

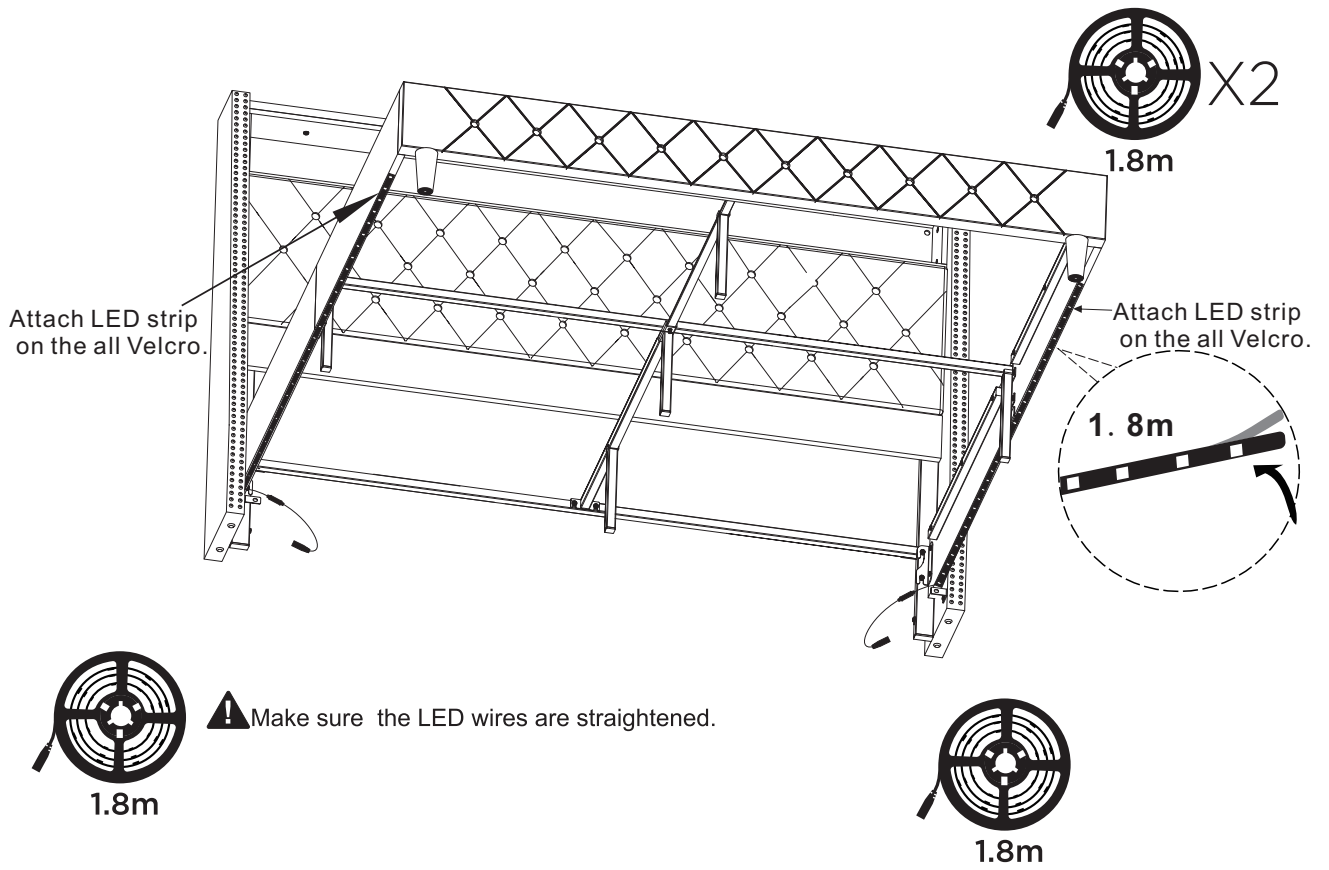
Attach LED strip on the all Velcro.



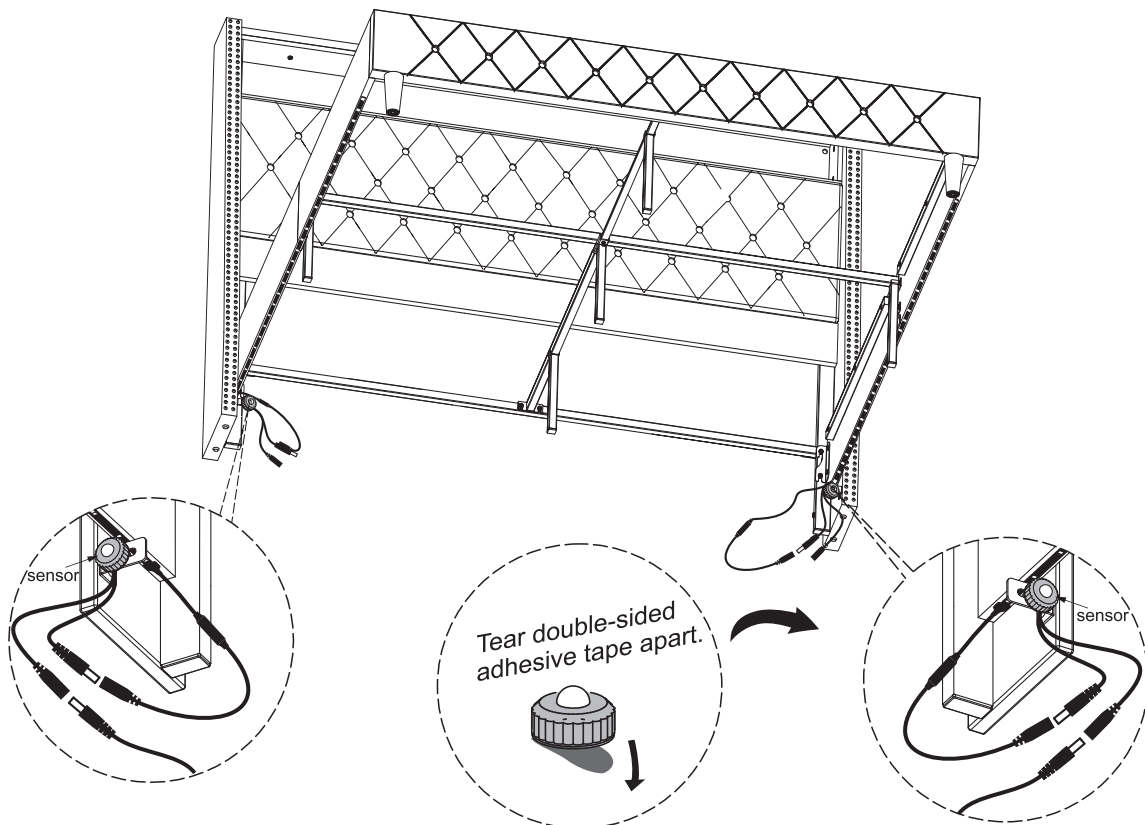
Please stick the light strip along the edge of the board.



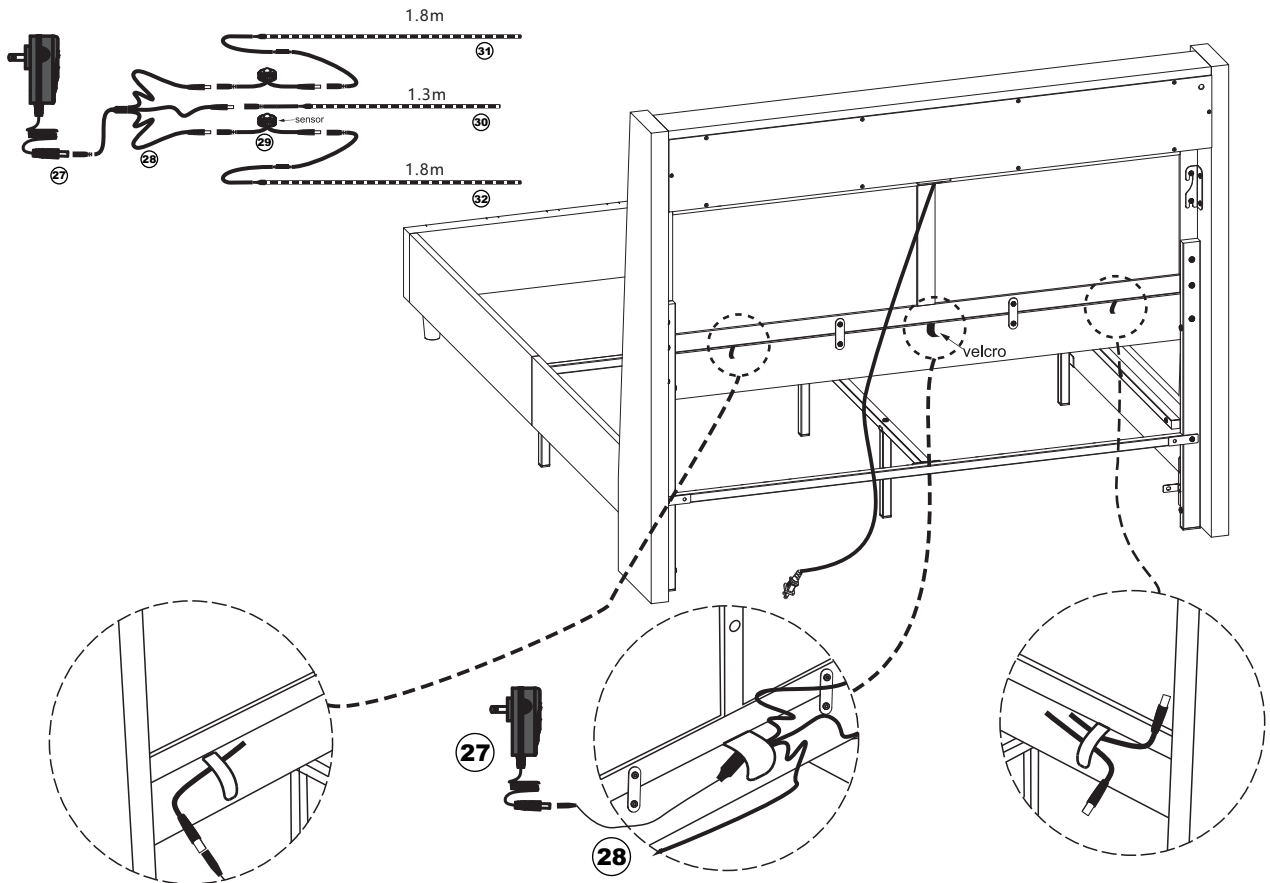
## STEP 27



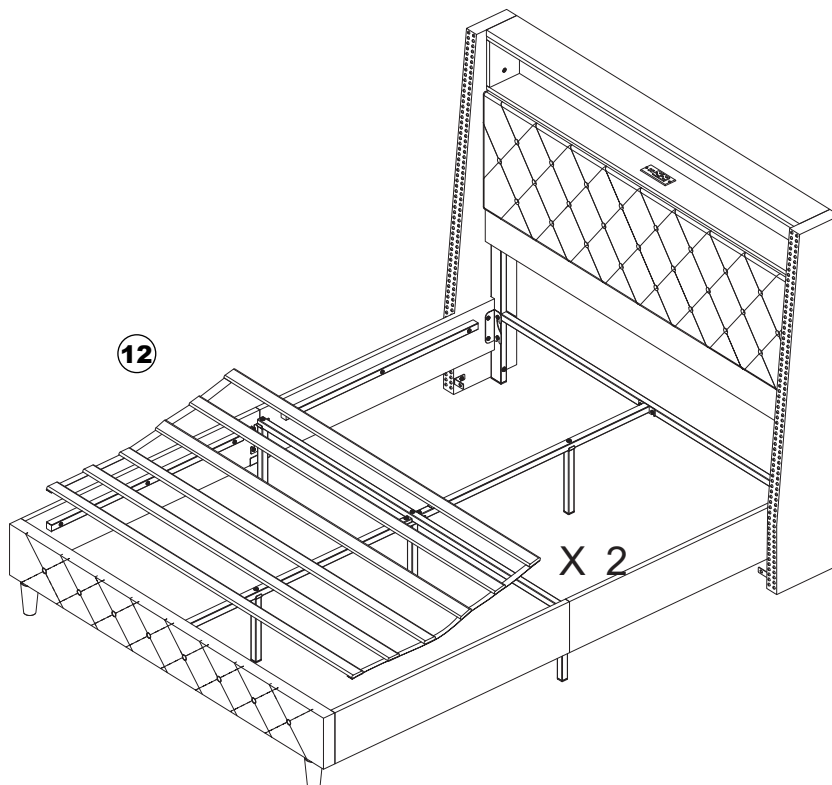
## STEP 28



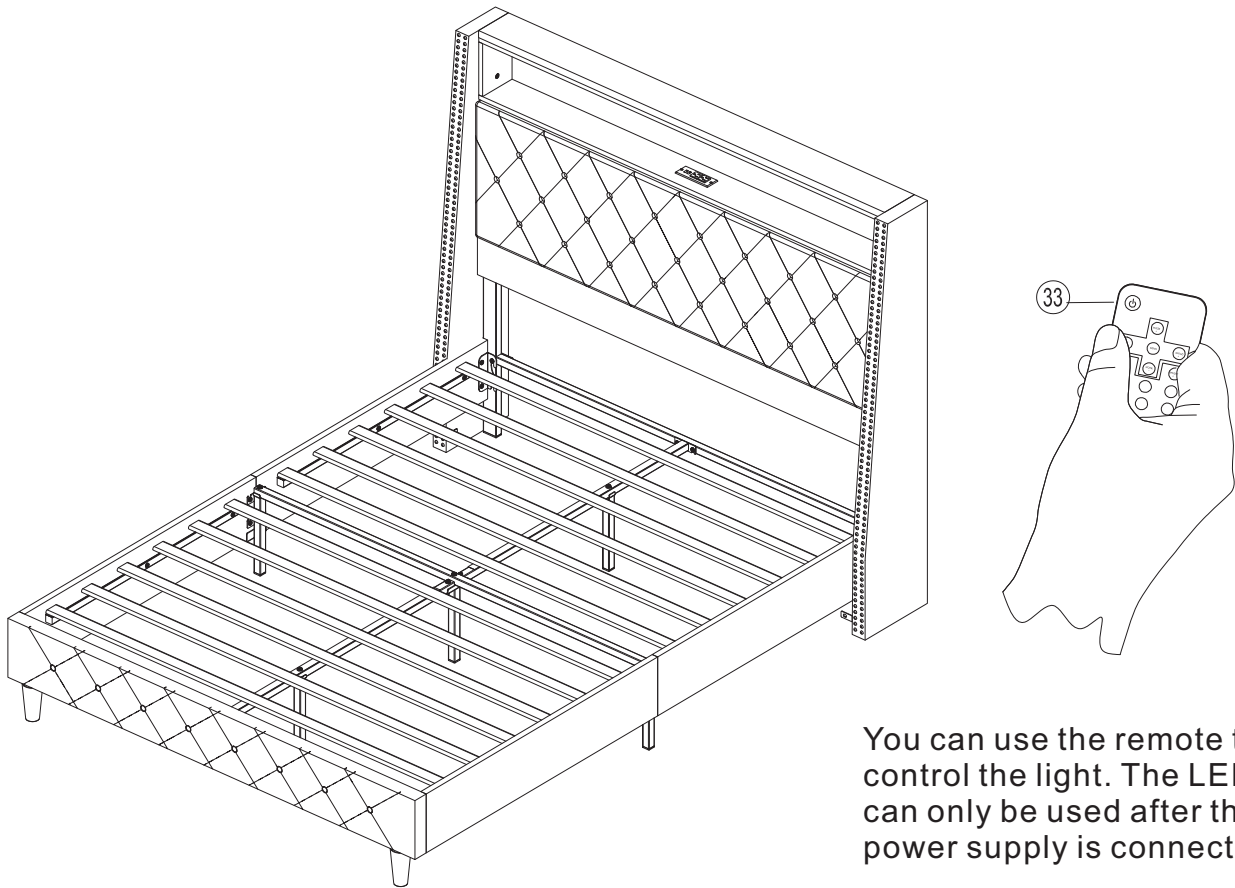
## STEP 29



## STEP 30

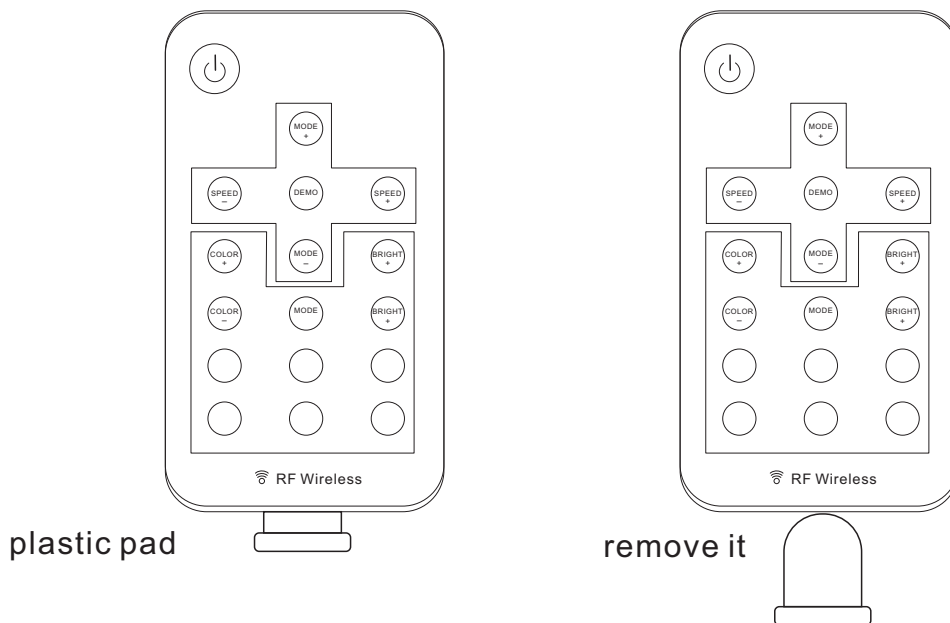


## STEP 31



You can use the remote to control the light. The LED lam can only be used after the power supply is connected.

## STEP 32



Remove the plastic pad on the remote control after the installation was complete and start the remote operation without direction restriction.

## MAINTAINANCE AND WARNING

- Keep furniture away from heat
- Do not dean furniture with harsh cleansers or polish
- Do not use detergents, Solvents, abrasives, spray packs or leather cleaner .
- Use non-color mild soap with warm water clean spills(Mix1:10 soap to water )
- Do not place furniture under direct sunlight , material will possibly fade over time .
- Donot use on site dry Cleaning machine .
- Children should not climb or jump on the furniture.
- Do not write on furniture without a padded barrier to protect the surface.
- Not for commercial use, For residential use only.
- The maximum load is 900 LBS.

## WARRANTY

We strive to offer high , quality products , and we also try our best to satisfy each and every customer that orders from us with product or service as needed. We provide 30 days warranty starting from the time you receive the item. Each customer must provide a record of their order such as the order number, or item receipt for any items that are out of the warranty period you may also still receive replacement parts by purchasing them with our company if they are available.

For return, please check the return policy with the retailer or market place you bought from. Appreciate your purchasing from us. Pop up your life by our furniture piece!