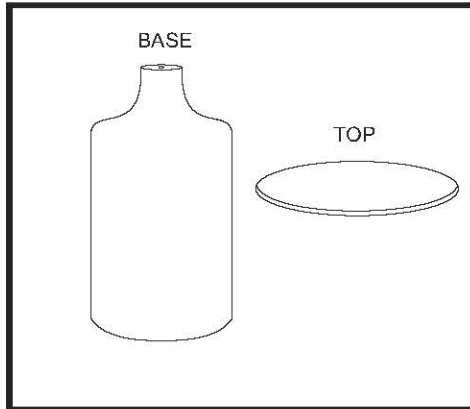
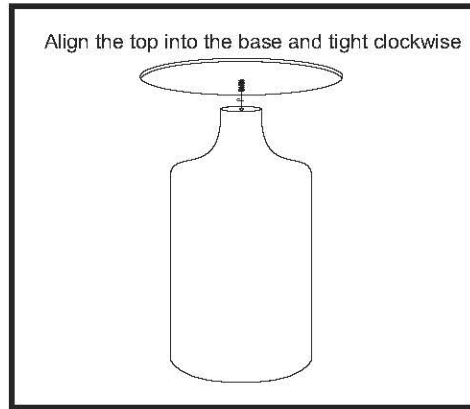


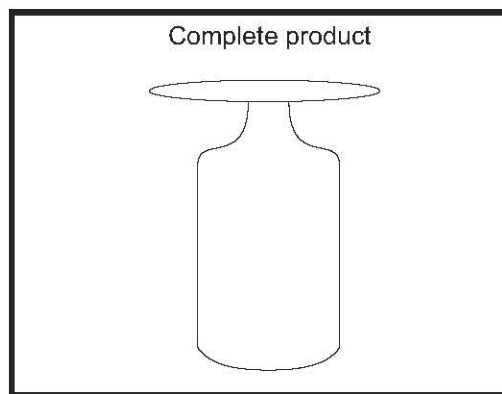
ASSEMBLY INSTRUCTION



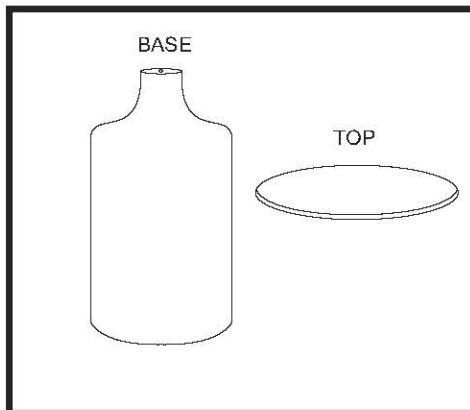
Collect all the parts



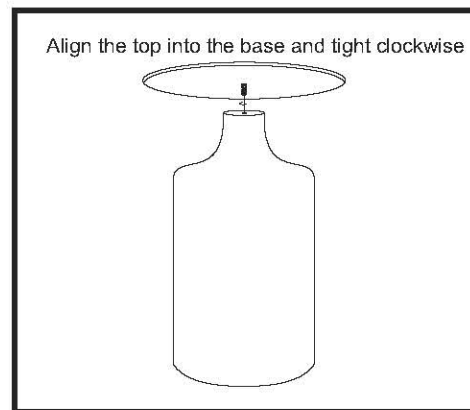
Step 2



ASSEMBLY INSTRUCTION



Collect all the parts



Step 2

