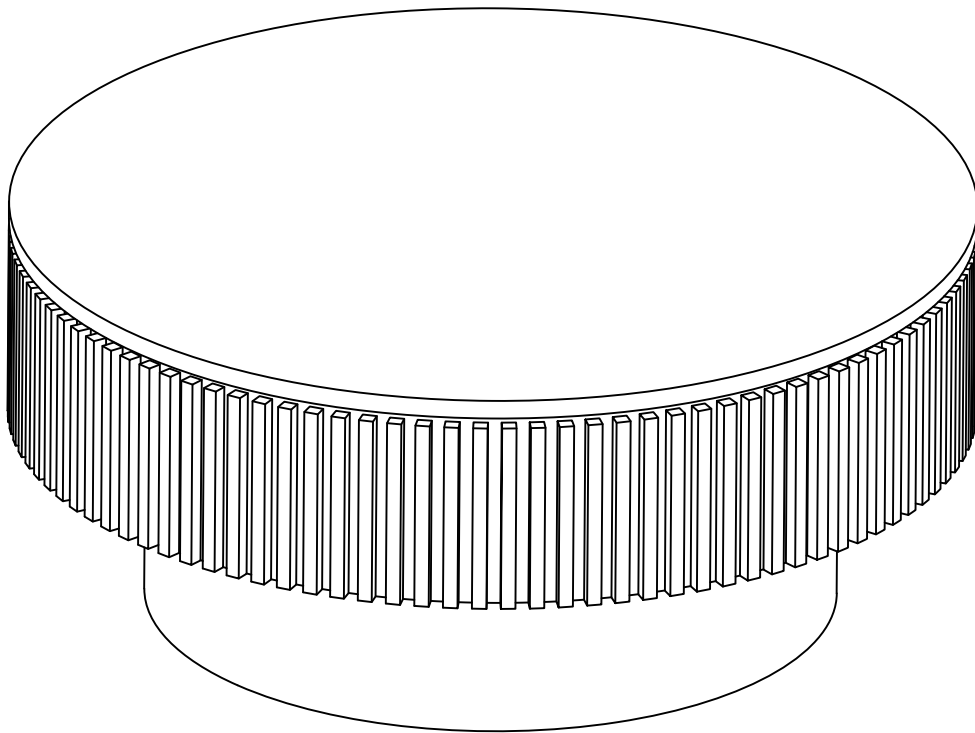


Assembly Instructions

Caution: You must read this before you proceed

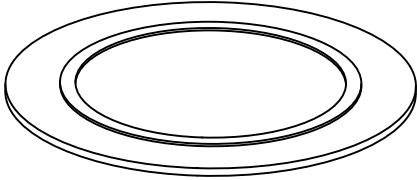
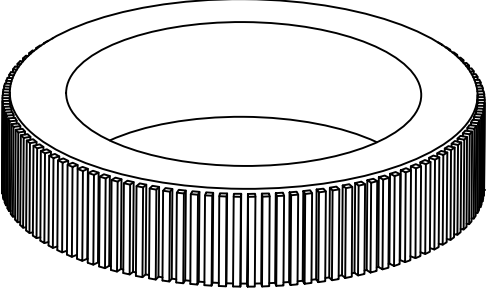
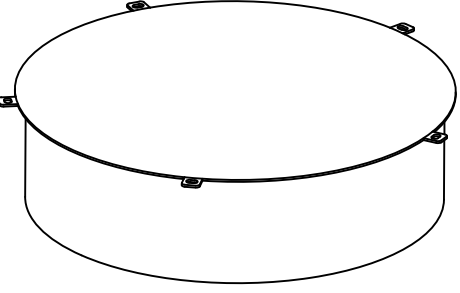
Coffee Table



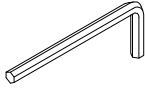

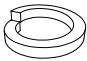
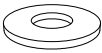
Product name:

Coffee Table

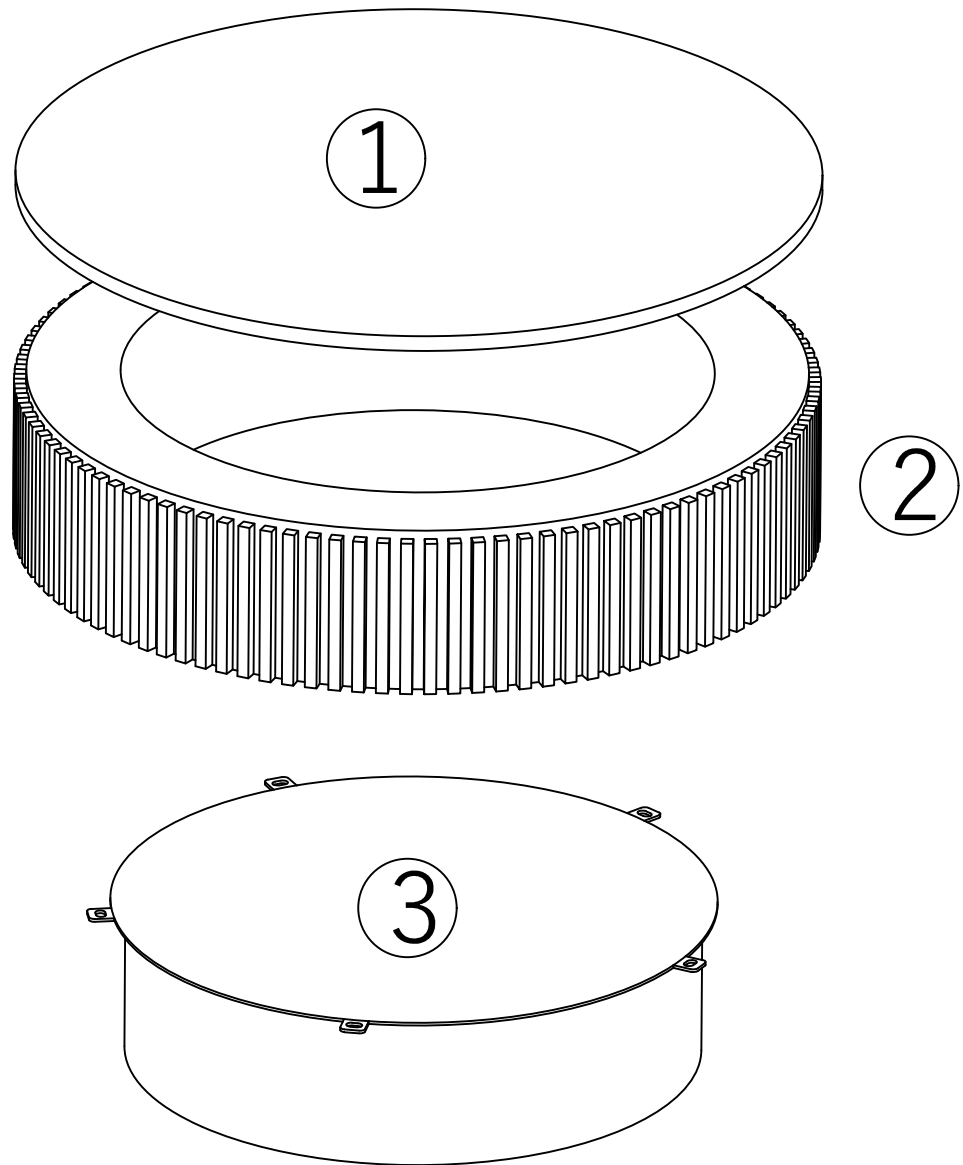
Parts list

Label		Description	QTY
①	 A line drawing of a circular table top with a double-rimmed edge.	Table top	1
②	 A line drawing of a circular top frame with a fluted, ribbed outer edge.	Top frame	1
③	 A line drawing of a circular bottom frame with a flat top surface and four small feet or supports around the perimeter.	Bottom frame	1

Hardware

Label	Picture	Description	QTY
A		Ø1/4" Allen wrench	1
B		Ø1/4"*3/4" bolt	5
C		Ø1/4" lock washer	5
D		Ø1/4"x16mm flat washer	5

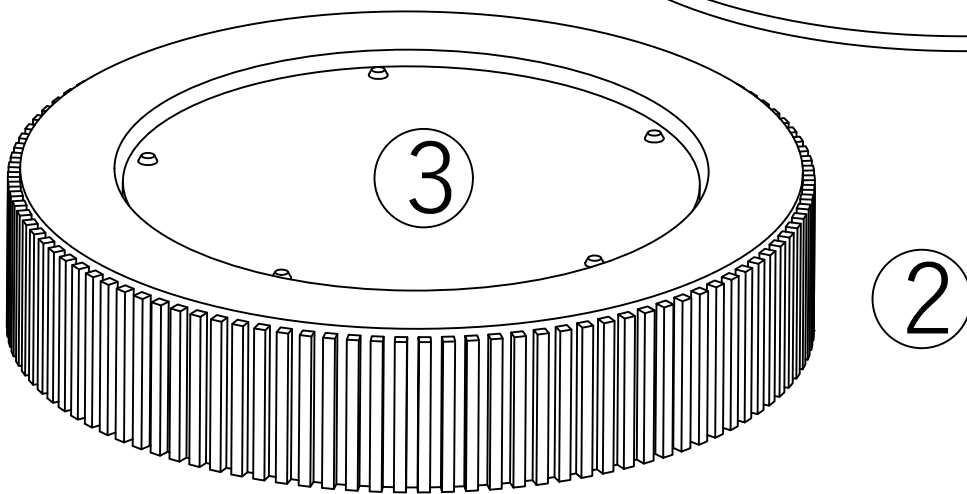
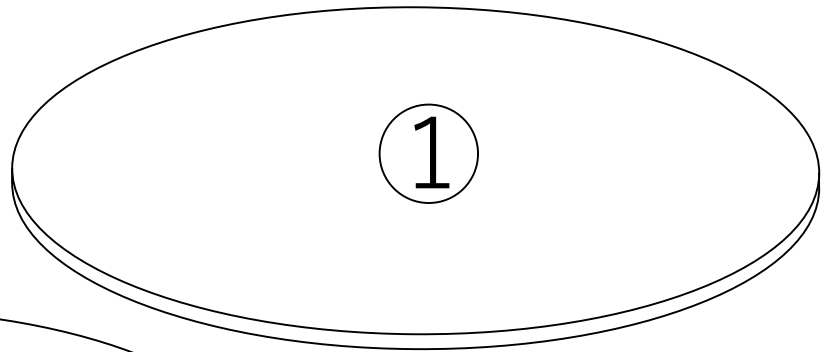
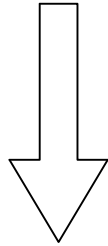
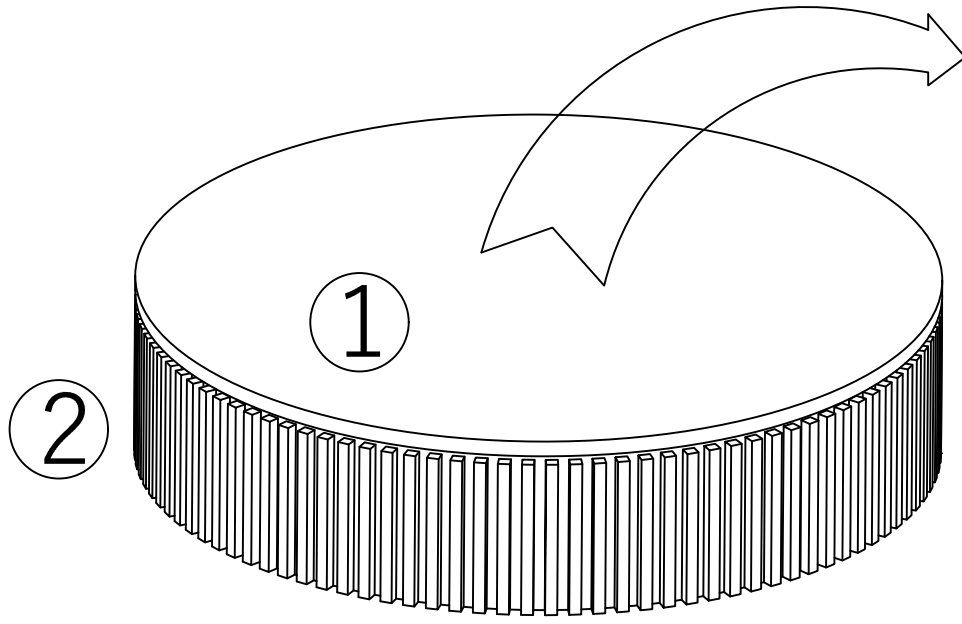
Overview



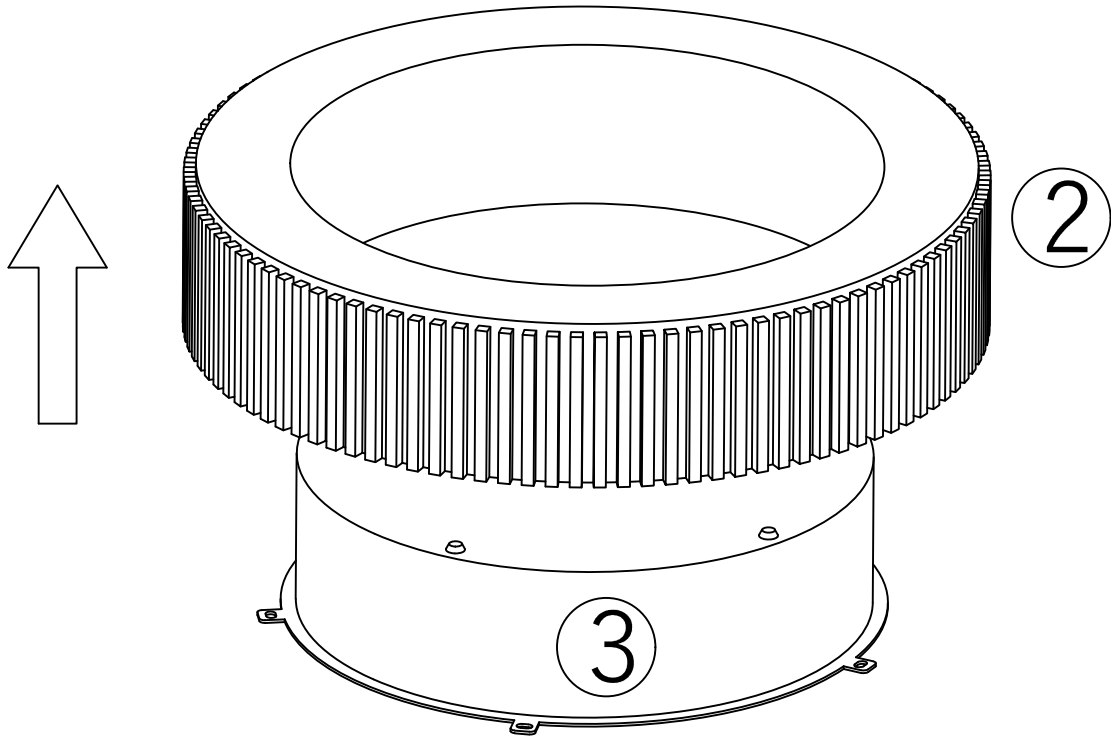
IMPORTANT :

- Read the instructions carefully from cover to cover.
- Do not assemble on flooring or carpet.
- Assemble on a clean non-marring surface (packing foam).
- Save all packaging until finished.
- Do not tighten bolts / screws completely until all bolts / screws are lined up and inserted into holes.
- Do not over tighten screws and bolts to avoid stripping.
- Please always use hand tools to assemble this product and never use power tools.

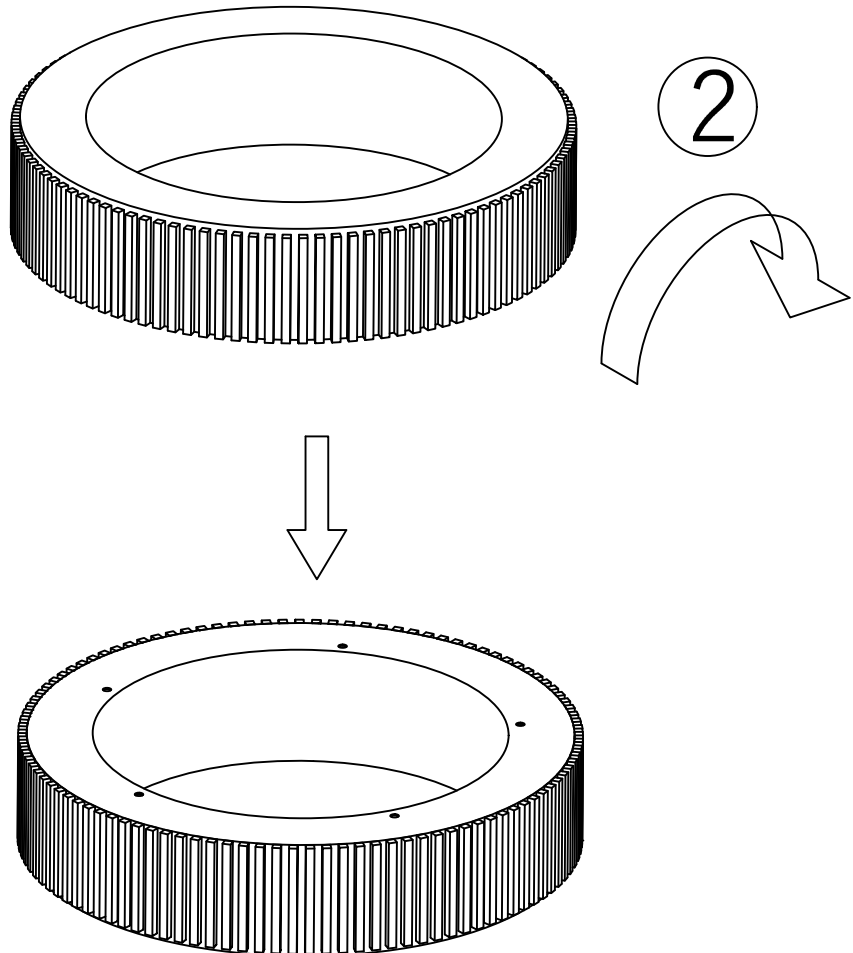
Step 1



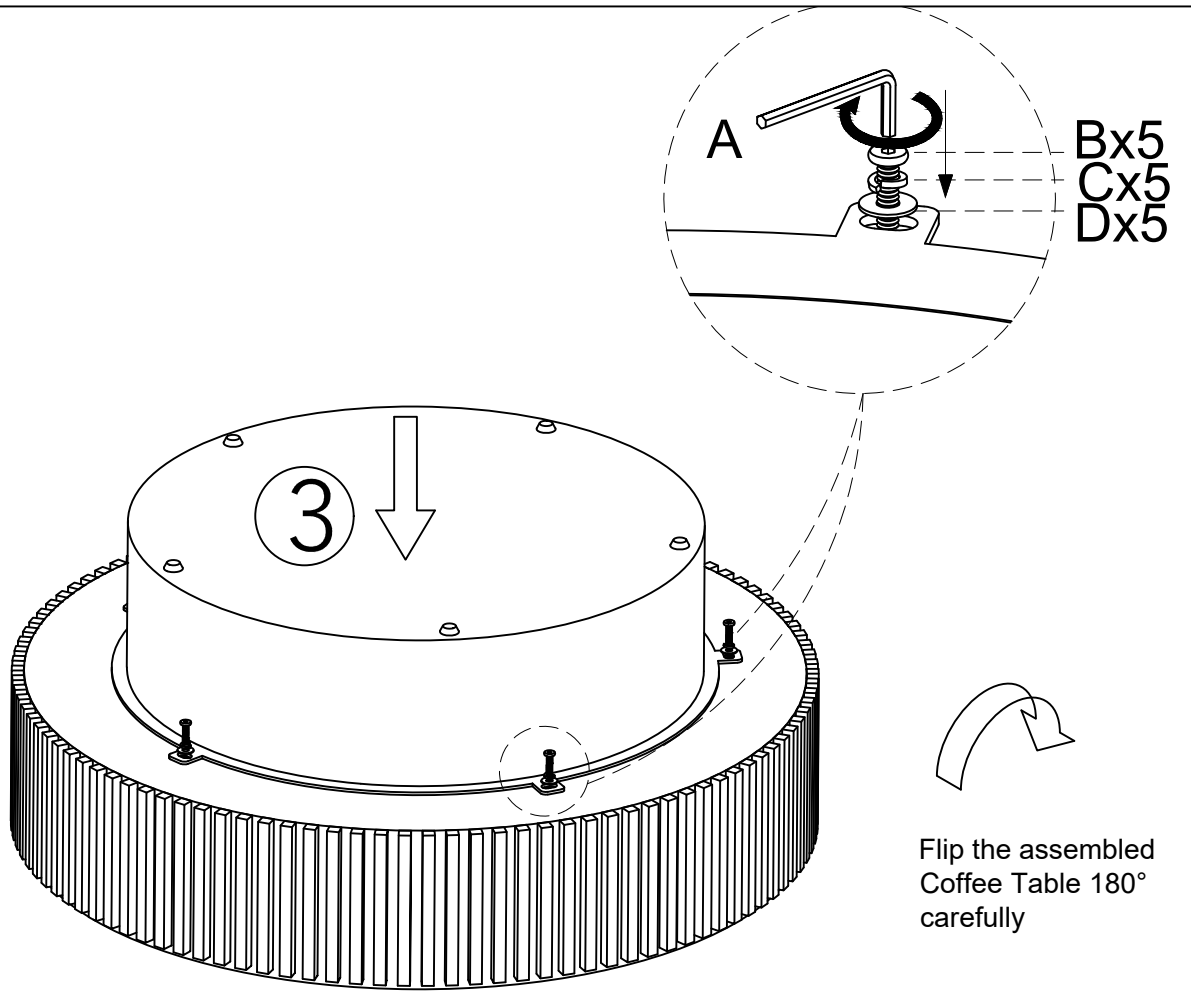
Step 2



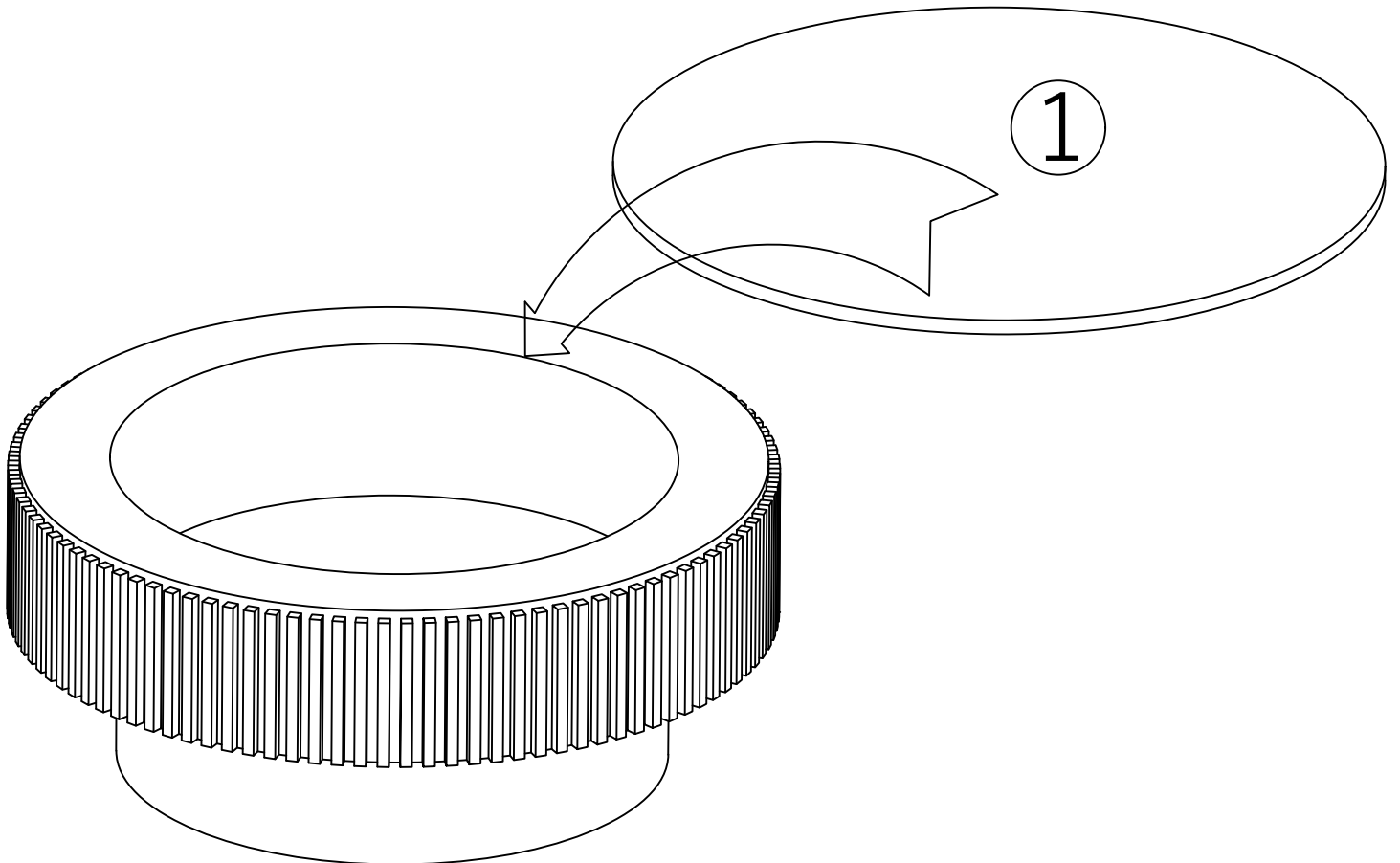
Step 3



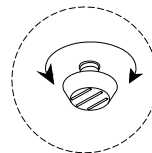
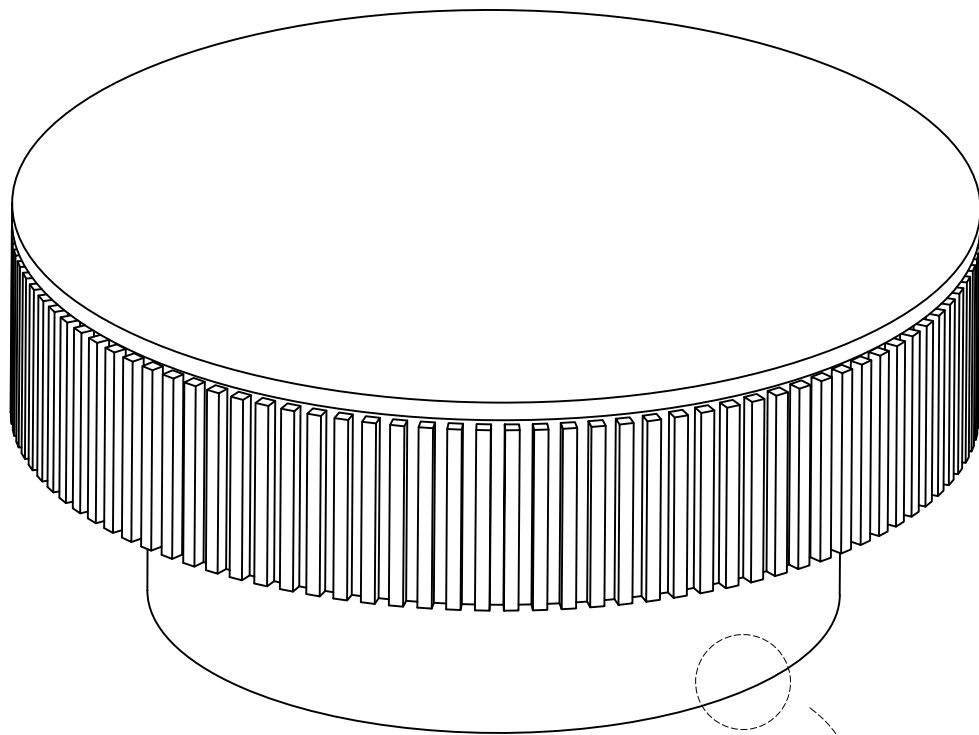
Step 4



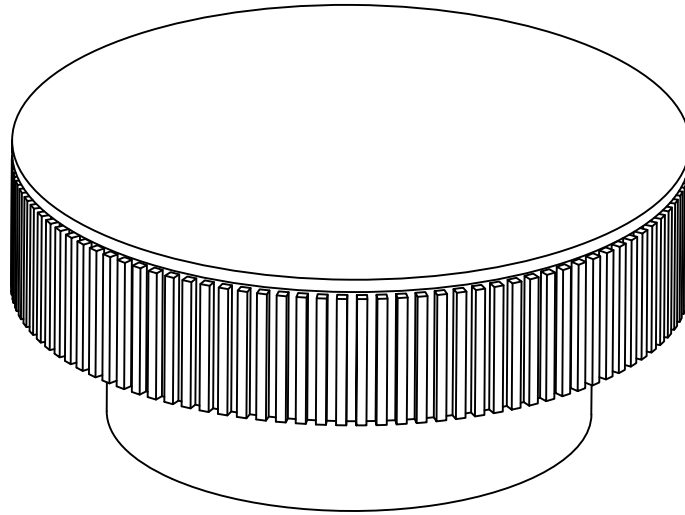
Step 5



Step 6



Note: the legs can be adjusted with adjustable feet.



Your Item is ready for use.
This Item should only be used on a flat, level surface.

Care & Maintenance

- Furniture may scratch the floor. We recommend using furniture pads to protect your floors.
- Avoid placing heavy objects on the tabletop.
- Do not put hot items directly on furniture surface.
- Do not clean furniture with harsh cleansers or polishers.
- Do not place furniture under direct sunlight.
- Do not place furniture near heating or cooling vents.
- Do not expose the product to high temperatures or humid environments.
- Do not write on furniture without a padded barrier to protect the surface.
- Do not place furniture outside. For indoor use only.
- Stains may be removed with mild soap solution and damp cloth.
- Children should not climb or jump on the furniture.
- Dust and clean up spills using a clean, non-colored, lint-free cloth.
- Regularly check screws to ensure stability.

Dear Customer,

Thank you for your purchase! We are committed to providing you with high-quality products and services. We hope you enjoy the comfort and convenience brought by this Item. If you have any further questions or any quality issues, please don't hesitate to contact our Customer Service People: