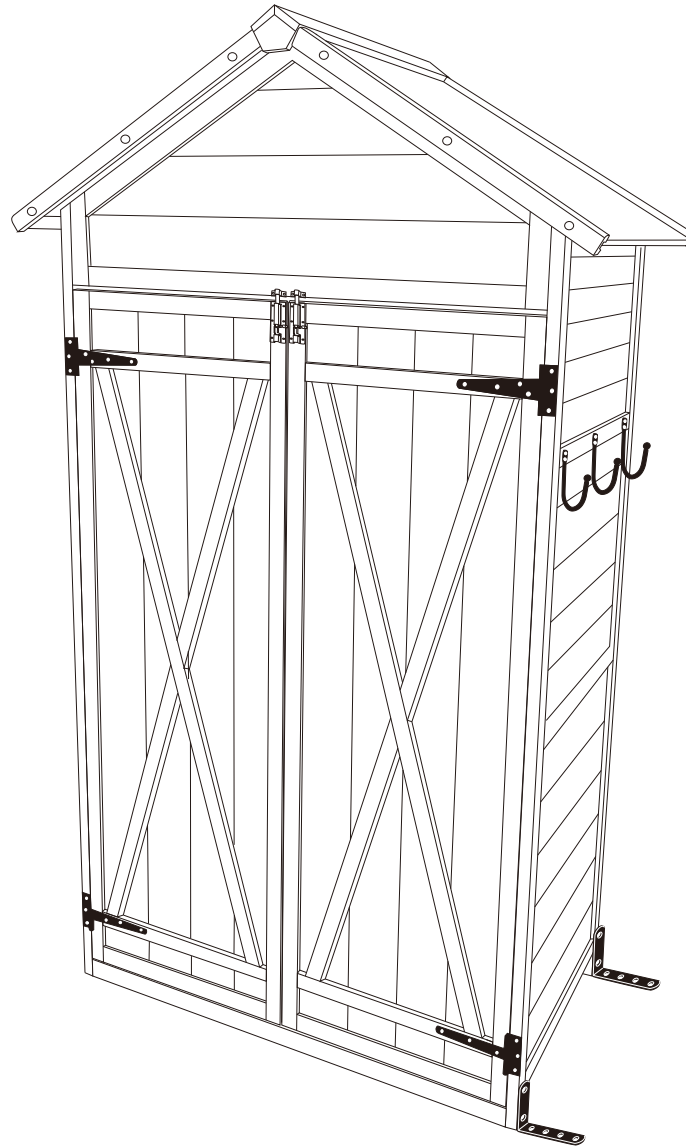
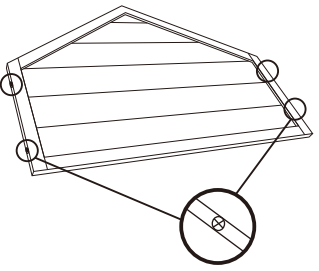
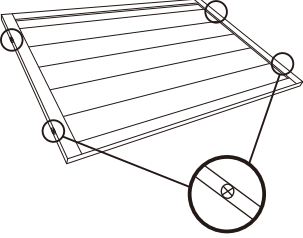
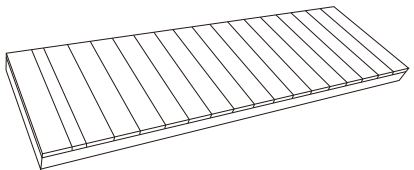
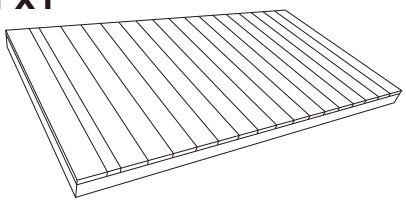
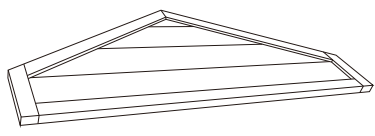
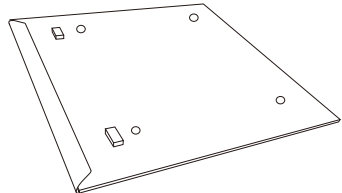
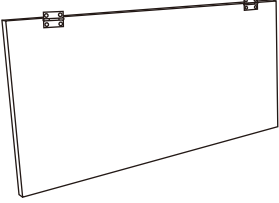
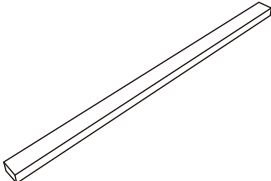
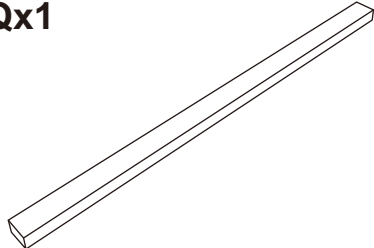


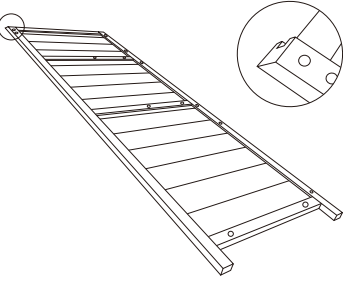
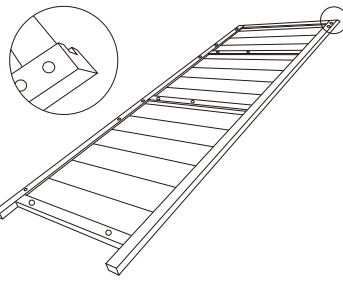
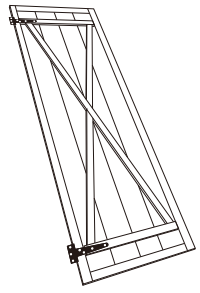
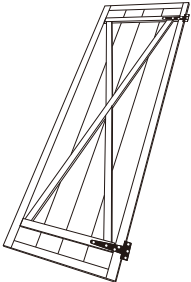
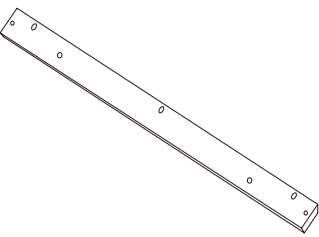
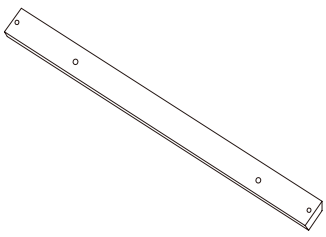
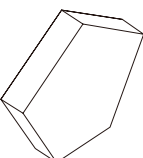
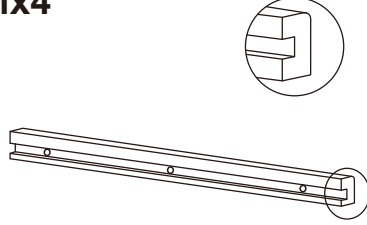
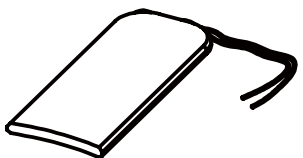
# INSTRUCTION MANUAL



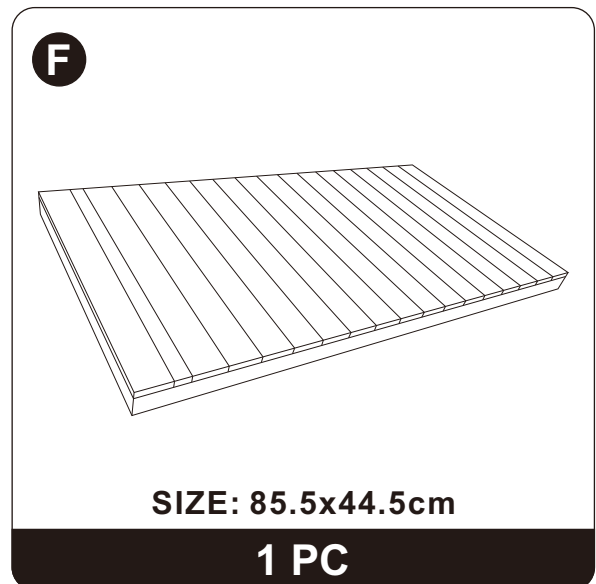
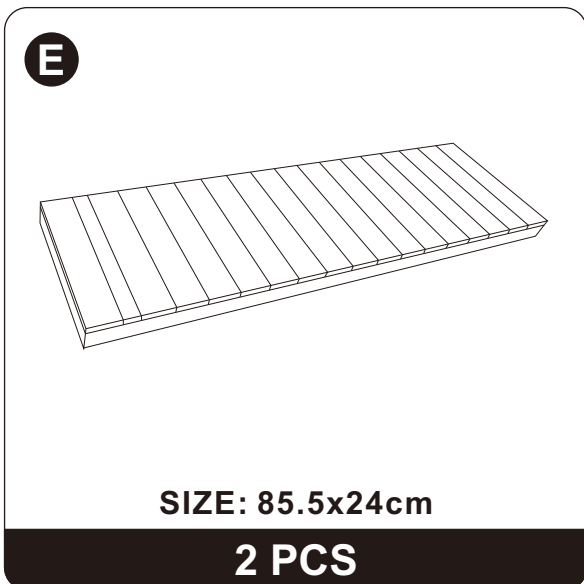
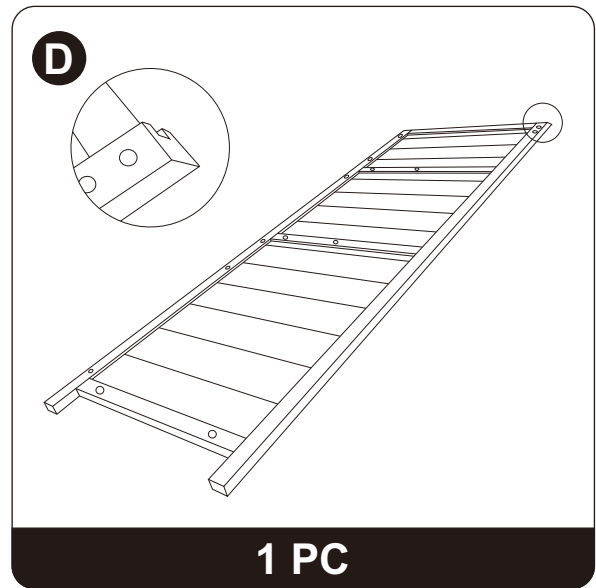
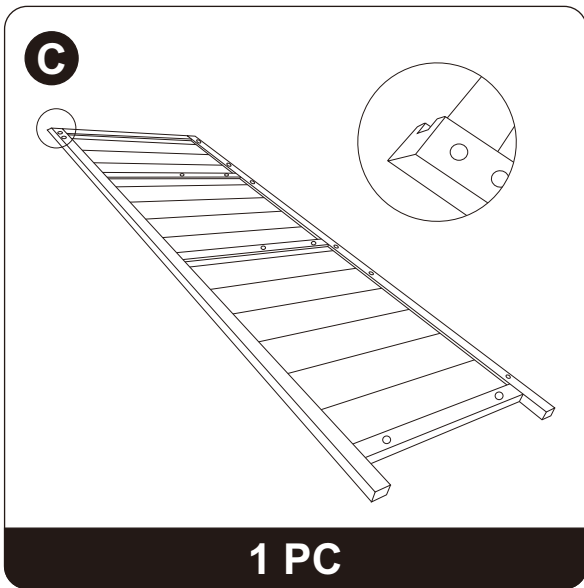
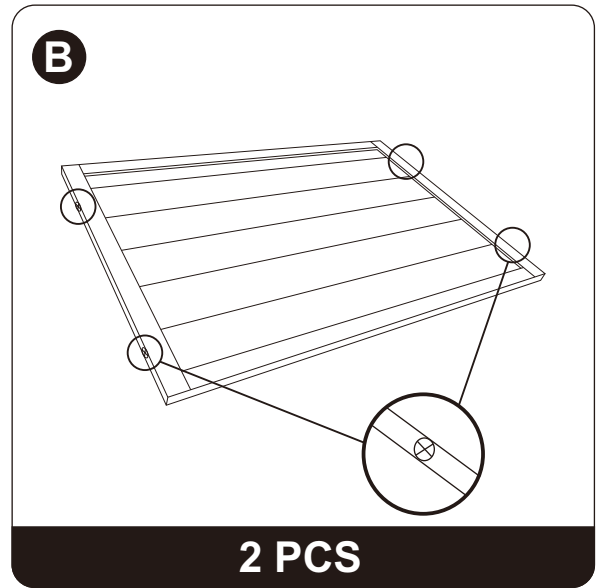
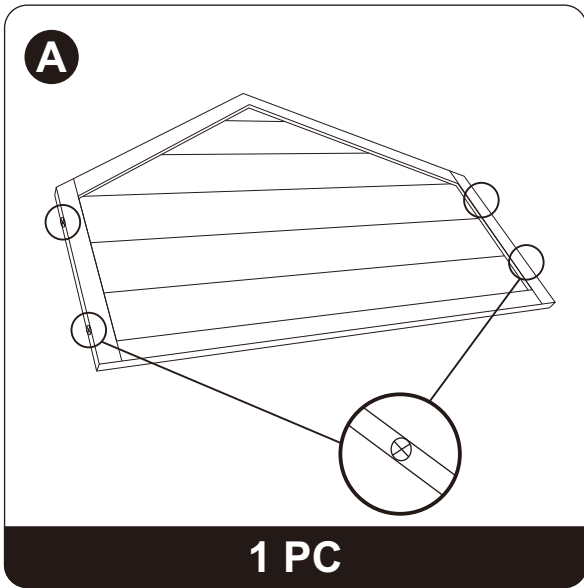
Please read the Manual carefully before operation. If the parts were missed or damaged, please contact us. We will reply and solve the problem for you in 24 hours.

# PACKING DETAILS: TOTAL 2 CARTONS

CARTON 1-2	<b>Ax1</b> 	<b>Bx2</b> 	<b>Ex2</b>  <b>SIZE: 85.5x24cm</b>	
	<b>Fx1</b>  <b>SIZE: 85.5x44.5cm</b>	<b>Gx1</b> 	<b>Nx2</b> 	
	<b>Ox1</b> 	<b>Px1</b>  <b>L:66cm</b>	<b>Qx1</b>  <b>L:85.5cm</b>	

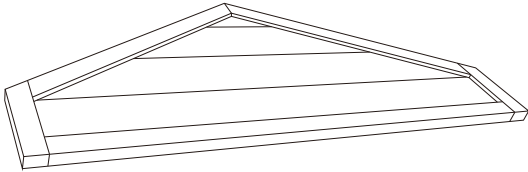
CARTON 2-2	<b>Cx1</b> 	<b>Dx1</b> 	<b>Hx1</b> 	
	<b>Ix1</b> 	<b>Jx1</b> 	<b>Kx1</b> 	
	<b>Lx2</b> 	<b>Mx4</b> 	 <b>Hardware Kit</b>	

# BOARD IDENTIFICATION



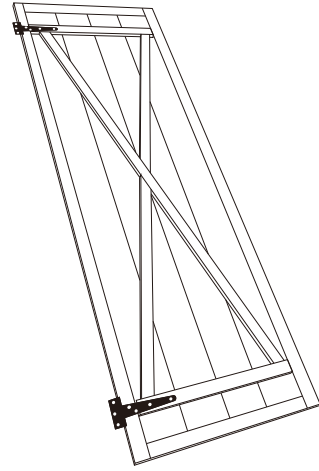
# BOARD IDENTIFICATION

**G**



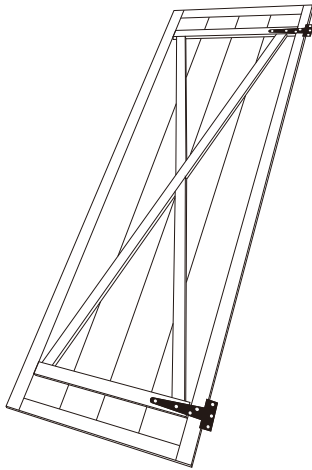
**1 PC**

**H**



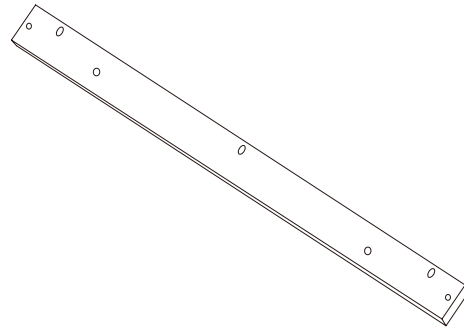
**1 PC**

**I**



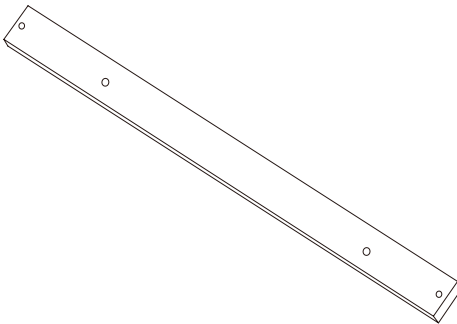
**1 PC**

**J**



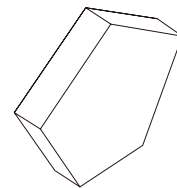
**1 PC**

**K**



**1 PC**

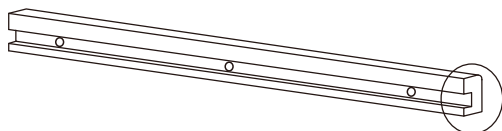
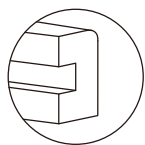
**L**



**2 PCS**

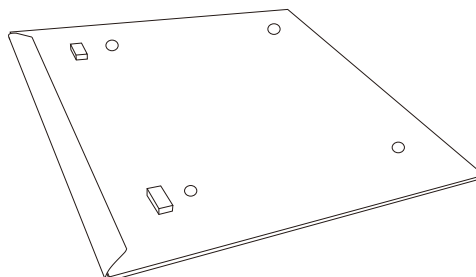
# BOARD IDENTIFICATION

**M**



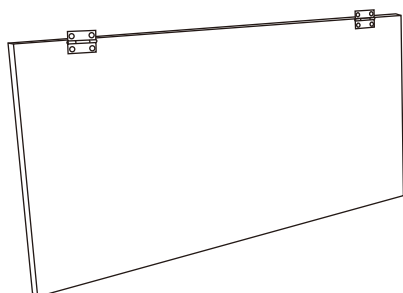
**4 PCS**

**N**



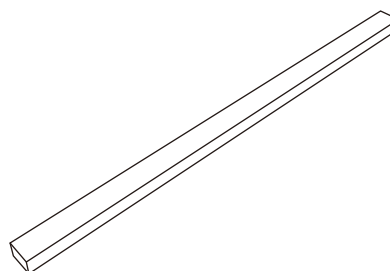
**2 PCS**

**O**



**1 PC**

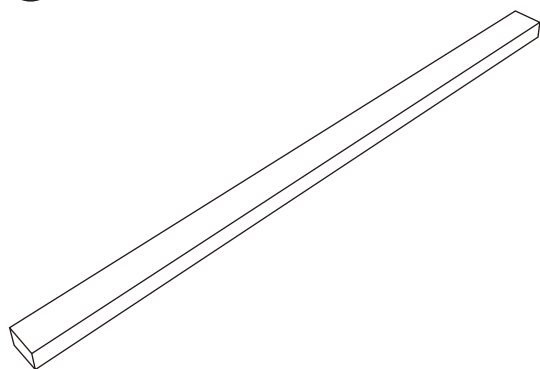
**P**



L: 66cm

**1 PC**

**Q**

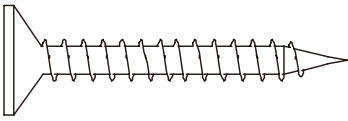


L: 85.5cm

**1 PC**

# PART LIST

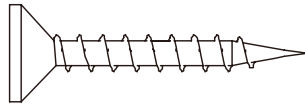
S1



M3.5x30mm

30 PCS

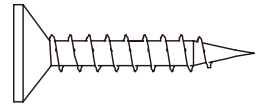
S2



M3.5x20mm

12 PCS

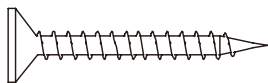
S3



M3.5x15mm

20 PCS

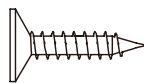
S4



M3x18mm

19 PCS

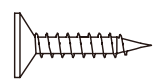
S5



M3x10mm

12 PCS

S6



M2.5x10mm

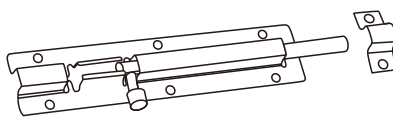
26 PCS

S7



12 PCS

S8



2 PCS

S9



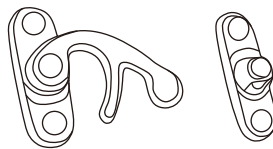
3 PCS

S10



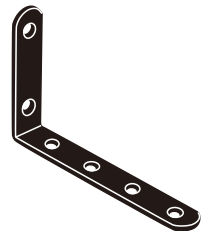
3 PCS

S11



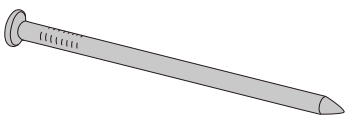
1 PC

S12



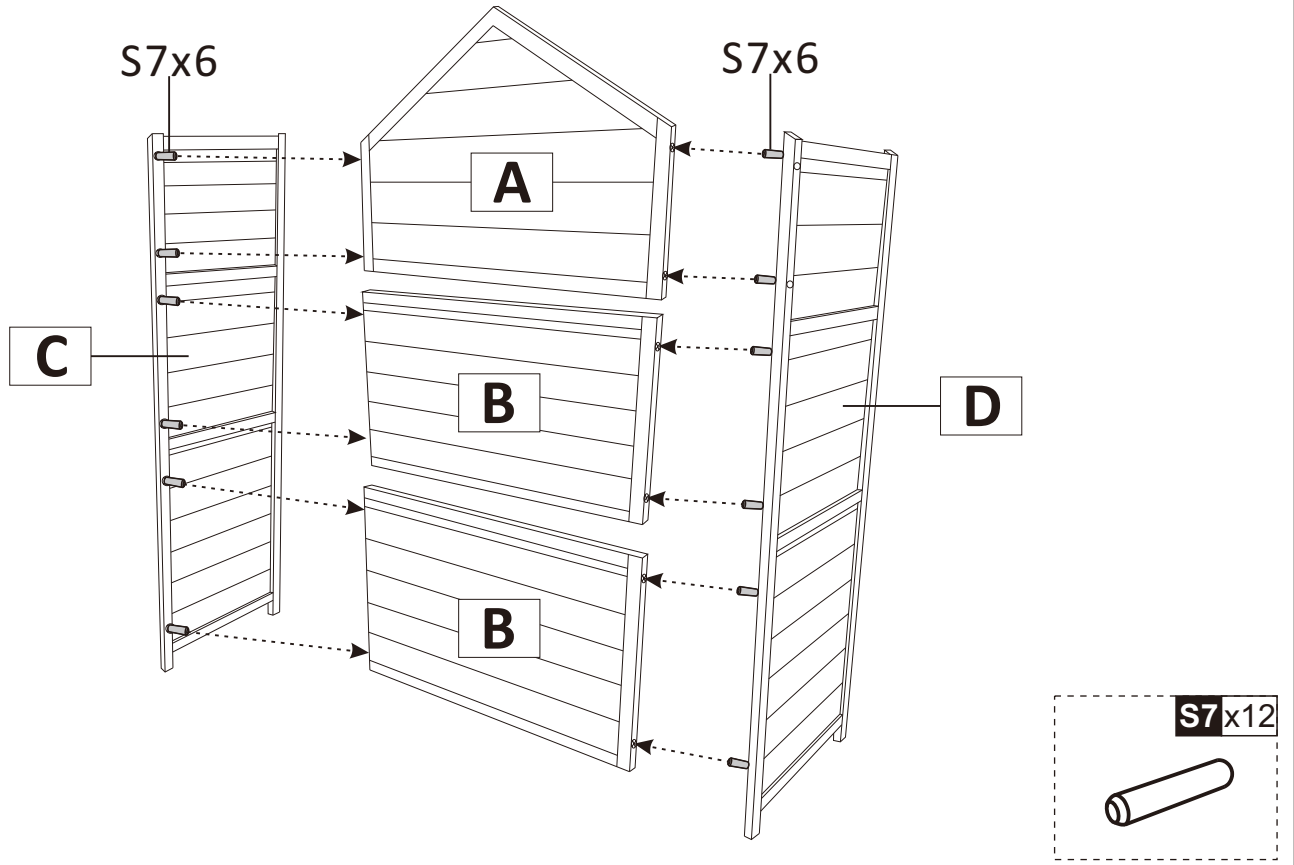
4 PCS

S13

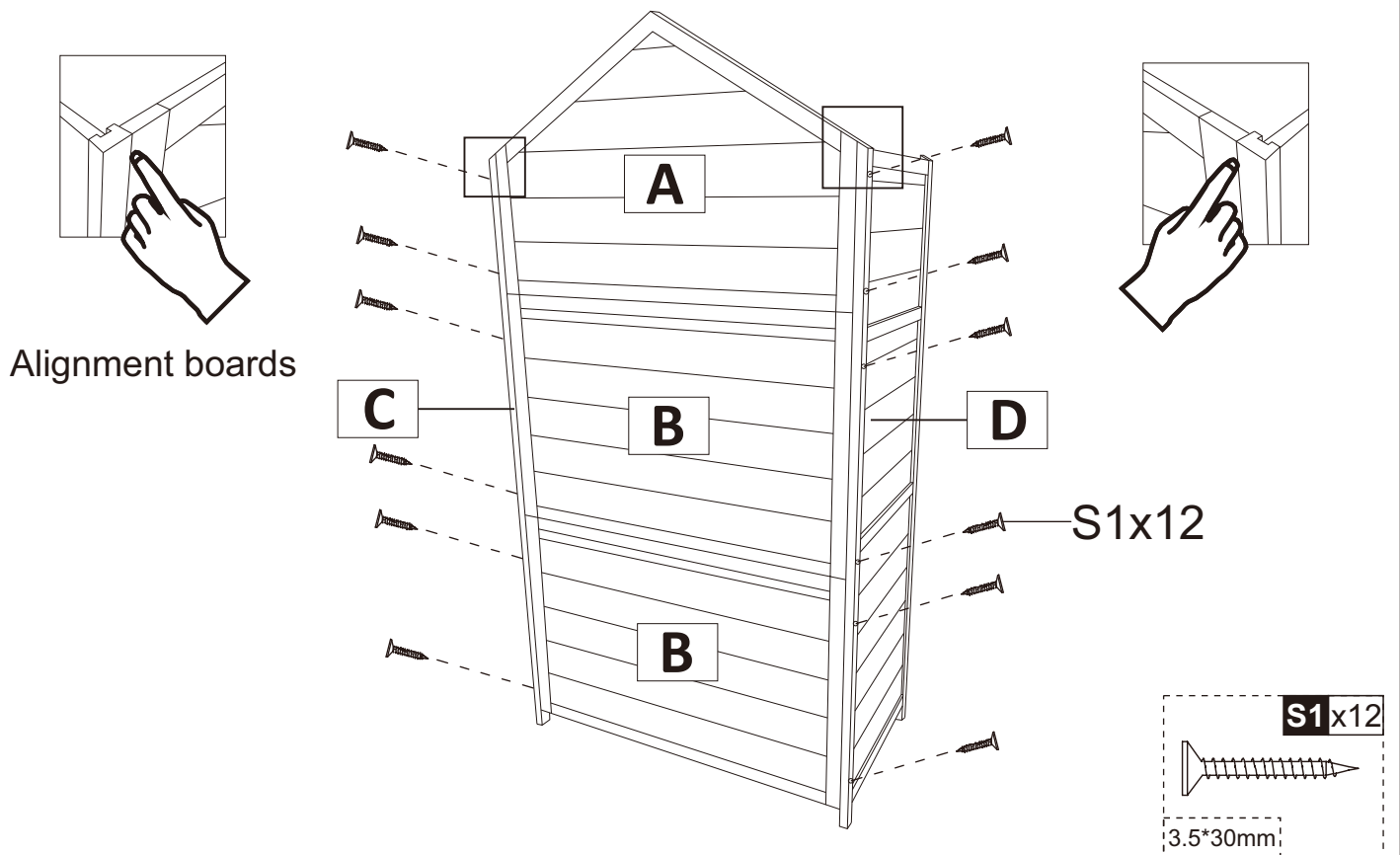


16 PCS

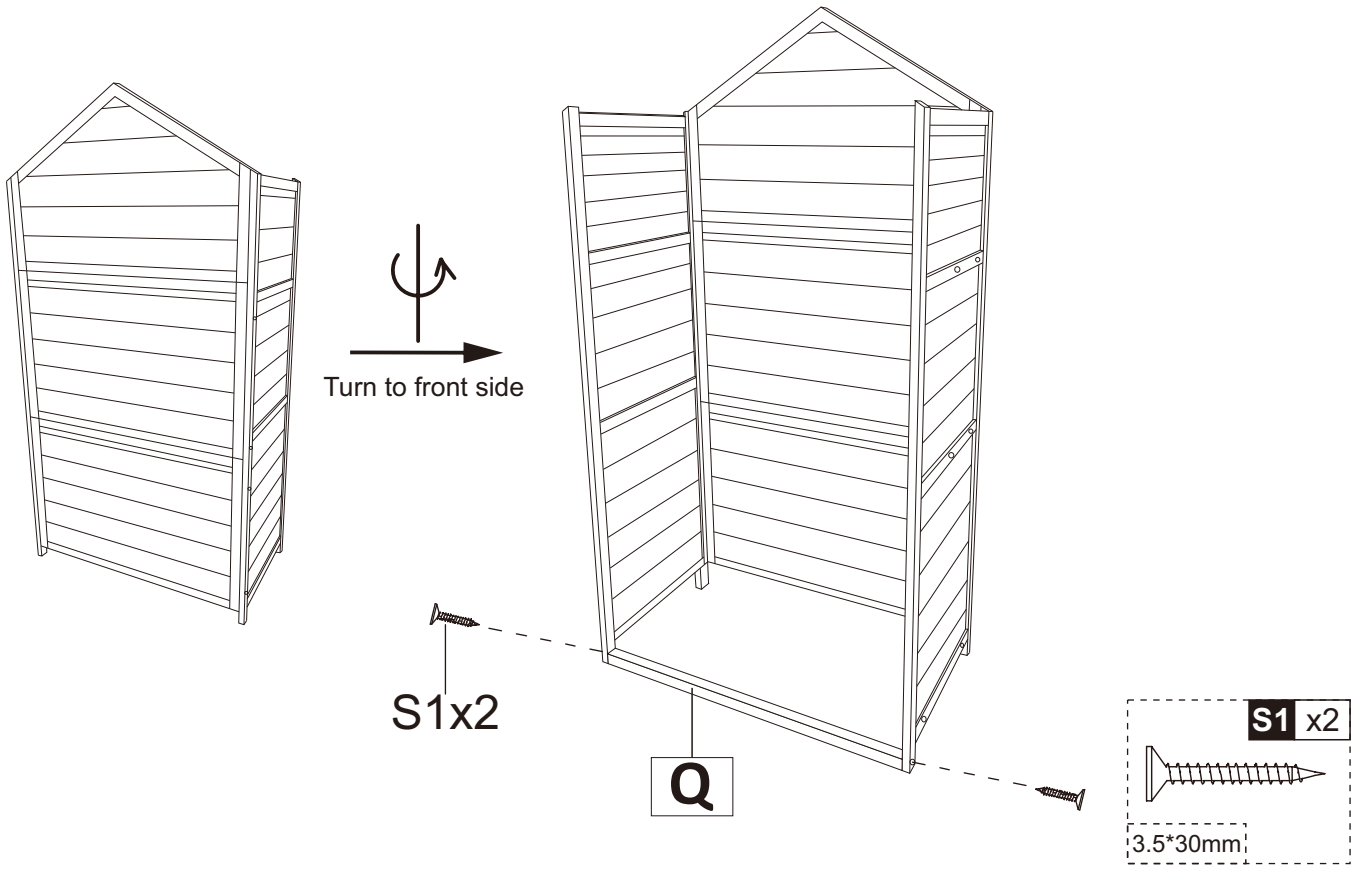
# STEP 1



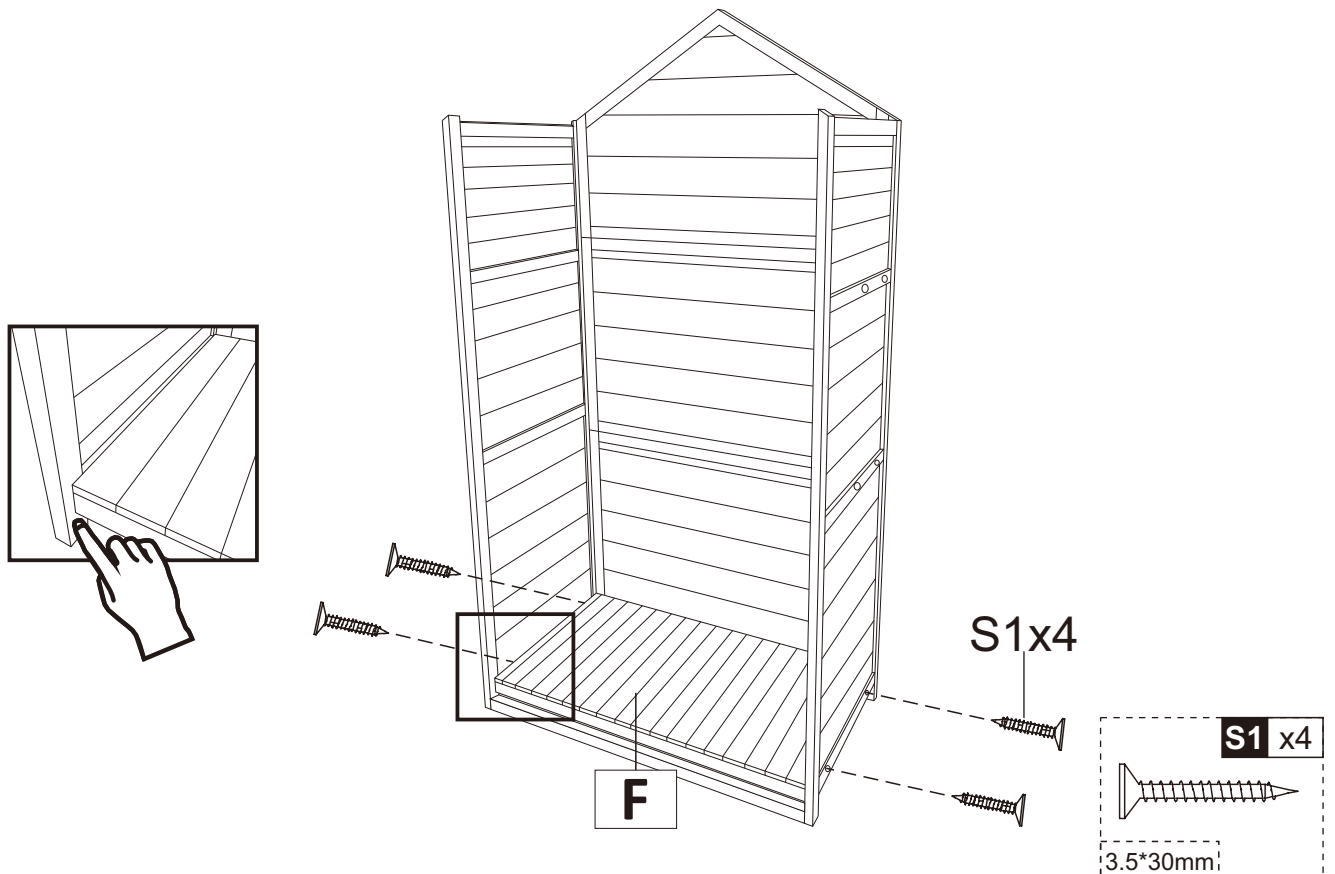
# STEP 2



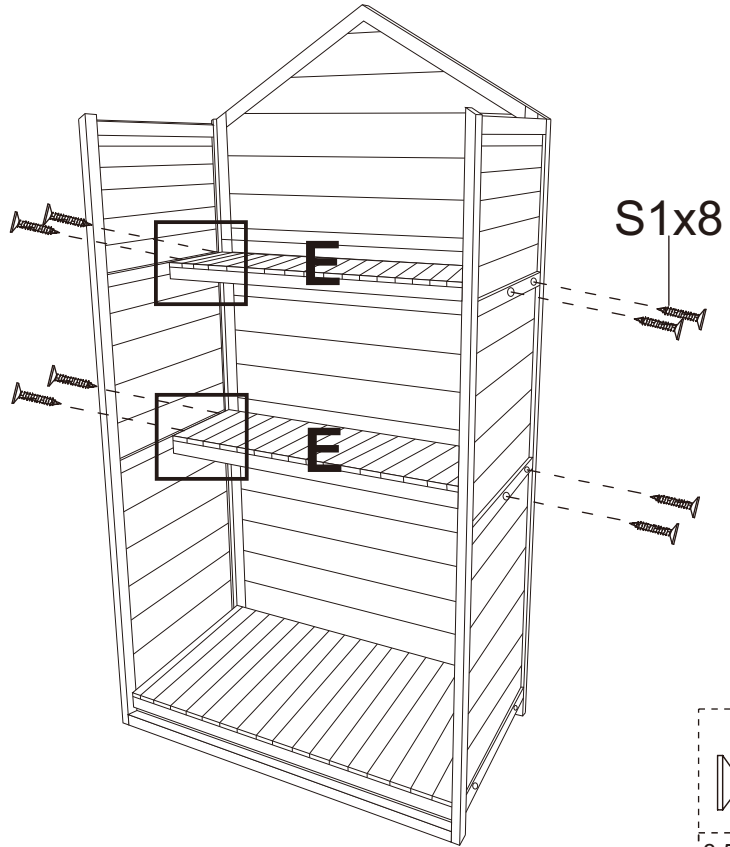
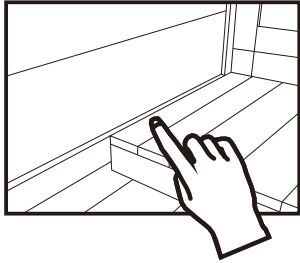
# STEP 3



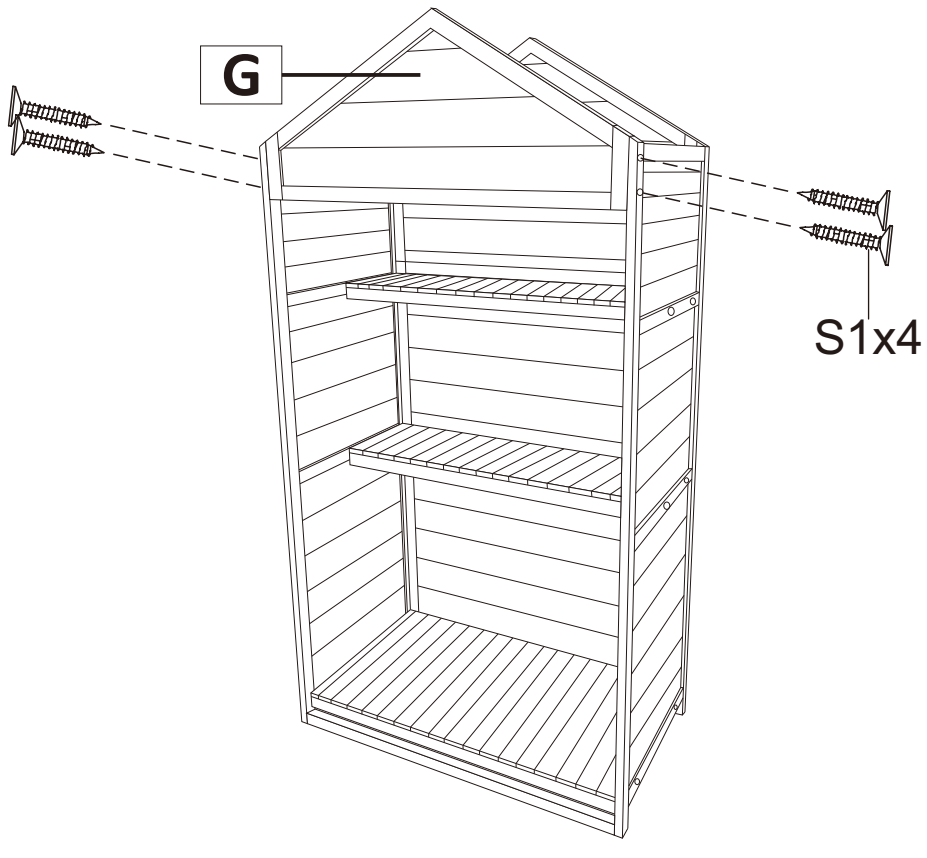
# STEP 4



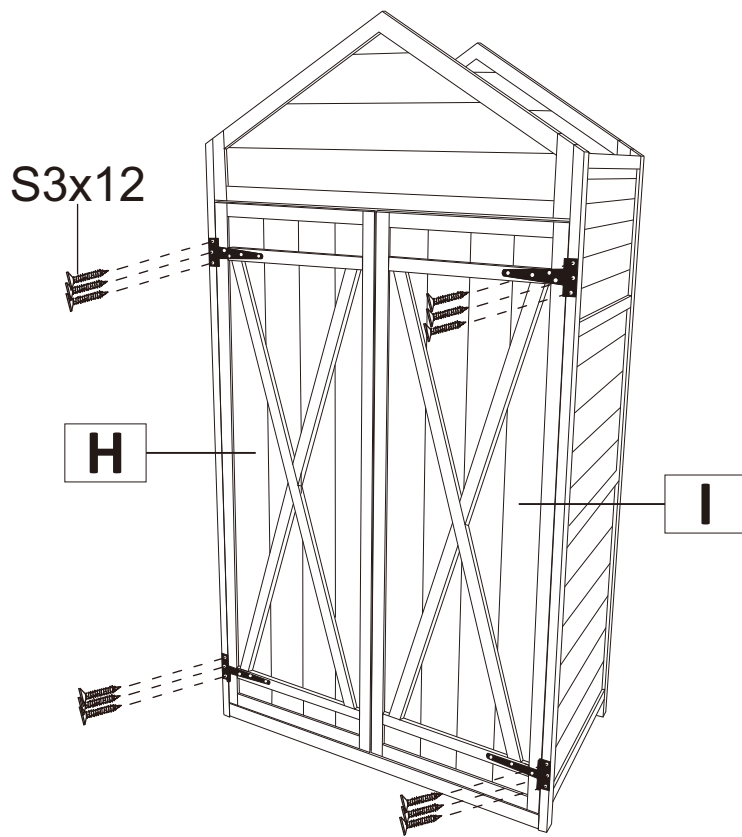
# STEP 5



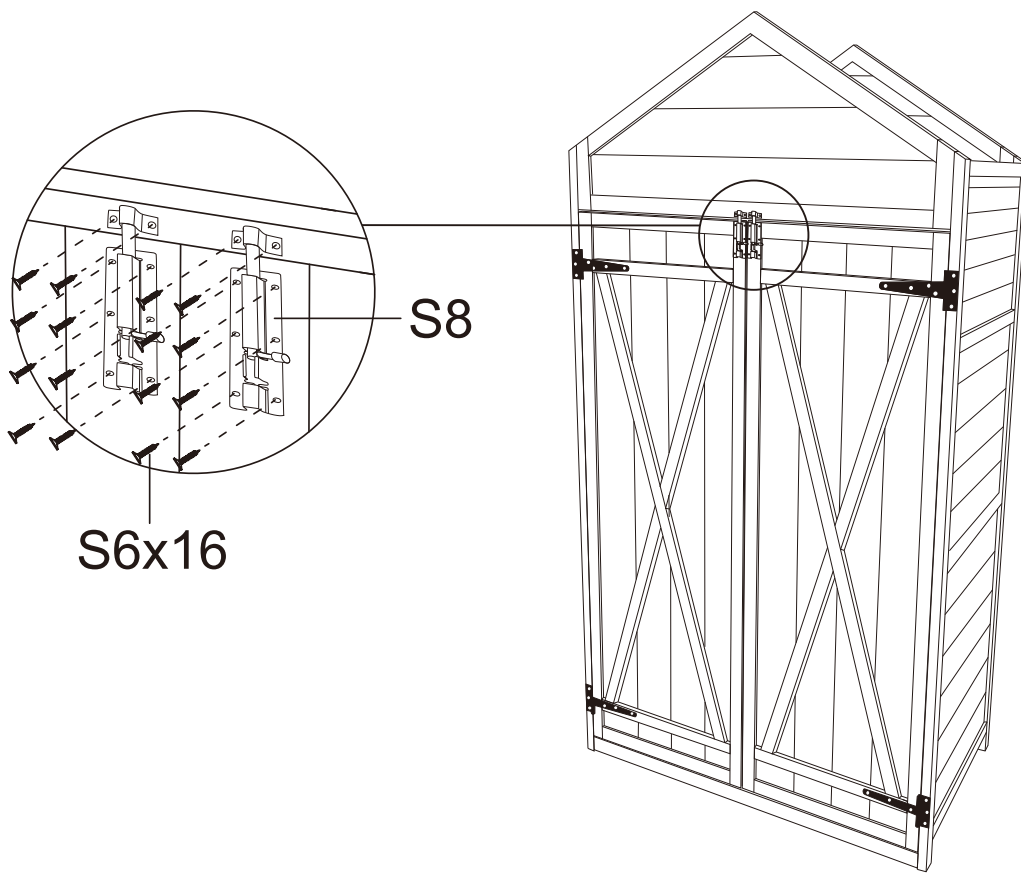
# STEP 6



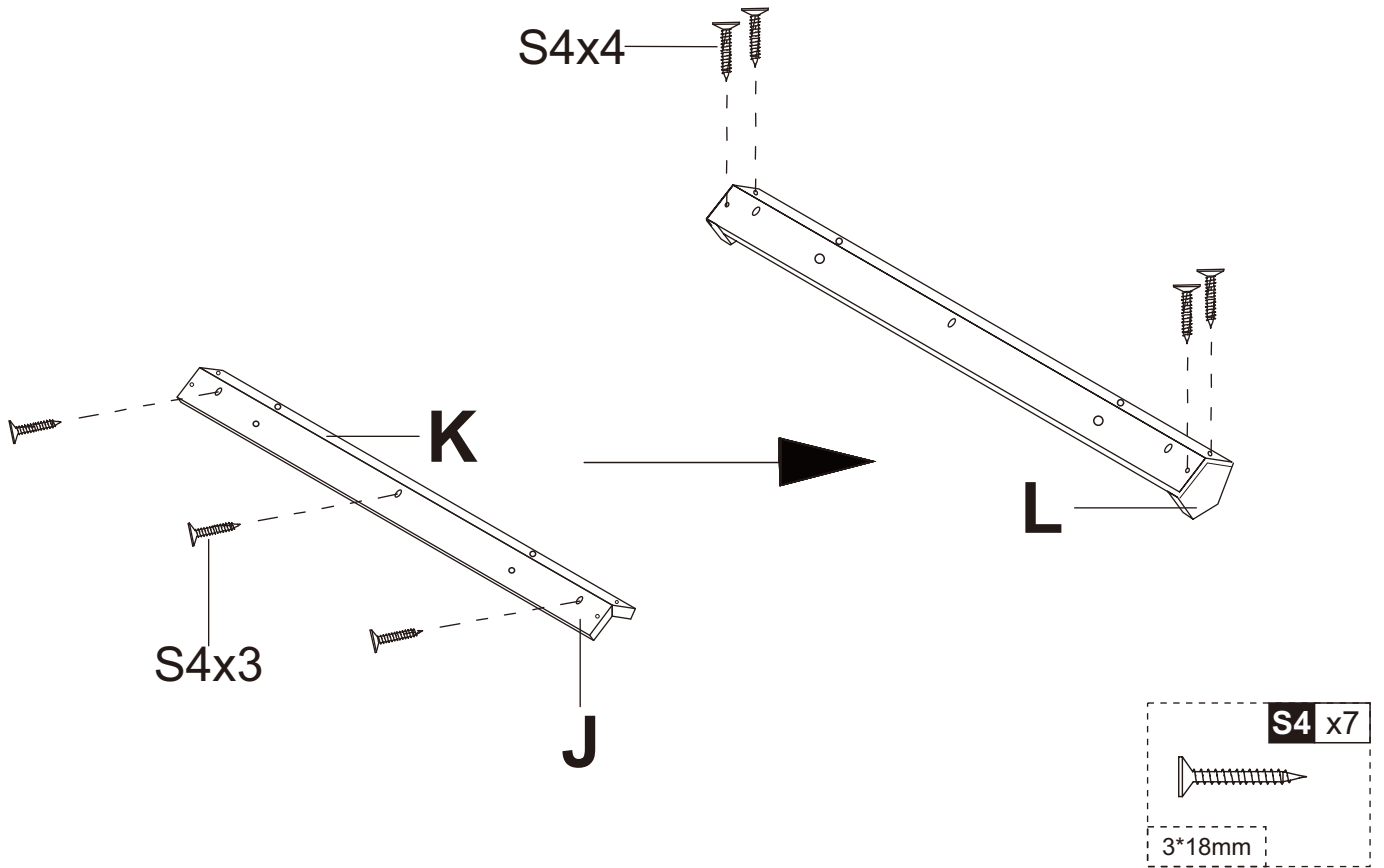
# STEP 7



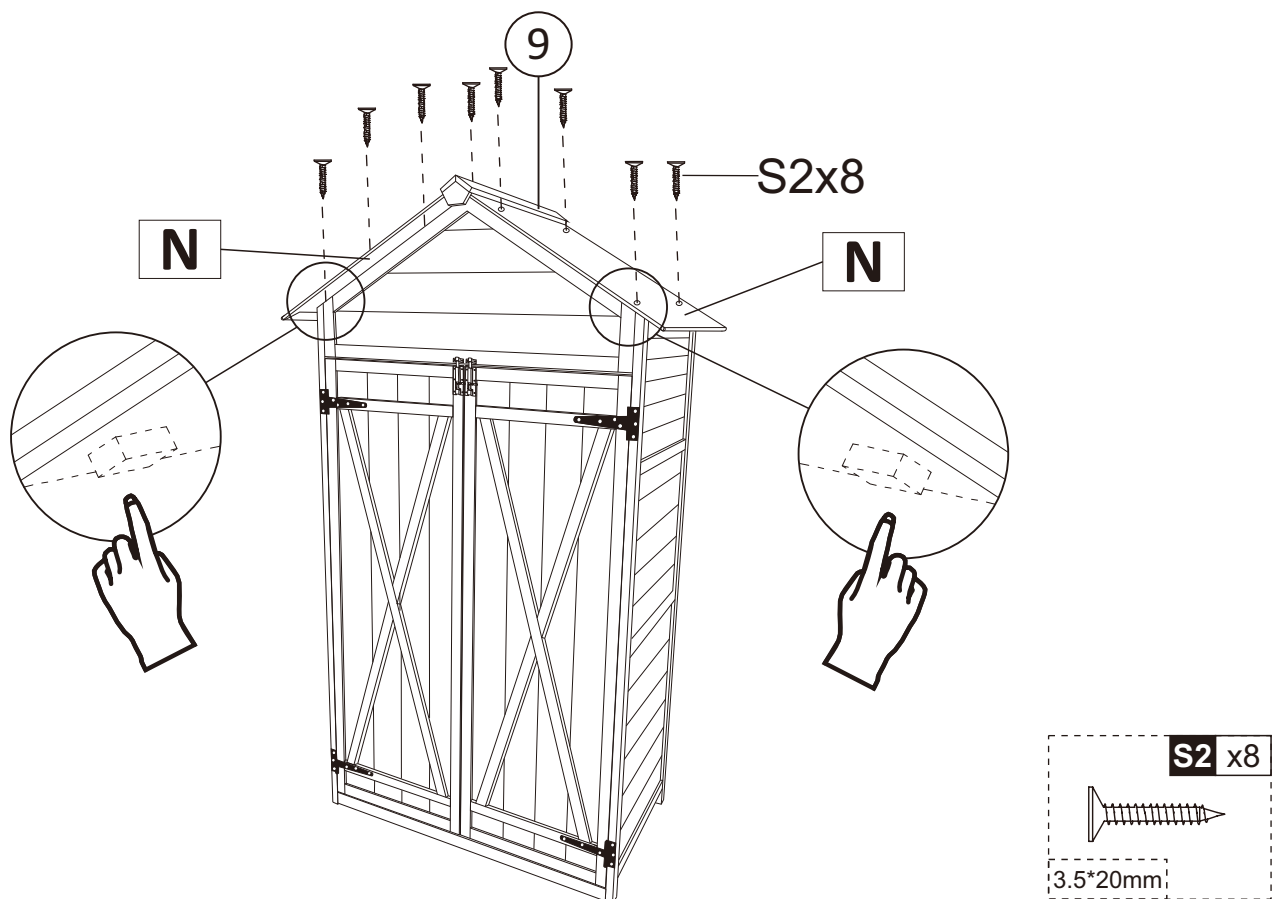
# STEP 8



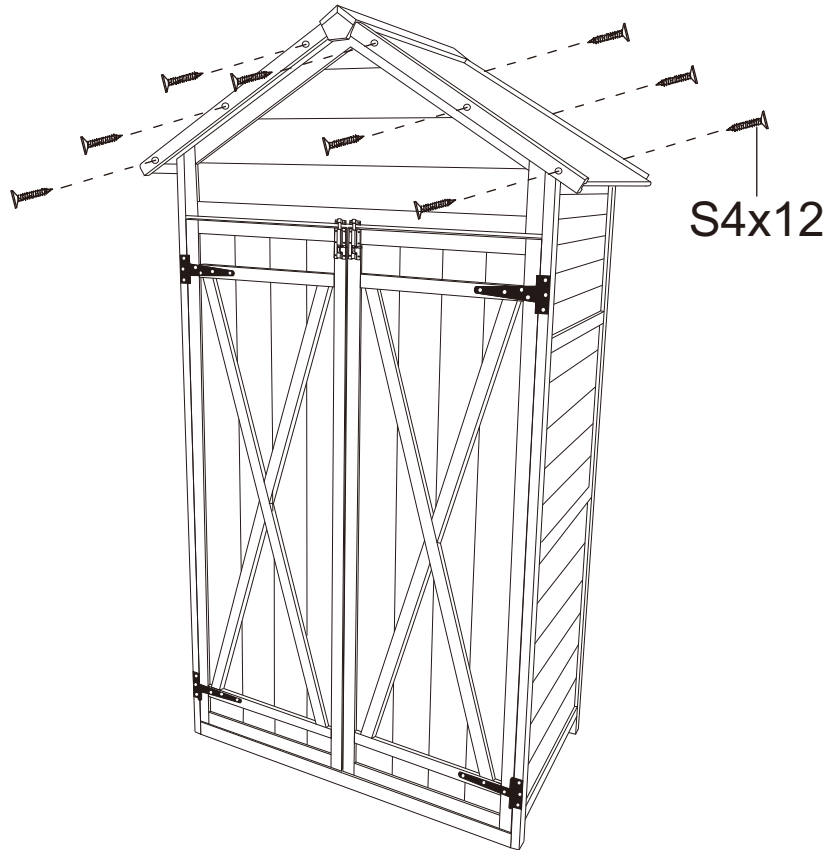
# STEP 9



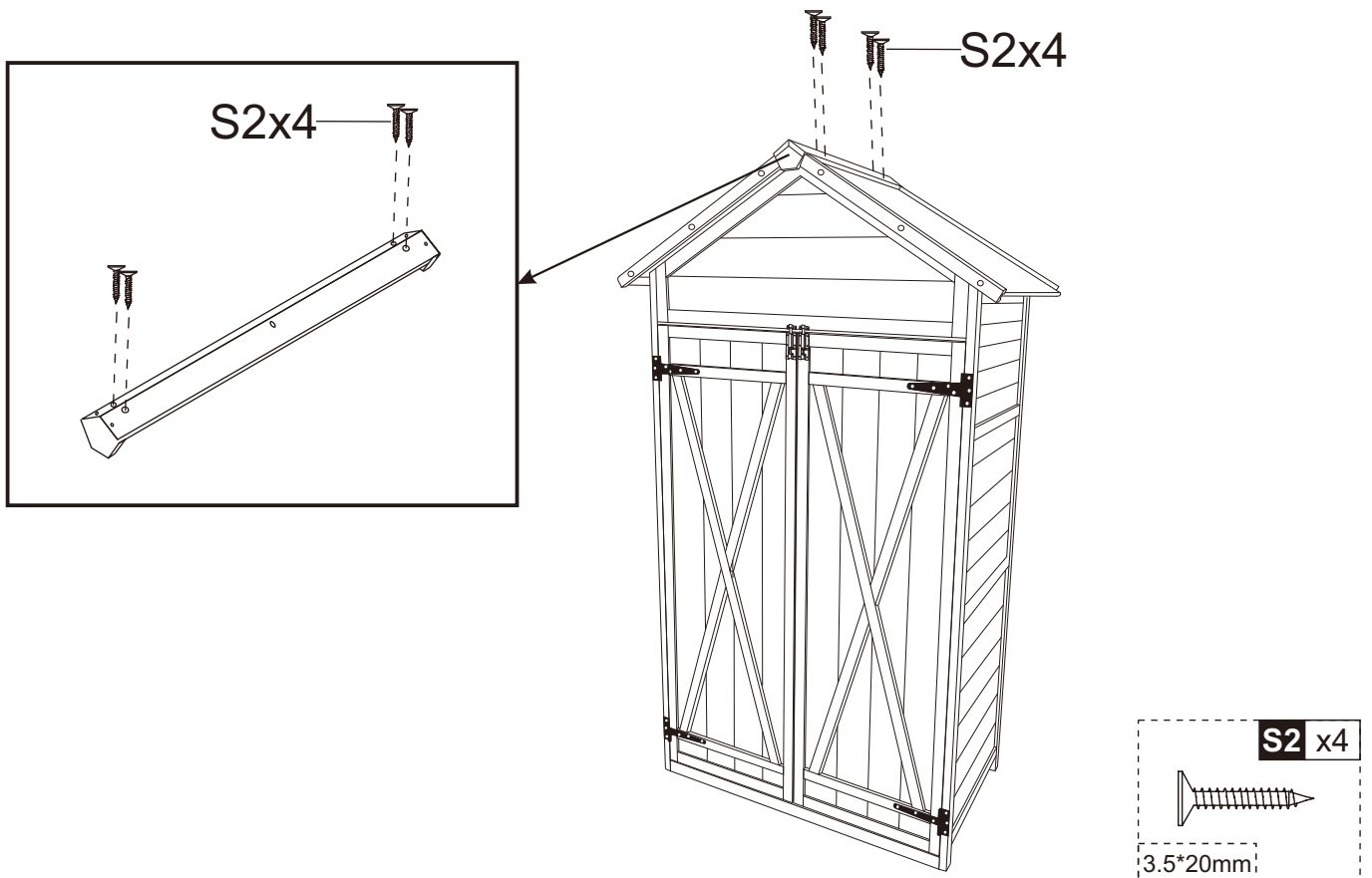
# STEP 10



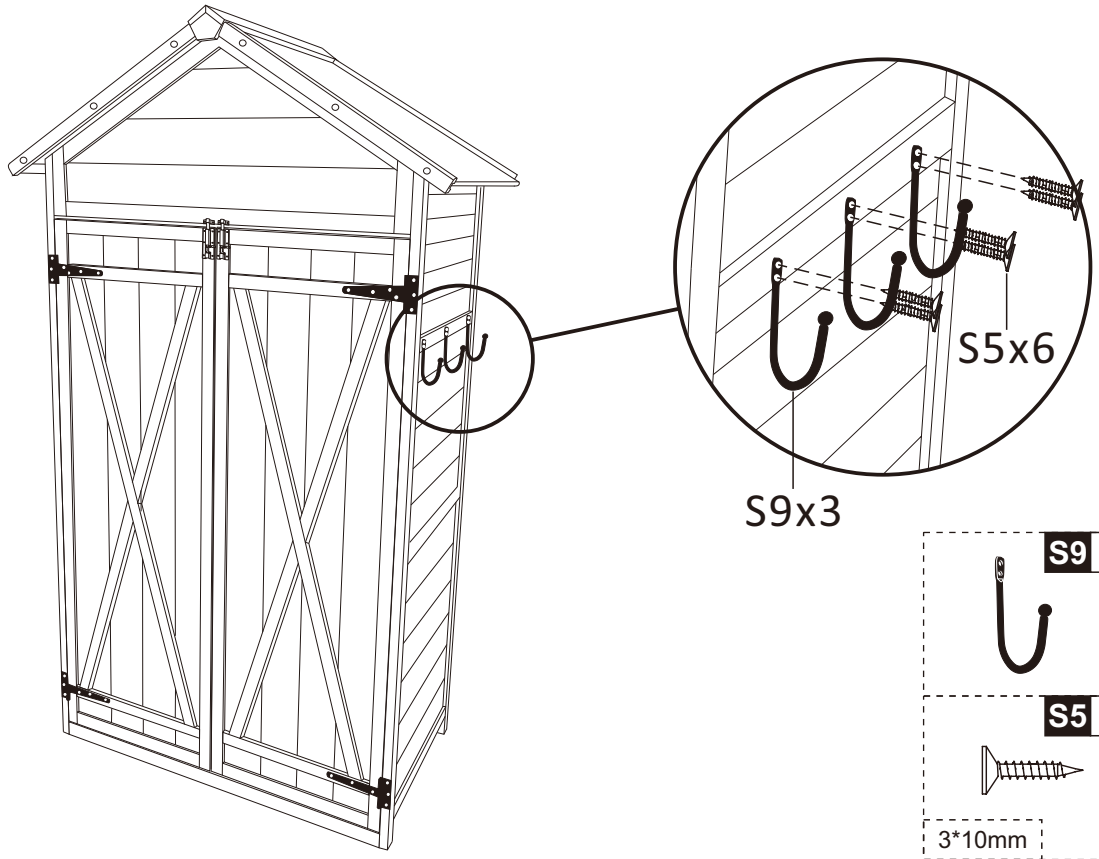
# STEP 11



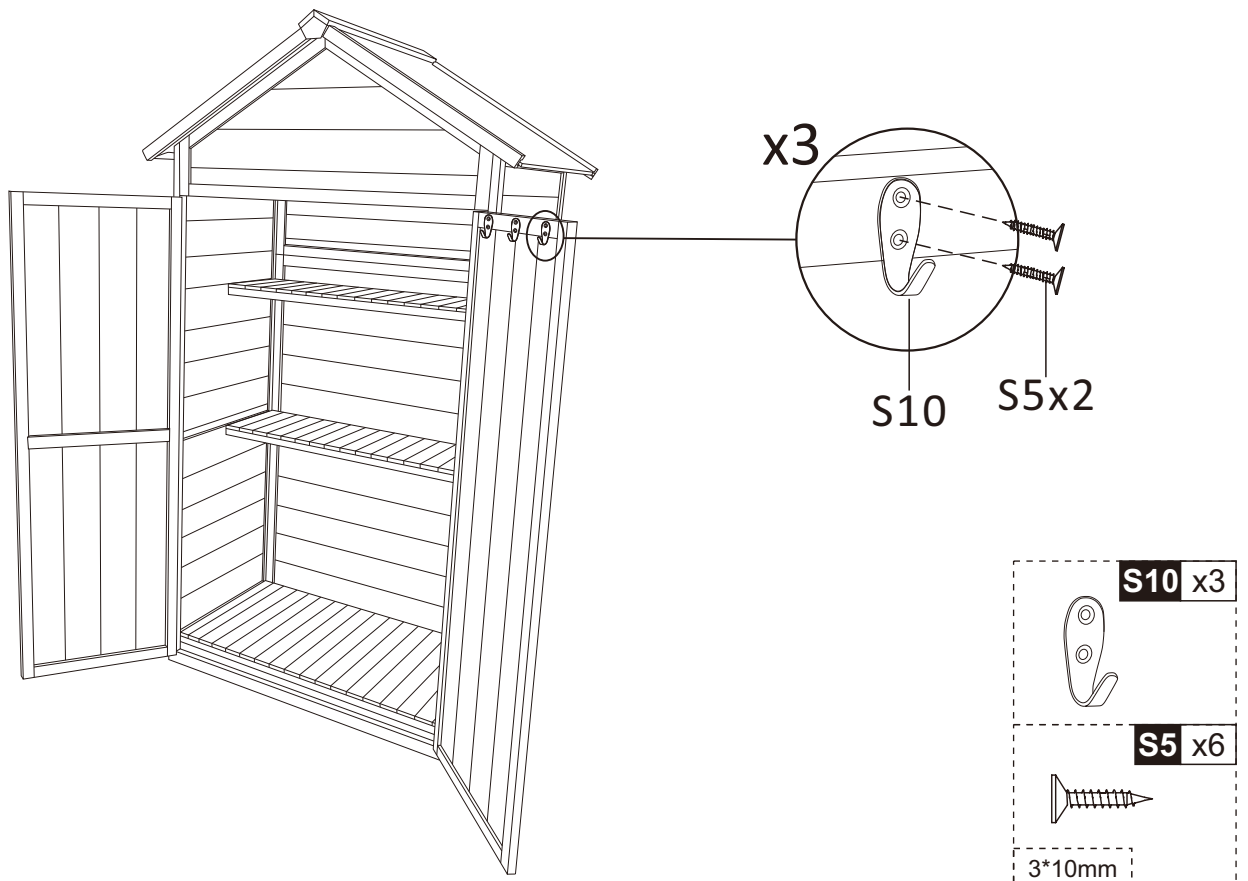
# STEP 12



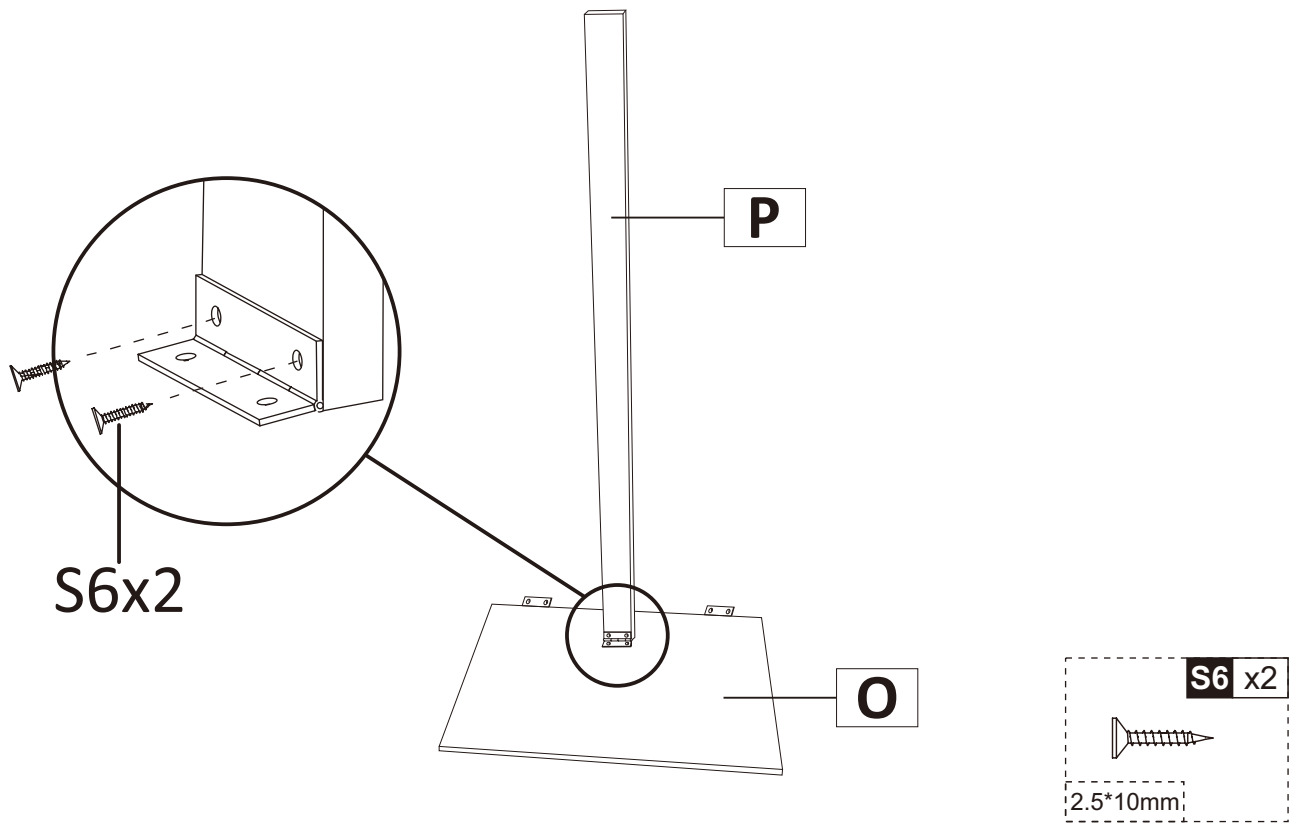
# STEP 13



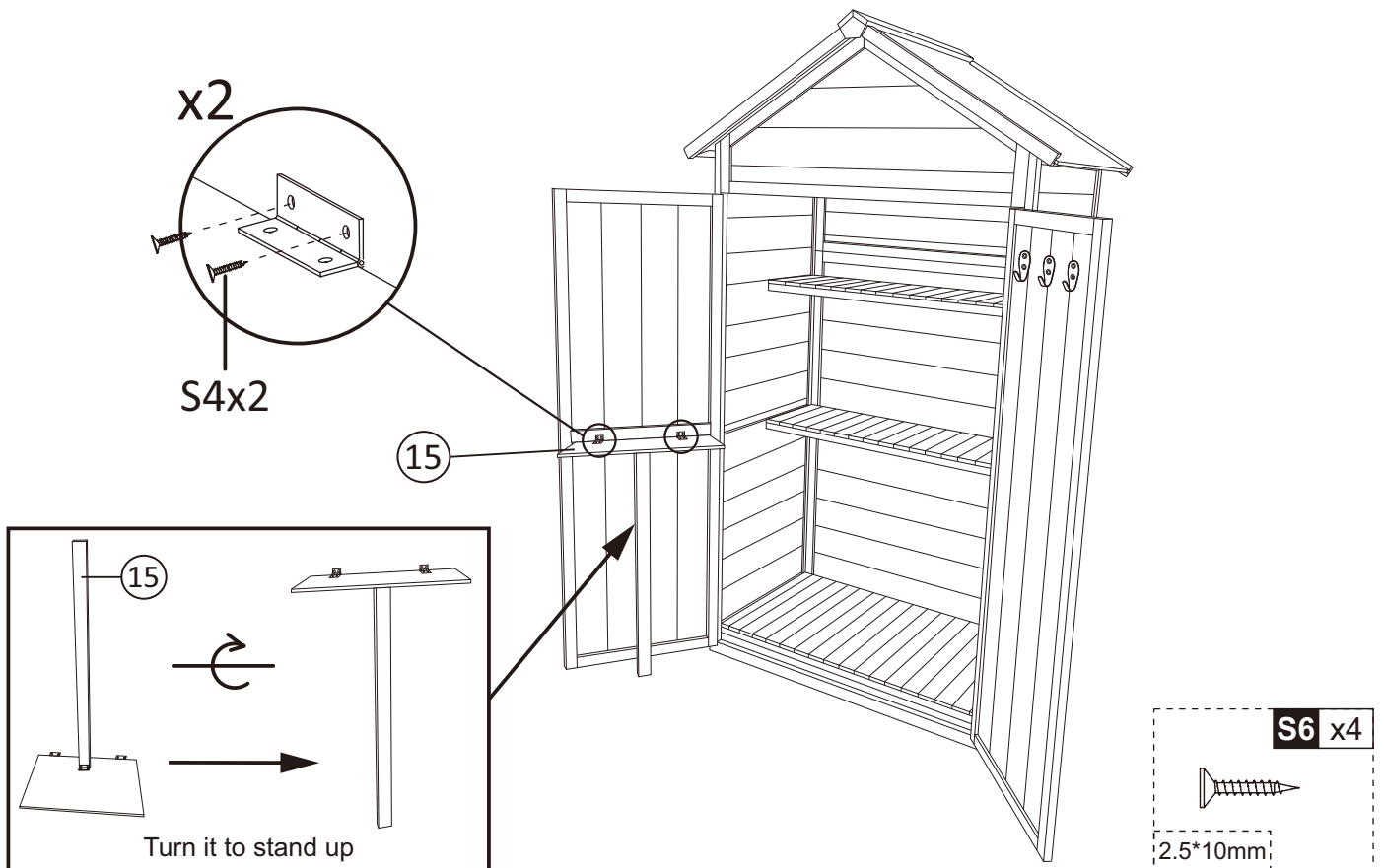
# STEP 14



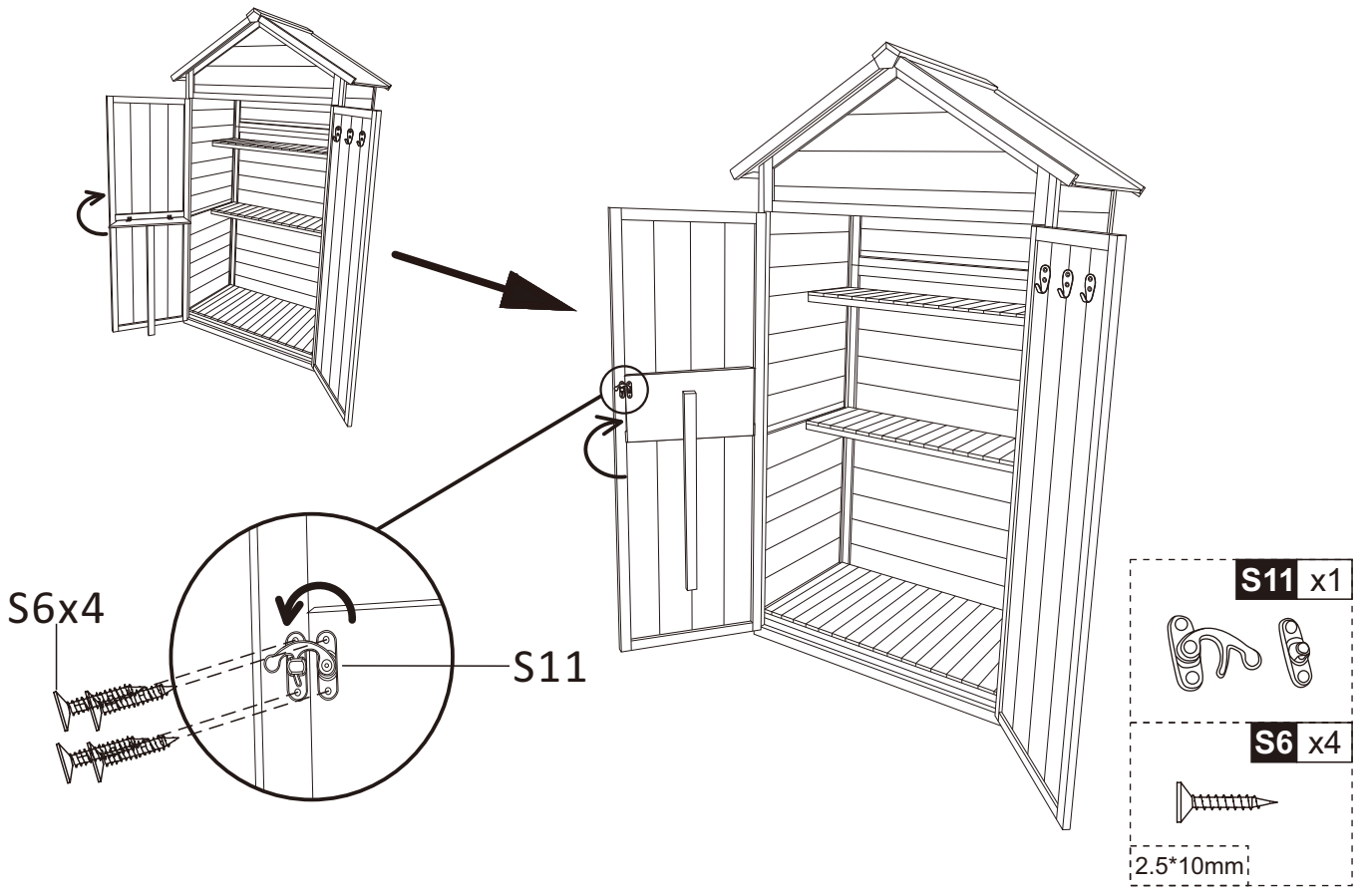
# STEP 15



# STEP 16



# STEP 17



# DONE

