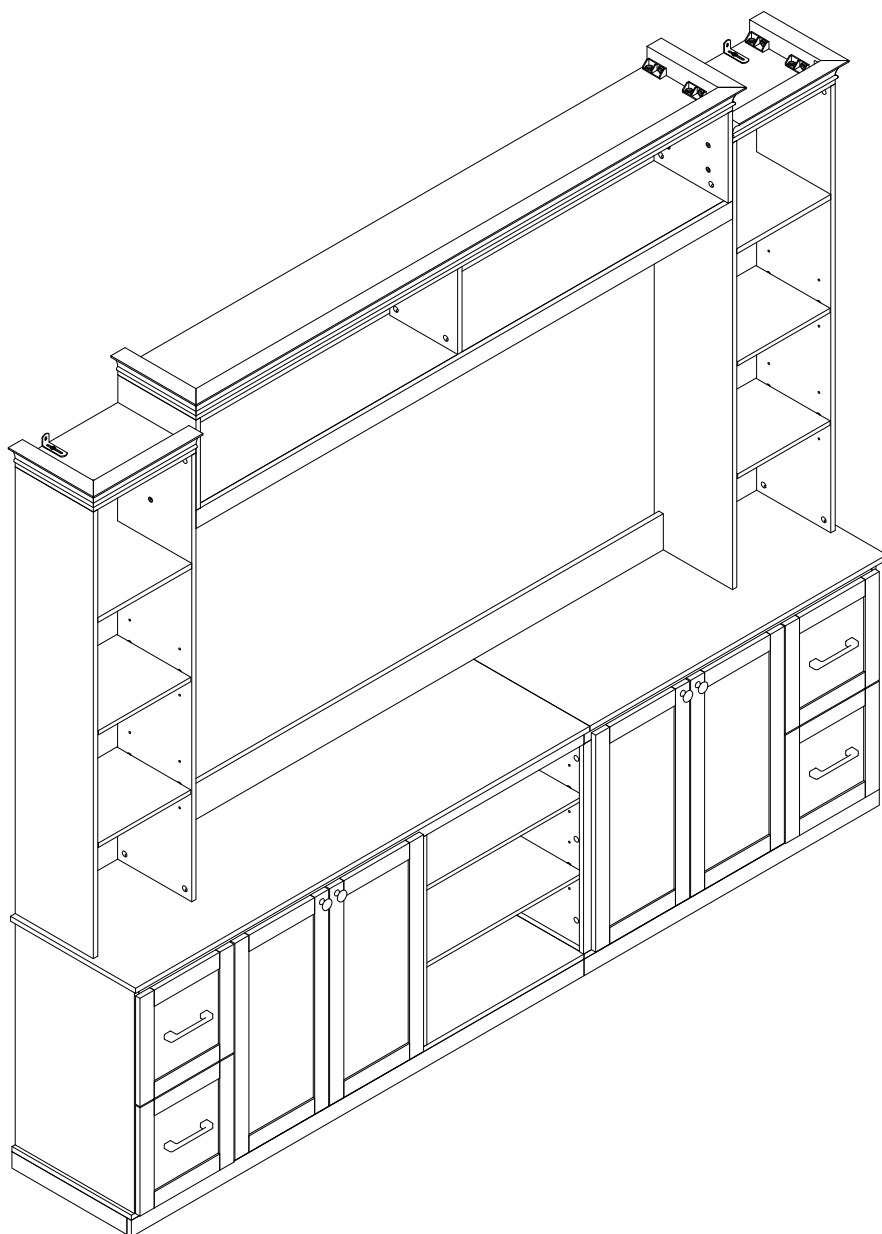


# ITEM-ARTICLE: TV-STAND - SUPPORT TV

## ASSEMBLY INSTRUCTIONS-INSTRUCTIONS DE MONTAGE



### WARNING/AVERTISSEMENT



This product is NOT a Clothing Storage Unit (CSU).  
Ce produit n'est PAS une unité de rangement pour vêtements (CSU).  
DO NOT use it for clothing storage.  
NE PAS utiliser pour ranger des vêtements.  
Improper use may cause furniture tipover.  
Une utilisation incorrecte peut entraîner le basculement des meubles.

**Important-Please read these instructions fully before starting assembly**  
**Important : Veuillez lire attentivement ces instructions avant de commencer l'assemblage.**



# Safety and Care Advice

**Important – Please read these instructions fully before starting assembly**

- Check you have all the components and tools listed on the following pages.
- Remove all fittings from the plastic bags and separate them into their groups.
- Keep children and animals away from the work area, small parts could choke if swallowed.
- Make sure you have enough space to layout the parts before starting.

- During assembly do not stand or put weight on the product, this could cause damage.
- Assemble the item as close to its final position (in the same room) as possible.
- Assemble on a soft level surface to avoid damaging the unit or your floor.
- Parts of the assembly will be easier with 2 people.



power drill is set on a low torque setting.

- To reduce the likelihood of damaging your product please ensure that your

## Care and maintenance

- Only clean using a damp cloth and mild detergent, do not use bleach or abrasive cleaners.
- From time to time check that there are no loose screws on this unit.
- This product should not be discarded with household waste. Take to your local authority waste disposal centre.

## Handy Hints

- Assemble all parts and bolts loosely during assembly, only once the product is complete should you fully tighten the bolts
- Regularly check and ensure That all bolts and fittings are tightend properly.

**WARNING**  
**In order to help prevent overturning – please follow these instructions**



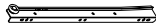



To help prevent product toppling over please follow the below steps:-

- Use the anti tip stap or wall fixing method provided (if applicable)
- Do not allow children to climb or hang on the furniture
- Do not open more than one drawer at a time
- Do not place heavy items in the top drawers
- Do not place heavy items on top of the furniture, unless the furniture has been designed for this purpose

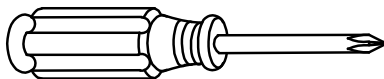
# HARDWARE LIST-LISTE DU MATÉRIEL

(A)	Ø5*35MM		186+4PCS	(M)	Ø3.9*40MM		7PCS
(B)	Ø15*10MM		186+4PCS	(N)	58*29*29MM		17PCS
(C)	Ø8*30MM		132+4PCS	(O)	Ø1/4"*12MM		34PCS
(D)	Ø6*30MM		8+1PCS	(P)	Ø1/4"*20MM		8PCS
(E)	128MM		4PCS	(Q)	32*19*19MM		6PCS
(F)	Ø29*22MM		4PCS	(R)	Ø3.9*15MM		24PCS
(G)	Ø5/32"*8MM		8PCS	(S)	M6*40MM		2PCS
(H)	Ø5/32"*18MM		4PCS	(T)	17.5*16*9.5MM		36PCS
(I)	15*19*16MM		32PCS	(U)	Ø3.5*30MM		16PCS
(J)	Ø26*110MM		8PCS	(V)	72*15*25MM Ø3.9*15MM		2PCS
(K)	45*12*1.2MM		6PCS	(W)	Ø3.9*30MM		2PCS
(L)	Ø3.5*12MM		108+4PCS	(X)	4*56MM		1PC

# HARDWARE LIST-LISTE DU MATÉRIEL

Ⓨ	300MM-CL		4PCS
	300MM-CR		4PCS
	300MM-DL		4PCS
	300MM-DR		4PCS
Ⓩ	Ø20*0.2MM		196PCS
Ⓐ	Ø3.5*15MM		32+2PCS

## ASSEMBLY TOOLS REQUIRED ( NOT INCLUDED )



PLEASE BE CAREFUL DO NOT DAMAGE THE HOLE POSITION WHEN YOU USE POWER TOOLS !

ATTENTION À NE PAS ENDOMMAGER LA POSITION DU TROU LORSQUE VOUS UTILISEZ DES OUTILS ÉLECTRIQUES !

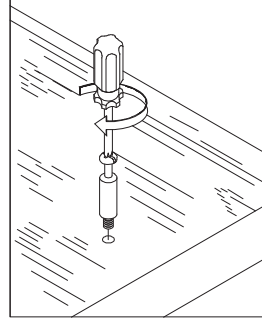
# Using Camlocks

## Step 1

Connect the male camlock as directed in the assembly instructions using a screwdriver.

1

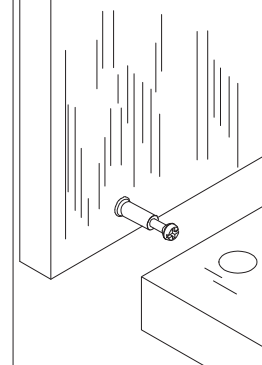
DO NOT OVER TIGHTEN.  
NE PAS SERRER EXCESSIVEMENT.



## Step 2

Push the male camlock into the entry hole.

2

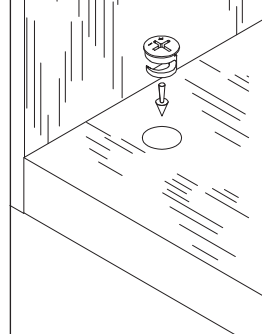


## Step 3

Insert the female camlock as shown in the instruction.

Note: ensure that the arrow on the top of the camlock points towards the entry hole for the male camlock.

3



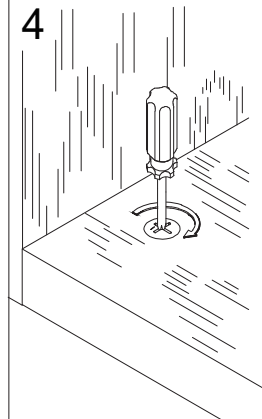
## Step 4

Turn the female camlock clockwise with a screwdriver.

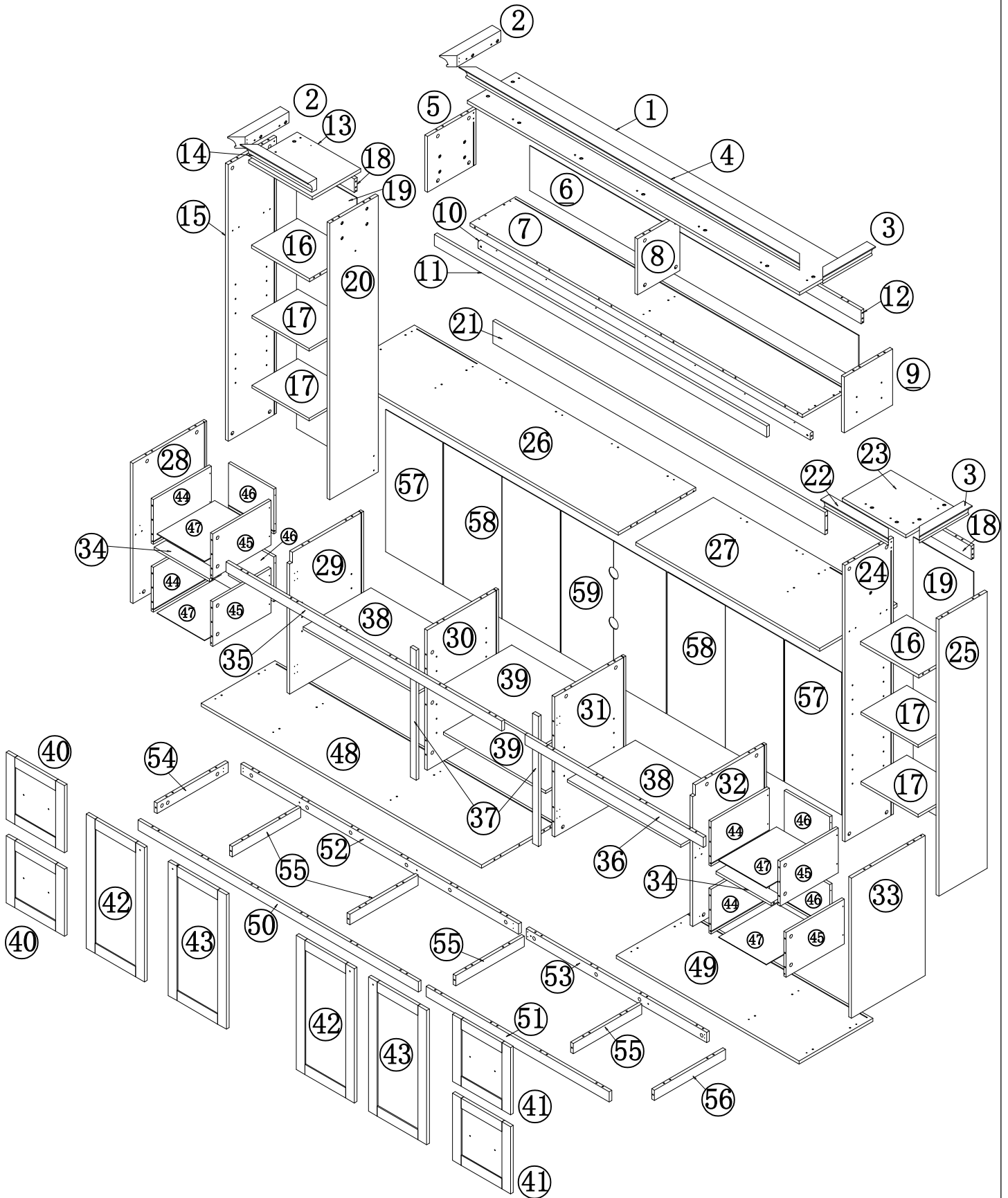
You should feel a click when the camlock is locked in place.

The joint is now secure.

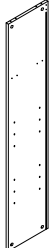
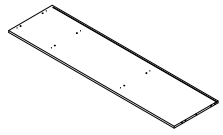
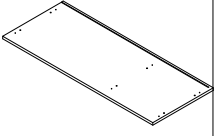

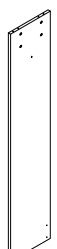


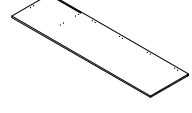
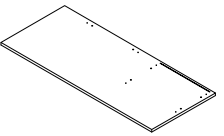
4



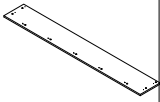
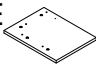
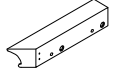
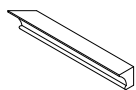
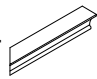
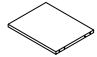
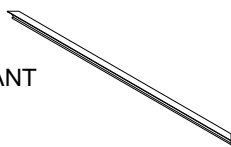
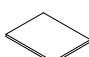
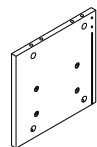
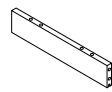
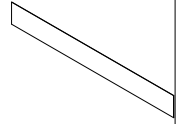
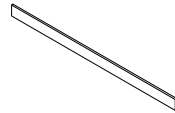
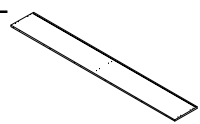
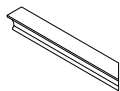
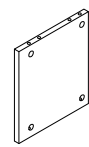
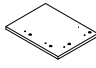
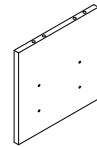
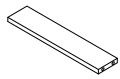

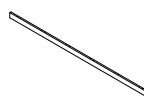
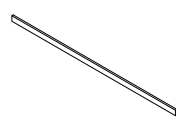

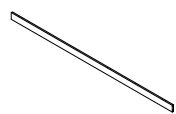
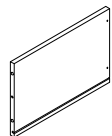
# PRODUCT DETAILS/DÉTAILS DU PRODUIT



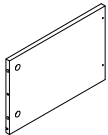
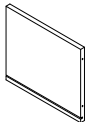
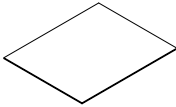



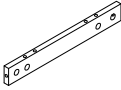
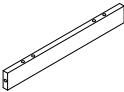
# PARTLIST/LISTE DES PIÈCES

⑮ LEFT BOARD PANNEAU DE GAUCHE  1236x250x14mm 	1PC	④⑧ LEFT BASEPLATE PLAQUE DE BASE GAUCHE 1446x381x14mm 	1PC
		④⑨ RIGHT BASEPLATE PLAQUE DE BASE DROITE 943x381x14mm 	1PC
⑰ BACK BOARD PANNEAU ARRIÈRE  1186x311x2.5mm 	2PC	Hardware kit/kit de matériel x1  1PC	
⑳ RIGHT BOARD PANNEAU DE DROITE  1236x250x14mm 	1PC		
㉔ LEFT BOARD PANNEAU DE GAUCHE  1236x250x14mm 	1PC		
㉕ RIGHT BOARD PANNEAU DE DROITE  1236x250x14mm 	1PC		
㉖ LEFT BOARD PANNEAU DE GAUCHE  1451x400x14mm 	1PC		
㉗ RIGHT BOARD PANNEAU DE DROITE  948x400x14mm 	1PC		



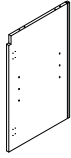
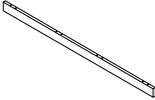

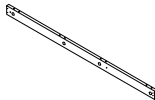
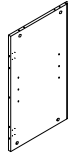
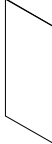

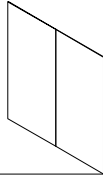

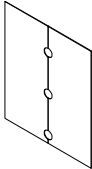
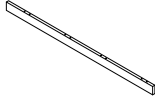
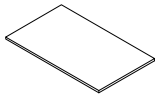
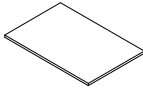
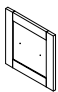
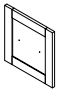
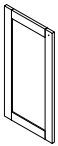
# PART LIST/LISTE DES PIÈCES

①	ROOF BOARD PLANCHE DE TOITURE 1714x250x14mm		1PC	⑬	ROOF BOARD PLANCHE DE TOITURE 328x250x14mm		1PC
②	LEFT DECORATIVE BLOCK/BLOC DÉCORATIF GAUCHE 350x45x50mm		2PC	⑭	LEFT DECORATIVE BLOCK/BLOC DÉCORATIF GAUCHE 272x45x50mm		1PC
③	RIGHT DECORATIVE BLOCK BLOC DÉCORATIF DROIT 350x45x50mm		2PC	⑯	FIXED SHELF ÉTAGÈRE FIXE 300x237x14mm		2PC
④	FRONT DECORATIVE BLOCK BLOC DÉCORATIF AVANT 1754x45x50mm		1PC	⑰	REMOVABLE SHELF OF WALL CABINET ÉTAGÈRE AMOVIBLE D'ARMOIRE MURALE 295x237x12mm		4PC
⑤	LEFT BOARD OF WALL CABINET PANNEAU GAUCHE DU MEUBLE MURAL 250x250x14mm		1PC	⑱	REAR STRIP OF WALL CABINET BANDE ARRIÈRE DU MEUBLE MURAL 300x60x14mm		2PC
⑥	BACK BOARD OF WALL CABINET PANNEAU ARRIÈRE DU MEUBLE MURAL 1697x201x2.5mm		1PC	⑳	REAR STRIP BANDE ARRIÈRE 1714x100x14mm		1PC
⑦	BASEPLATE OF WALL CABINET PLAQUE DE BASE D'ARMOIRE MURALE 1714x236x14mm		1PC	㉒	RIGHT DECORATIVE BLOCK BLOC DÉCORATIF DROIT 272x45x50mm		1PC
⑧	MIDDLE BOARD OF WALL CABINET PANNEAU CENTRAL DU MEUBLE MURAL 250x218x14mm		1PC	㉓	ROOF BOARD OF WALL CABINET PLANCHE DE TOITURE DE L'ARMOIRE MURALE 328x250x14mm		1PC
⑨	RIGHT BOARD OF WALL CABINET PANNEAU DROIT DU MEUBLE MURAL 250x250x14mm		1PC	㉔	FRONT STRIP BANDE AVANT 284x60x14mm		2PC
⑩	SUPPORT ROD TIGE DE SUPPORT 1714x30x14mm		1PC	㉕	LEFT FRONT DECORATIVE STRIP BANDE DÉCORATIVE AVANT GAUCHE 1446x46x14mm		1PC
⑪	SLIDE RAIL LINK BAR BARRE DE LIAISON DU RAIL COULISSAN 1714x50x14mm		1PC	㉗	FRONT DECORATIVE STRIP BANDE DÉCORATIVE AVANT 581x30x14mm		2PC
⑫	SCRIBE MOLDING OF WALL CABINET MOULURE DE TRACE D'ARMOIRE MURALE 1714x60x14mm		1PC	㉘	LEFT DRAWER SIDE CÔTÉ DU TIROIR GAUCHE 300x200x14mm		4PC

# PART LIST/LISTE DES PIÈCES

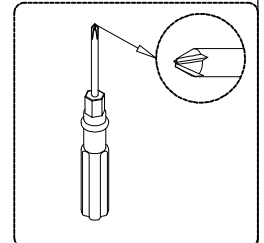
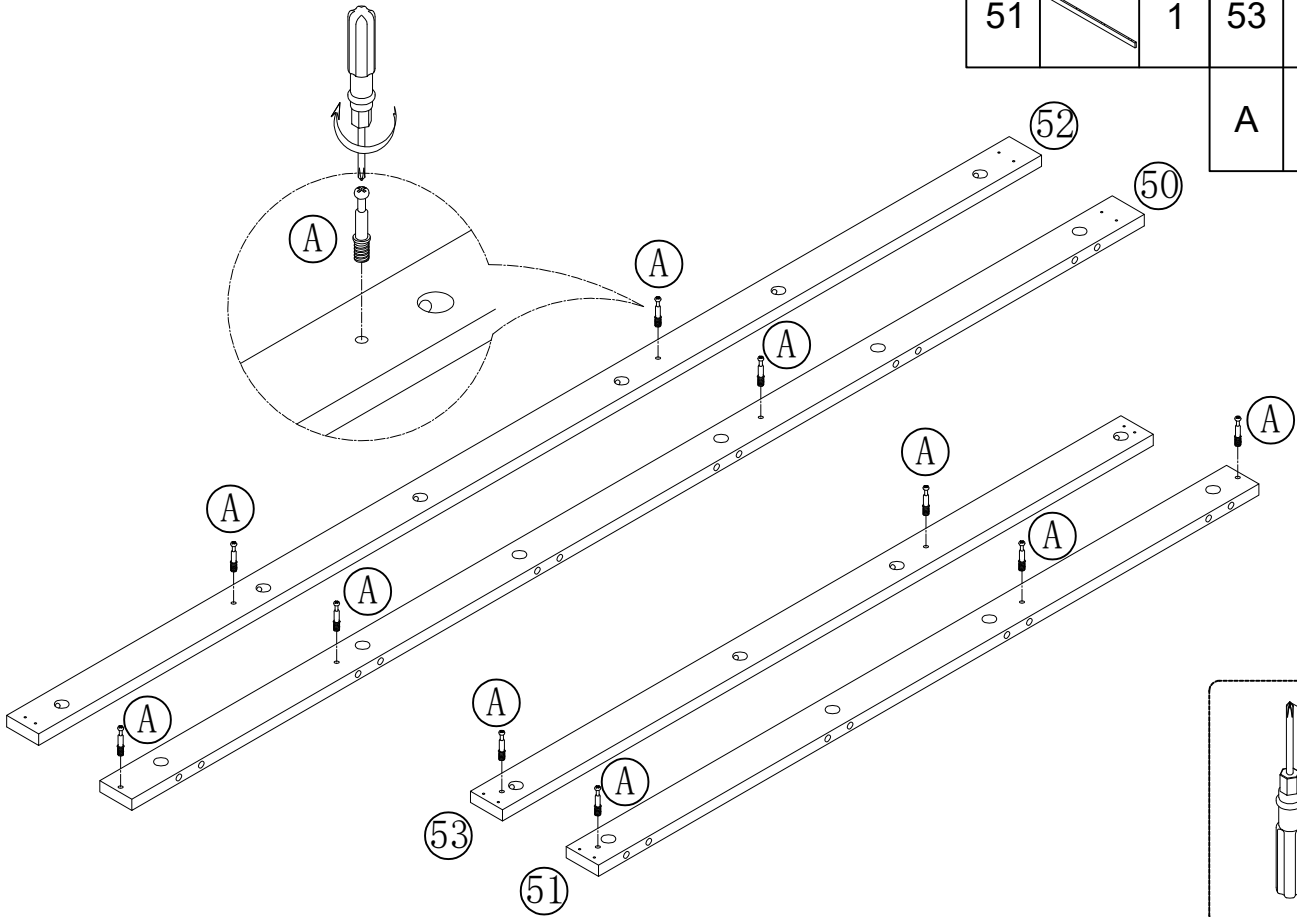
④5	RIGHT DRAWER SIDE CÔTÉ DROIT DU TIROIR 300x200x14mm		4PC
④6	DRAWER BACKBOARD PANNEAU ARRIÈRE DU TIROIR 234x200x14mm		4PC
④7	DRAWER BOTTOM FOND DU TIROIR 298x245x2.5mm		4PC
⑤0	FRONT LOWER TRIM GARNITURE INFÉRIEURE AVANT 1436x46x14mm		1PC
⑤2	REAR DECORATIVE STRIP BANDE DÉCORATIVE ARRIÈRE 1432x46x14mm		1PC
⑤4	BOTTOM SIDE DECORATIVE STRIP BANDE DÉCORATIVE INFÉRIEURE 367x46x14mm		1PC
⑤5	BOTTOM CENTER SUPPORT BAR BARRE DE SUPPORT CENTRALE INFÉRIEURE 353x46x14mm		4PC
⑤6	BOTTOM SIDE DECORATIVE STRIP BANDE DÉCORATIVE INFÉRIEURE 367x46x14mm		1PC

# PART LIST/LISTE DES PIÈCES

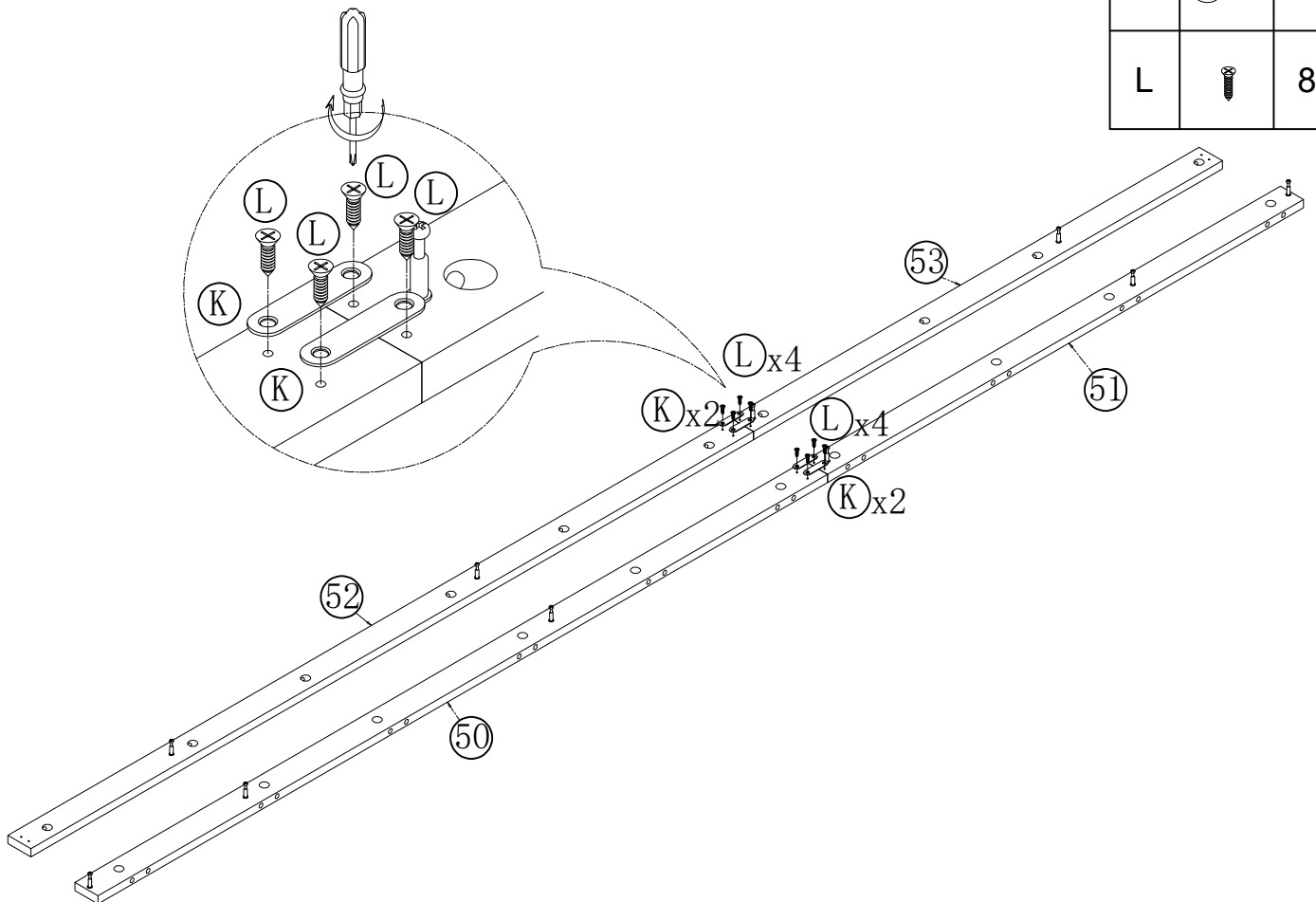
②8	BASE CABINET MEUBLE BAS 626x381x14mm		1PC	④3	RIGHT DOOR PORTE DE DROITE 600x300x14mm		2PC
②9	BASE CABINET/MEUBLE BAS 626x381x14mm		1PC	⑤1	BACKSIDE LOWER TRIM/GARNITURE INFÉRIEURE ARRIÈRE 943x46x14mm		1PC
③0	BASE CABINET MEUBLE BAS 626x367x14mm		1PC	⑤3	BACKSIDE LOWER TRIM GARNITURE INFÉRIEURE ARRIÈRE 933x46x14mm		1PC
③1	BASE CABINET MEUBLE BAS 626x367x14mm		1PC	⑤7	LEFT BACKBOARD PANNEAU ARRIÈRE GAUCHE 636x294x2.5mm		2PC
③2	BASE CABINET MEUBLE BAS 626x381x14mm		1PC	⑤8	BACKBOARD PANNEAU 636x300x2.5mm		2PC
③3	BASE CABINET MEUBLE BAS 626x381x14mm		1PC	⑤9	MIDDLE BACKBOARD PANNEAU CENTRAL 636x271x2.5mm		1PC
③6	LEFT FRONT DECORATIVE STRIP BANDE DÉCORATIVE AVANT GAUCHE 929x46x14mm		1PC				
③8	REMOVABLE SHELF OF BASE CABINET ÉTAGÈRE AMOVIBLE DU MEUBLE BAS 585x350x12mm		2PC				
③9	REMOVABLE SHELF OF BASE CABINET ÉTAGÈRE AMOVIBLE DU MEUBLE BAS 527x352x12mm		2PC				
④0	LEFT DRAWER FRONT TIROIR GAUCHE AVANT 300x300x14mm		2PC				
④1	RIGHT DRAWER FRONT TIROIR DROIT AVANT 300x300x14mm		2PC				
④2	LEFT DOOR PORTE GAUCHE 600x300x14mm		2PC				

# Step/Étape 1

50		1	52		1
51		1	53		1
A					10

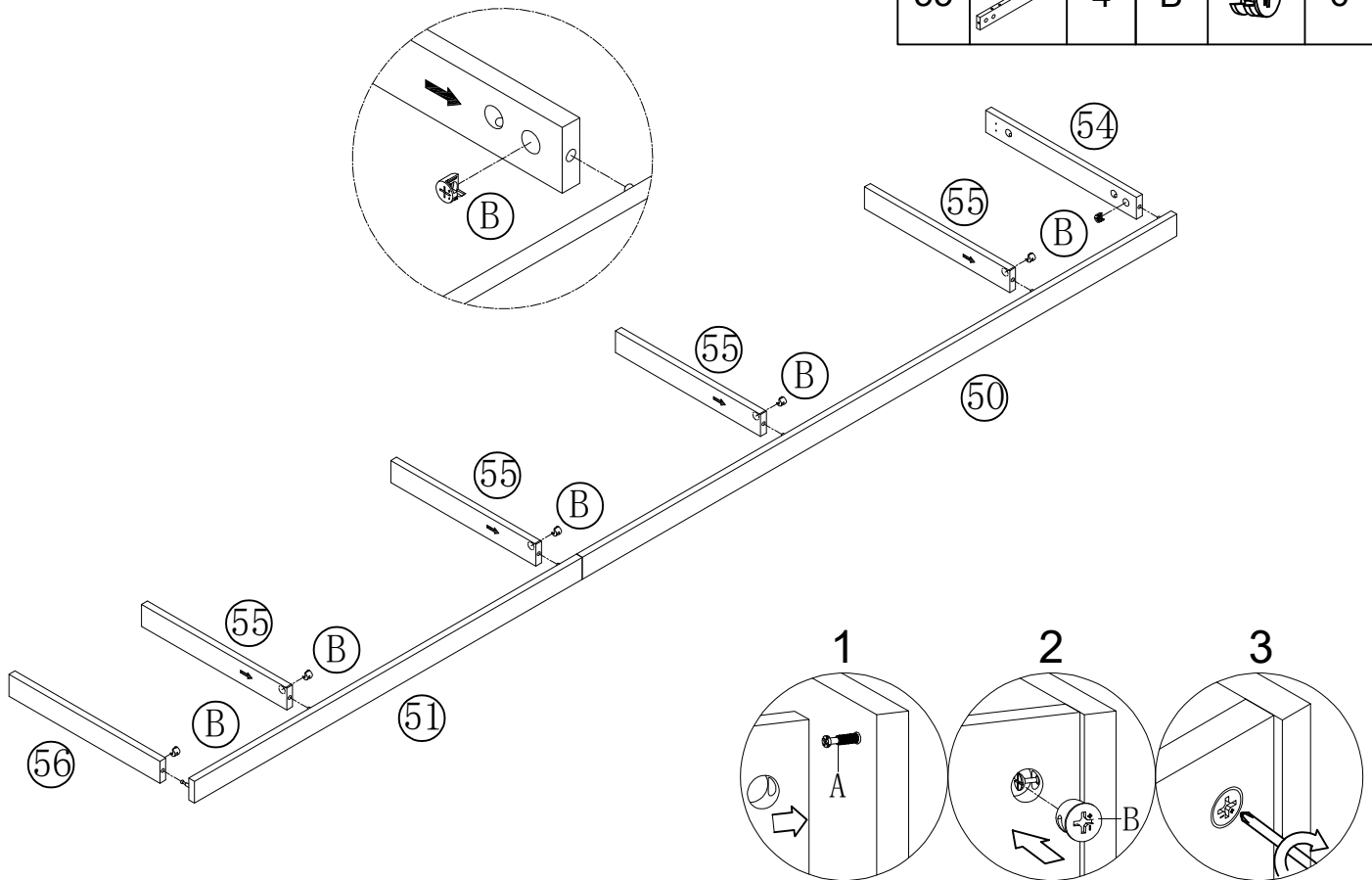


K		4
L		8

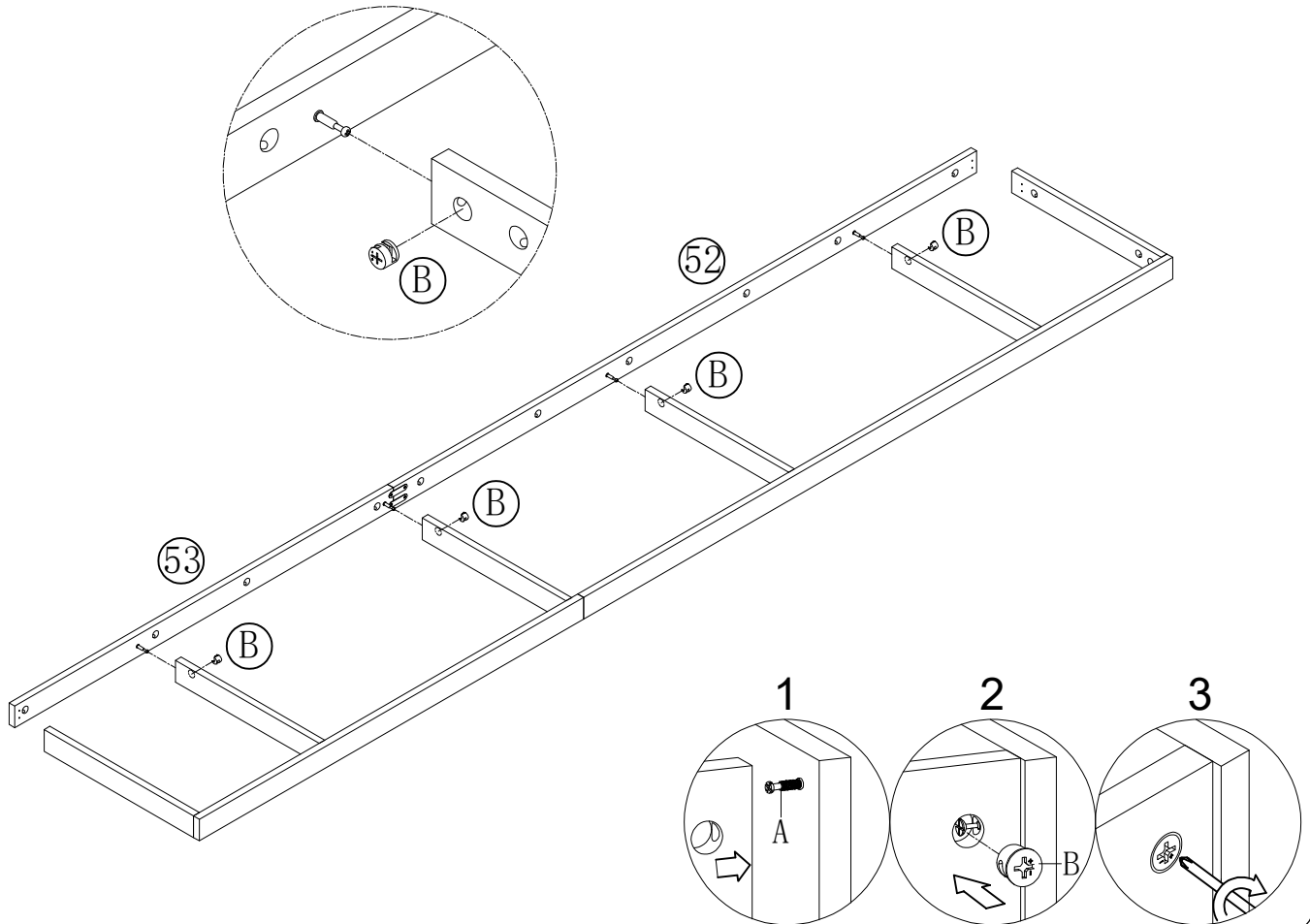


# Step/Étape 2

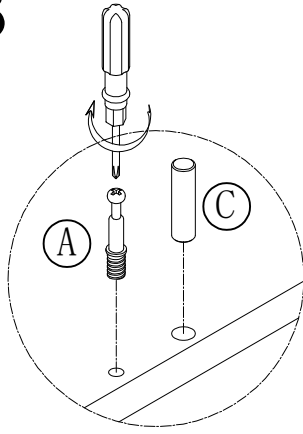
54		1	56		1
55		4	B		6



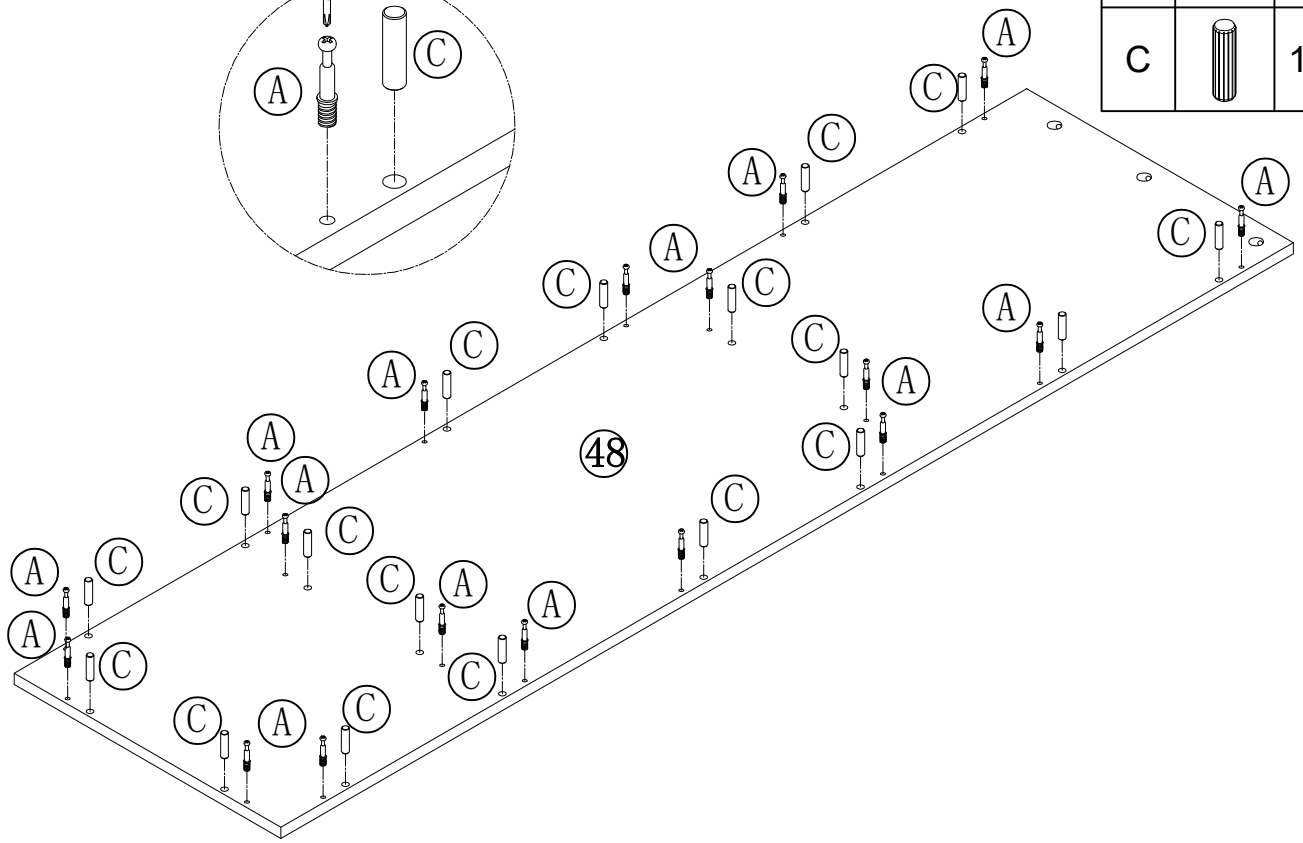
B		4
---	--	---



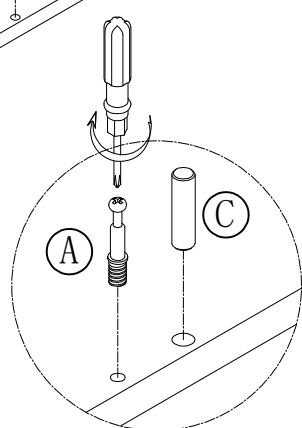
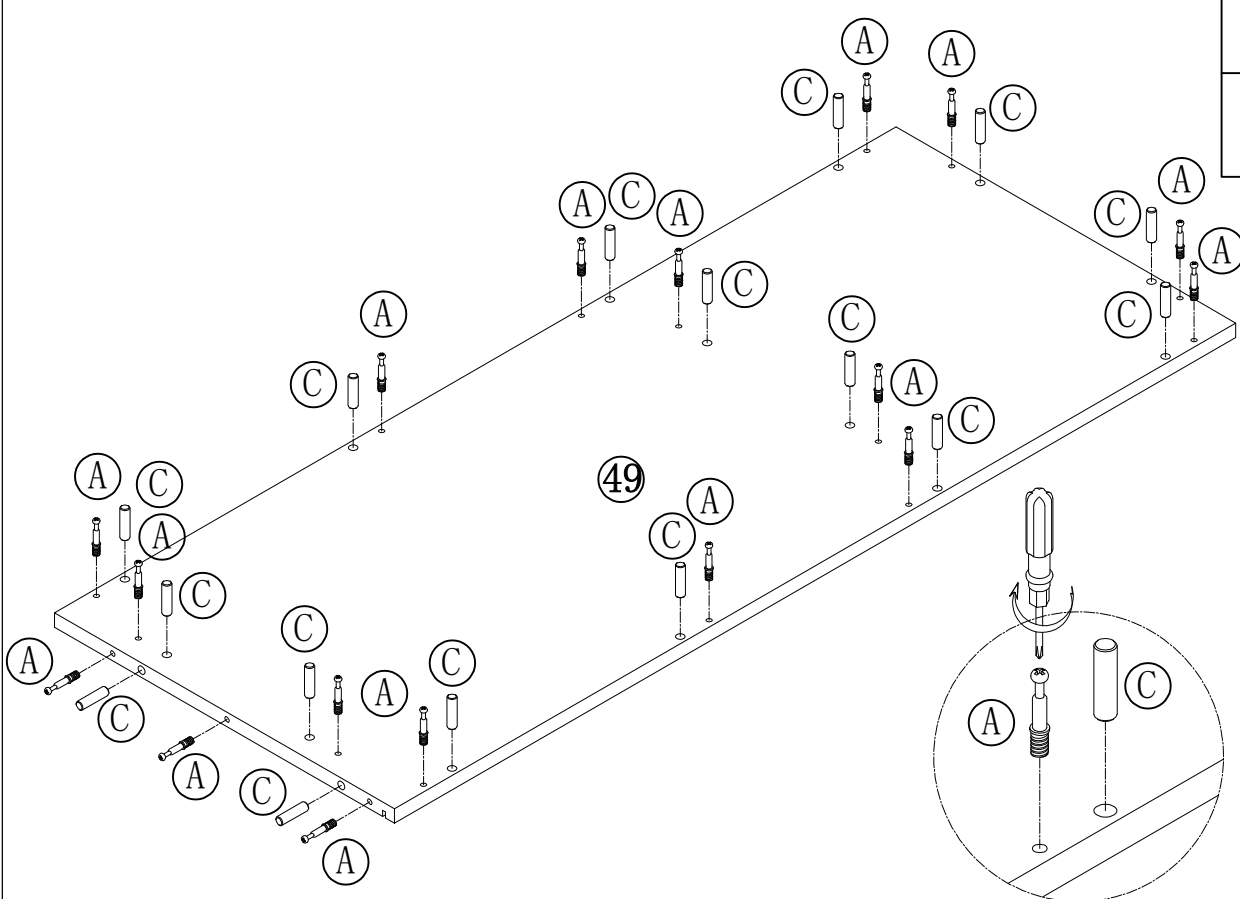
# Step/Étape 3



48		1
A		18
C		18



49		1
A		17
C		16

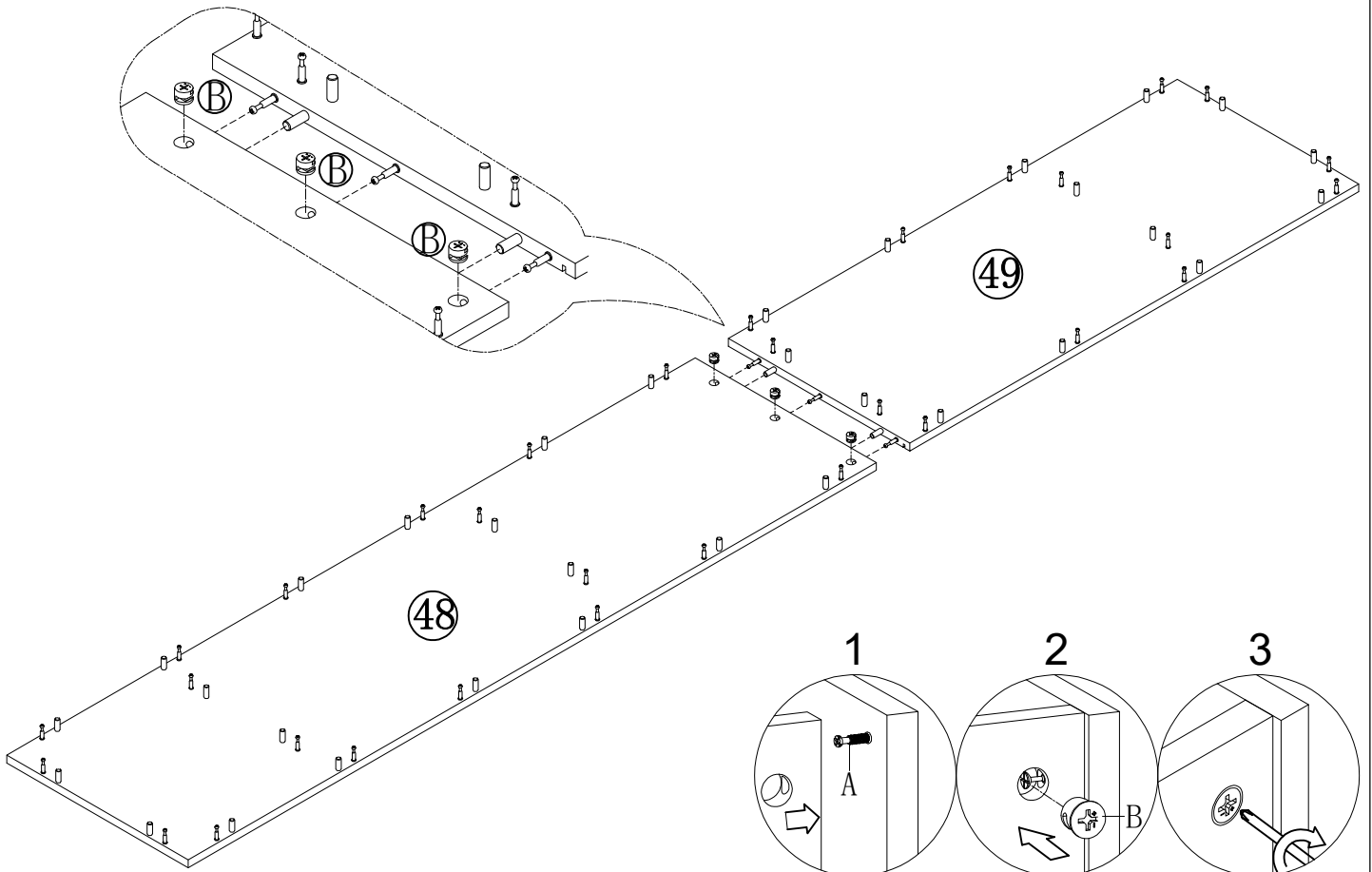


# Step/Étape 4

B



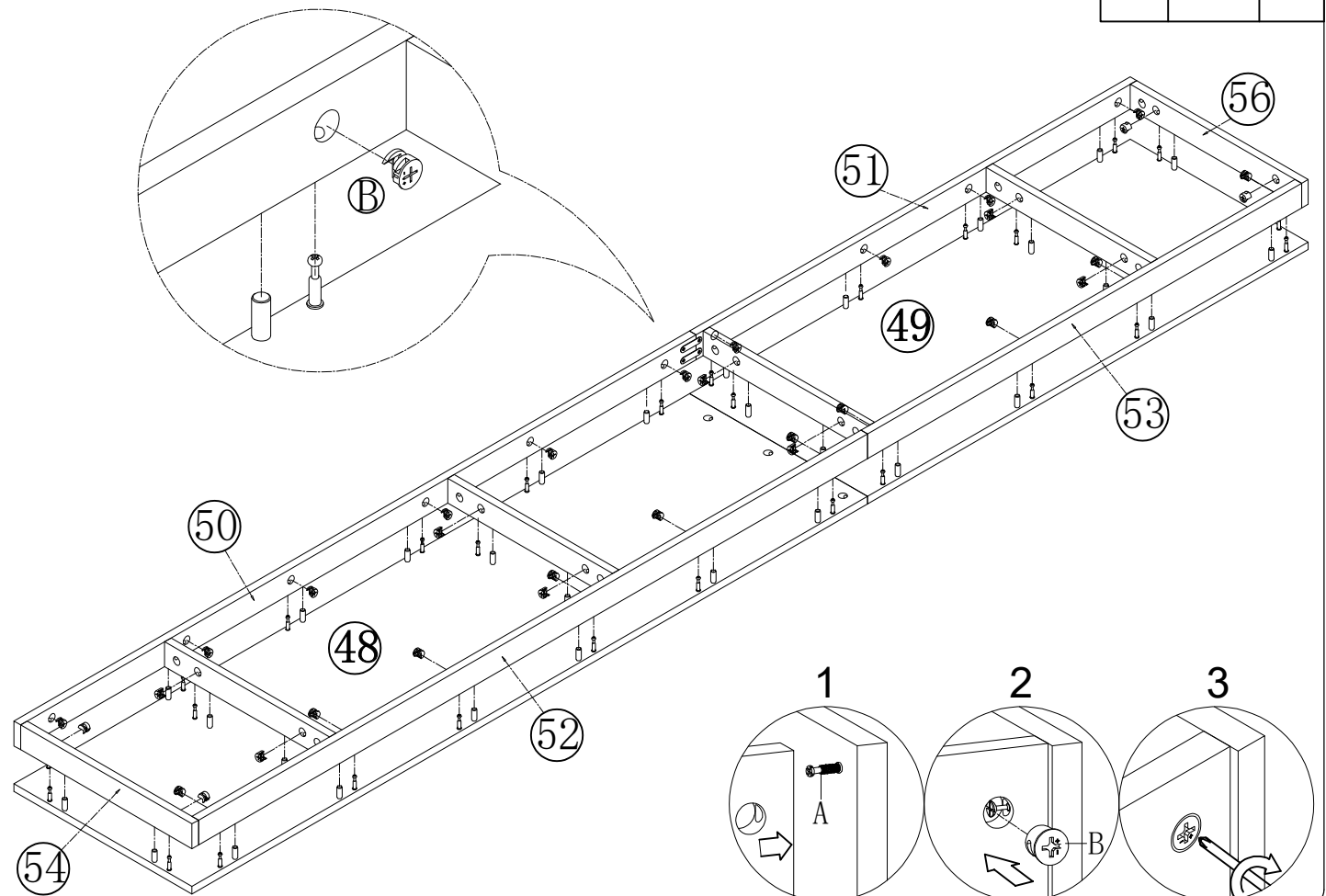
3





B

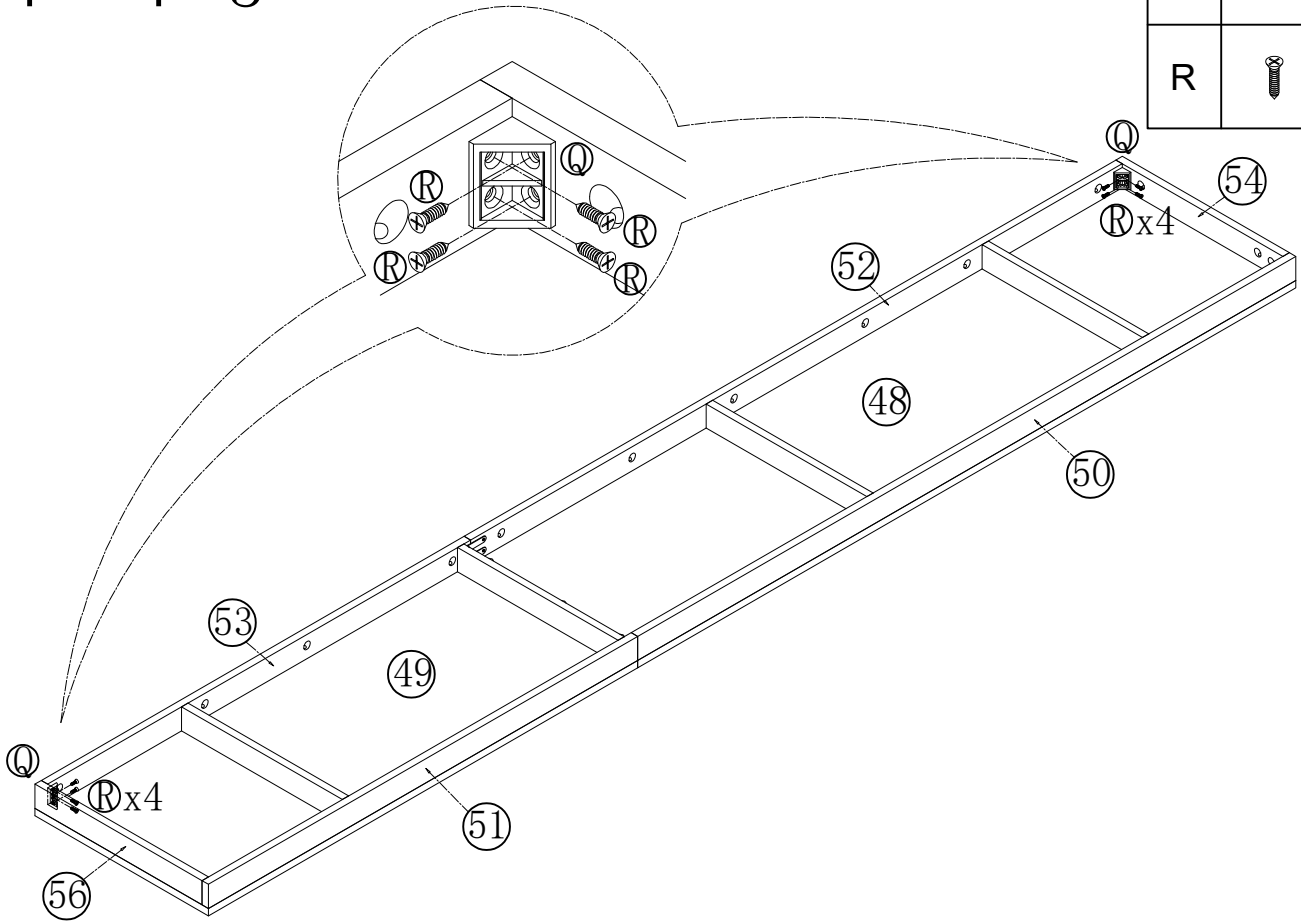


32





# Step/Étape 5

Q		2
R		8

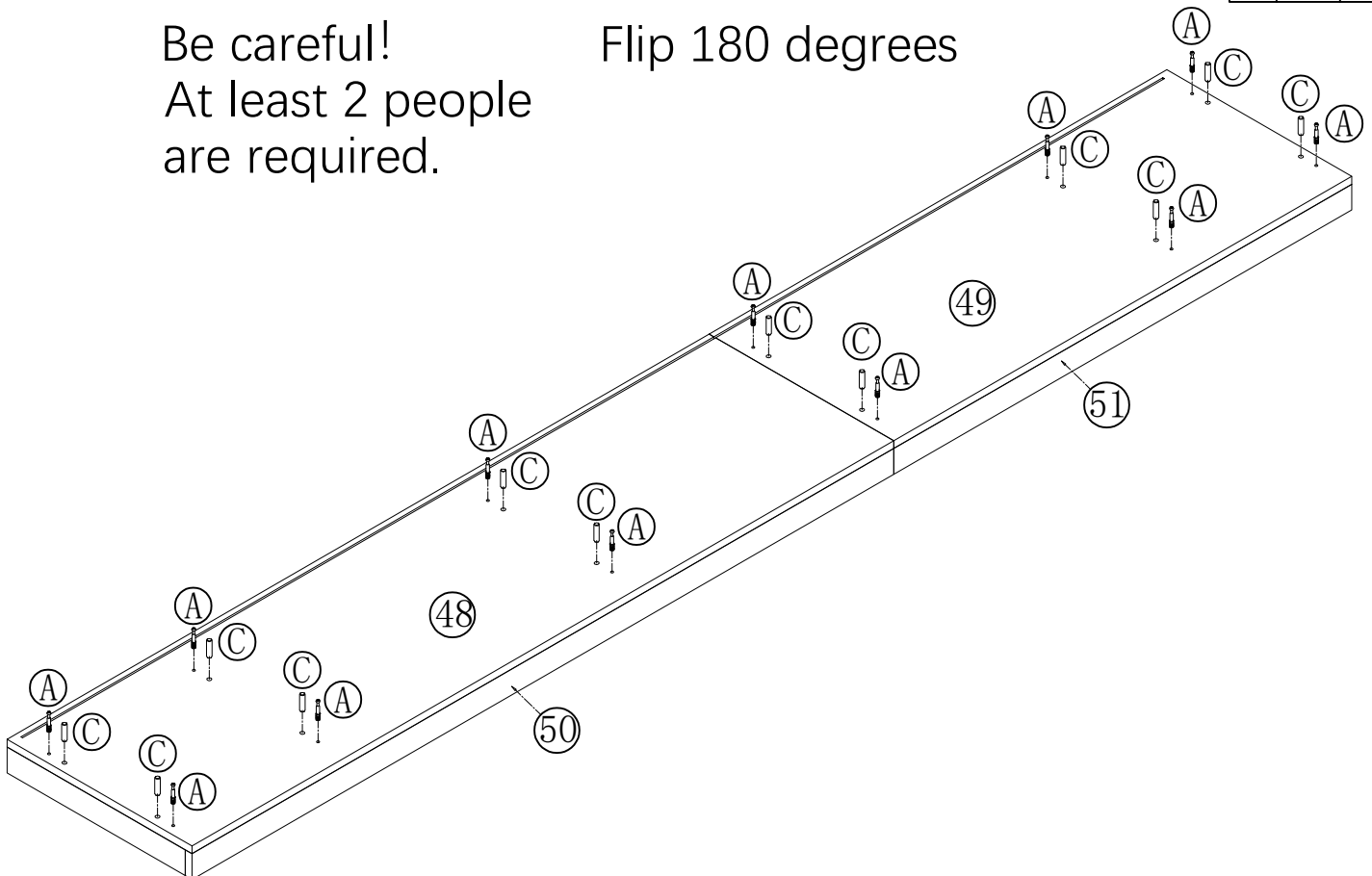


# Step/Étape 6

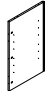
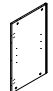

A		12
C		12

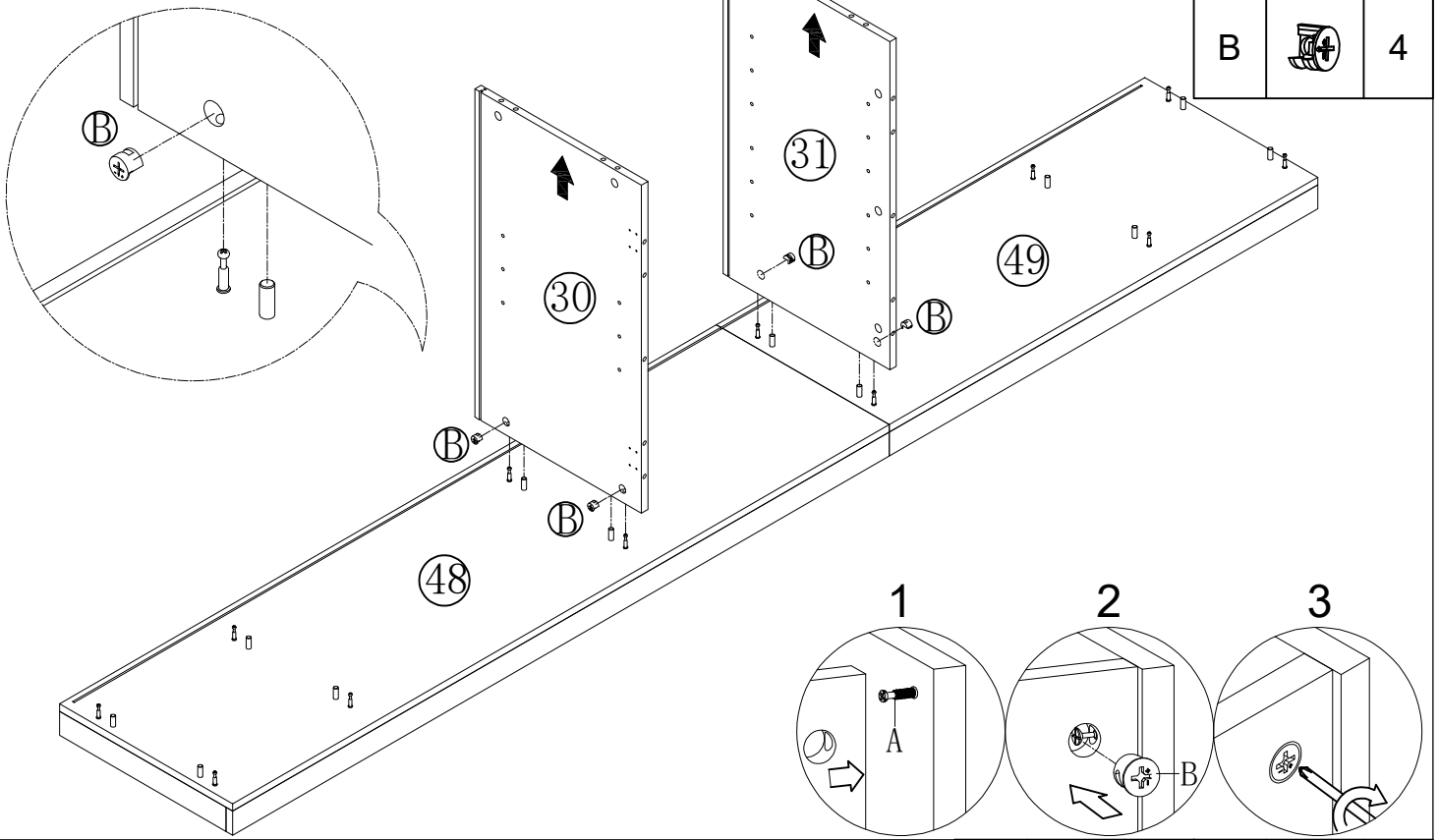
Be careful!  
At least 2 people  
are required.

Flip 180 degrees




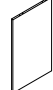



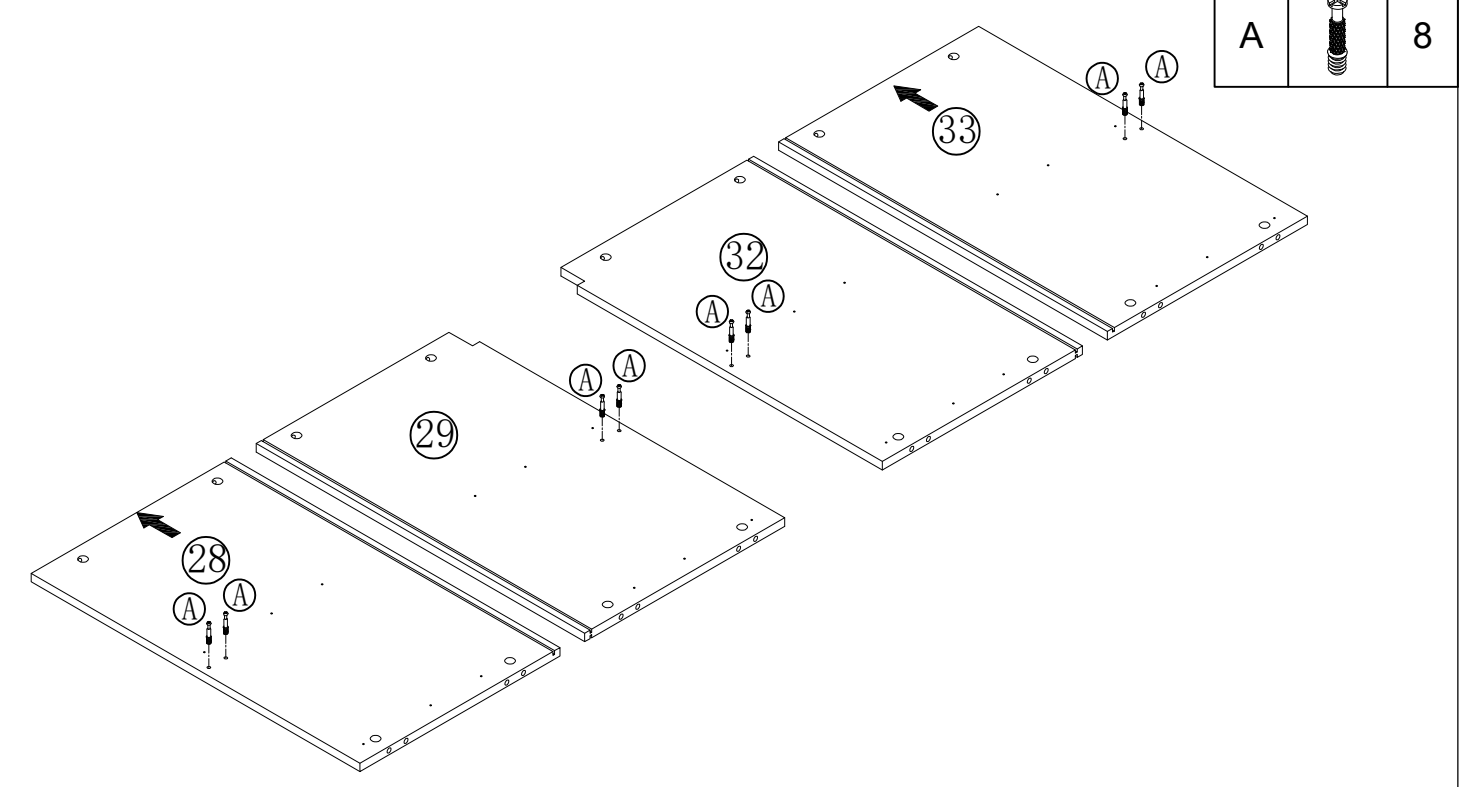
# Step/Étape 7

30		1
31		1
B		4

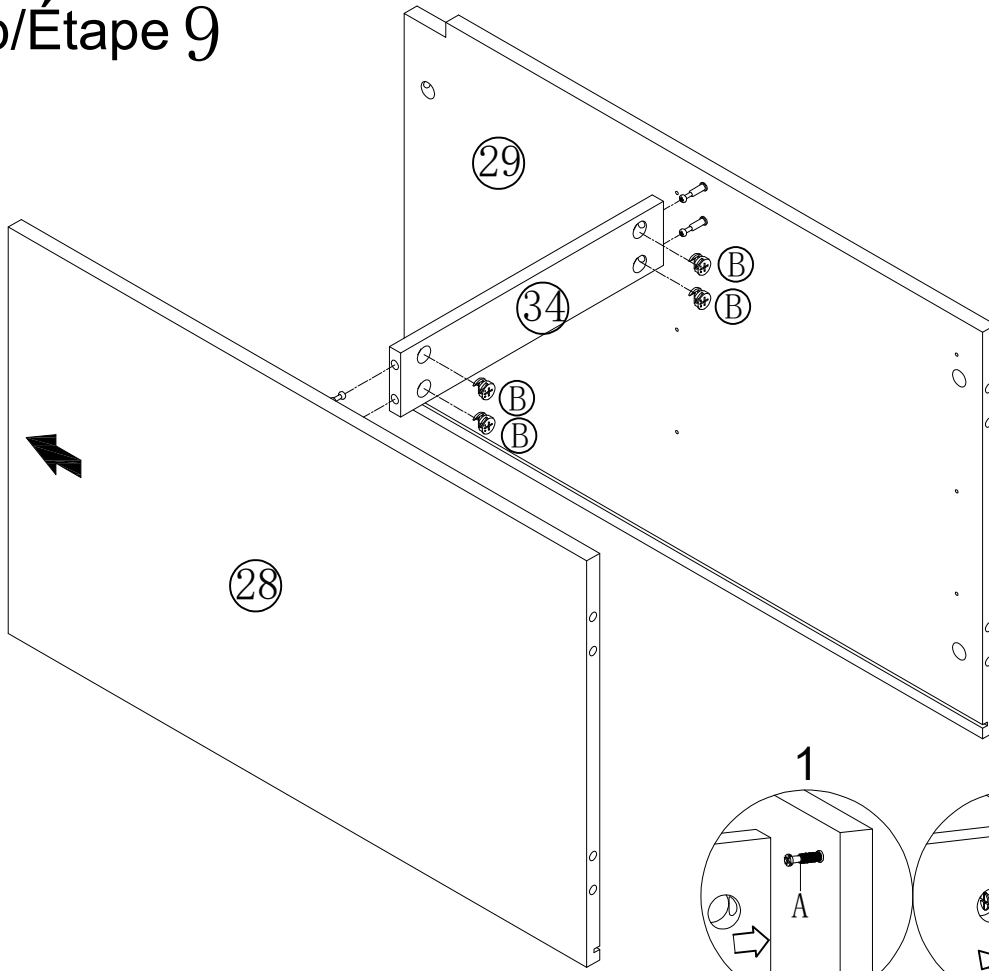


# Step/Étape 8

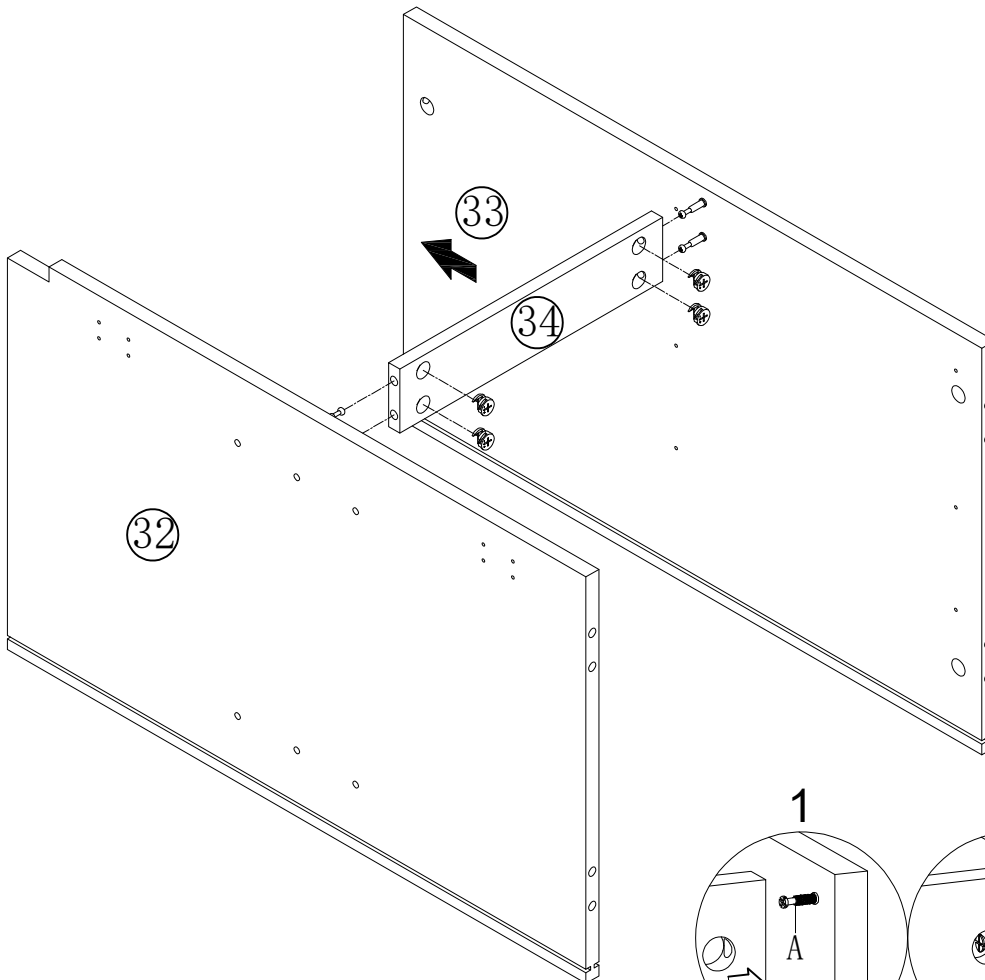
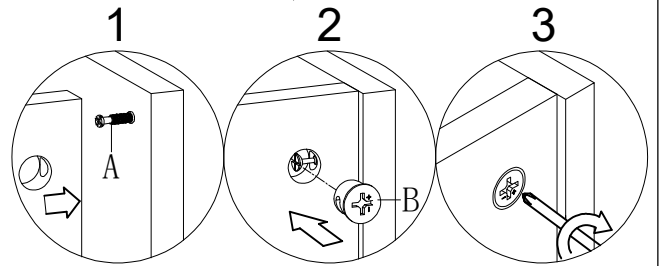
28		1	32		1
29		1	33		1
		A		8	



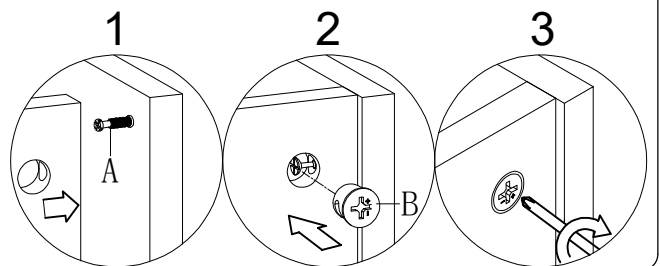
# Step/Étape 9



34		1
B		4



34		1
B		4

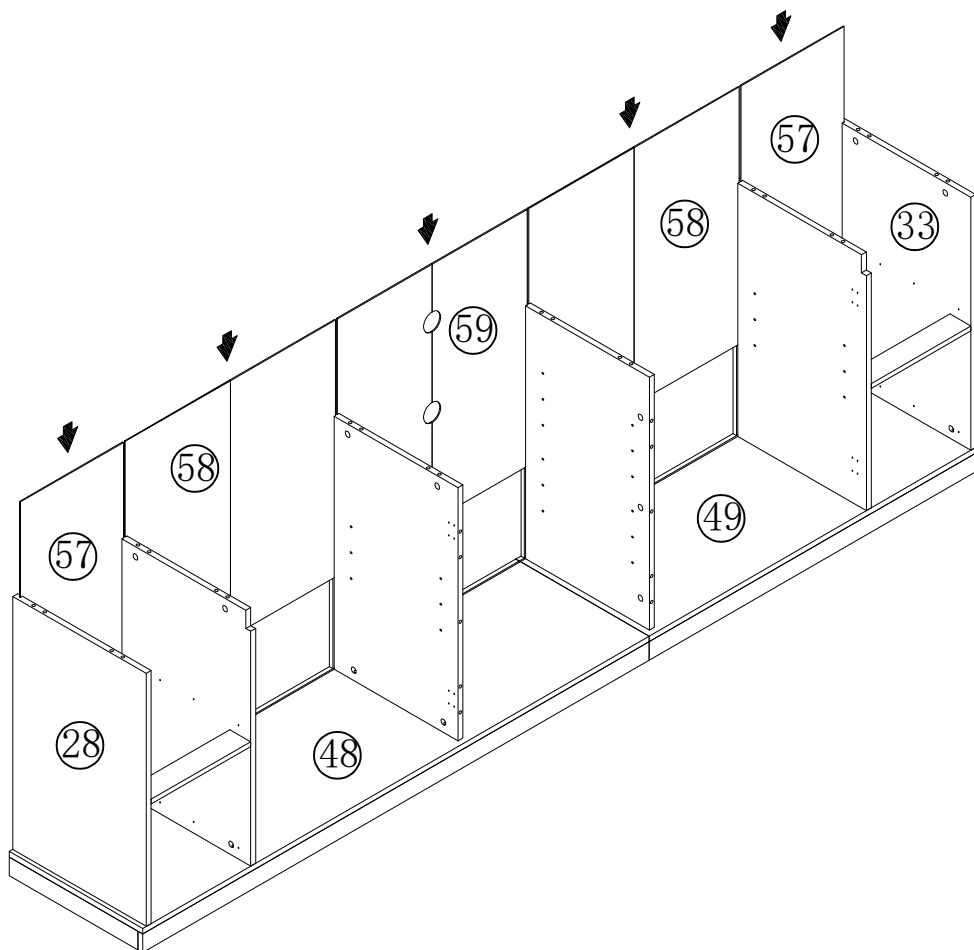
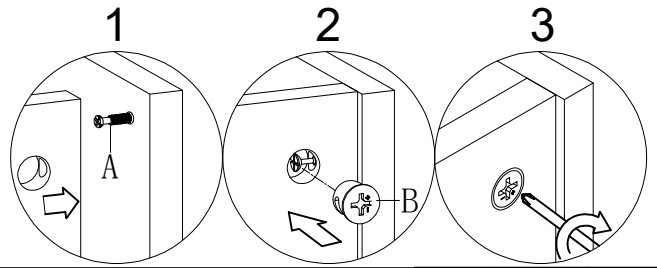
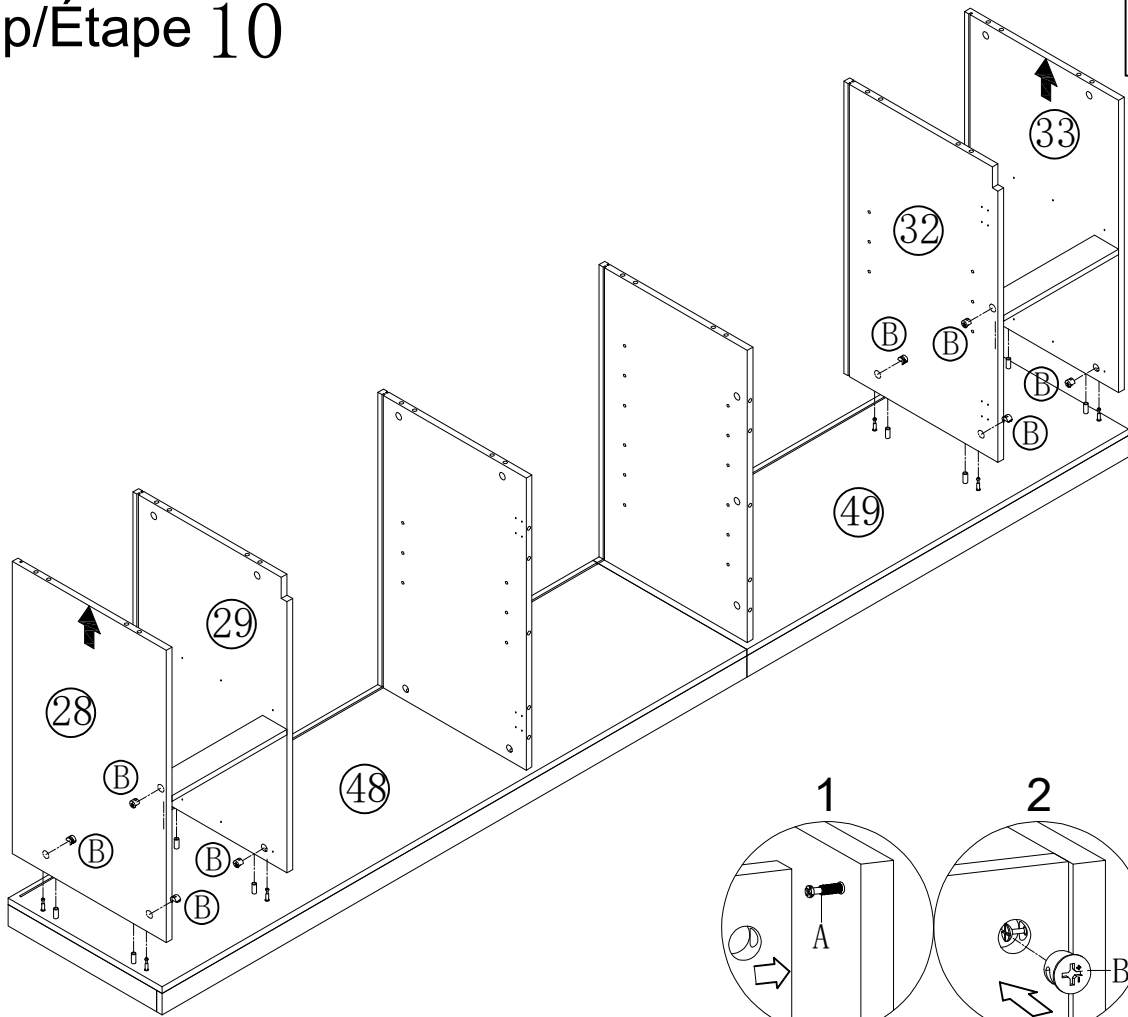


# Step/Étape 10

B





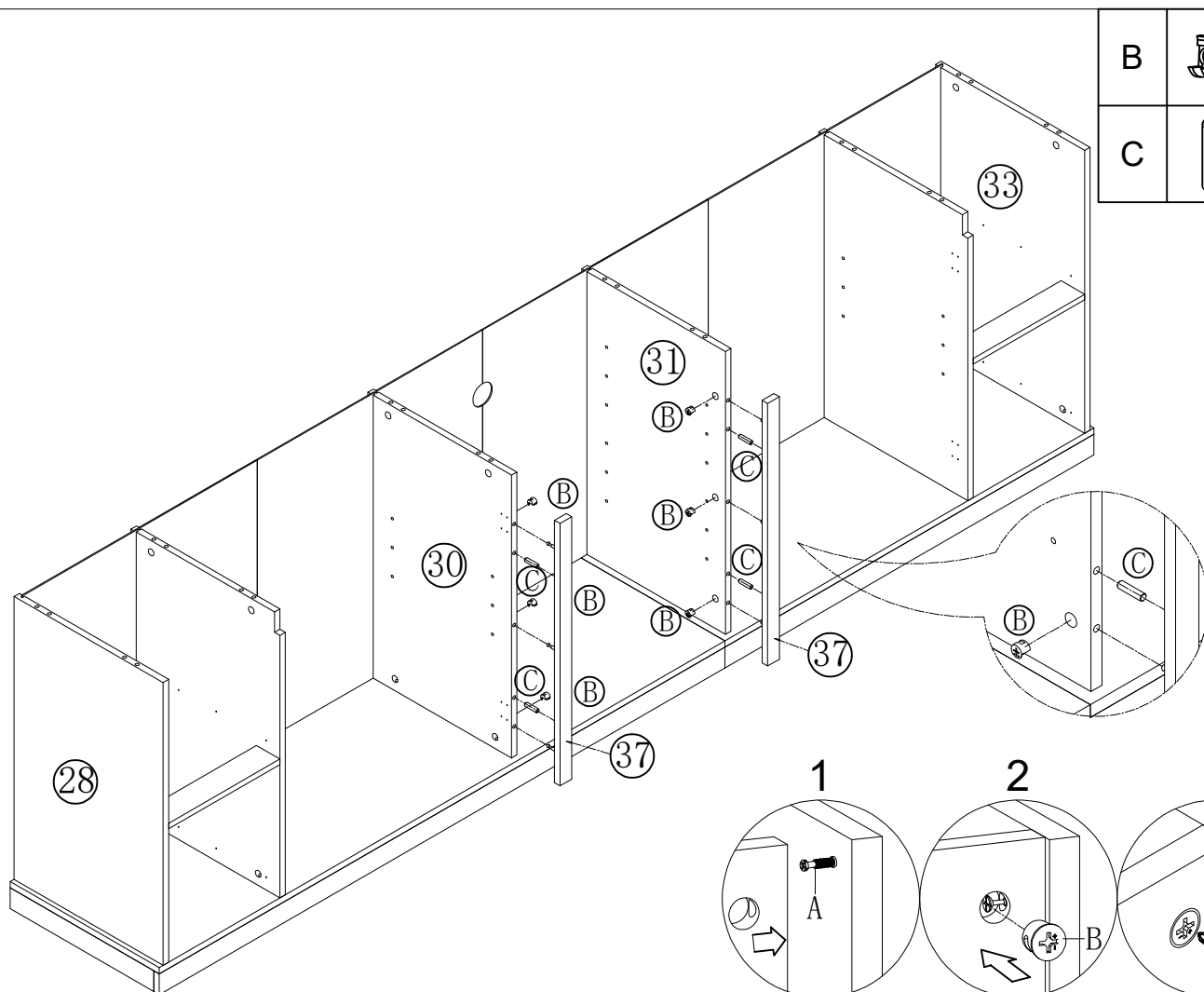
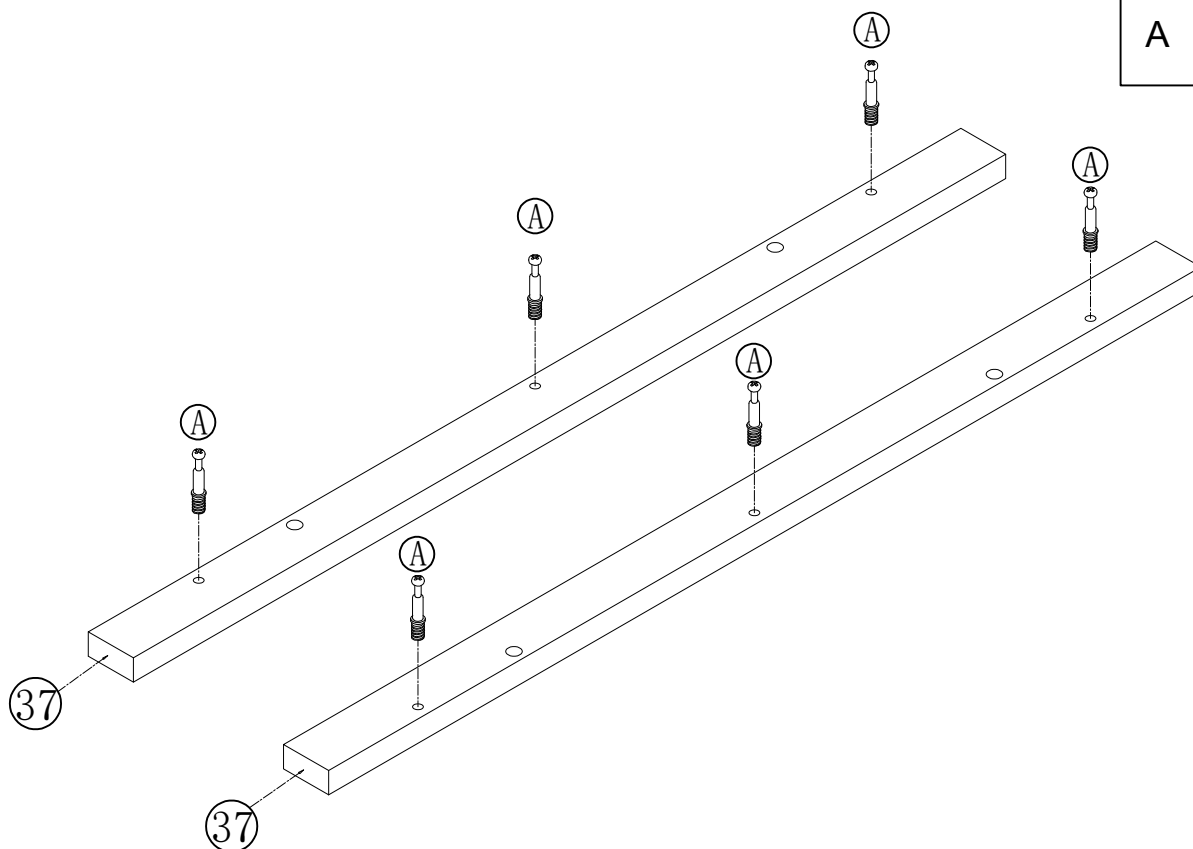
8





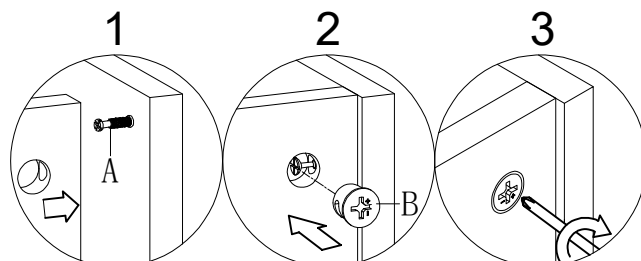
57		2
58		2
59		1

# Step/Étape 11

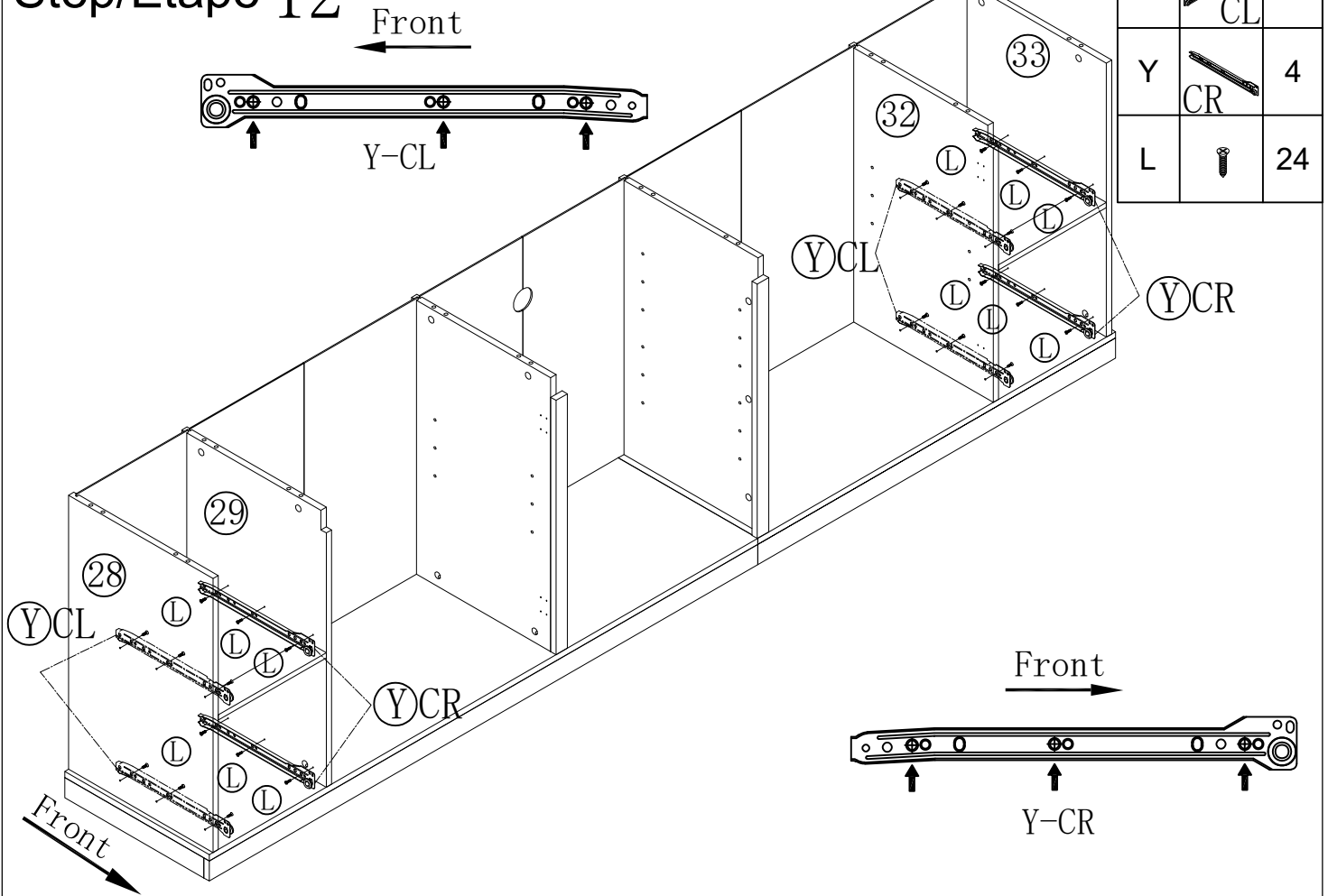
37		2
A		6



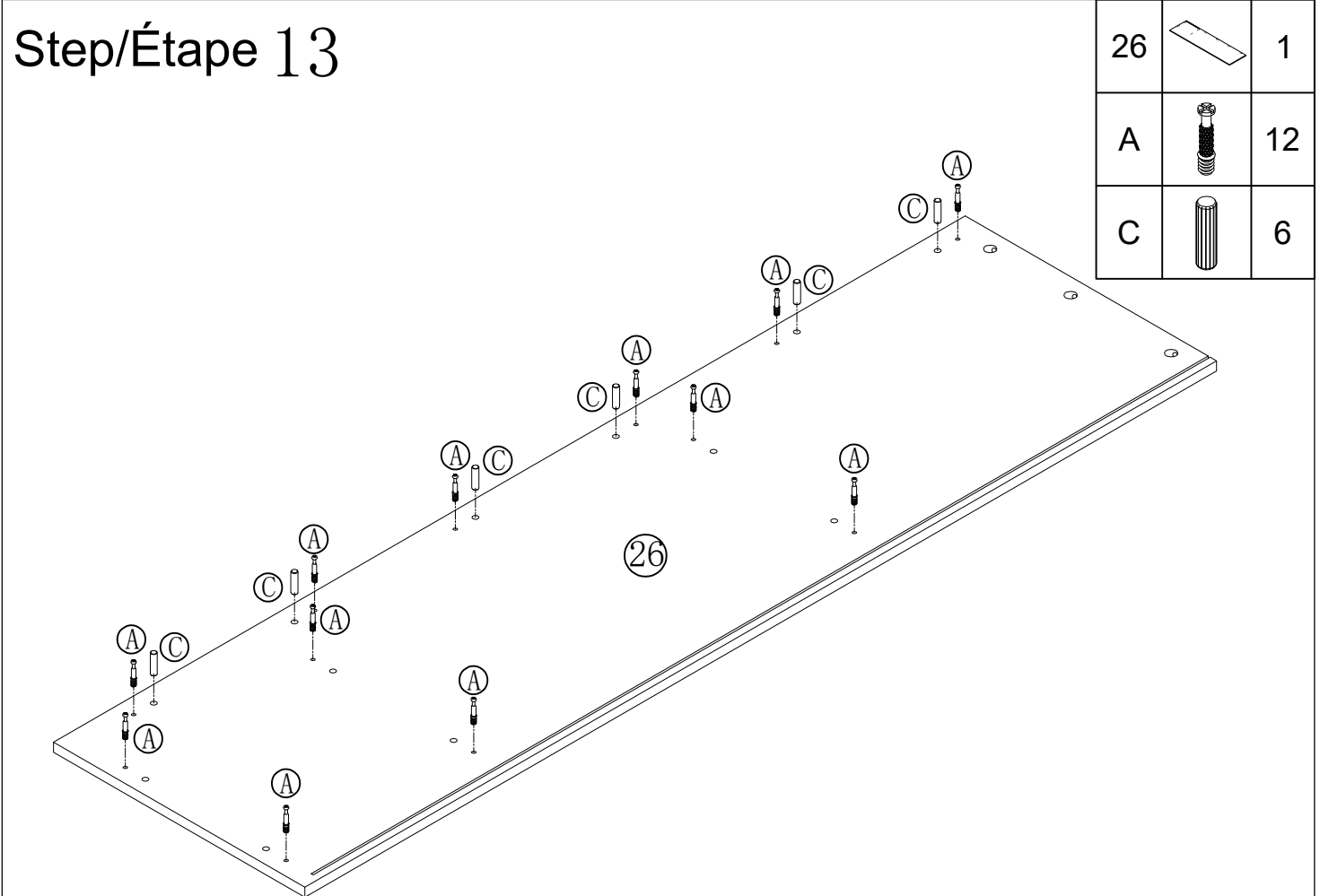
B		6
C		4





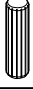
# Step/Étape 12

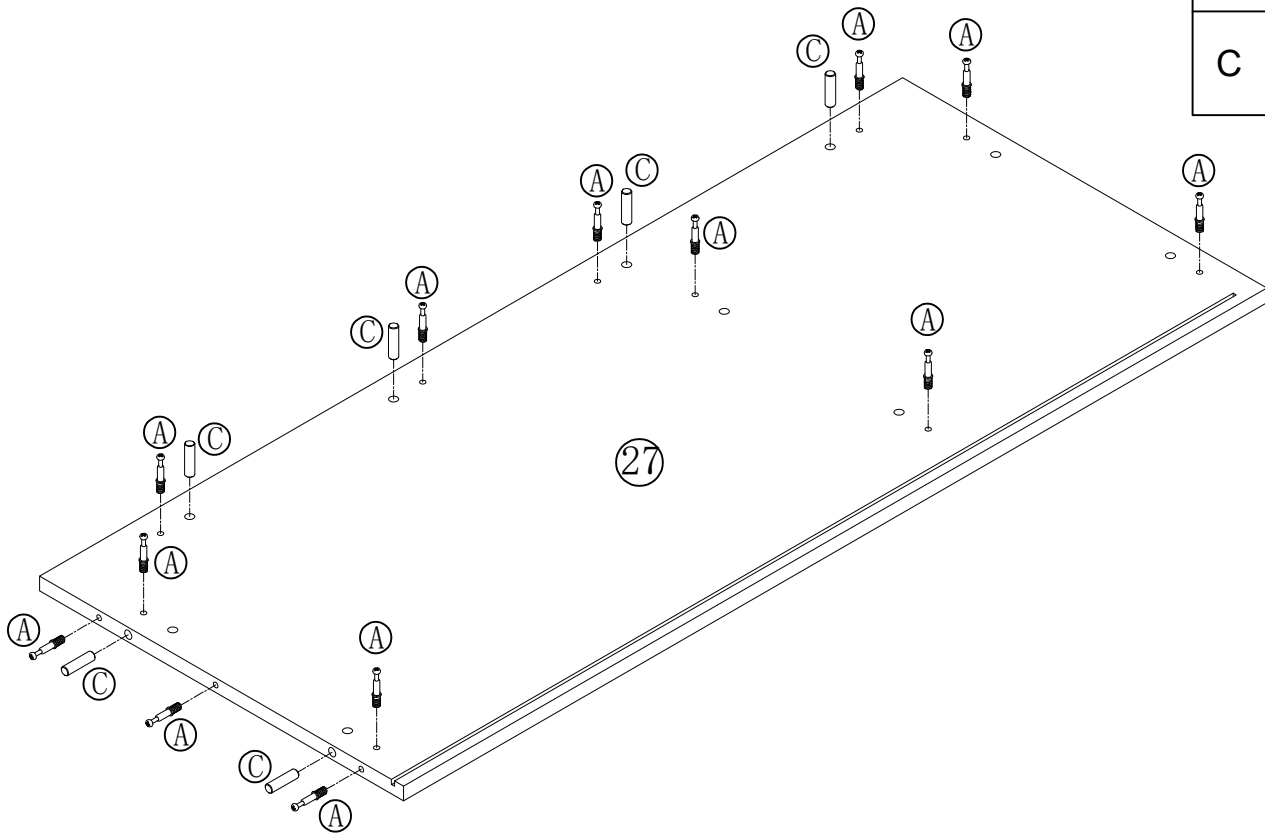



# Step/Étape 13

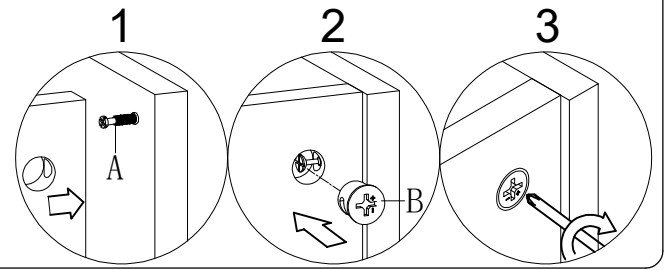
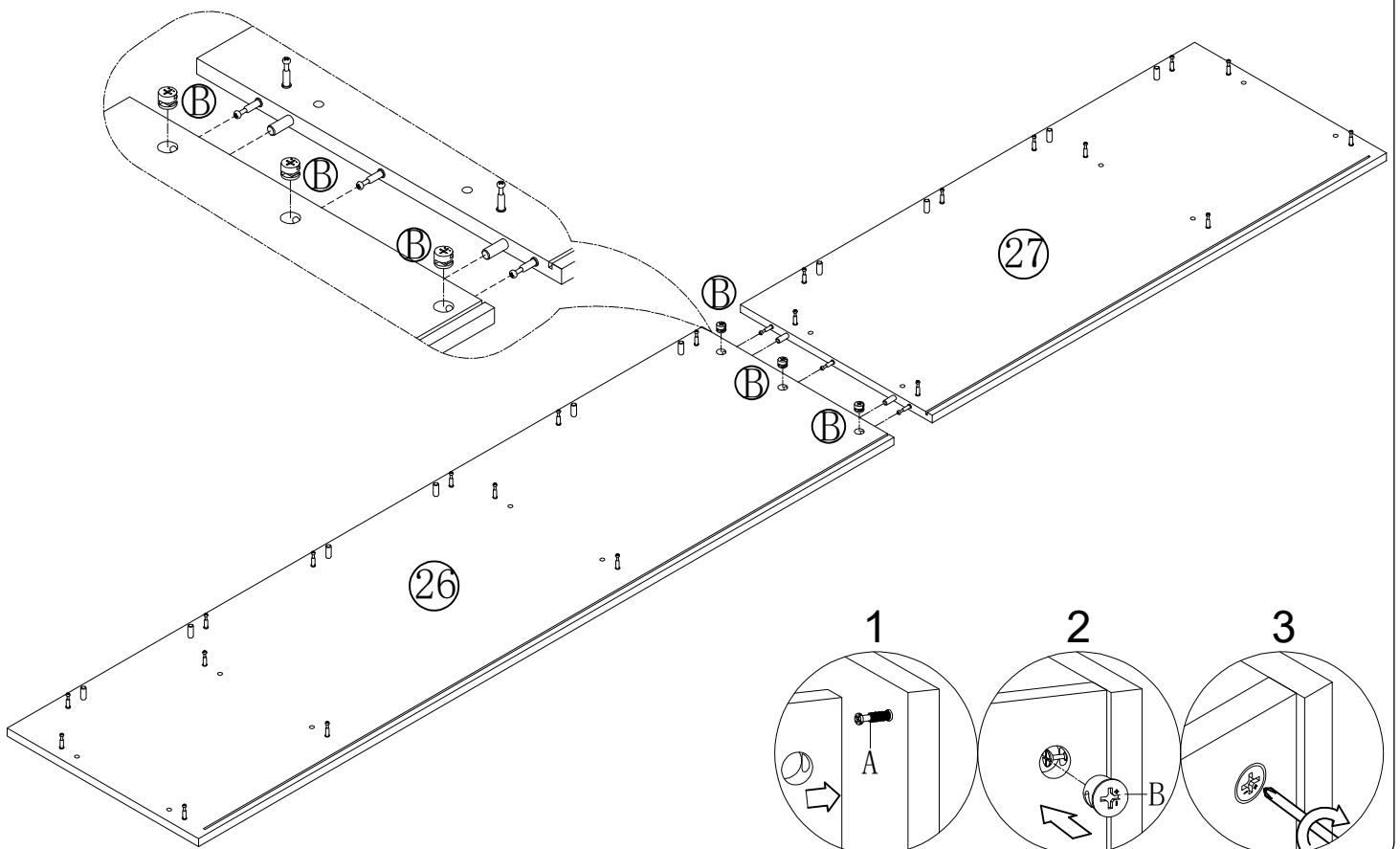


# Step/Étape 14

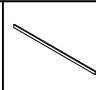

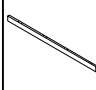

27		1
A		13
C		6

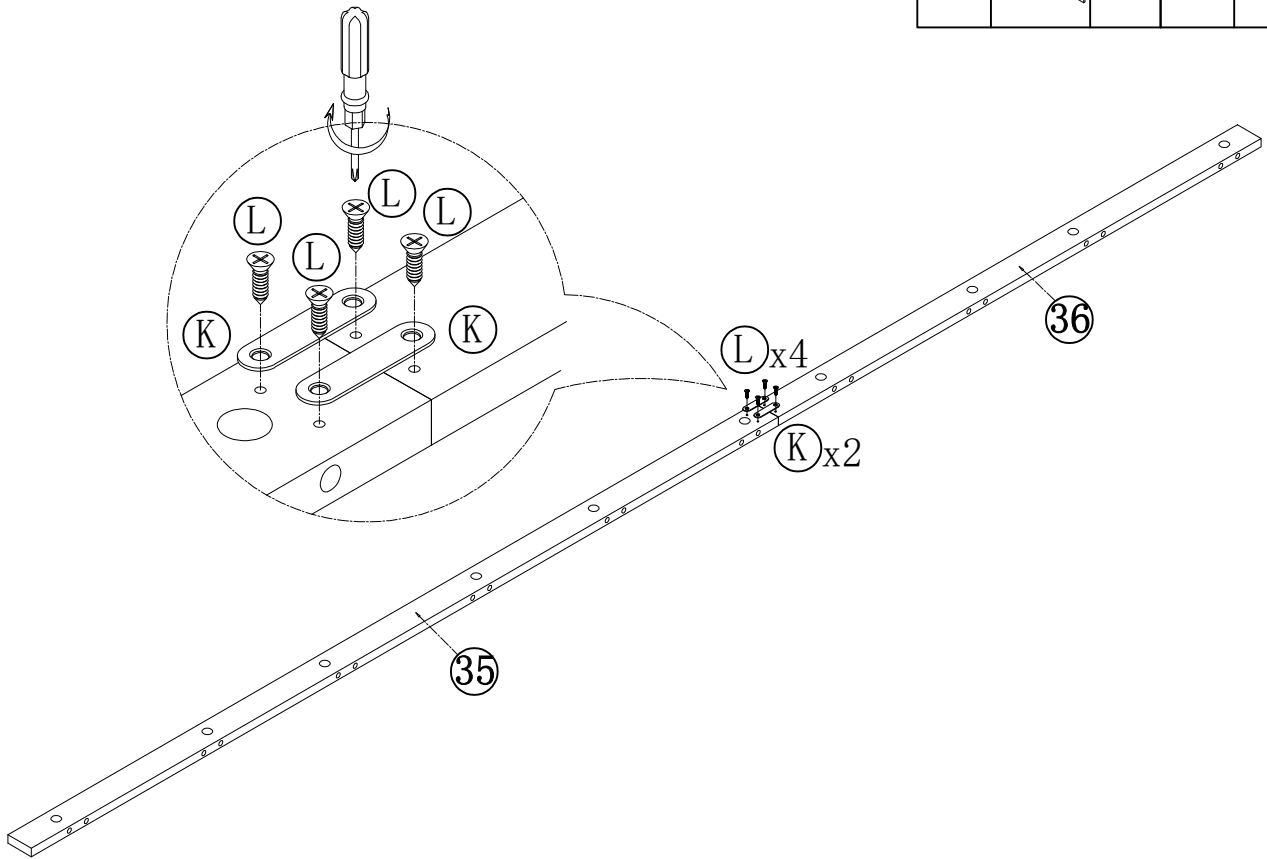



B		3
---	---	---

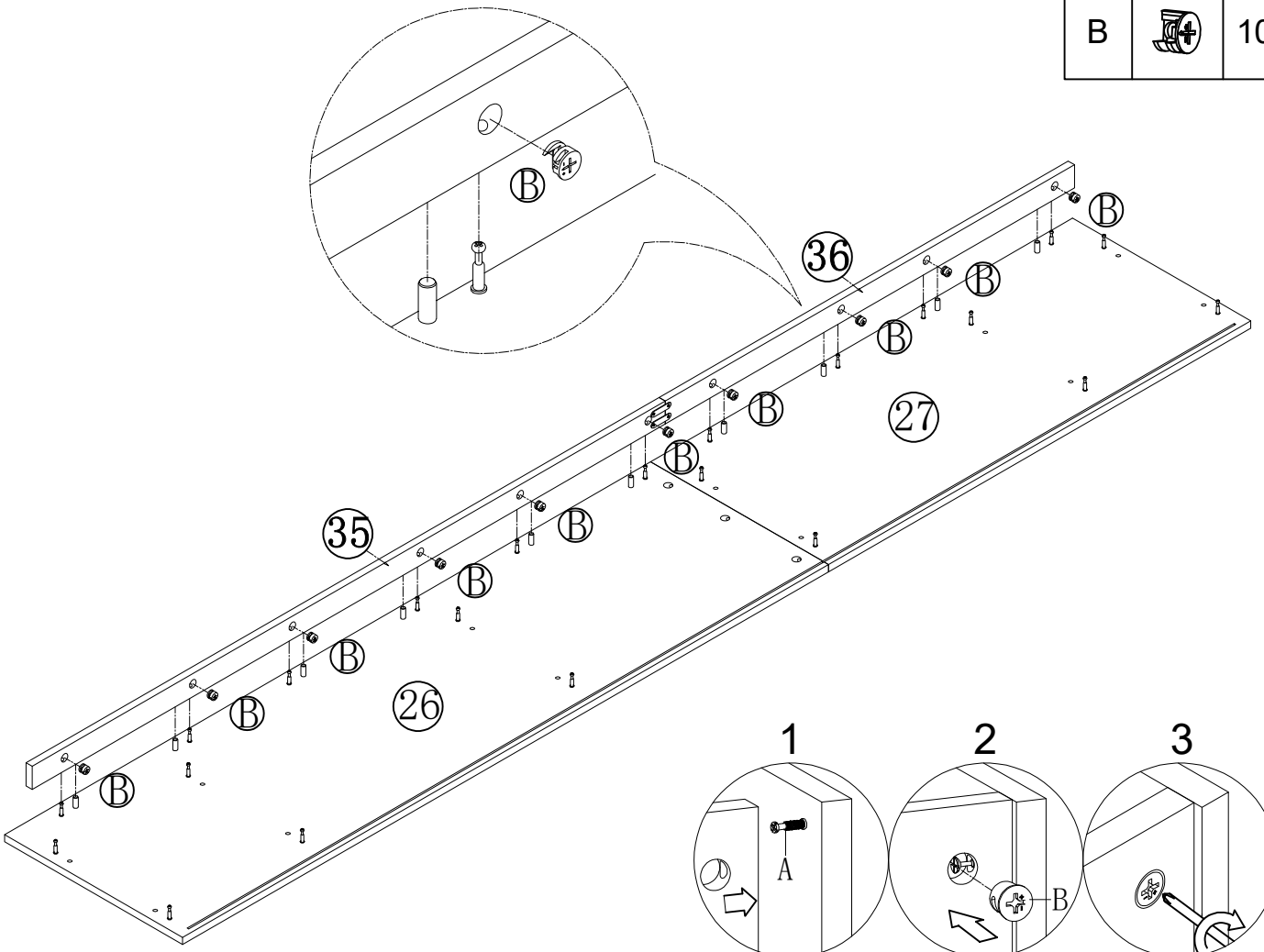


# Step/Étape 15


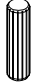
35		1	K		2
36		1	L		4

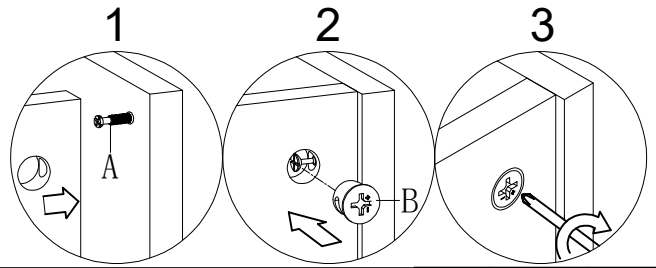
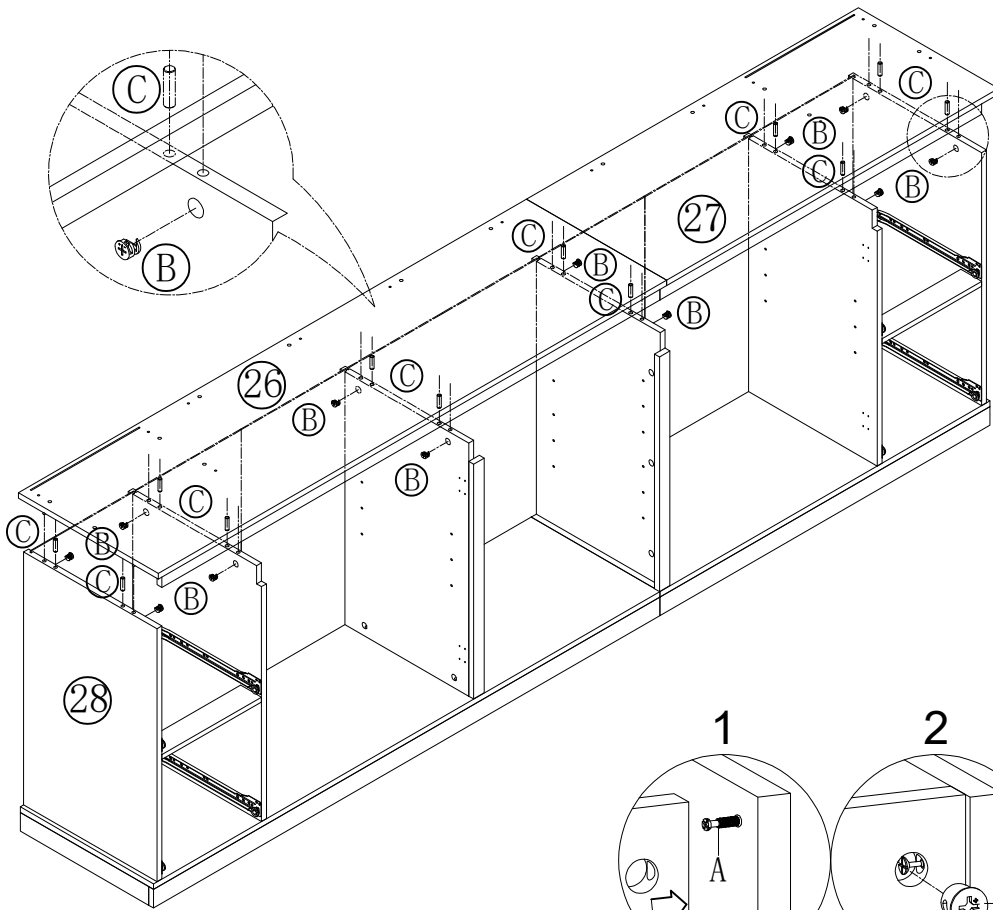



B		10
---	---	----

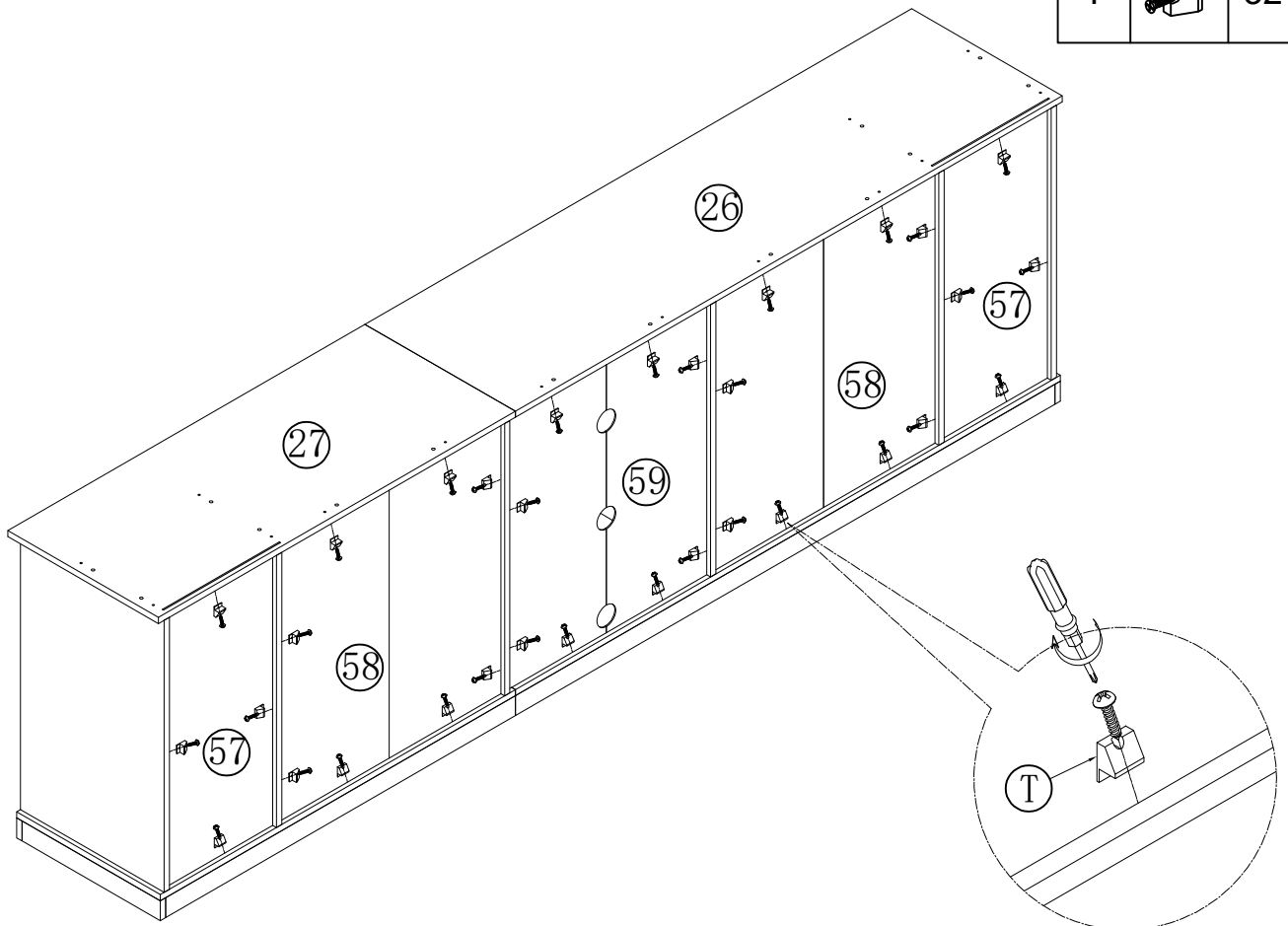


# Step/Étape 16

B		12
C		12

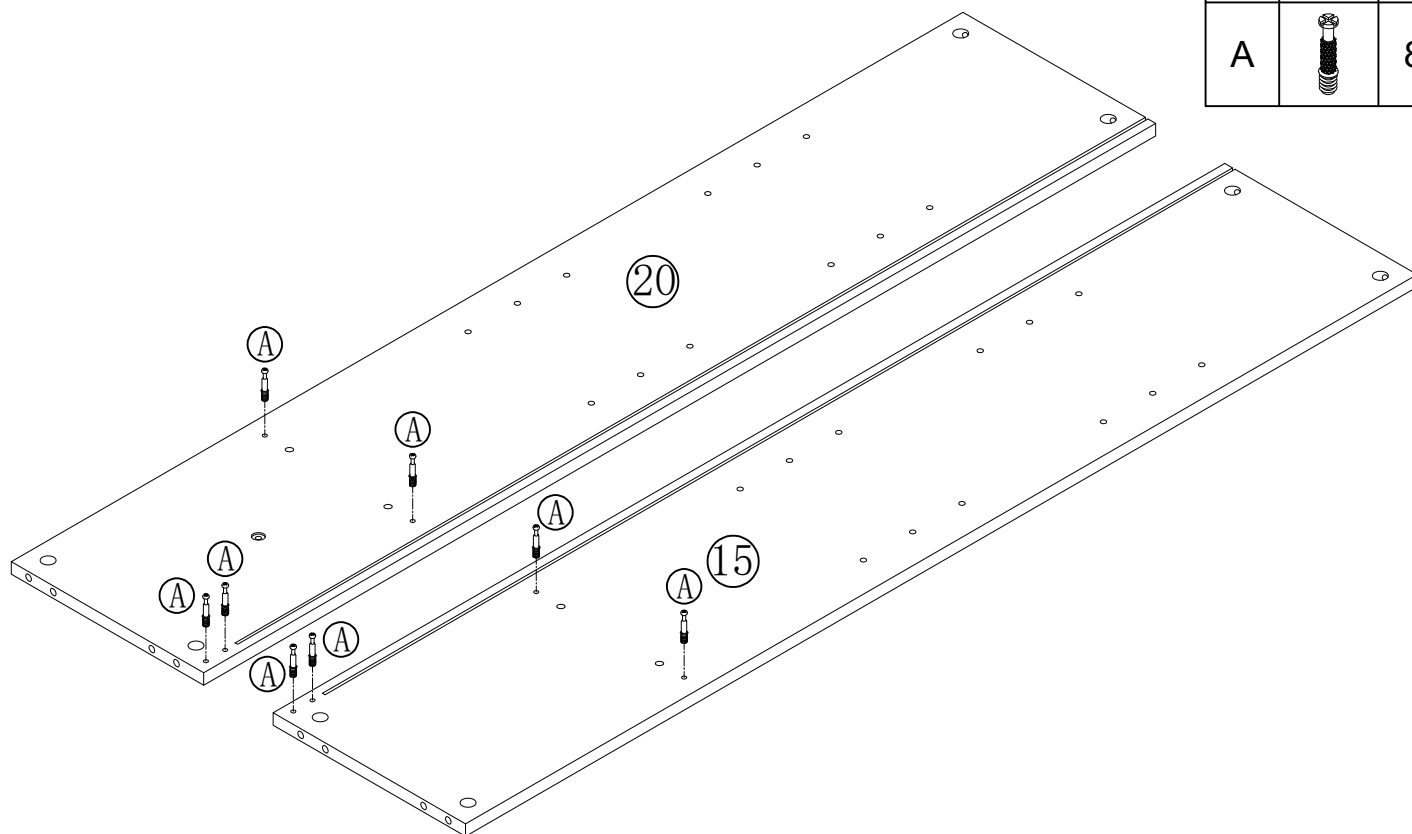


T		32
---	---	----

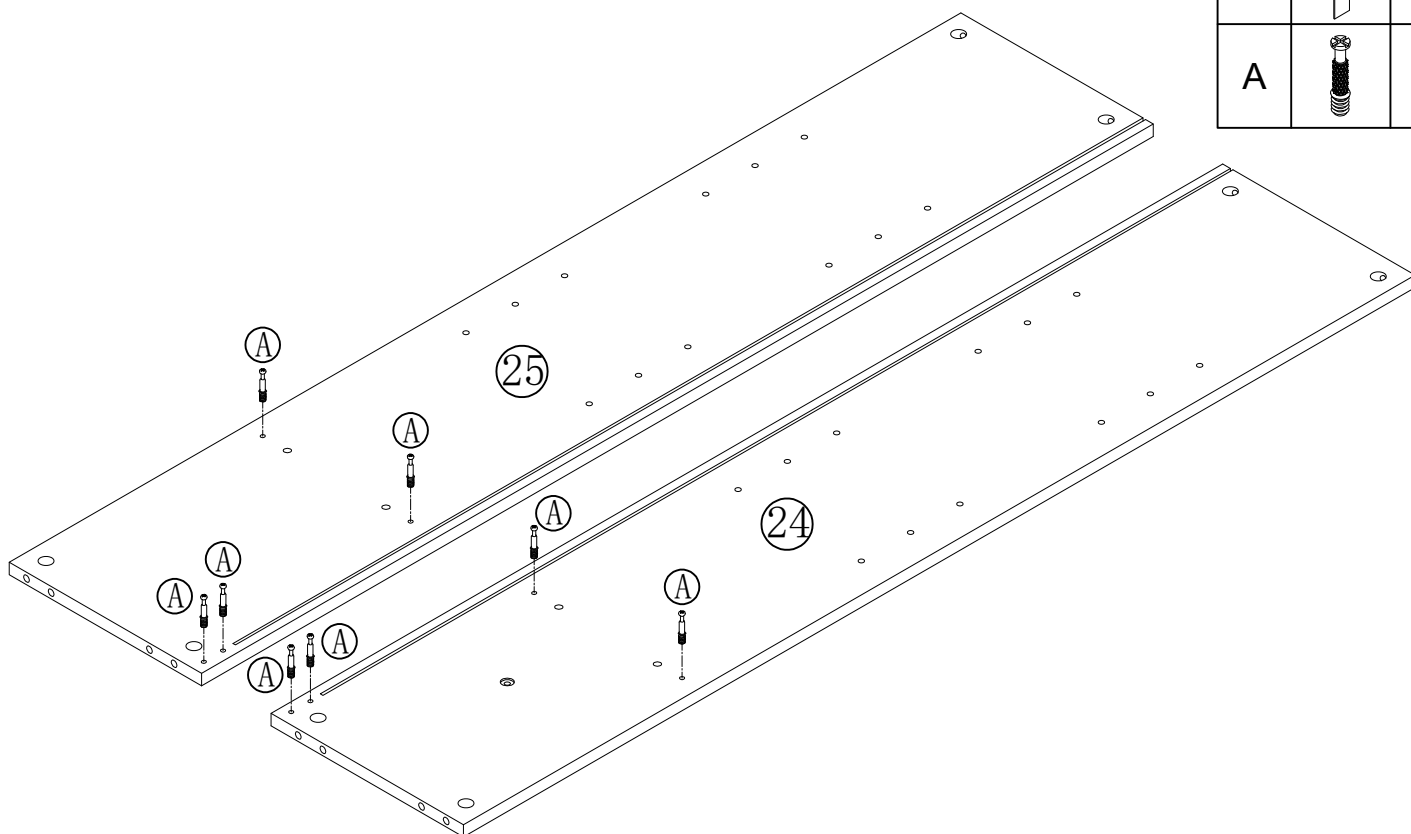


# Step/Étape 17

15		1
20		1
A		8



24		1
25		1
A		8

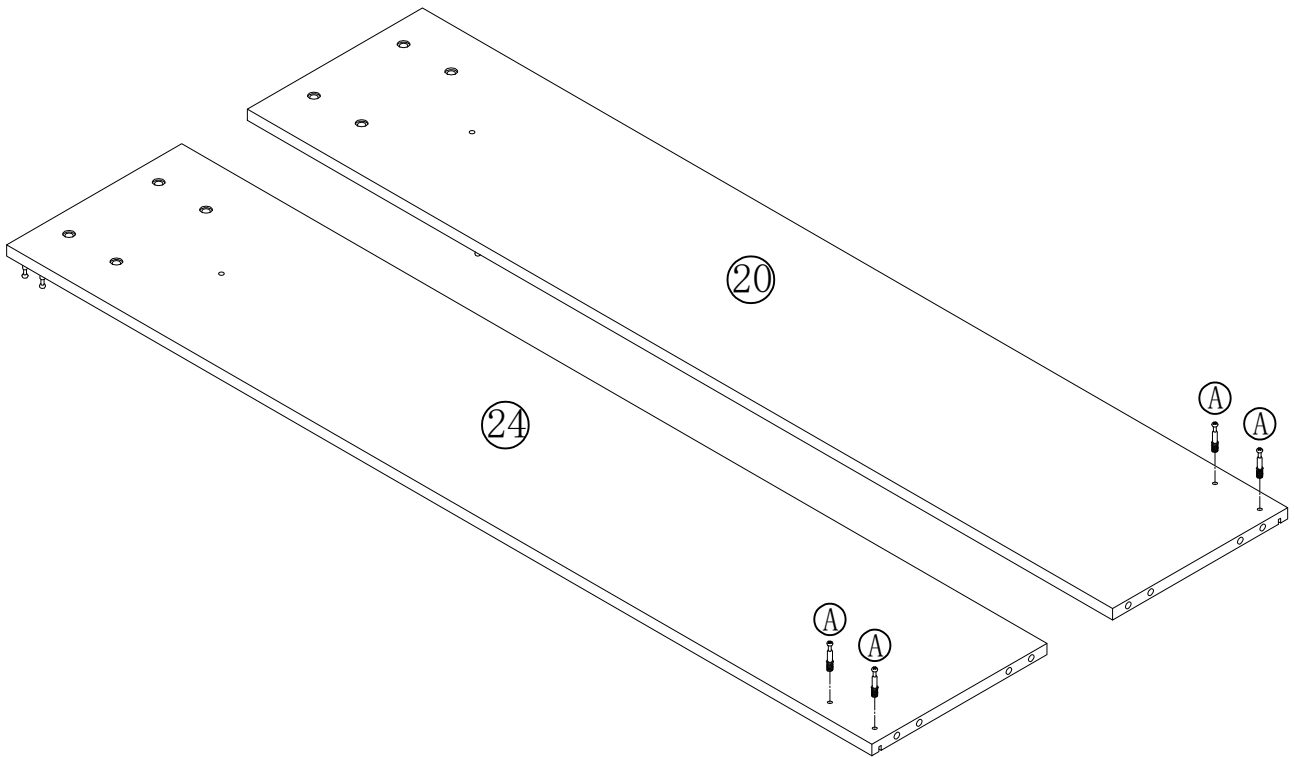


# Step/Étape 18

A



4



# Step/Étape 19

16



1

B



4

18

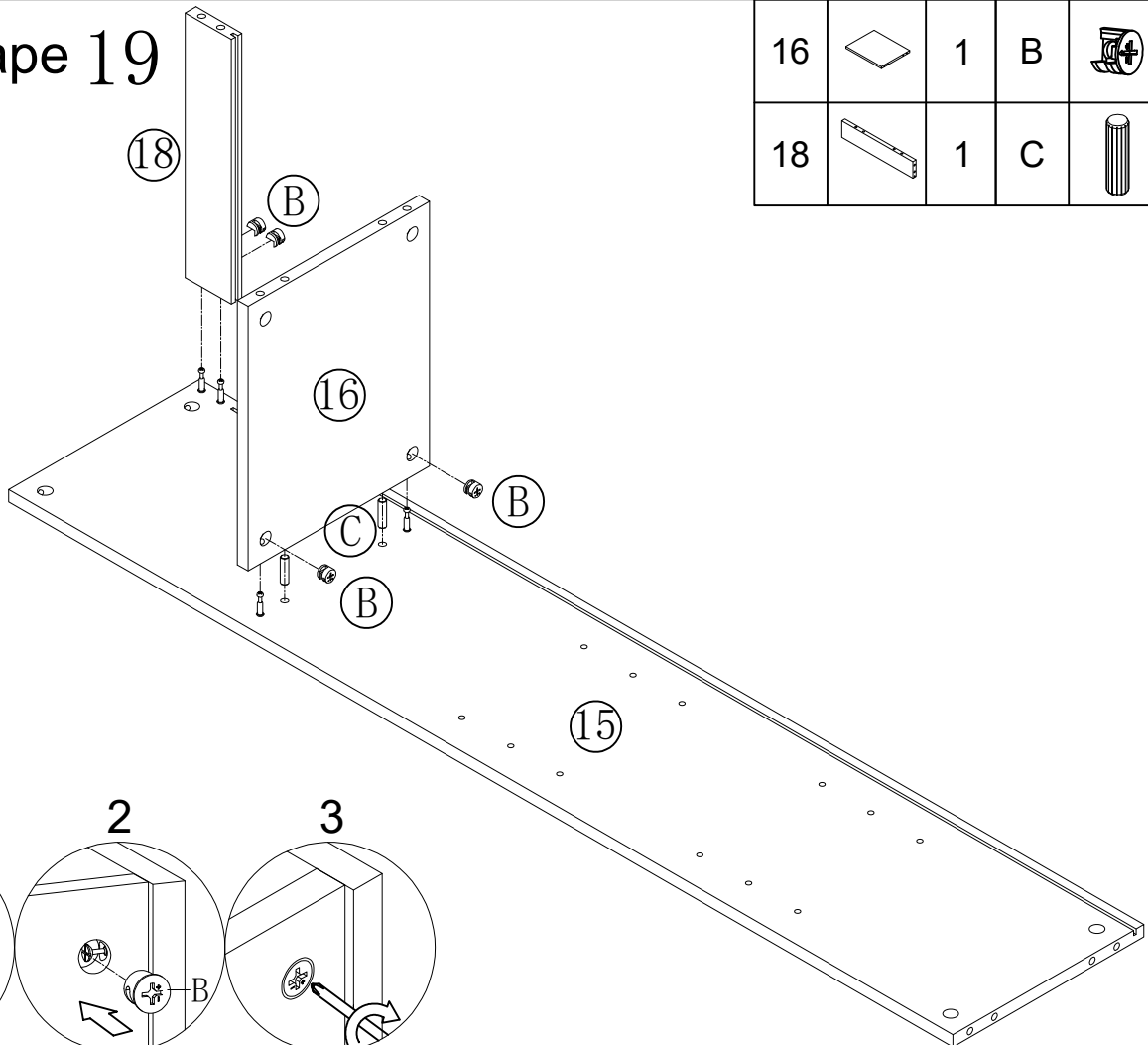


1

C



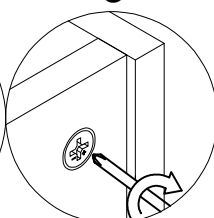
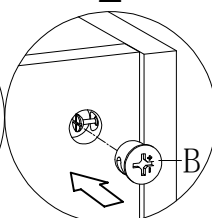
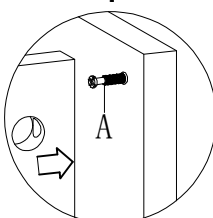
2





1

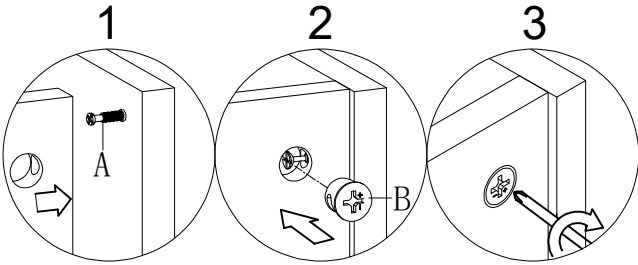
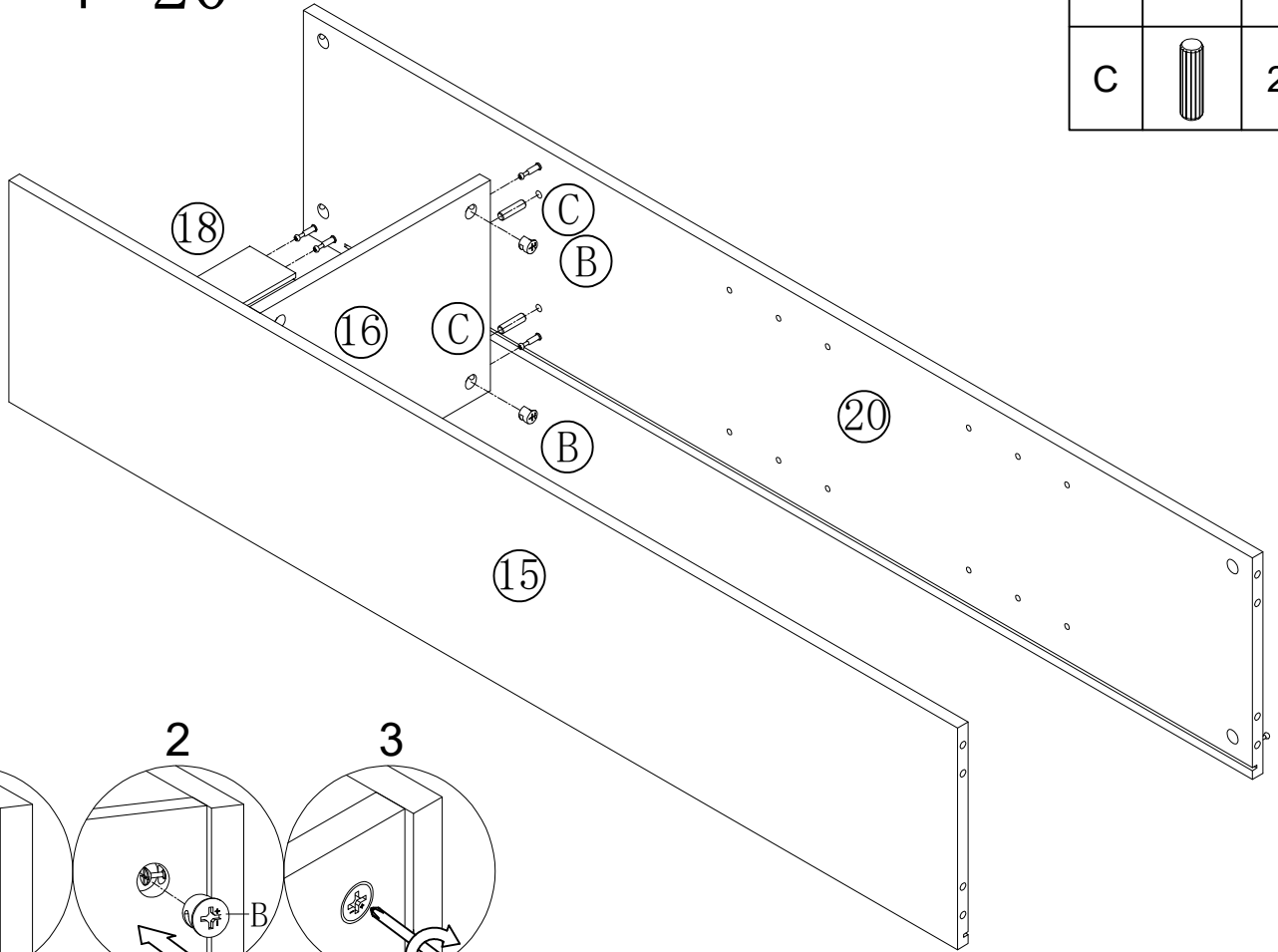
2

3

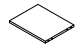

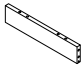



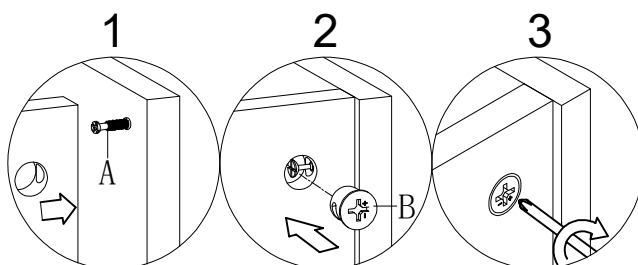
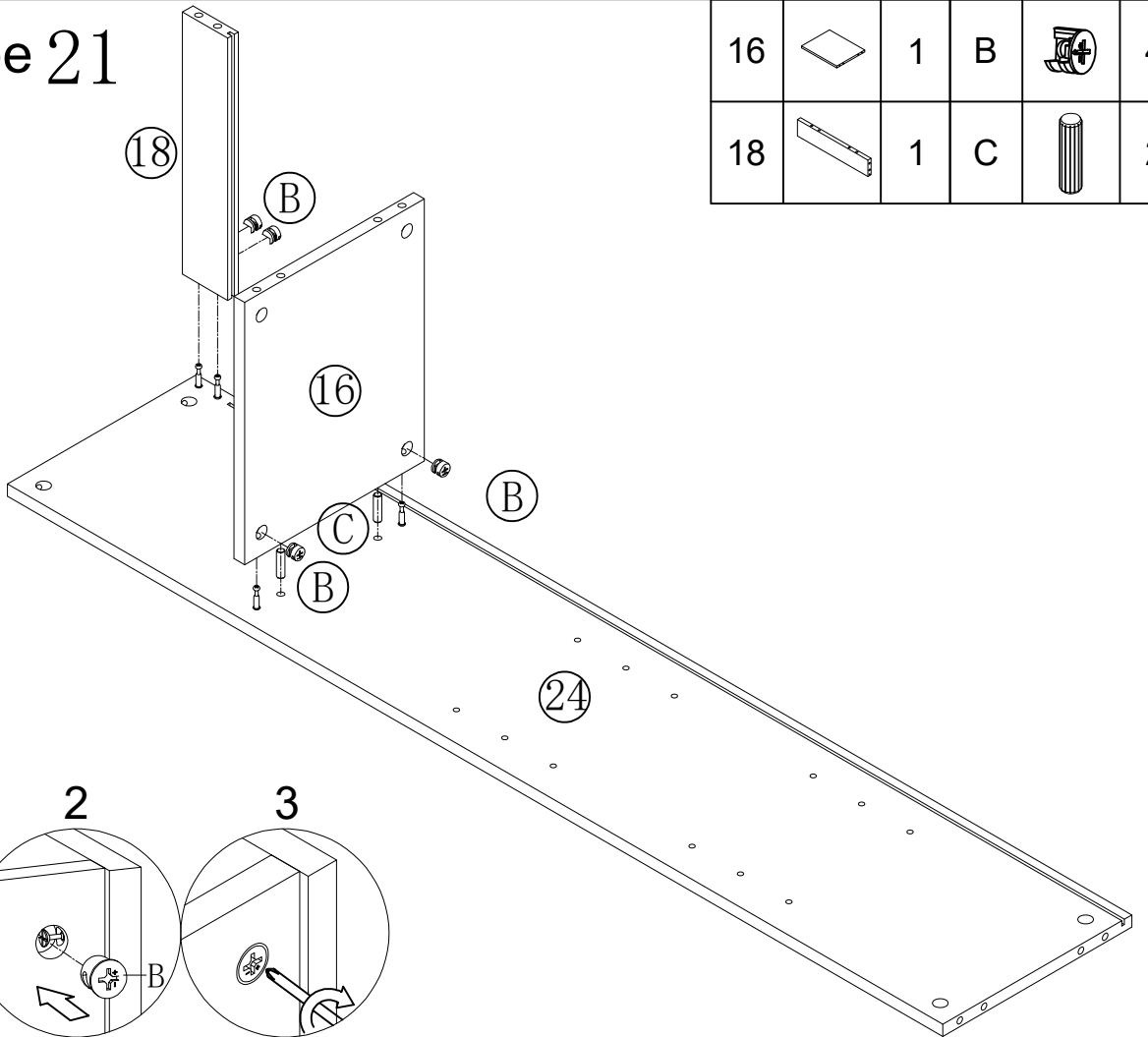
# Step/Étape 20

B		2
C		2





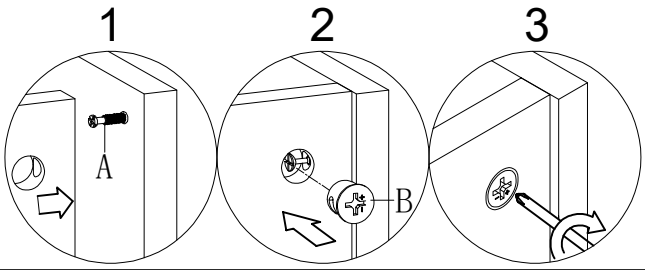
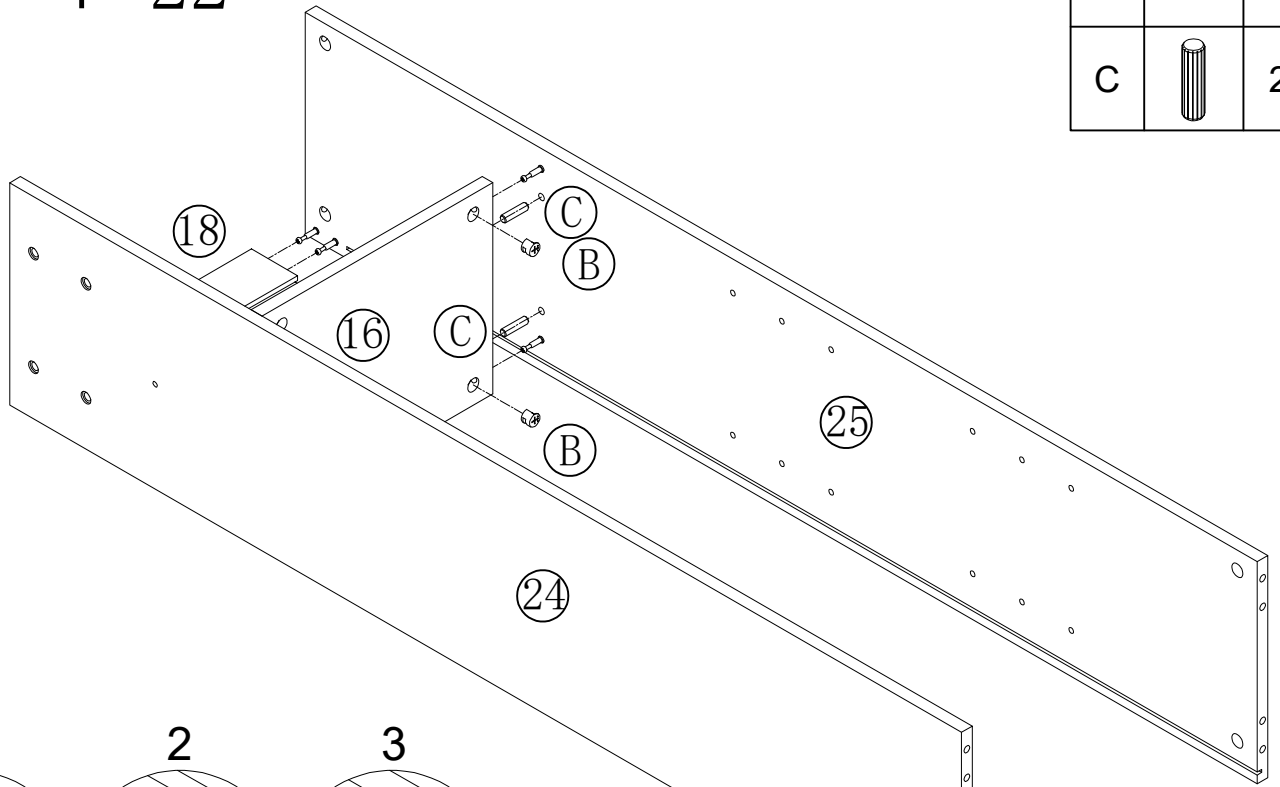
# Step/Étape 21

16		1	B		4
18		1	C		2


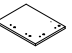



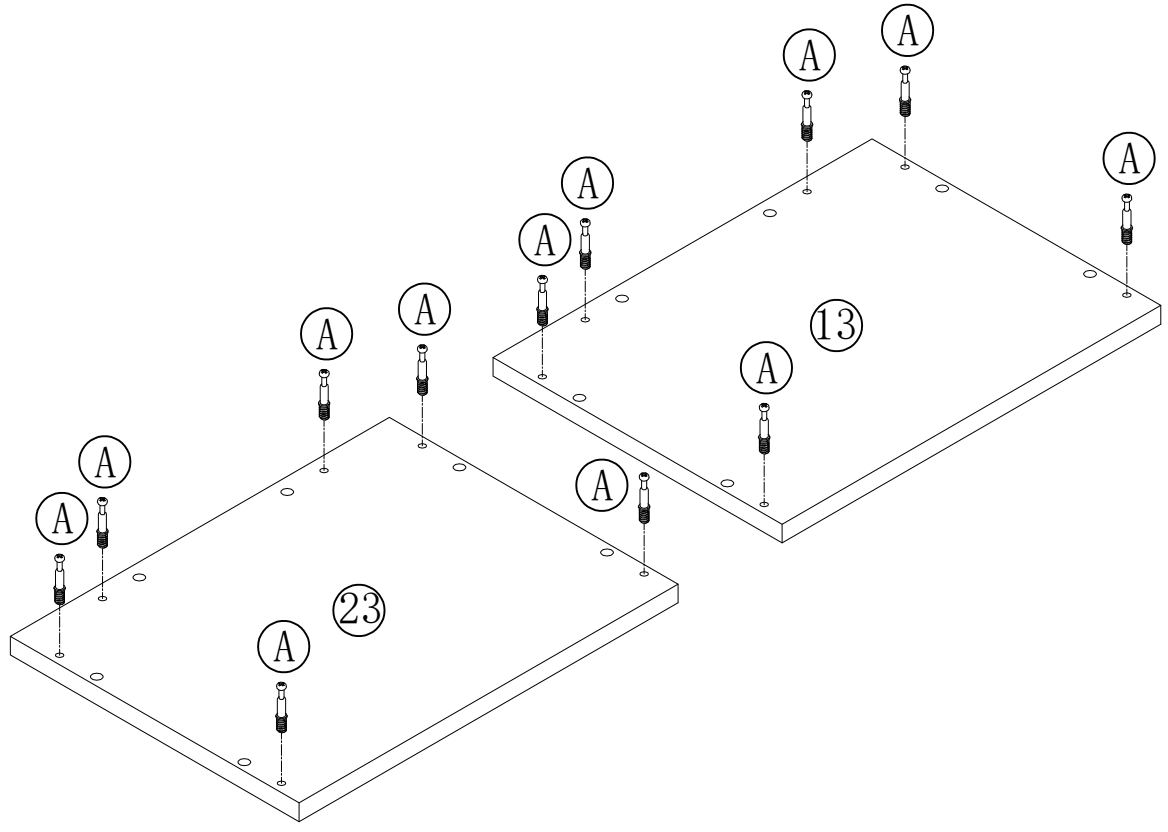
# Step/Étape 22

B		2
C		2





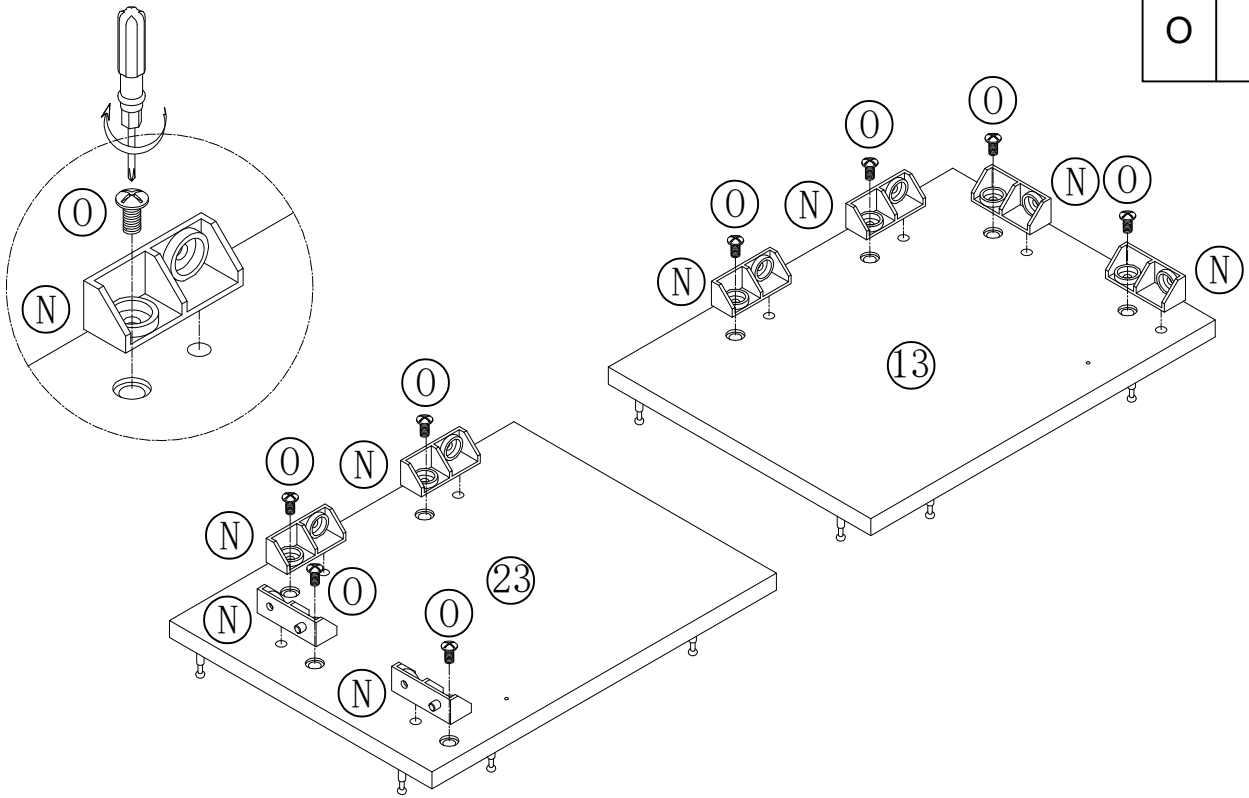
# Step/Étape 23

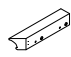
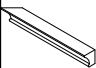
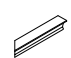
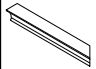

13		1
23		1
A		12

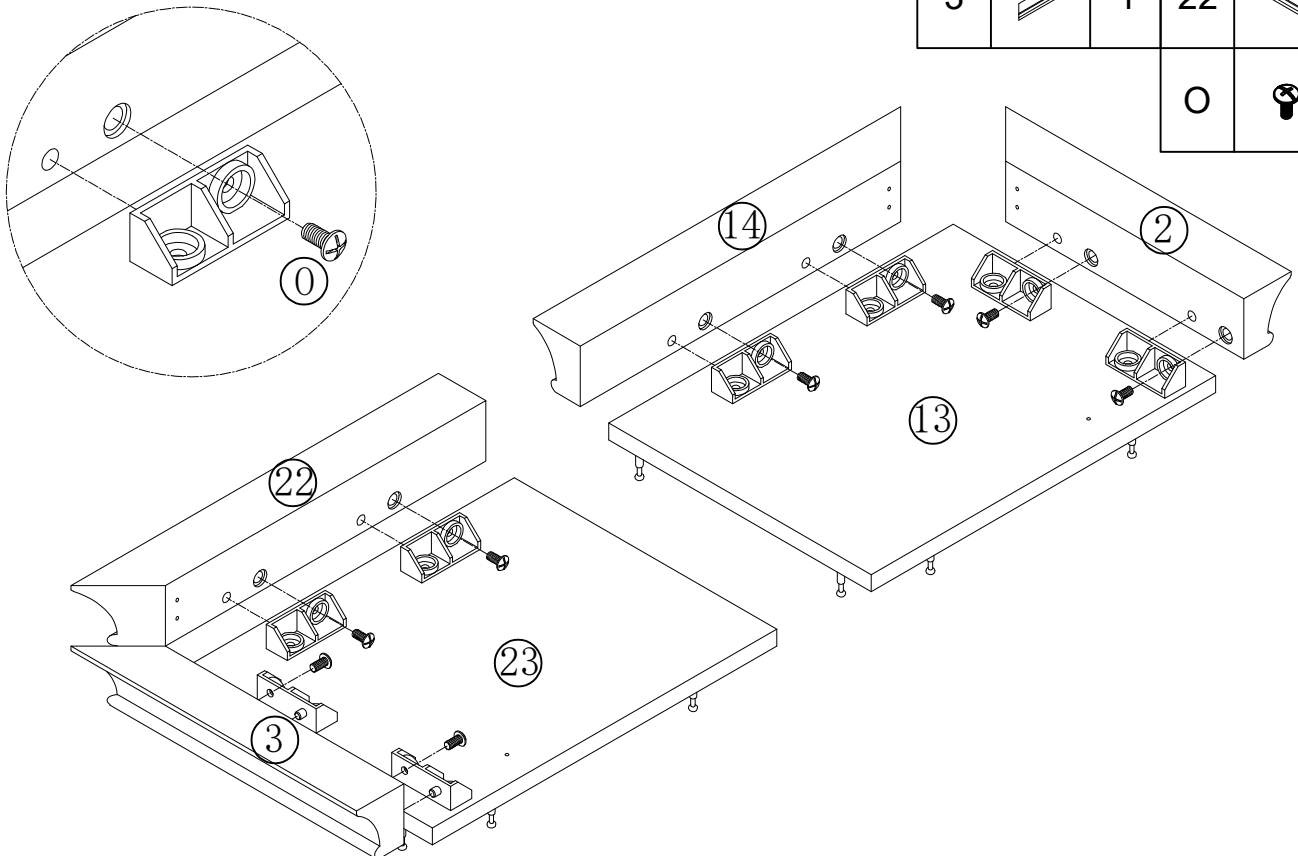


# Step/Étape 24



N		8
O		8

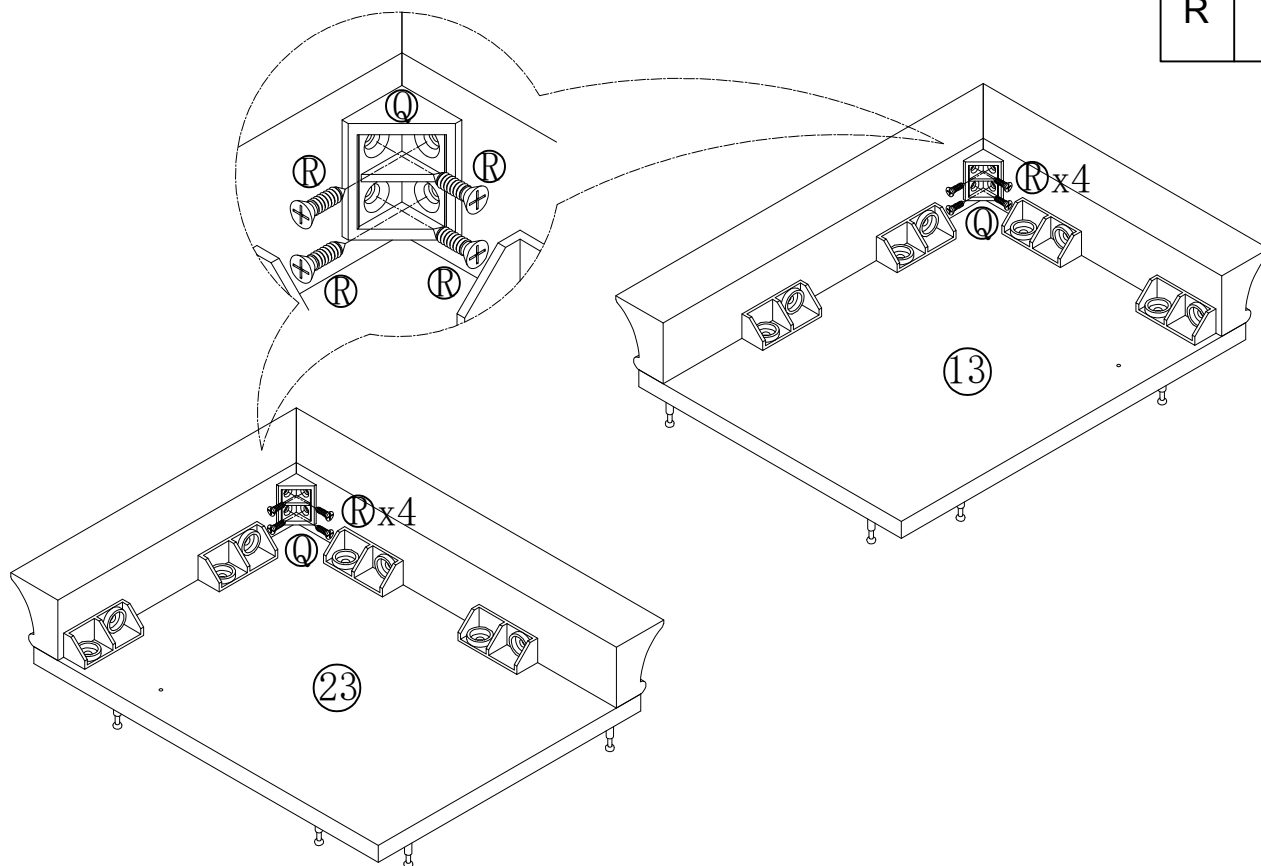



2		1	14		1
3		1	22		1
		O			8

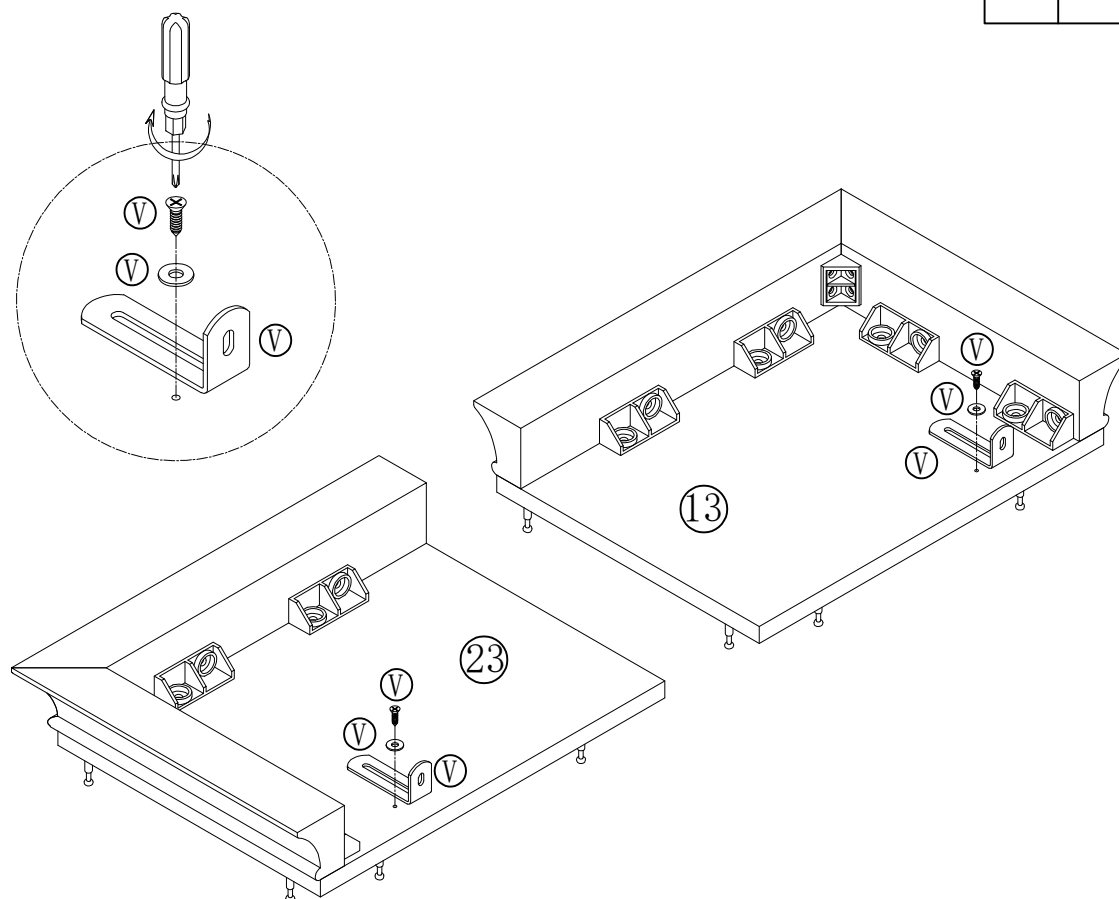


# Step/Étape 25


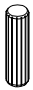
Q		2
R		8

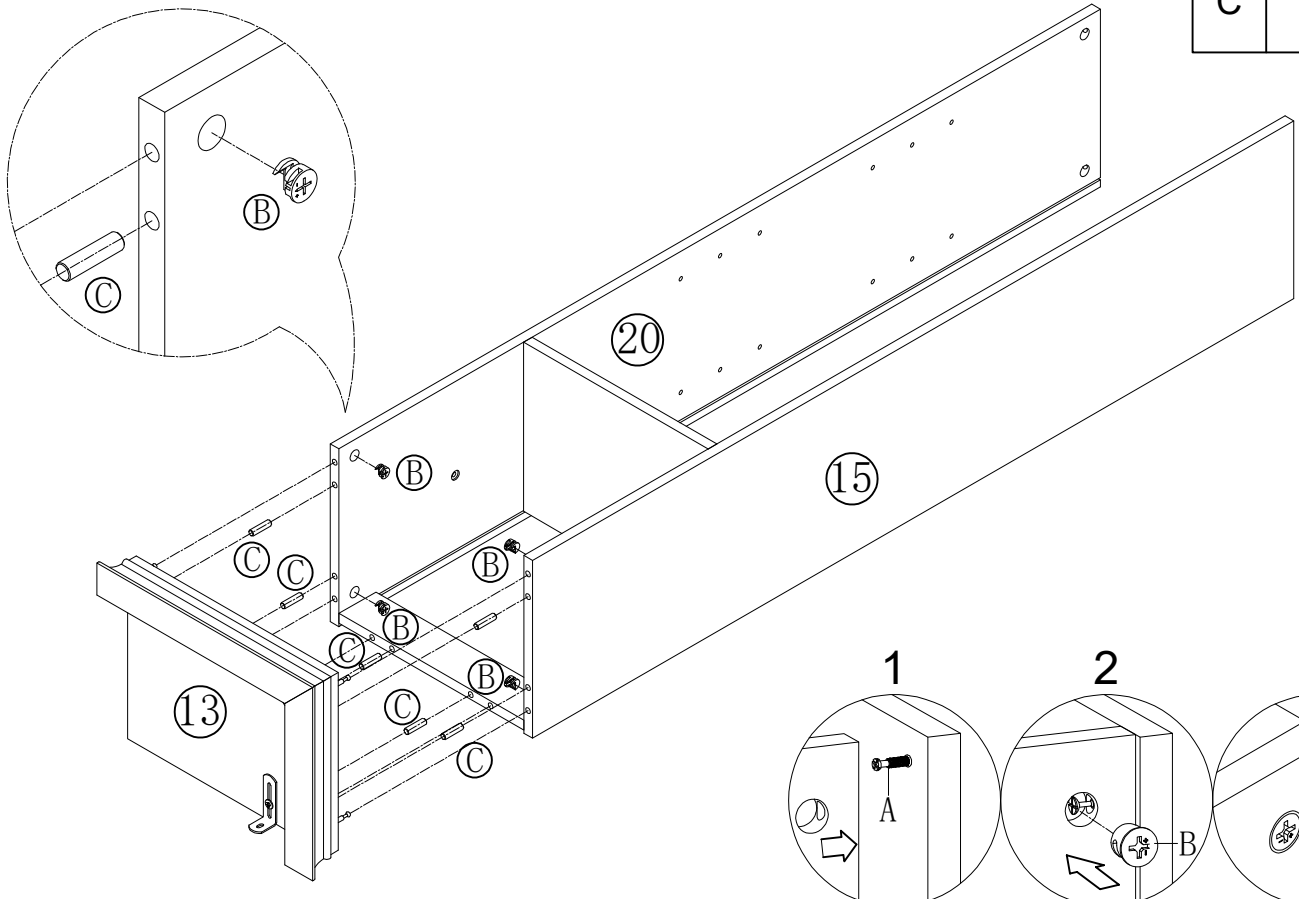



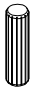
V		2
---	---	---

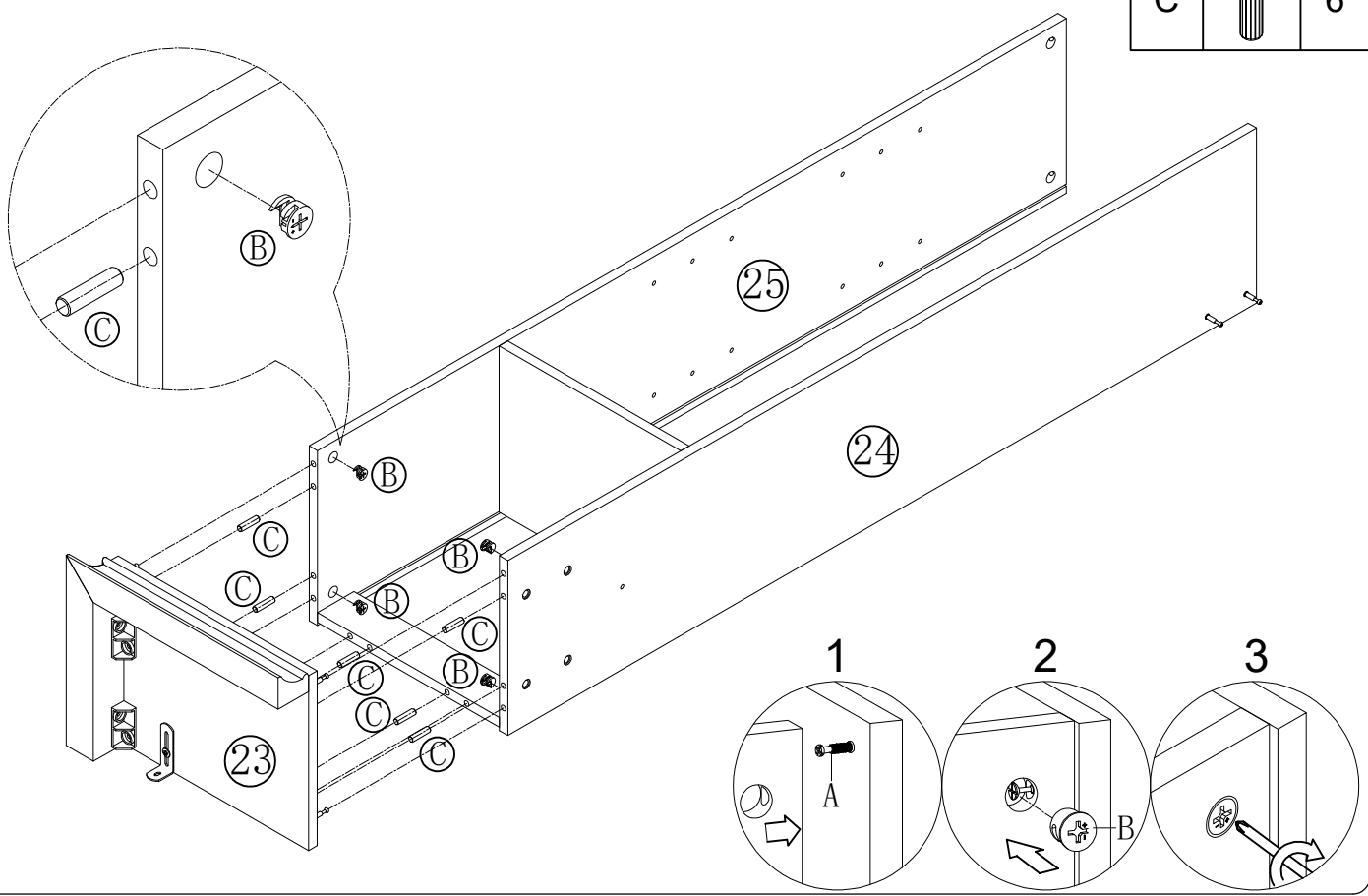


# Step/Étape 26

B		4
C		6



B		4
C		6

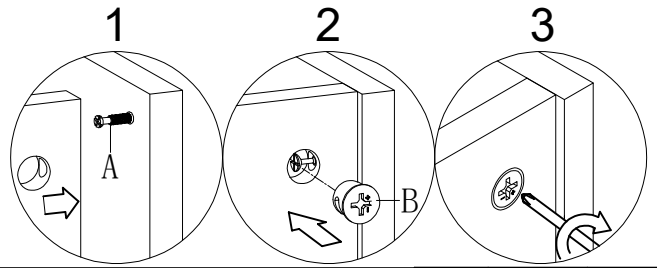
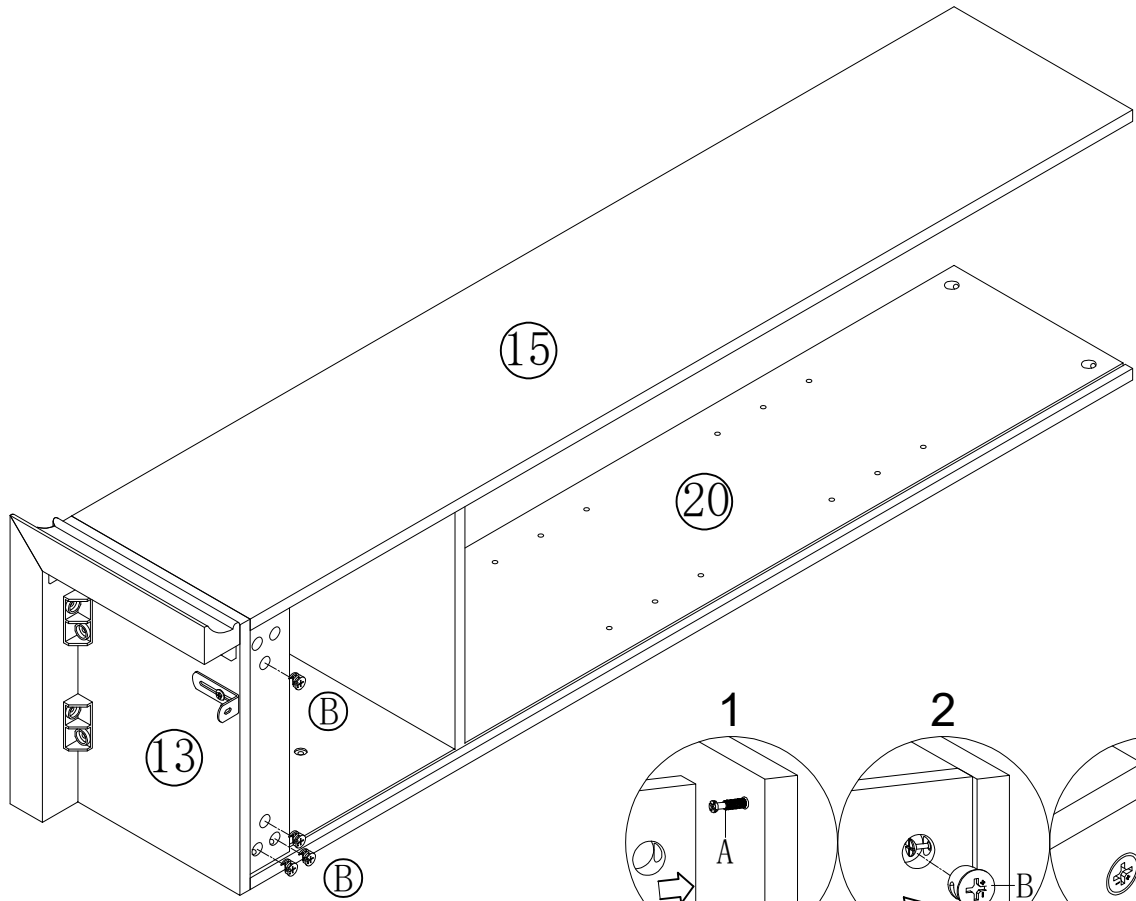


# Step/Étape 27

B



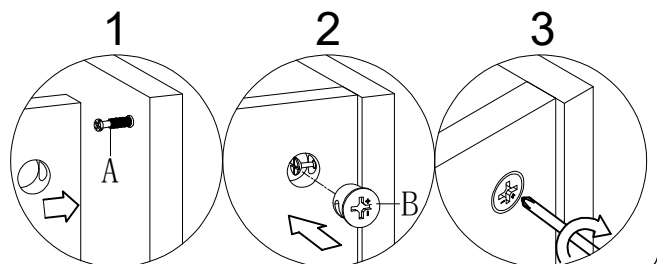
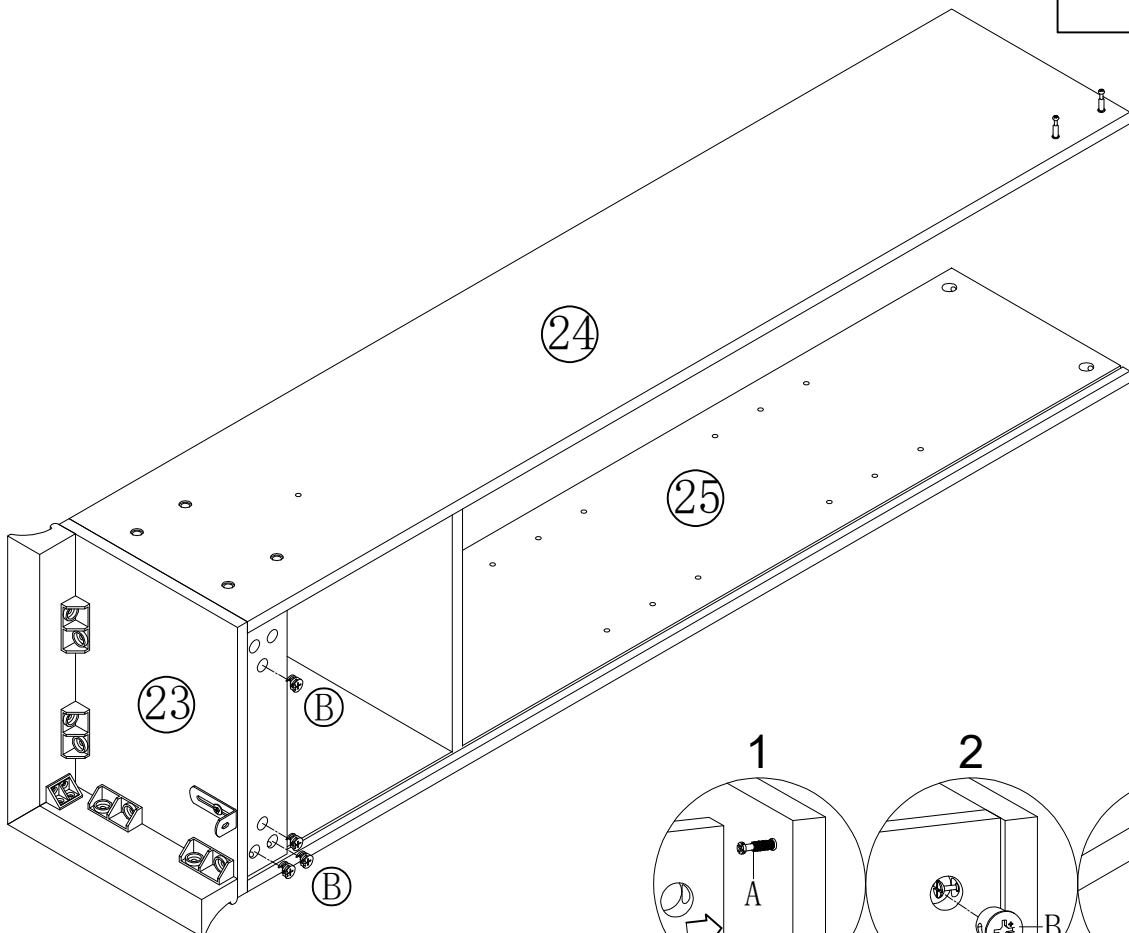
4



B

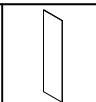


4

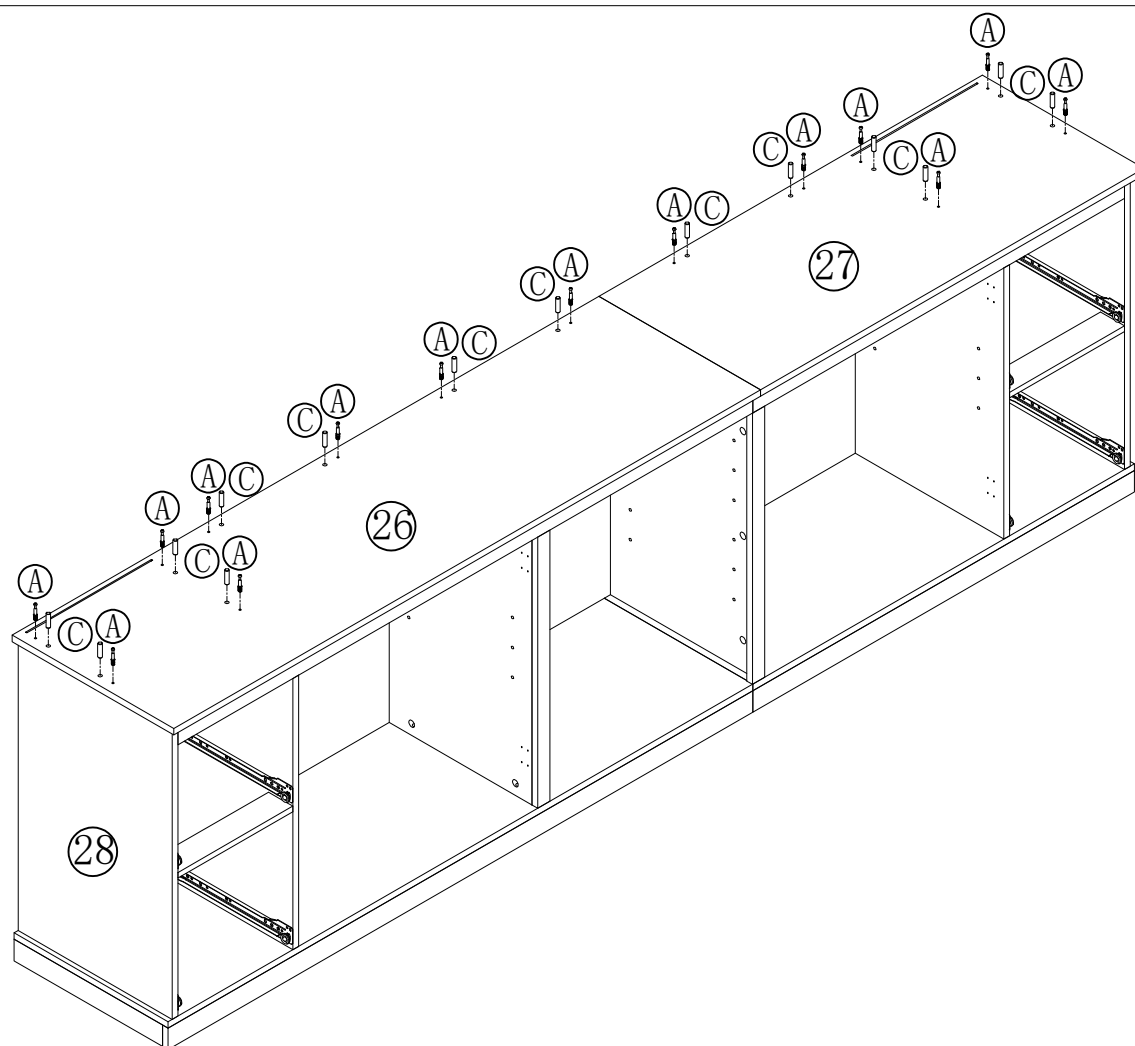
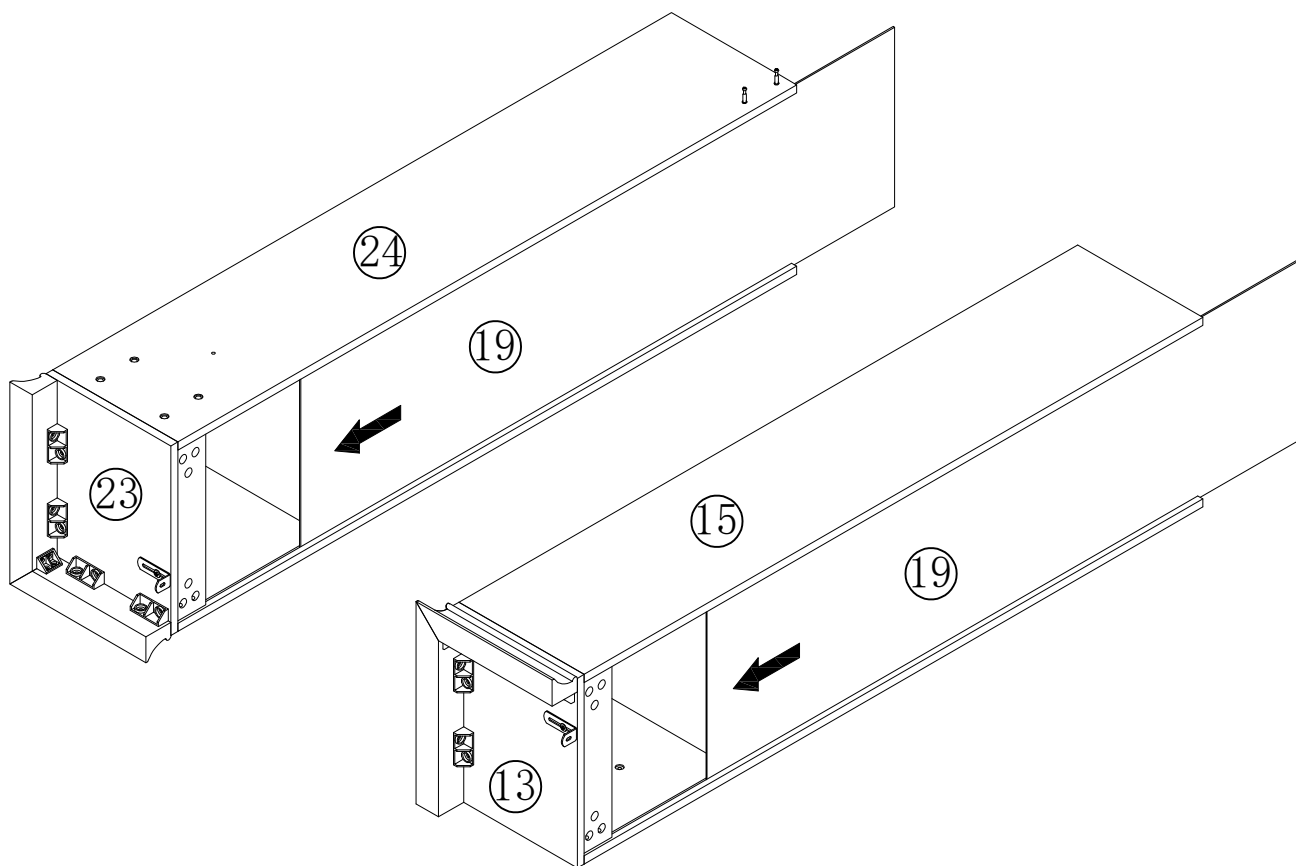


# Step/Étape 28

19



2



A



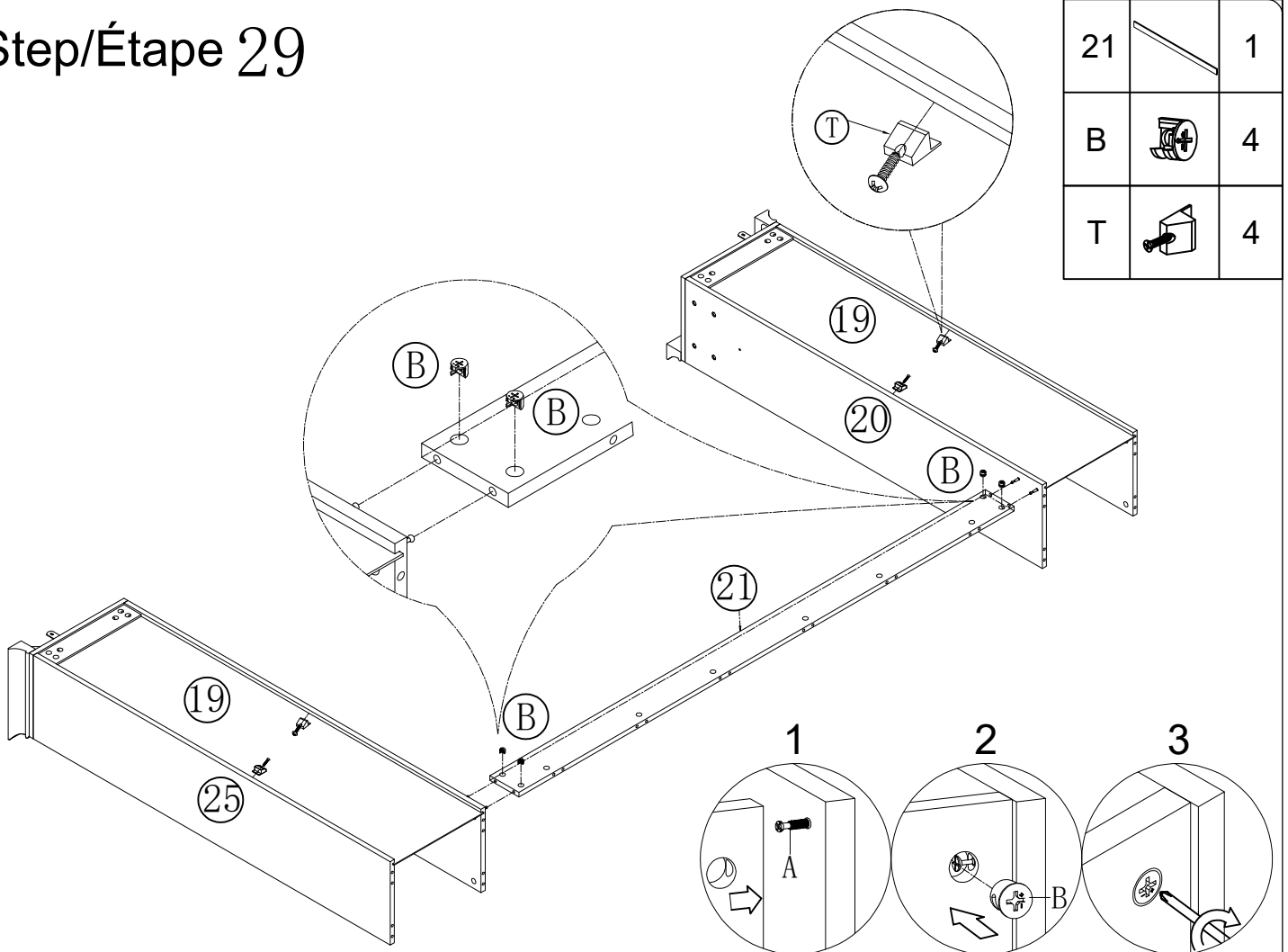
14

C



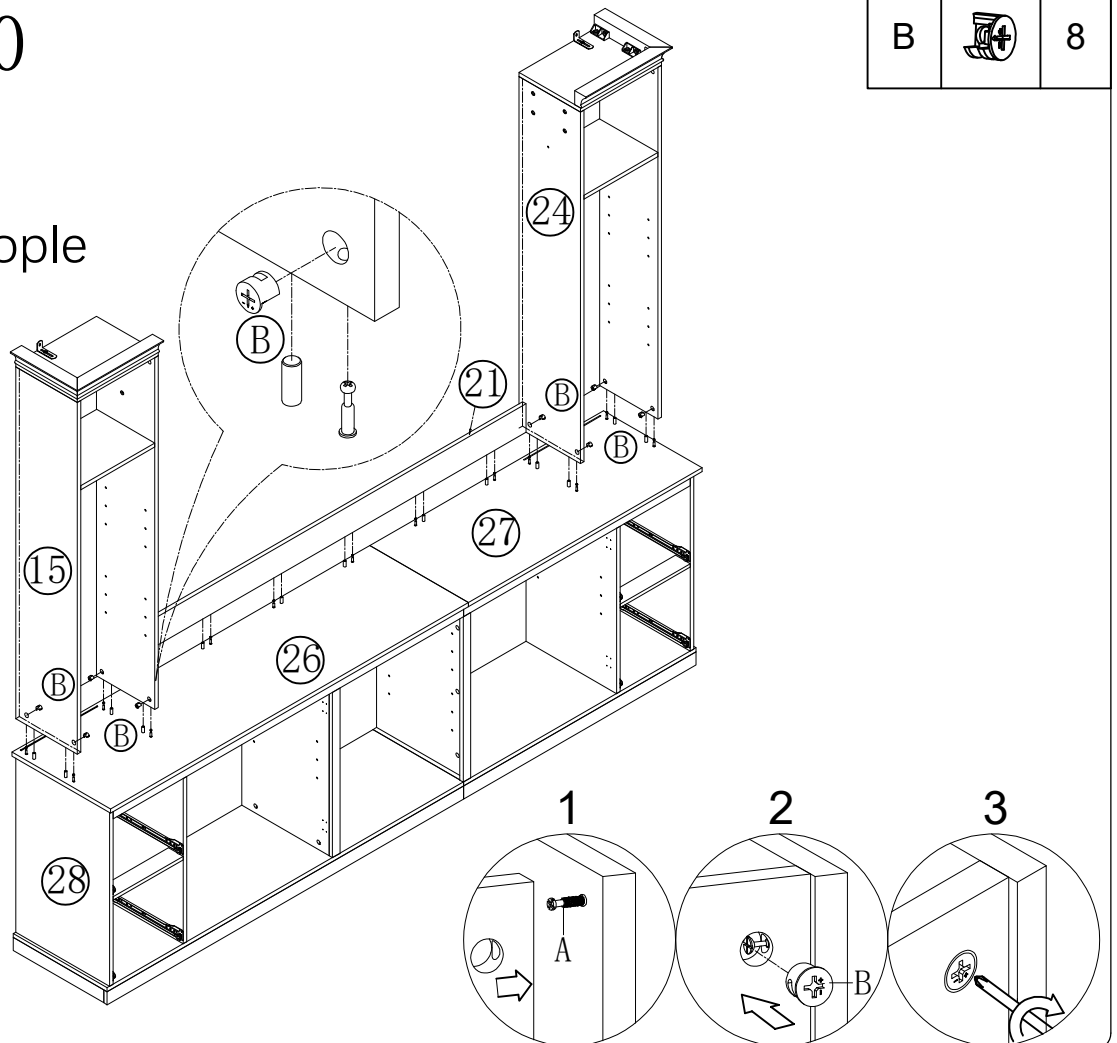
14

# Step/Étape 29



# Step/Étape 30

Be careful!  
At least 2 people are required.

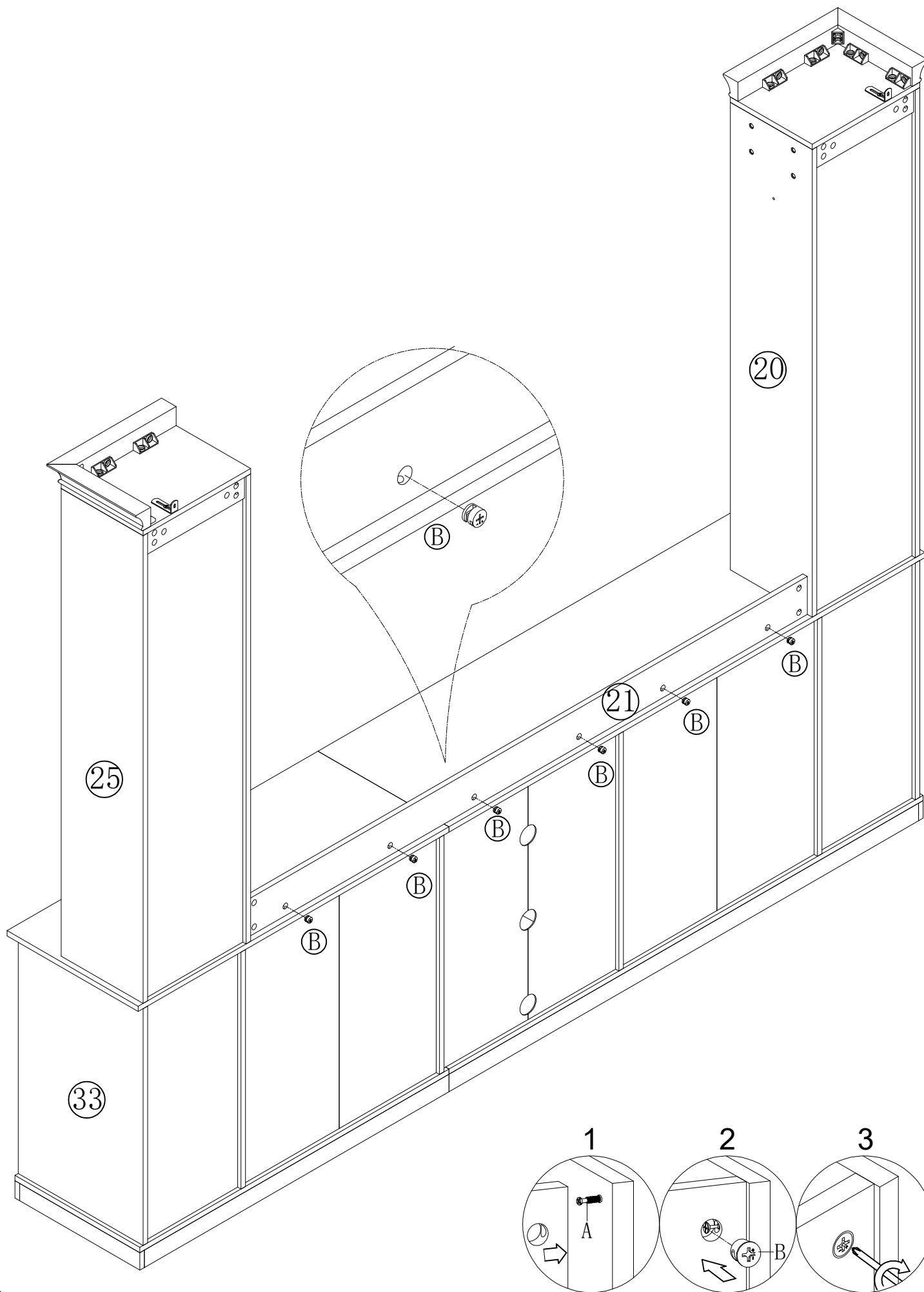


# Step/Étape 31




B

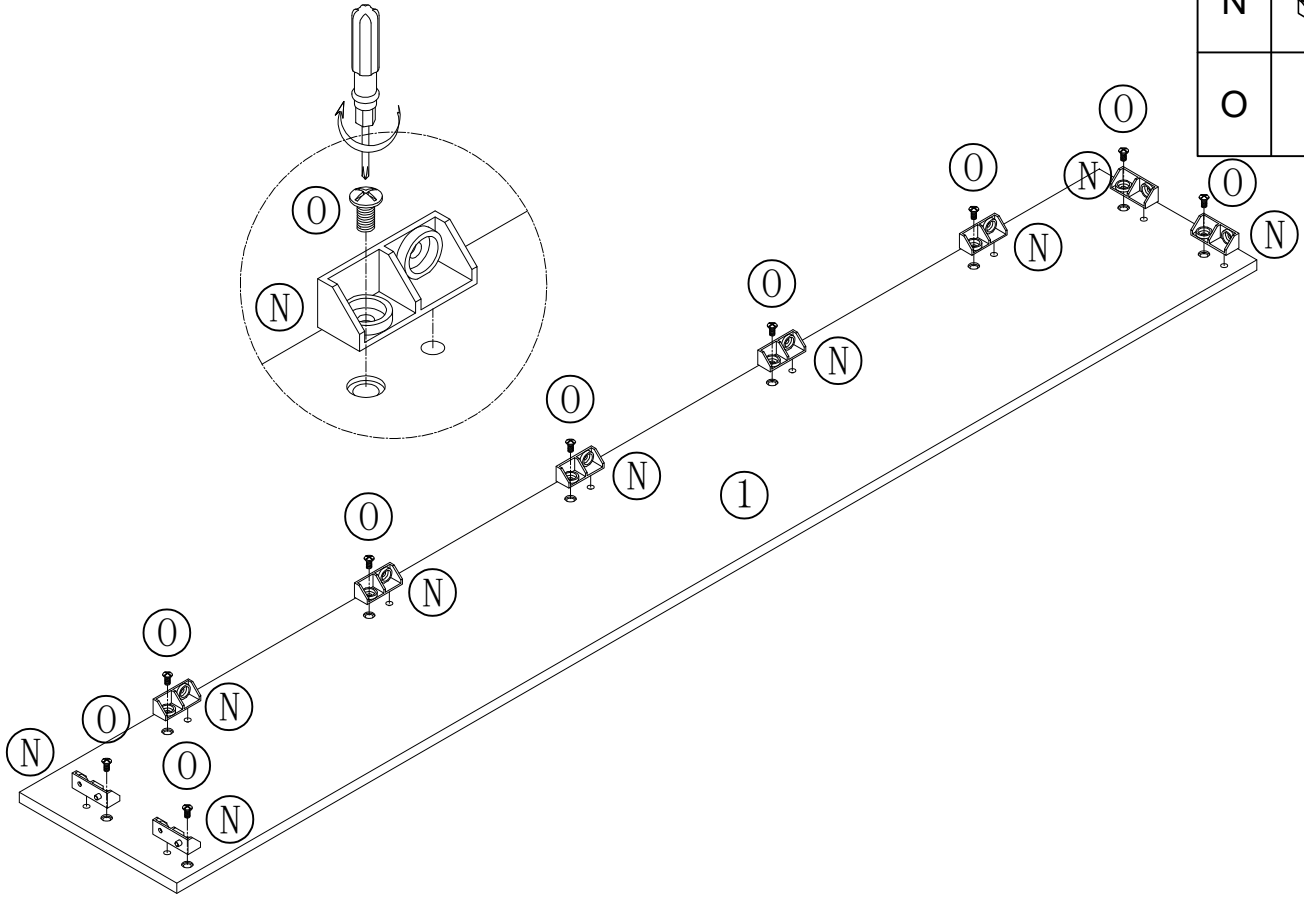


6





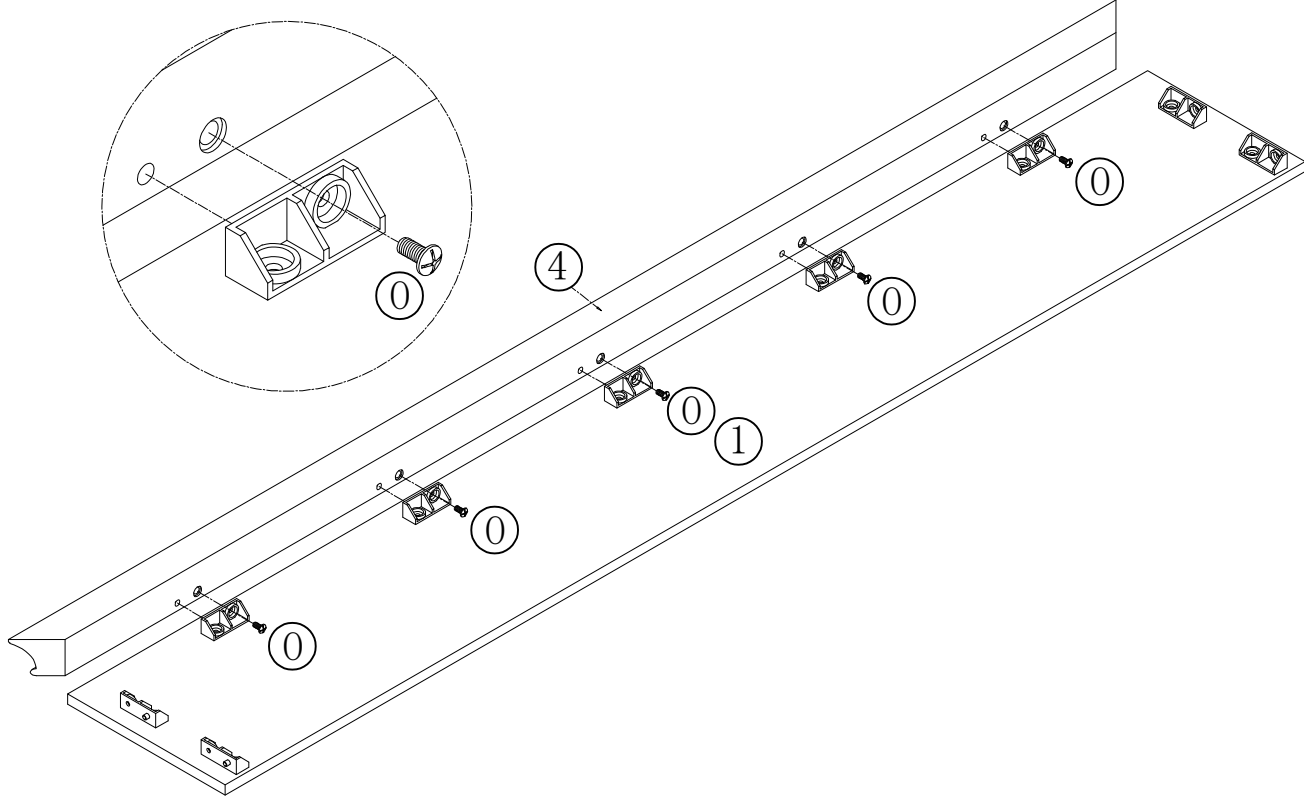
# Step/Étape 32

1		1
N		9
O		9






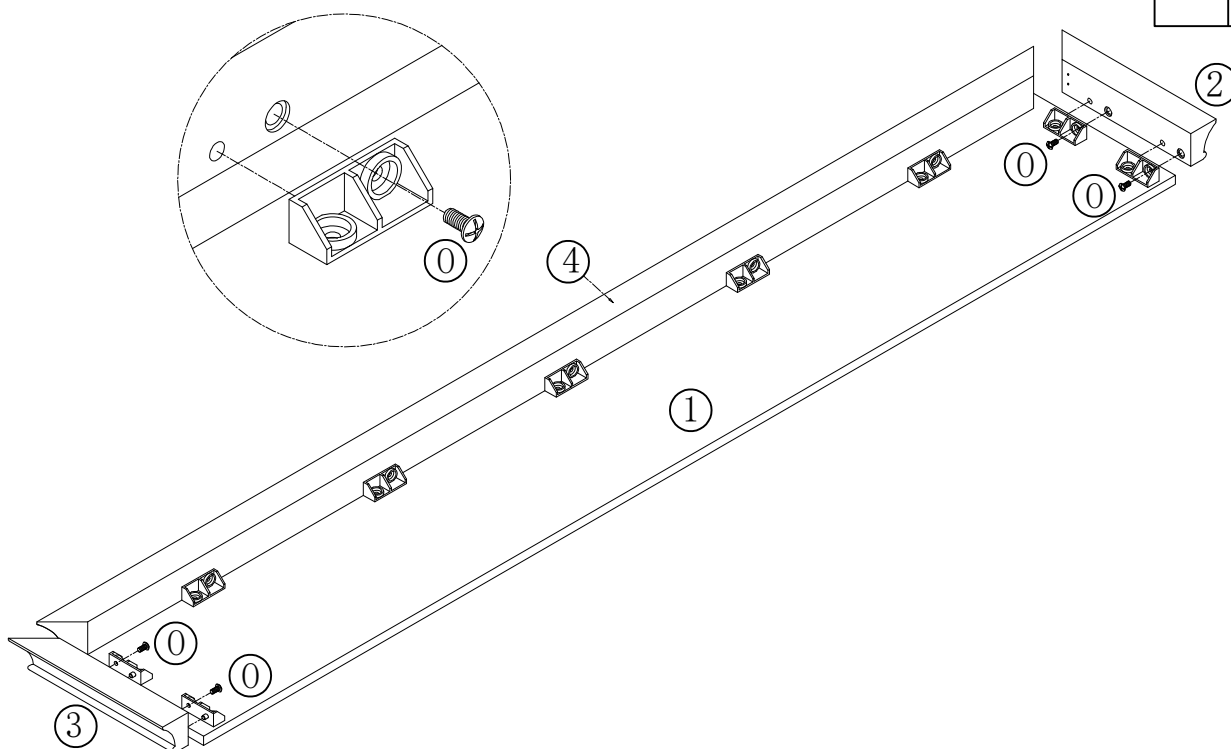
# Step/Étape 33

4		1
O		5





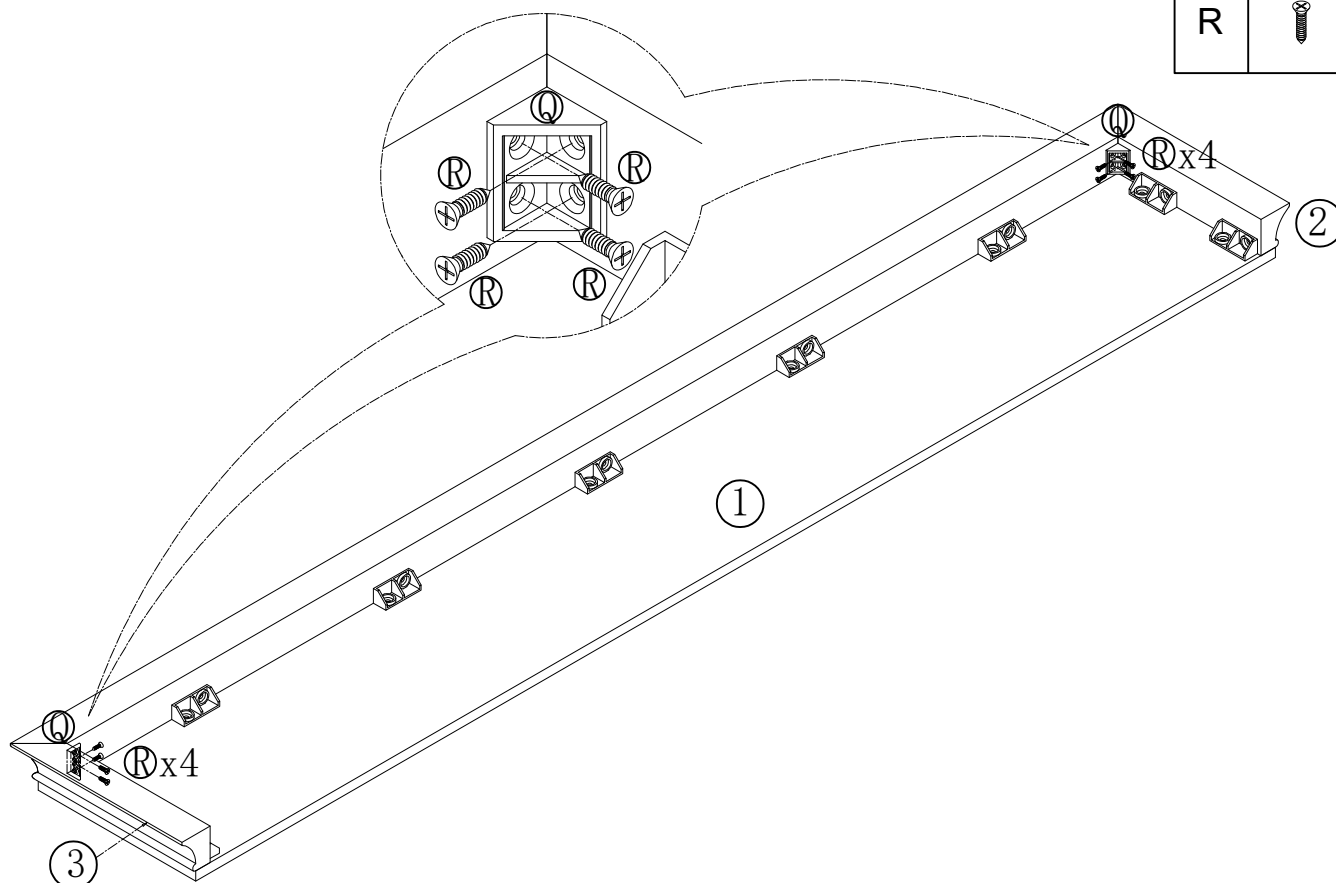
# Step/Étape 34

2		1
3		1
0		4





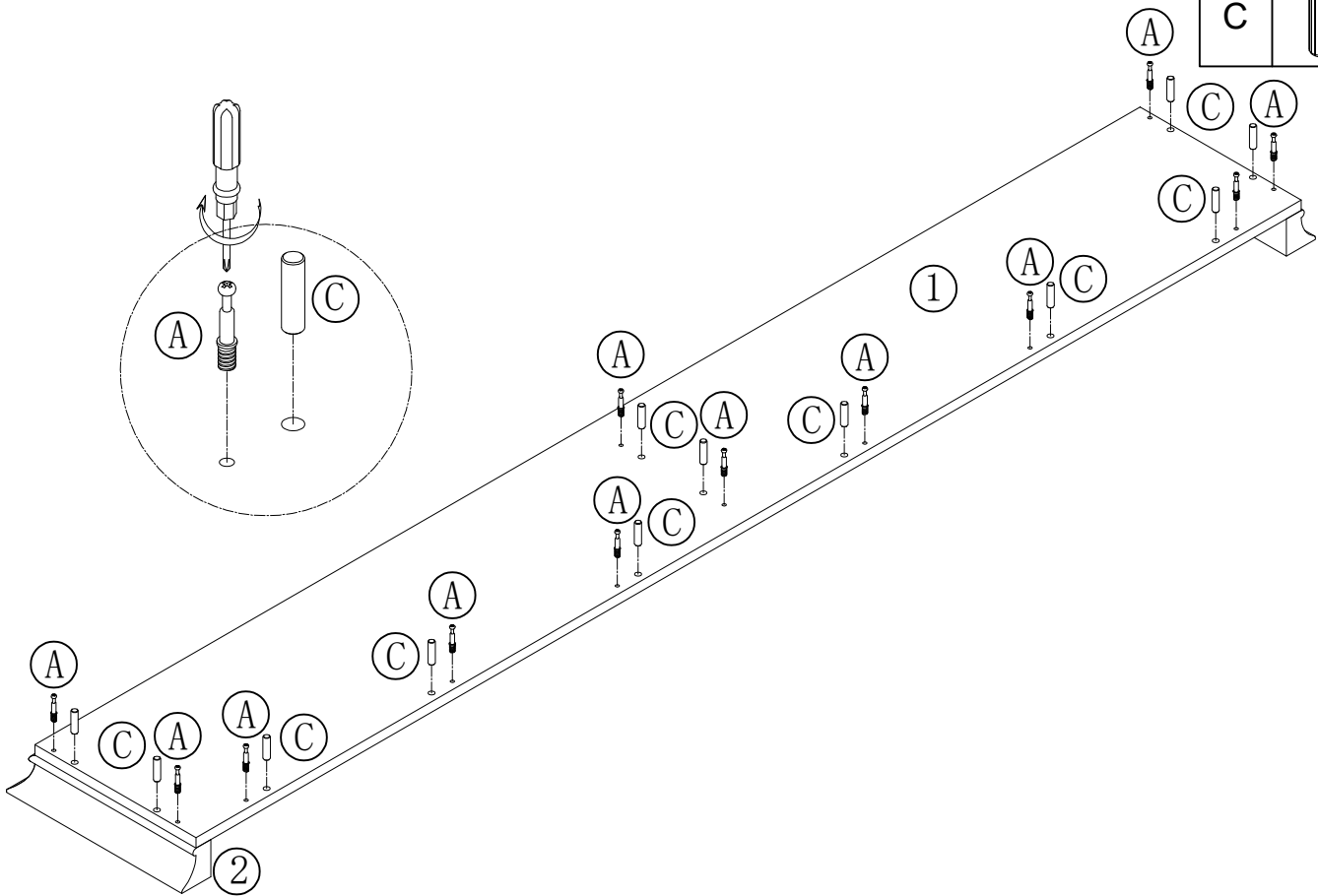
# Step/Étape 35

Q		2
R		8

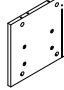
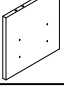



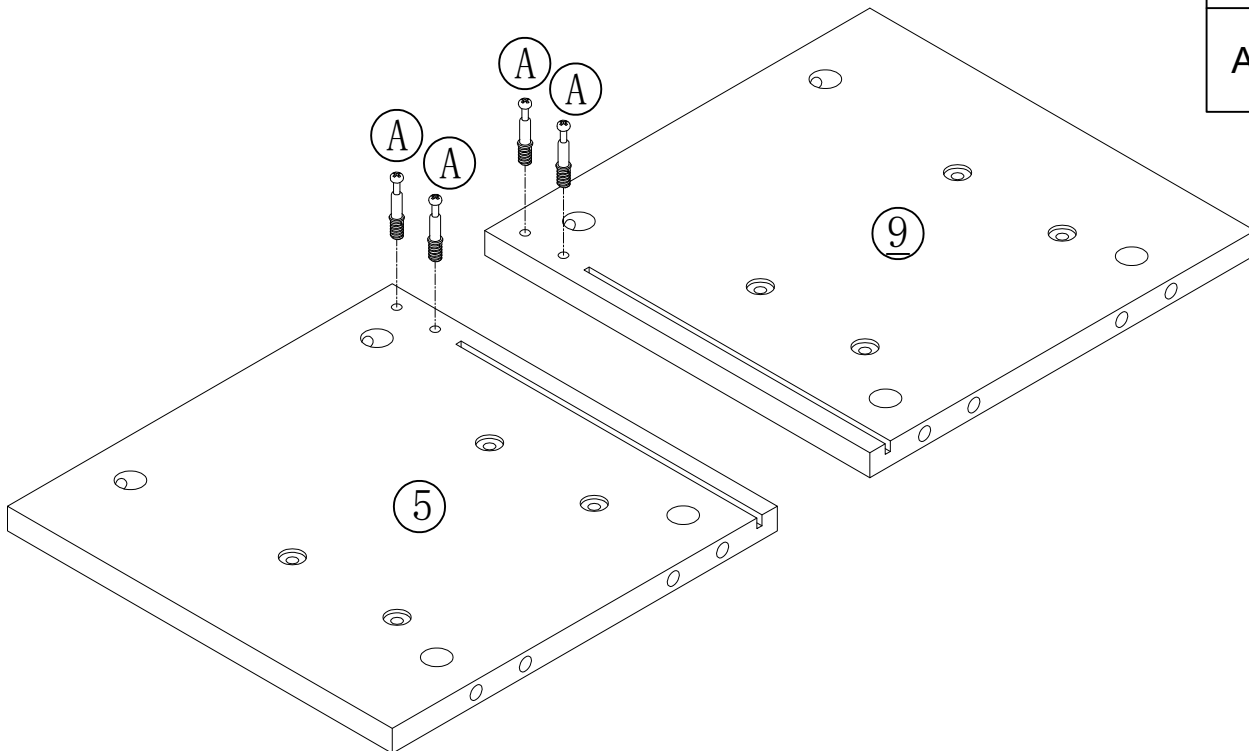
# Step/Étape 36

A		12
C		12

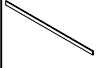



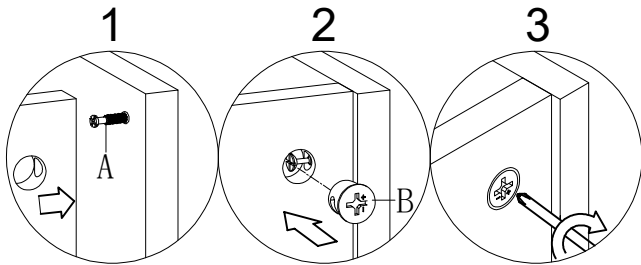
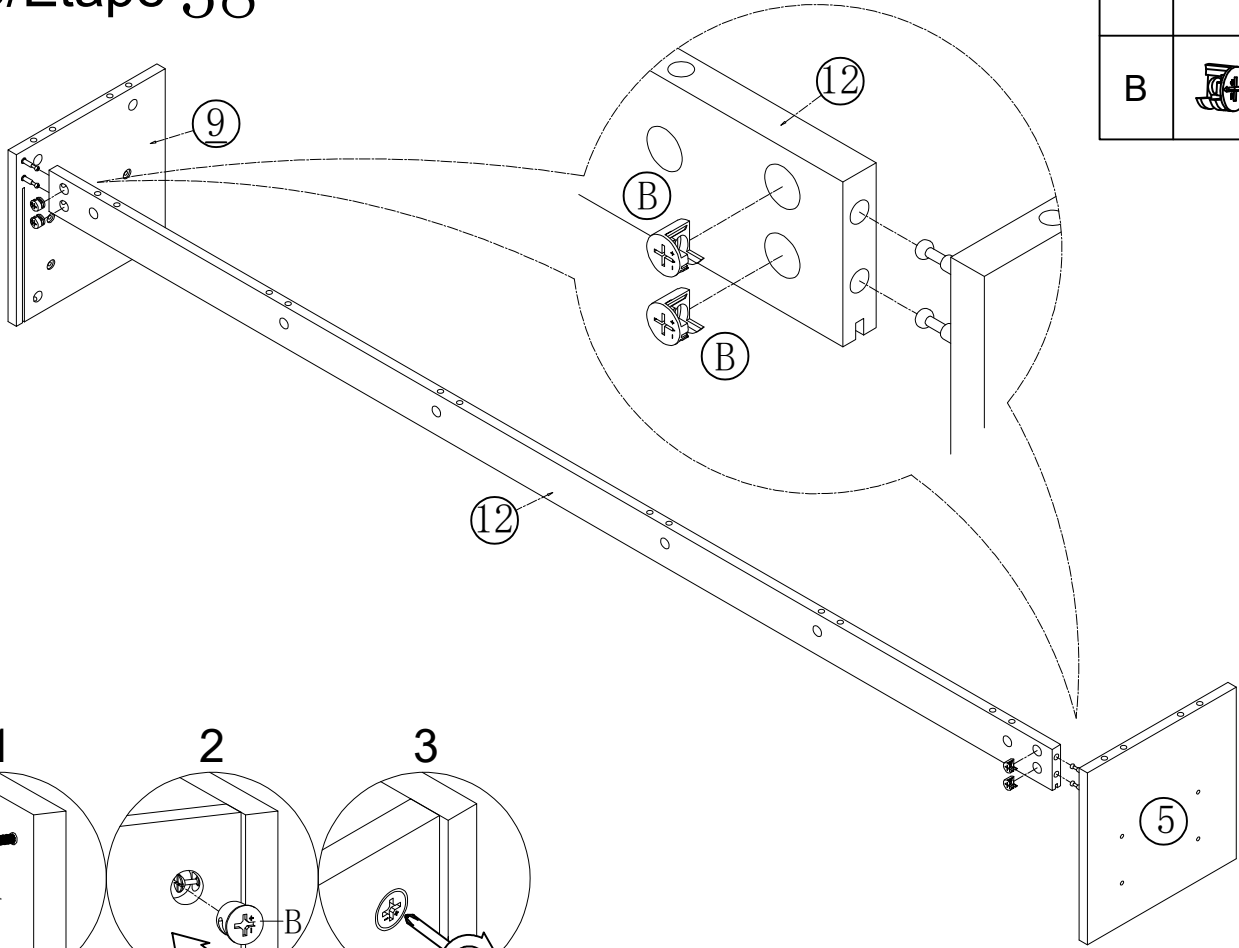
# Step/Étape 37

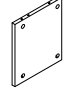

5		1
9		1
A		4

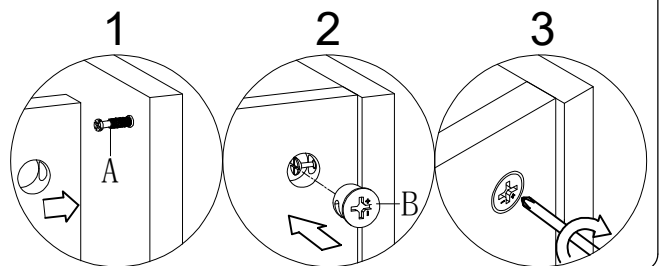
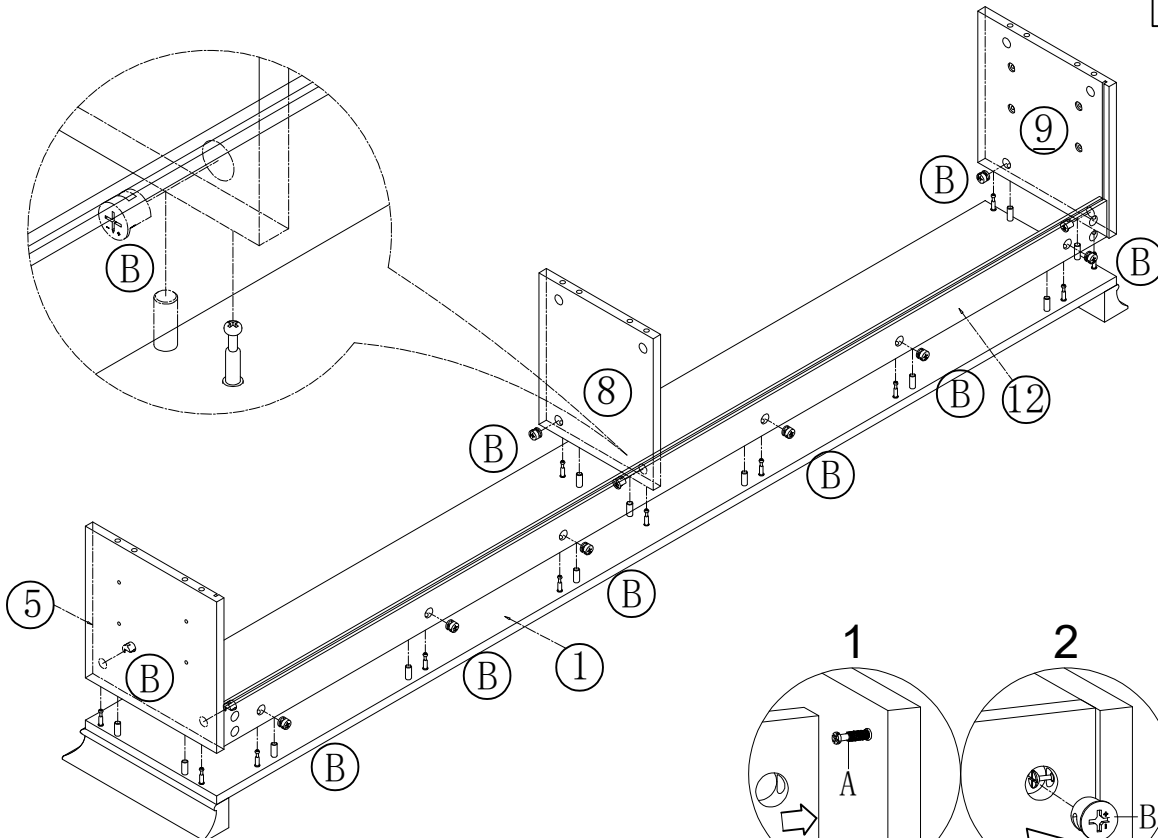


# Step/Étape 38

12		1
B		4

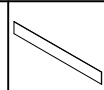


8		1
B		12

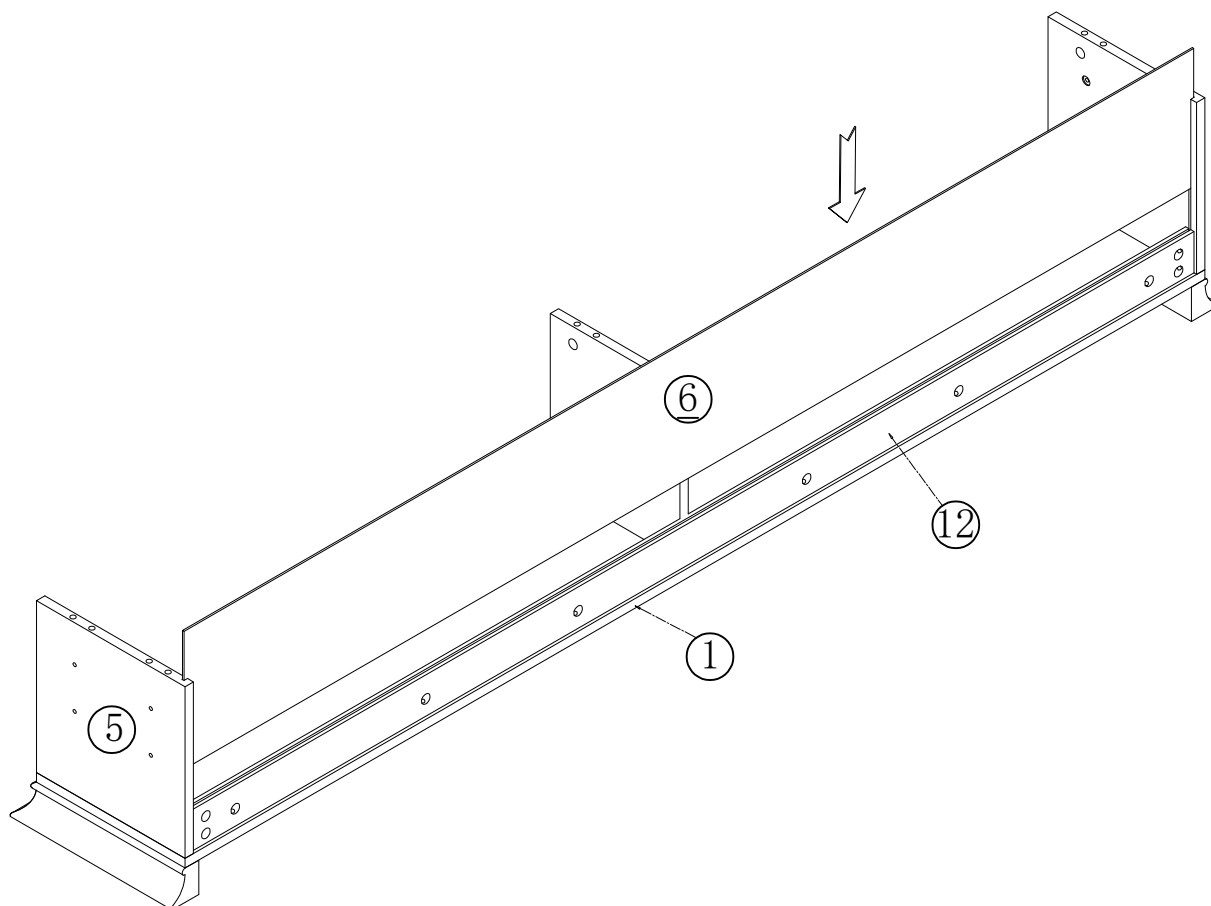


# Step/Étape 39

6

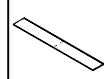


1



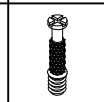
# Step/Étape 40

7

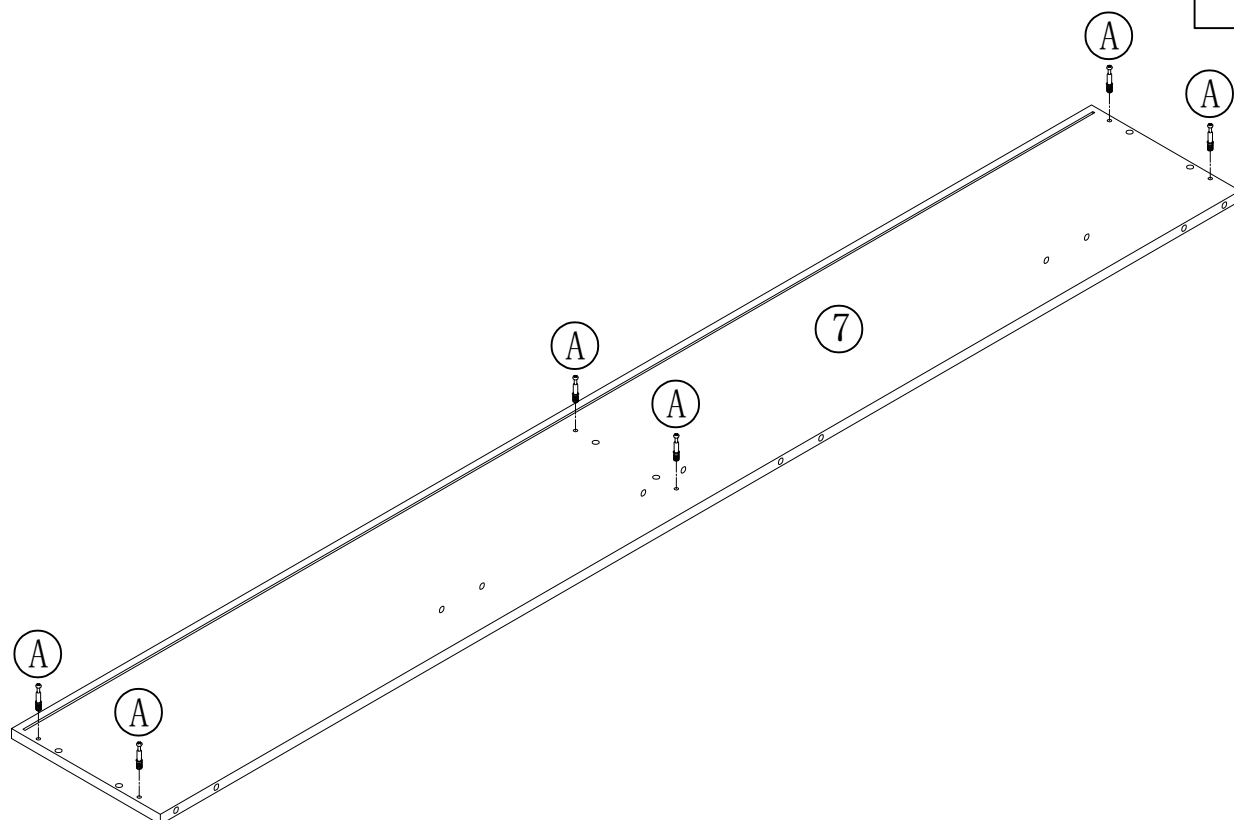


1



A

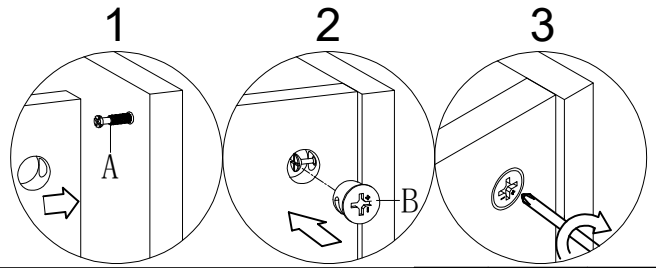
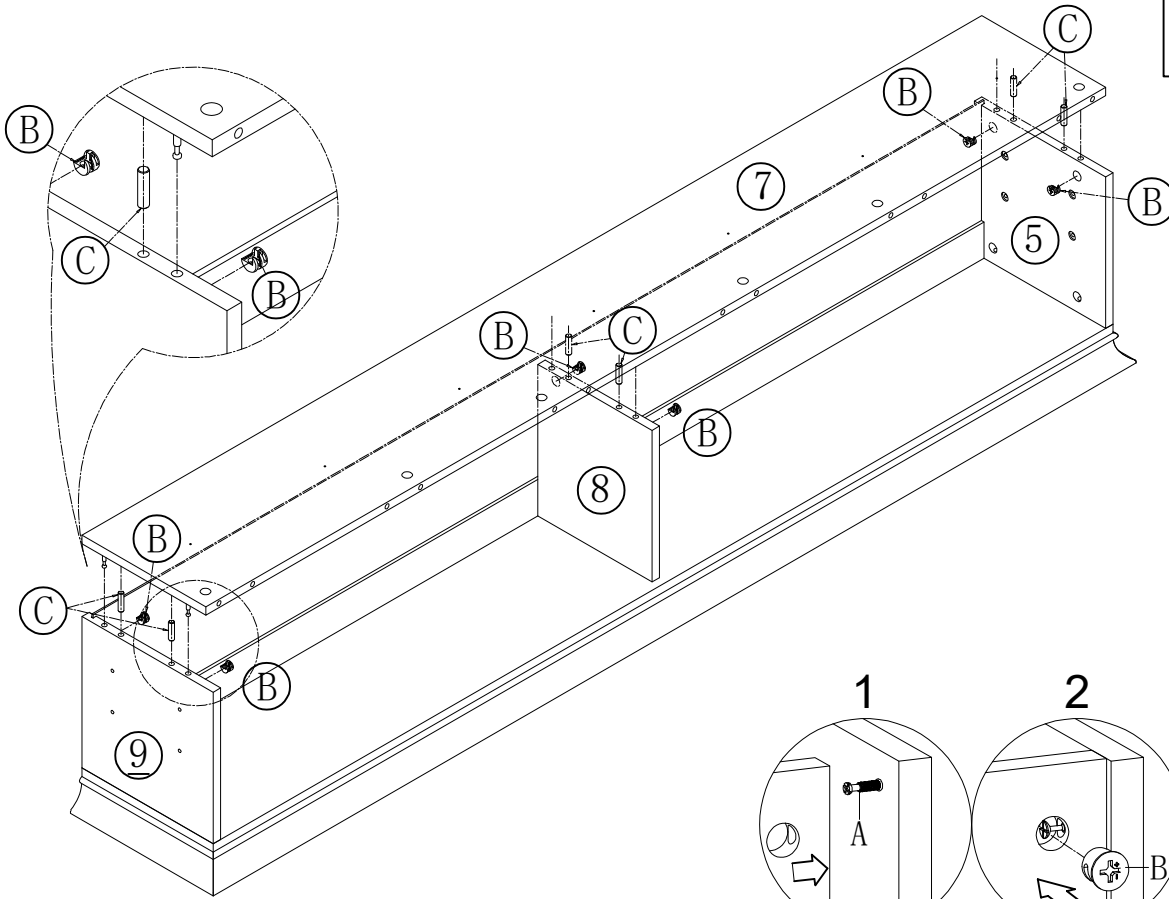




6

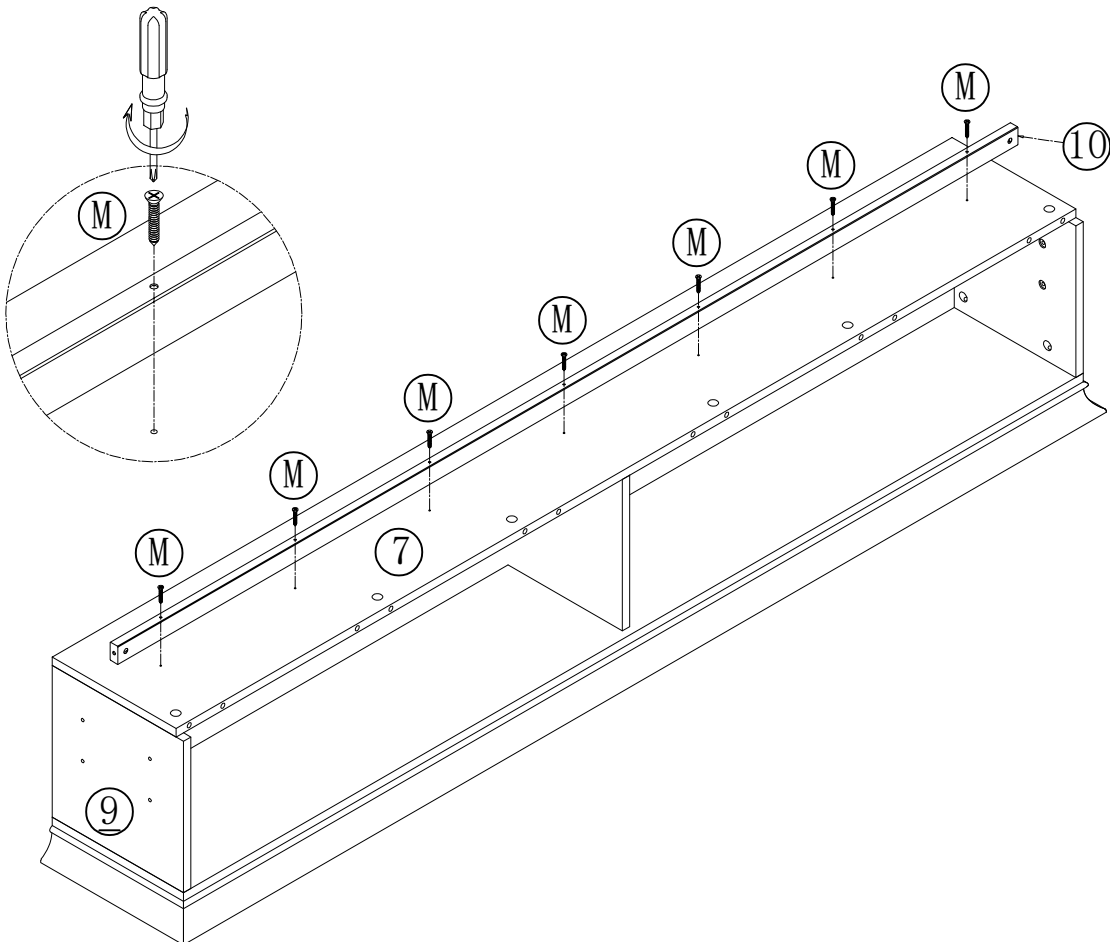


# Step/Étape 41



B		6
C		6

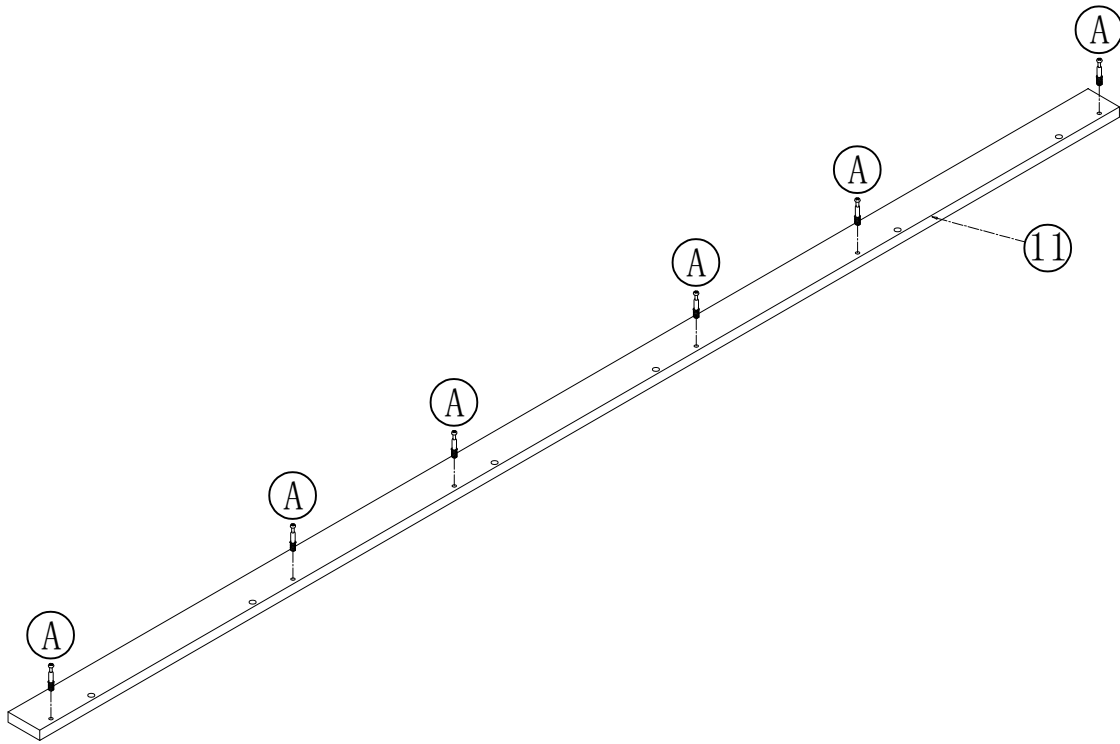




10		1
M		7

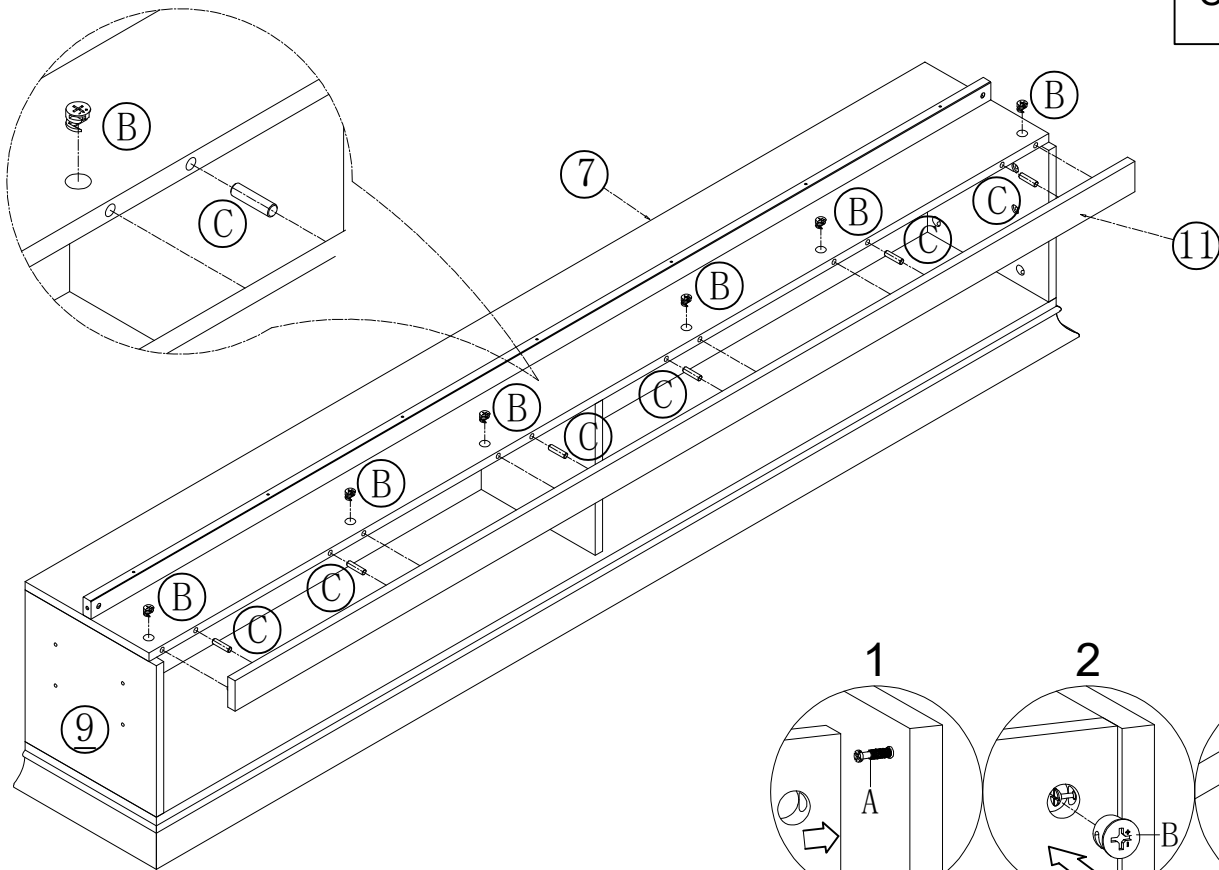


# Step/Étape 42

11		1
A		6





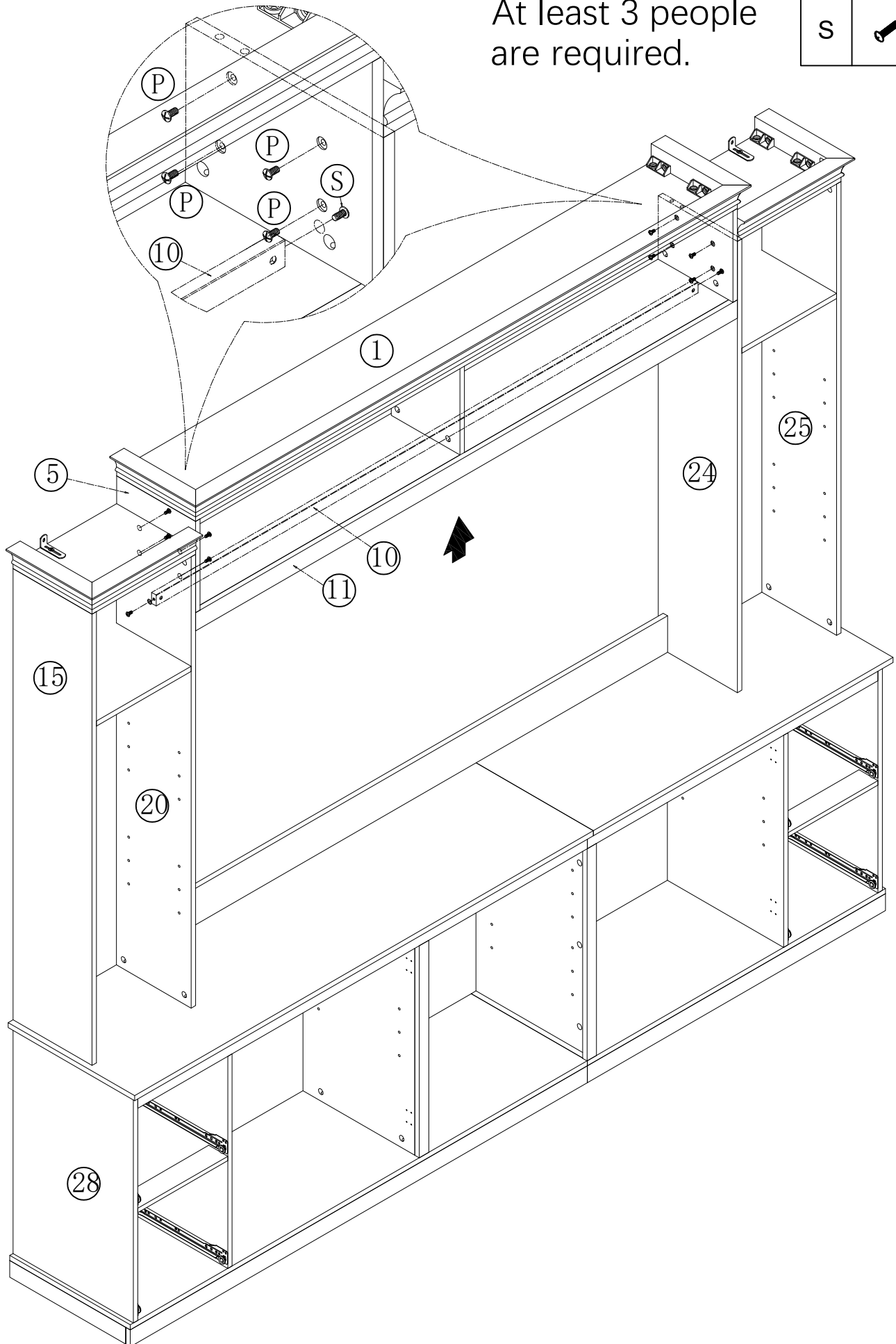
B		6
C		6



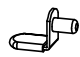
# Step/Étape 43

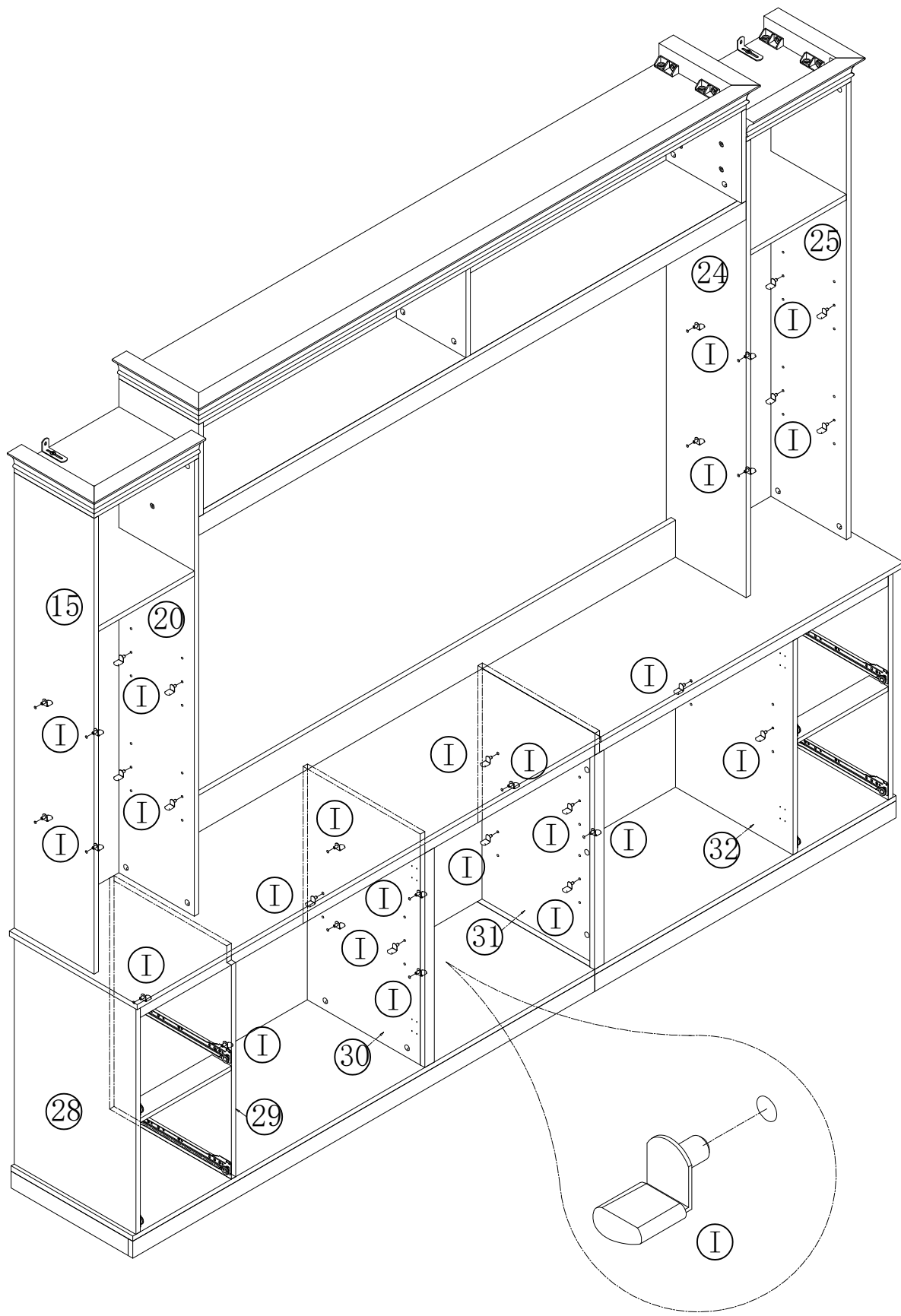
Be careful!  
At least 3 people  
are required.

P		8
S		2


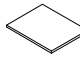




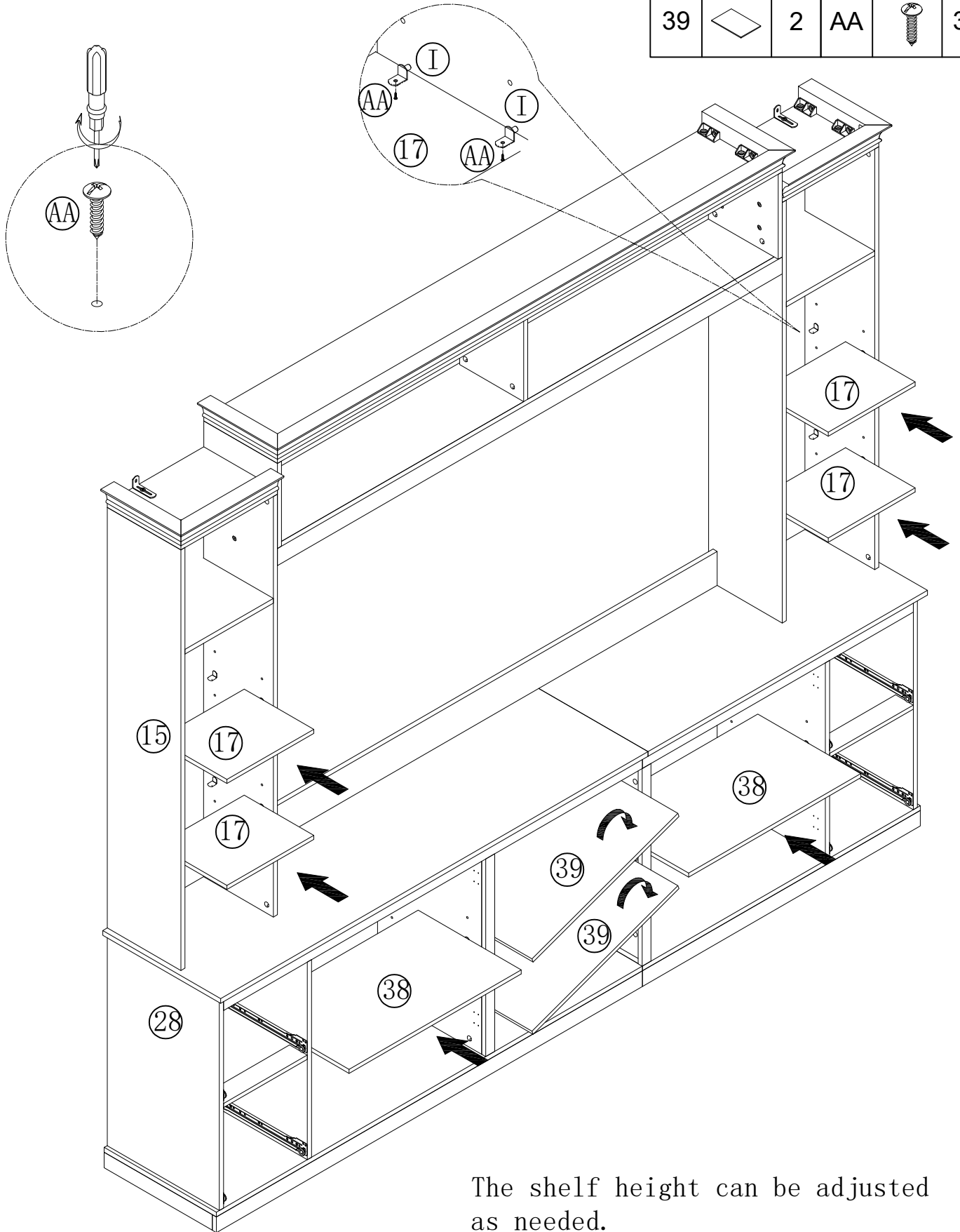
# Step/Étape 44

I		32
---	--	----



# Step/Étape 45

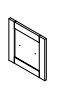

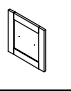

38		2	17		4
39		2	AA		32

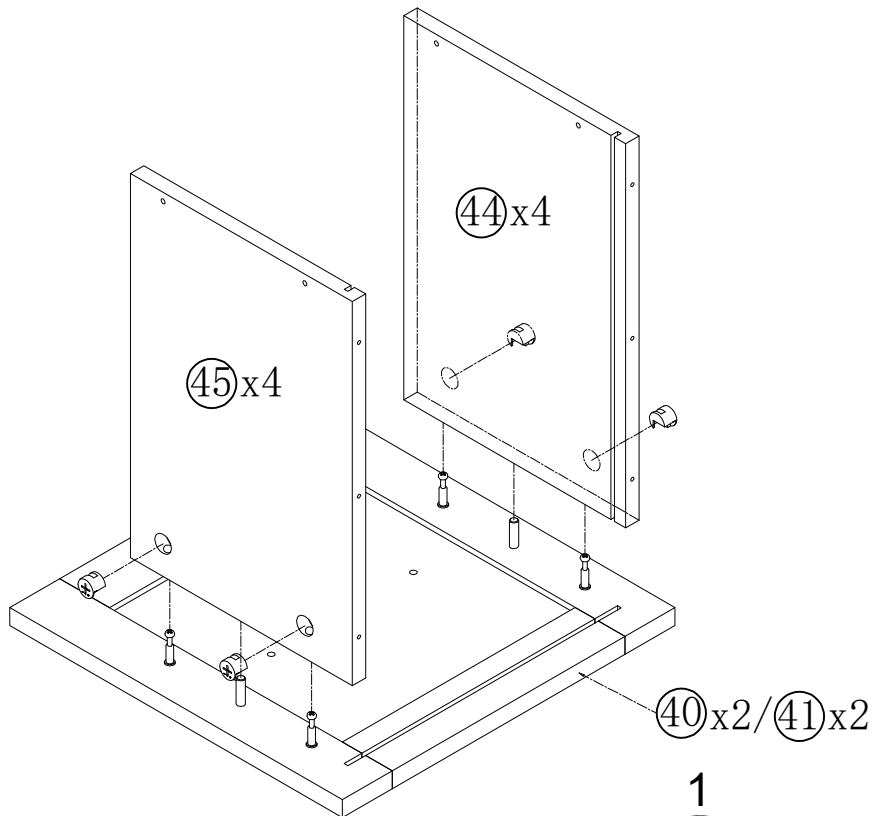
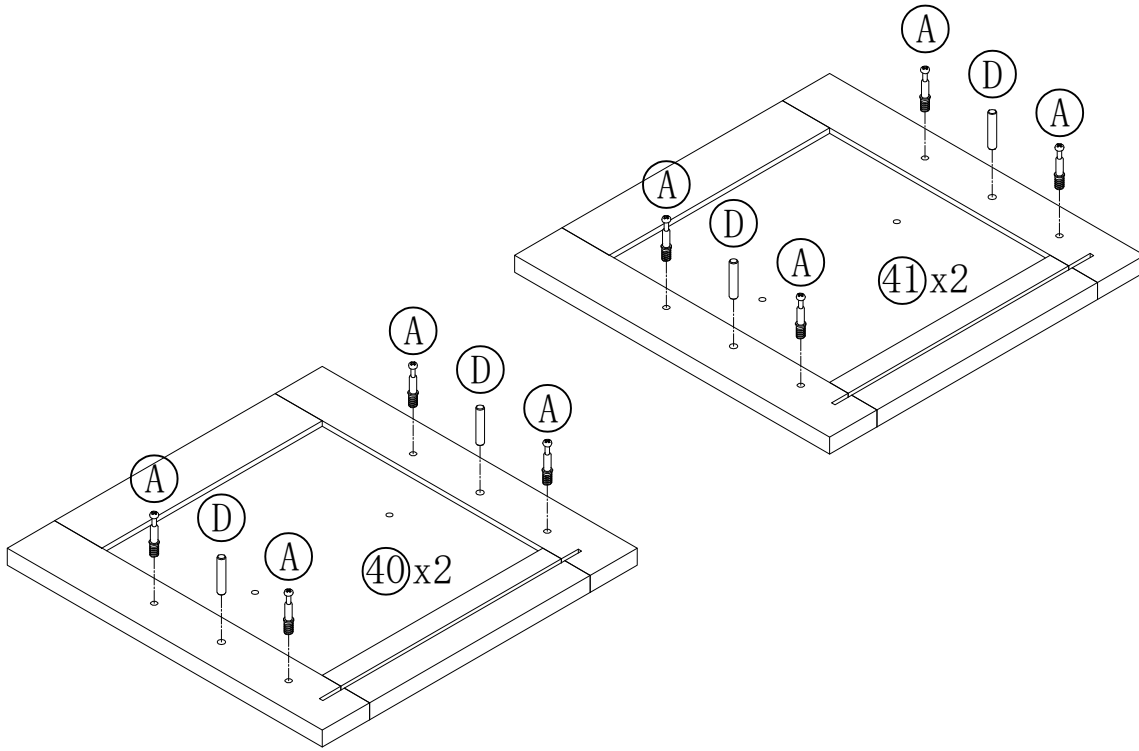


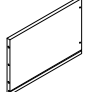
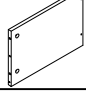

The shelf height can be adjusted as needed.

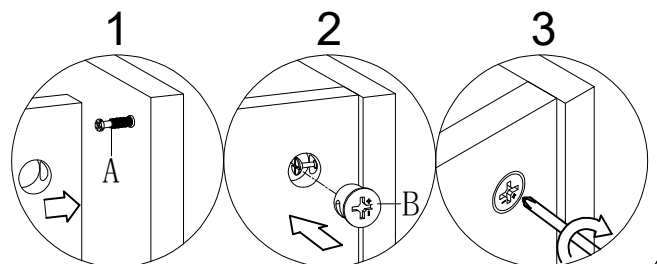
Please decide on the layer placement before installing the shelves in the side cabinet.

# Step/Étape 46

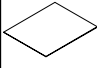
40		2	A		16
41		2	D		8

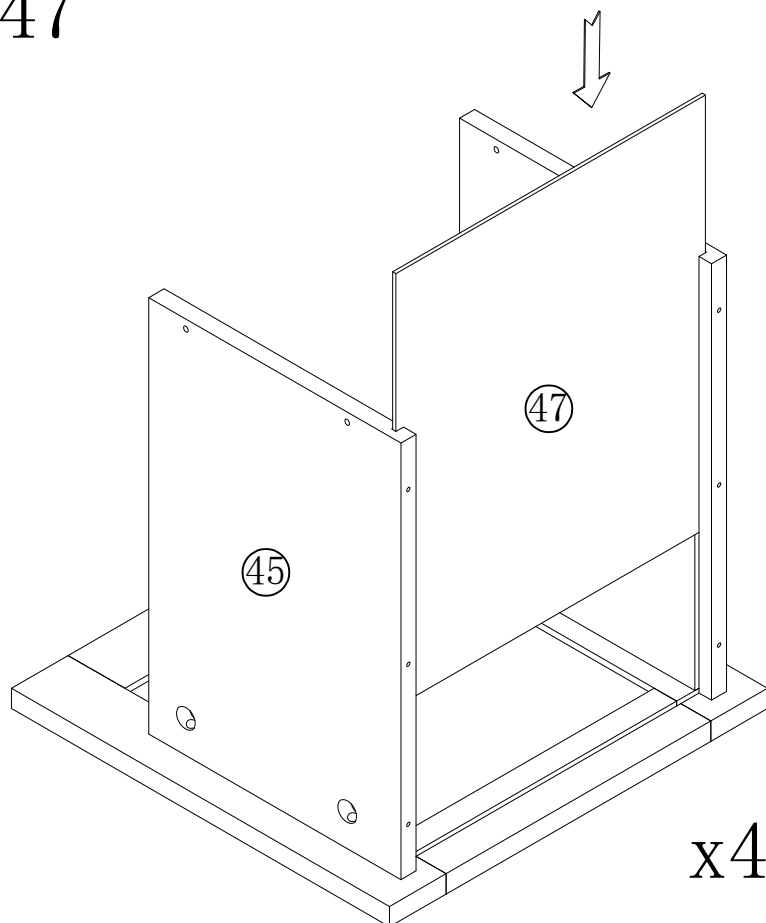


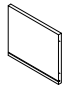

44		4			
45		4			
B		16			

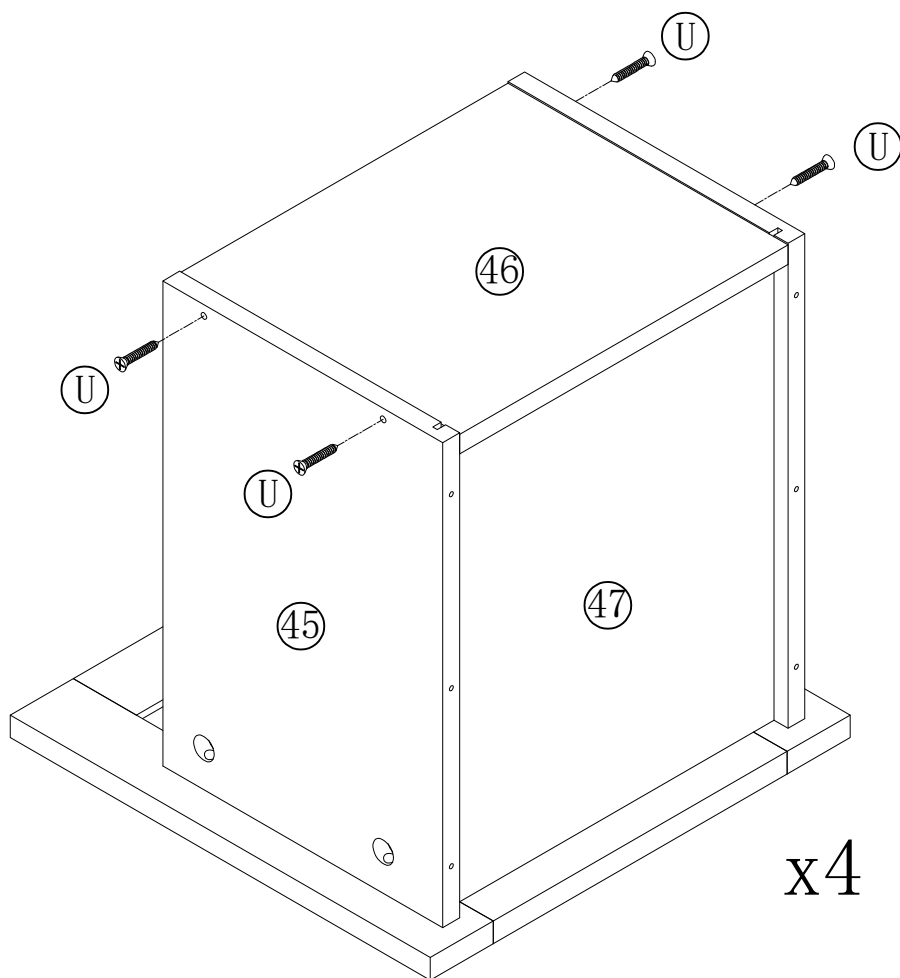


# Step/Étape 47

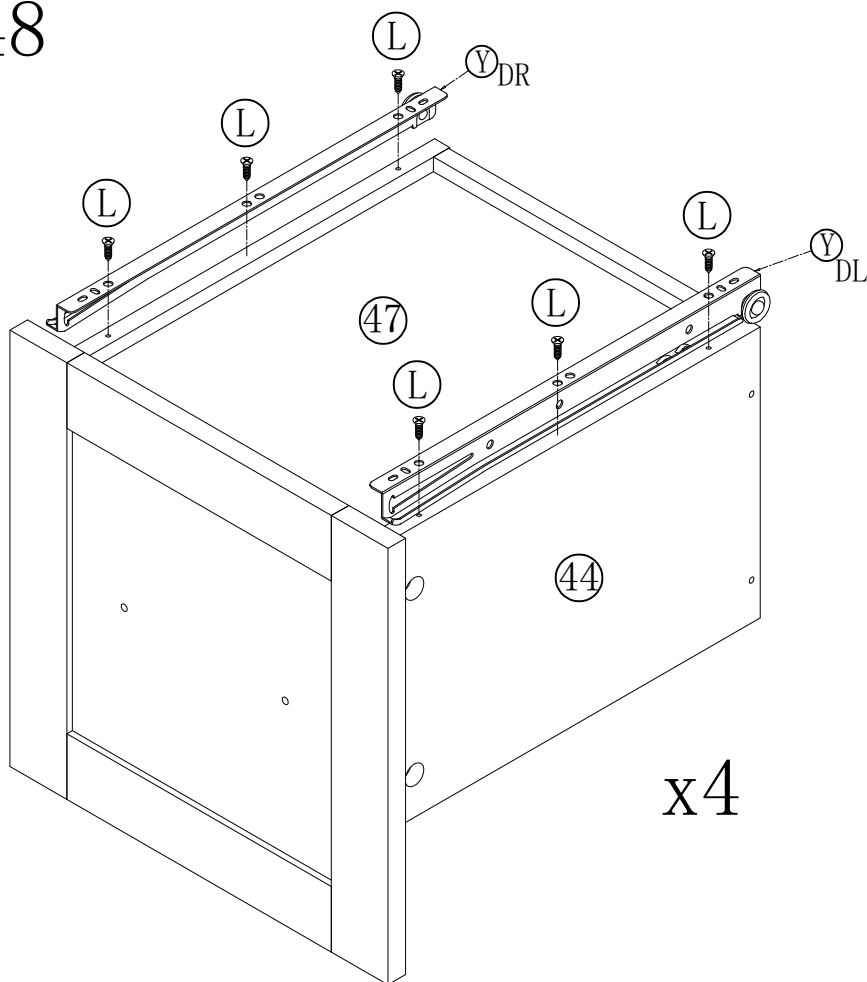
47		4
----	--	---






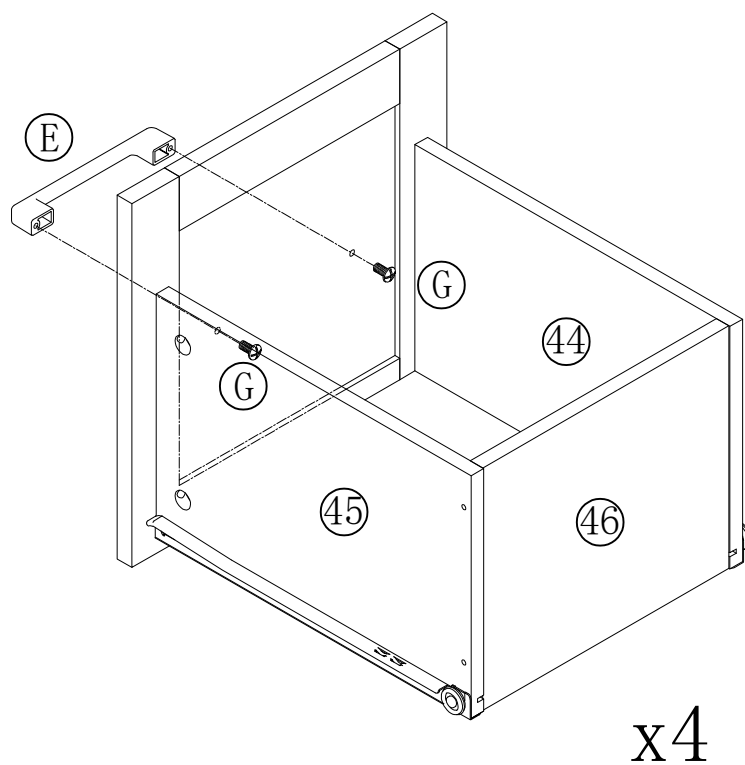
46		4
U		16





# Step/Étape 48

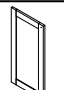

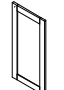





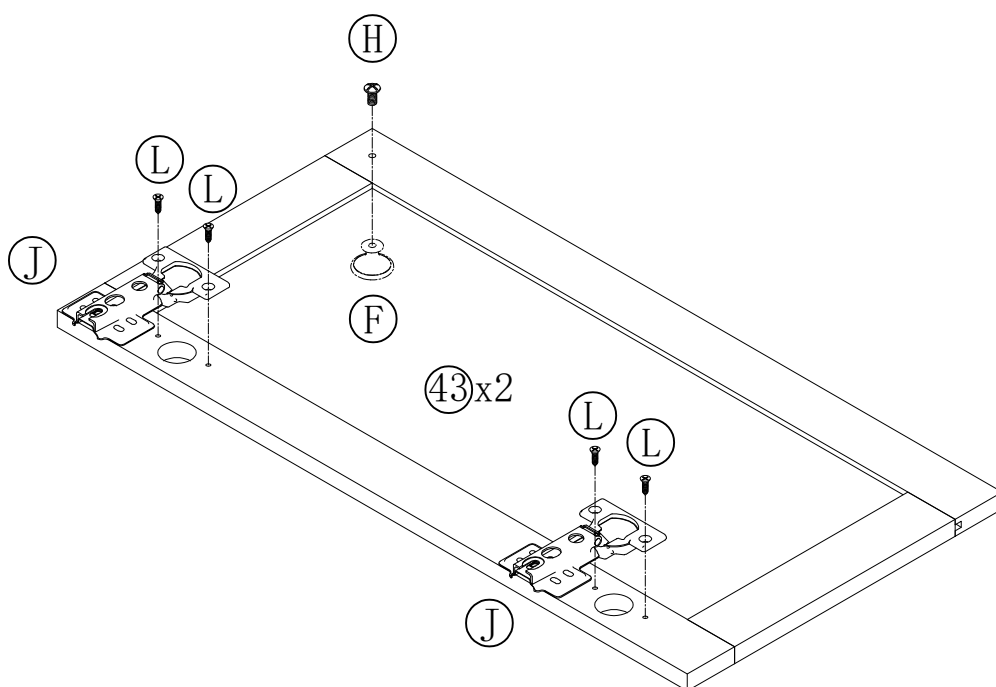
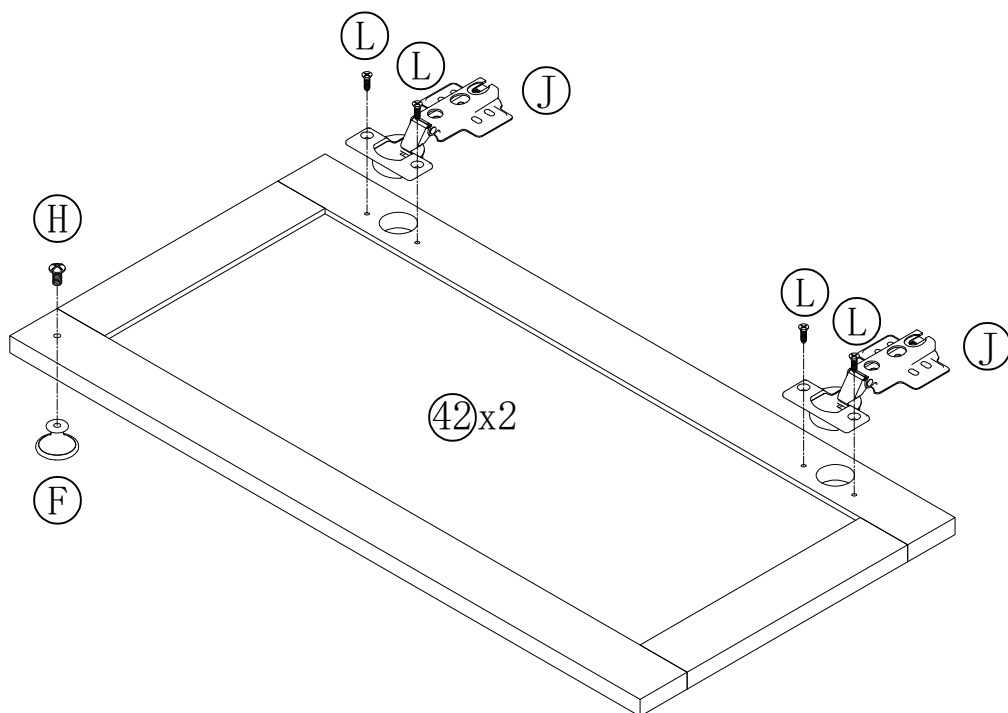
Y		4
Y		4
L		24



E		4
G		8

# Step/Étape 49

42		2	H		4
43		2	J		8
F		4	L		16



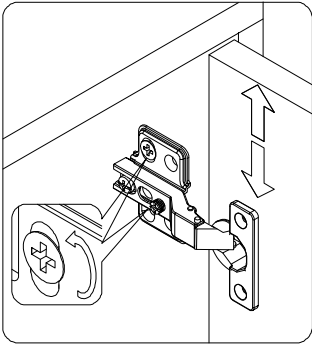
# Step/Étape 50

L

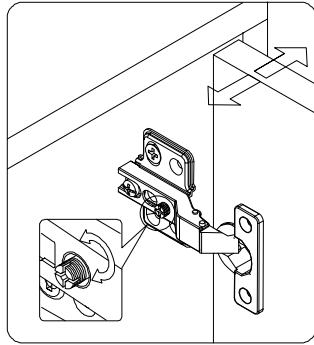


16

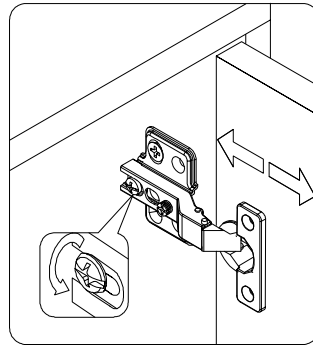
When the hinges are installed, you can refer to the pictures to adjust the screws of the doors till it's perfect



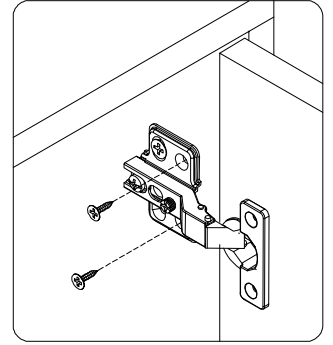
1. Adjust the screws shown in Figure 1 to adjust the door up and down.



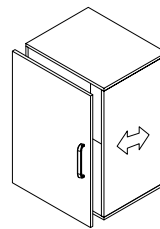
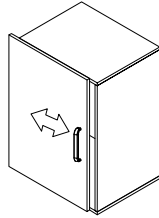
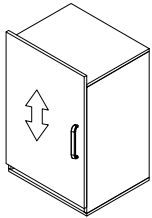
2. Adjust the screws shown in Figure 2 to adjust the door left and right to the right position.



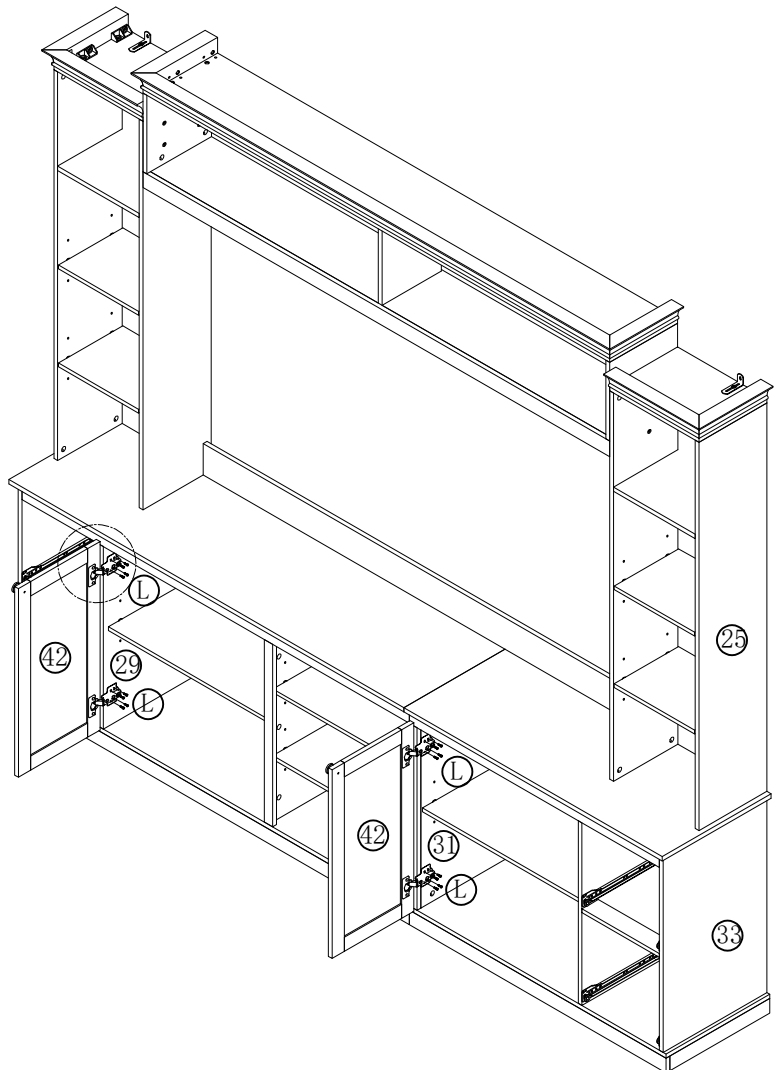
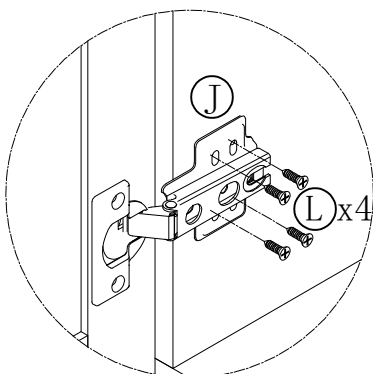
3. Adjust the screws shown in Figure 3 and pull the door back and forth so that it can be opened smoothly.



4. After the adjustment is complete, install the remaining two screws to secure the door in place.



If there is an uneven gap between the door and the cabinet body, the problem can be solved by adjusting the hinge.



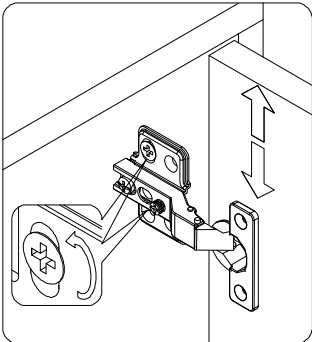
# Step/Étape 51

L

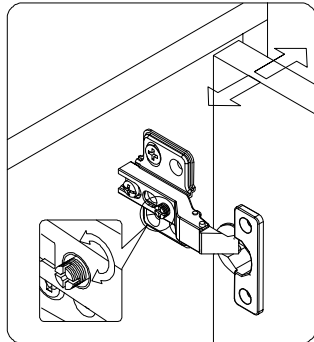


16

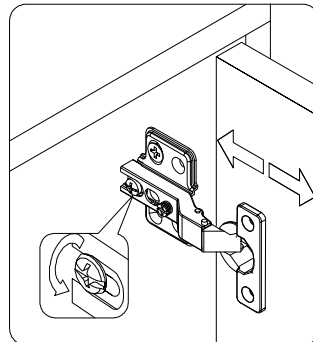
When the hinges are installed, you can refer to the pictures to adjust the screws of the doors till it's perfect



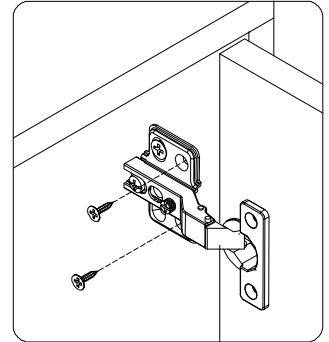
1. Adjust the screws shown in Figure 1 to adjust the door up and down.



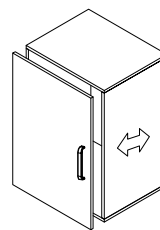
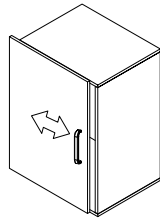
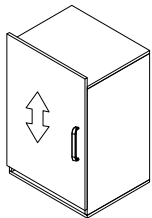
2. Adjust the screws shown in Figure 2 to adjust the door left and right to the right position.



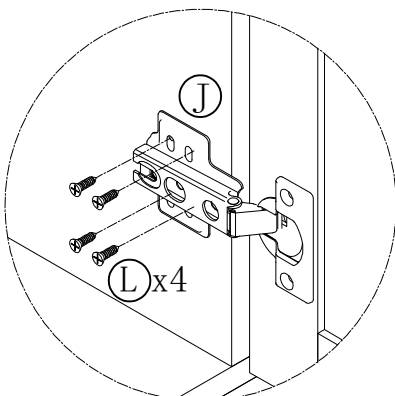
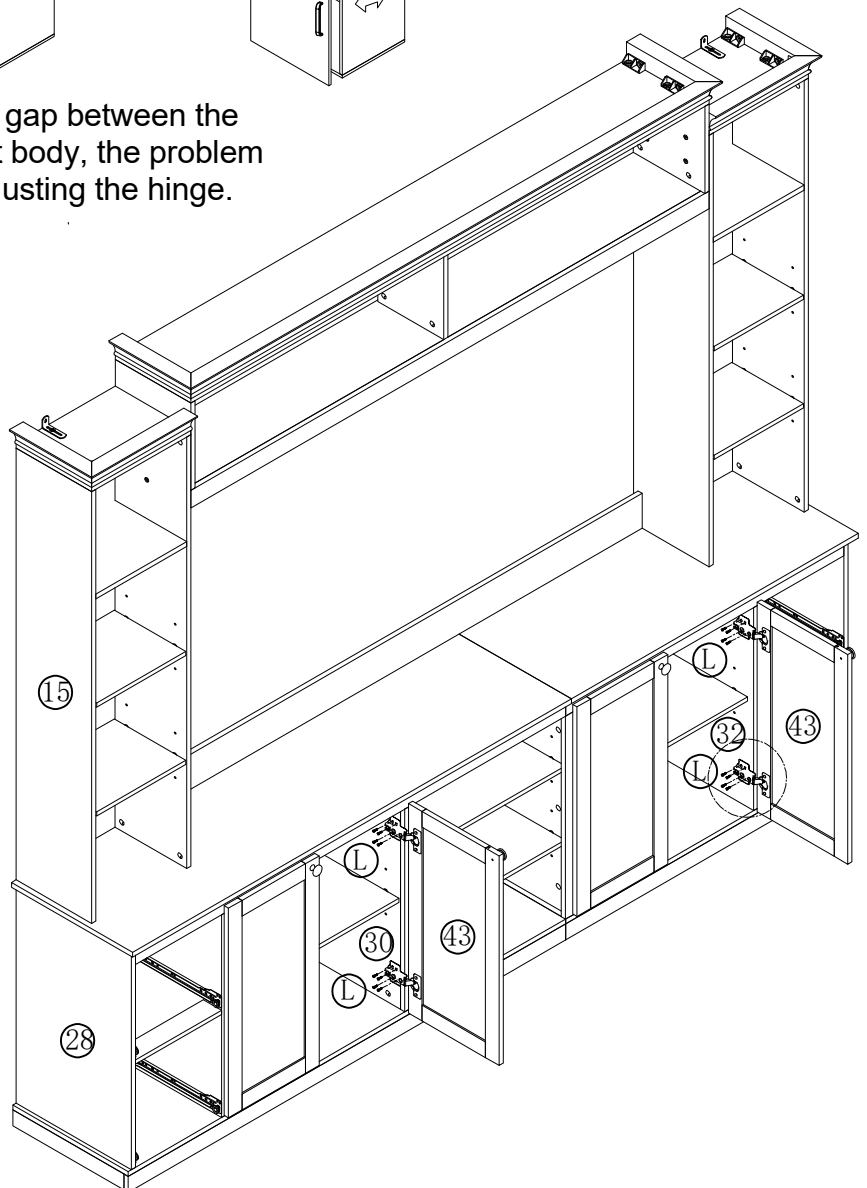
3. Adjust the screws shown in Figure 3 and pull the door back and forth so that it can be opened smoothly.



4. After the adjustment is complete, install the remaining two screws to secure the door in place.



If there is an uneven gap between the door and the cabinet body, the problem can be solved by adjusting the hinge.

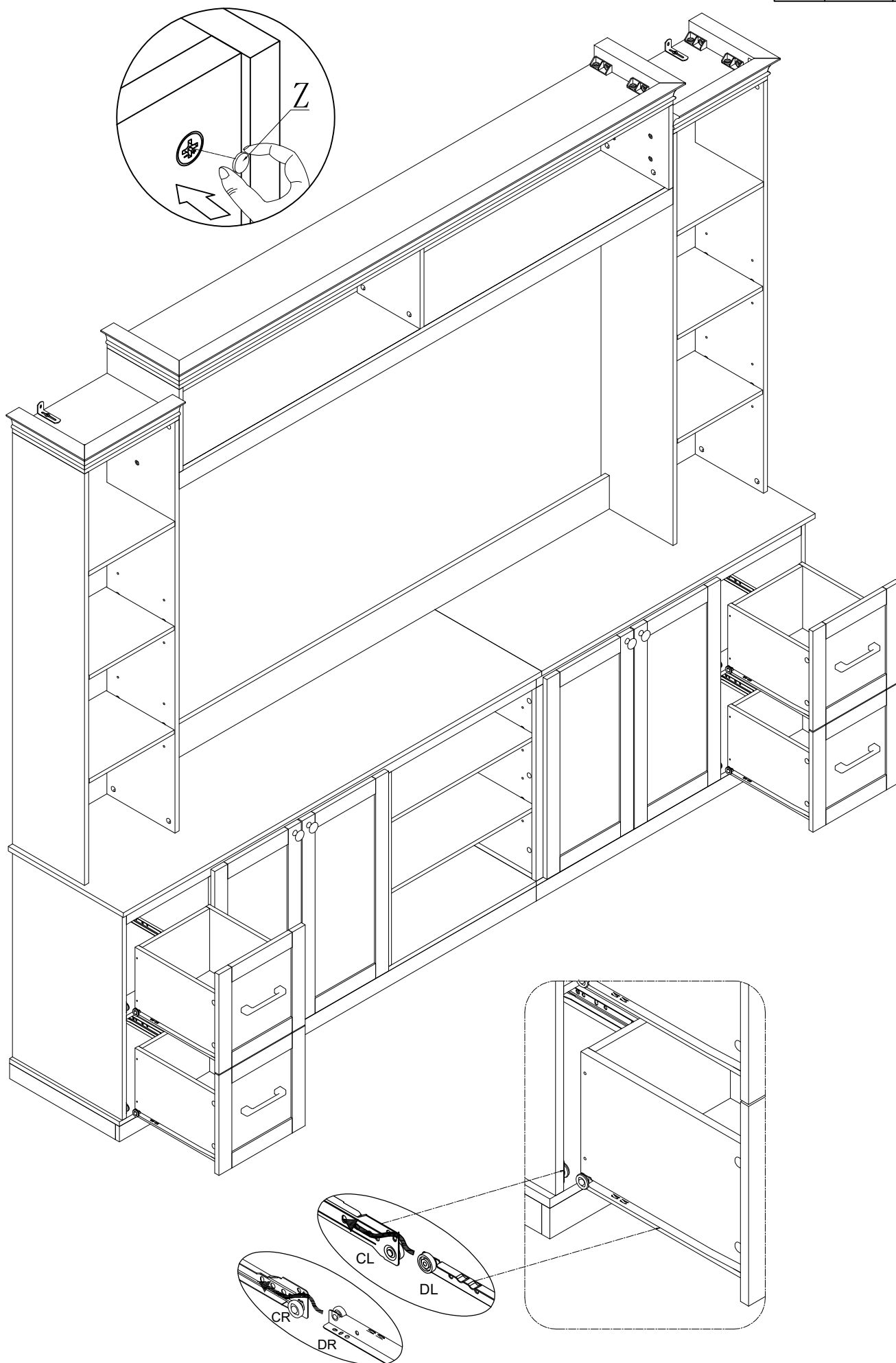


# Step/Étape 52

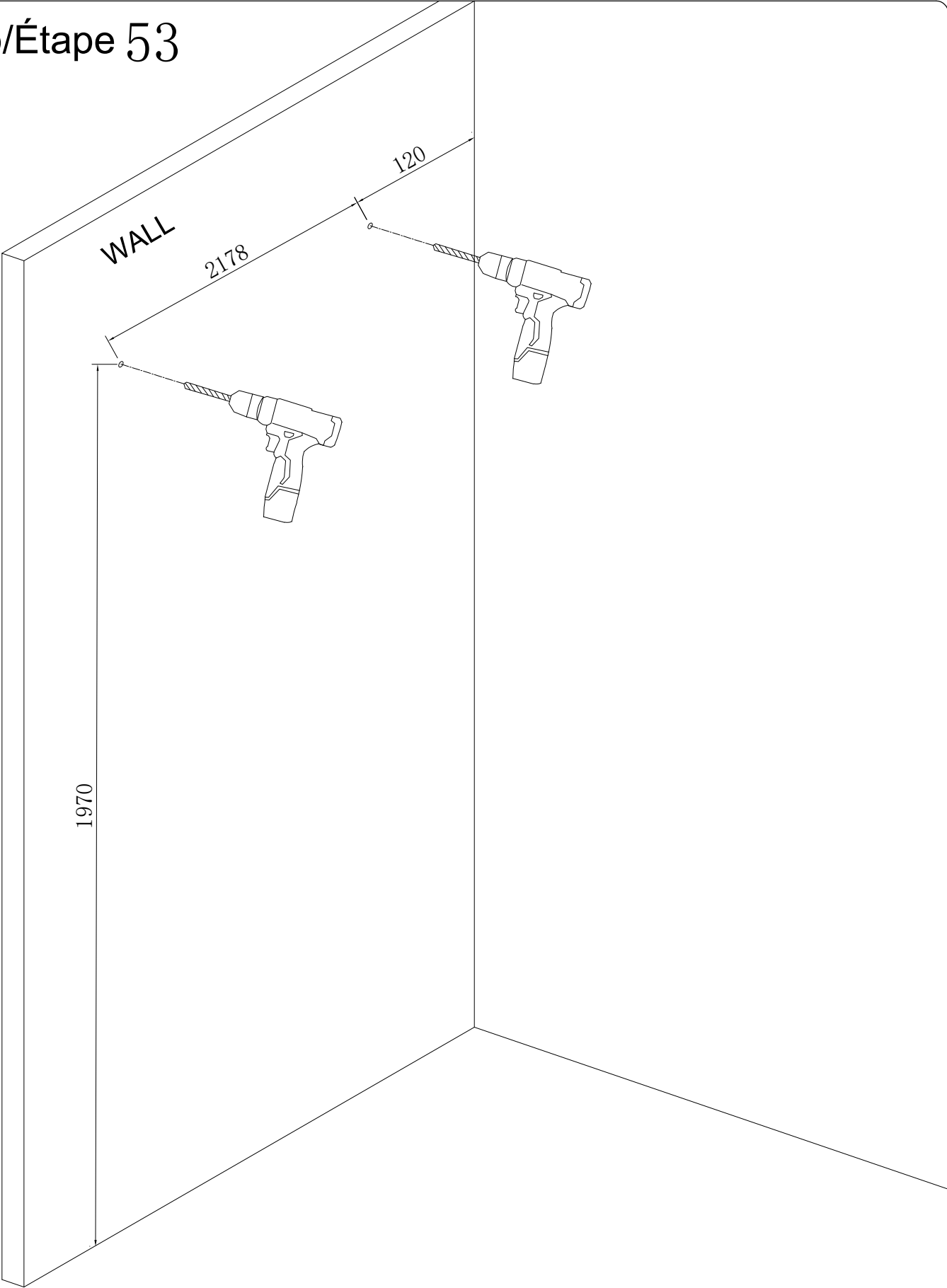
Z

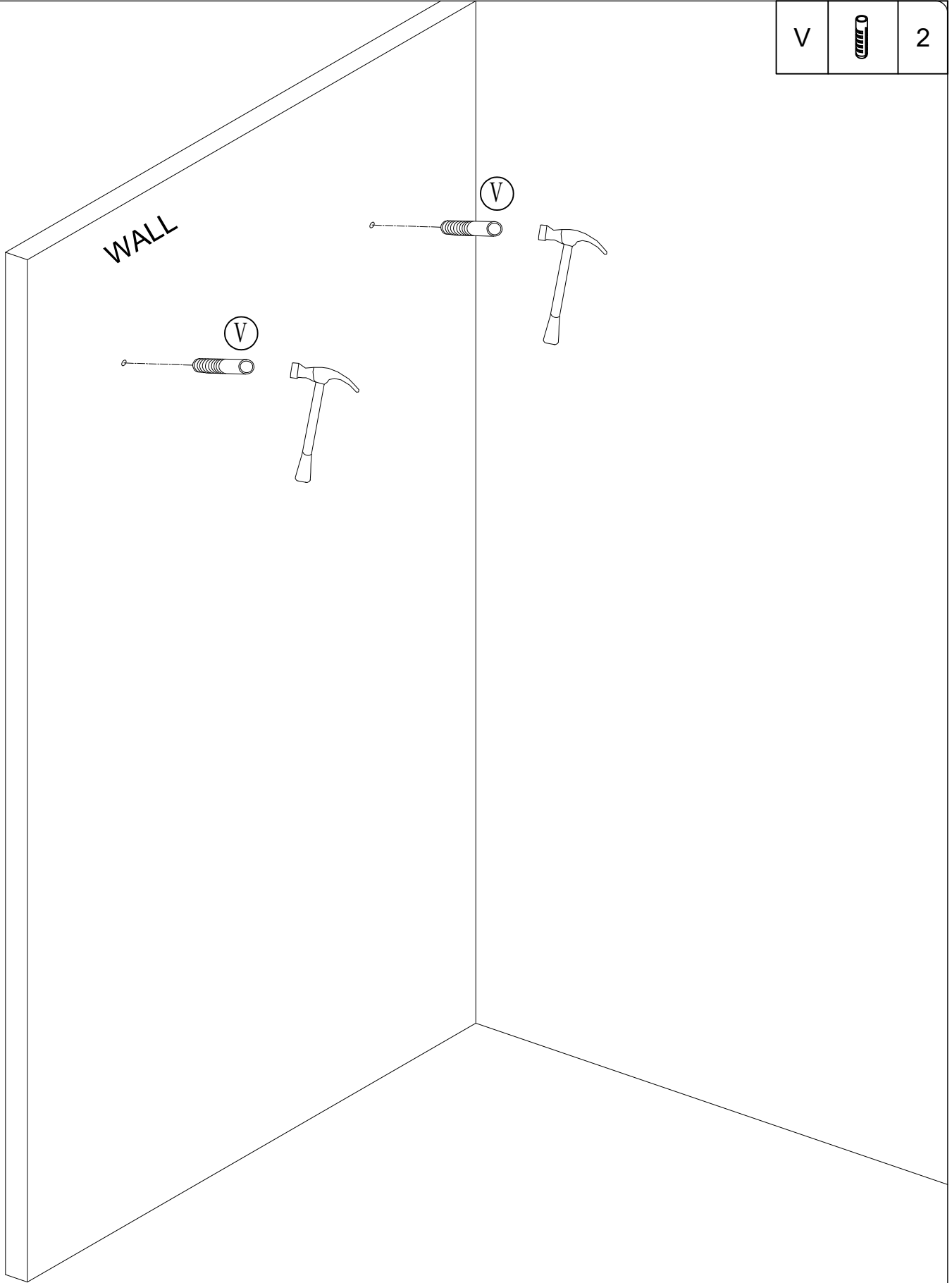


196



# Step/Étape 53





V	⊙	2
W	⌚	2

