

ASSEMBLY INSTRUCTION

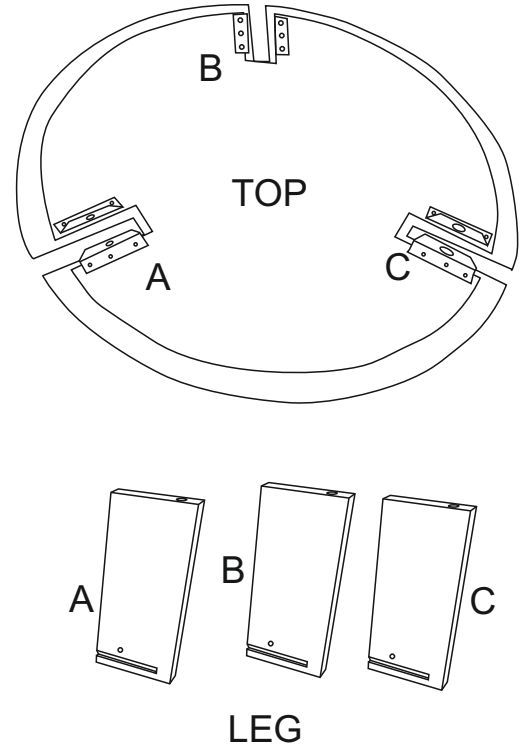
SKU# 92546

Before beginning

- Unpack all parts and hardware to ensure you have all needed components for assembly.
- Read this guide cover before beginning assembly .
- Assemble this item on a soft surface such as carpet to protect finish.
- Proper assembly of this item requires 2 person & 20 minutes to assemble.

CARE INSTRUCTIONS

Wipe with a soft and dry cloth. To protect finish, avoid the use of chemicals and household cleaners. Any liquid in the table should be cleaned up immediately with a damp cloth.







HOW TO ASSEMBLE

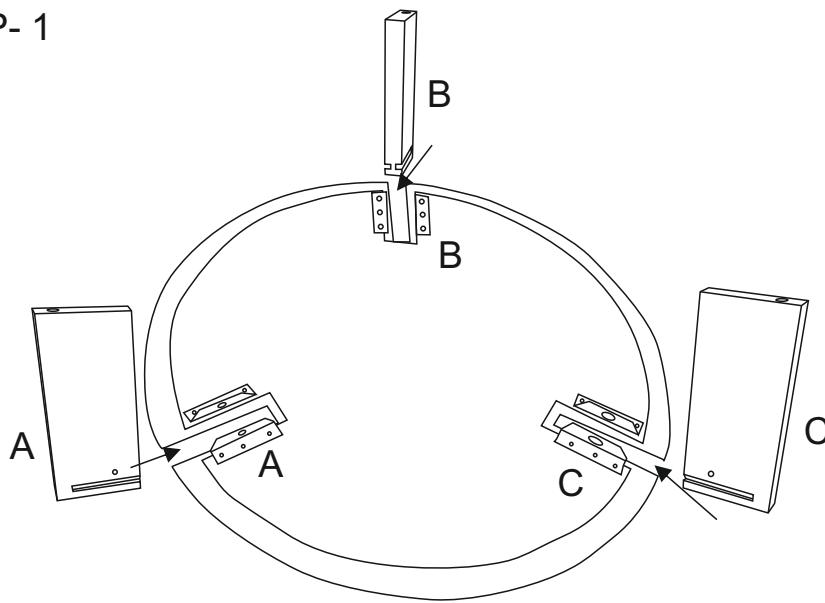
STEP-1 Place the coffee table top upside on rug and match marking A with A and B With B and C with C respectively.

STEP-2 Insert allen bolt E with spring washer G and flat washer F then tighten with allen key D.

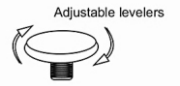
STEP-3 Turn the coffee table upside down, coffee table ready to use.

No.	Sketch	Description.	Size (IN)	Qty.	Ext.
D		ALLEN KEY	0.19"	1	0
E		ALLEN BOLT	0.31X0.78"	06	1
F		WASHER	0.35X1 "	06	1
G		SPRING WASHER	0.35X0.5"	06	1

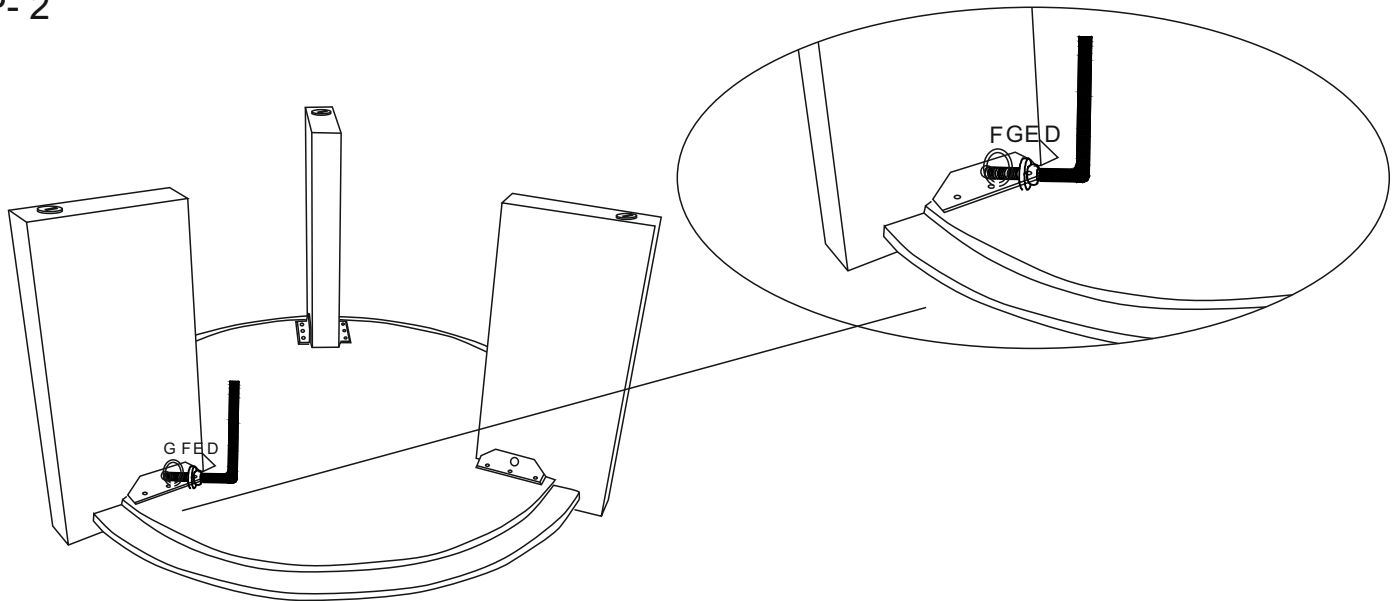
STEP- 1



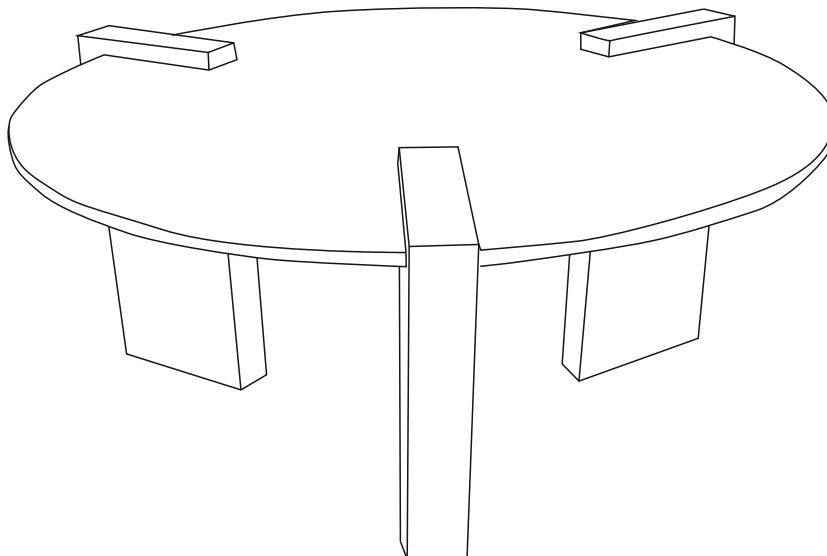
Tip for leveling of product:
When the product rests on an uneven floor surface
it will appear to be unbalanced. To aid in leveling, try
adjusting the levelers on the bottom of each foot.



STEP- 2



STEP- 3



FINAL