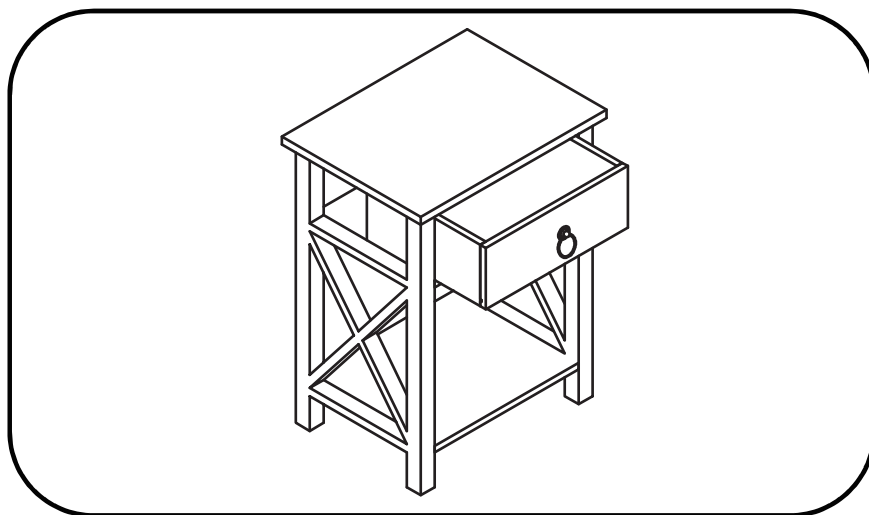


Eily End Table



Assembly Instructions

Product Dimensions:
15.75" L x 11.75" D x 20.75" H * 53 cm

Please take a moment to read through the entire instruction booklet before assembly to familiarize yourself with this product. Once you feel ready to start, follow the instructions step by step and this should make this process as easy as we could make it for you.

If you need help or have damaged or missing parts, contact customer service at www.NaomiHome.com.

© 2020 Naomi Home Inc. - All Rights Reserved.

WARNING CAUTION

ADULT ASSEMBLY REQUIRED CHOKING HAZARD

- This product includes small parts, sharp points and sharp edges in its unassembled state. Keep unassembled parts away from children under 3 years of age, and animals.

STRANGULATION HAZARD

- Never attach or hang items to any part of the bookcase that is not designed for use with the bookcase; for example, but not limited to hooks, belts, and jump ropes.

SAFETY WARNINGS

- Follow the information on the warnings appearing on the loft bed end structure and on the carton. Do not remove warning label from bed.
- Do not allow children under 3 years of age to use the bookcase.
- Do not use substitute parts. Contact the manufacturer or dealer for replacement parts.

FURNITURE TIP-OVER HAZARD

Children have died from furniture tip-over.

To reduce the risk of furniture tip-over:

- ALWAYS install tip-over restraint especially if used by a wall or in the open.
- NEVER put a TV on this product
- NEVER allow children to stand, climb or hang on drawers, doors, or shelves.
- NEVER open more than one drawer at a time.
- ALWAYS place heaviest items in lowest drawers.



PARENTAL SUPERVISION IS REQUIRED

- This Naomi Home Kids product is intended for child use age 3+.
- Parents or Guardians should supervise use under the intended age specifically regarding children that may have access to it and climb on the unit.
- Do not allow horseplay on, under, or behind the unit and prohibit jumping on the bookcase.
- If used improperly, your bookcase may be pulled over or fall, creating risk of injury or damage. Children should not be permitted to climb or pull on the bookcase.

USE, MAINTENANCE & ASSEMBLY

- Periodically check and ensure that the components are in their proper position, free from damage, and that all connectors are tight.
- Use on level surfaces only. Assemble on a soft level surface to avoid damage to unit or floor.
- Do not use this item if any components are missing or damaged.
- Do not use substitute parts. Contact the manufacturer or dealer for replacement parts.
- Only clean using damp cloth and mild detergent, do not use bleach or abrasive cleaners.
- Check you have all components and tools listed on page 4
- Do not stand or put weight on this product during assembly, this could cause damage.
- Remove all hardware from the plastic bags and separate them into groups.
- Assemble the item as close to its final position (in the same room) as possible.
- Certain assembly steps may be easier with 2 people.
- Dispose of all packaging carefully and responsibly.
- We do not recommend power screwdrivers. Only use hand screwdrivers to prevent damage to unit.
- Keep these instructions for future reference.

Enfants morts suite au basculement d'un meuble.

Afin de limiter le risque de basculement de meuble:

- TOUJOURS utiliser les fixations anti-basculement.
- NE JAMAIS installer de TV sur ce produit.
- NE JAMAIS laisser d'enfants se tenir debout sur les tiroirs, portes ou étagères, y grimper ou s'y suspendre.
- NE JAMAIS ouvrir plus d'un tiroir à la fois.
- TOUJOURS placer les choses les plus lourdes dans les tiroirs du bas.

Han muerto niños por el vuelco de muebles.

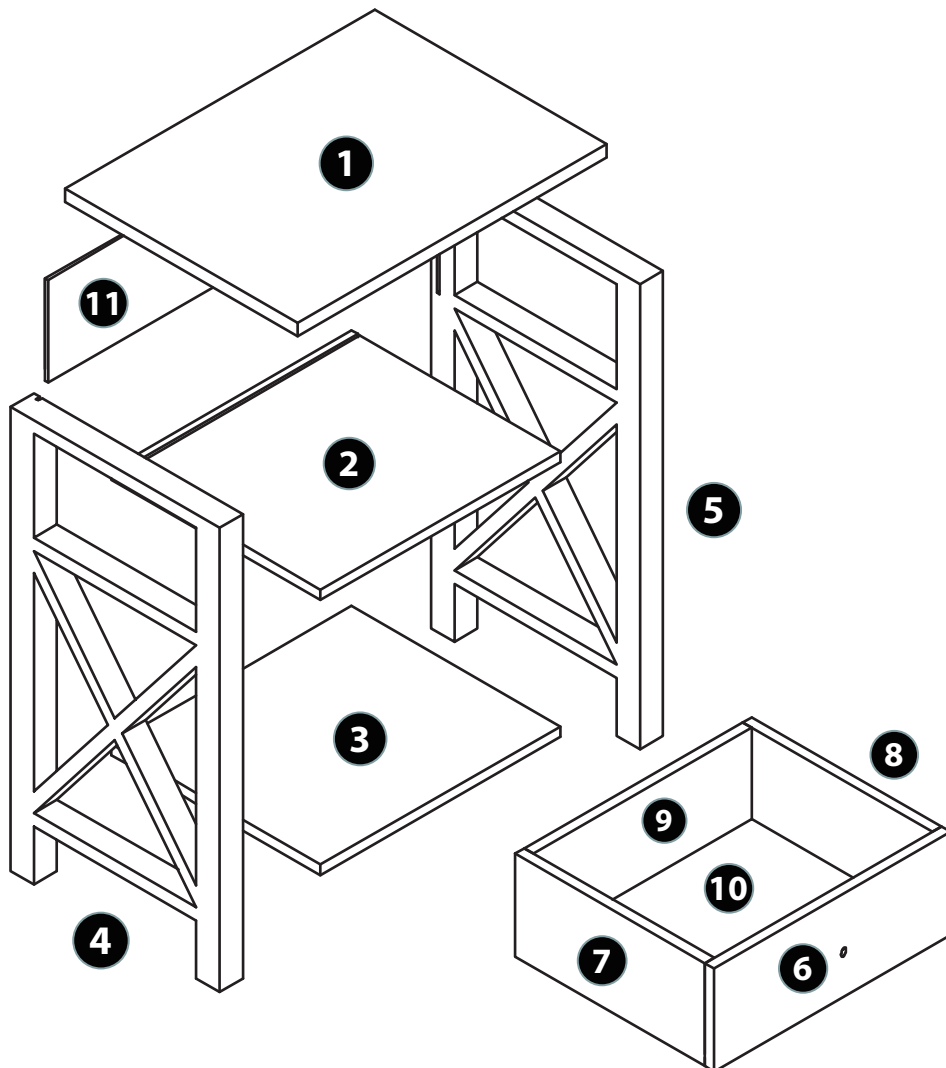
Para limitar el riesgo de vuelco de los muebles:

- Utilizar SIEMPRE las fijaciones antivuelco que suministran.
- NUNCA instalar un TV sobre este producto.
- NUNCA permitir que los niños se pongan de pie, trepen o se cuelguen de los cajones, puertas o baldas.
- NUNCA abrir más de un cajón a la vez.
- Colocar los objetos más pesados en los cajones inferiores.

ASSEMBLY AT A GLANCE

Please take a moment to read through the whole instruction booklet before assembly to familiarize yourself with this product. Once you feel ready to start, follow the instructions step by step and this should make this process as easy as we could make it for you.

Due to the number of parts involved assembly can take a few hours so set aside between 30 minutes and 1 hour to assemble this without rushing.

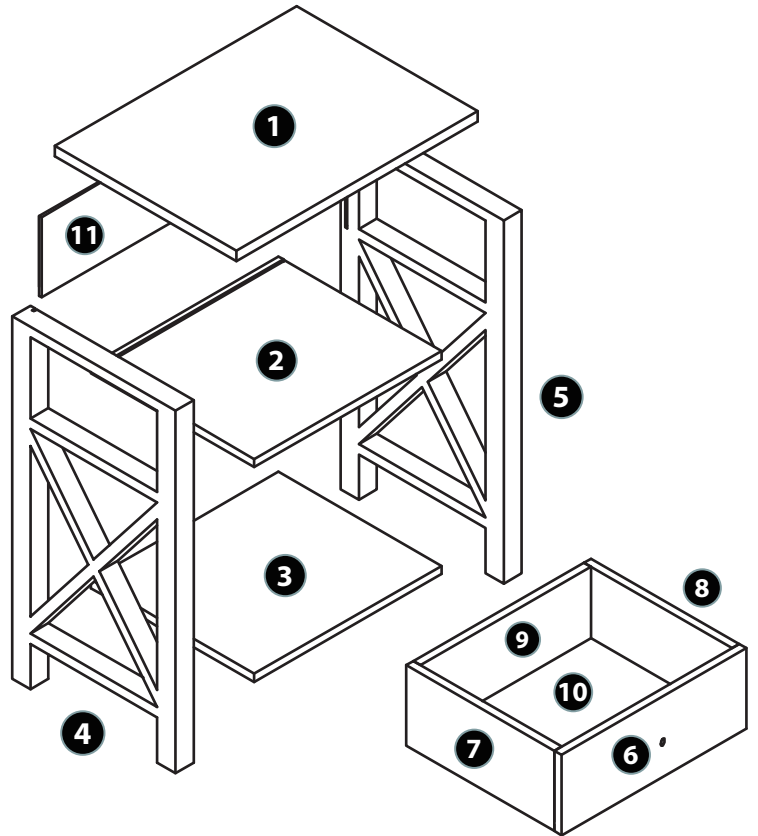


This drawing is to give you an overall idea only of how this assembly will go together and does not replace the assembly instructions.

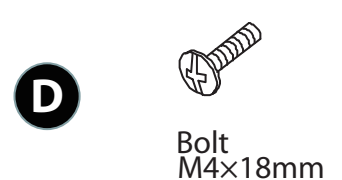
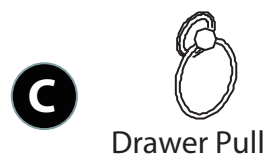
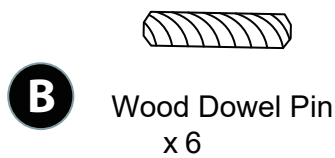
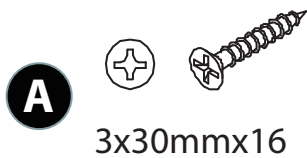
COMPONENT PARTS

Please check that you have all the parts listed below

1. Table Top Panel x1
2. Middle Panel x1
3. Bottom Panel x1
4. Left Shelf x1
5. Right Shelf x1
6. Drawer Front Support x1
7. Drawer Left Side x1
8. Drawer Right Side x1
9. Drawer Rear Support x1
10. Drawer Bottom x1
11. Table Back Support x1



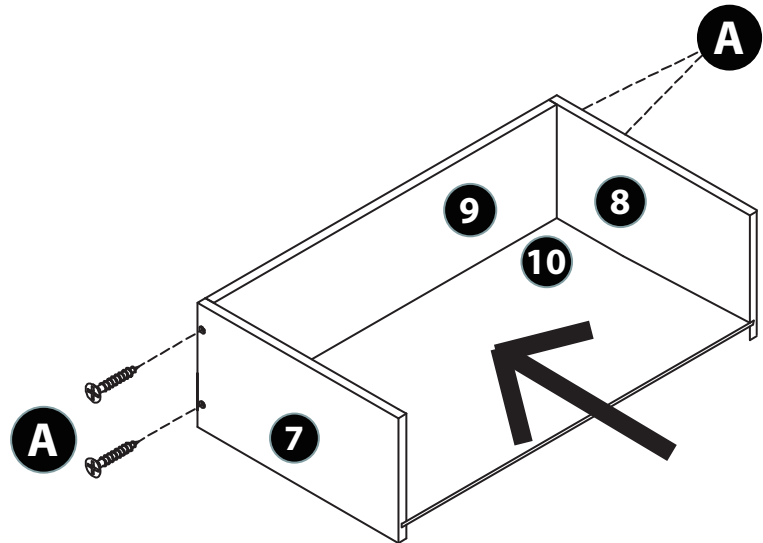
ASSEMBLY HARDWARE



ASSEMBLY INSTRUCTIONS

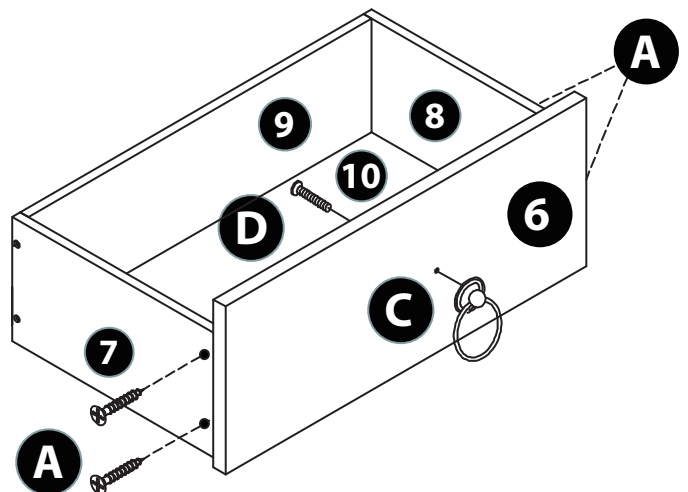
1

Select 7,8,9,10 and A x8.
Align groove in 7, and 8 to groove of 9. Fasten 7 to 9 with A x2. Repeat and fasten 8 to 9 with A x2. Slide drawer bottom 10 into groove of 7, 8 and ensure snug into 9.



2

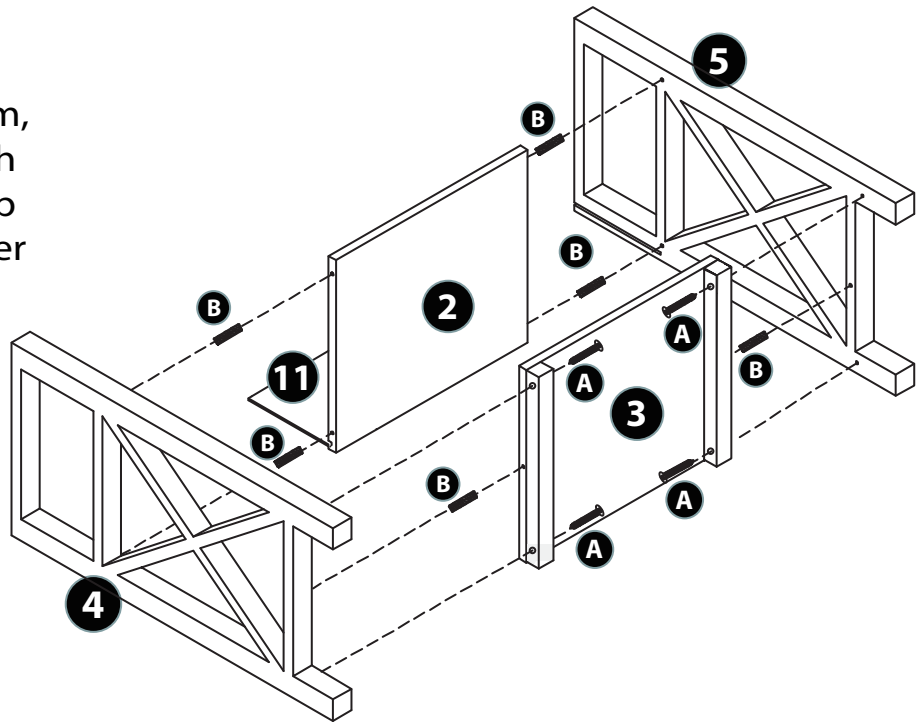
Select 6, Ax4, Cx1, Dx1.
Align groove of 6 to 7 and 8.
slide 10 into groove of 6.
Insert Ax2 into holes at end of 7 and fasten 6 to 7. Repeat Ax2 into holes at end of 8 and fasten 8 to 6. Insert D bolt inside 6 and fasten to C drawer pull.



ASSEMBLY INSTRUCTIONS

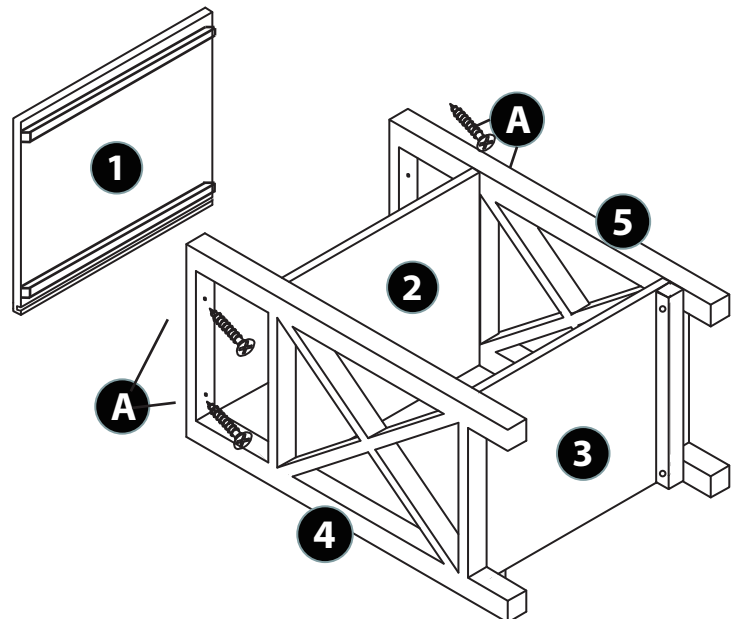
3

Select 2, 3, 4, 5, 11, A x4, B x6. Position 3 in the bottom, position 2 in the middle with groove facing up toward top of unit. Insert B x2 into center holes of 3. Insert B x4 into holes in 2. Align 4 to the left and 5 to the right of the center shelves. Insert dowels from 2 and 3 into holes of 4 and 5. Fasten 3 to 4 and 5 with A x4. Loosely tighten the A screws to allow adjustment at top. Align 11 into groove of 2, 4 and 5. Tighten A screws in 3.

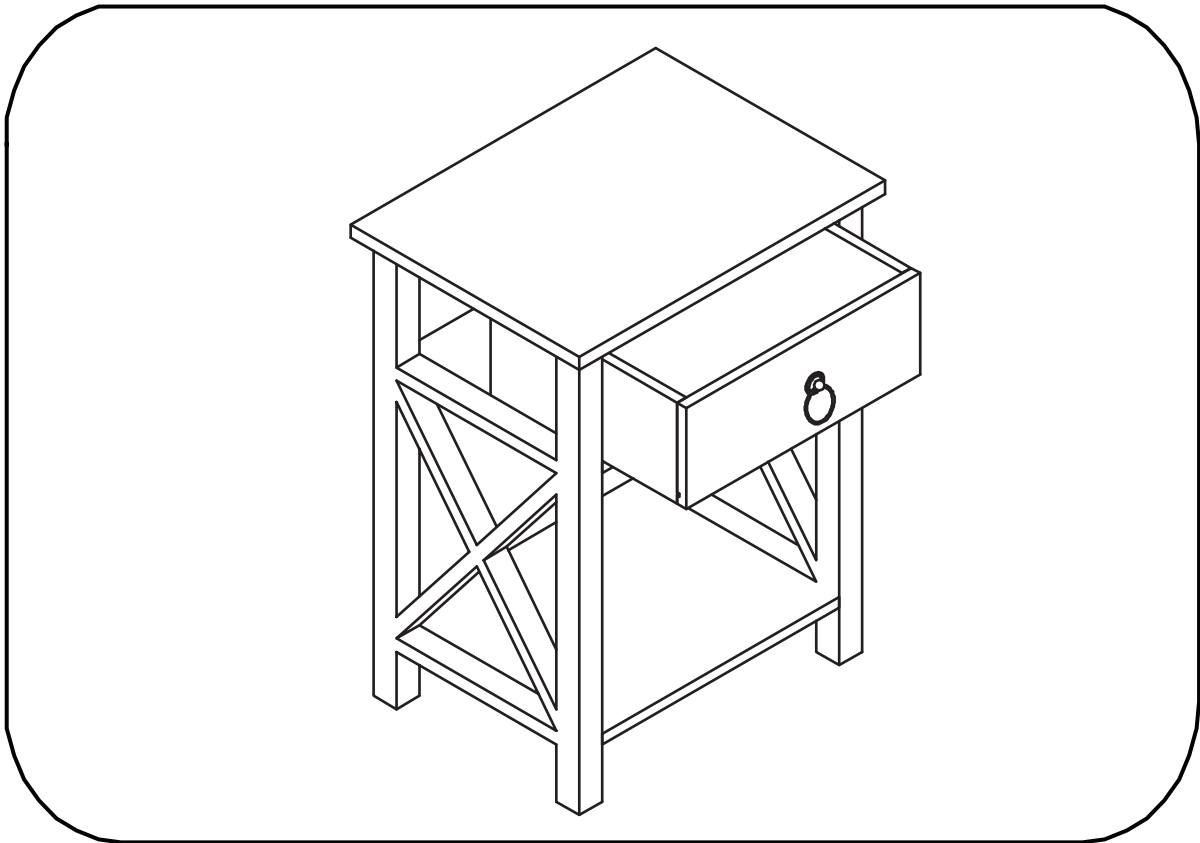


4

Select 2, 3, 4, 5, 11, A x4. Insert the A x2 into the top of the 4 into the 1. Repeat for the 5 and 1.



ASSEMBLY COMPLETE



**CONGRATULATIONS, YOUR NAOMI HOME EILY
END TABLE IS COMPLETE!**

Product Packaging Information

Model #: _____

Color: _____

Shipment Ref. #: _____

Date: _____