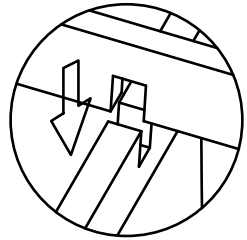
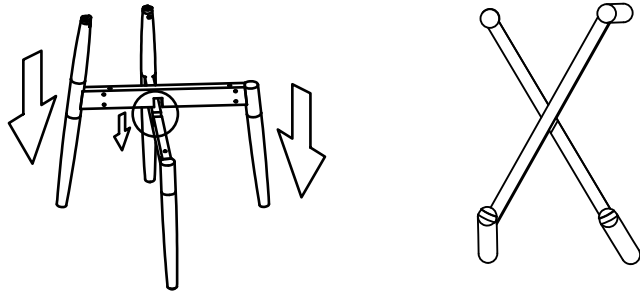


1. Install the two support frames from top to bottom as shown in the diagram. (Pay attention to the direction of the notches.)

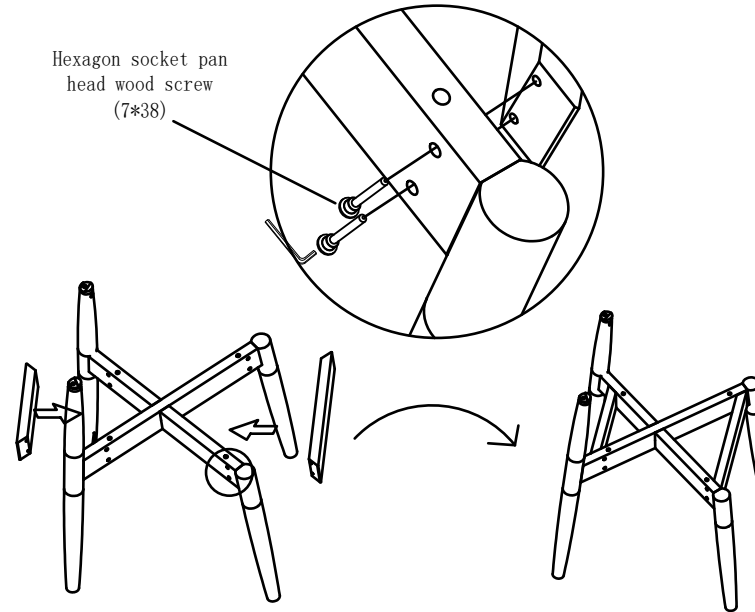


Top view. After installation, check alignment with this view.

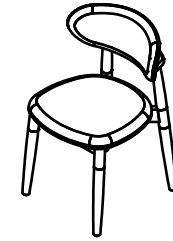


2. Install the two support posts as shown in the diagram.

Hexagon socket pan head wood screw (7*38)



Assembly instructions

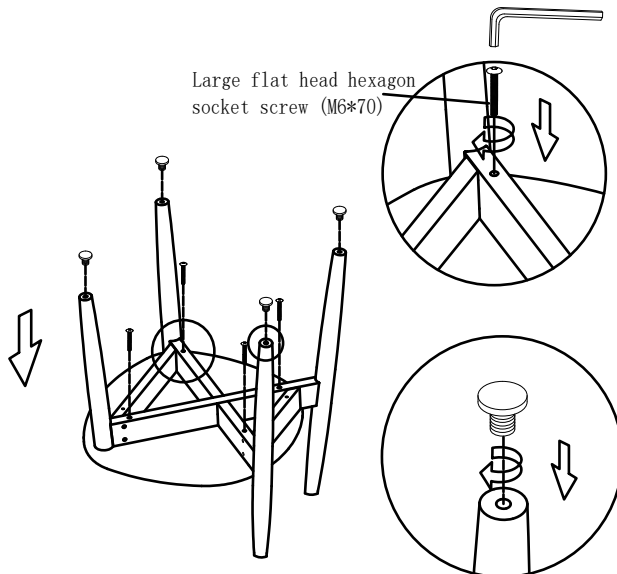


The number of people needed for installation: 2

- ① Please read the manual carefully before installing this product. And strictly follow the installation process
- ② Please take good care of this manual for your next installation
- ③ Note: Before installation, screw all the screws to 1/2 of the length of the installation. After all screws are half screwed in, tighten them all together.

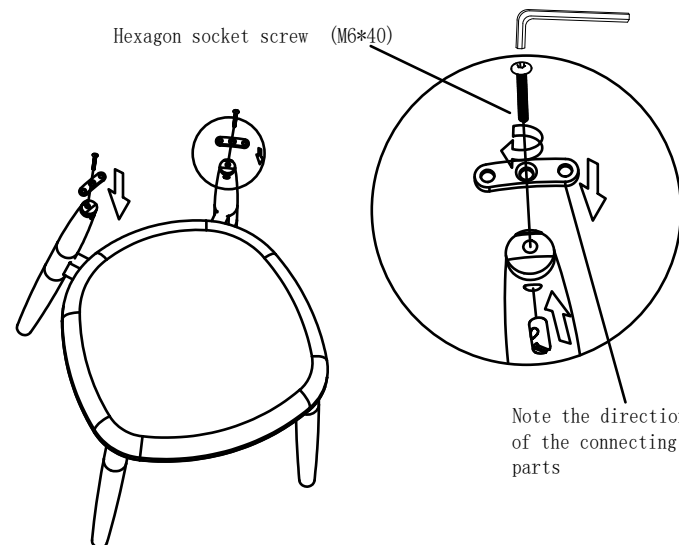
3. Invert the support frames and install them as shown in the diagram.

Large flat head hexagon socket screw (M6*70)



4. Install the connecting pieces on the support frames. (Pay attention to the direction of the middle holes on the connecting pieces — the side of the middle hole with the larger diameter should face upward.)

Hexagon socket screw (M6*40)

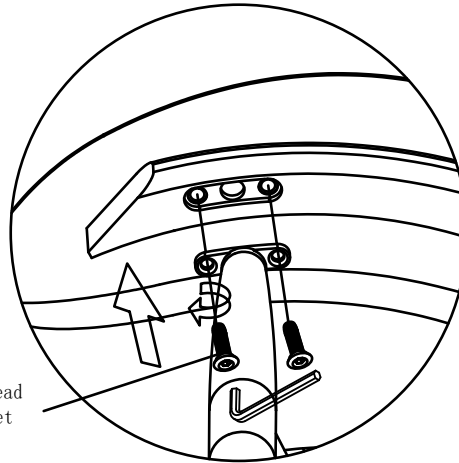
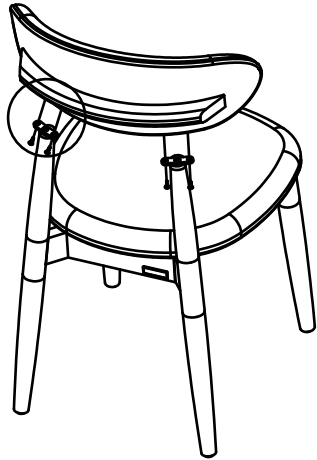


Parts list

On a red ribbon are furniture installation accessories

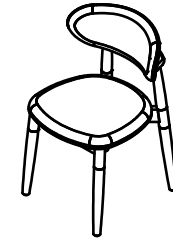
Serial number	Shape	Name	Quantity required for installation	Spare quantity
A		Hexagon socket screw (M6*20)	4	0
B		Hexagon socket pan head wood screw (7*38)	8	0
C		Hexagon socket screw (M6*70)	4	0
D		Hexagon socket screw (M6*40)	2	0
E		Transparent silicone pad	0	4
F		Wrench	1	0
G		Nut	2	0
H		Connector	2	0
I		Threaded Rubber Foot Nail	4	0
J				
K				

5. Install the backrest on the connecting pieces.



Countersunk head hexagon socket screw (M6*20)

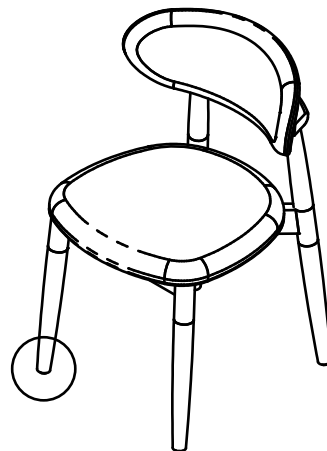
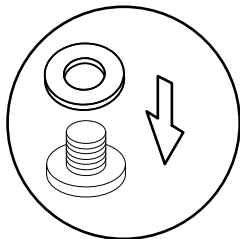
Assembly instructions



The number of people needed for installation: 2

- ① Please read the manual carefully before installing this product. And strictly follow the installation process
- ② Please take good care of this manual for your next installation
- ③ Note: Before installation, screw all the screws to 1/2 of the length of the installation. After all screws are half screwed in, tighten them all together.

6. The installation is complete (Transparent silicone pads are used when the chair legs are uneven in height. Fit the pads over the threaded rubber foot nails, then install them on the shorter chair legs.)



Parts list

On a red ribbon are furniture installation accessories

Serial number	Shape	Name	Quantity required for installation	Spare quantity
A		Hexagon socket screw (M6*20)	4	0
B		Hexagon socket pan head wood screw (7*38)	8	0
C		Hexagon socket screw (M6*70)	4	0
D		Hexagon socket screw (M6*40)	2	0
E		Transparent silicone pad	0	4
F		Wrench	1	0
G		Nut	2	0
H		Connector	2	0
I		Threaded Rubber Foot Nail	4	0
J				
K				