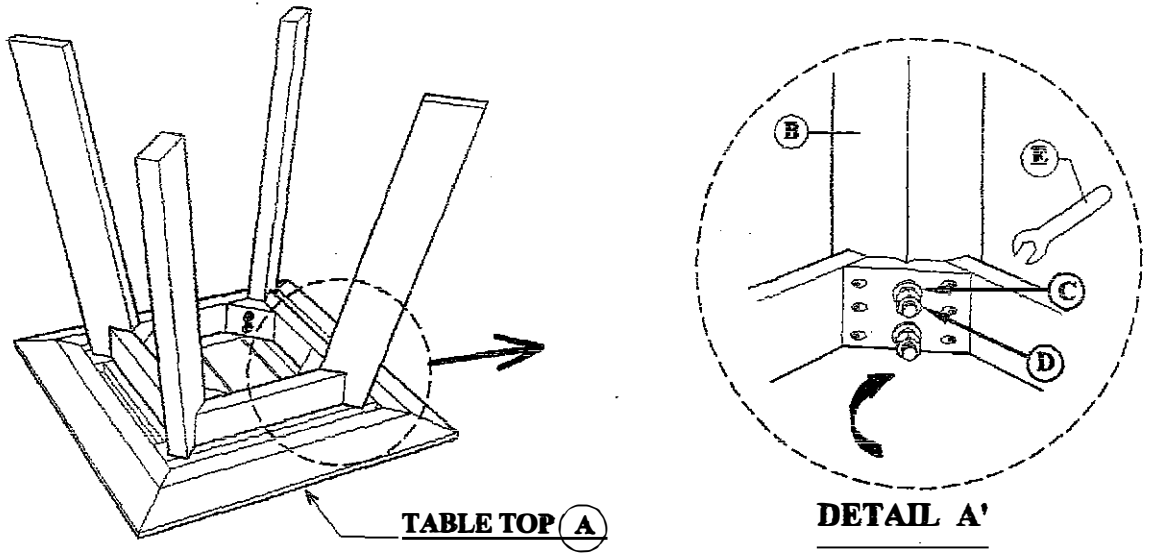
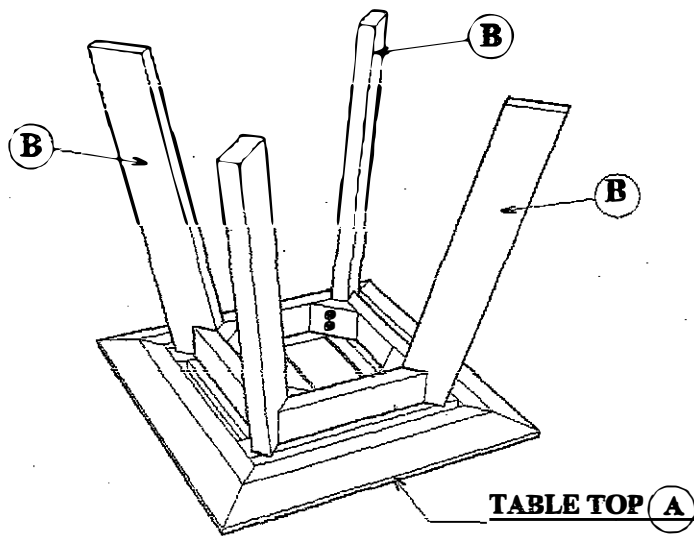


**ASSEMBLY INSTRUCTIONS**  
**TEAKWOOD SIDE TABLE (ATF24)**

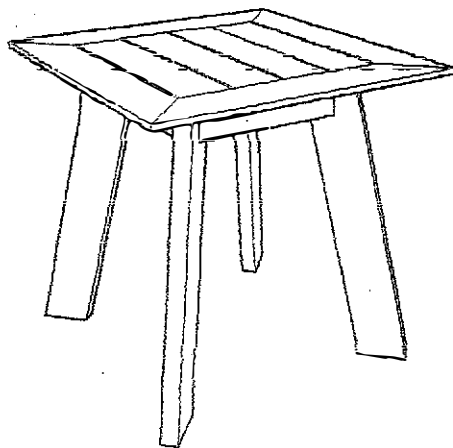
**STEP 1**



**STEP 2**

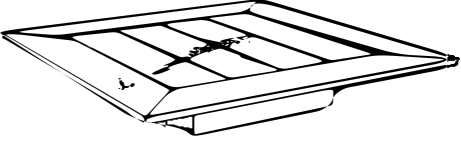
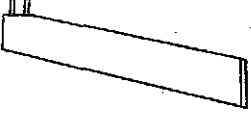

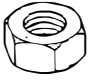
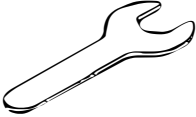


**STEP 3**



# ASSEMBLY INSTRUCTIONS

## TEAKWOOD SIDE TABLE (ATF24)

NO.	PARTS.	QTY.
A	<p style="text-align: center;"><b>TABLE TOP</b></p> 	1
B	<p style="text-align: center;"><b>LEGS.</b></p> 	4
C	<p style="text-align: center;"><b>RING</b></p> 	8
D	<p style="text-align: center;"><b>NUT</b></p> 	8
E	<p style="text-align: center;"><b>WRENCH</b></p> 	1