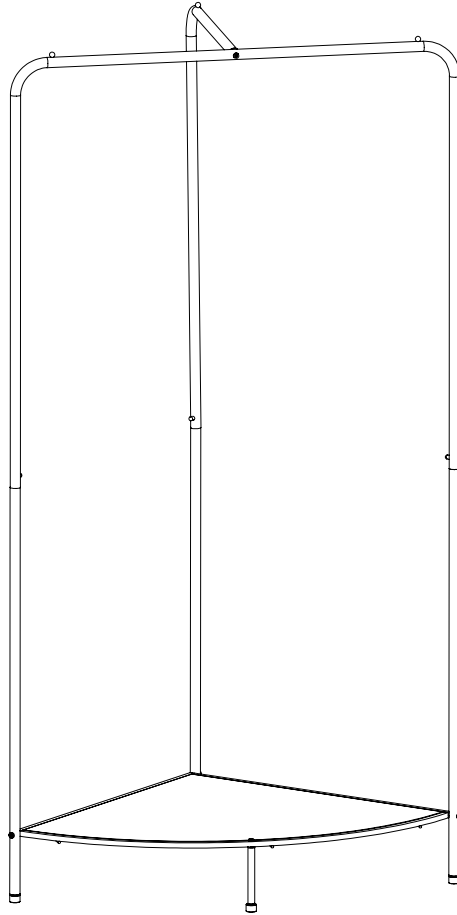




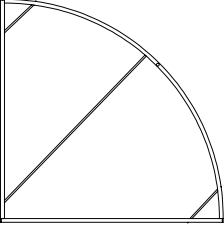

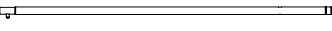
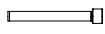
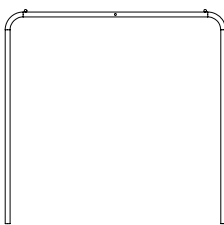
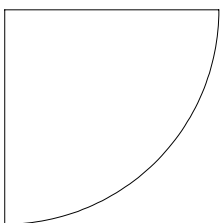
GAR-09849

corner garment rack

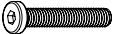

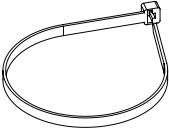

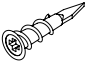




24 in L x 24.5 in W x 64 in H

PARTS LIST

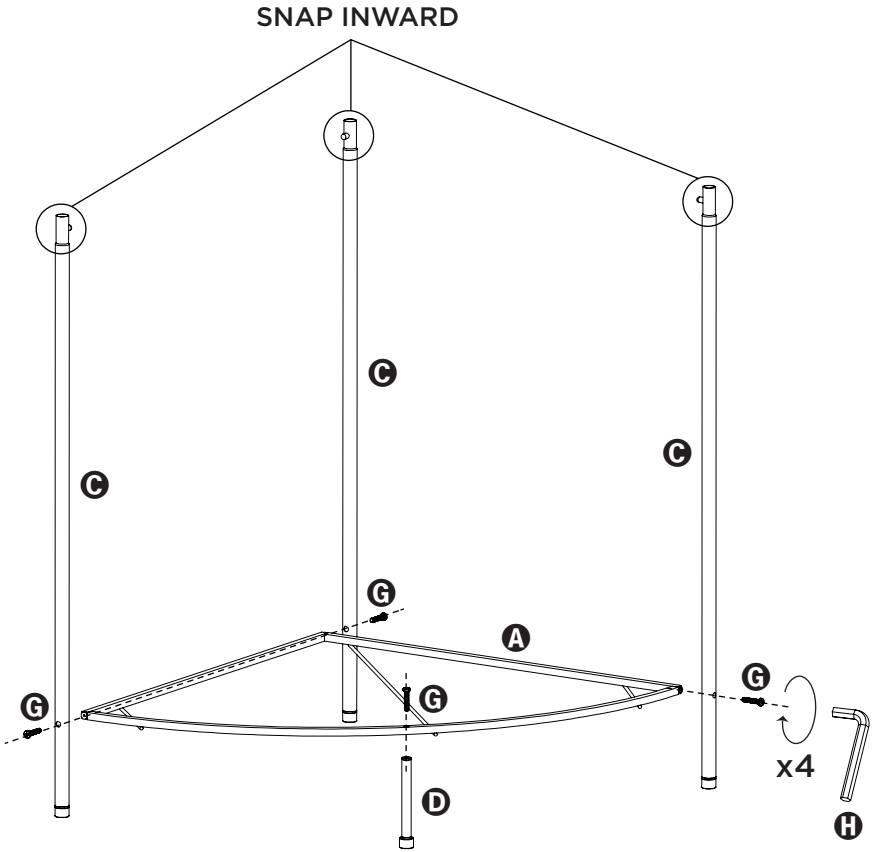
PART/ILLUSTRATION	(QTY)	DESCRIPTION
A 	(1)	bottom base
B 	(1)	top support bar
C 	(3)	middle support bar
D 	(1)	bottom support leg
E 	(1)	top support bar
F 	(1)	bottom shelf

PARTS LIST

PART/ILLUSTRATION	(QTY)	DESCRIPTION
G 	(5)	hex screws
H 	(1)	hex wrench
I 	(1)	strap
J 	(1)	long phillip screw
K 	(2)	wall anchors
L 	(2)	brackets
M 	(1)	short phillip screw

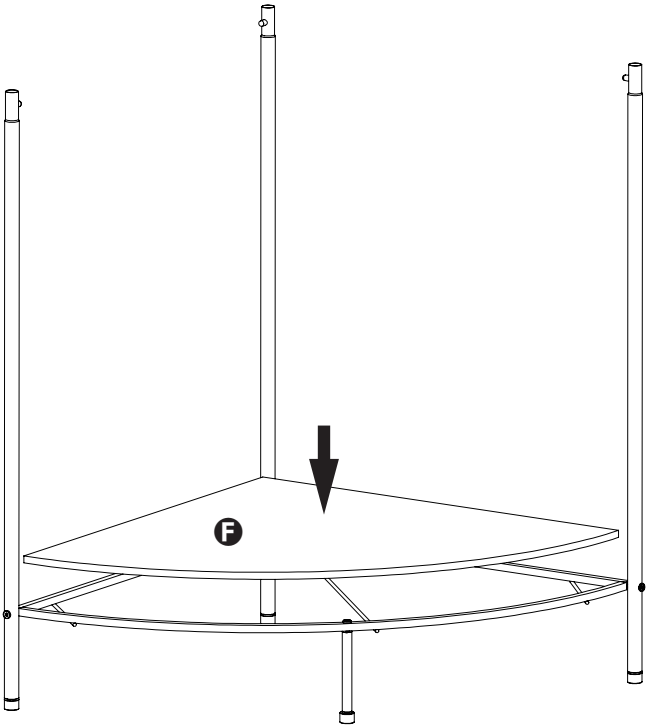
ASSEMBLY

1



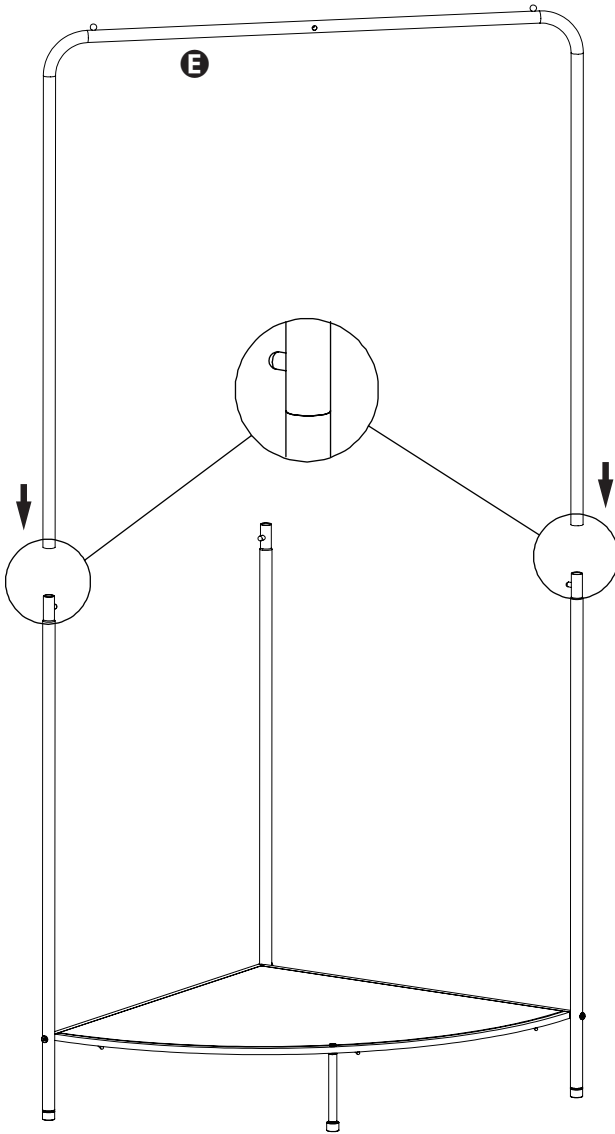
ASSEMBLY

2



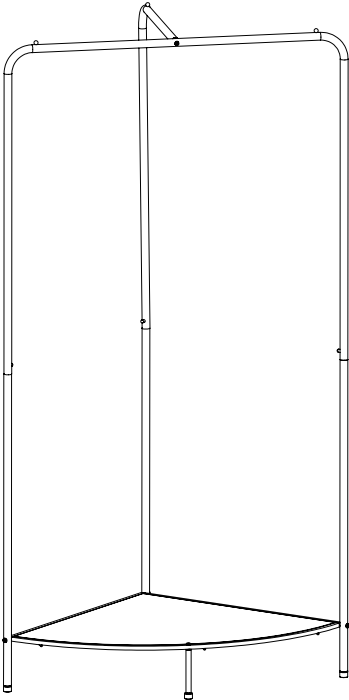
ASSEMBLY

3

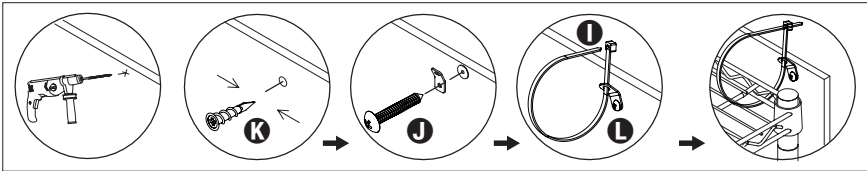


ASSEMBLY

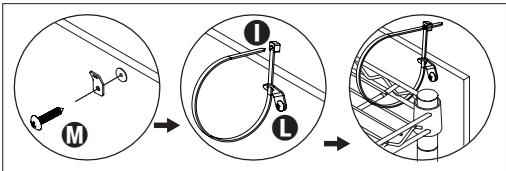
4 ANTI-TIP WALL MOUNT



PLASTER WALL



WOODEN WALL





honey•can•do

Honey-Can-Do International

5300 St. Charles Road, Berkeley, IL 60163 USA

877.242.2636 | honeycando.com | support@honeycando.com

©2023 Honey-Can-Do International, LLC | All Rights Reserved

Visit [youtube.com/myhoneycando](https://www.youtube.com/myhoneycando) to watch our assembly videos.