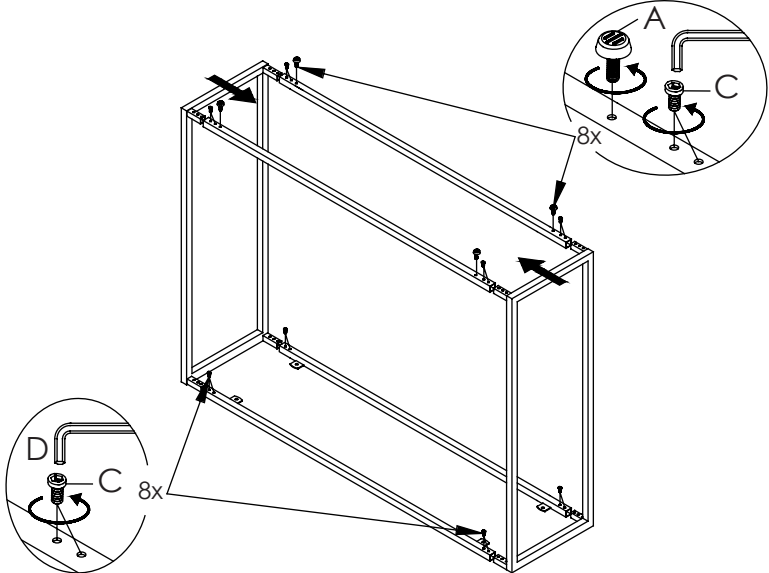


PLEASE NOTE: Check that you have received all components and hardware before assembling.

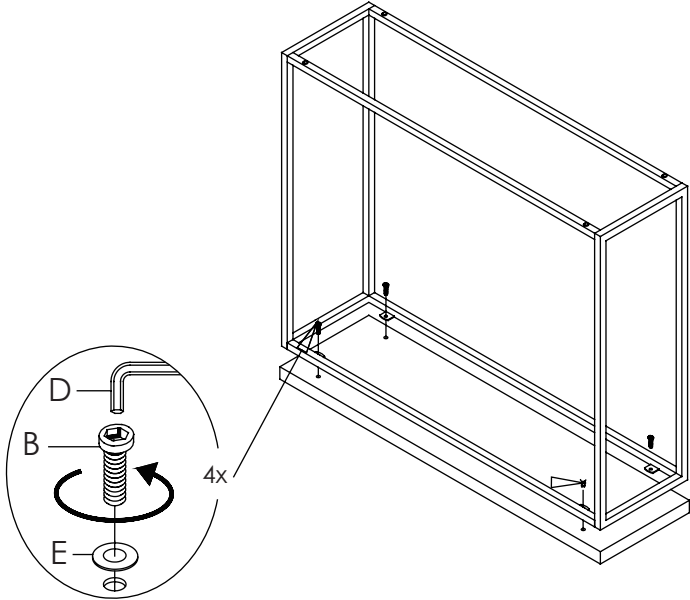
# Assembly Instructions Console Table



1



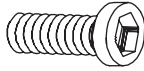
2



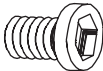
During assembly, hand tighten screws only. When all screws are in place, then tighten completely.



A (4 pcs)  
M6 X 35mm



B (4 pcs)  
M6 x 20mm



C (16 pcs)  
M6 x 10mm



D (1 pc)  
M4mm



E (4 pcs)  
M6 x 18mm