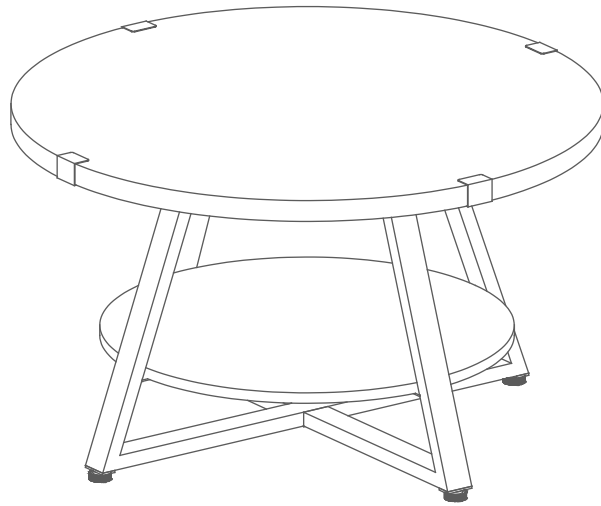
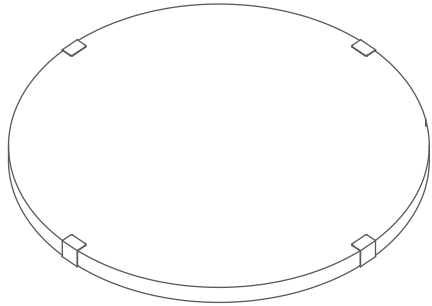


ASSEMBLY INSTRUCTION FOR GTT001

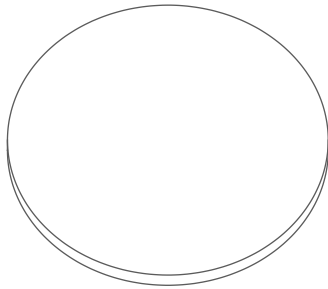


1



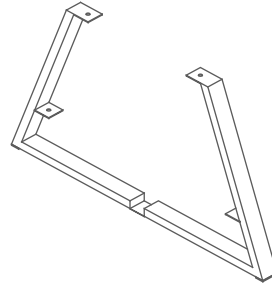
1PC

2



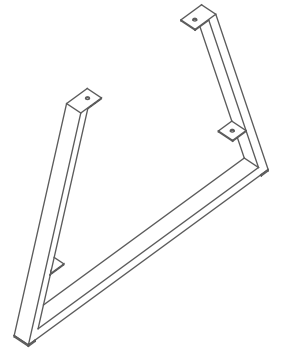
1PC

3



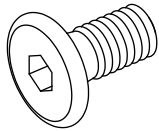
1PC

4



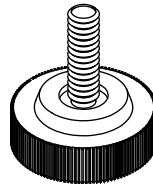
1PC

A

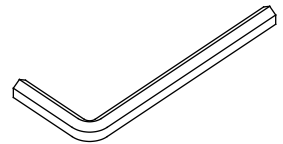


M6x12mm
8PCS

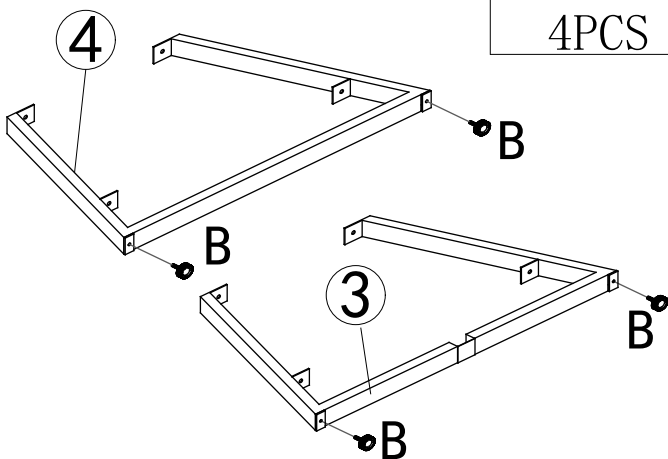
B



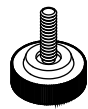
4PCS



Step1

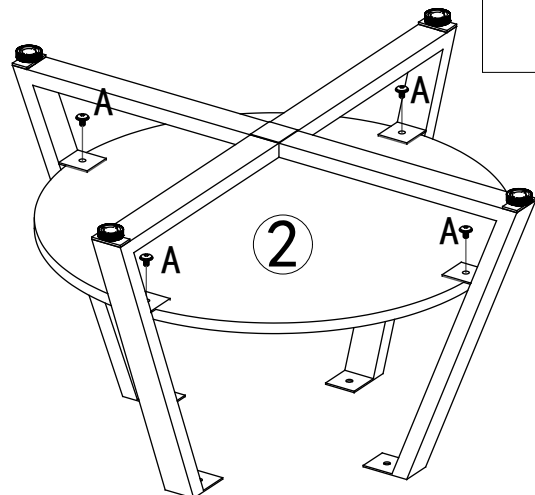


B

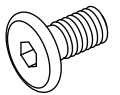


4PCS

Step2



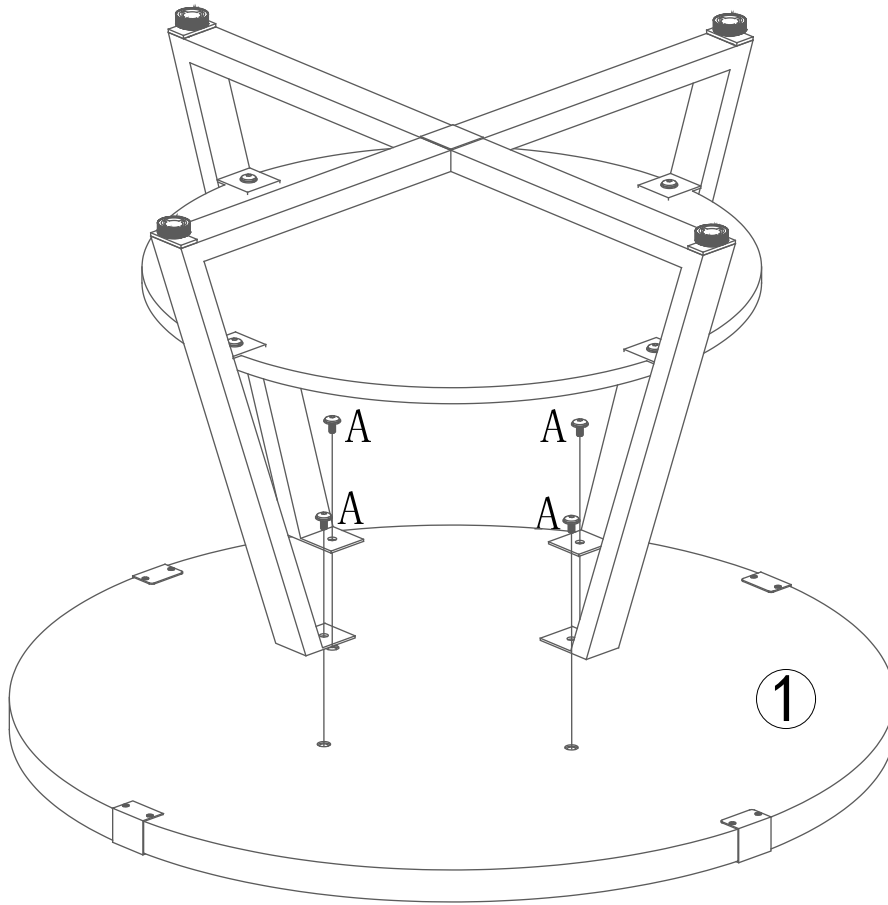
A



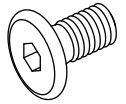
4PCS

ASSEMBLY INSTRUCTION FOR GTT001 P2

Step3



A



4PCS

Step4

