

# ASSEMBLY INSTRUCTIONS

## 30" Stool

### ASSEMBLY REQUIREMENTS

45 Minutes  
Assembly Time  
(Approximate)

2-Person  
Assembly

Tools Required  
(Not Provided)



Phillips Screwdriver

### Thank you for purchasing our product!

Please refer and use this assembly instruction to assemble the product. Contact our customer service department in case there are any missing or damage parts or hardware. Replacement parts are normally shipped within 2 or 3 days.

We appreciate your business!



### ASSEMBLY PREPARATION

1. Remove all packaging materials, staples and packing straps from the carton.
2. Refer to Parts List and Hardware List, and ensure parts and hardware are complete before assembly.
3. Contact customer service for missing parts.
4. Place all wooden parts on a clean, flat and soft surface (e.g. carpet or rug) to prevent parts from getting scratched.

### SAFETY PRECAUTION

1. KEEP ALL HARDWARE PARTS OUT OF REACH OF CHILDREN.
2. DISPOSE PLASTIC PACKAGING MATERIAL IMMEDIATELY TO AVOID ANY RISK OF SUFFOCATION TO CHILDREN AND ANIMALS.

### TIPS FOR ASSEMBLY

1. Allow ample room for assembly and in close proximity to where product will be placed.
2. Assemble the product on a surface that does not scratch or damage the exterior gloss and finish of the furniture.
3. Identify all of the parts, hardware and quantities required for each step.
4. During assembly, do not over-tighten any fittings as this may cause damage.
5. DO NOT USE POWER TOOLS TO ASSEMBLE THIS PRODUCT.
6. Always place the product on a flat, level surface.
7. Do not sit or stand on the partially assembled product; only use the product for which it is intended.

### CARE AND MAINTENANCE

- Use a slightly damp cloth to clean the product. Do not use bleach or abrasive cleaning material.
- Check all the fittings periodically and re-tighten as necessary. Do not use the product if any of the parts is damaged or broken.
- Never allow any kind of liquid to remain on your furniture. Absorption can cause wood to warp or delaminate.
- Do not place hot items (e.g. hot drinks) directly onto the wood surface.
- Do not drag and/or pull the furniture.

This product is for indoor and household use only - not for commercial use.

# ASSEMBLY INSTRUCTIONS

## 30" Stool

### PART LIST (FOR 2 CHAIR)

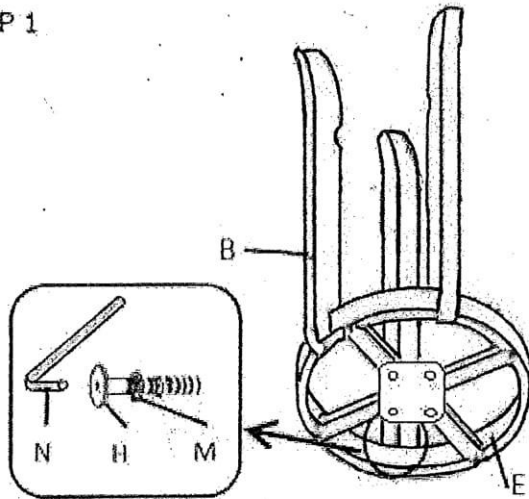
NO.	DESCRIPTION	QTY.
A	BACK FRAME	2 PCS
B	LEG	3 PCS
C	CUSHION SEAT	2 PCS
D	TOP FRAME	2 PCS
E	BOTTOM FRAME WITH SWIVEL PLATE	2 PCS
F	LEG SUPPORT	2 PCS

### HARDWARE LIST (FOR 2 CHAIR)

NO.	HARDWARE LIST	QTY.	EXTRA
H	JCBC BOLT M6 X 35MM	18 PCS	1 PC
I	JCBC BOLT M6 X 45MM	3 PCS	1 PC
J	JCBC BOLT M6 X 20MM	3 PCS	1 PC
K	CSK SCREW M4 X 32MM	3 PCS	1 PC
L	M6 FLAT WASHER	16 PCS	1 PC
M	M6 SPRING WASHER	44 PCS	1 PC
N	ALLEN KEY	1 PC	

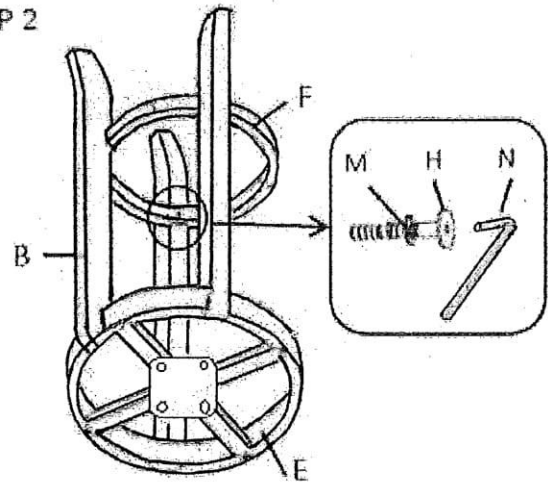
\* Extra Hardware For Spare Use

#### STEP 1



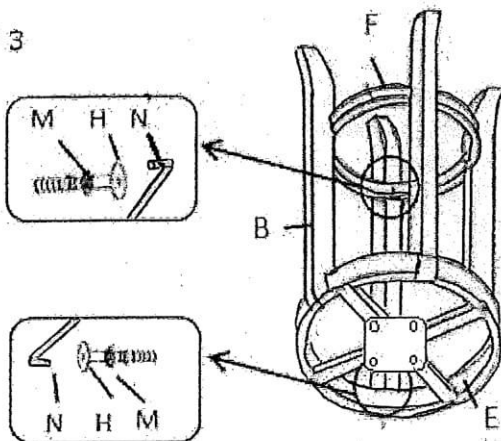
- Place 3x Leg (B) against Bottom Frame (E), and align the bolt hole on (B) to the respective hole on (E).
- Use Bolt (H) fitted with Spring Washer (M) to fasten (B) to (E). Use Allen Key (N) to drive the bolt. Do not tighten the bolts completely at this time.

#### STEP 2



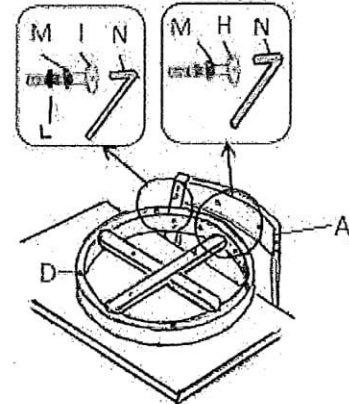
- Fit Leg Support (F) between the 3 legs, and align the bolt hole on (F) to bolt hole on each respective leg.
- Use Bolt (H) fitted with Spring Washer (M) to fasten (B) to (F). Use Allen Key (N) to drive the bolt. Do not tighten the bolts completely at this time.

#### STEP 3



- Install the Fourth Leg to Bottom Frame (E) and Leg Support (F), using Bolt (H) fitted with Spring Washer (M) to fasten (B) to (E & F). Use Allen Key (N) to drive the bolt. Do not tighten the bolts completely until both bolts are in place on the fourth leg.
- Tighten all the bolts on the other leg completely at this time.

#### STEP 4

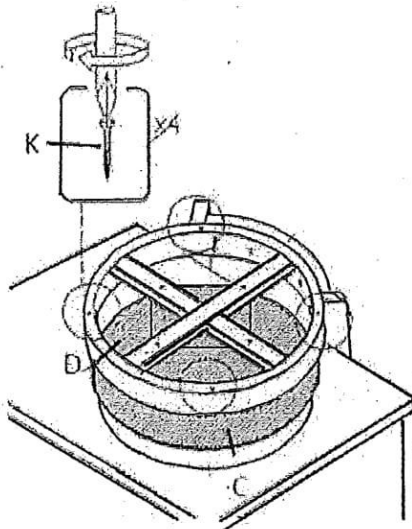


- Place Top Frame (D) on an elevated surface.
- Position Back Frame (A) to align the bolt holes on (A) to the bolt holes on (D).
- Use Bolt (H & I) fitted with Spring Washer (M) to fasten (D) to (A). Use Allen Key (N) to drive the bolts.

# ASSEMBLY INSTRUCTIONS

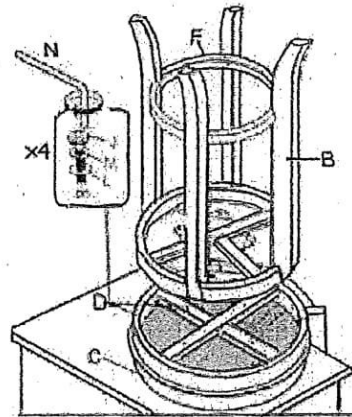
## 30" Stool

### STEP 5



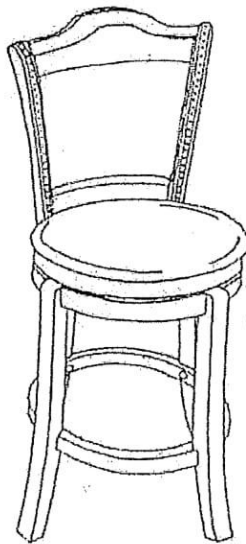
- Place Cushion Seat (C) bottom-side on an elevated surface.
- Position Top Frame (D) from STEP 4 to center on (C).
- Use Screw (K) to fasten (C) to (D).

### STEP 6



- Place the assembly from STEP 3 bottom-side up as shown over Top Frame (D).
- Align the bolt holes on the swivel plate to the bolt holes on cross-rail of Top Frame (D).
- Use Bolt (J) fitted with with Spring Washer (M) and Flat Washer (L) to fasten Swivel Plate to cross-rail on (D). Use Allen Key to drive the bolts.
- Place the stool right-side up.

### STEP 7



The assembly of the stool is complete