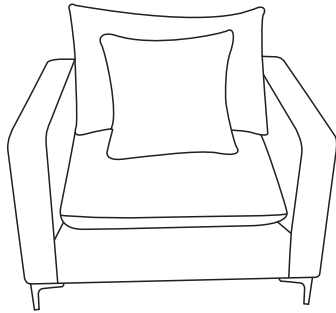
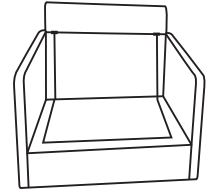


ASSEMBLY INSTRUCTION

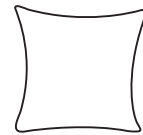


+ Parts Included

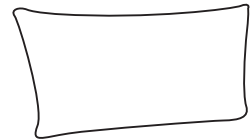
① CHAIR BASE
1PC



② PILLOW
1PC



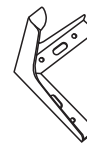
③ BACK CUSHION
1PC



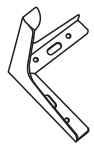
④ SEAT CUSHION
1PC



⑤ GOLD LEG
4PCS



⑥ CHROME LEG
4PCS



+ Hardware Included

A ALLEN WRENCH
Ø5/16 *66MM 1PC



B BOLT
M8*35MM 8PCS



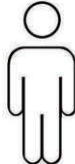
C WASHER
M8*16MM 8PCS



+ **Do Not Use
Power Tools**



+ **Suggested
Adults**



NOTE:

- 1 Read instructions cover to cover.
- 2 Save all packaging until assembly is completed.

1 **IMPORTANT SAFETY INFORMATION**

Do not assemble the product if any of the following parts arrived damaged:

- Part # - Chair Base
- Part # - Pillow
- Part # - Back cushion
- Part # - Seat cushion
- Part # - Gold leg
- Part # - Chrome leg

Do not assemble if any of the following

Hardware parts missing:

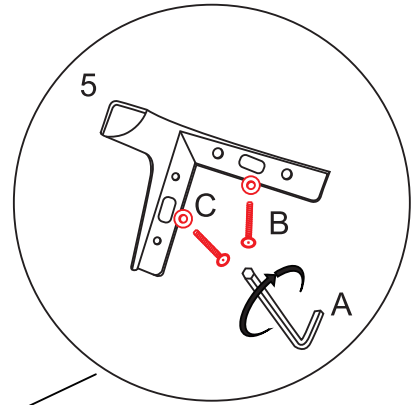
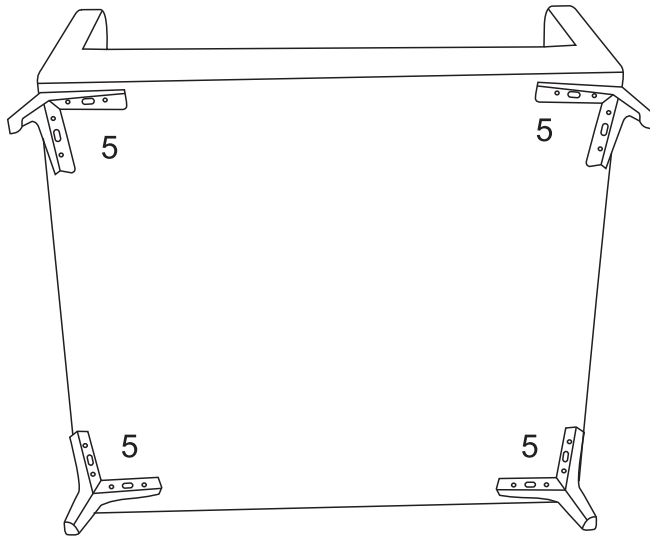
- Part # - Allen Wrench
- Part # - Bolt
- Part # - Washer

2 **IMPORTANT ASSEMBLY INFORMATION**

Assembly Step If loosening persists, please make sure to tighten all the bolts periodically, or use a thread locker adhesive.

ASSEMBLY INSTRUCTION

1



2

