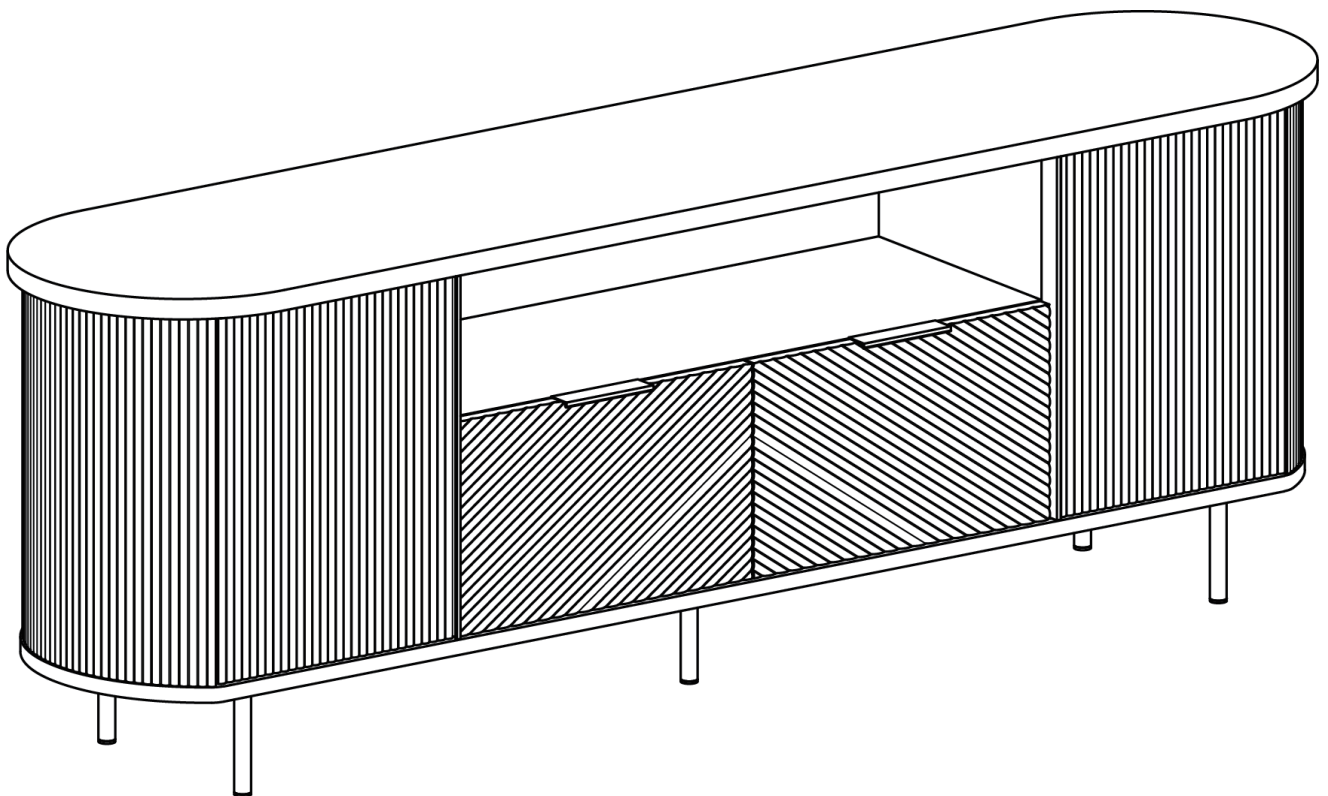


OWNER MANUAL

TV Stand



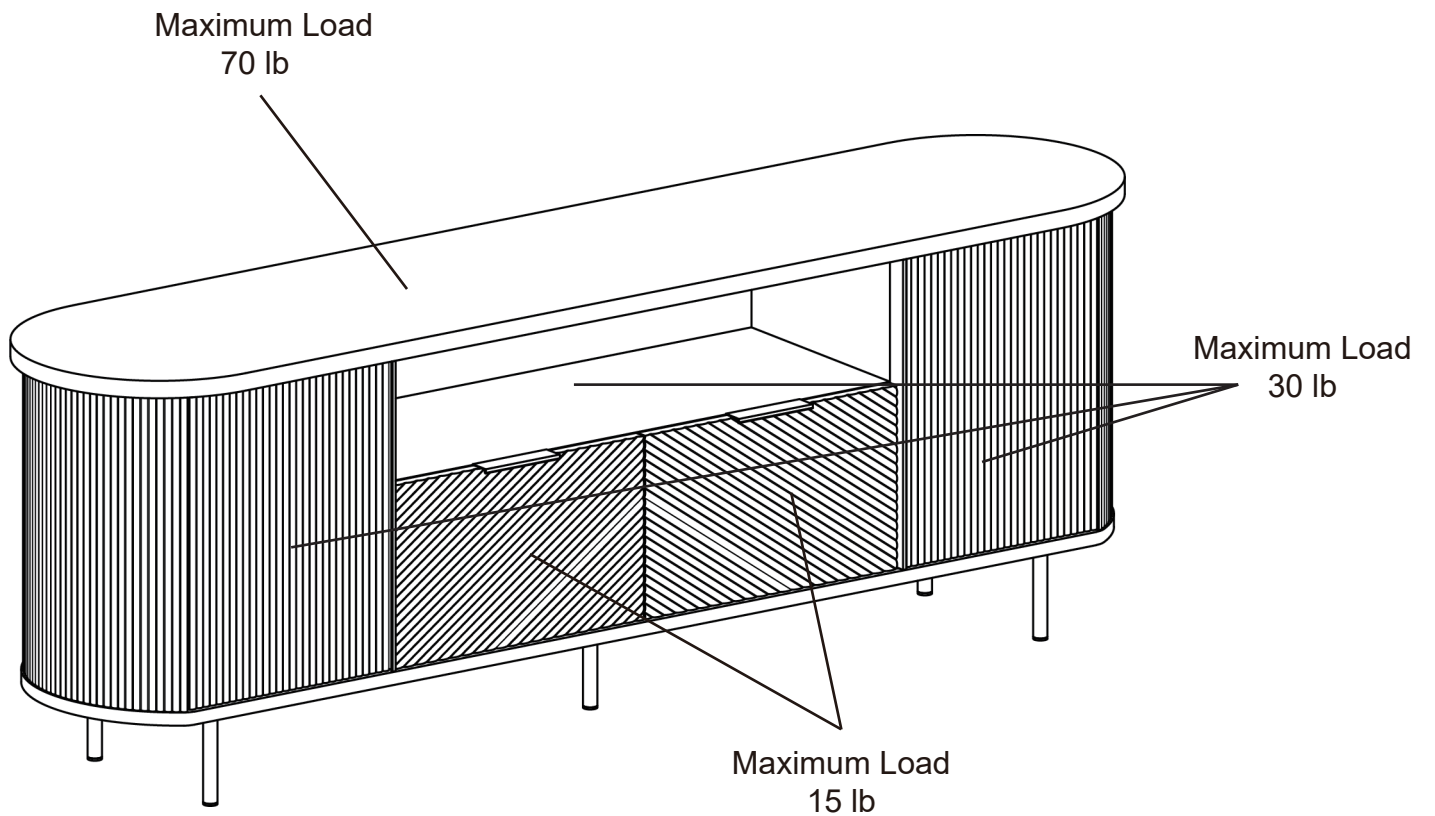


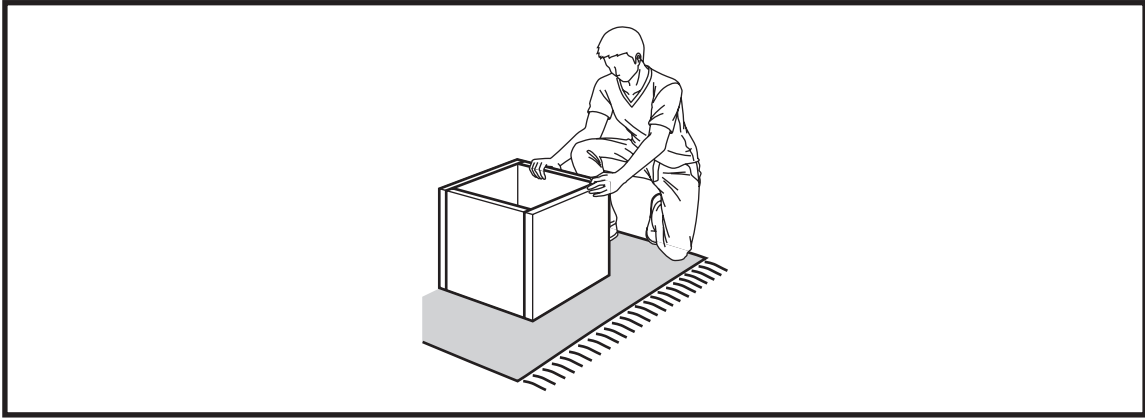
Estimated time for assembly:

90 mins



Weight limitations are as follows:

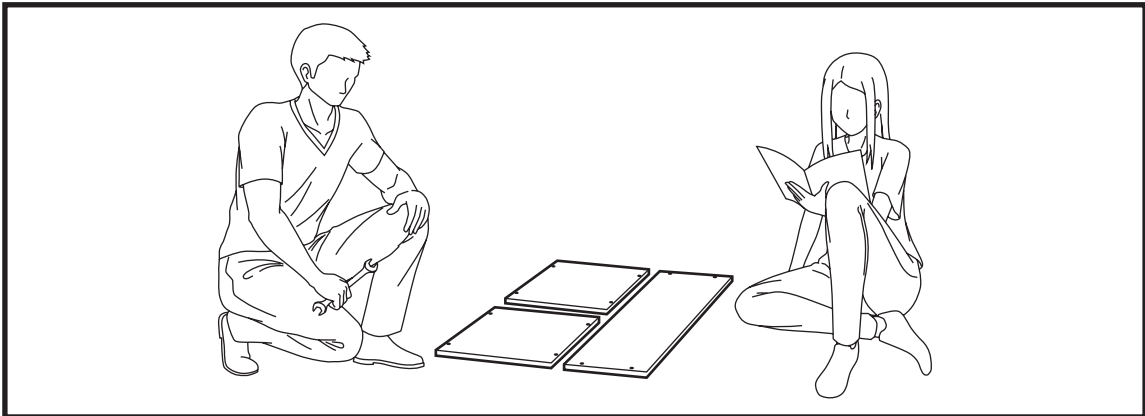




Assemble the furniture on an empty carton, carpet, or rug to prevent scratches or damage.

For safety, please keep pets and children away from the assembly area.

Ensure the product is fully assembled before use. If you are missing any hardware or products, do not use it until you have restored the missing parts.



This furniture requires 2 people for assembly.

Read this instruction manual prior to assembly to familiarize yourself with the various steps.

Lay out all components and hardware separately on a flat surface and make sure that no parts are missing or damaged before assembly. Do not destroy or discard any packaging until you are certain that you have all the necessary parts for assembly.

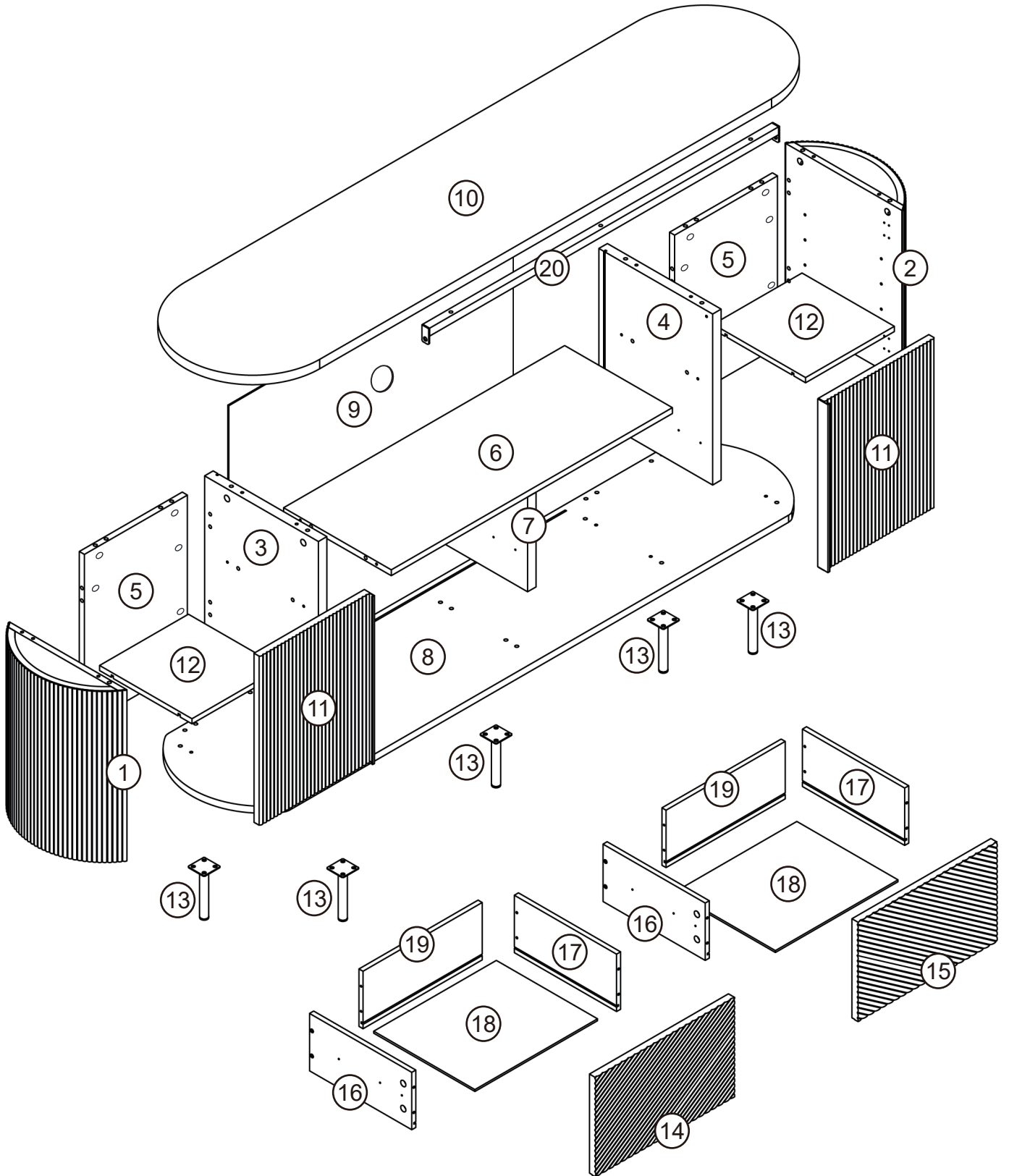
Hand tight all hardware and careful not to over tighten to avoid damaging the product.

CAUTION

There are small components used in the construction of this product. Loose items should be kept away from pets and children to avoid a choking hazard.

Keep all plastic bags and packaging film away from pets and children to avoid suffocation.

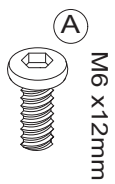
PACKAGE CONTENTS



PACKAGE CONTENTS

CODE	DESCRIPTION	QTY
1	Left Lateral Block	1
2	Right Lateral Block	1
3	Left Medial Panel	1
4	Right Medial Panel	1
5	Side Back Panel	2
6	Center Panel	1
7	Divider Panel	1
8	Bottom Panel	1
9	Center Back Panel	1
10	Top Panel	1
11	Cabinet Door	2
12	Storage Shelf Panel	2
13	Leg	5
14	Left Drawer Front Panel	1
15	Right Drawer Front Panel	1
16	Drawer Left Panel	2
17	Drawer Right Panel	2
18	Drawer Bottom Panel	2
19	Drawer Back Panel	2
20	Crossbar	1

PACKAGE CONTENTS



22x +2



3x



24x +2



8x



8x



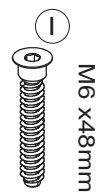
34x +3



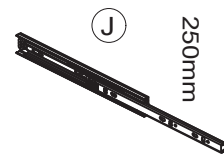
34x +3



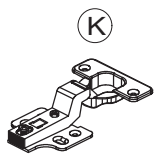
40x +4



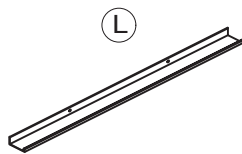
14x +1



2x



4x



2x



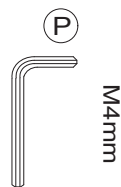
2x



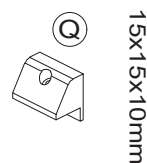
8x



34x +3



1x



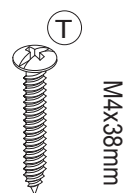
6x



6x



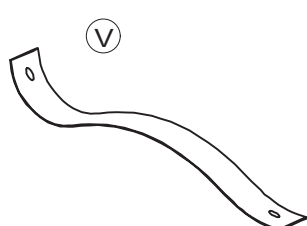
2x



2x



2x



2x



24x +2



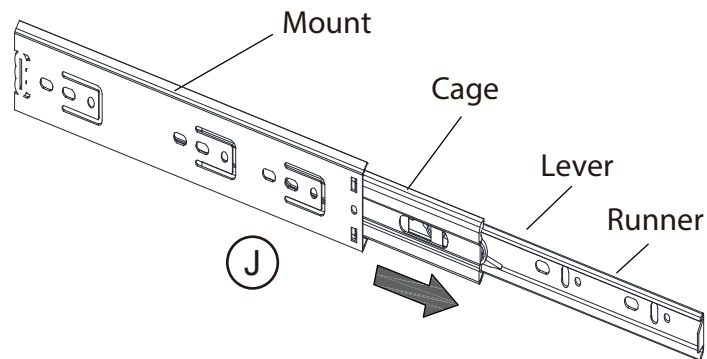
Install all hardware perpendicular to the opening.

INSTALLING DRAWER RUNNER TIPS:

- Runners must be separated before assembly.
- After separating the runner, set aside until needed for assembly.

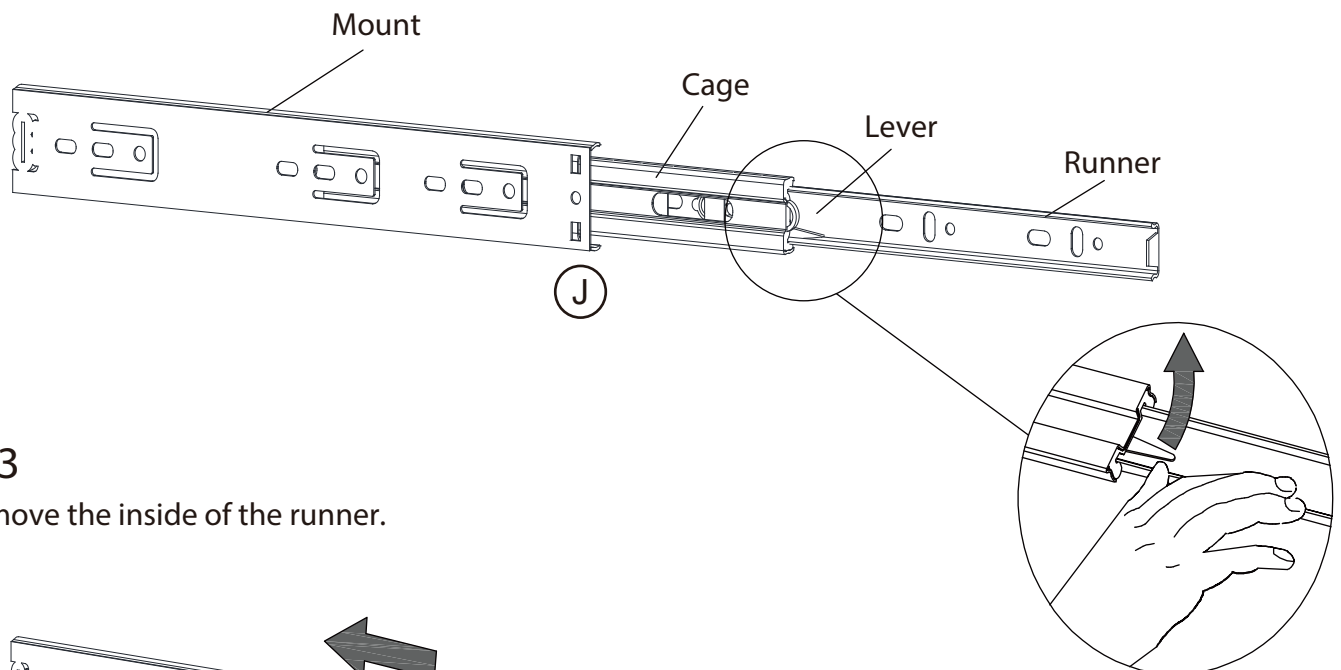
Step 1

- Fully extend the runner.



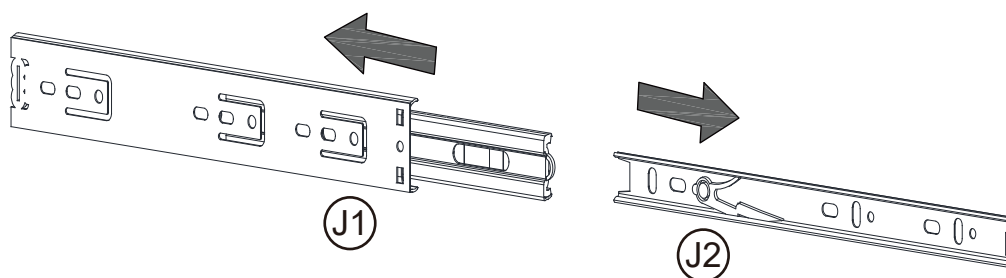
Step 2

- Push the lever up to release the inside of the runner.

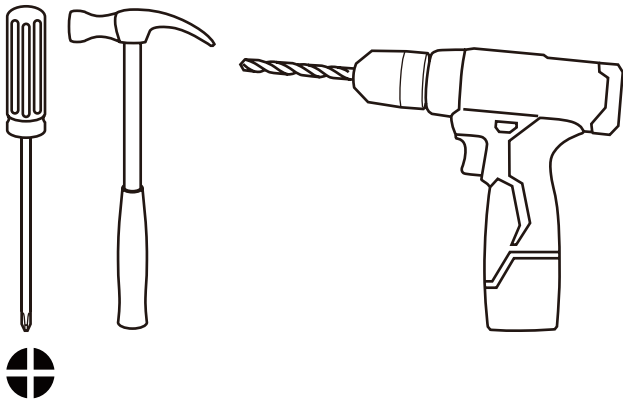


Step 3

- Remove the inside of the runner.



Required tools for assembly (Not included)



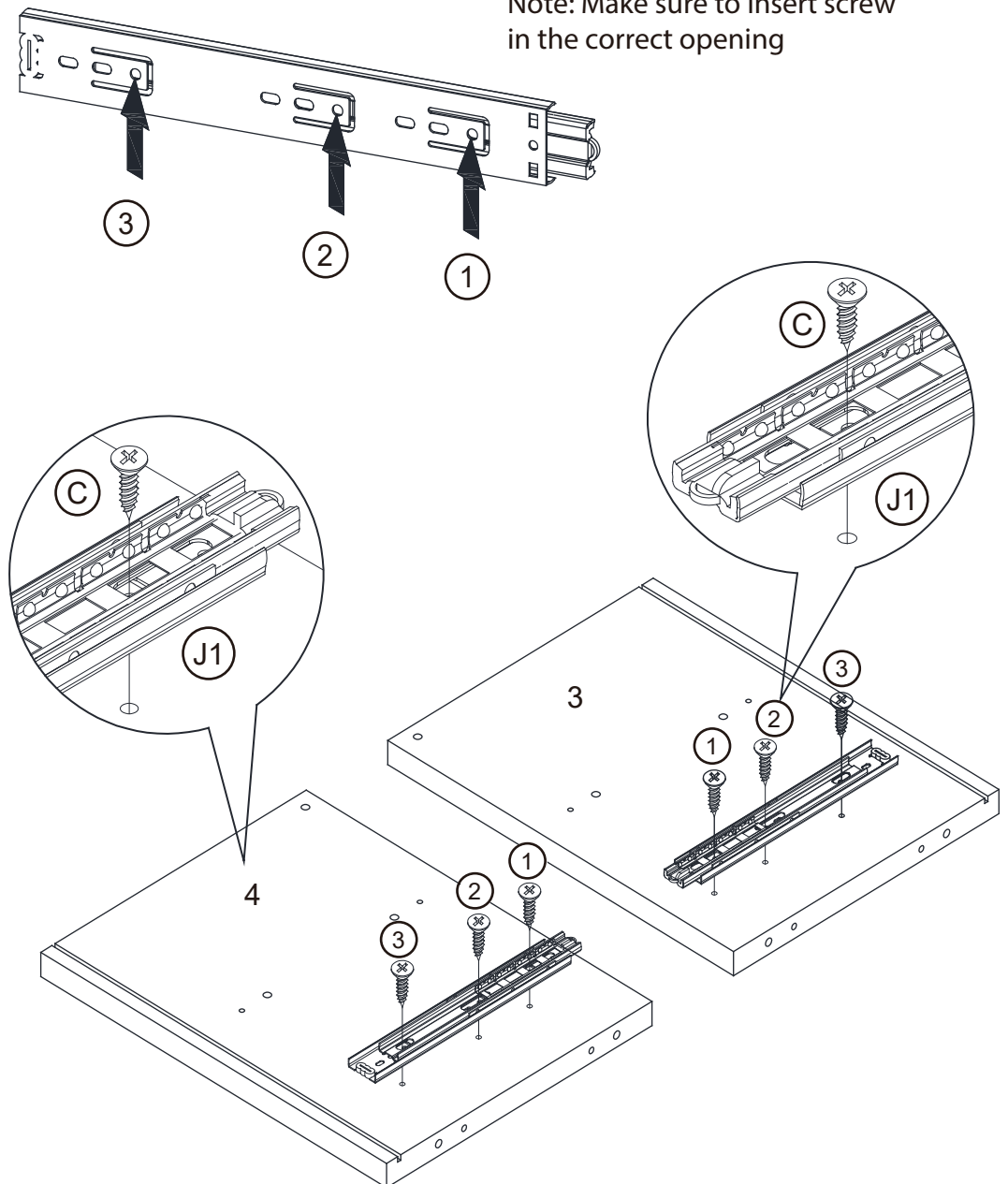
1

Attach slider brackets to the medial panels (3, 4).



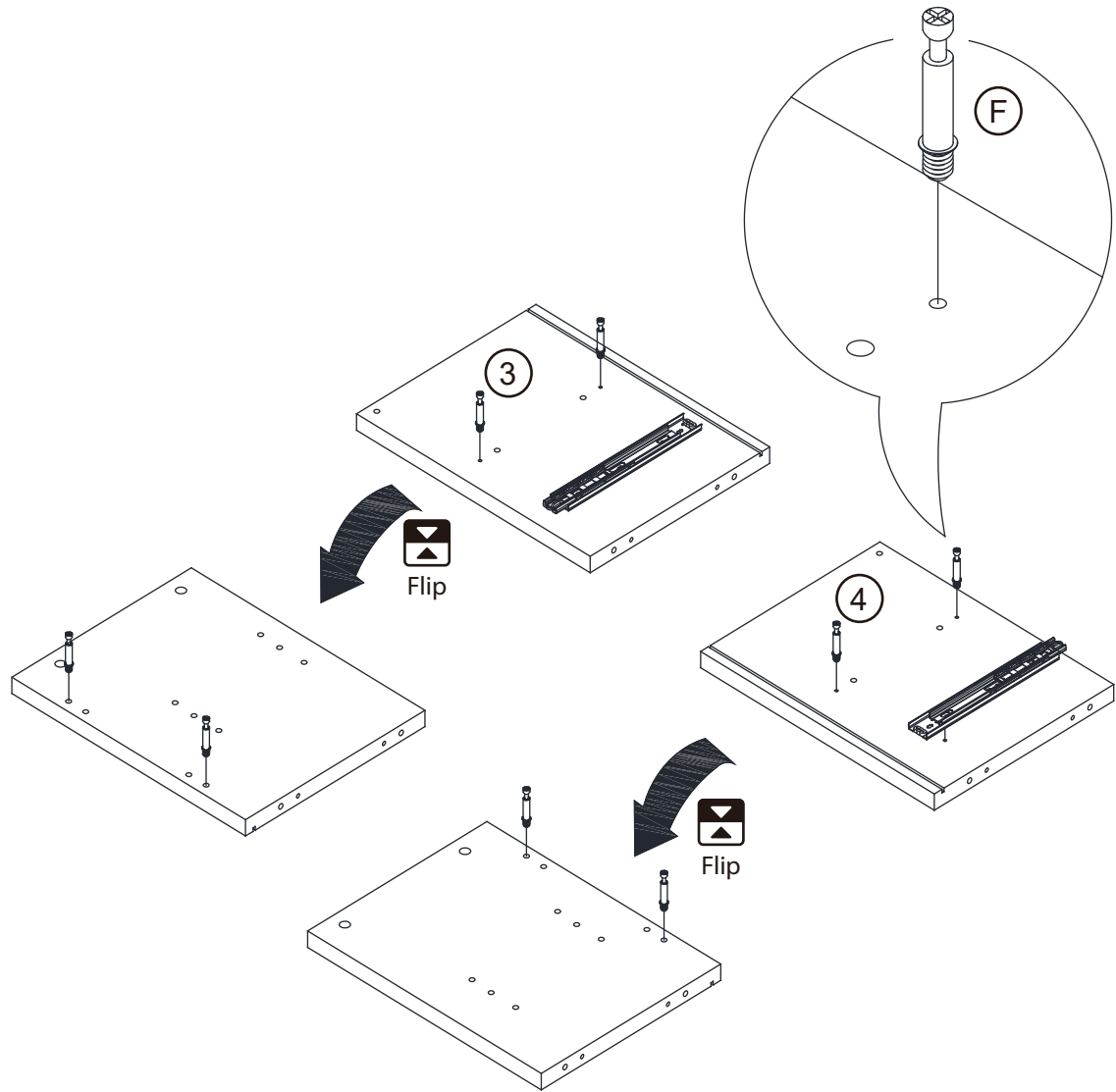
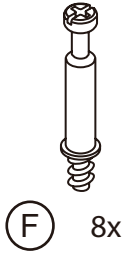
2x

Note: Make sure to insert screw in the correct opening



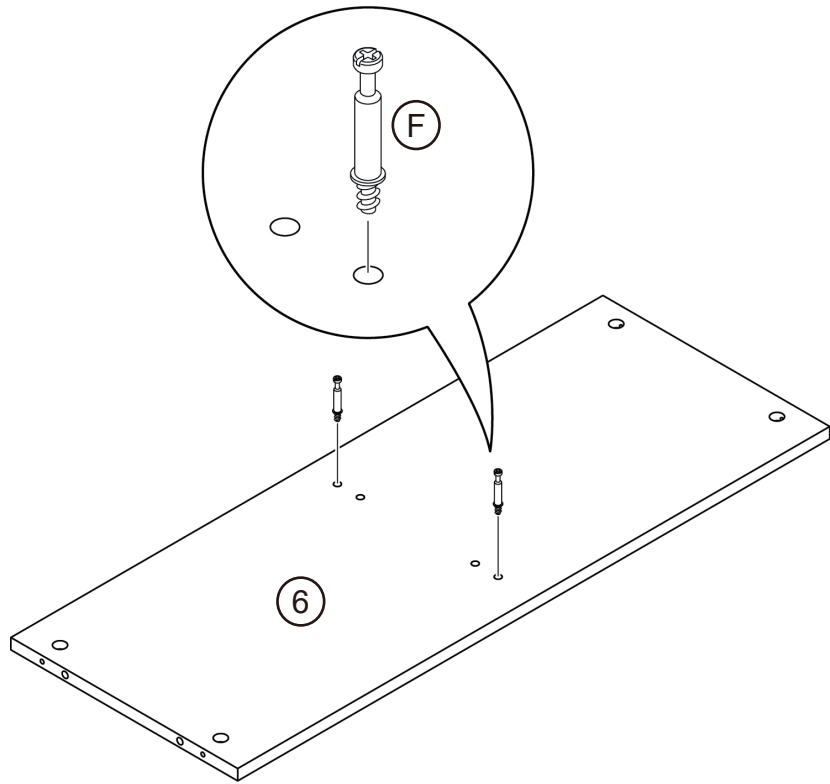
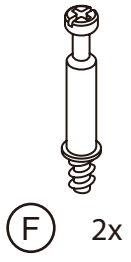
2

Attach cam bolts to both sides of the medial panels (3, 4).



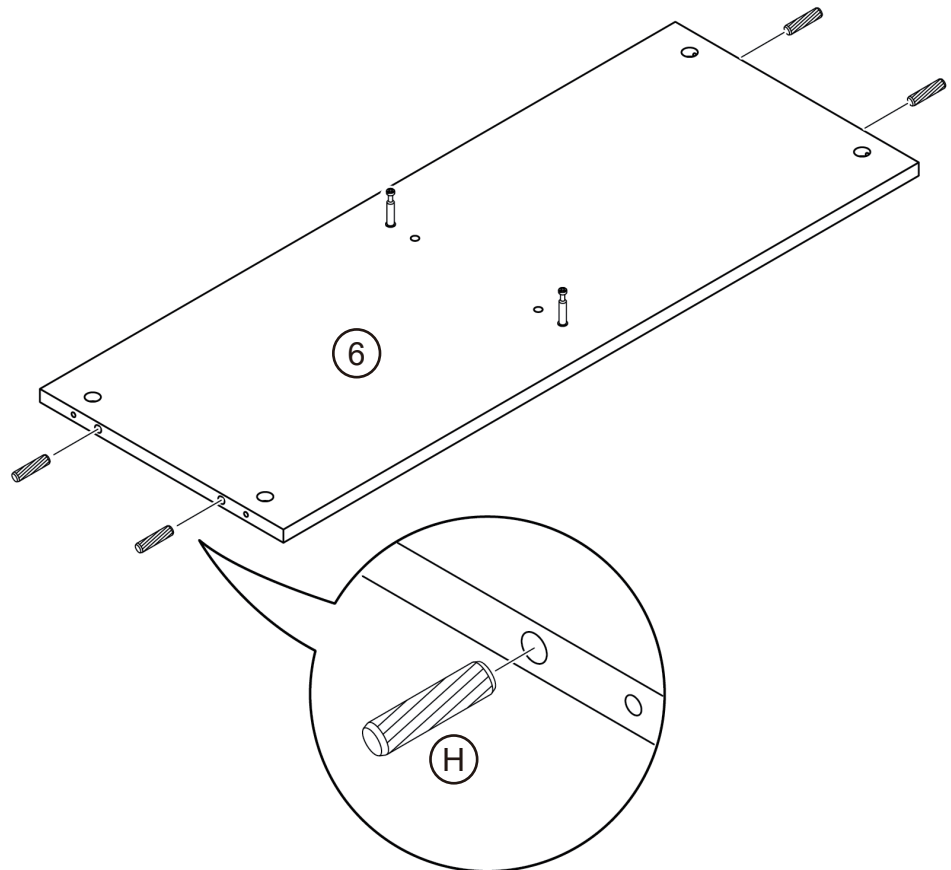
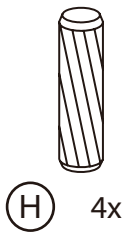
3

Attach cam bolts to the center panel (6).



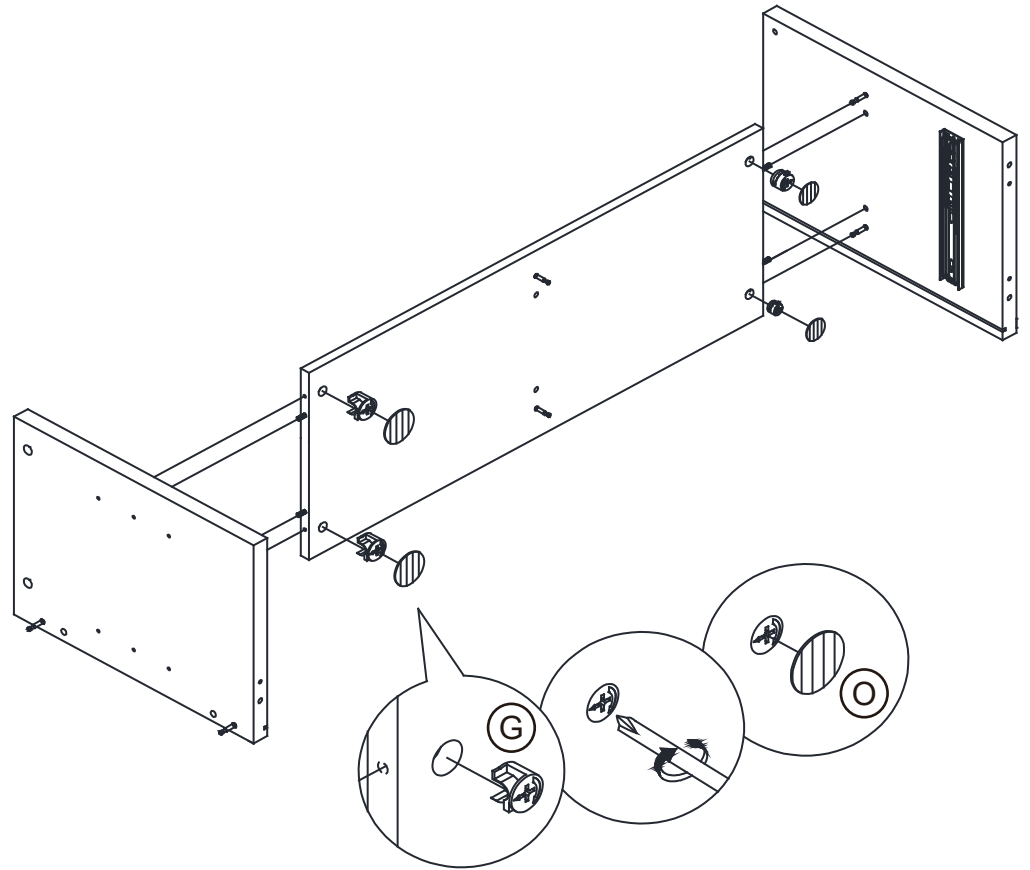
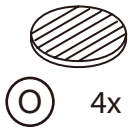
4

Insert wood dowels to the center panel (6).



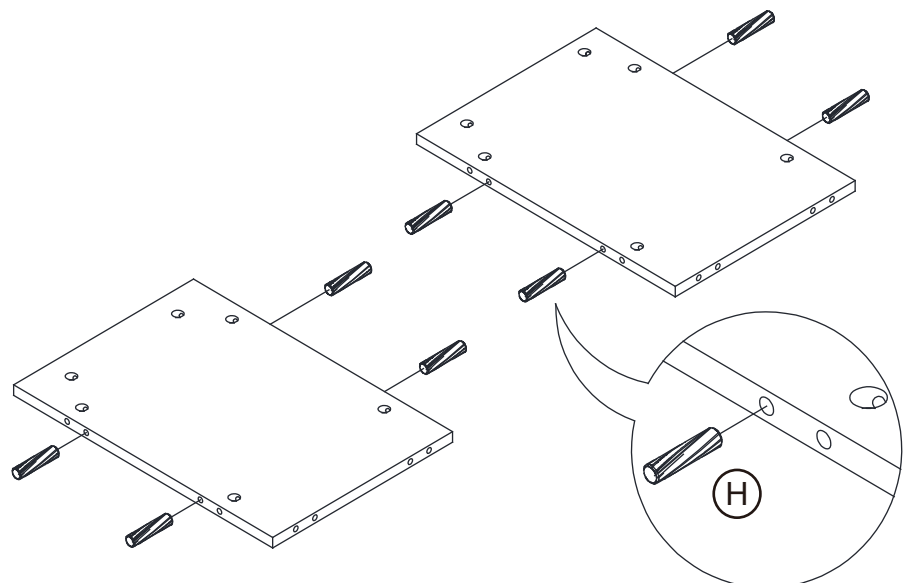
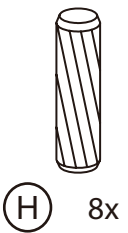
5

Assemble the center panel (6) between the medial panels (3, 4).



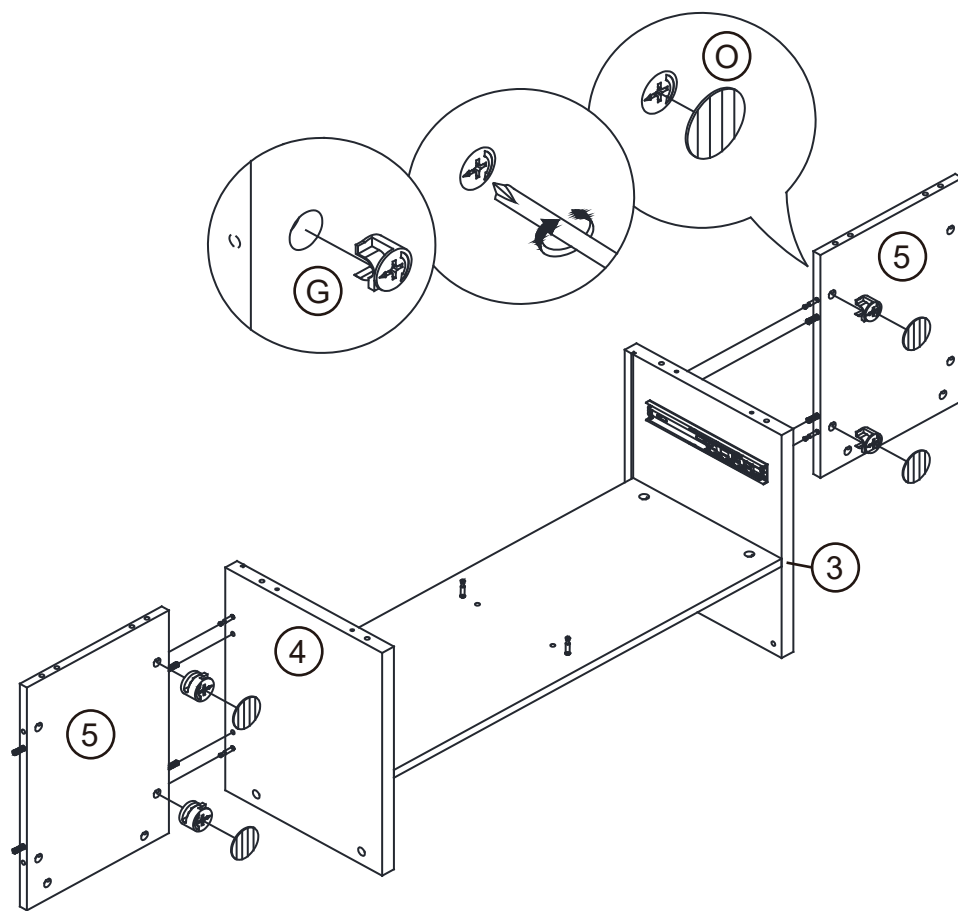
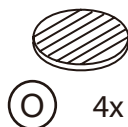
6

Insert wood dowels to the side back panels (5).



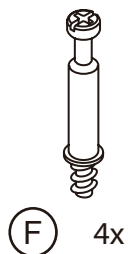
7

Assemble side back panels (5) to the medial panels (3, 4).



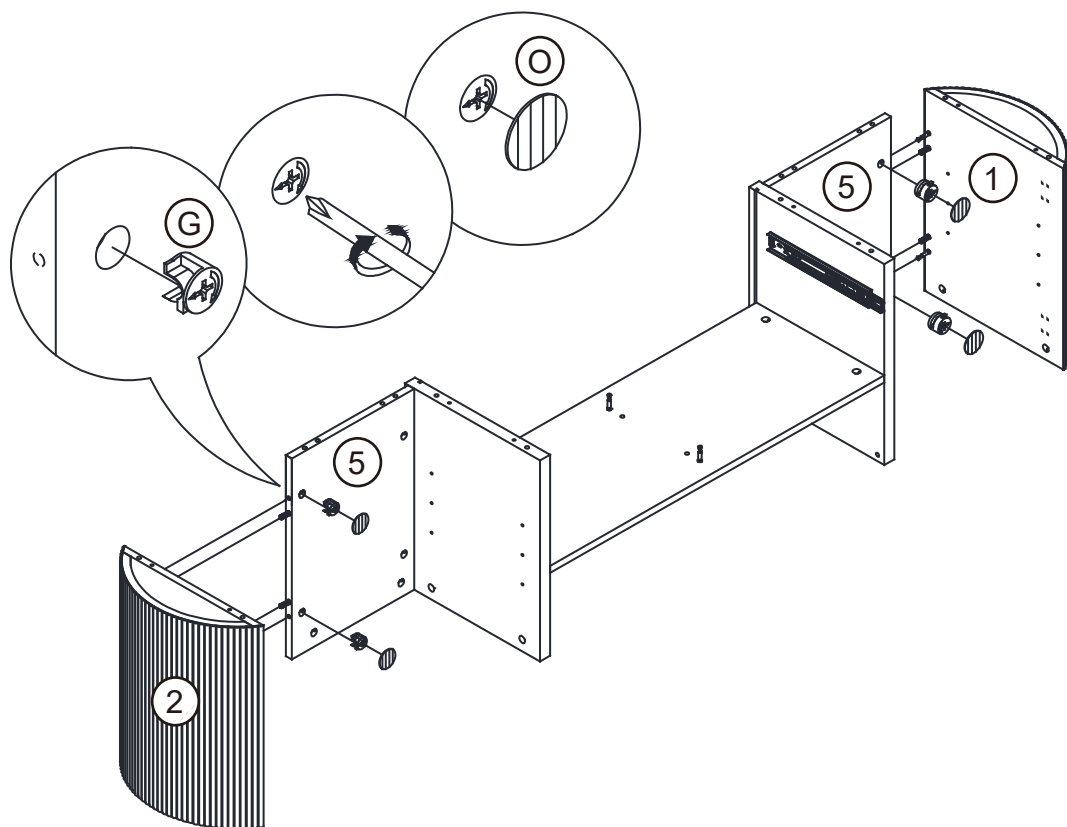
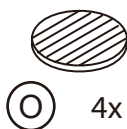
8

Attach cam bolts to the lateral blocks (1, 2).



9

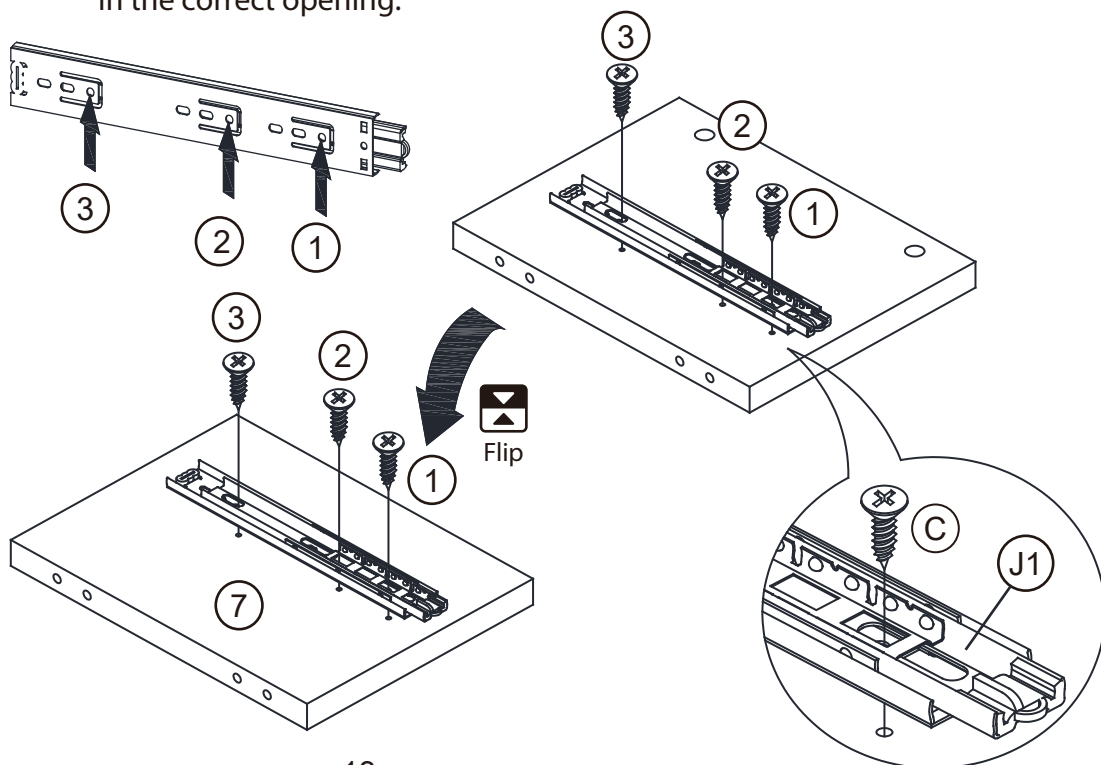
Assemble the lateral blocks (1, 2) to the end of each side back panels (5).



10

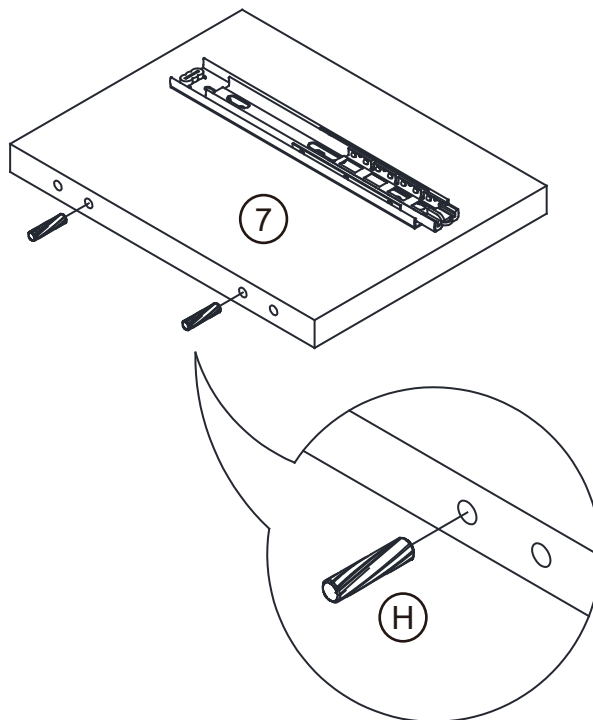
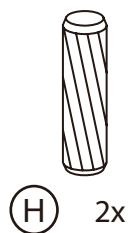
Attach slide rails to the divider panel (7).

Note: Make sure to insert screw in the correct opening.



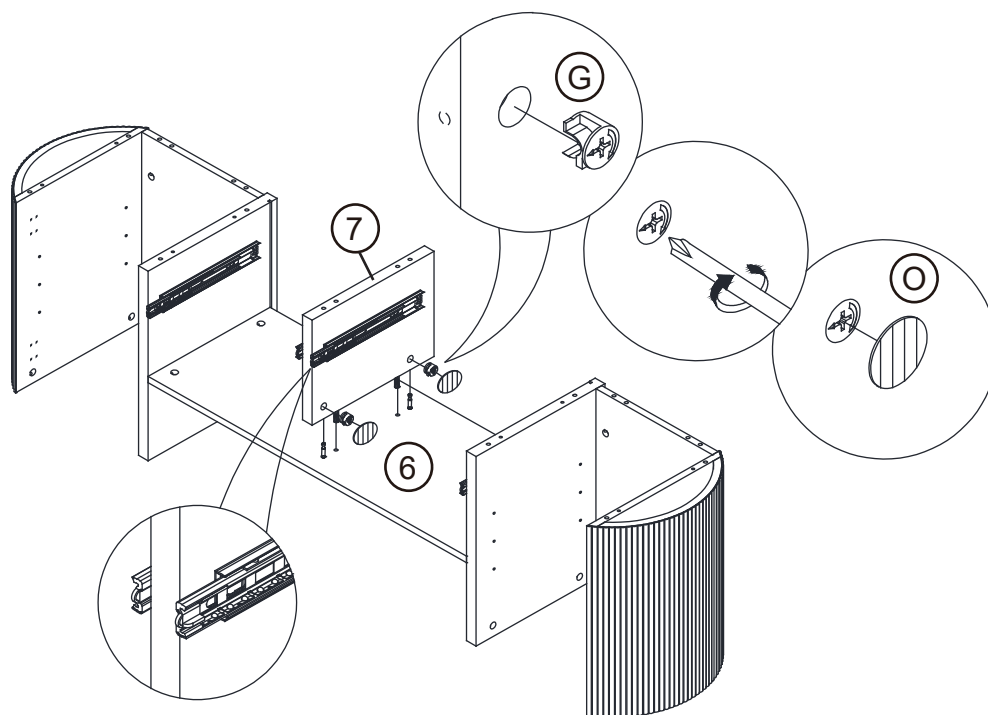
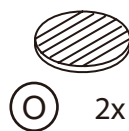
11

Insert wood dowels to the divider panel (7).



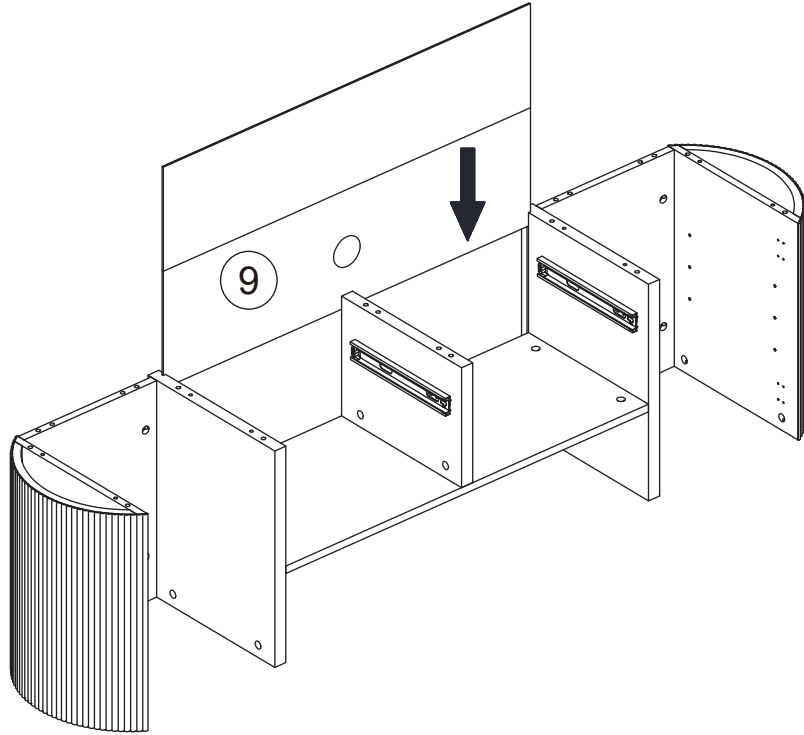
12

Attach the divider panel (7) to the center panel (6).



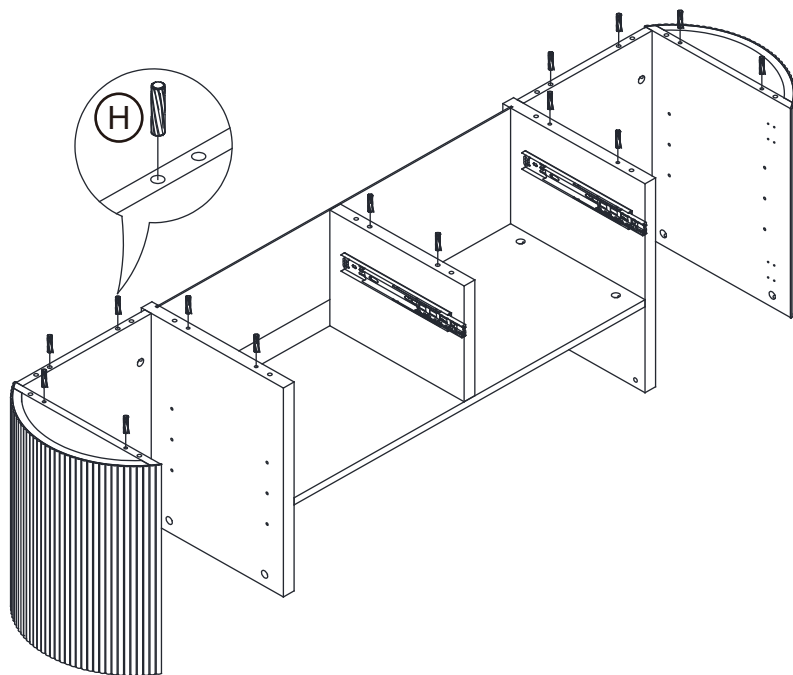
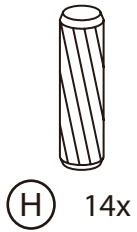
13

Slide center back panel (9) to the back of the assembly.



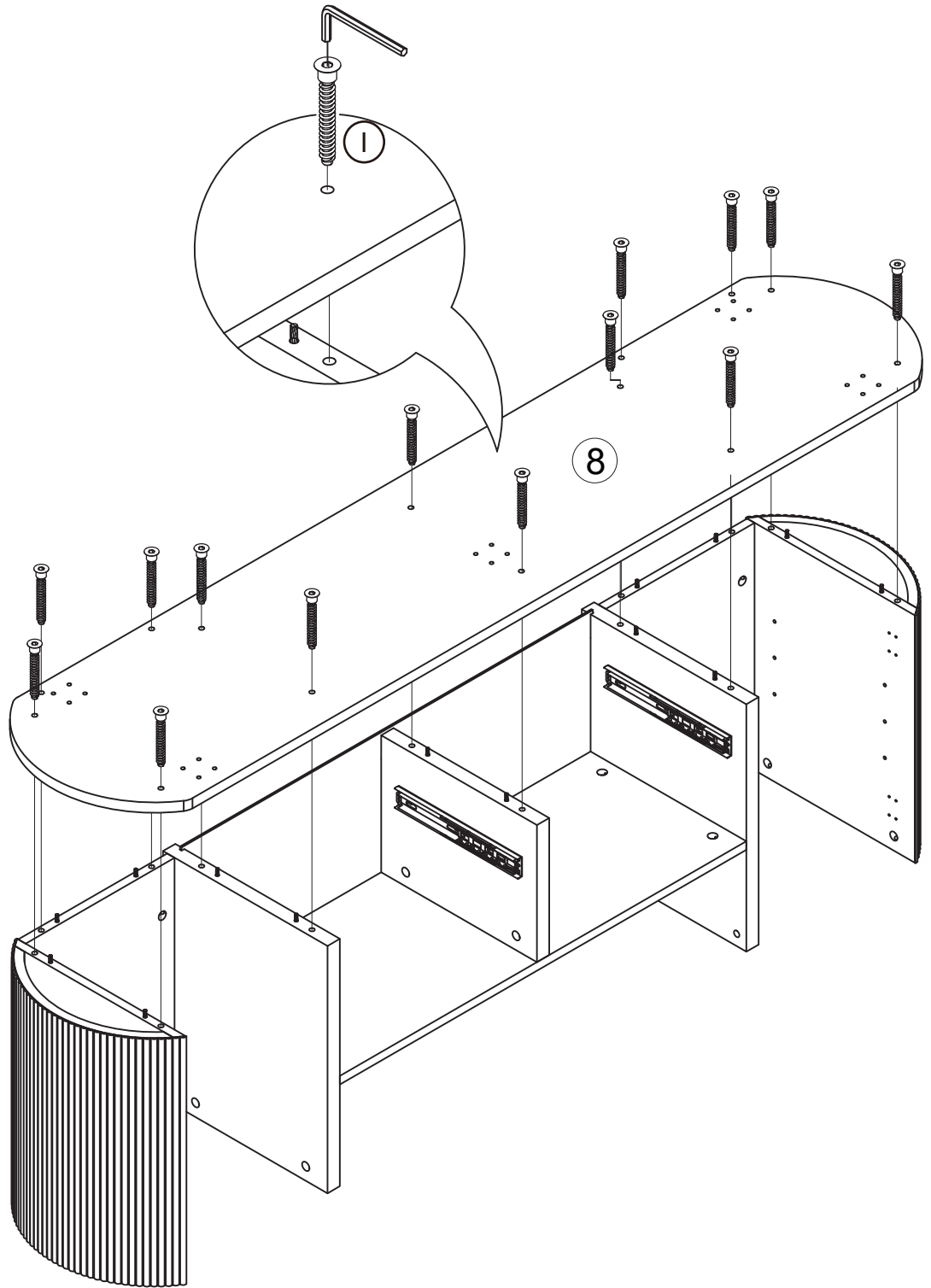
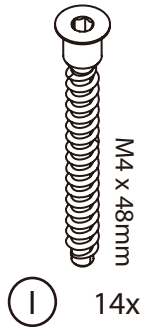
14

Insert wood dowels to the bottom side of the TV stand assembly.



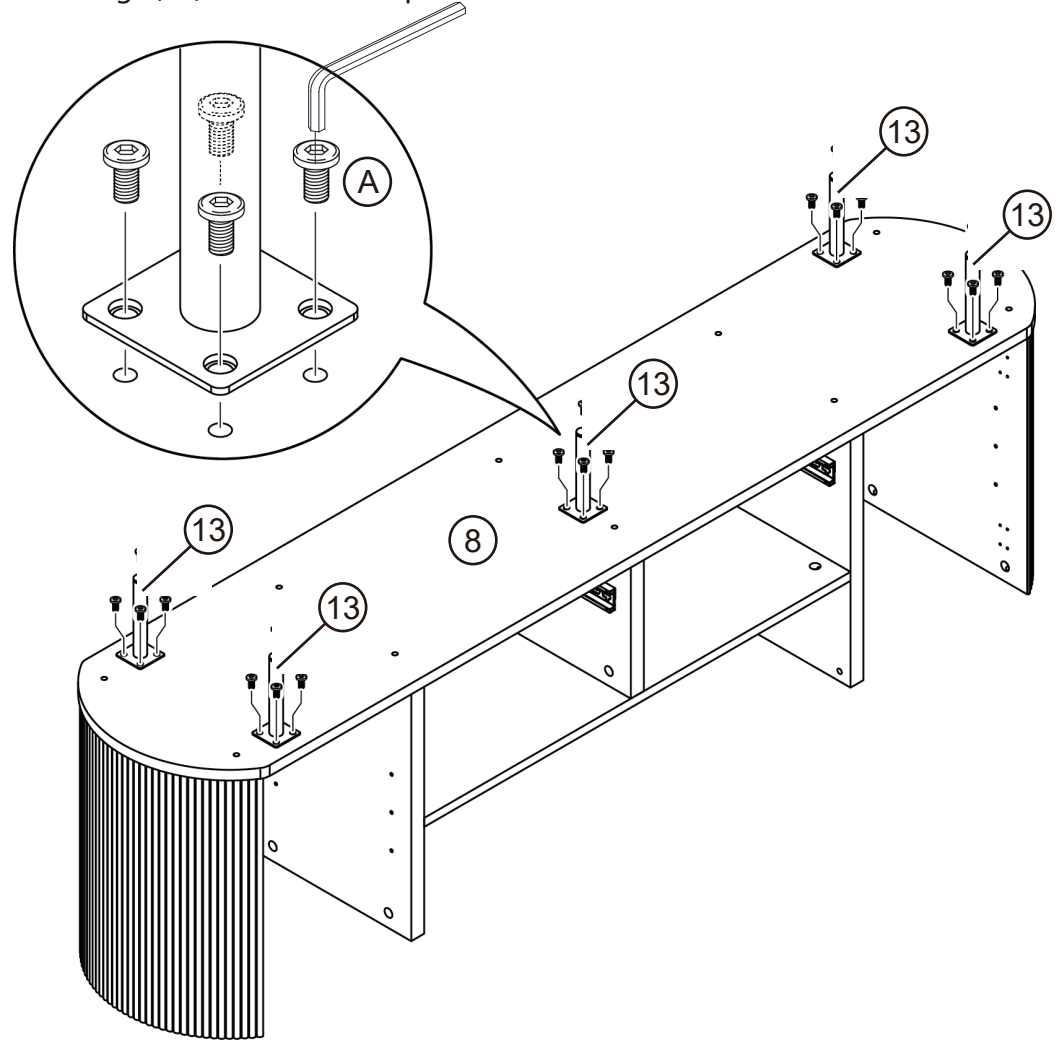
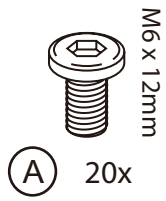
15

Assemble the bottom panel (8) to the bottom side of the TV stand assembly.



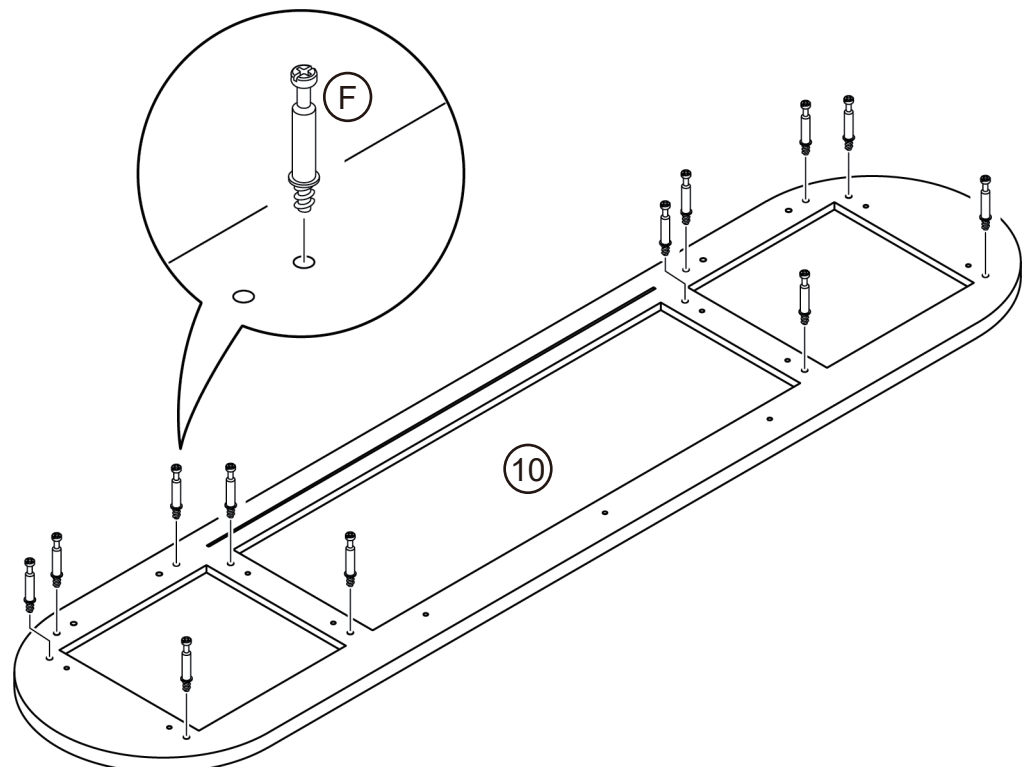
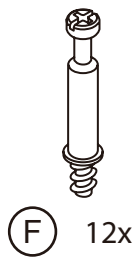
16

Attach legs (13) to the bottom panel.



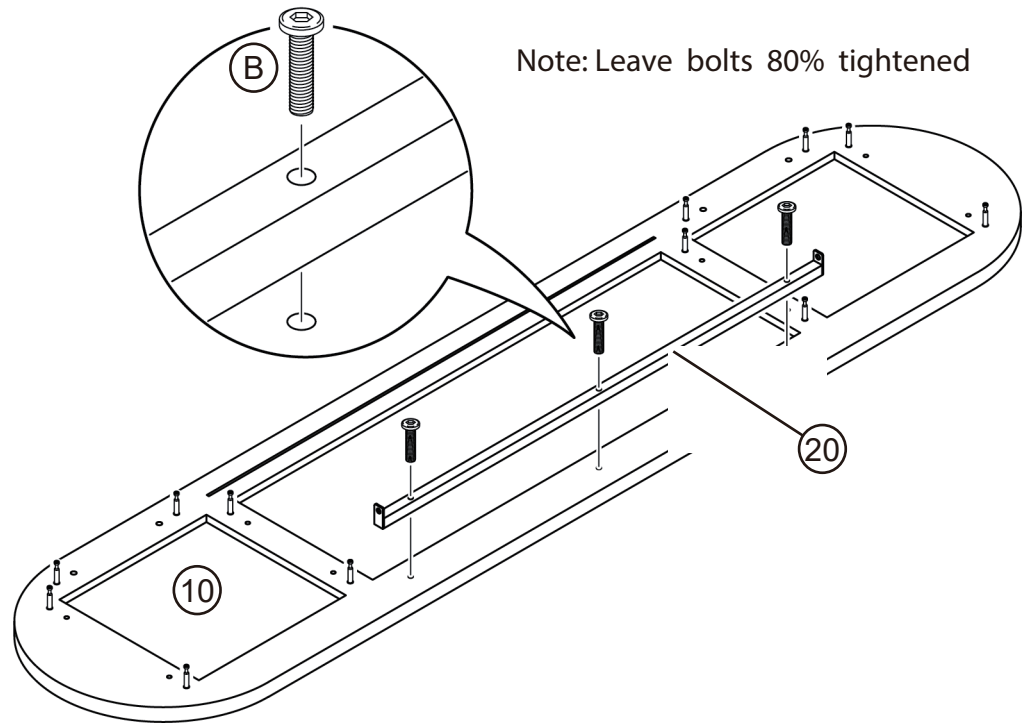
17

Attach cam bolts to the top panel (10).



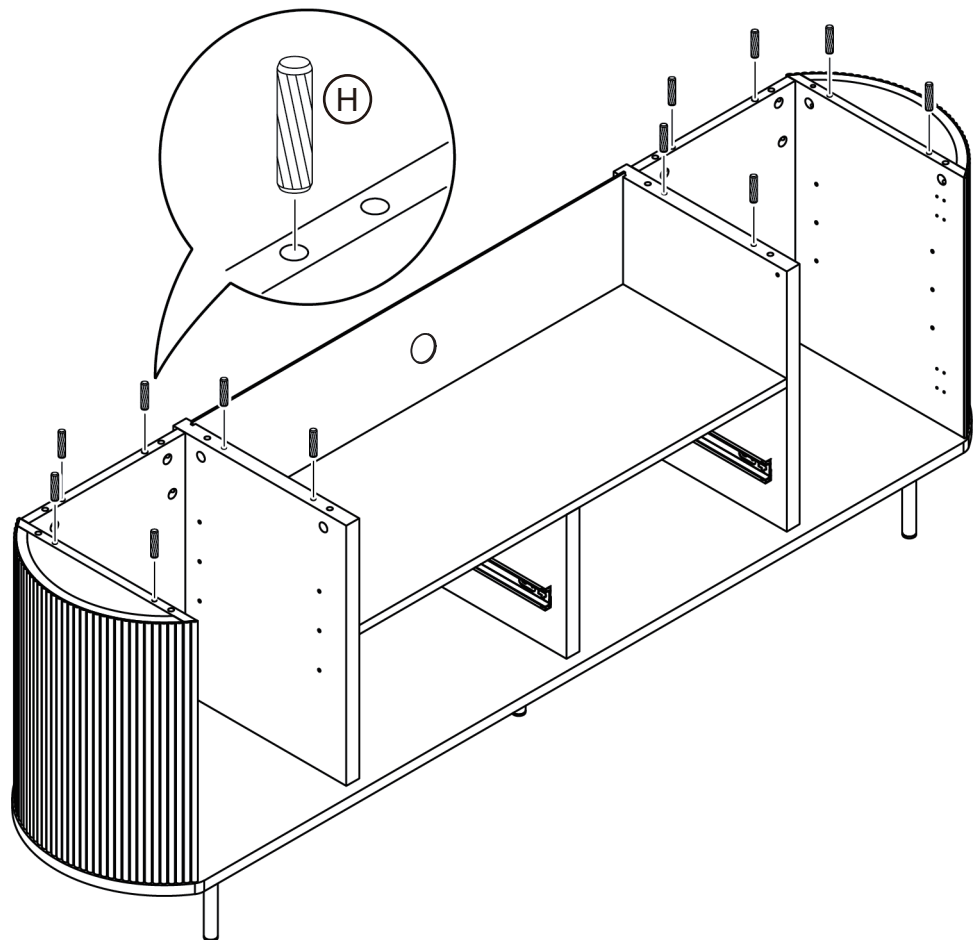
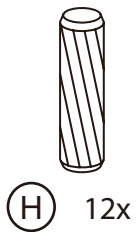
18

Attach crossbar (20) to the top panel.



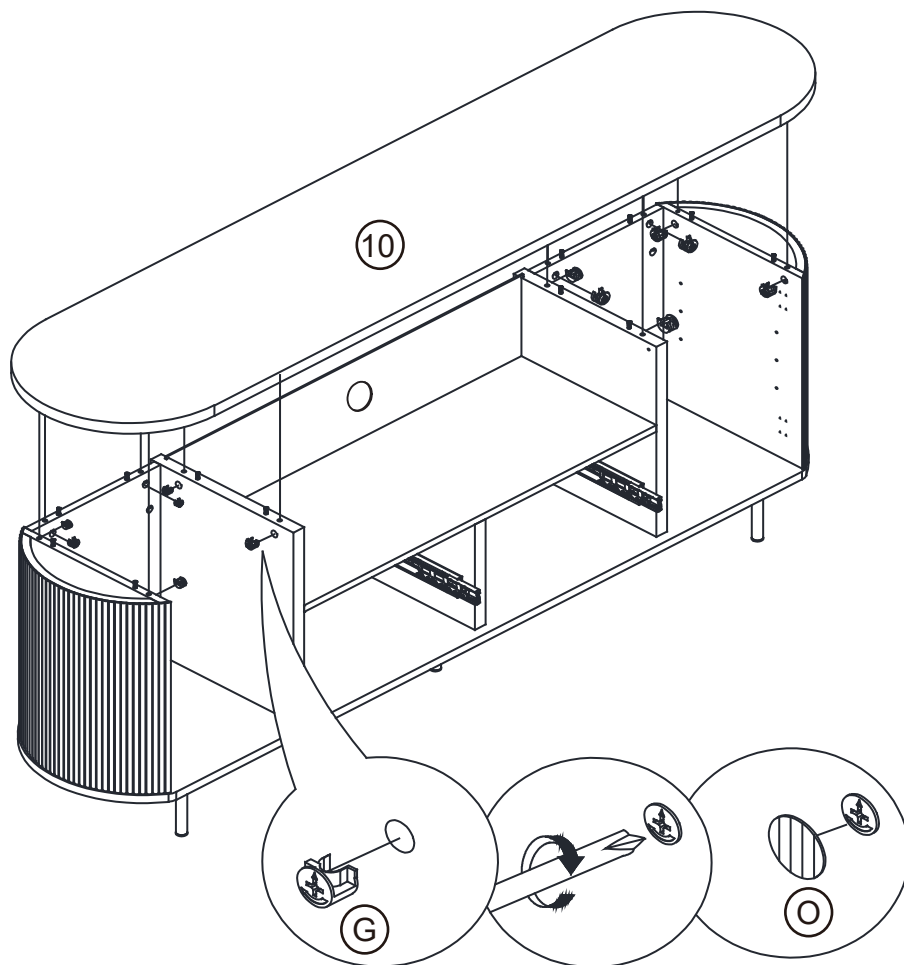
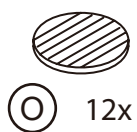
19

Insert wood dowels to the top side of the TV stand assembly.



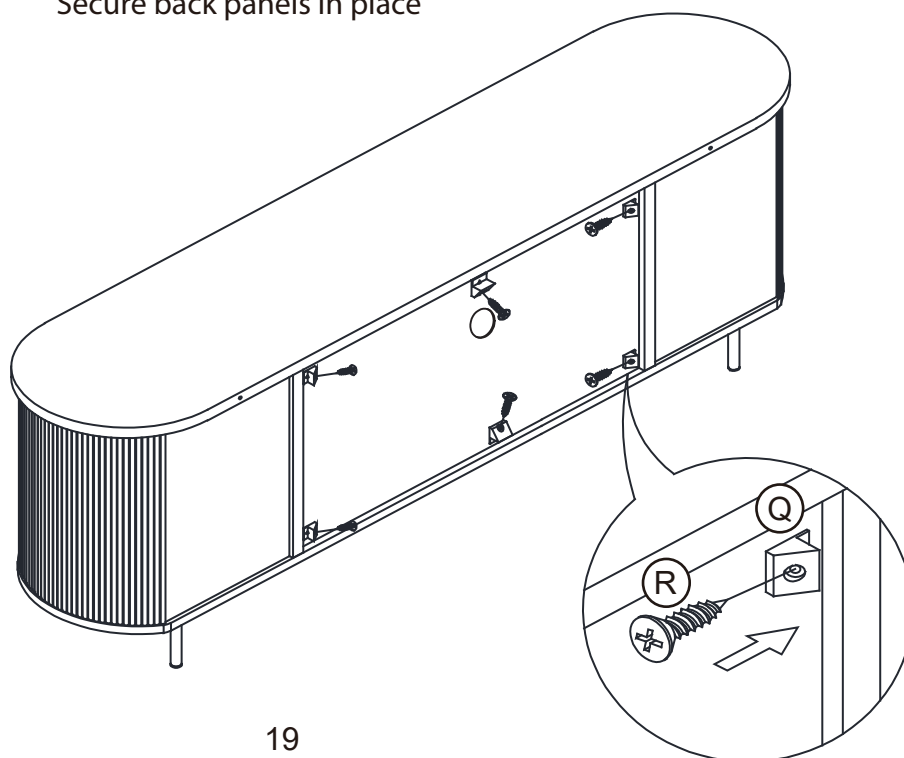
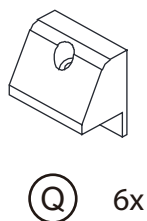
20

Assemble the top panel (10) on top of the TV stand assembly.



21

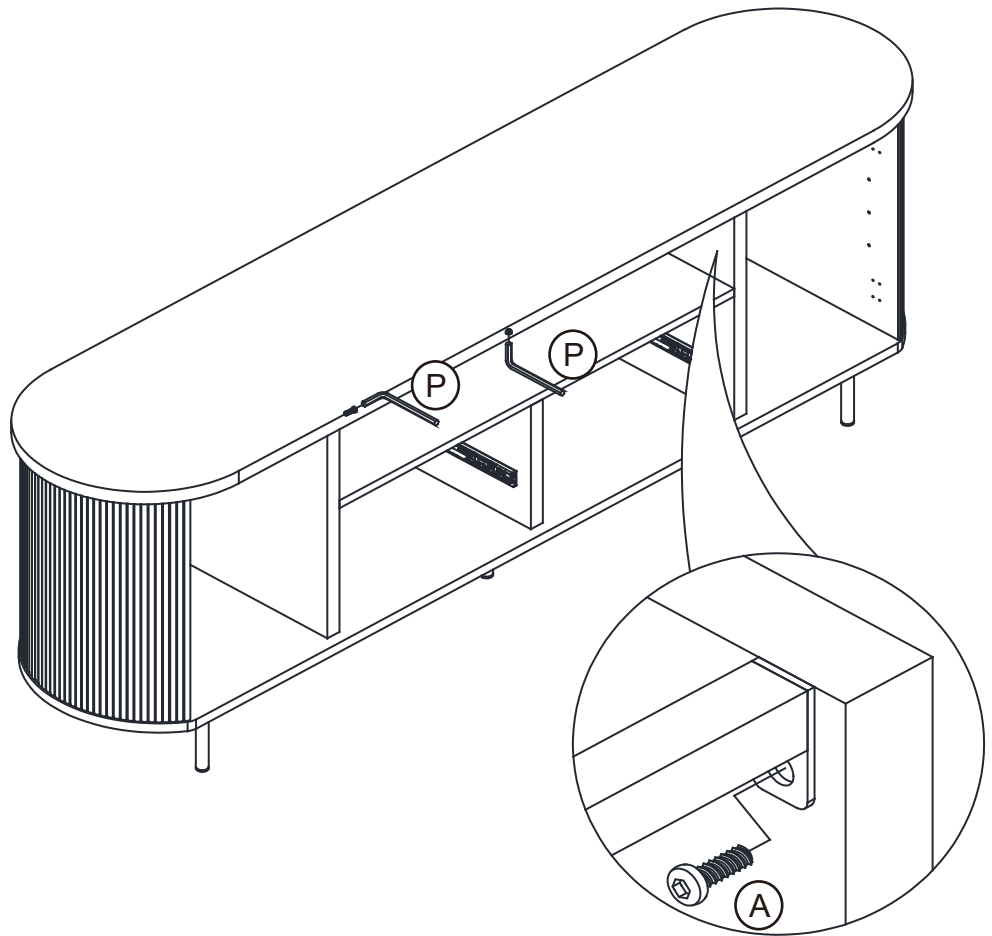
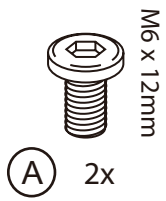
Secure back panels in place



22

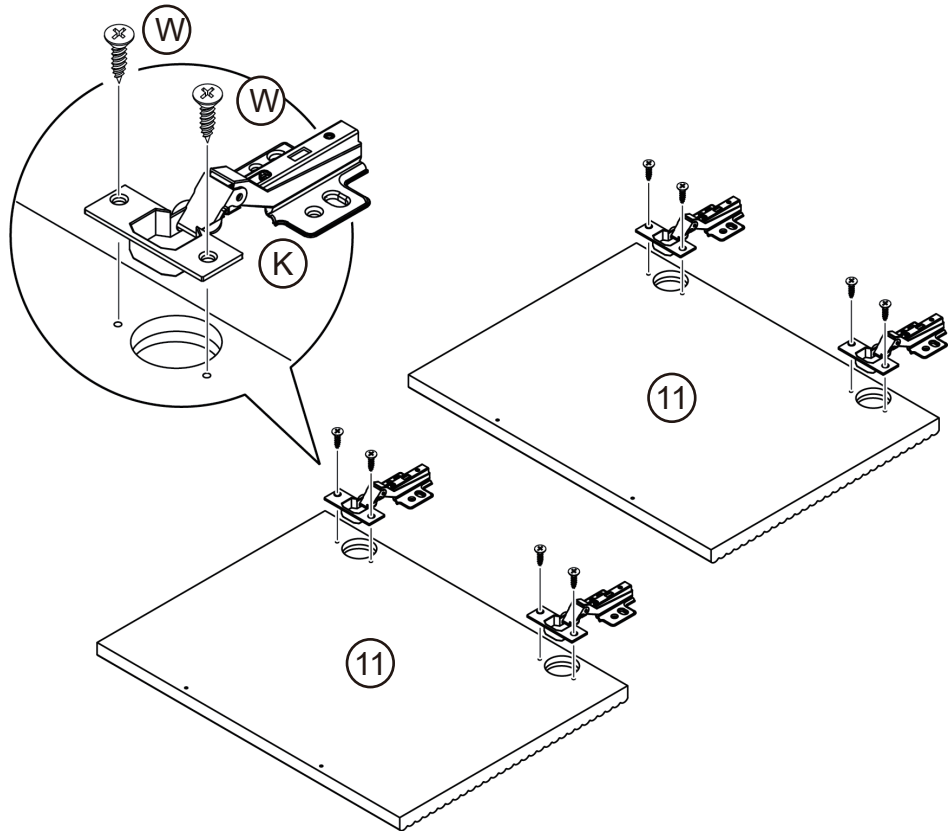
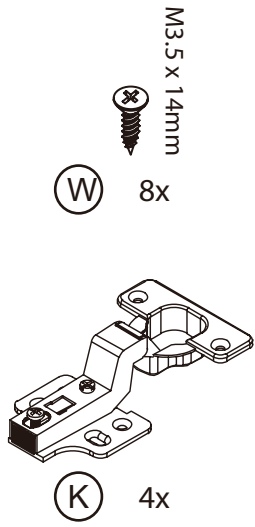
Secure the crossbar attached on the top panel to the medial panels.

Note: Tighten all bolts.



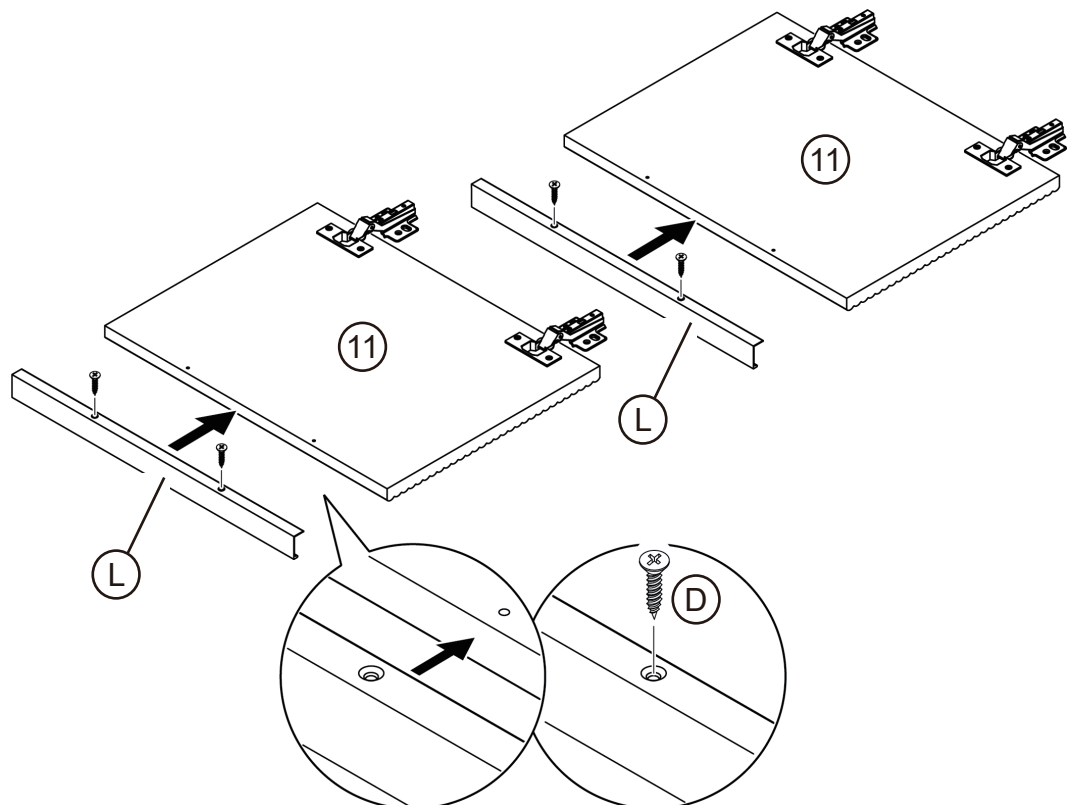
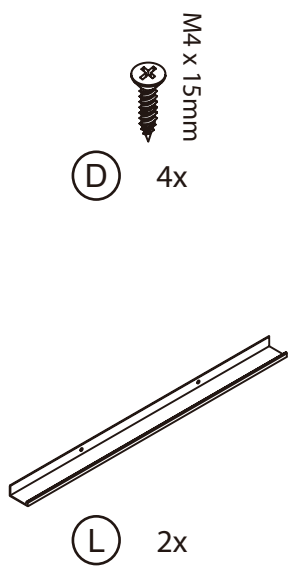
23

Attach door hinges to the cabinet doors (11).



24

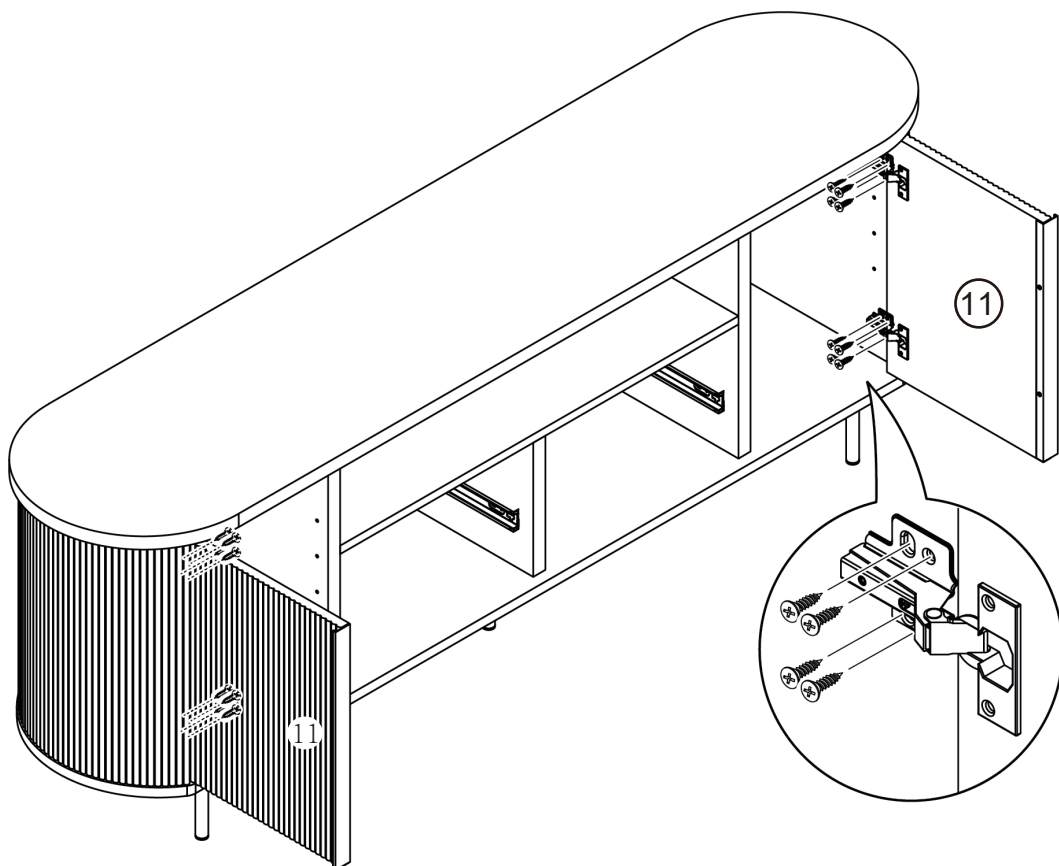
Attach door handles to cabinet doors (11).



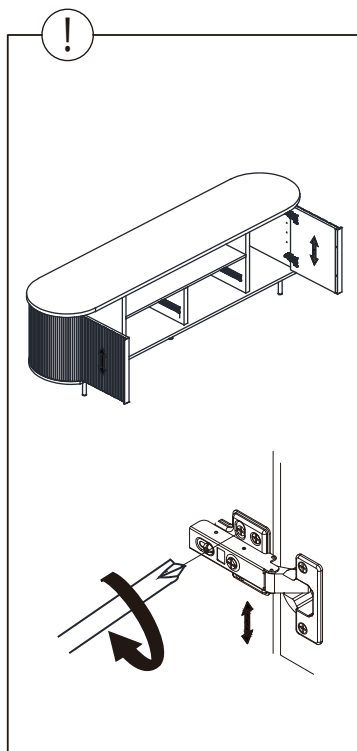
25

Attach cabinet doors to the TV stand.

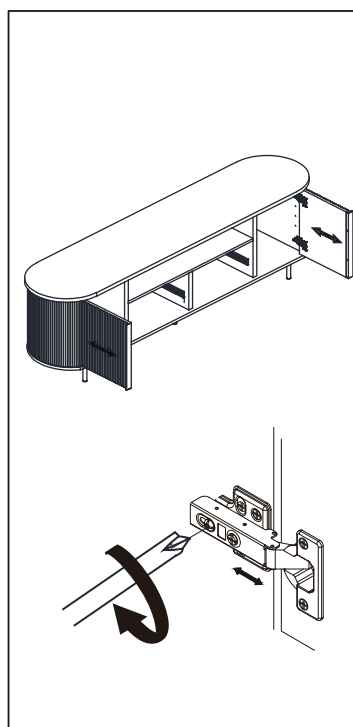
M3.5 x 14mm
⊗ 16x



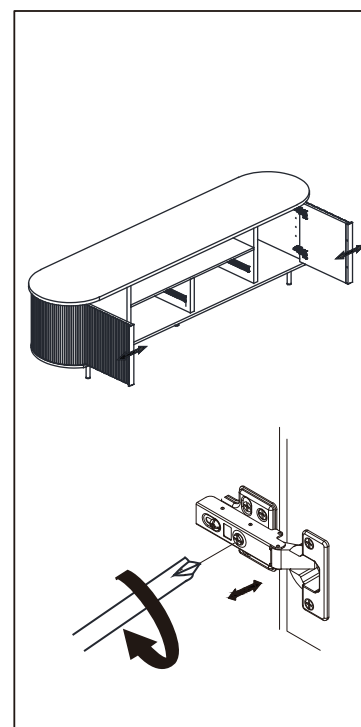
When the clearance of the door is uneven,
Adjust the cabinet door according to the figure,
If you still have trouble while adjusting the door. please contact us.



Up and down
adjustment by
loosening the screws
on the mounting
plate.



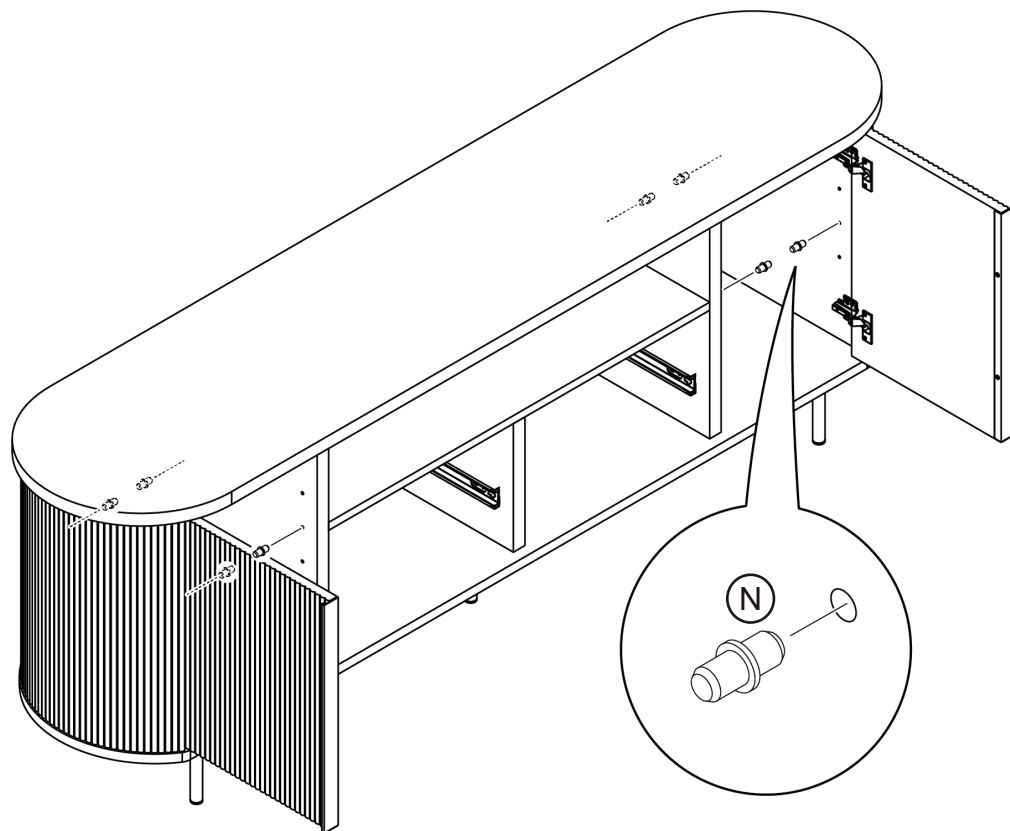
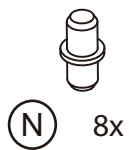
In and out
adjustment by
loosening the screws
on the hinge arm.



Side to side
adjustment using
the front adjustment
screw on the hinge.

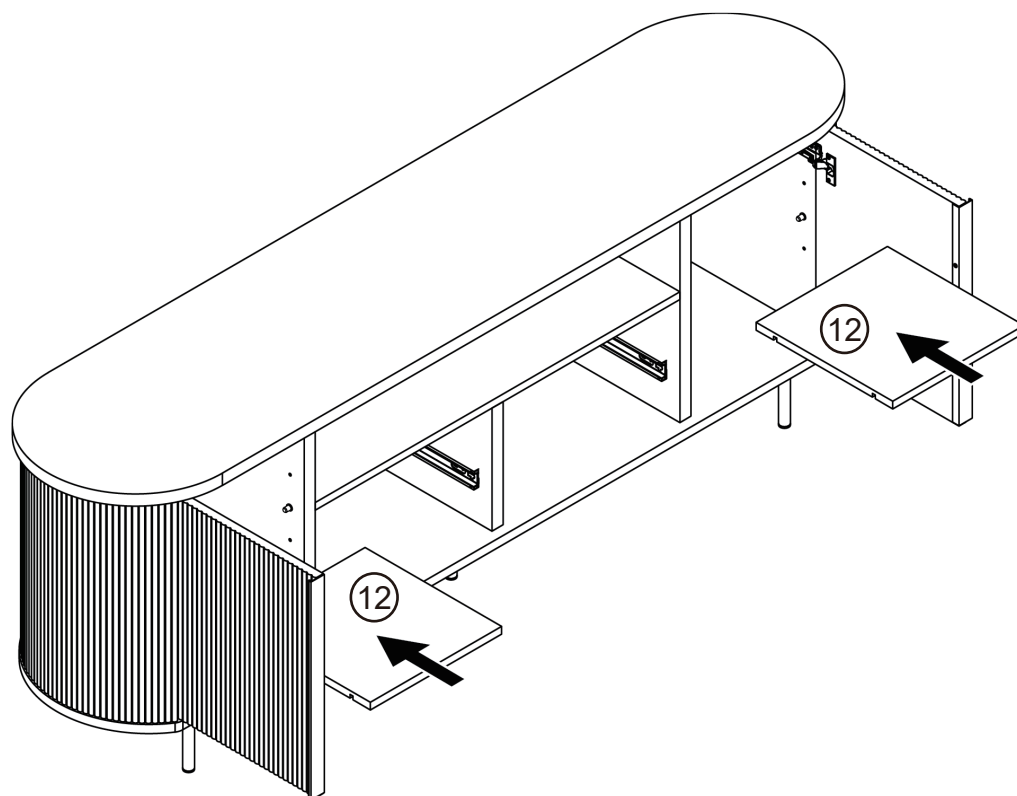
26

Insert shelf pegs to the TV stand.



27

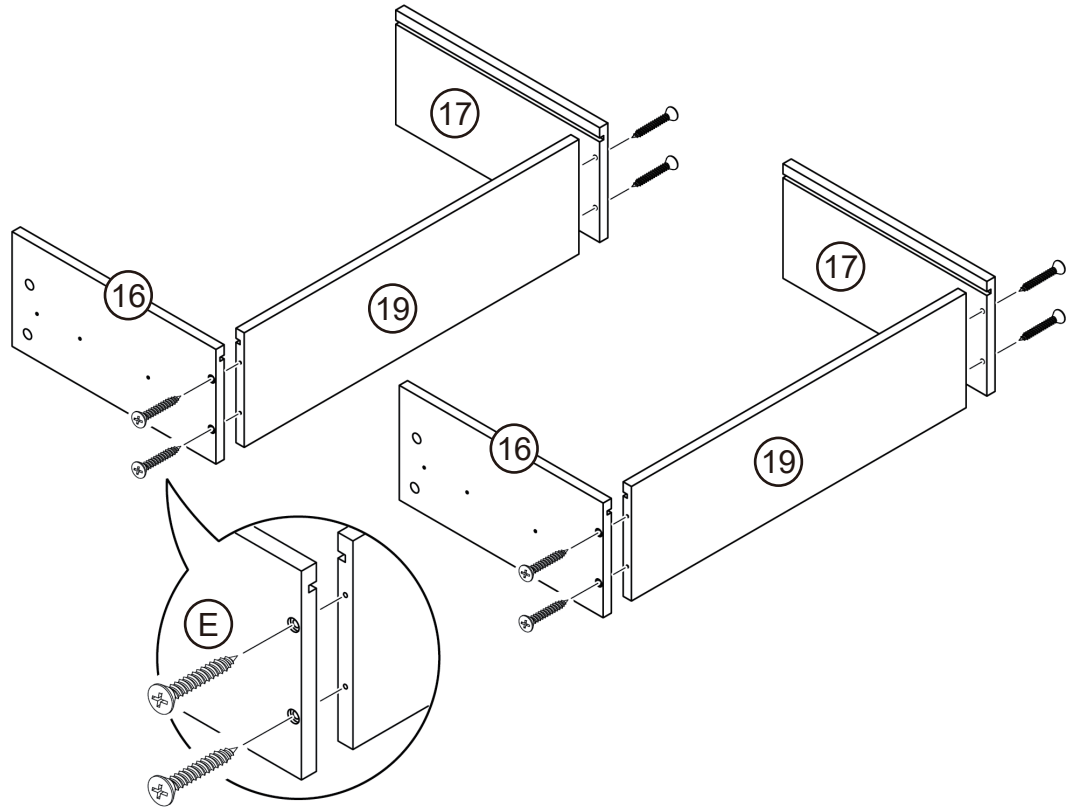
Place storage shelf panels (12) on top of the shelf pegs.



28

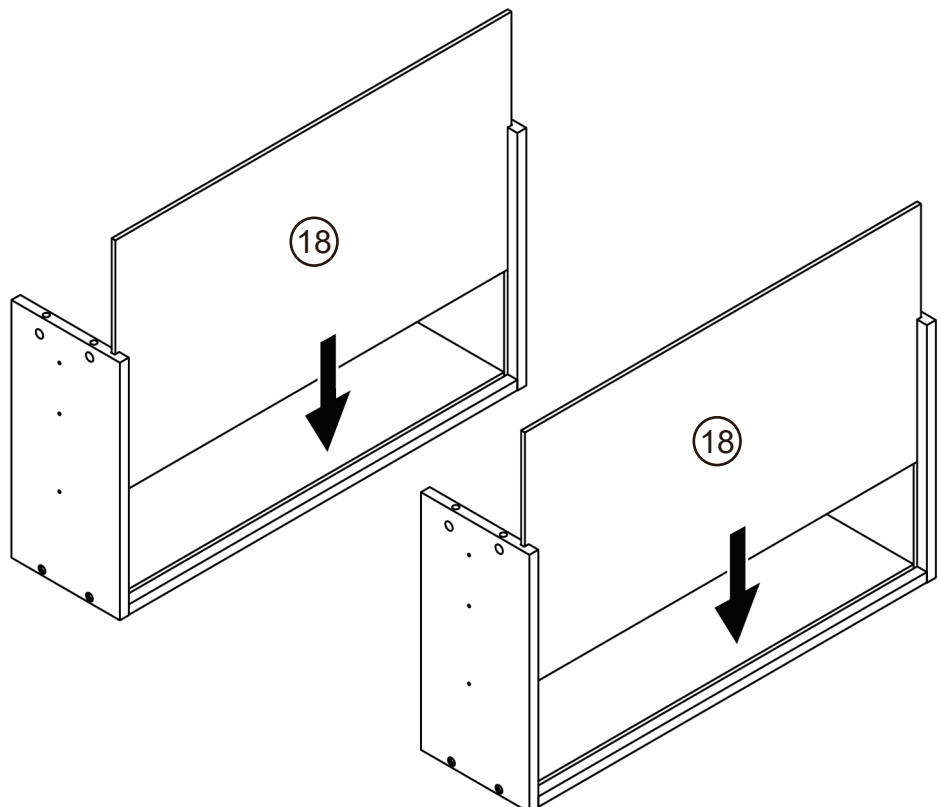
Assemble drawer back panel (19) between the drawer left and right panels (16, 17).

M4 x 28mm
E 8x



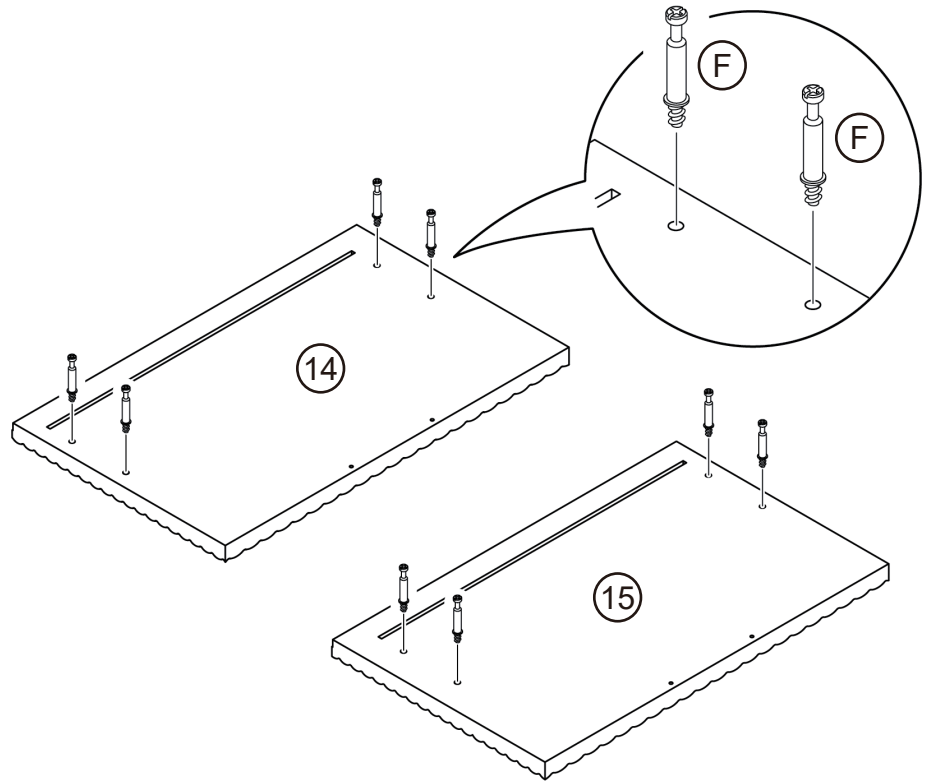
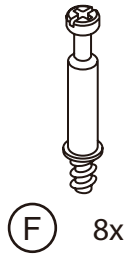
29

Slide drawer bottom panel (18) into the drawer tray assembly.



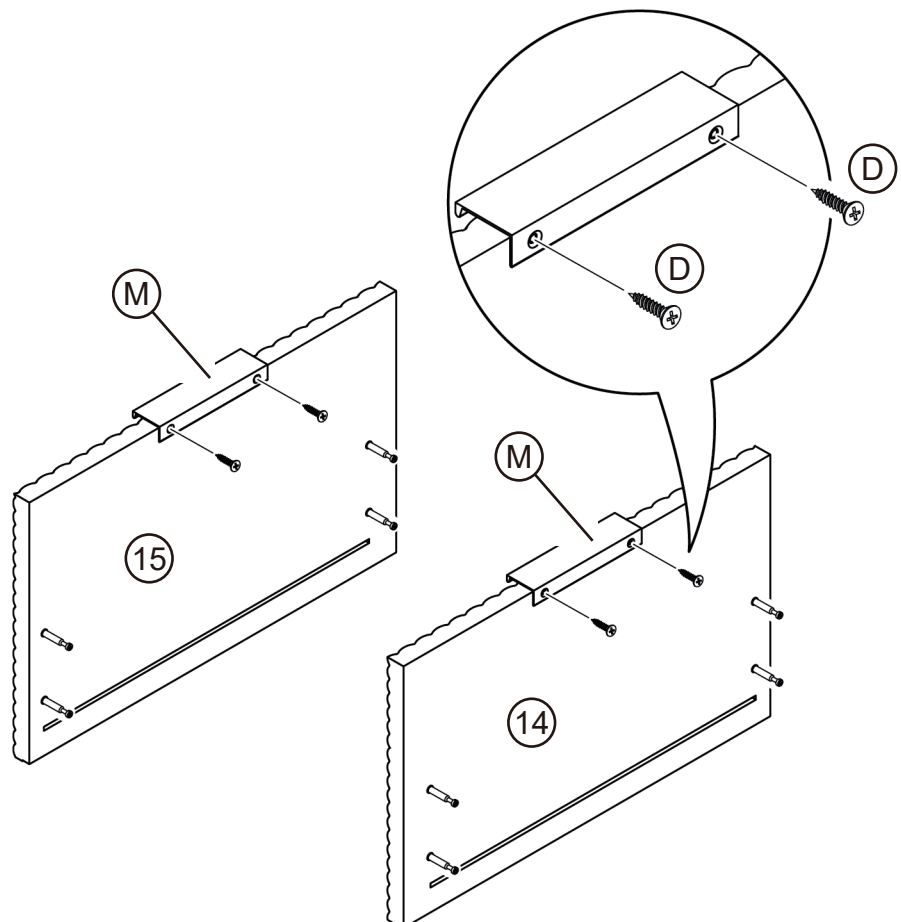
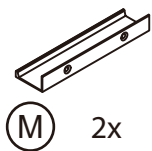
30

Attach cam bolts to the drawer front panels (14, 15).



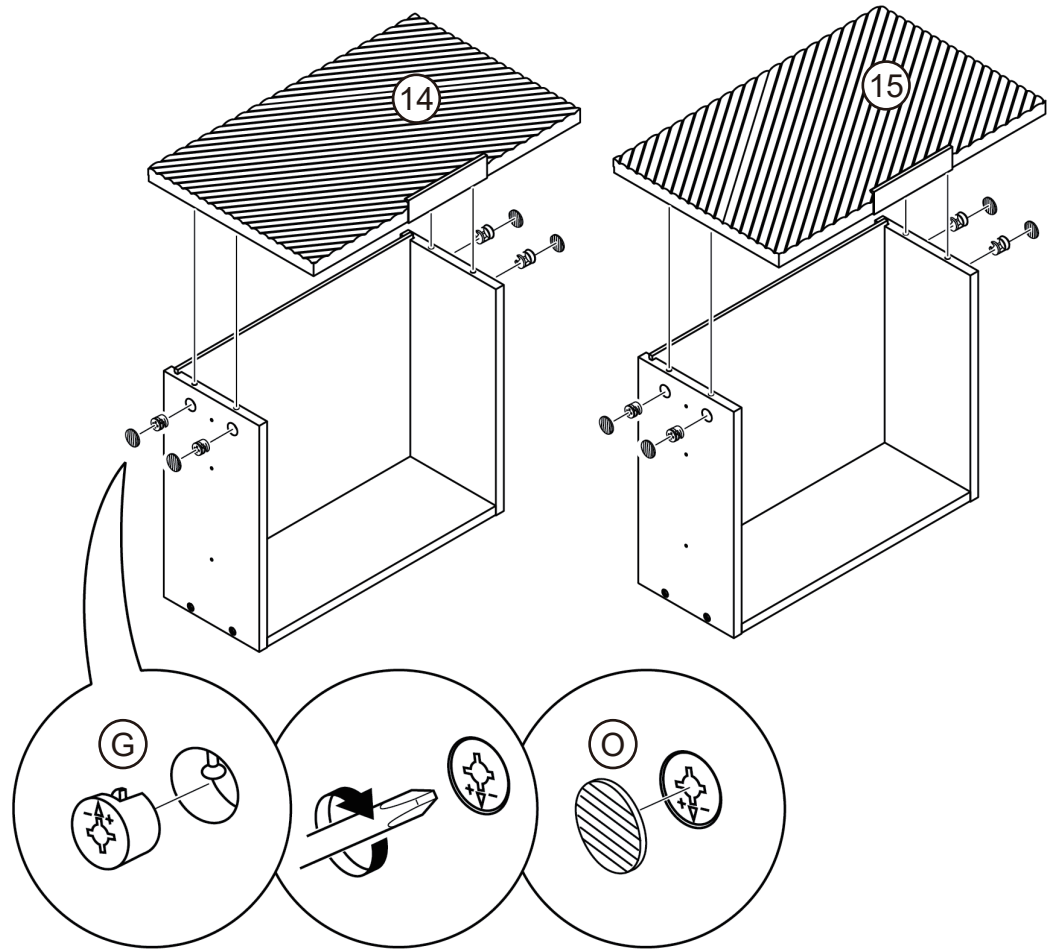
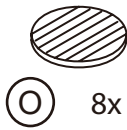
31

Attach drawer handles to the drawer front panels (14, 15).



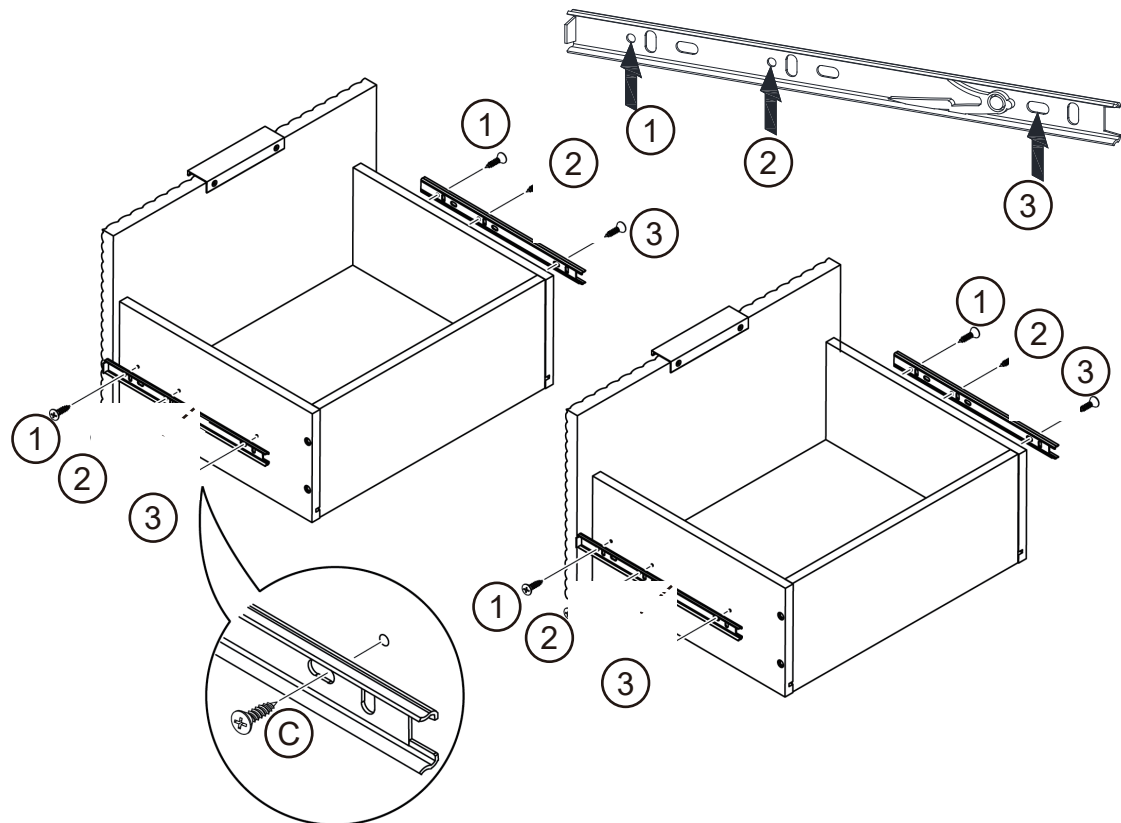
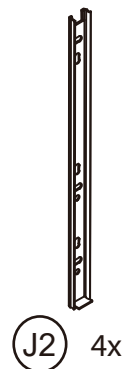
32

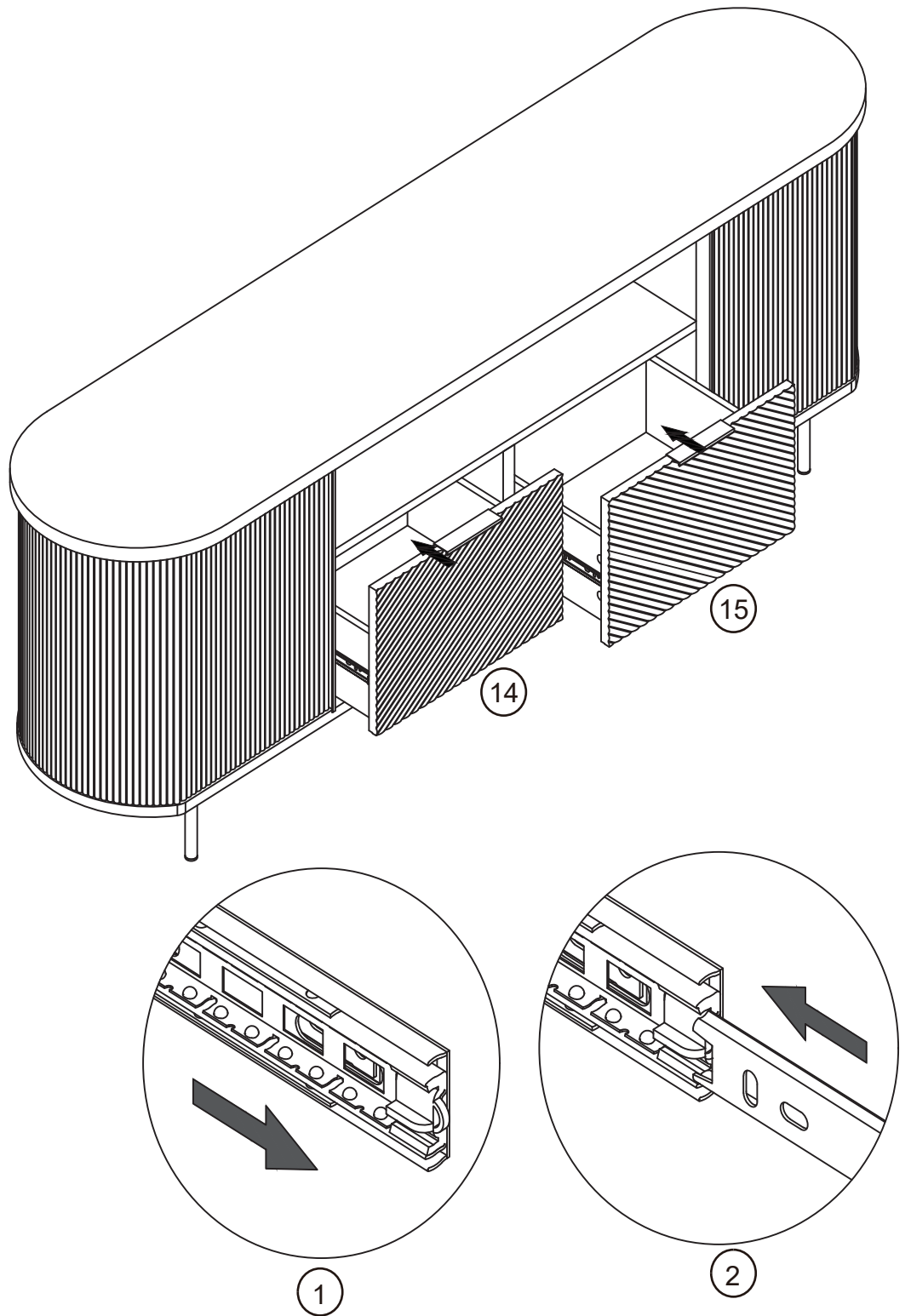
Assemble drawer front panels (14, 15) to the drawer tray assembly.



33

Attach drawer sliders to each side of the drawer.

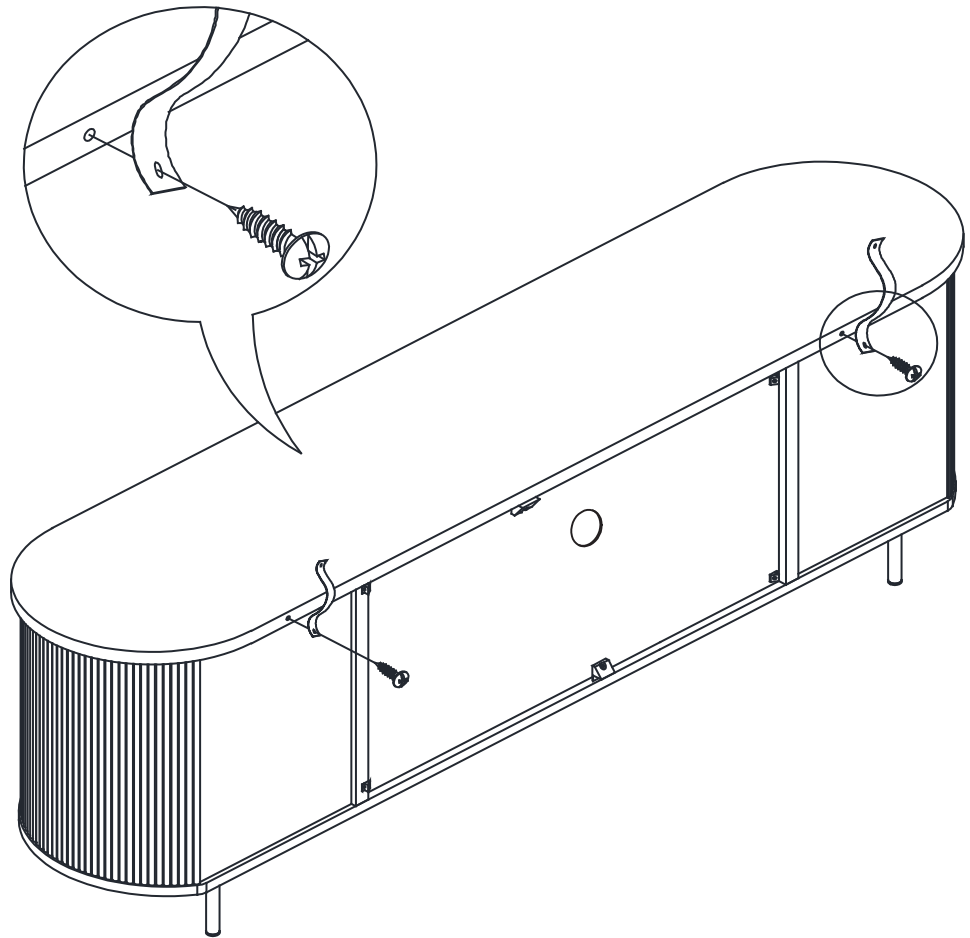
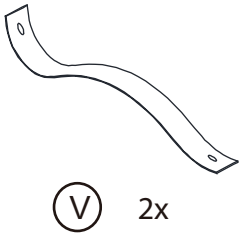




Slide the slider plate to the forward position.

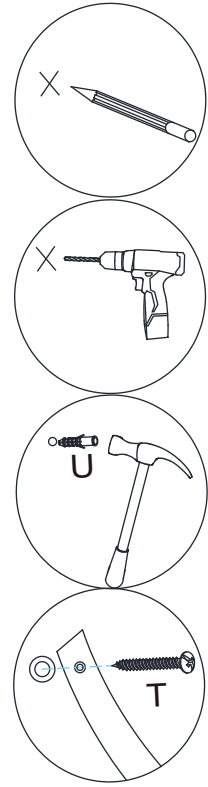
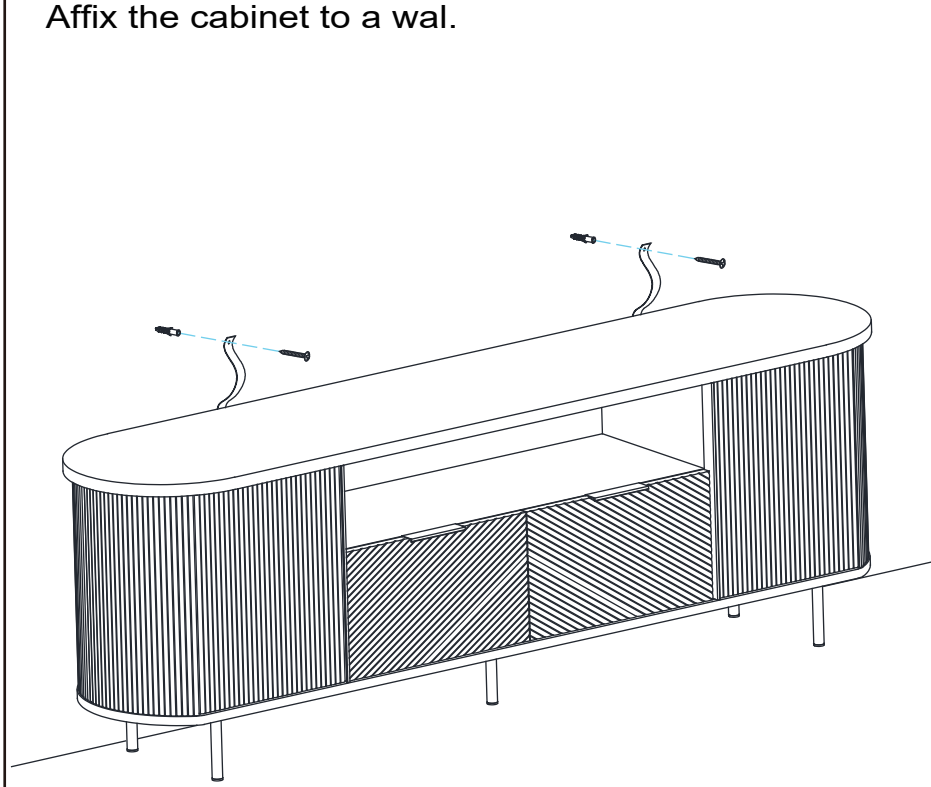
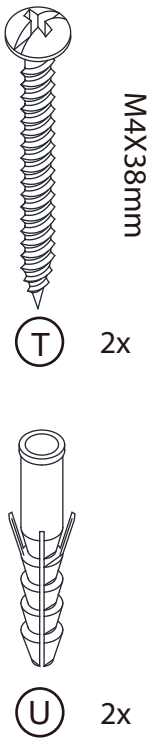
35

Attach anti -tipping straps to the back of the stand.



36

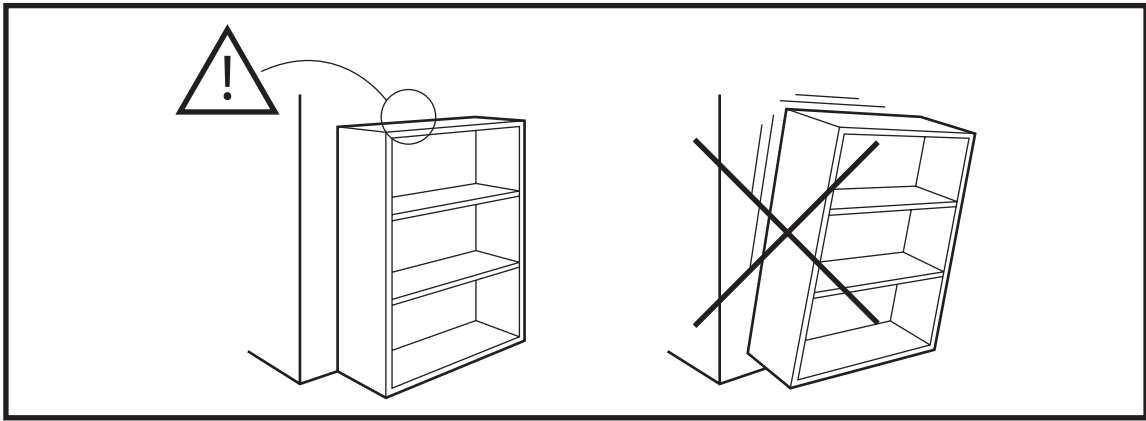
Affix the cabinet to a wal.



Furniture must permanently fixed to the wall stud with included anti-tipping device to prevent the furniture from tipping over.

- Mark the drill position on the wall with a pencil.
- Drill a small hole on the marked position.
- Insert a wall anchor into the drilled hole.
- Fixed the anti-tipping strap to the wall with provided screws.

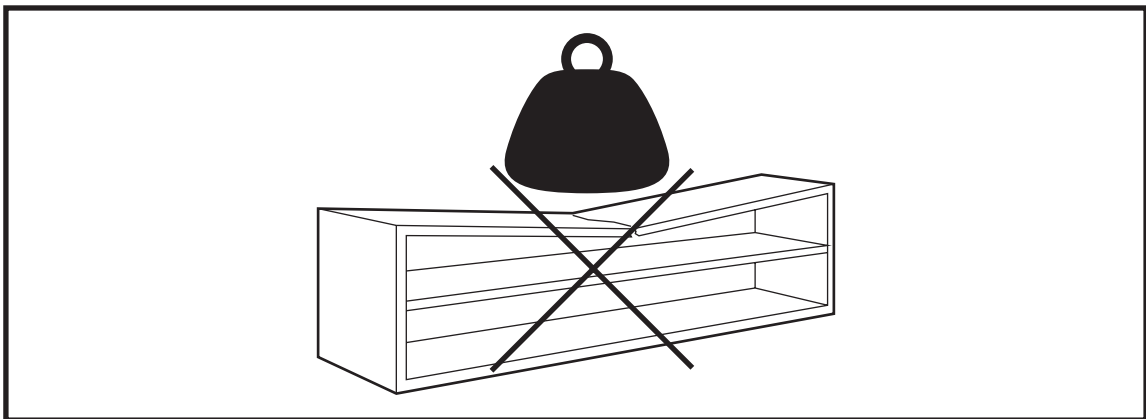
YOU'RE FINISHED!



Warning

Serious or fatal crushing injuries may occur if the furniture tip-over. Furniture must permanently affixed to the wall with included anti-tipping device in order to prevent the furniture from tipping over.

Different wall materials requires different types of wall anchors or screws. Use a suitable wall anchors or screws for your specific wall in order to secure the stability and load bearing capacity of the furniture. If you are uncertain about which type of device to use, please contact us or your local hardware store.



Warning

Only place items on top of the product if they meet the recommended size and weight limits.

Climbing on, stepping on, or placing overweighted objects on the product may cause property damage and/or injuries.

Items placed onto this product must be resting on a support surface without hanging over the edges.

WARNING

For use with televisions weighing 70lbs (31.8kg) or less. Use with heavier televisions may result in instability, causing tip over resulting in death or serious injury.

Death or serious injury may occur when children climb on audio and/or video equipment furniture. A remote control or toys placed on the furnishing may encourage a child to climb on the furnishing and as a result the furnishing may tip over on to the child.

Relocating audio and/or video equipment to furniture not specifically designed to support audio and/or video equipment may result in death or serious injury due to the furnishing collapsing or over turning onto a child.

NOTICE

The recommended maximum width of the television is 75 inches. Do not exceed the maximum load capacity.

This product is designed for flat panel TVs only.

FURNITURE CARE AND MAINTENANCE

Medium - Density Fiberboard

Thank you for your purchase. We want your item to last as long as possible. To ensure the product gives you years of longevity, please follow the recommendations in this care and maintenance guide.



MAINTENANCE

- Tighten all bolts and screws again within the first 2 weeks of assembly.
- Check the tightness of all bolts every 2 months and tighten them if necessary.



CLEANING

- Clean the surface of the MDF (medium - density fiberboard) with a lightly dampened cloth.
- A small amount of mild soap can be used if necessary.
- Dry the surface immediately after cleaning.

⚠ DO NOT use bleach or alcohol to clean the surface.

⚠ DO NOT apply wood treatment on parts made with MDF.

MDF will swell and distort when exposed to water damage. Make sure to dry the furniture immediately after cleaning.

⚠ WARNING

The manufacturer and seller are not responsible for any and all liability relating to personal injury, property damage or losses, whether direct, indirect, or incidental, resulting from the incorrect attachment, improper use, inadequate maintenance, unapproved modification or neglect of this product.

WARRANTY

Products come with a 1-year warranty from the date of delivery.
Register your product on our website to enjoy our limited lifetime warranty!

AFTER-SALE SERVICE



Encounter any difficulties or missing parts?



Contact us.



We will send you replacement.



Hassle free!
No need to worry about repackaging and sending your item back.