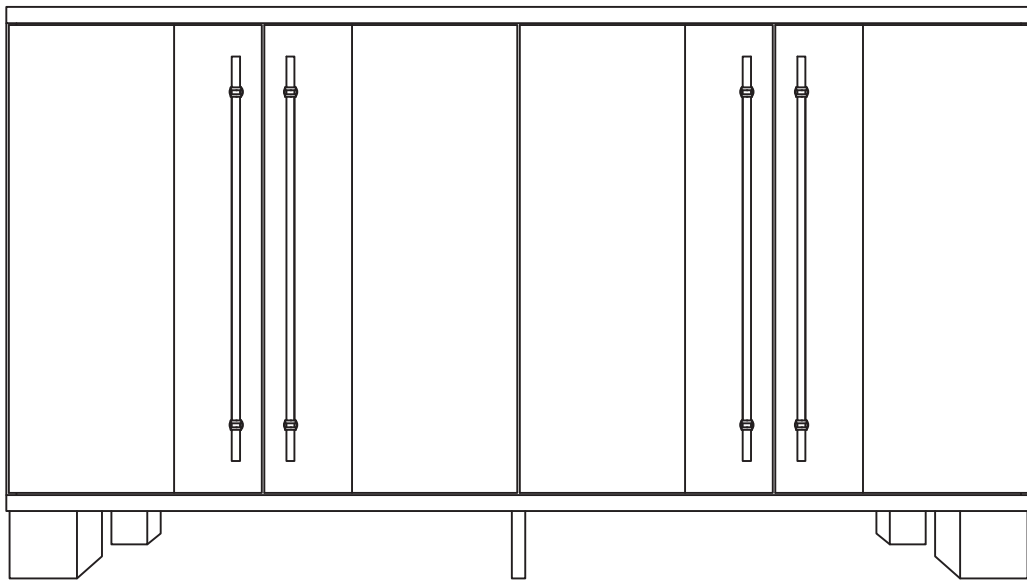


ASSEMBLY INSTRUCTION
ITEM:N715P392244
SIDEBOARD



ASSEMBLY INSTRUCTION

ITEM:N715P392244

Please read these instructions fully before starting assembly :

Tools required: Phillips screwdriver(medium & large)

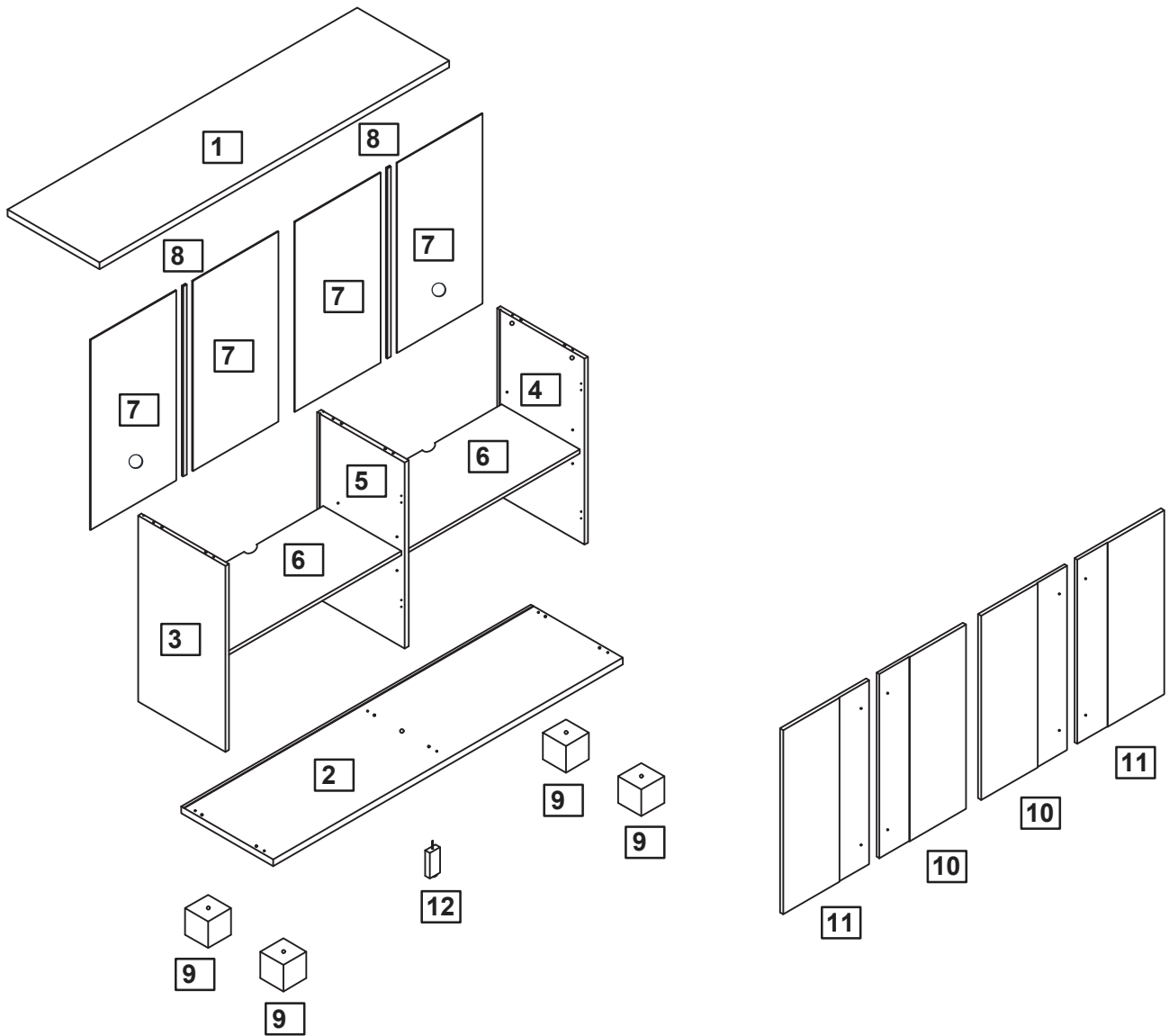
- 1.Check you have all the components and tools listed on the following pages.
- 2.Remove all fittings from the plastic bags and separate them into their groups.
- 3.Keep children and animals away from the work area, small parts could choke if swallowed.
- 4.Make sure you have enough space to layout the parts before starting.
- 5.During assembly do not stand or put weight on the product, this could cause damage.
- 6.Assemble the item as close to its final position (in the same room) as possible.
- 7.Assemble on a soft level surface to avoid damaging the unit or your floor.
- 8.Parts of the assembly will be easier with 2 people.
- 9.To reduce the likelihood of damaging your product please ensure that your power drill is set on a low torque setting.
- 10.Assemble all parts and bolts loosely during assembly, only once the product is complete should you fully tighten the bolts.
- 11.Regularly check and ensure That all bolts and fittings are tightend properly.
- 12.Please do not place items that exceed the load capacity.

Care and maintenance

Only clean using a damp cloth and mild detergent, do no use bleach or abrasive cleaners.

ASSEMBLY INSTRUCTION

ITEM:N715P392244

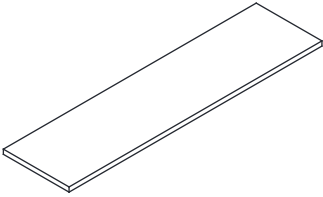
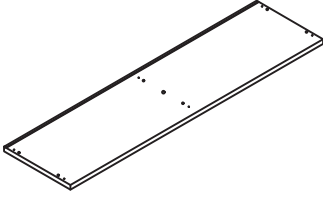

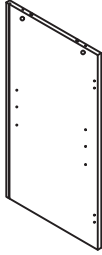
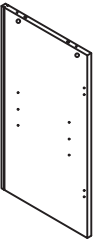
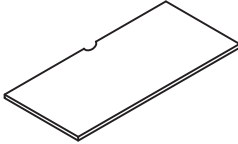
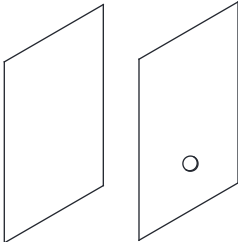

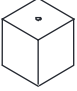

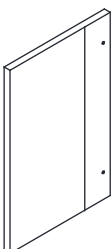
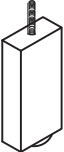


Part List

ITEM:N715P392244

Please check you have all the panels listed below

Note: The quantities below are the correct amount to complete the assembly. In some cases more fittings may be supplied than are required.






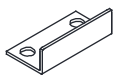


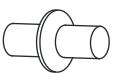
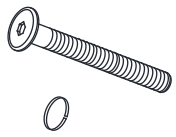
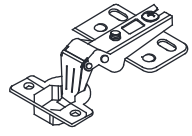
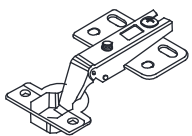

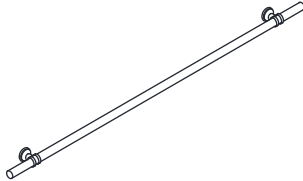

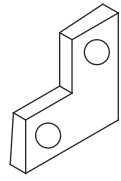
<p>①</p>  <p>Top Panel 1 PC</p>	<p>②</p>  <p>Bottom Panel 1 PC</p>	<p>③</p>  <p>Left Panel 1 PC</p>	<p>④</p>  <p>Right Panel 1 PC</p>
<p>⑤</p>  <p>Medial panel 1 PC</p>	<p>⑥</p>  <p>Center Shelf 2PCS</p>	<p>⑦</p>  <p>Back Panel 4 PCS</p>	<p>⑧</p>  <p>Rear connector 2PCS</p>
<p>⑨</p>  <p>Foot 4 PCS</p>	<p>⑩</p>  <p>Door 2 PCS</p>	<p>⑪</p>  <p>Door 2 PCS</p>	<p>⑫</p>  <p>Neutral position 1 PC</p>

Hardware list

ITEM: N715P392244

Please check you have all the panels listed below

Note: The quantities below are the correct amount to complete the assembly. In some cases more fittings may be supplied than are required.



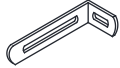
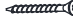
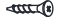

<p>A</p>  <p>Male Camlock x 6</p>	<p>B</p>  <p>Female Camlock x 6</p>	<p>C</p>  <p>Dowel x 12</p>	<p>D</p>  <p>4*50mm Screw x 6</p>
<p>E</p>  <p>E x 1</p>	<p>F</p>  <p>collision x 2</p>	<p>G</p>  <p>3*16mm Screw x 20</p>	<p>H</p>  <p>H x 1</p>
<p>I</p>  <p>Shelf Support Pin x 8</p>	<p>J</p>  <p>JCBC + Washer x 4</p>	<p>K</p>  <p>Door Hinge x 4</p>	<p>L</p>  <p>Door Hinge x 4</p>
<p>M</p>  <p>3.5*16mm Screw x 48</p>	<p>N</p>  <p>Handle x 4</p>	<p>O</p>  <p>4*18mm Screw x 8</p>	<p>P</p>  <p>Plastic edge x 8</p>

Hardware list

ITEM:N715P2392244

Please check you have all the panels listed below

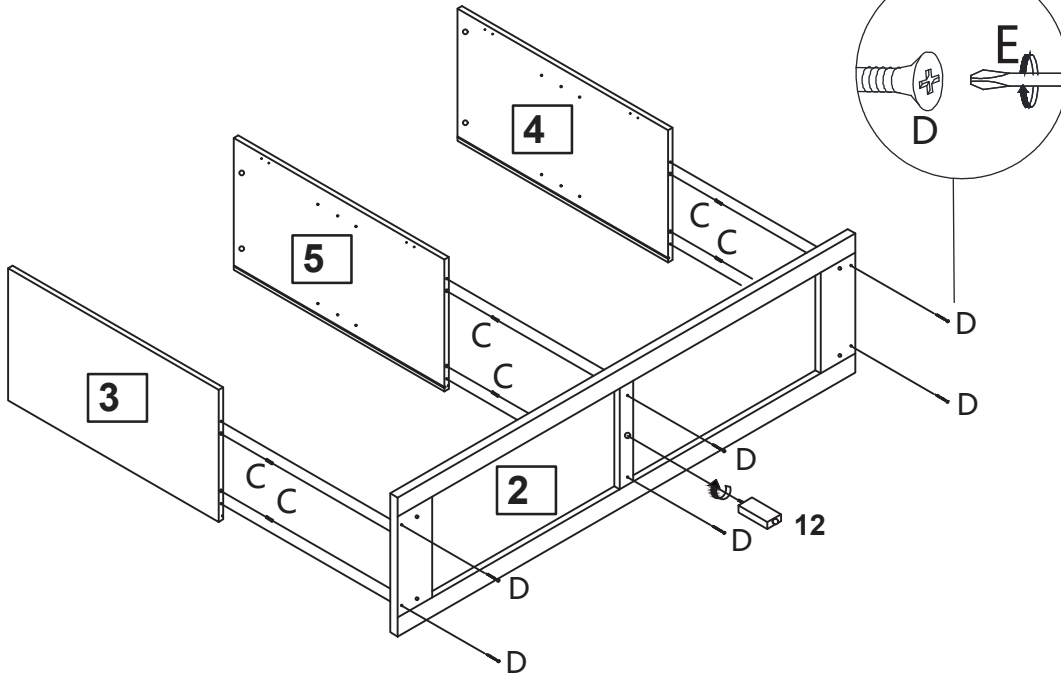
Note: The quantities below are the correct amount to complete the assembly. In some cases more fittings may be supplied than are required.

					
		M4*30mm 	M3*12mm 		
Q1	Q2	Q3	Q4	Q5	
Wall Fixing Pack x 2					

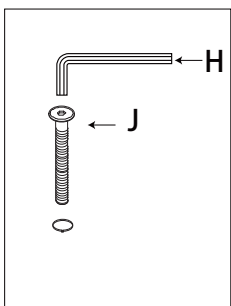
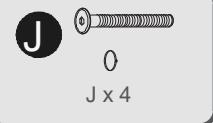
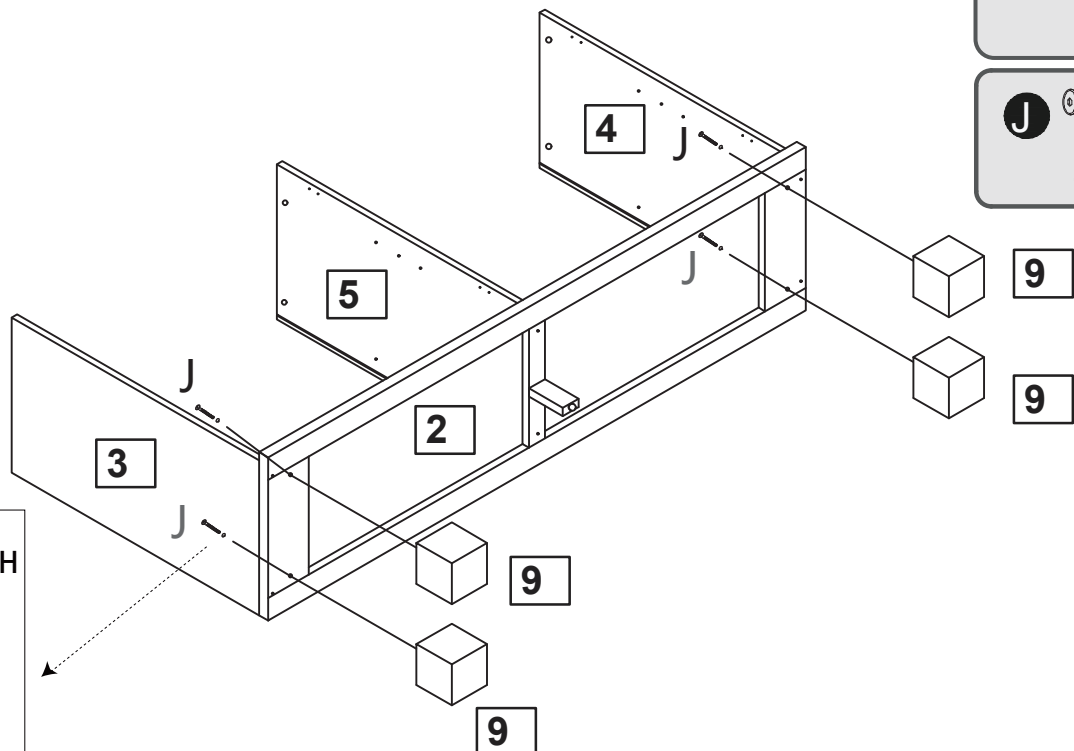
ASSEMBLY INSTRUCTION

ITEM:N715P392244

Step 1



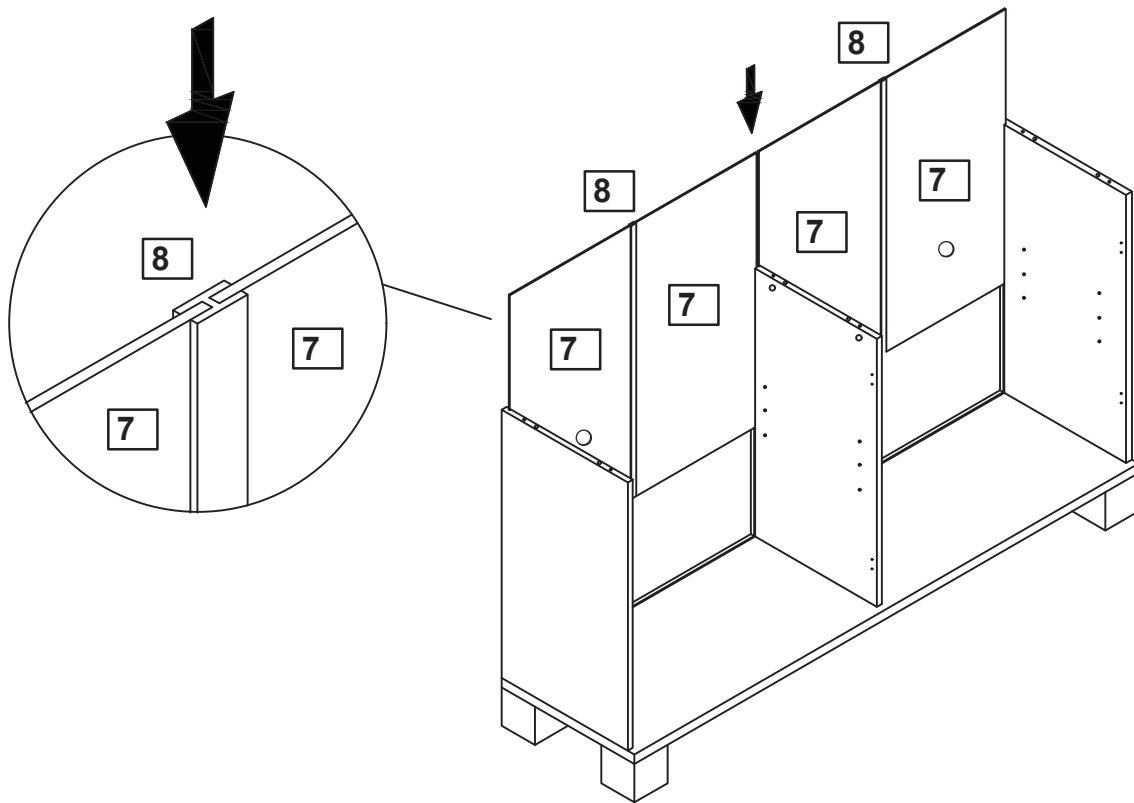
Step 2



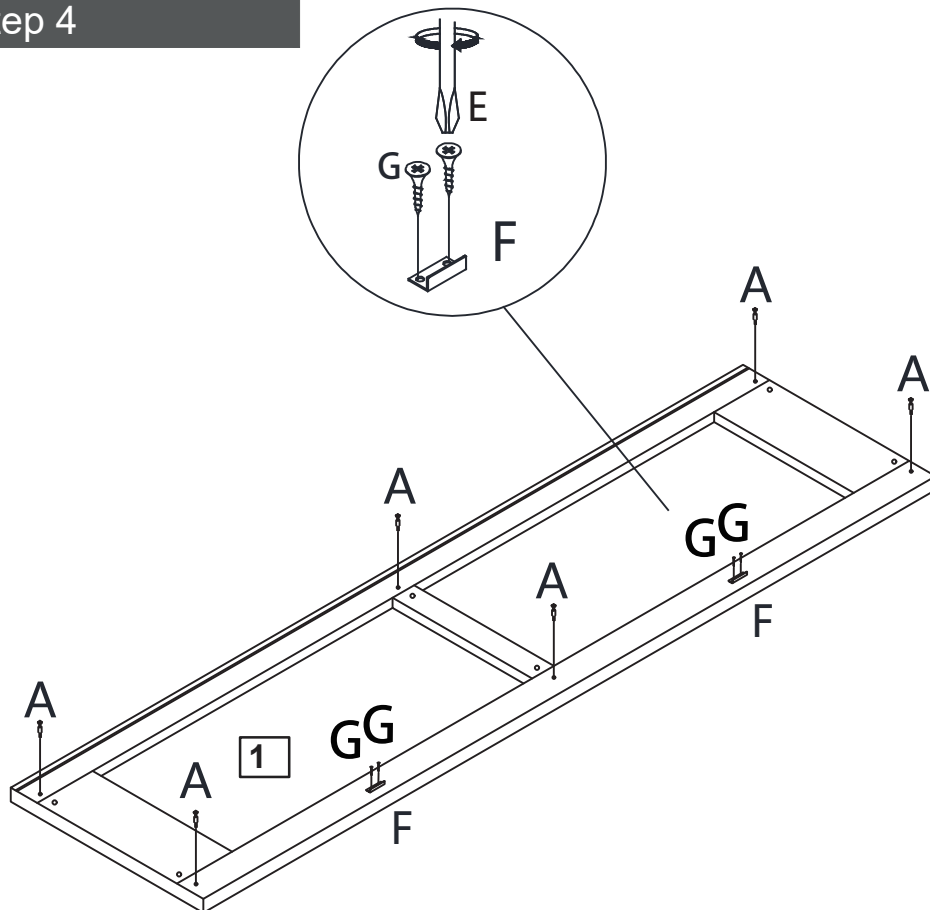
ASSEMBLY INSTRUCTION


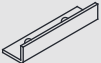

ITEM:N715P392244

Step 3



Step 4

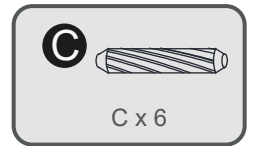
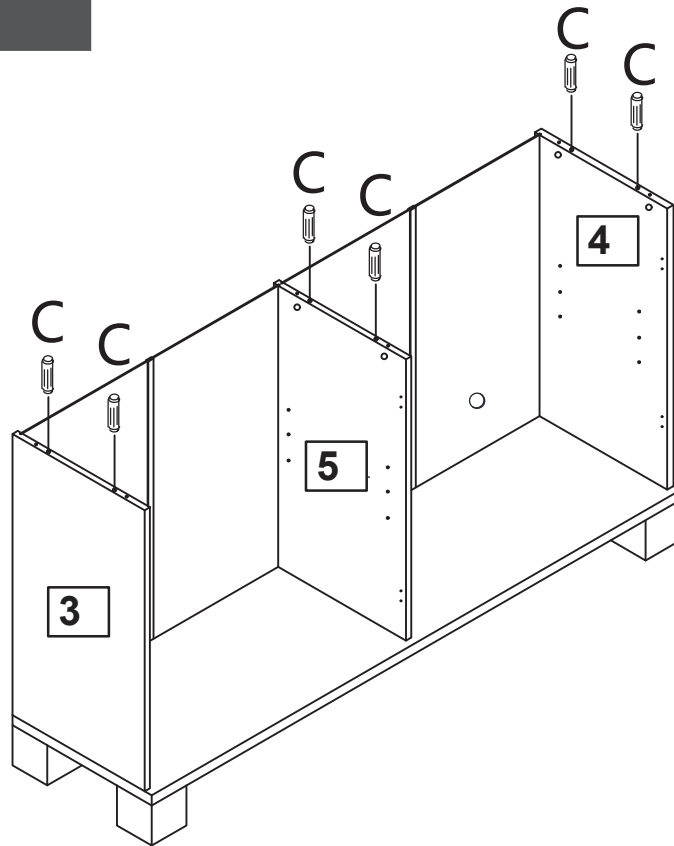


- A**  A x 6
- F**  F x 2
- G**  G x 4

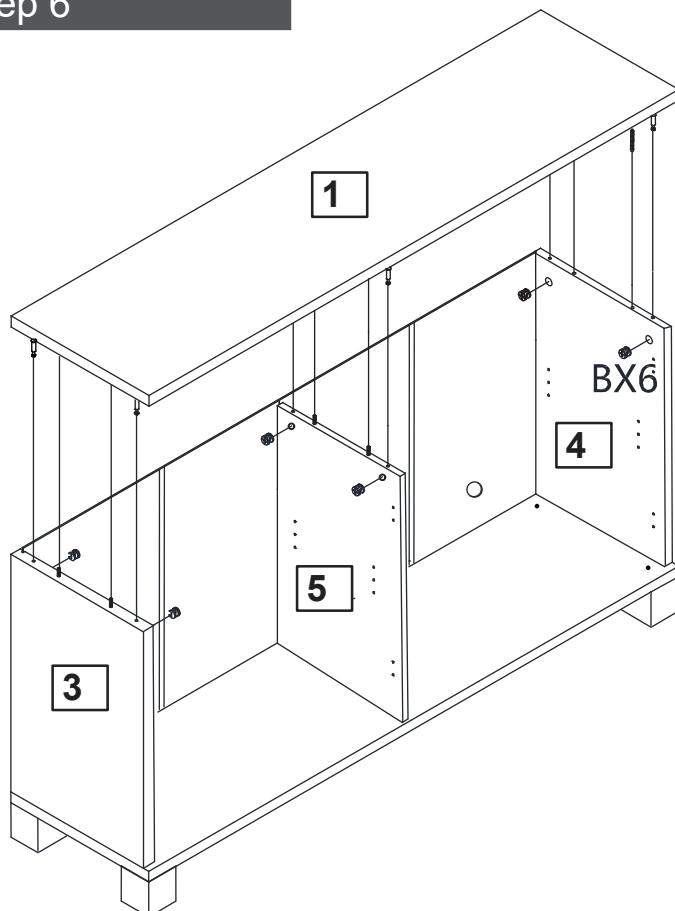
ASSEMBLY INSTRUCTION

ITEM:N715P392244

Step 5



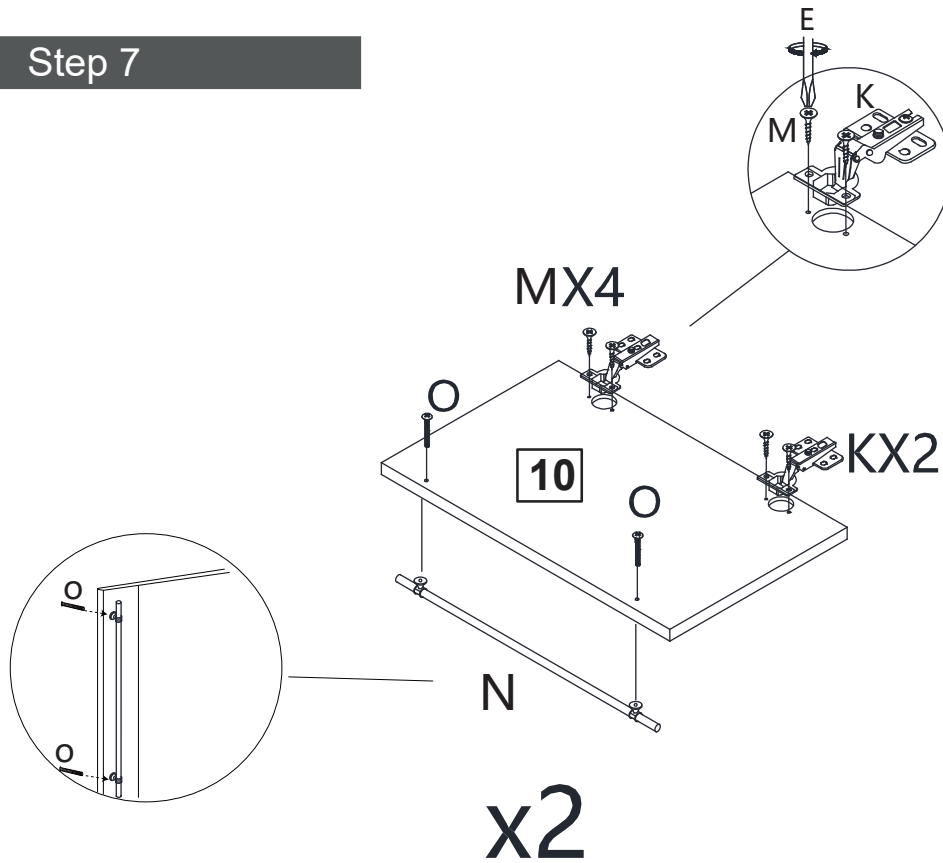
Step 6



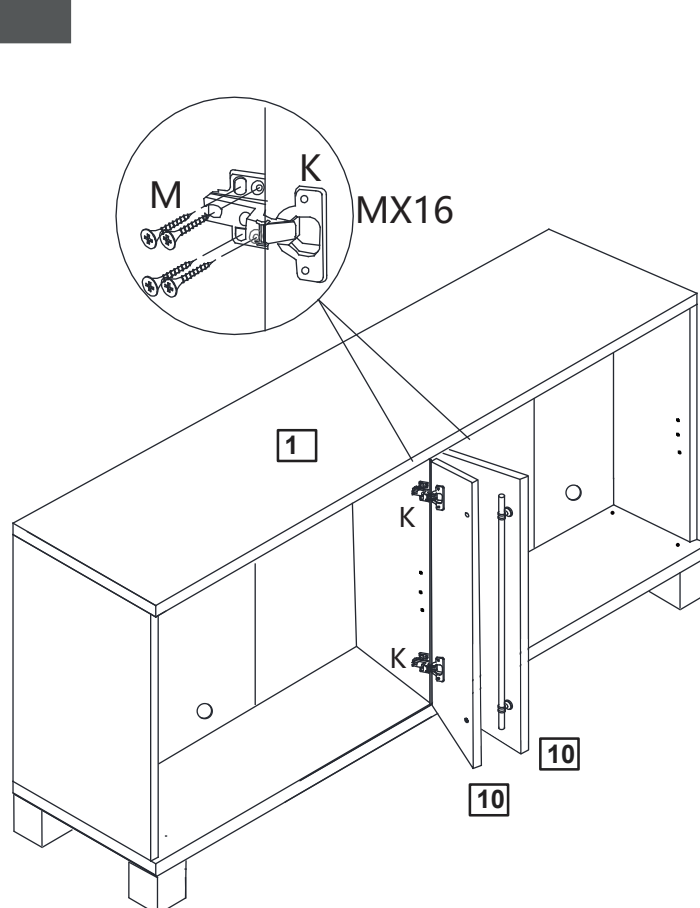
ASSEMBLY INSTRUCTION

ITEM:N715P392244

Step 7



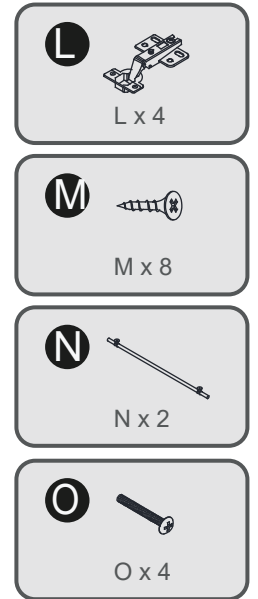
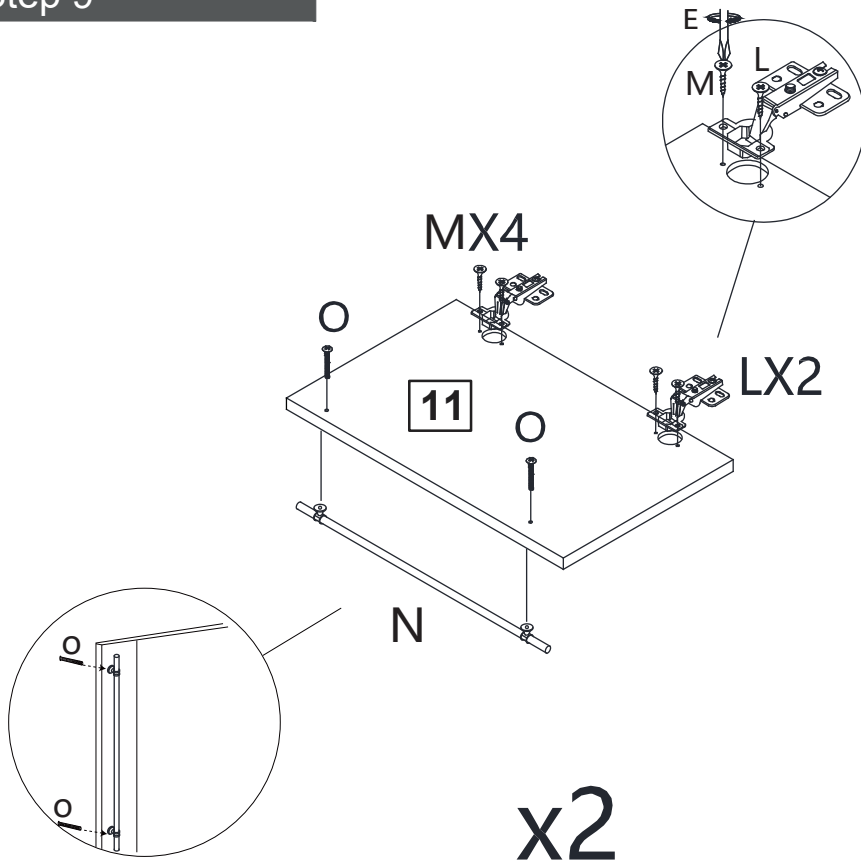
Step 8



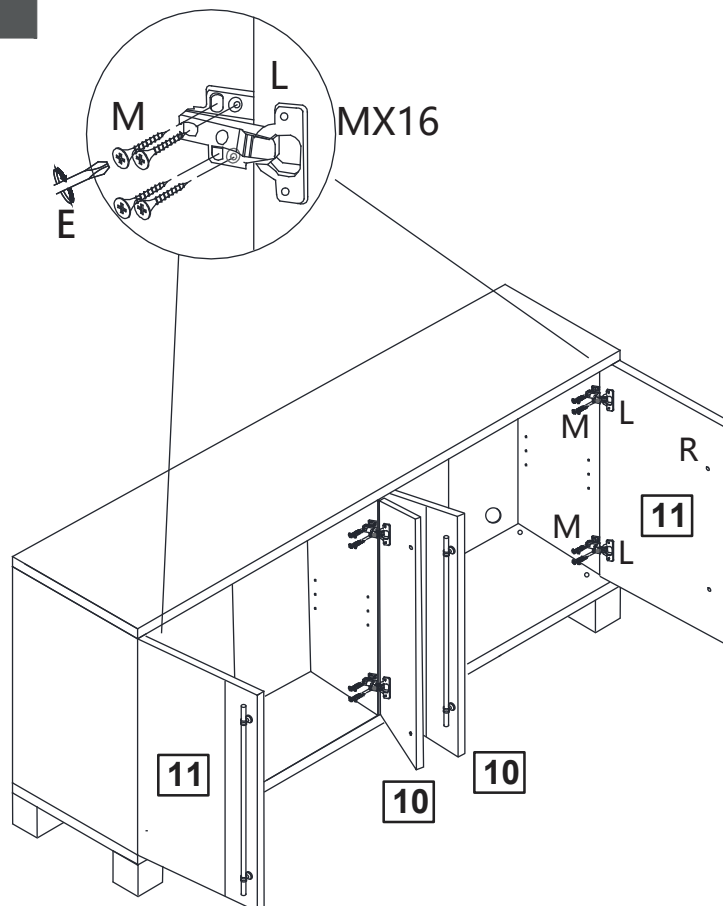
ASSEMBLY INSTRUCTION

ITEM:N715P392244

Step 9



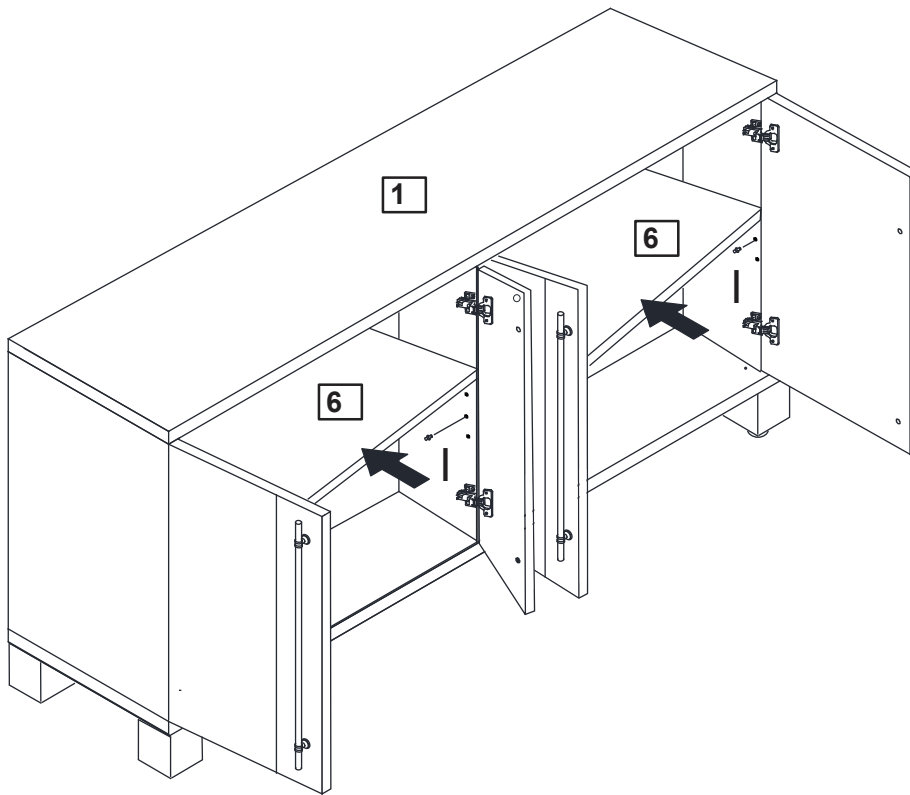
Step 10



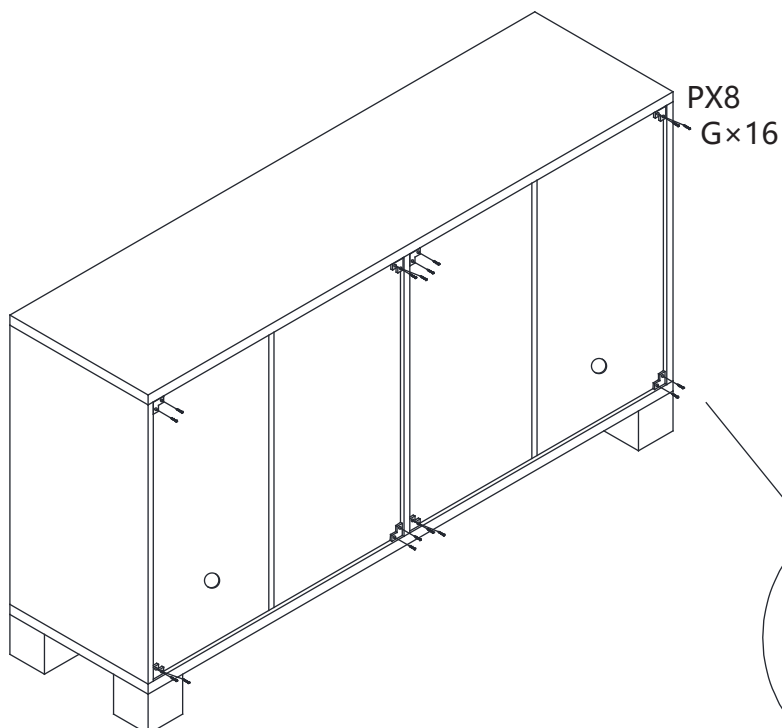
ASSEMBLY INSTRUCTION

ITEM:N715P392244

Step 11



Step 12

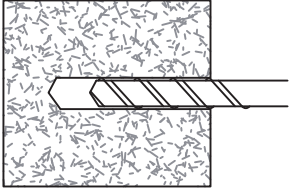


ASSEMBLY INSTRUCTION

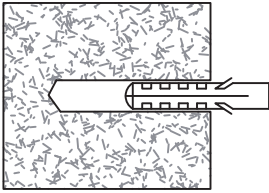
ITEM:N715P392244

Step 13

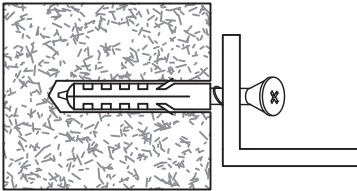
ANCHORING CABINET



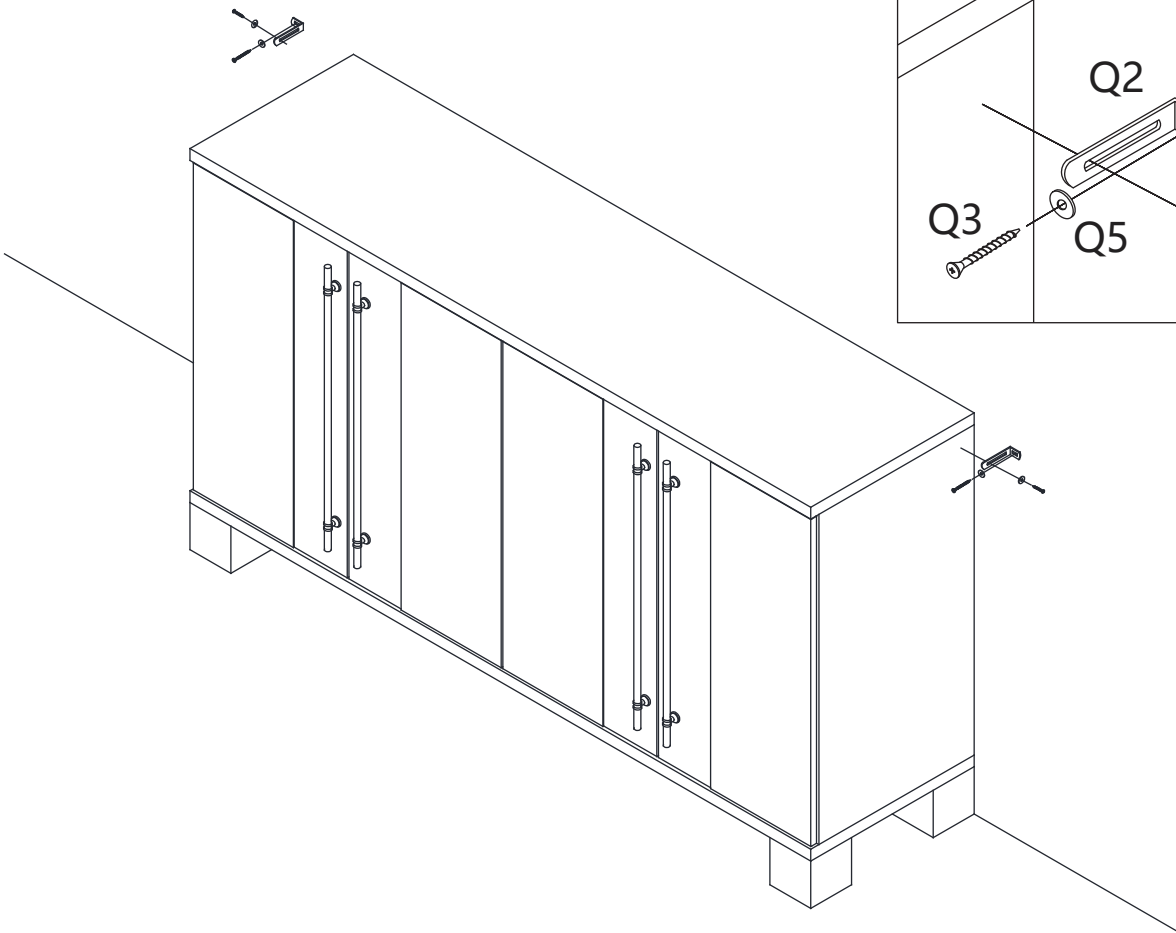
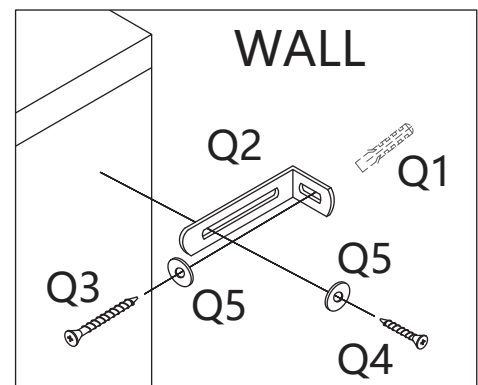
1. Use electric drill to drill a hole on the wall, the diameter and depth need to keep same with wall plug (Q1) provided (4*30mm)



2. Use a rubber hammer to knock wall plug (Q1) into the wall



3. Insert the longer screw (Q3) through washer (Q5) & L bracket (Q2) provided as shown below. Attach screw & washer (Q4,Q5) onto cabinet's sides to hold it.



Assembly is complete.

ASSEMBLY INSTRUCTION

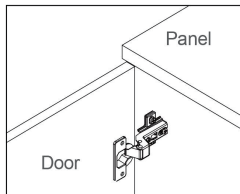
ITEM:N715P392244

Assembly Steps(EN) / Montageschritte(DE)

HOW TO ADJUST THE HINGES TO ALIGN THE DOORS IF NEEDED.

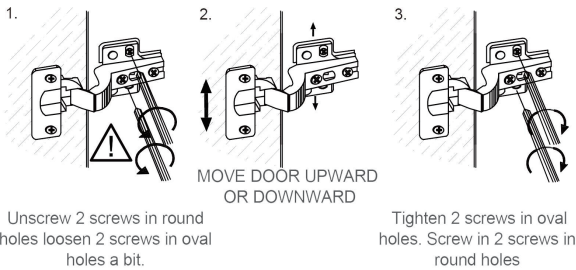
STEP 1

Open the door.



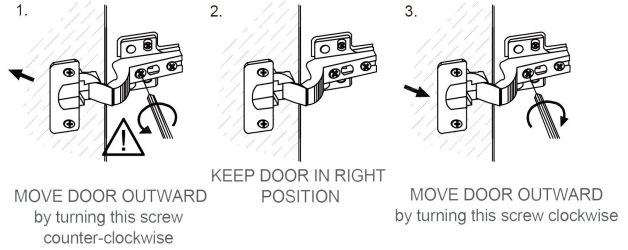
STEP 2

Adjust the door panels up or down



STEP 3

Adjust the flush between door panel and side panel



STEP 4

Adjust the Gap between door panel and side panel

