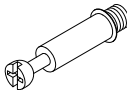



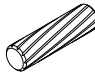


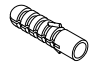


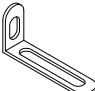
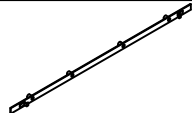

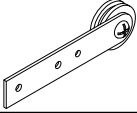


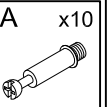
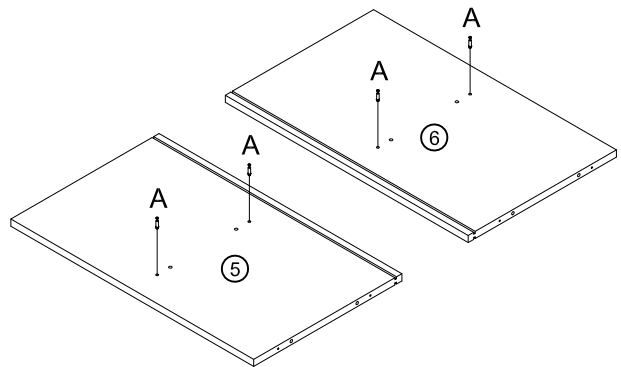
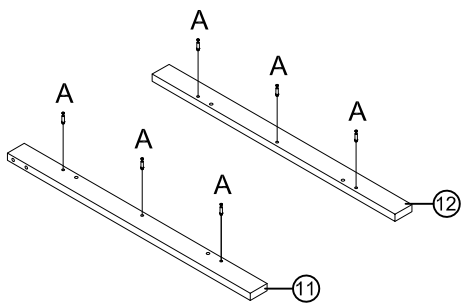
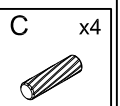
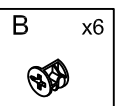
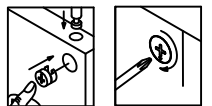
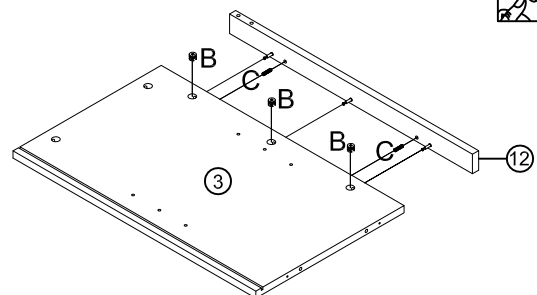
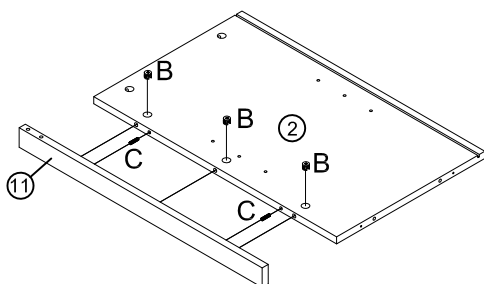


A	 Φ6x35	37PCS	I	 Φ3x14	8PCS
B	 Φ15x10	37PCS	J		8PCS
C	 Φ8x30	40PCS	K		2PC
D	 Φ4x35	10PCS	L		2PCS
E	 Φ4*10	4PCS	M	 M6*25	4PCS
F		2PCS	N		1PC
G	 Φ4x12	10PCS	O		4PCS
H		8PCS	P	 Φ 20	6PCS

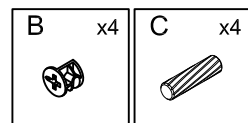
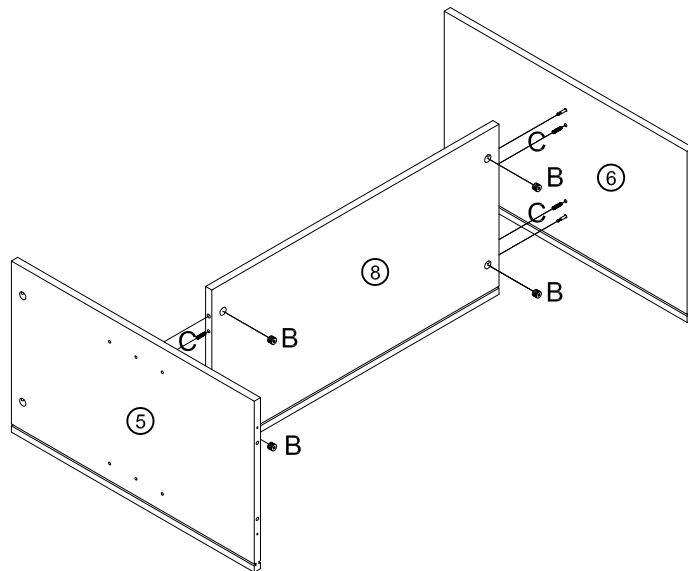
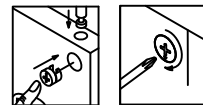
1



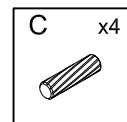
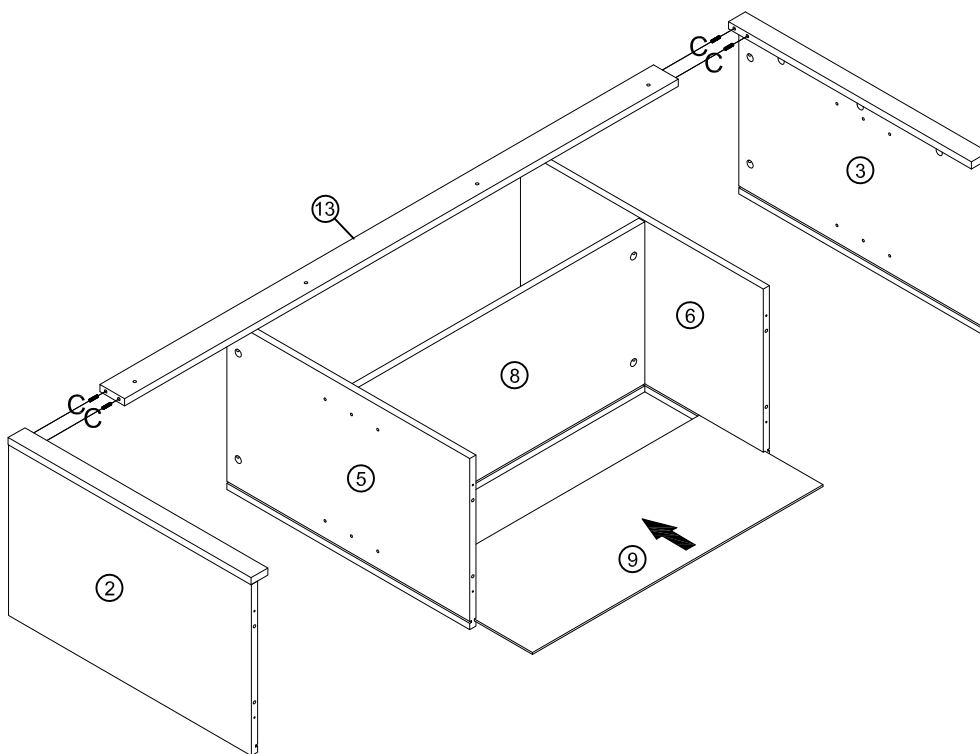
2



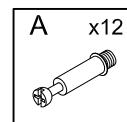
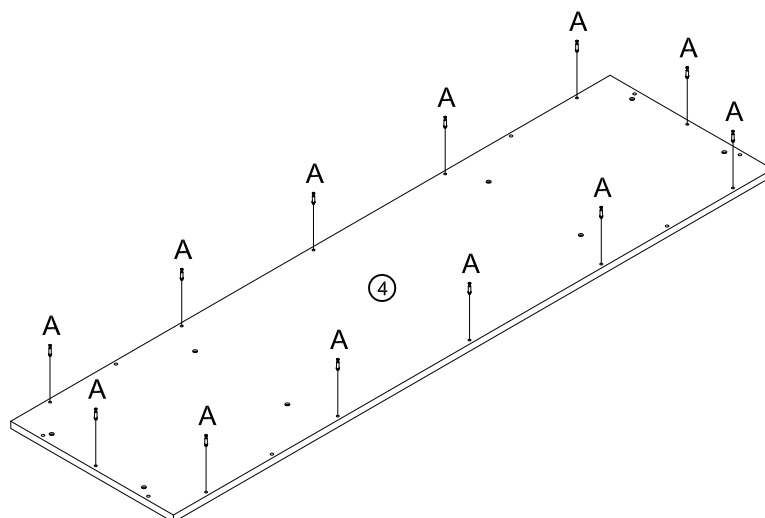
3



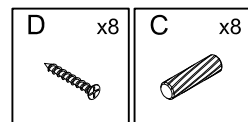
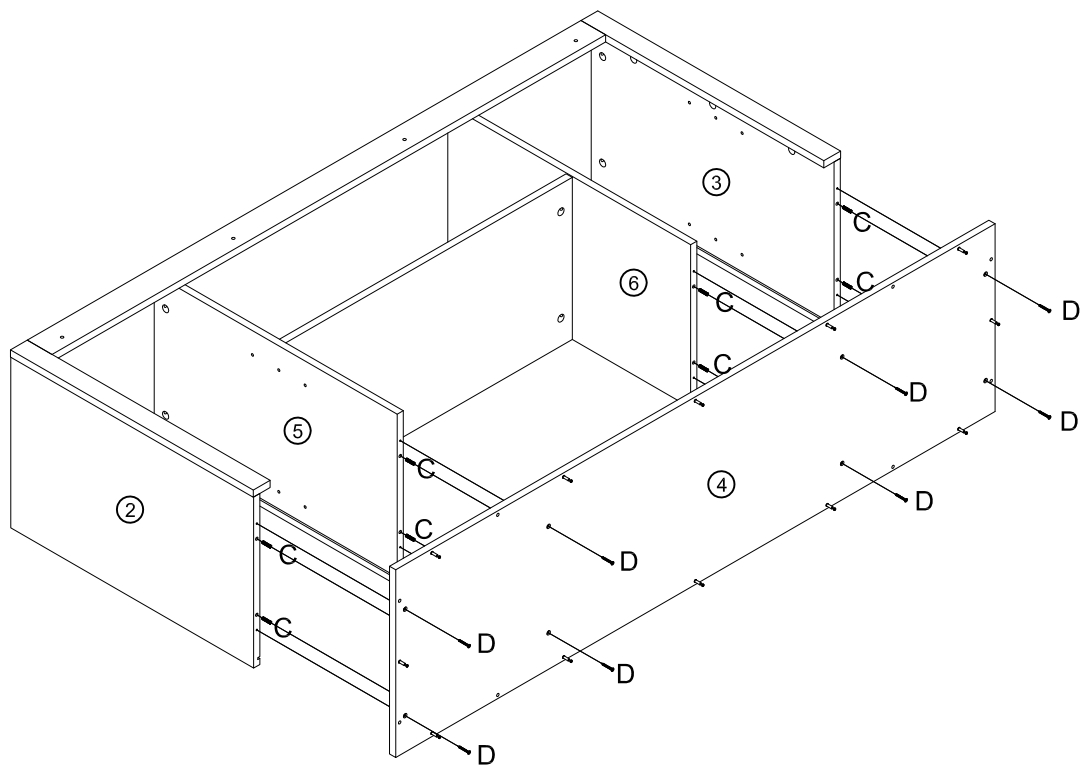
4



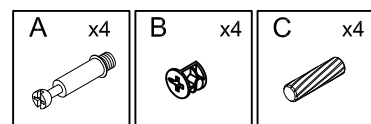
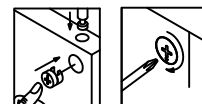
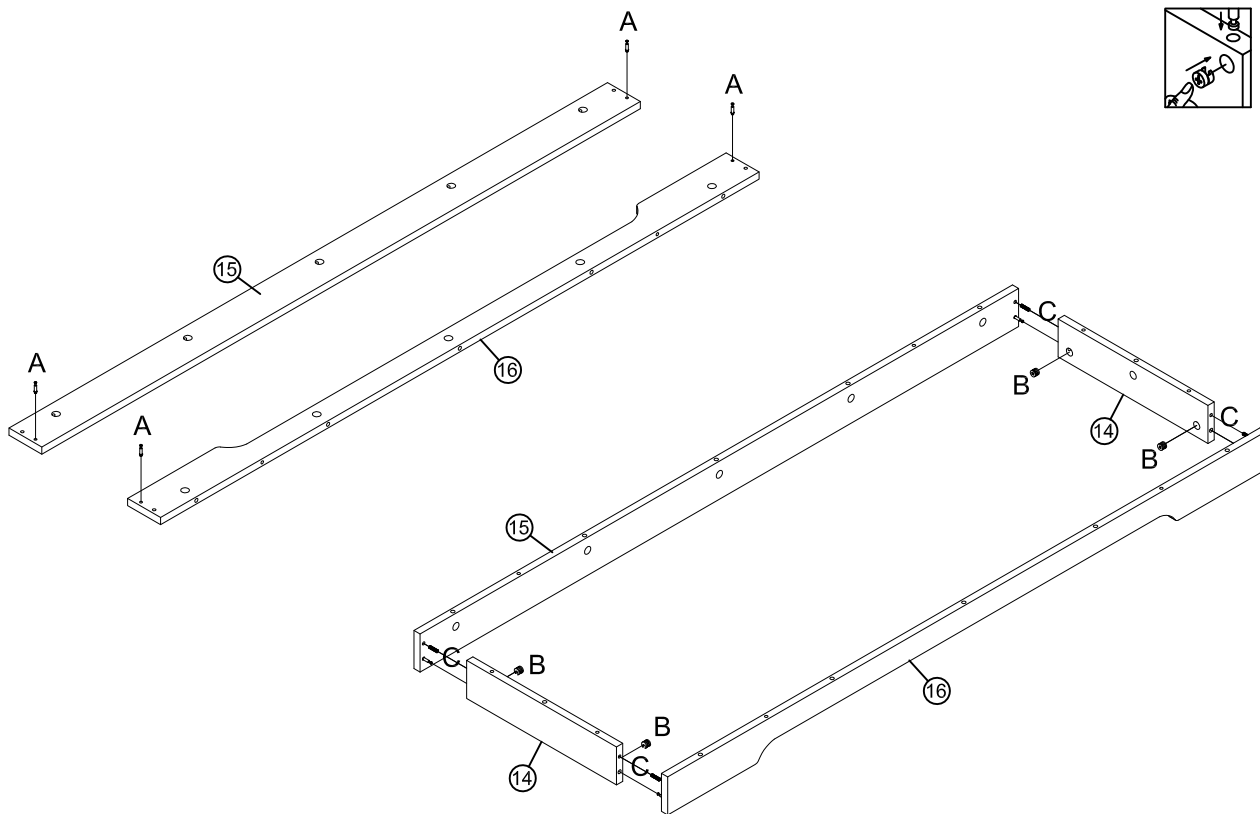
5



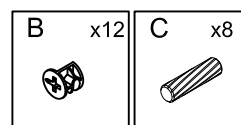
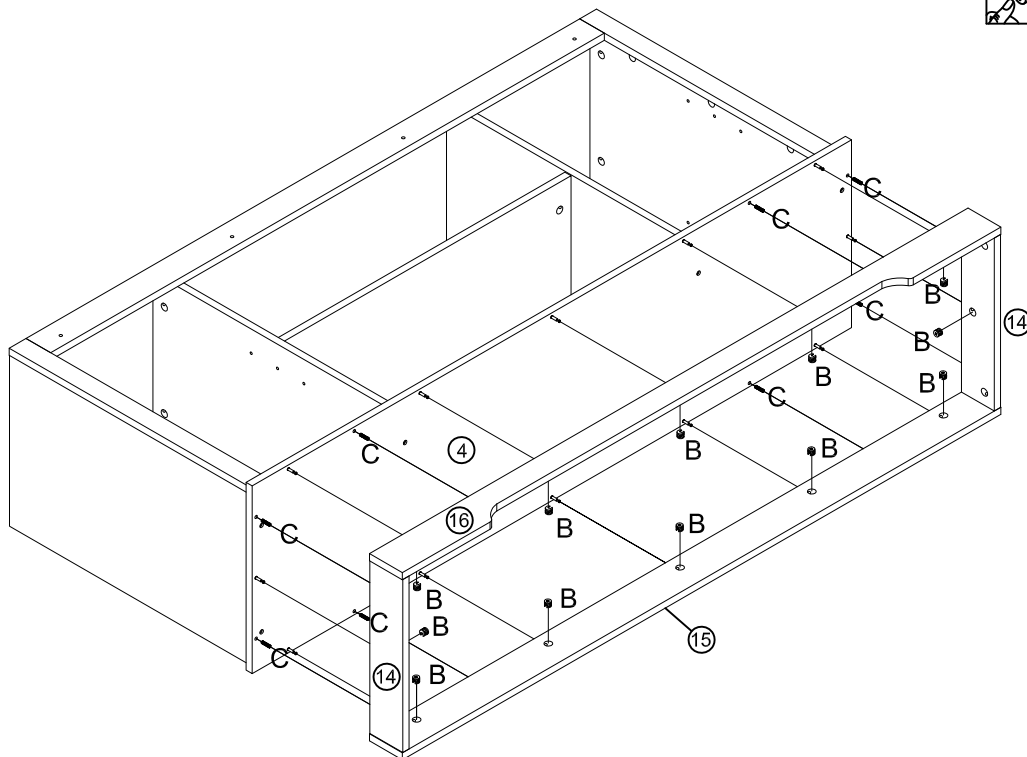
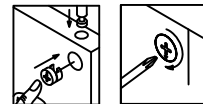
6



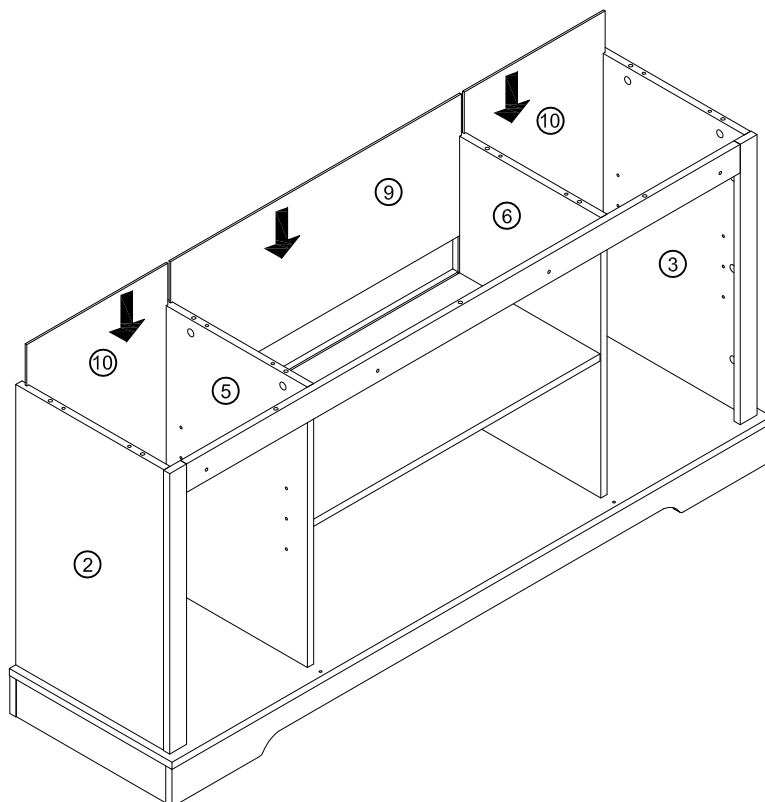
7



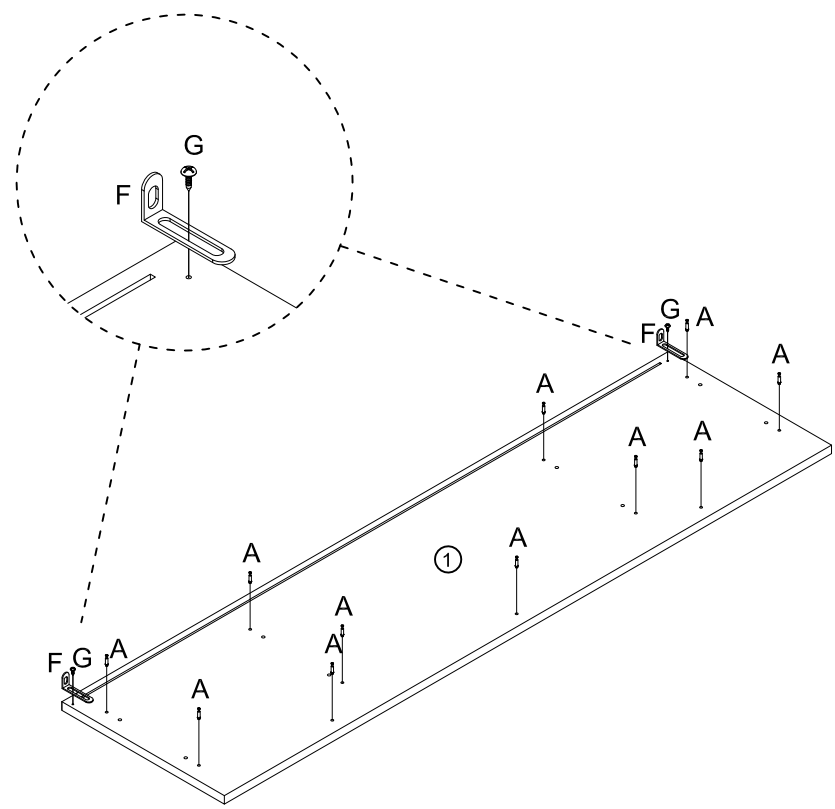
8



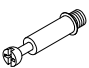


9

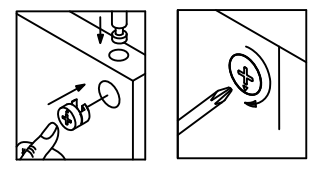
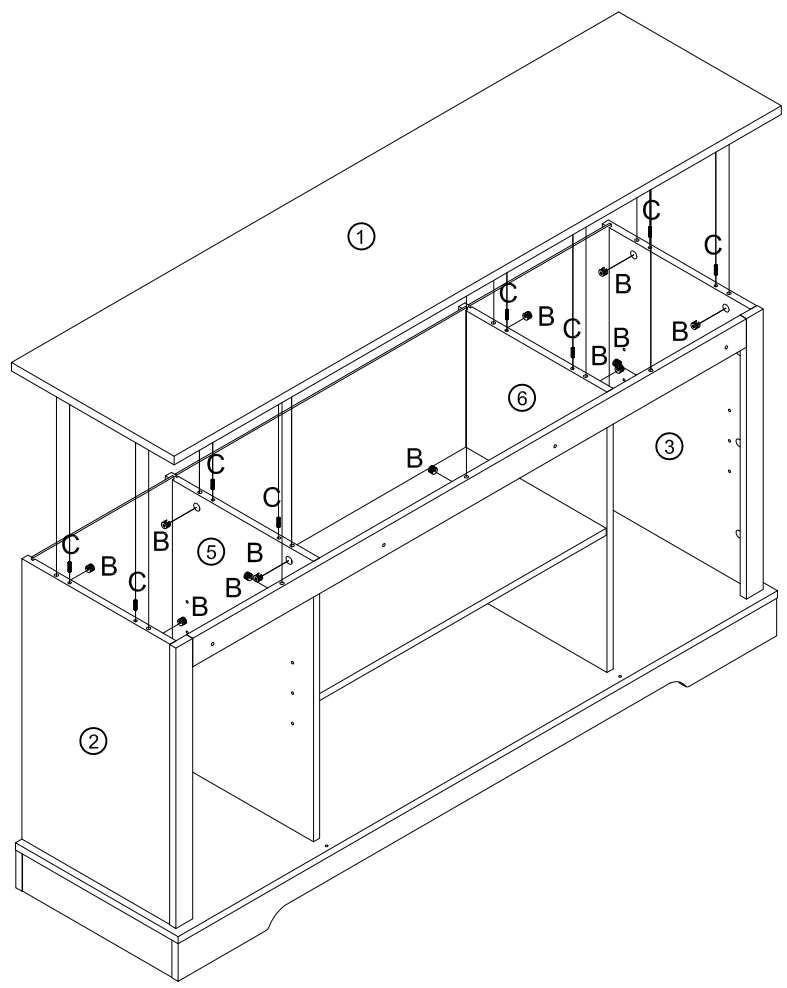




10



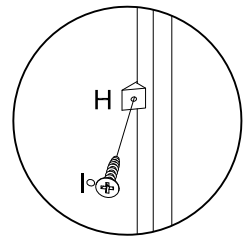
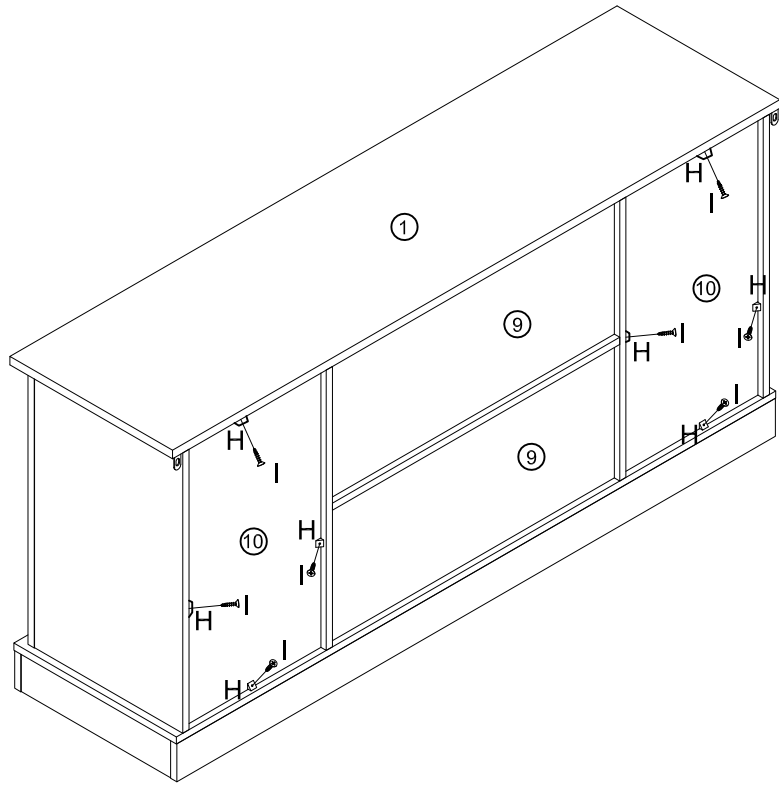
F x2 	G x2 	A x11 
--	--	---

11



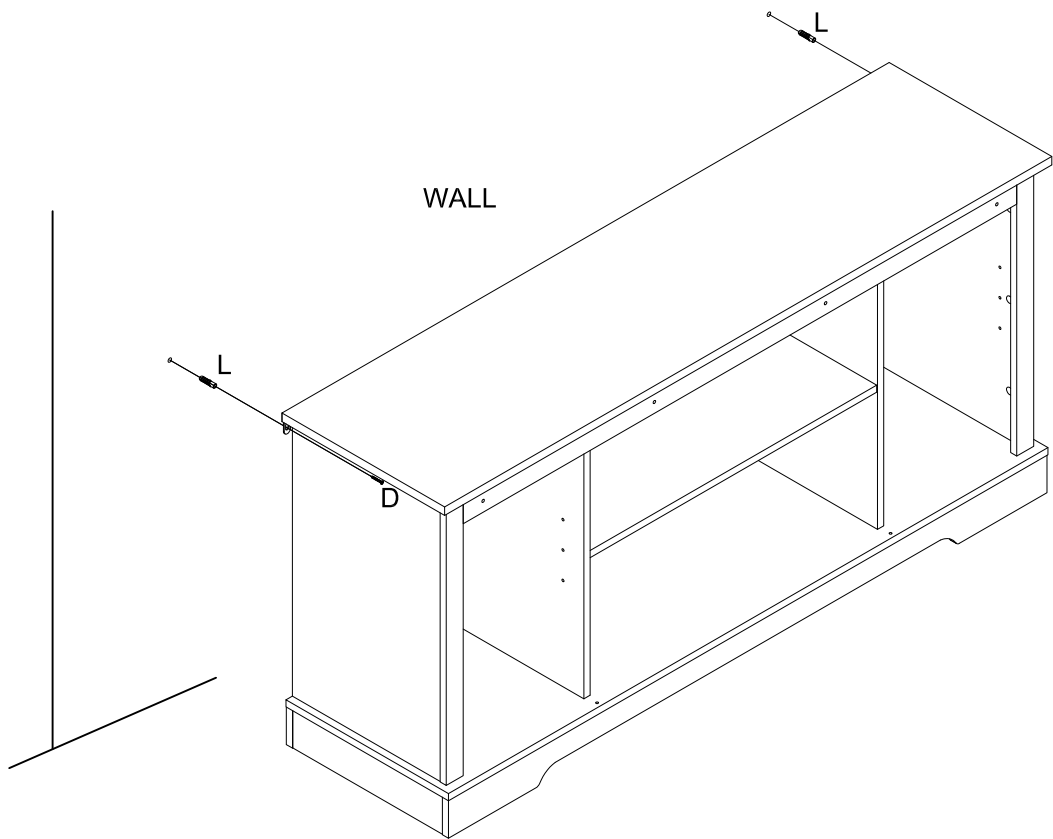
B x11 	C x8 
---	--

12



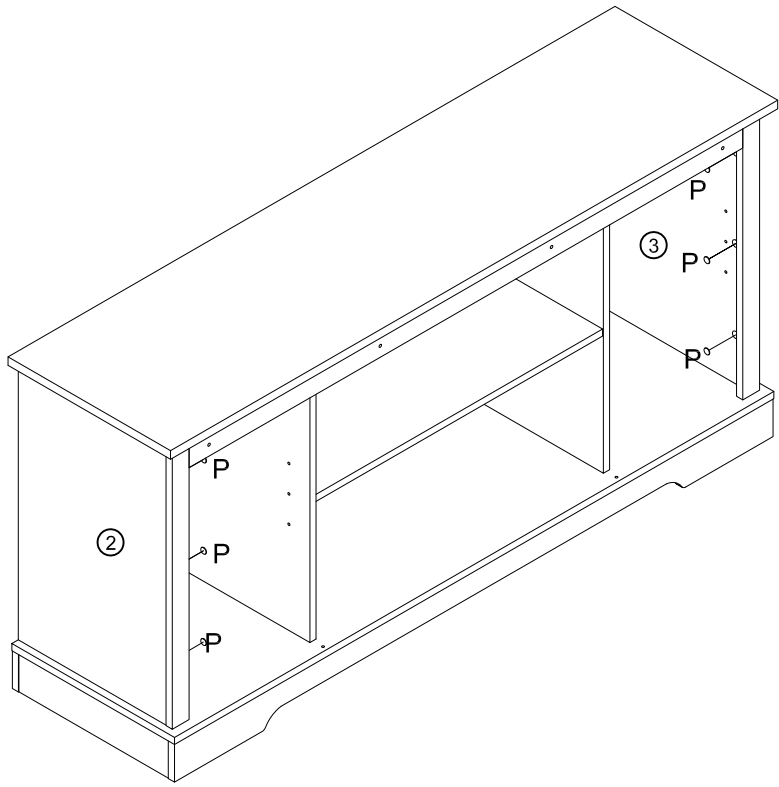
H x8	I x8

13



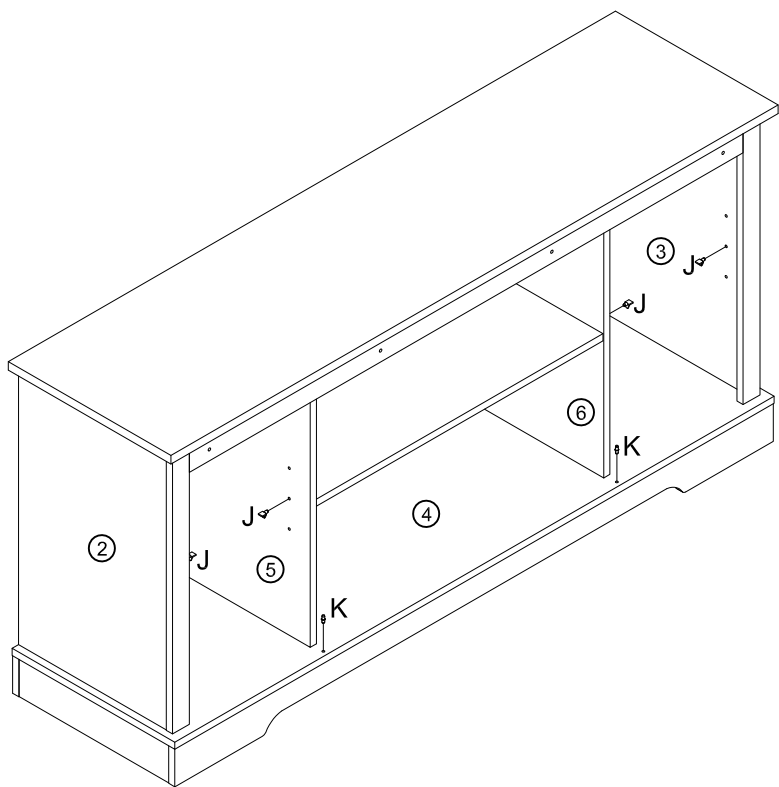
D x2	L x2



14



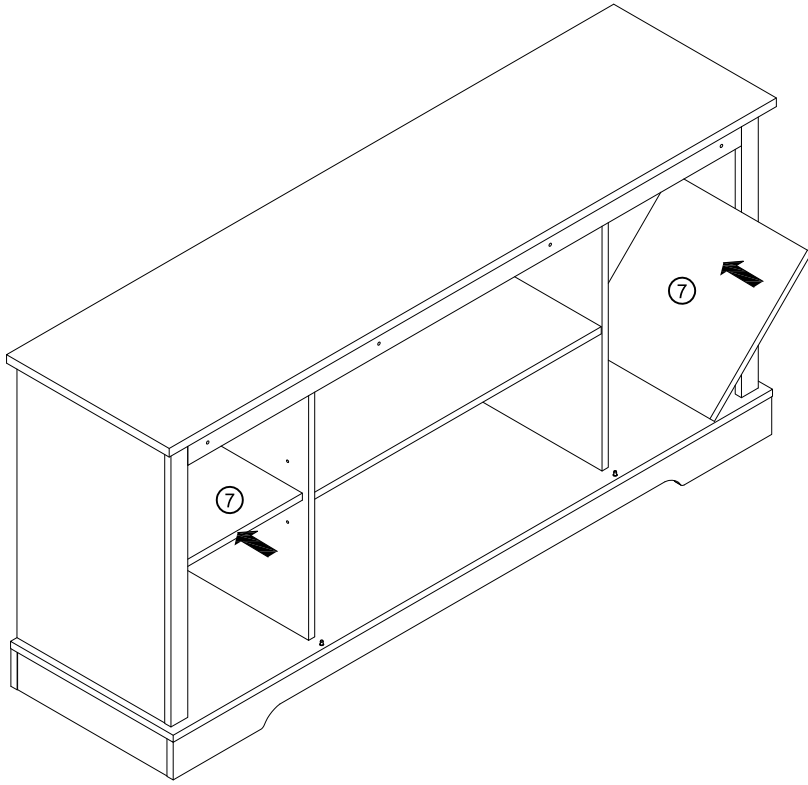
P x6
0

15

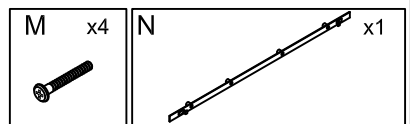
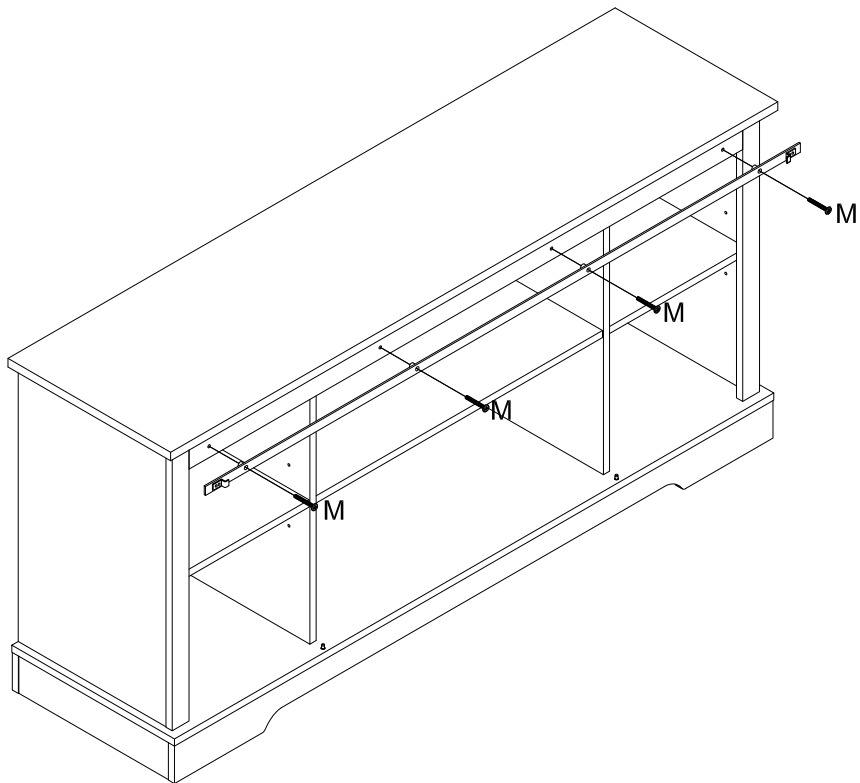


J x8	K x2
	

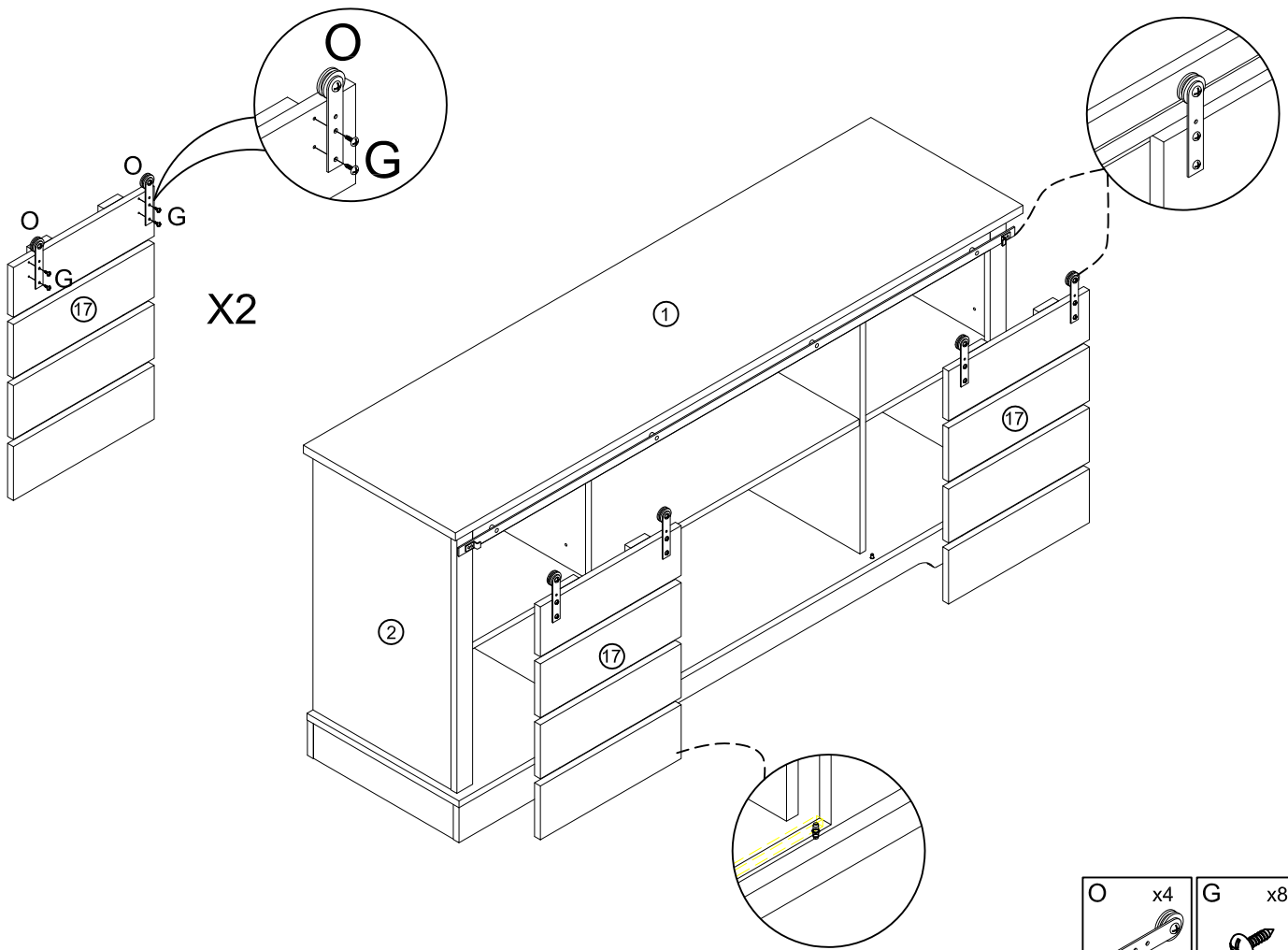
16



17



18



19

