

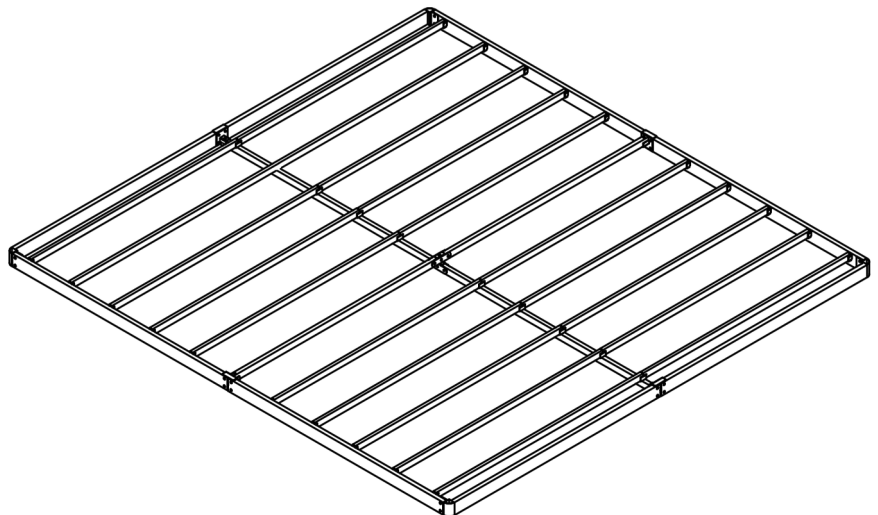
SBS SERIES

ASSEMBLY & INSTRUCTION

Size:King(05)/Cal King(06)

DO NOT RETURN DIRECTLY!

If any parts are missing or damaged, we will gladly ship replacements free of charge.



Weight Limit: 1500 Lb / 650 Kg

PLEASE READ BEFORE ASSEMBLY

****Read Before Beginning Assembly****

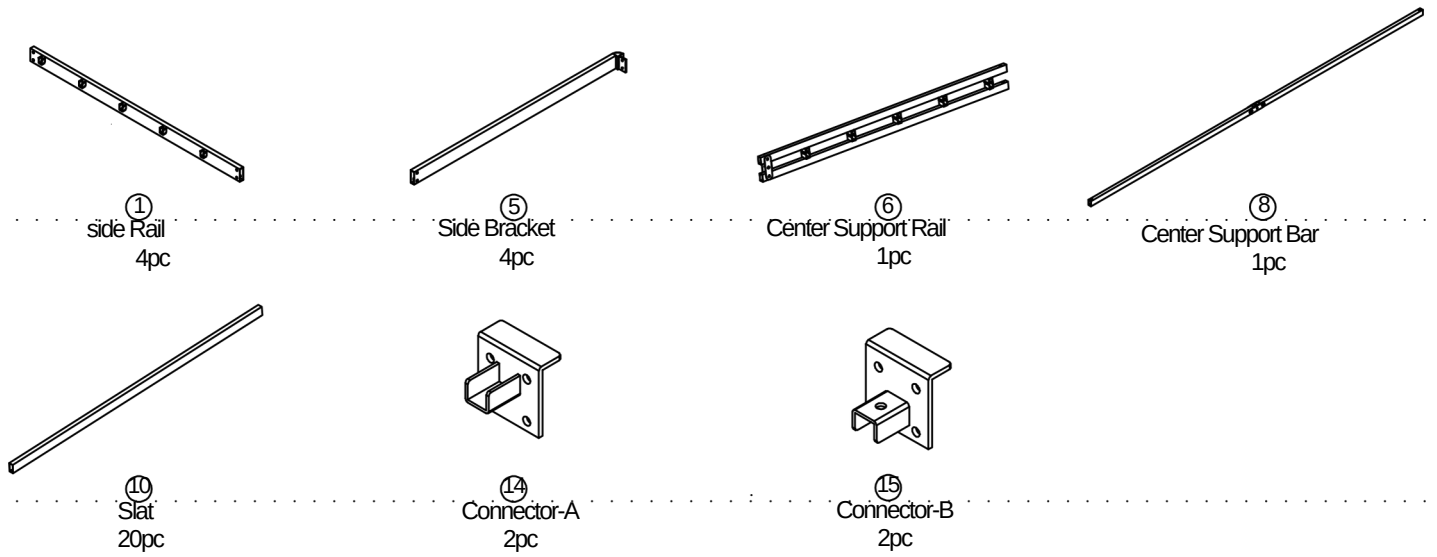
1. Clear the area: Assemble in a spacious area near the product's final location, preferably on a carpet or protected surface (like the product's cardboard packaging) to safeguard both your floor and the product.
2. It is recommended that two people assemble this product. If one person assembles it, you can use the wall, door, table, and other auxiliary support to install it.
3. Check for all parts: Most parts are labeled or stamped on the raw edge. Ensure all parts are included before starting.
4. Read each step carefully: Follow the assembly steps in the correct order. Skipping steps or changing the sequence can lead to difficulties.
5. **IMPORTANT:** Do not fully tighten any bolts until the entire unit is assembled. This will allow for proper alignment and adjustment during the assembly process.

****Caution****

1. **CHOKING HAZARD - Small Parts:** This product contains small parts. Keep out of reach of children.
2. Please use electric tools carefully to prevent overload damage to the product.

****Warranty Information****

1. We warrant this product to be free from defects in materials and workmanship for three years from the date of original purchase. Proof of purchase is required for all warranty claims.
2. This warranty covers the repair or replacement of defective parts only; assembly labor is not included.
3. This warranty does not apply to product that has been improperly assembled, subjected to misuse or abuse, or altered or repaired in any way. Liability for consequential damages is excluded to the extent permitted by law.



This product only includes the parts numbered above, and the missing numbers are not used in this product.

Hardware Kit



A×25PCS
M6×22



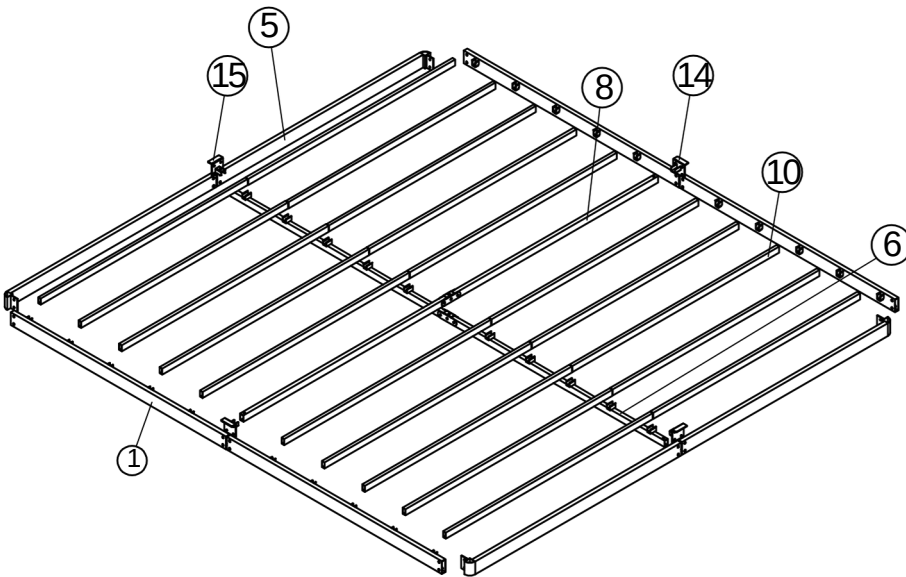
B×5PCS
M6×32



A Among them, one is a spare part.

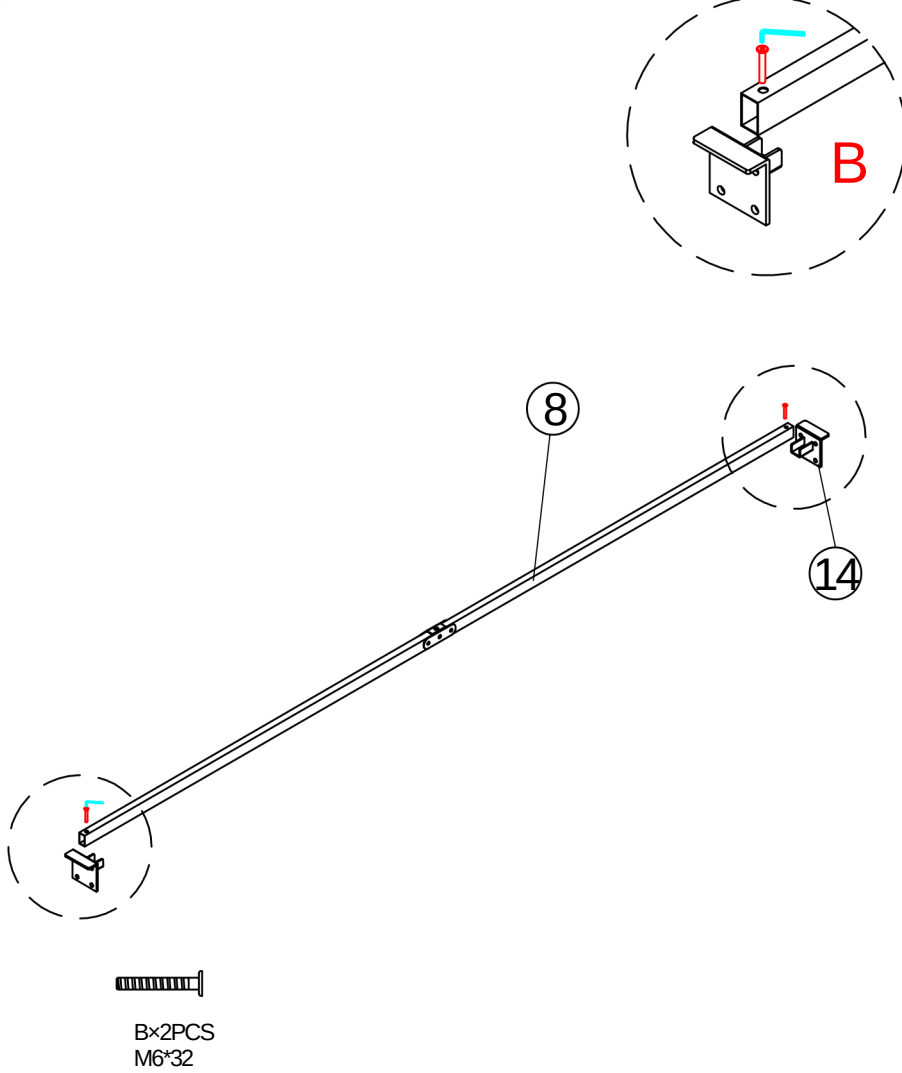
Parts

- This page lists all the items included in this package. Please take a moment to identify the hardware and individual components before beginning assembly.
- When assembling, since there are gaps in the holes, minor adjustments need to be made when tightening the screws



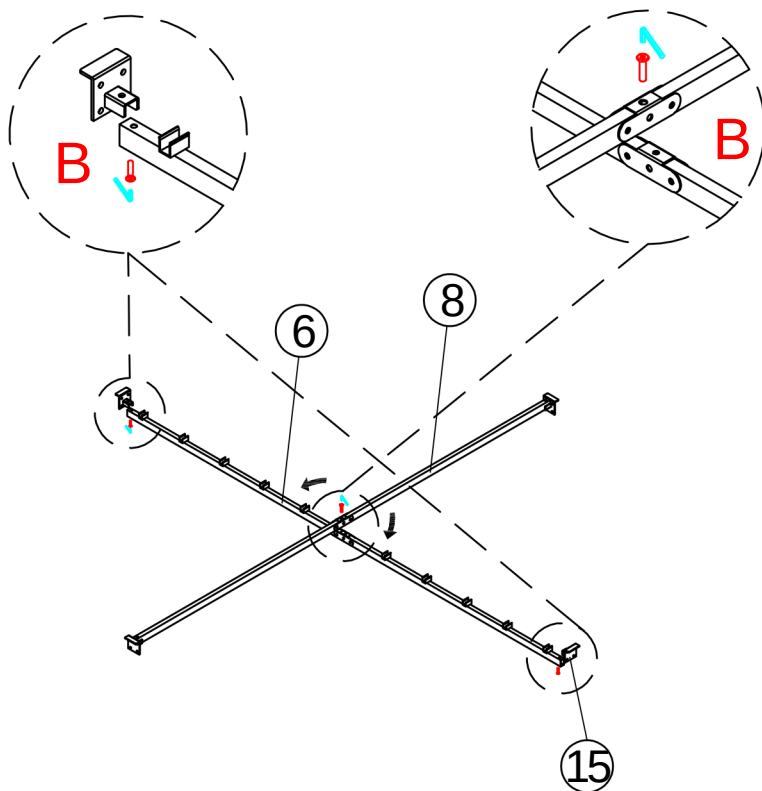
Step 1: Install the Connectors-A

- Align center support bar ⑧ with the two connectors ⑭;
- Insert bolts (B) into the pre - drilled holes;
- Hand - tighten all bolts initially to secure proper alignment before final connecting.



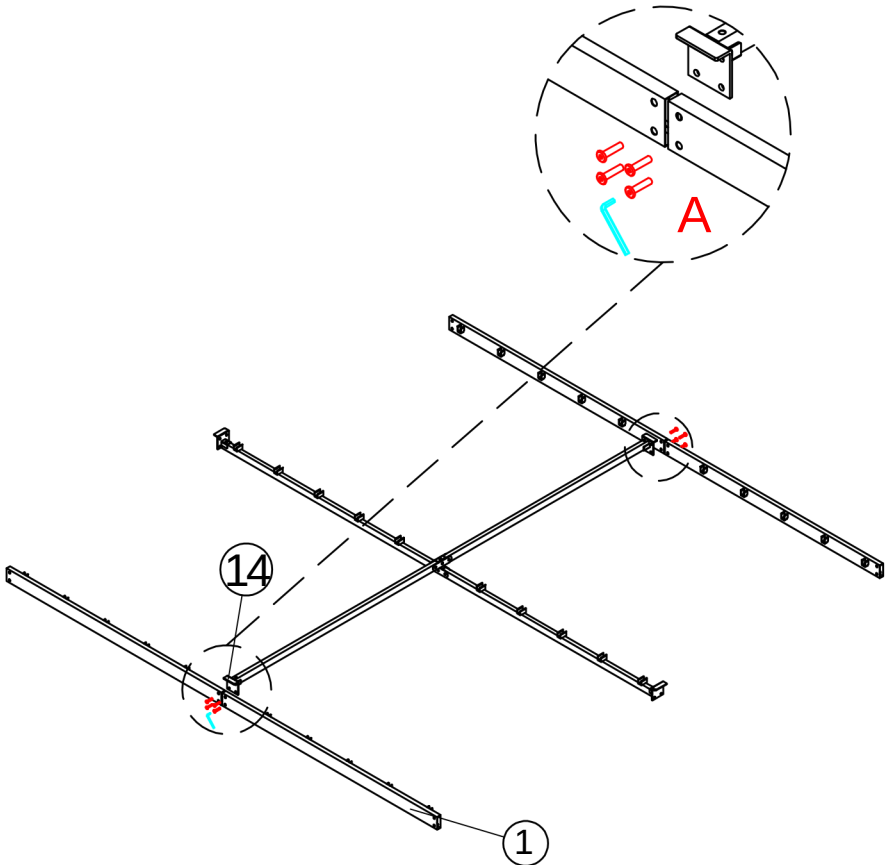
Step2: Install Center Support Rail with the Connectors-B

- Open center support rail ⑥; Align center support bar ⑧ with the two connectors-B (15);
- Insert bolts (B) into the pre-drilled holes;
- Hand - tighten all bolts initially to secure proper alignment before final connecting.



Step 3: Install Side Rail

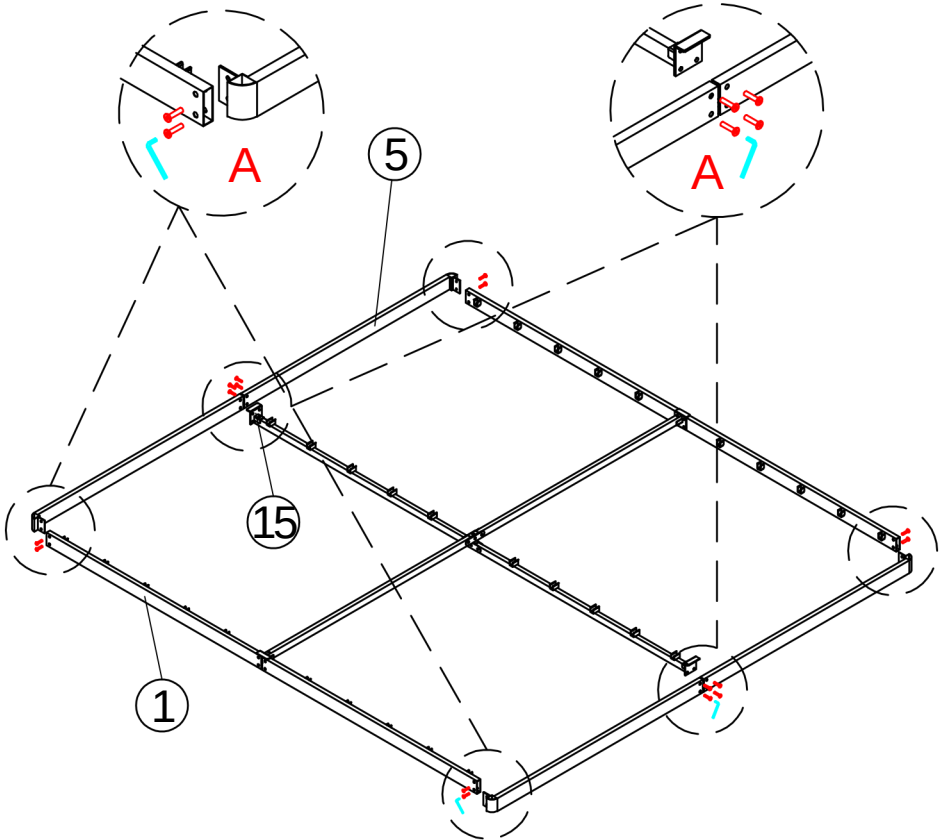
- Align side rail ① with pre-drilled hole on connector ⑭; ensure bolt (A) in the hole
- Use wrench to fully connect all bolts



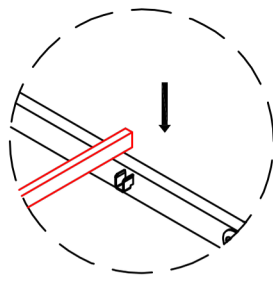
A×8PCS
M6×22

Step 4: Install Side Bracket

- Align side rail ① and connector (15) with holes on side bracket ⑤. Ensure bolt (A) is properly seated.
- Use the wrench to fully connect all bolts

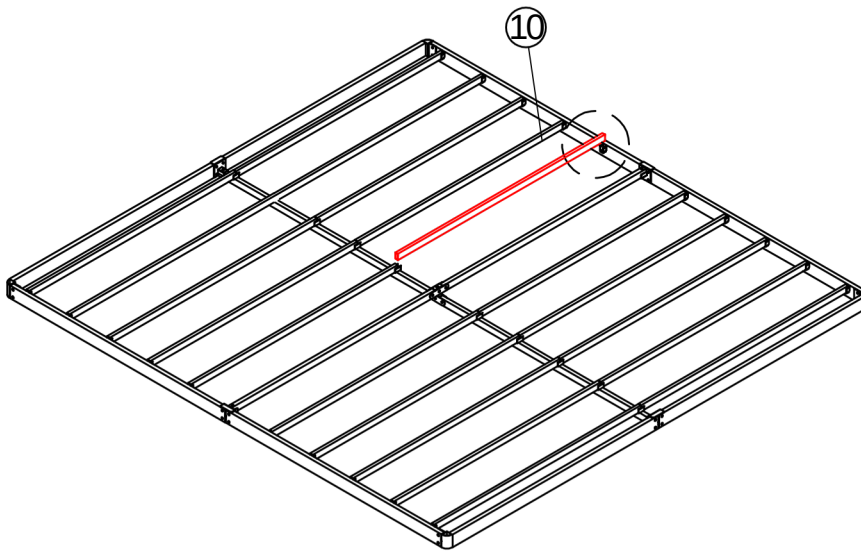


A×16PCS
M6×22



Step 5: Install Bed Slats

- Place all bed slats ⑩ across the side rails as shown in the diagram.
- Each slat should be securely positioned in the designated slots.



Step 6: Check the screws one by one and tighten all the screws completely.

IMPORTANT INFORMATION

****REPLACEMENT PART OR HARDWARE REQUEST****

1. Request a replacement by logging into the marketplace account in which the purchase was made and sending a message to the seller. To expedite the request, attach applicable images relevant to the request and/or include the part number and quantity.

****Warnings****

1. Age Restriction: The bed is not designed for children under 4 years old.
2. For your safety: Jumping, rough play, or other vigorous activities on the bed are not recommended as they may cause injury or damage to the bed frame.
3. Weight Limit: The maximum combined weight on the bed should not exceed 1000 lbs. This includes the weight of the bed itself, mattresses, bedding, and people.
4. Do not drag or push the bed frame: Always use two people to lift and reposition the bedframe to avoid damage to the frame or the floor.

****Cleaning & Care****

1. Cleaning Method: Use a dry or slightly damp soft cloth for cleaning. Avoid abrasive cleaners, which can damage the finish.
2. Hardware Maintenance: Over time, hardware can loosen. Regularly check and tighten all connections to maintain the bed's stability and prevent damage.

Please keep these instructions for future reference!