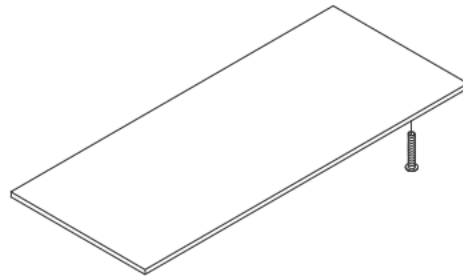


2 PERS.

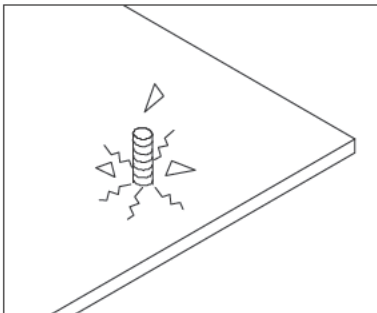
1. Matters needing attention

! WARNING	
	<p>Children have died from furniture tipover. To reduce the risk of furniture tipover:</p> <ul style="list-style-type: none">-ALWAYS install Anti-tip device provided.-NEVER put a TV on this product.-NEVER allow children to stand, climb or hang on drawers, doors, or shelves.-NEVER open more than one drawer at a time.-Place heaviest items in the lowest drawers. <p><i>This is a permanent label. Do not remove!</i></p>
	

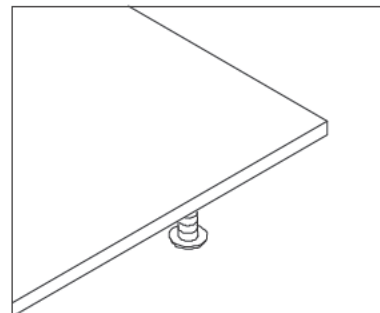
2. Matters needing attention



Be sure to use the proper screws to avoid damaging the parts



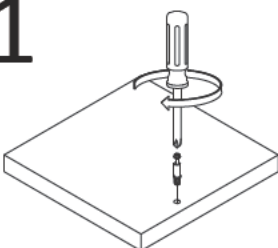
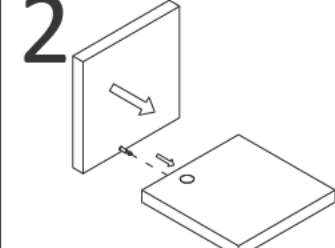
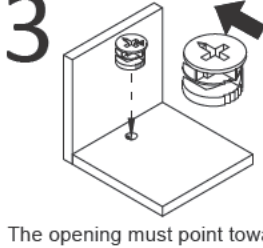
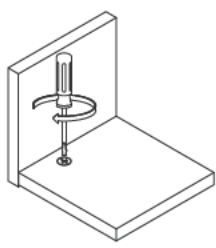
Wrong screws can cause the plank to crack



The right screw is the right size

Cam Lock Fastening System

Insert the cam bolt into the hole first, then insert the cam lock and lock it.

1 	2 	3  <p>The opening must point toward the edge of the board</p>	4 
---	---	---	---

Installation parts



A

x84(+2)
Ø6x35mm



B

x86(+2)
Ø15x10mm



C

x48(+2)
Ø6x30mm



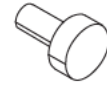
D

x43(+2)
Ø4x40mm



E

x52(+3)
Ø3.5x12mm



F

x4



G

x9



H

x42(+2)
Ø3x14mm



I

x38(+2)



J

x2
Ø4x12mm



K

x3
Ø3x10mm



L

x2
Ø6x30mm



M

x2
Ø6x40mm



N

x6



O

x1
Ø4x16mm



P

x2



Q

x12(+1)
Ø4x12mm



R

x2



S

x2



T

x4



U

x26(+2)
Ø3x12mm



V

x4



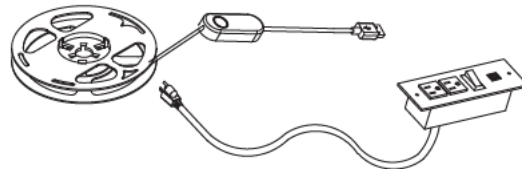
W

x1



X

x10



Y

x1

Z

x1



AA

x8
Ø6x40mm



BB

x1



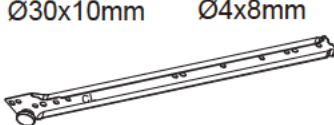
CC

x6
Ø30x10mm



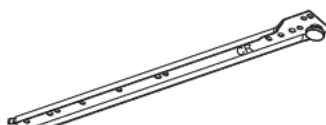
DD

x5
Ø4x8mm



CL

x5
L300mm



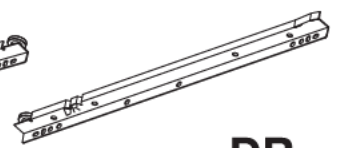
CR

x5
L300mm



DL

x5
L300mm

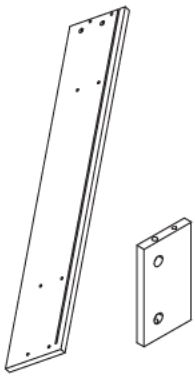


DR

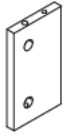
x5
L300mm

Please place all the boards in the order shown in the picture below, the installation will be easy and smooth

Mounting frame



1
x1



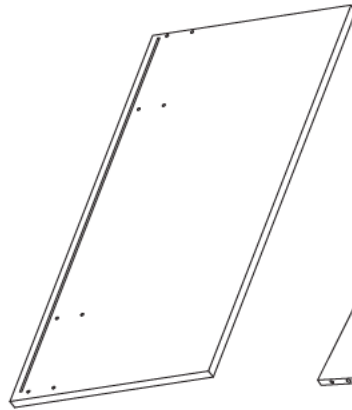
2
x4



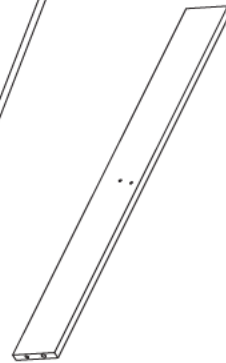
3
x1



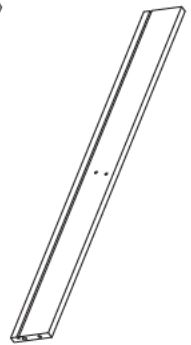
4
x1



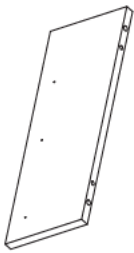
5
x1



6
x1



7
x1



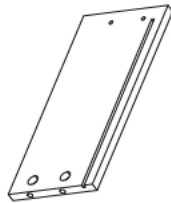
8
x1



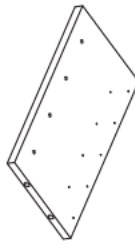
9
x1



10
x1



11
x1



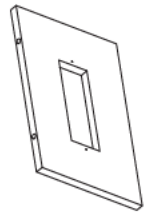
12
x1



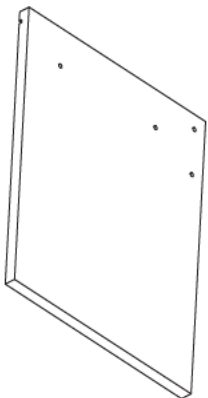
13
x1



14
x1



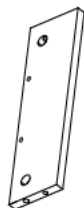
15
x1



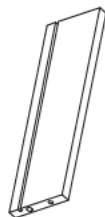
16
x1



17
x1



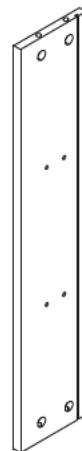
18
x1



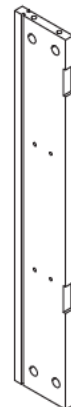
19
x1



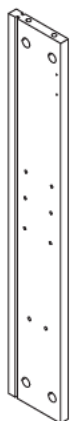
20
x1



21
x1



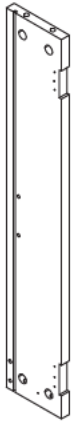
22
x1



23
x1



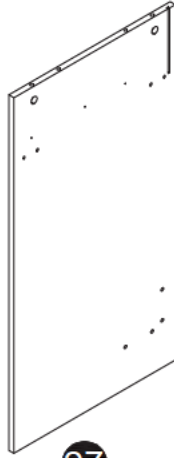
24
x1



25
x1



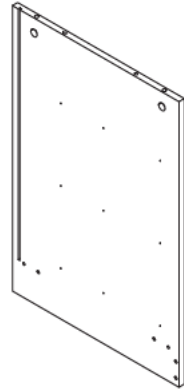
26
x1



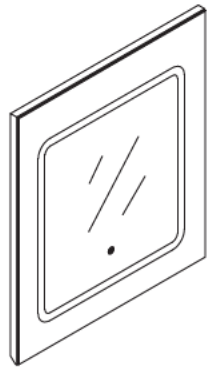
27
x1



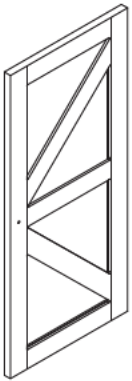
28
x1



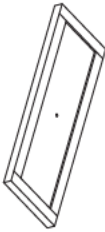
29
x1



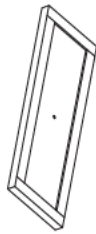
30
x1



31
x1



32
x1



33
x1



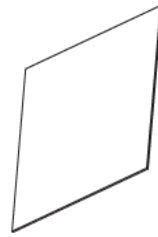
34
x5



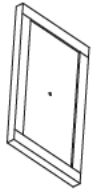
35
x5



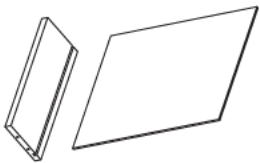
36
x2



37
x2



38
x3



41
x3



42
x3



43
x2



44
x1



45
x1



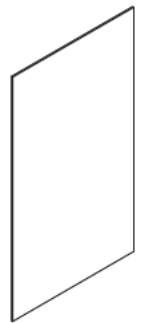
46
x1



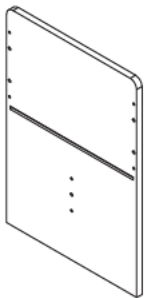
47
x1



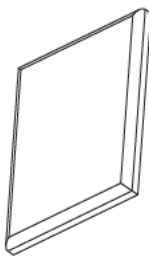
48
x1



49
x1



50
x2



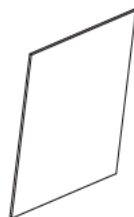
51
x1



52
x1



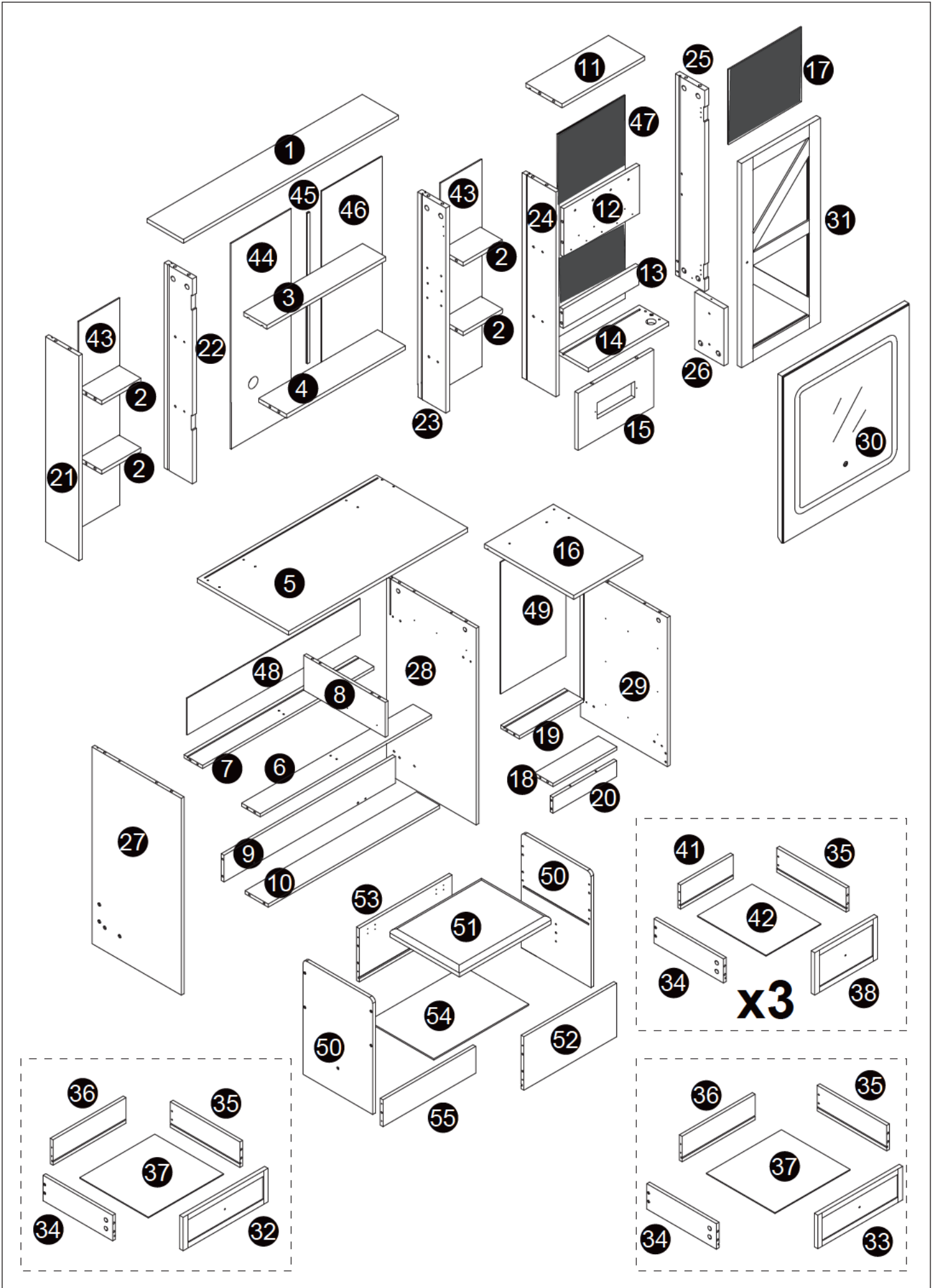
53
x1

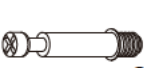


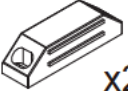
54
x1




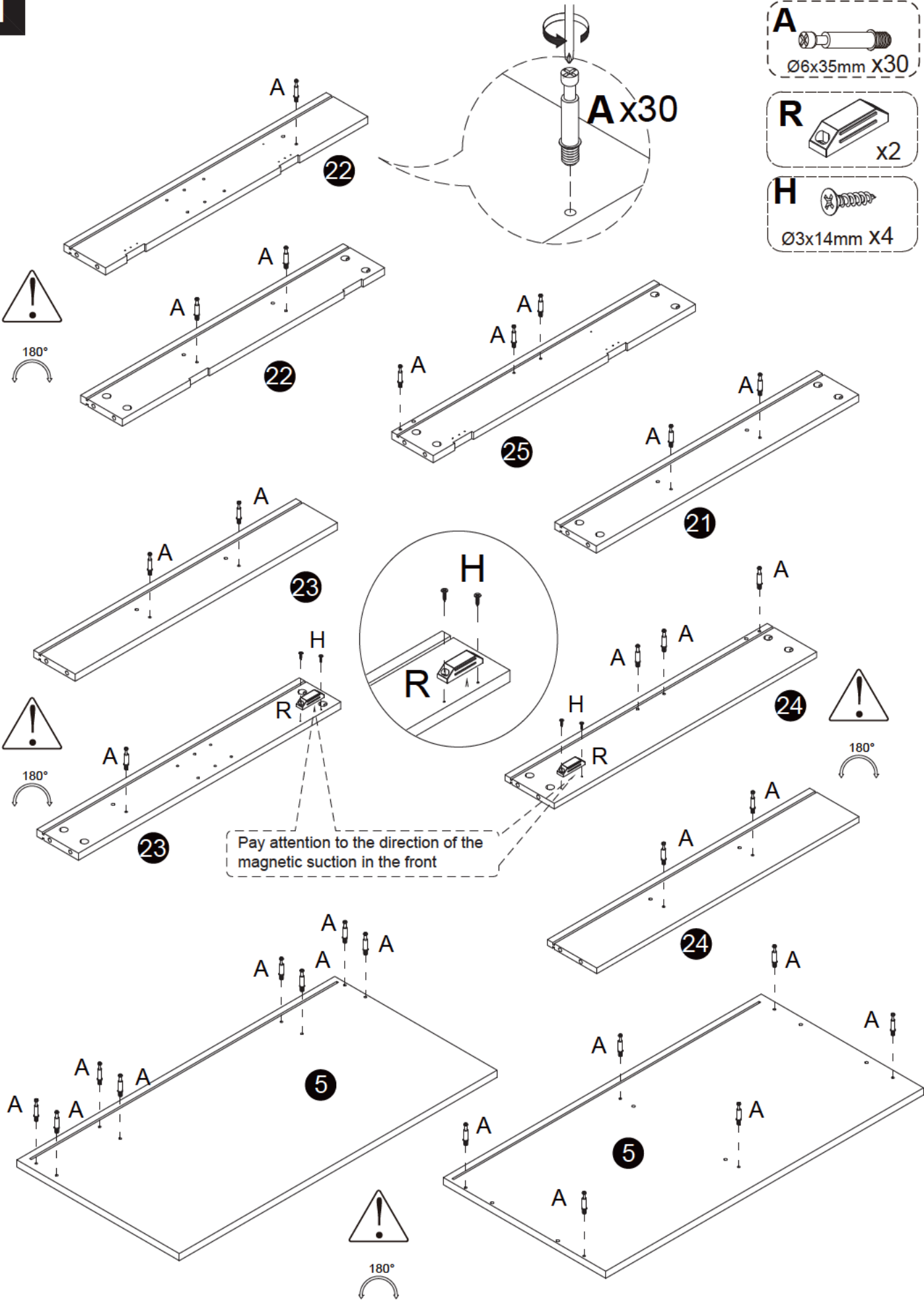
55
x1



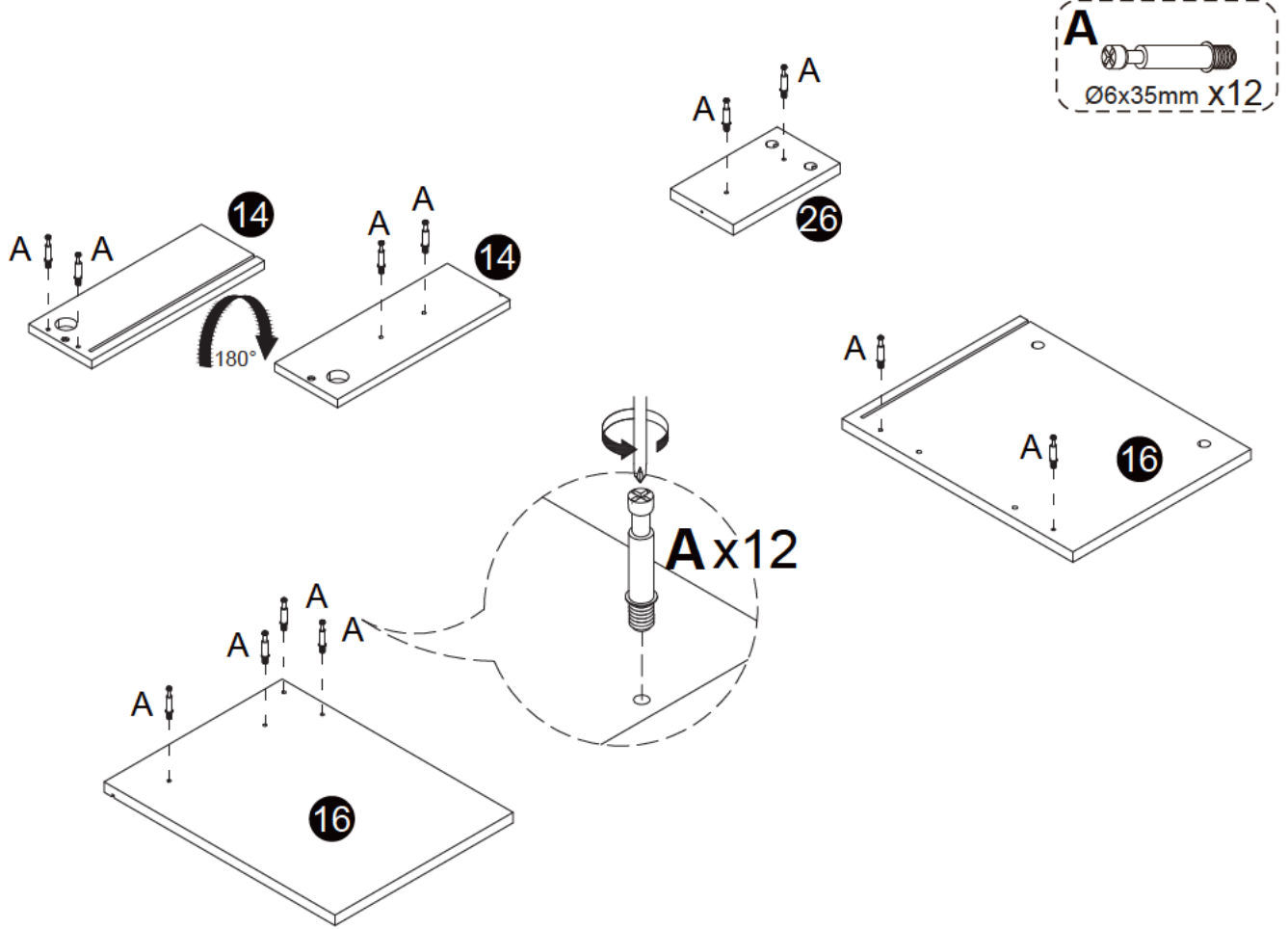
A  $\varnothing 6 \times 35 \text{mm X30}$

R  x2

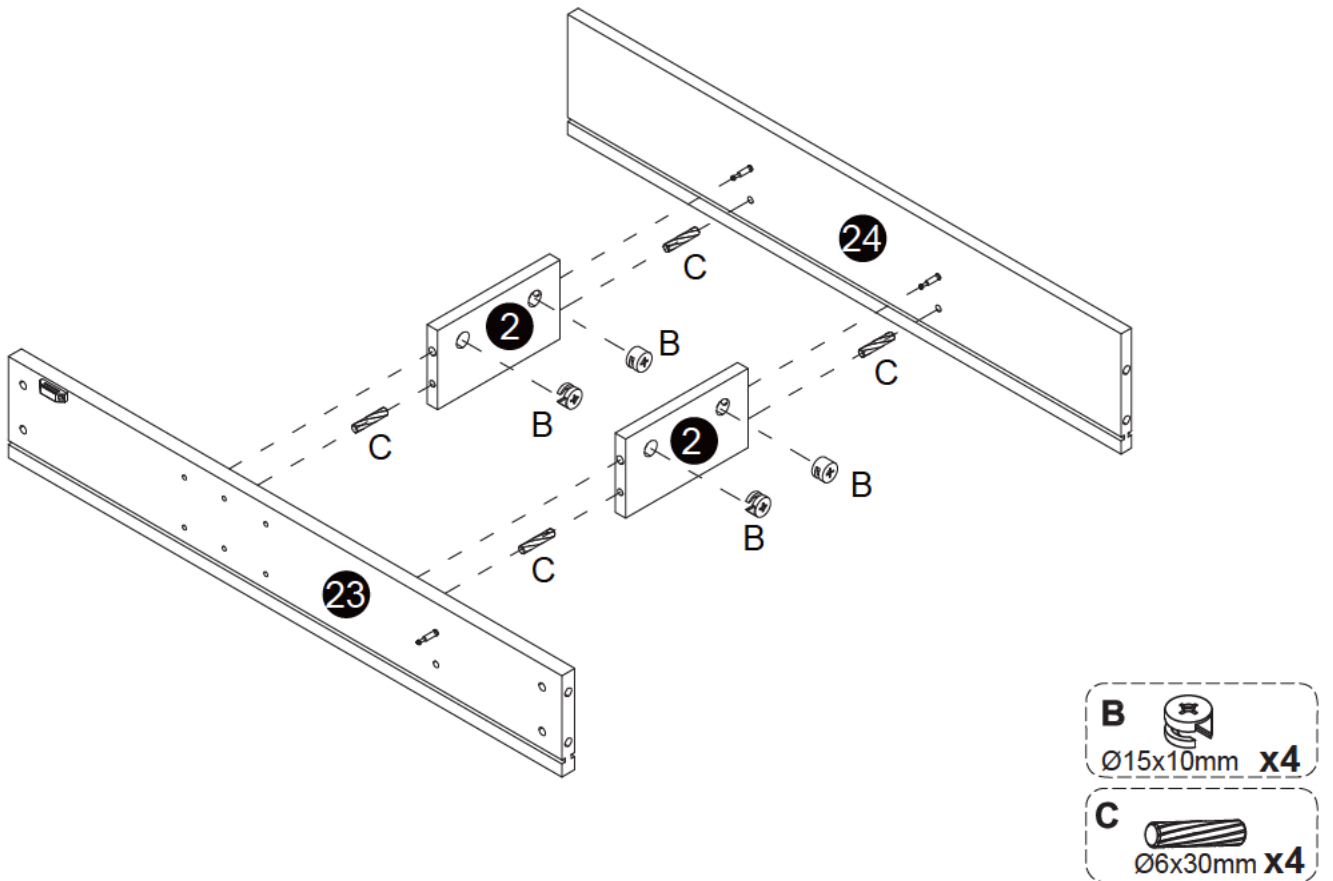
H  $\varnothing 3 \times 14 \text{mm X4}$



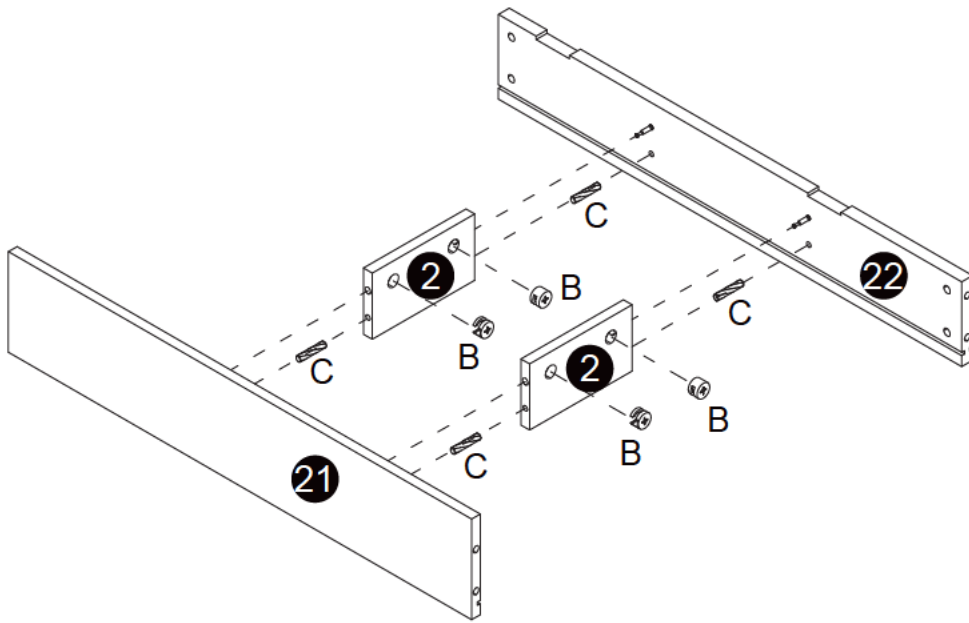
2





3

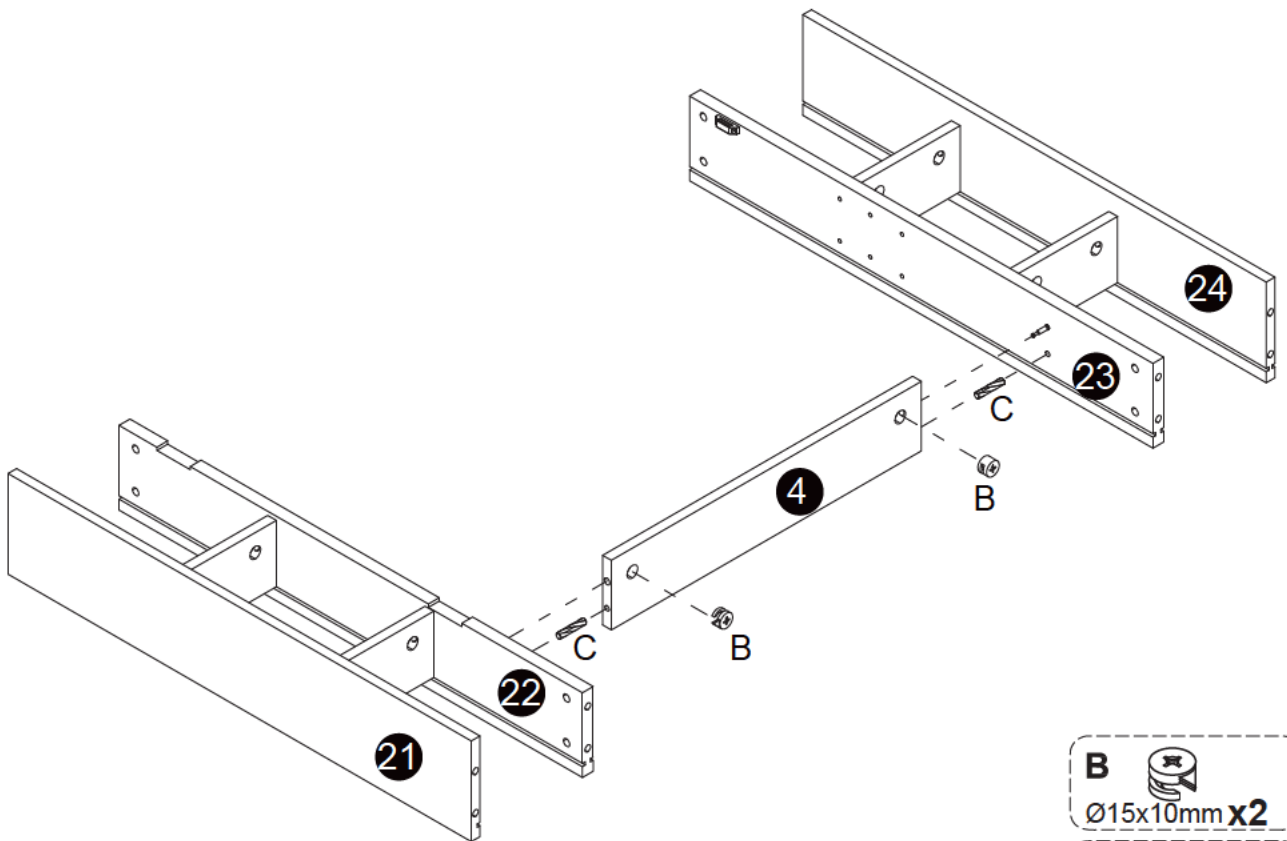




4



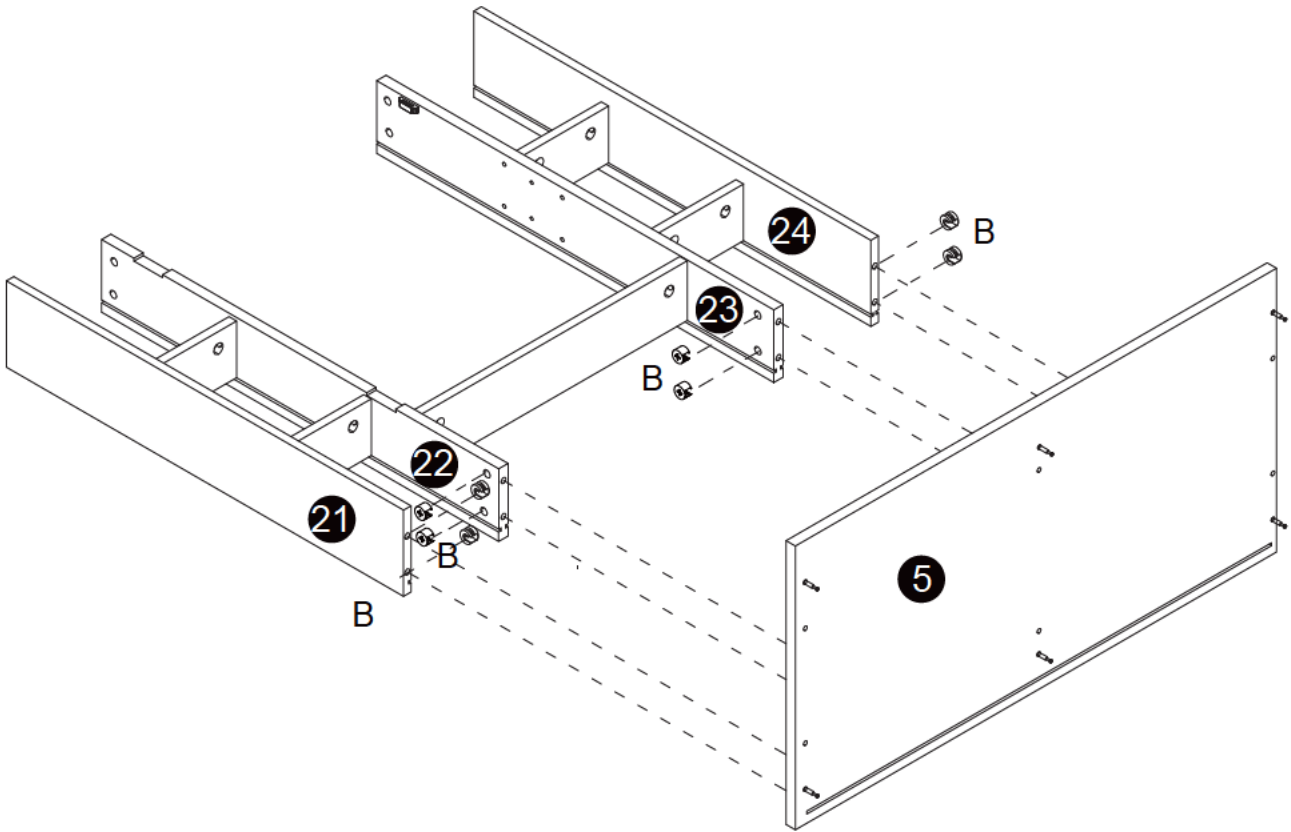
- B**  Ø15x10mm **x4**
- C**  Ø6x30mm **x4**

5

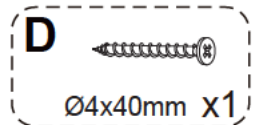
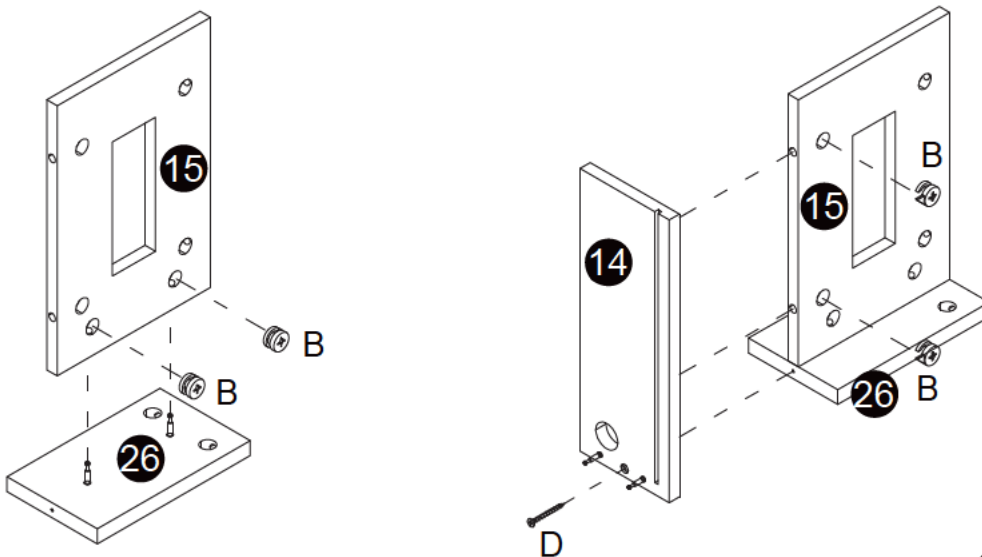


- B**  Ø15x10mm **x2**
- C**  Ø6x30mm **x2**

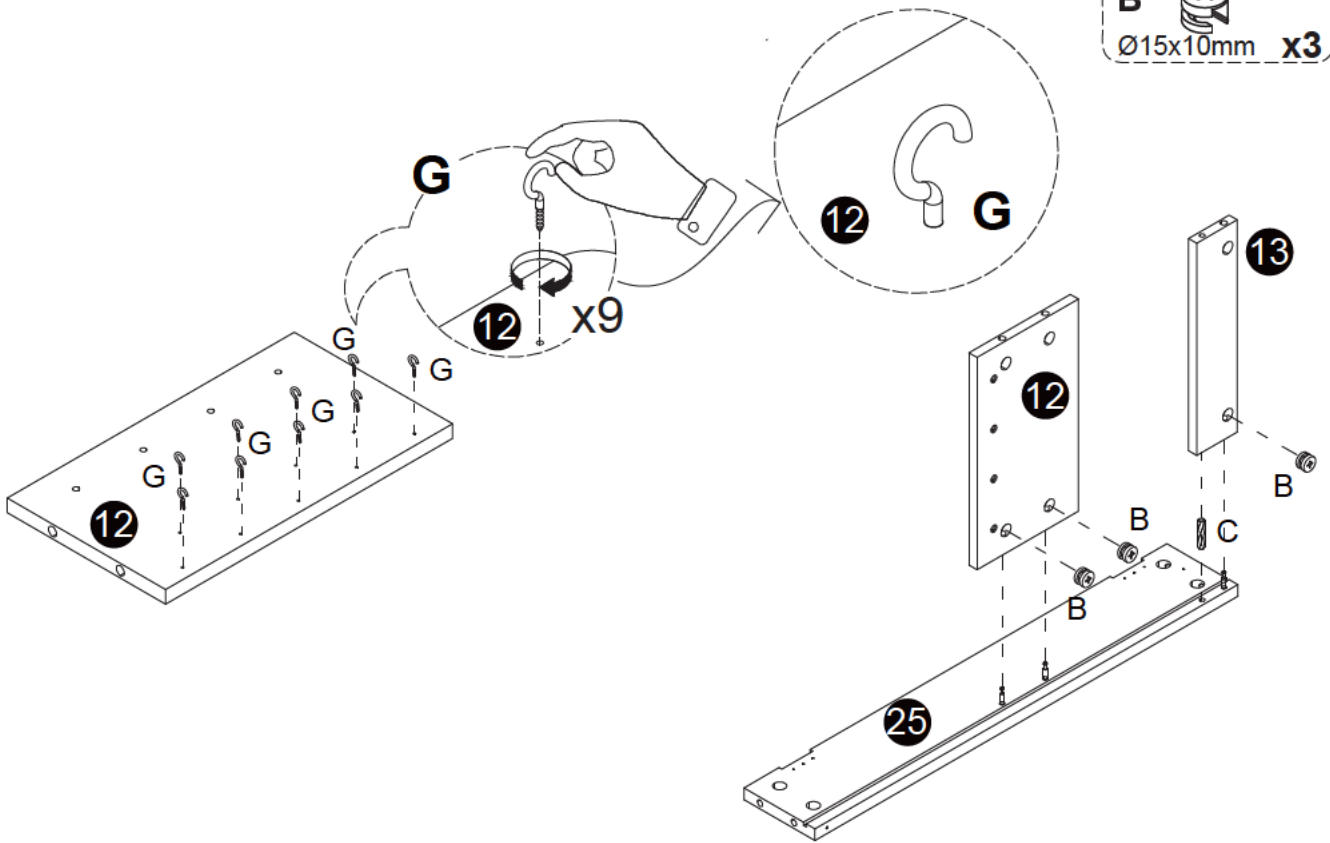
6



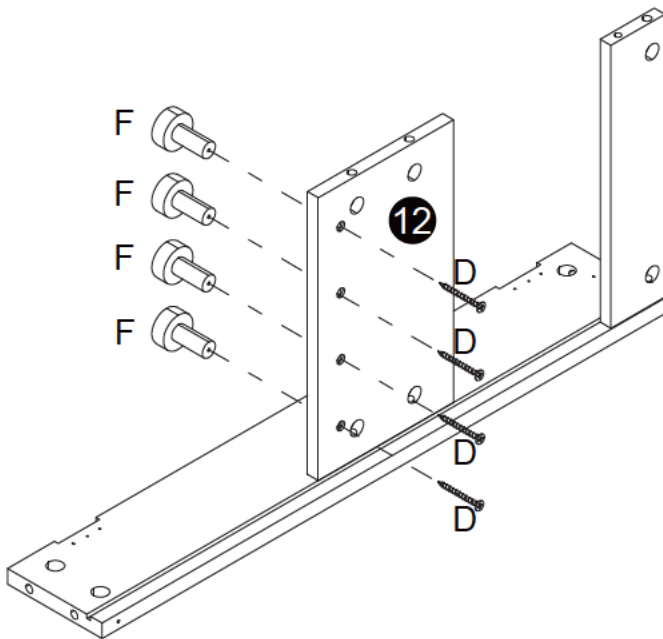
7



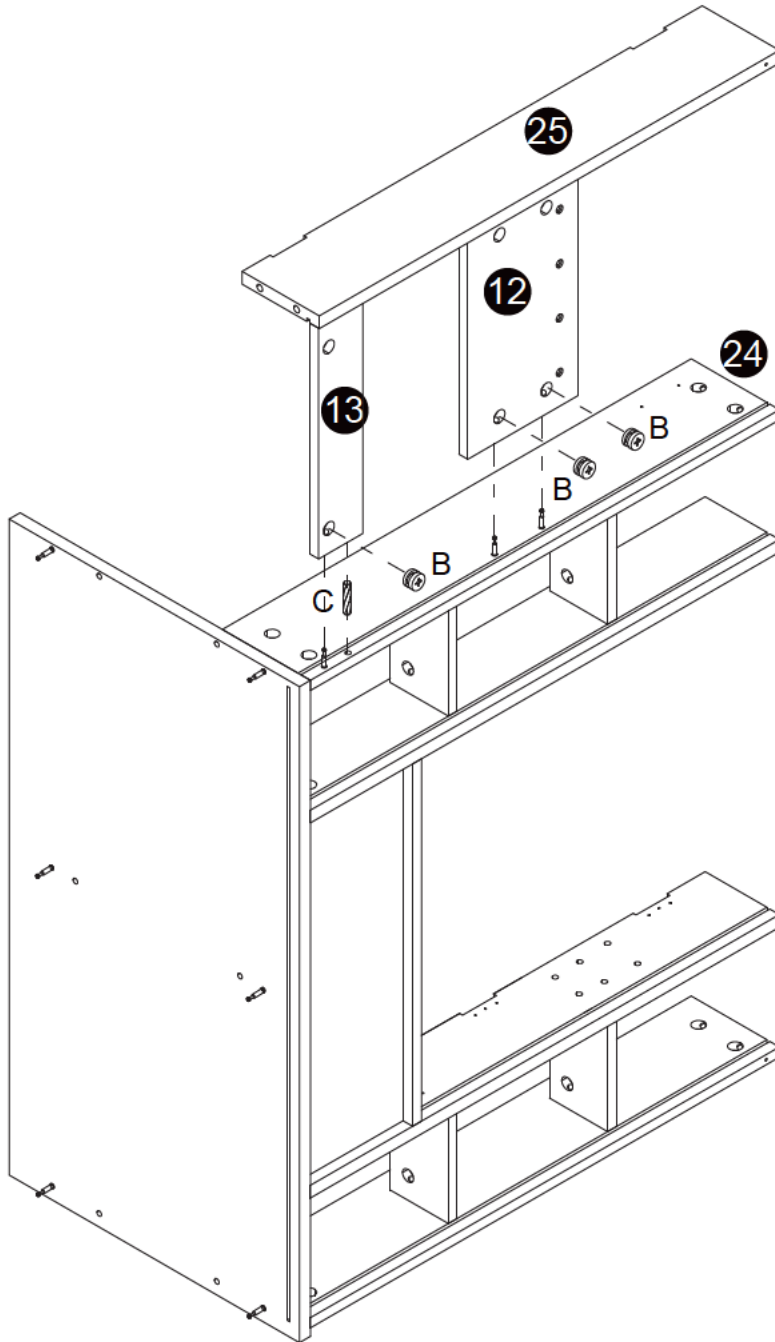
8





9

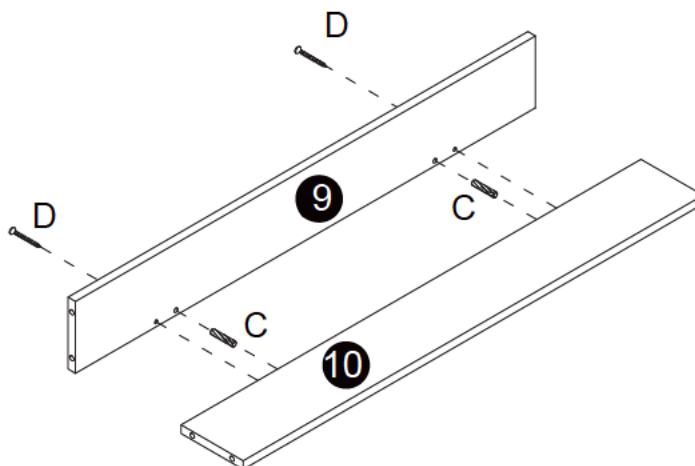


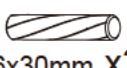
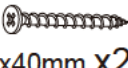
10

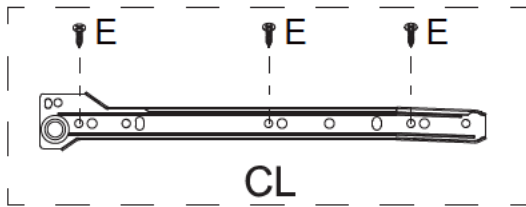


- B**  $\varnothing 15 \times 10 \text{mm}$ X3
- C**  $\varnothing 6 \times 30 \text{mm}$ X1

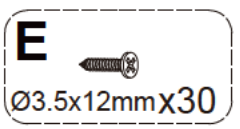
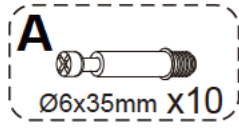
11



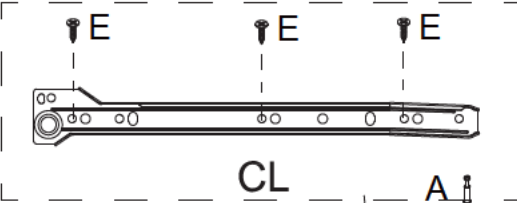
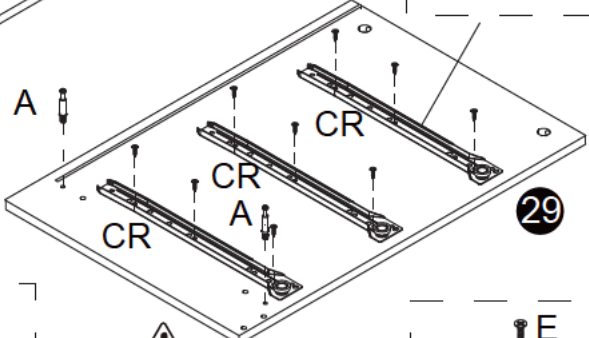
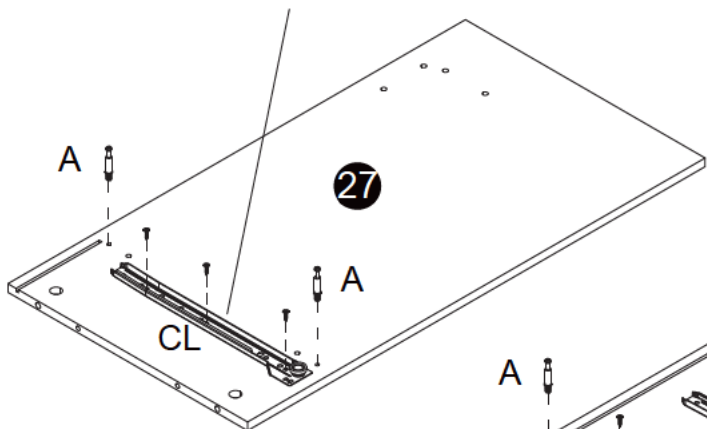
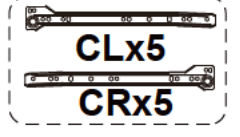
- C**  $\varnothing 6 \times 30 \text{mm}$ X2
- D**  $\varnothing 4 \times 40 \text{mm}$ X2



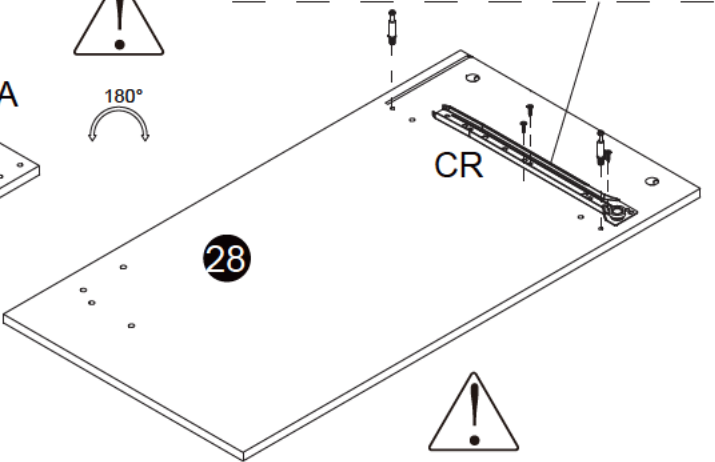
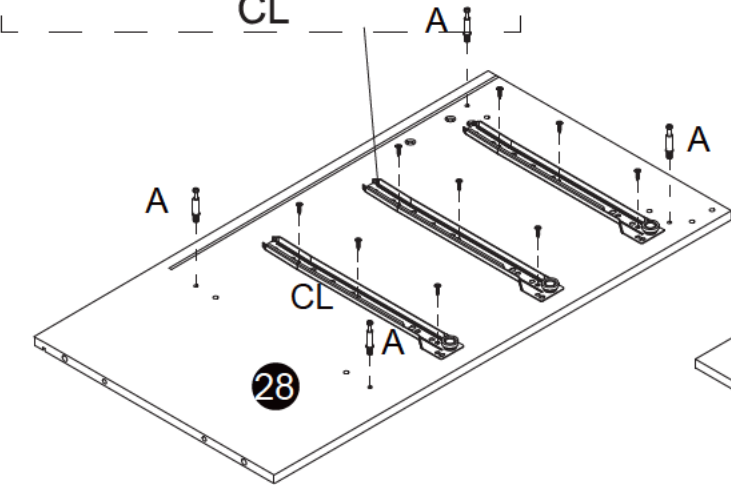
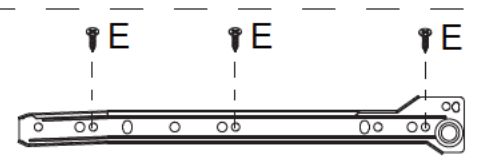
Attention first hole



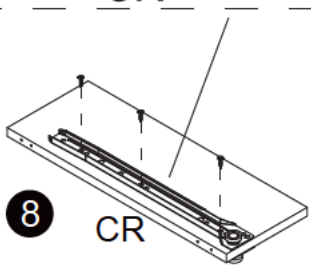
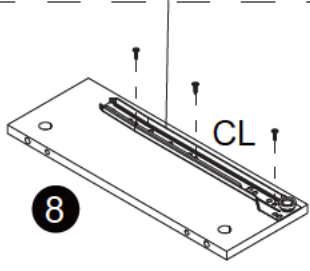
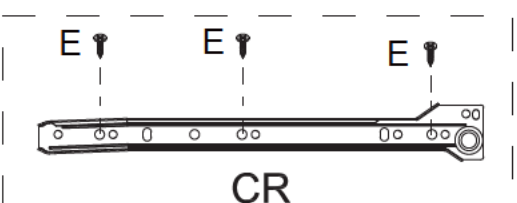
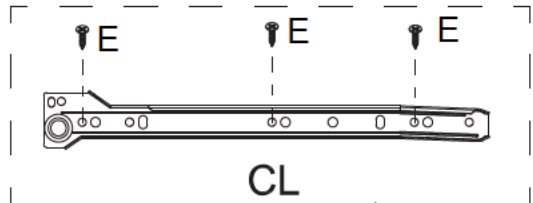
Attention first hole



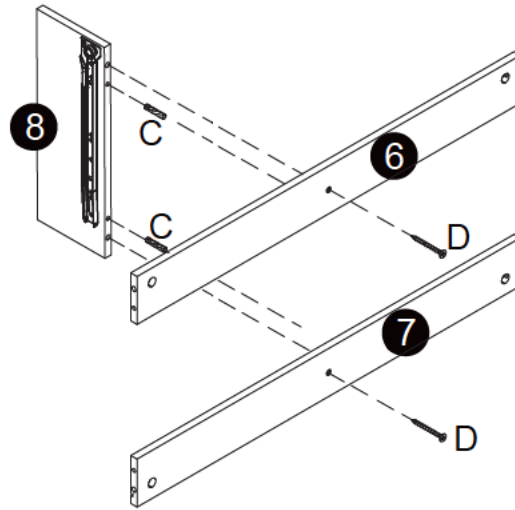
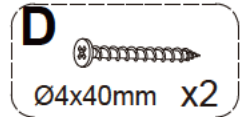
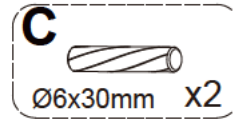
Attention first hole



Attention second hole

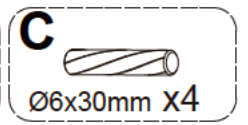
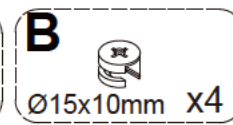
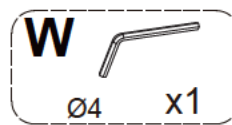
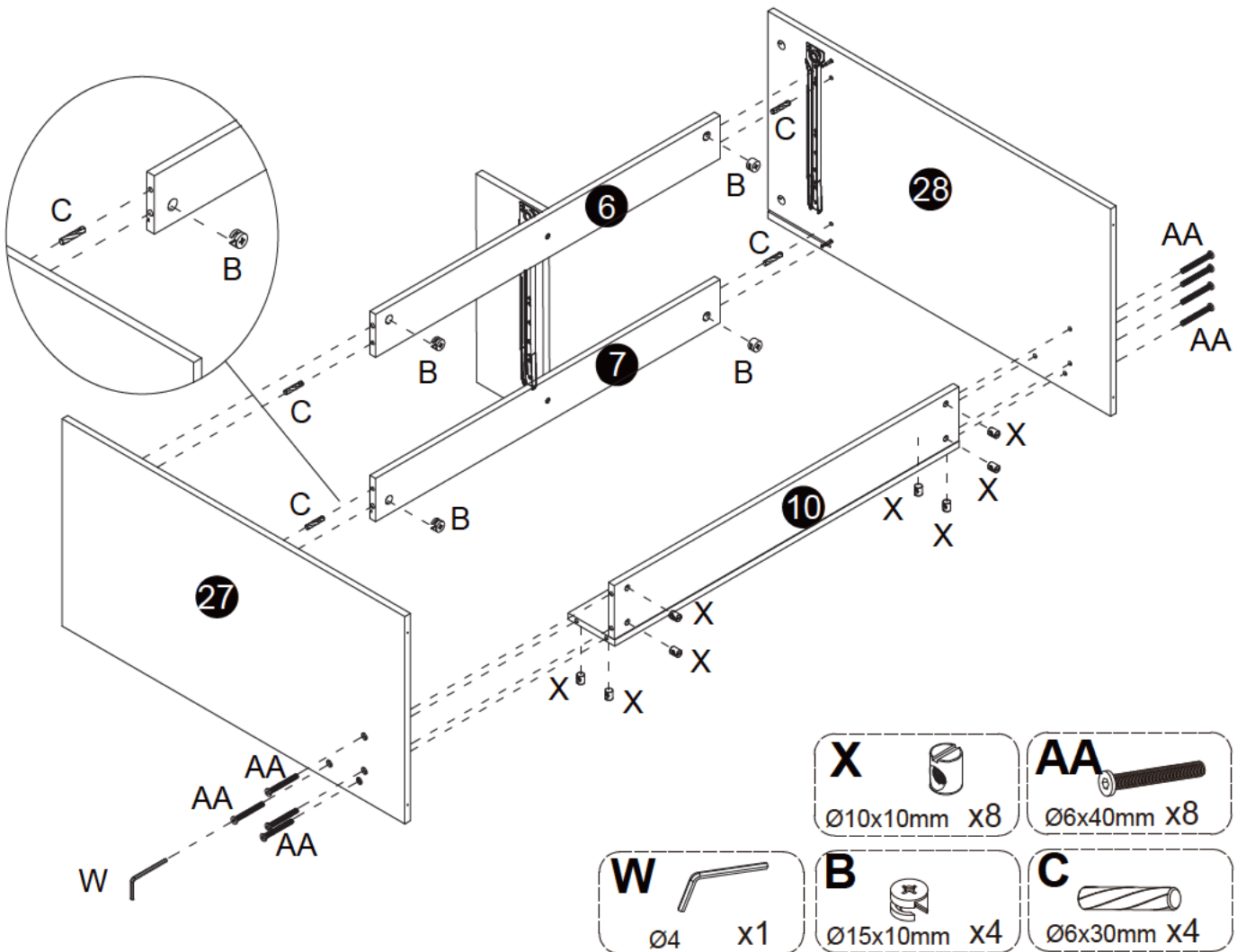


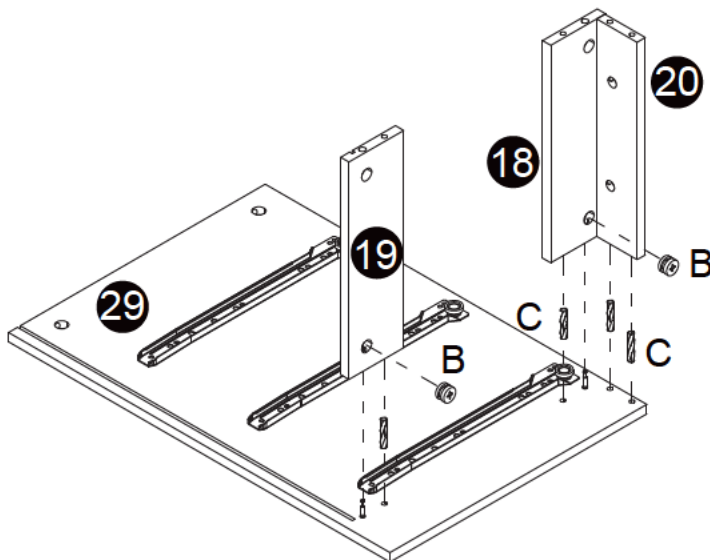
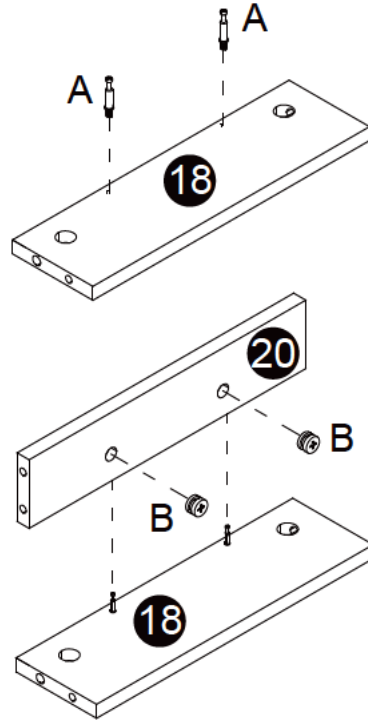
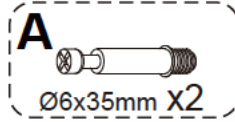
13



14


Be careful not to install the wrong one

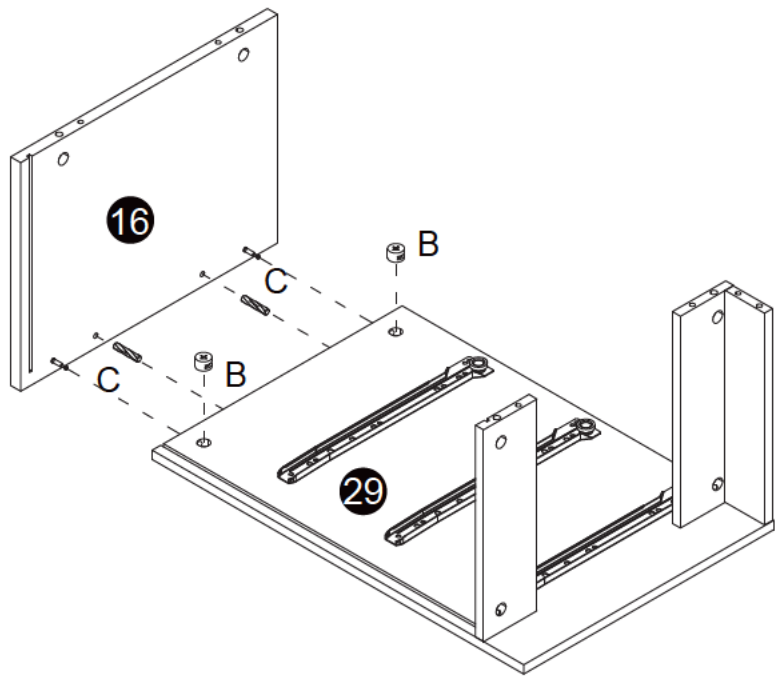




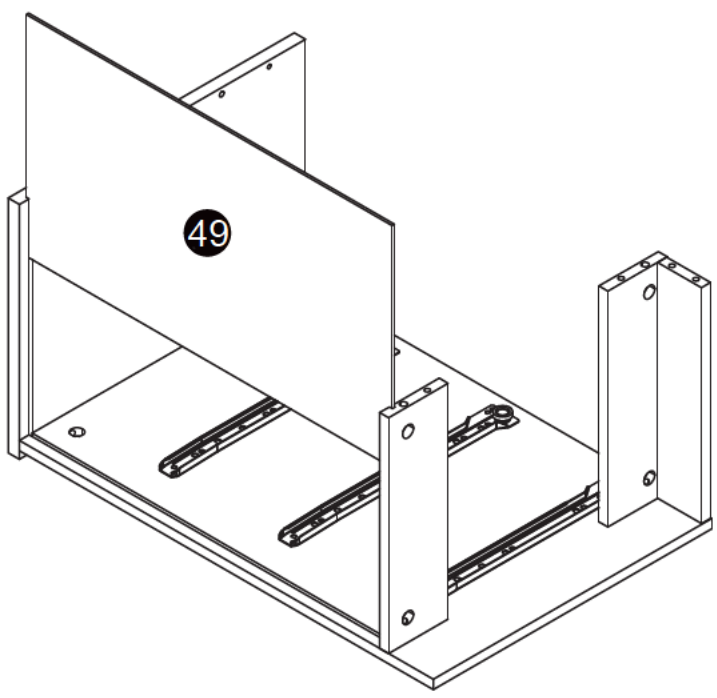
16

B 
Ø15x10mm x2



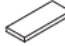
C 
Ø6x30mm x2

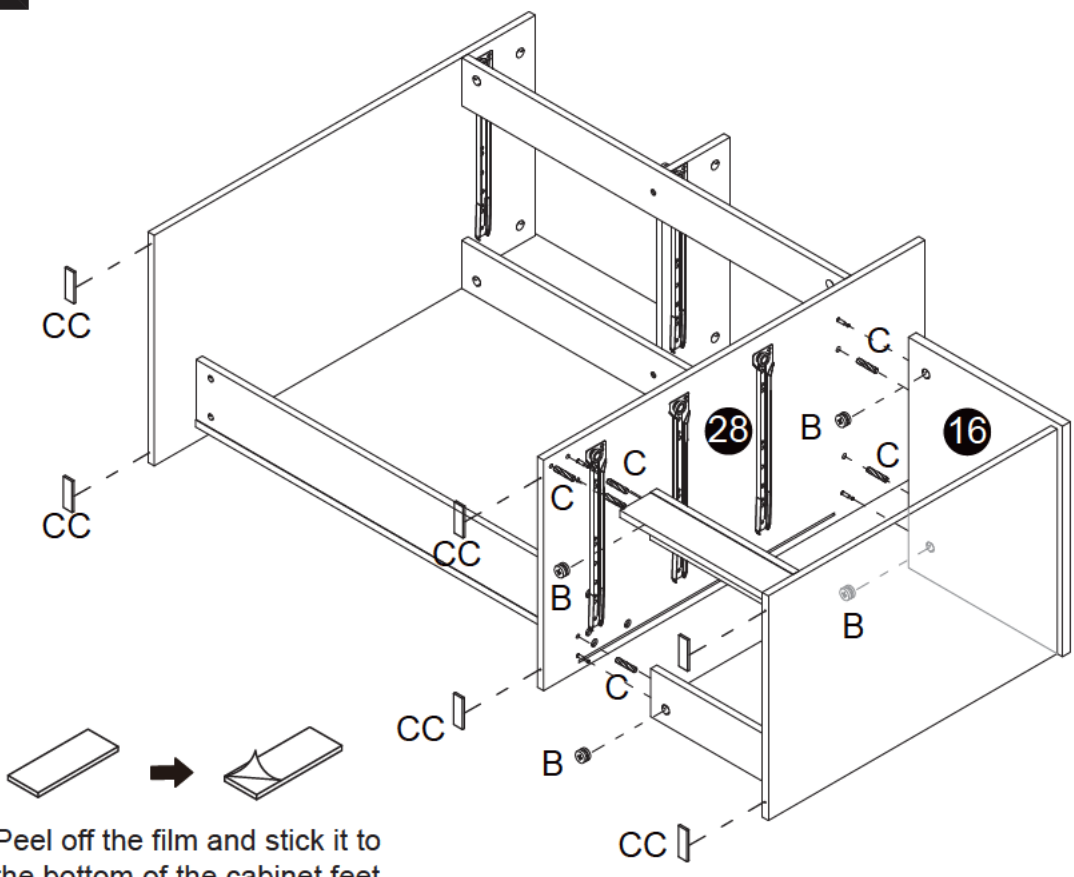


17



18

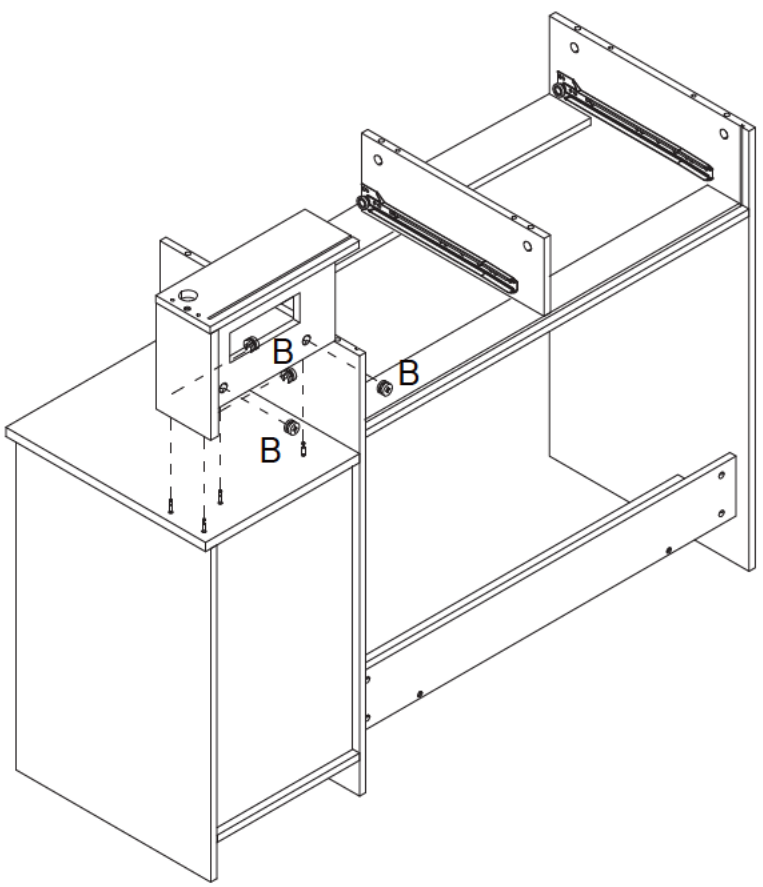
- B**  $\text{\O}15 \times 10 \text{mm}$ **x4**
- C**  $\text{\O}6 \times 30 \text{mm}$ **x6**
- CC**  $\text{\O}30 \times 10 \text{mm}$ **x6**



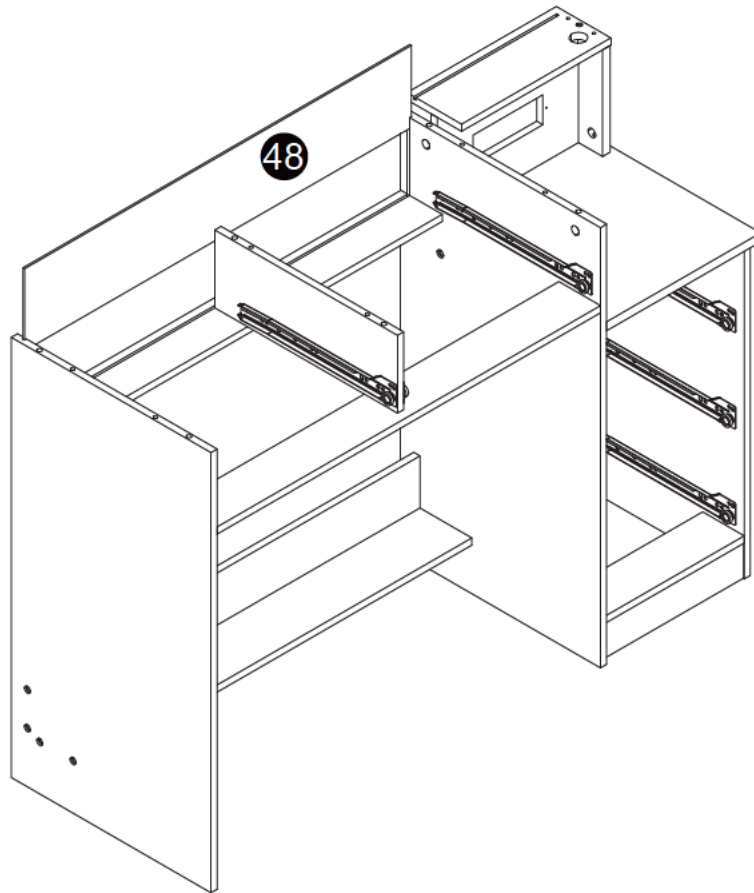
Peel off the film and stick it to the bottom of the cabinet feet.

19

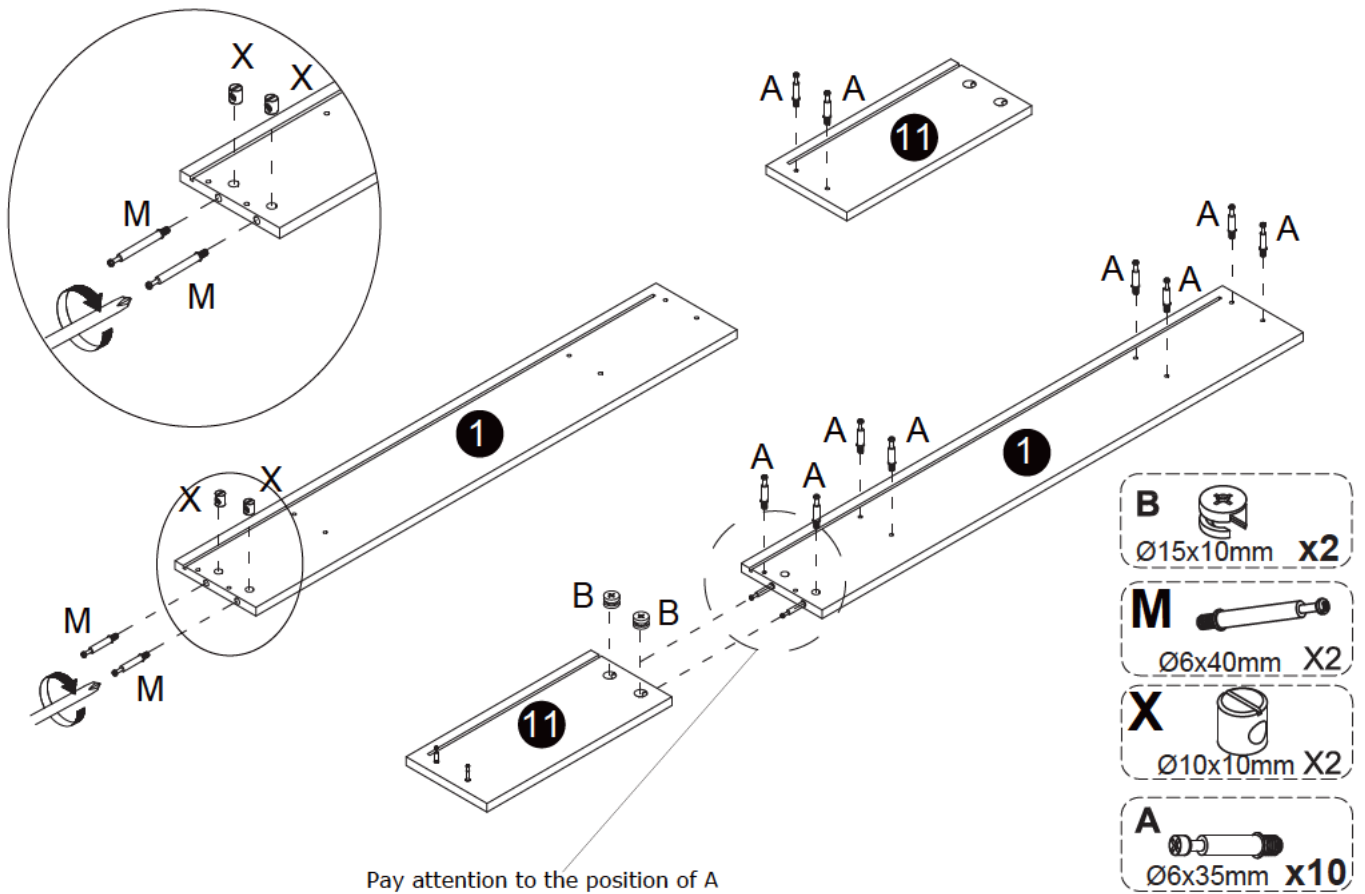
- B**  $\text{\O}15 \times 10 \text{mm}$ **x4**





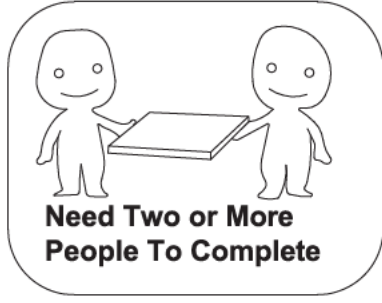
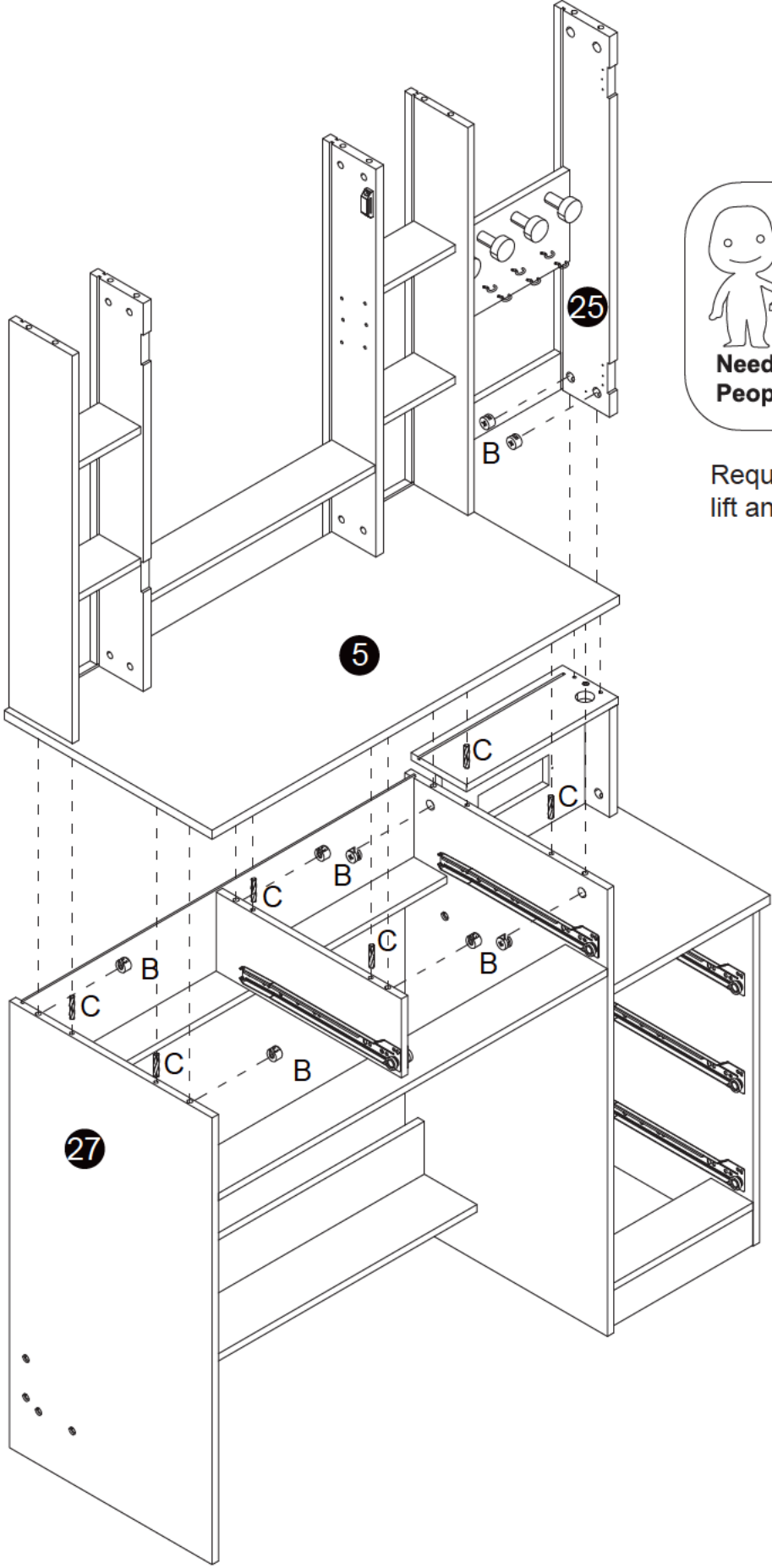
20



21

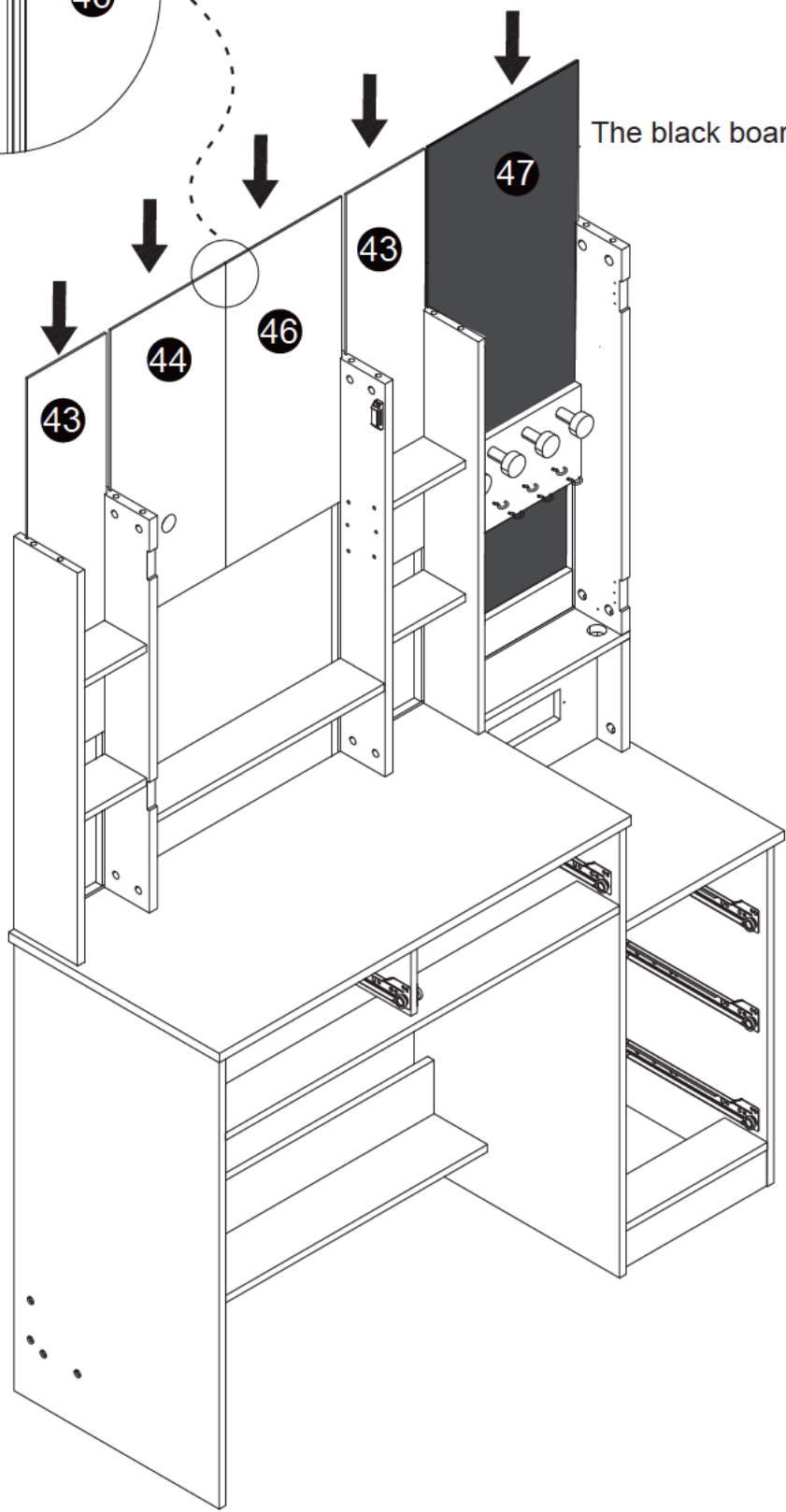
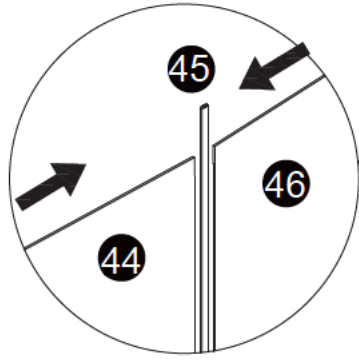


- B**  $\text{\O}15 \times 10 \text{mm} \times 8$
- C**  $\text{\O}6 \times 30 \text{mm} \times 6$



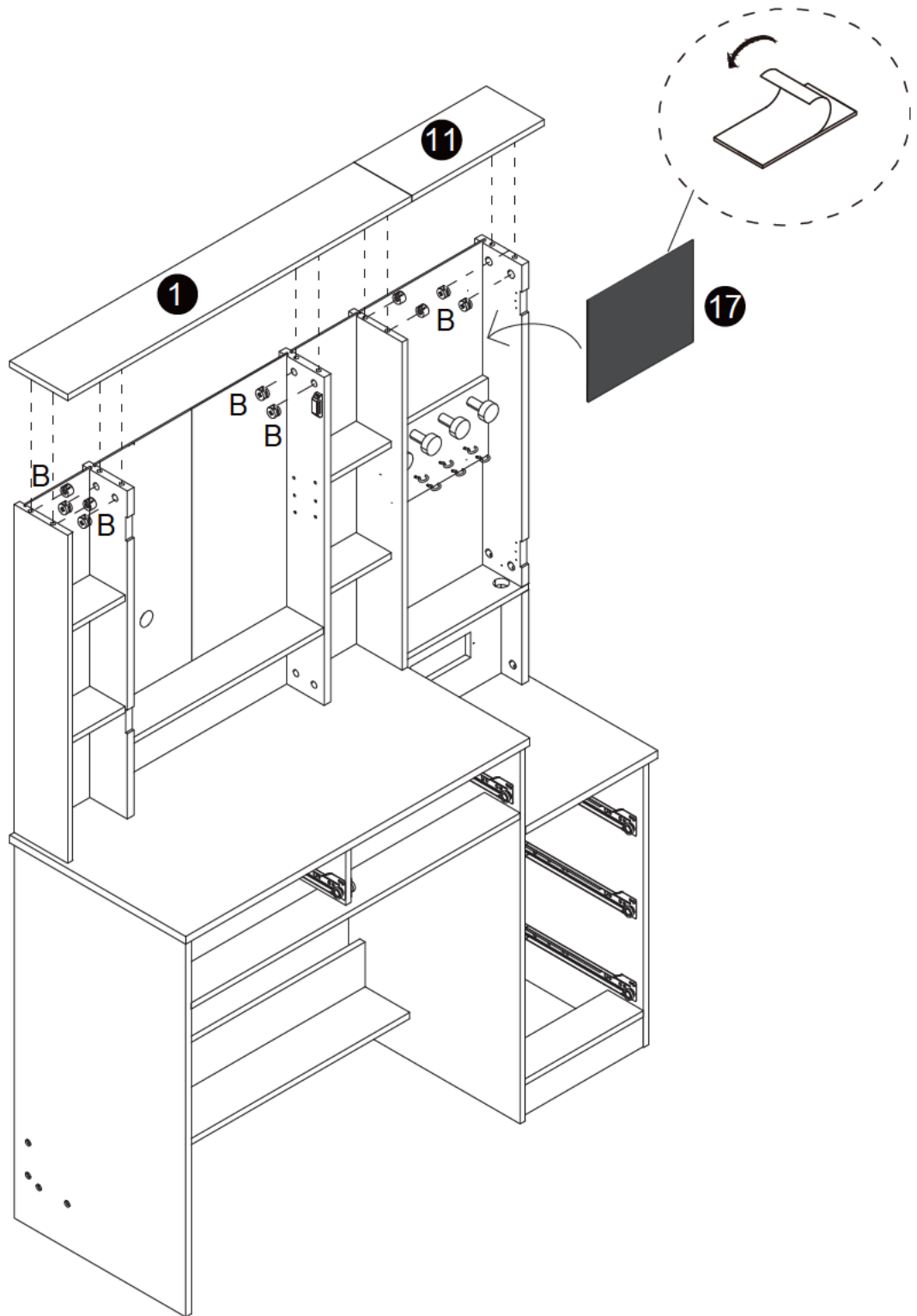
**Need Two or More
People To Complete**

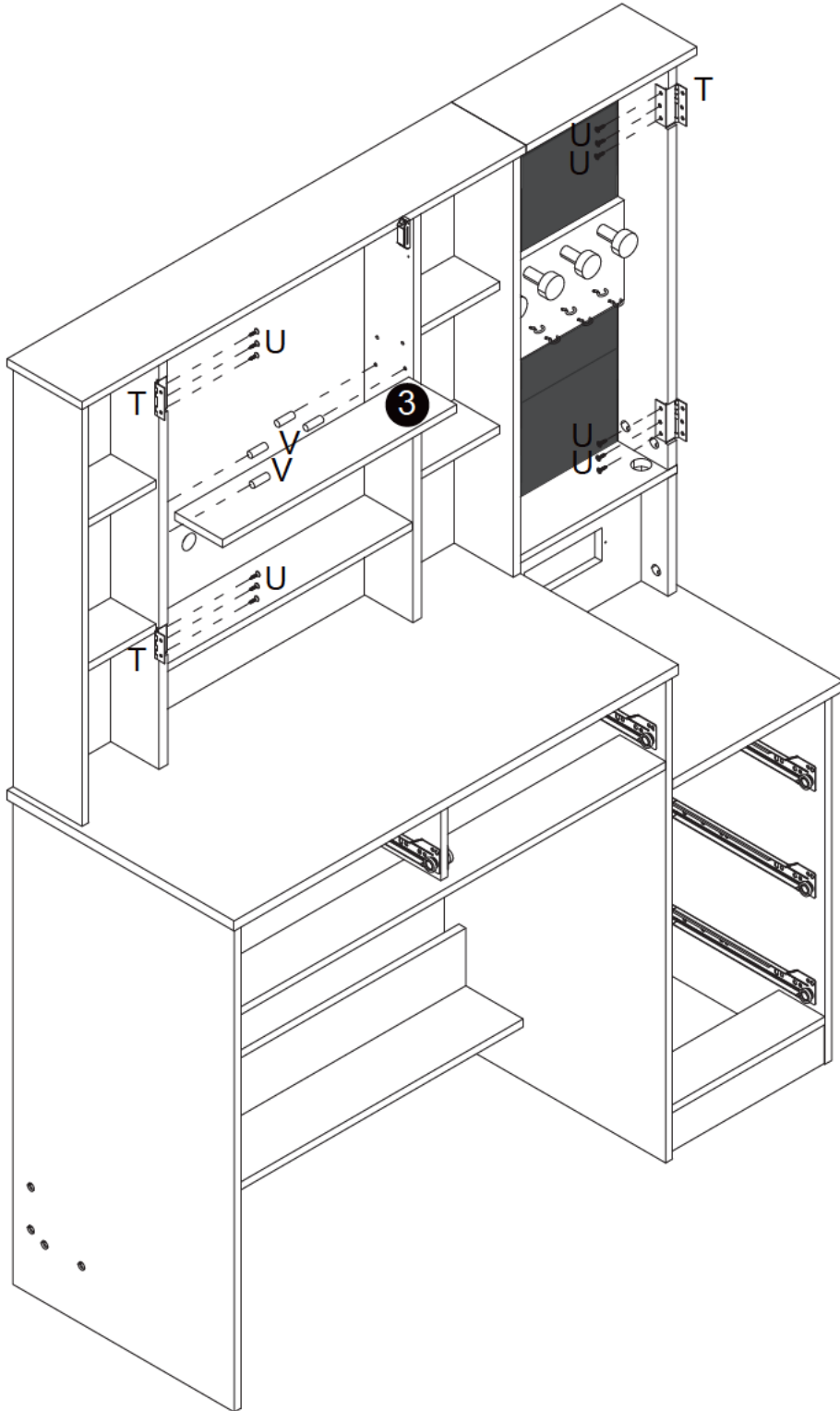
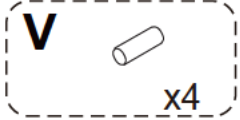
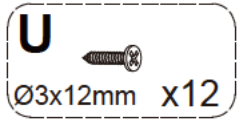
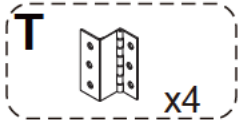
Requires two people to
lift and install





The black board is in the front


B 
Ø15x10mm **x10**

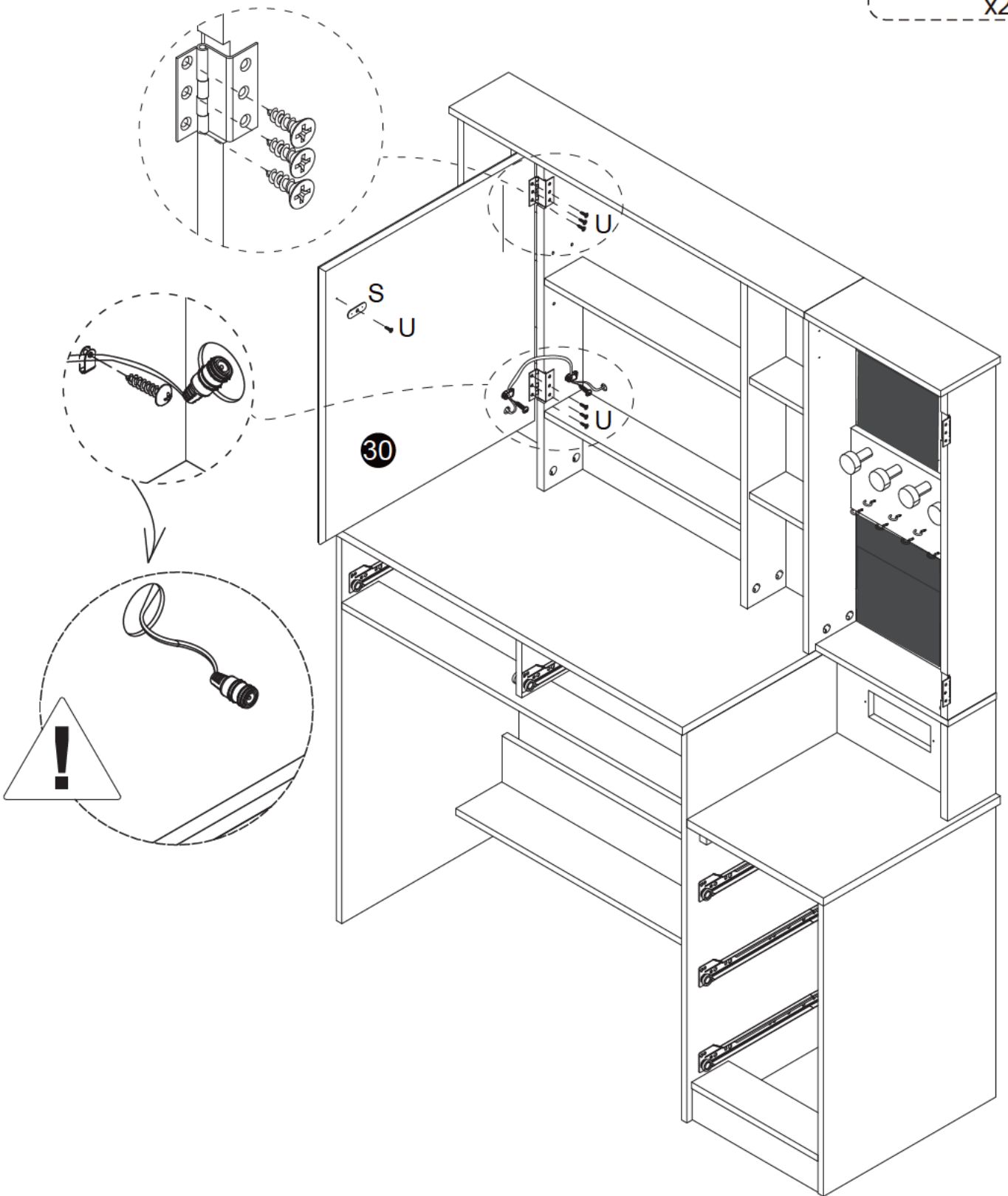


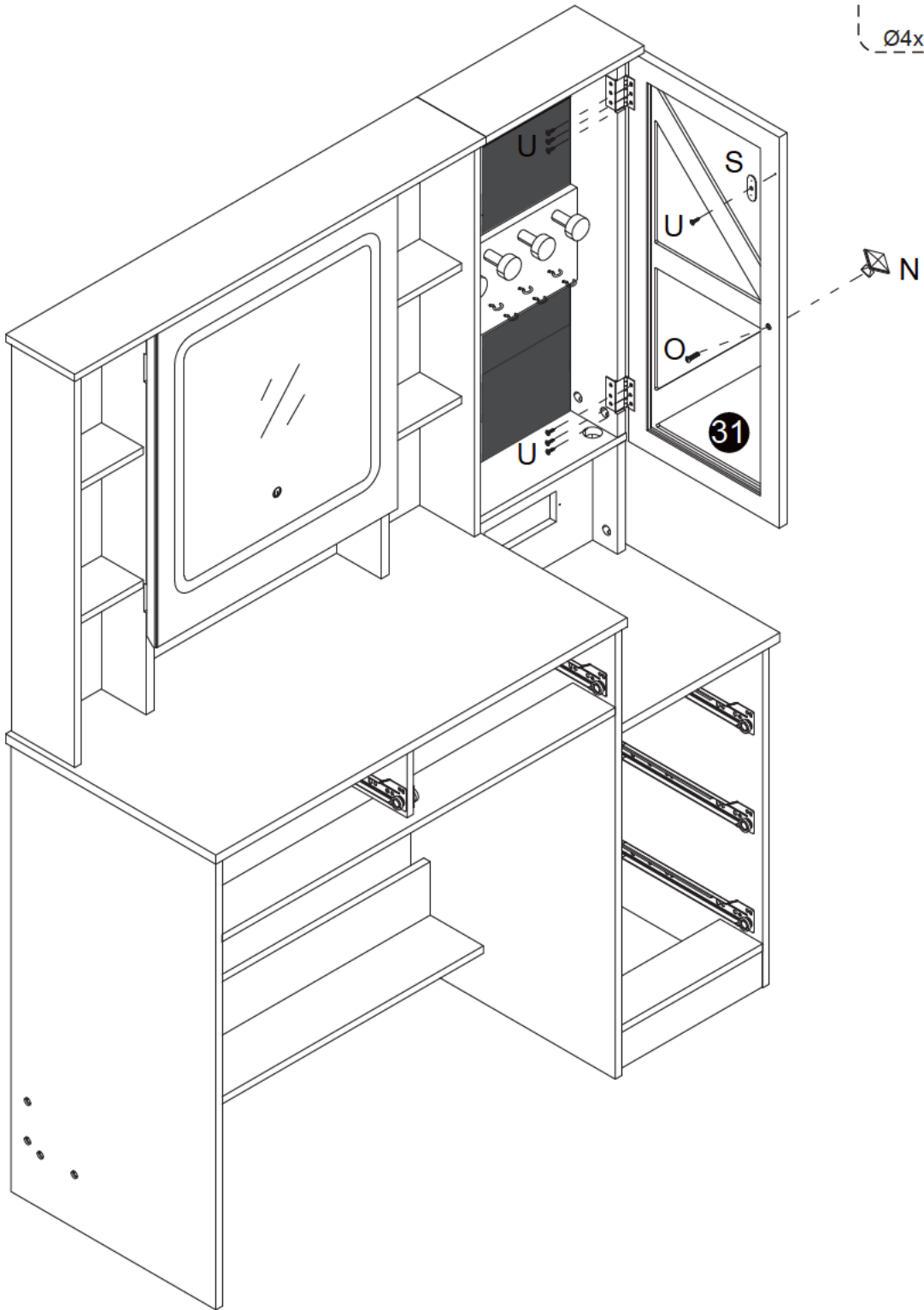
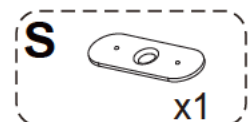
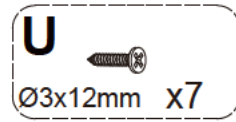


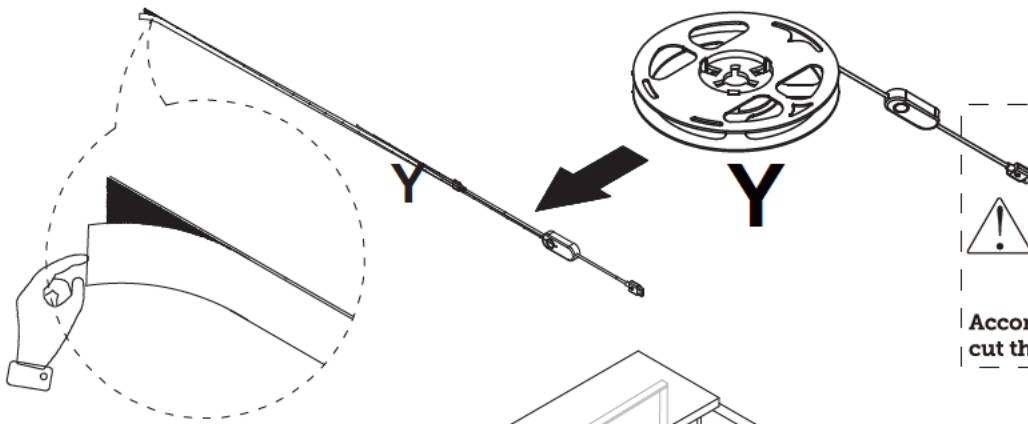
U 
Ø3x12mm x7

S 
x1

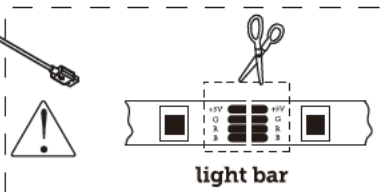
K 
x2



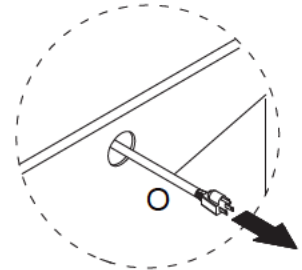
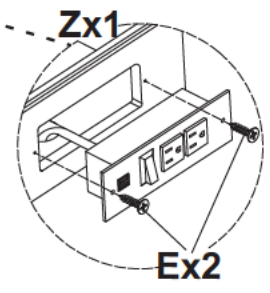
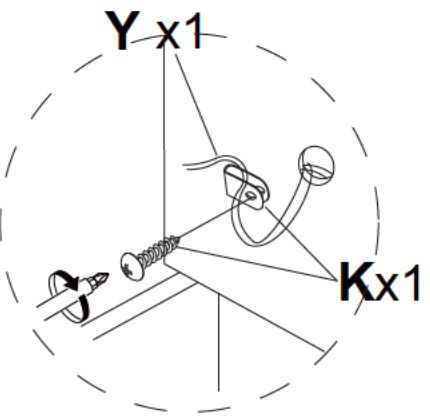
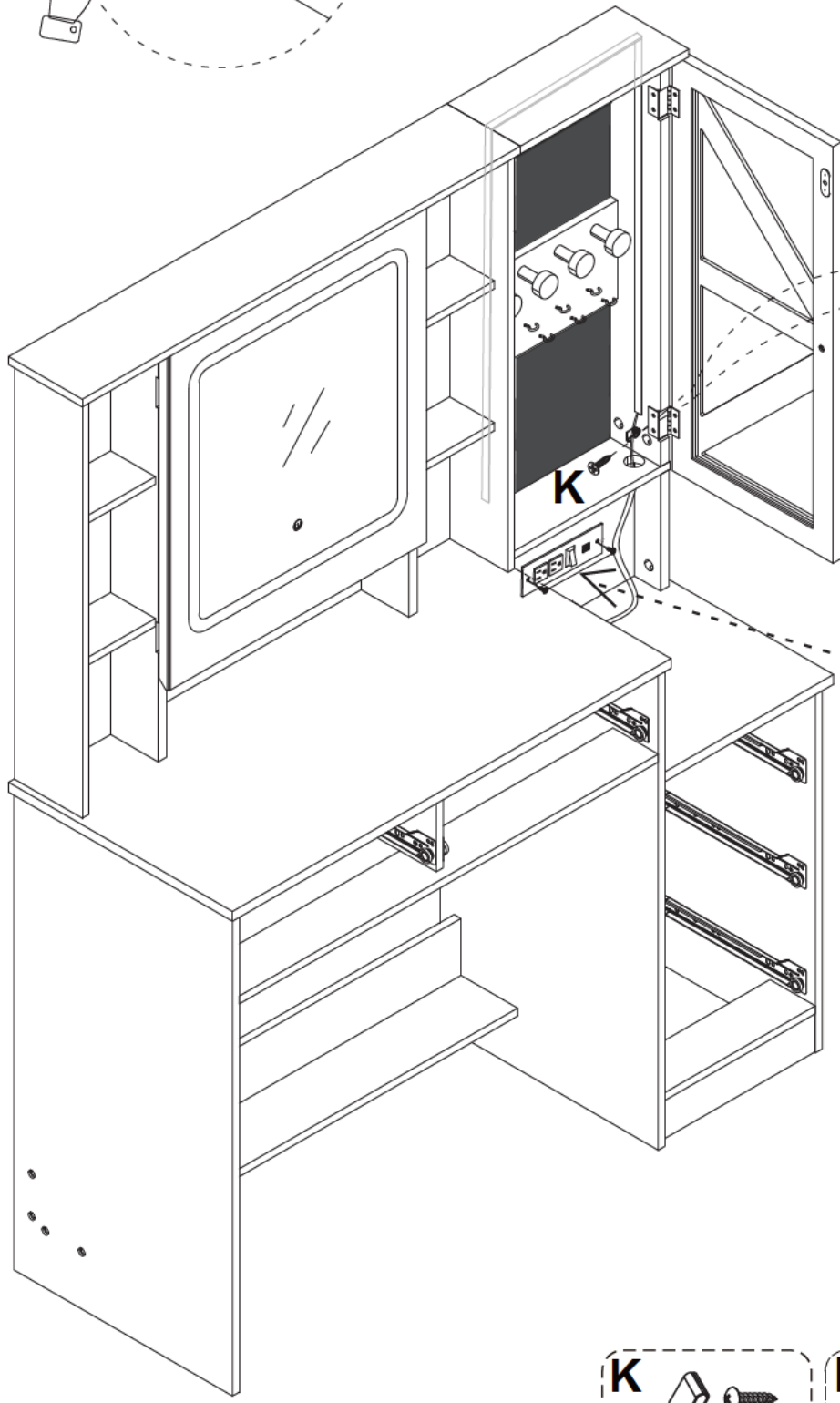








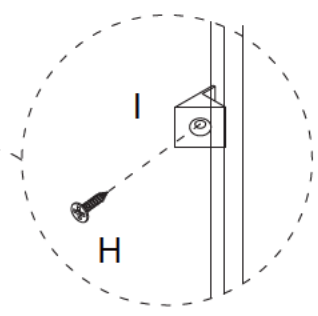
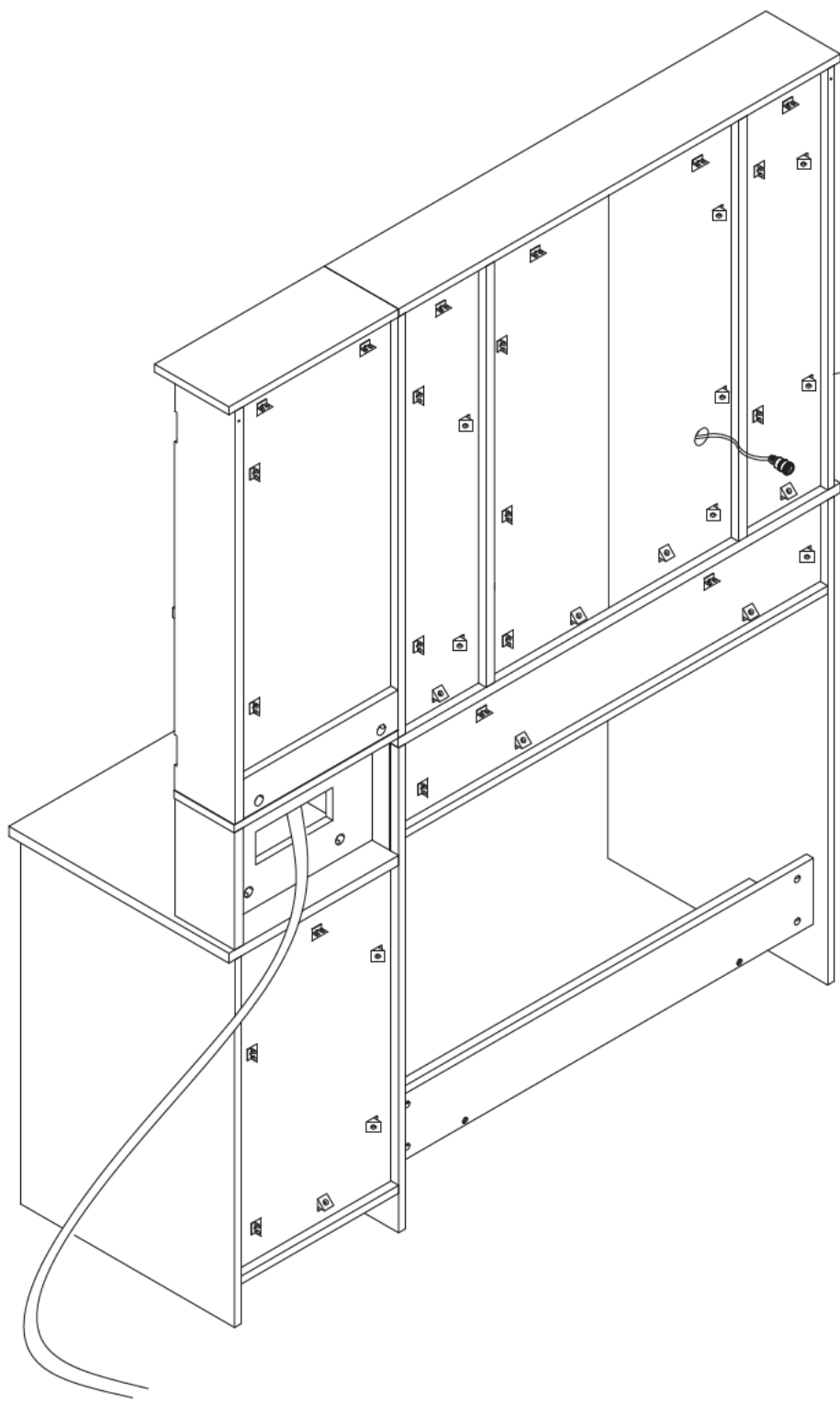
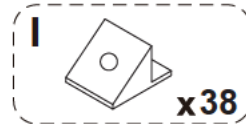
Tear off the back glue of the light strip





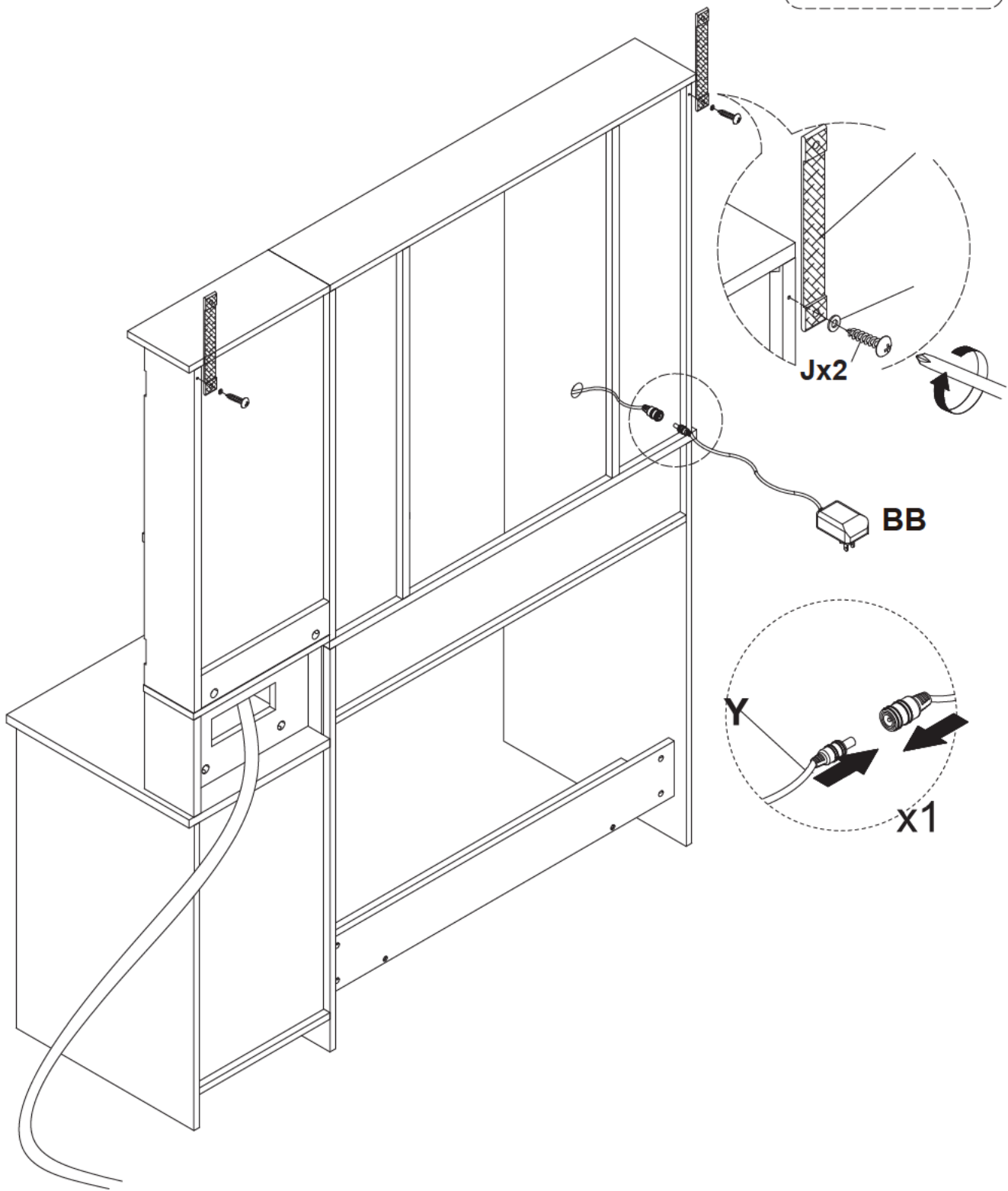
According to the actual length, cut the excess light strip or keep it

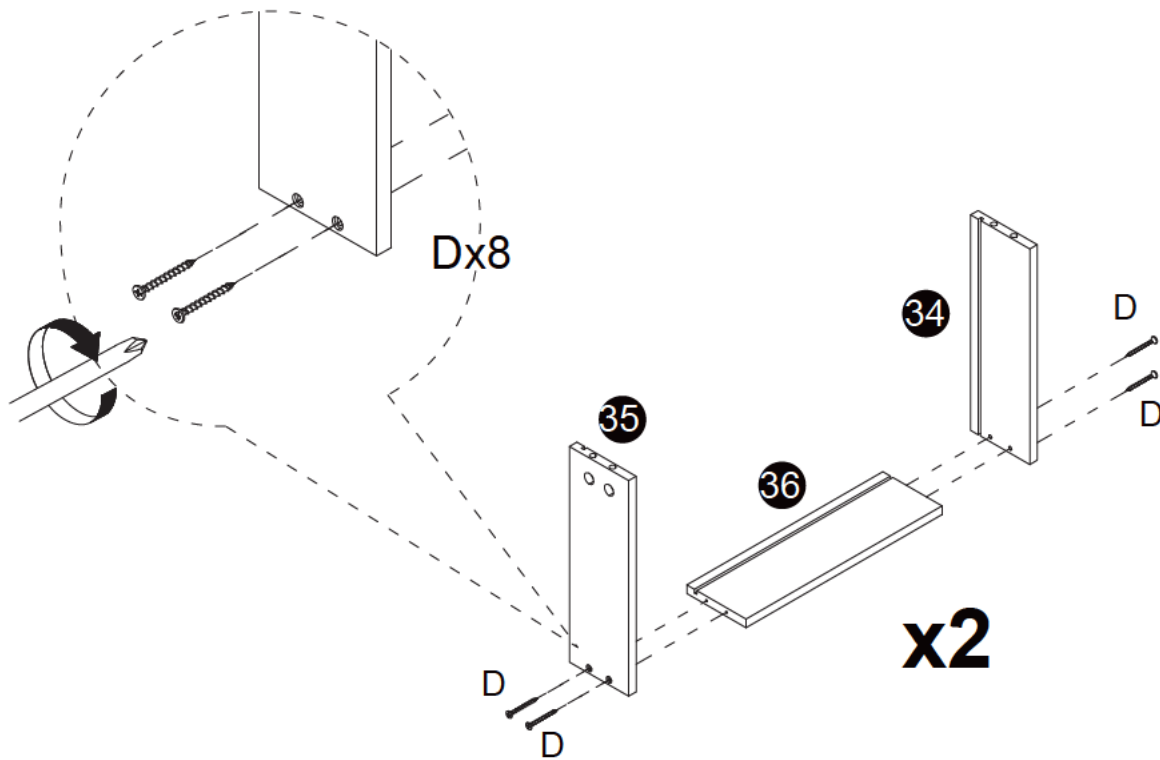
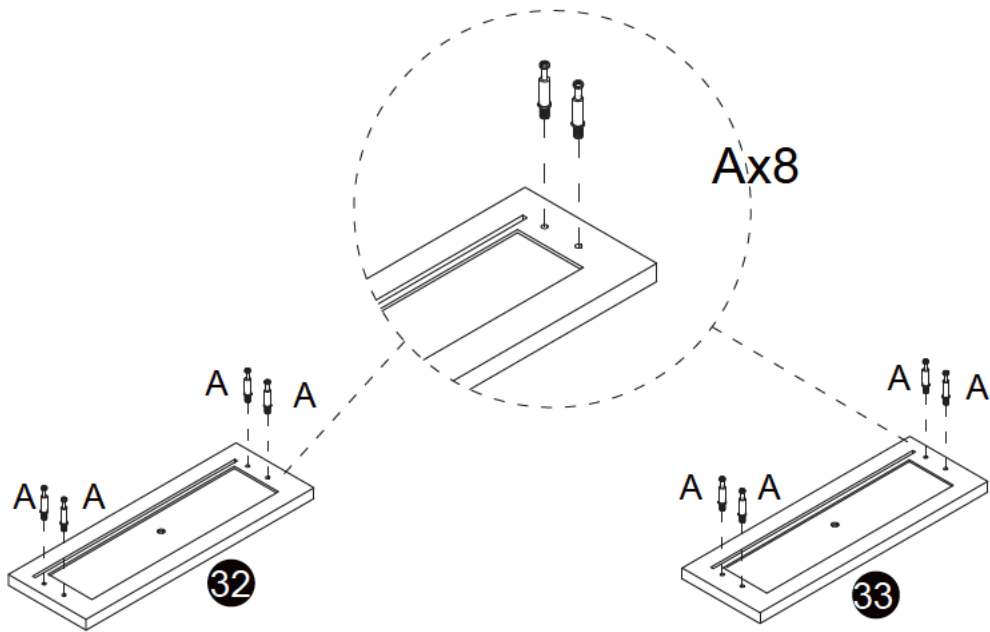
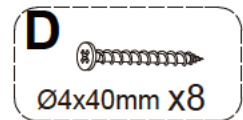
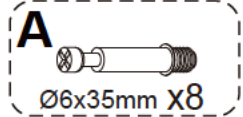


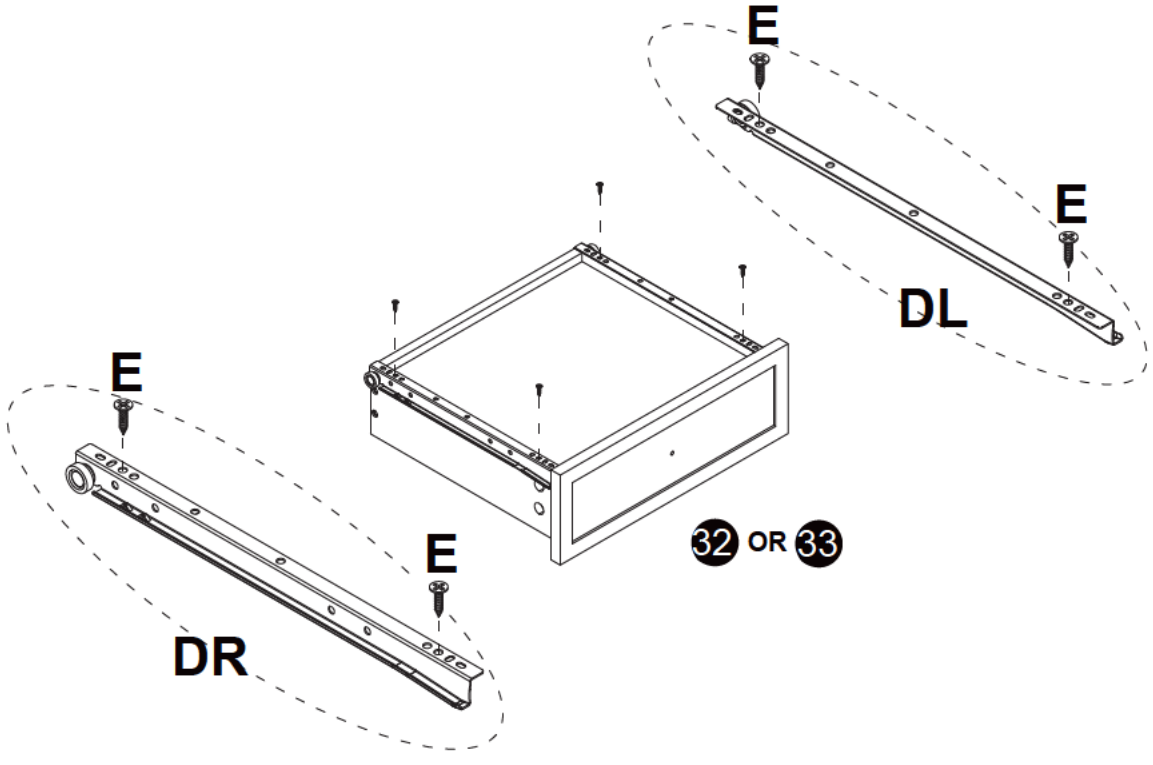
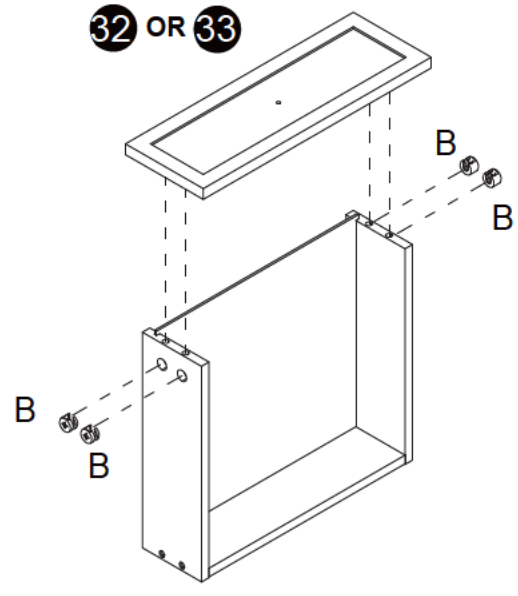
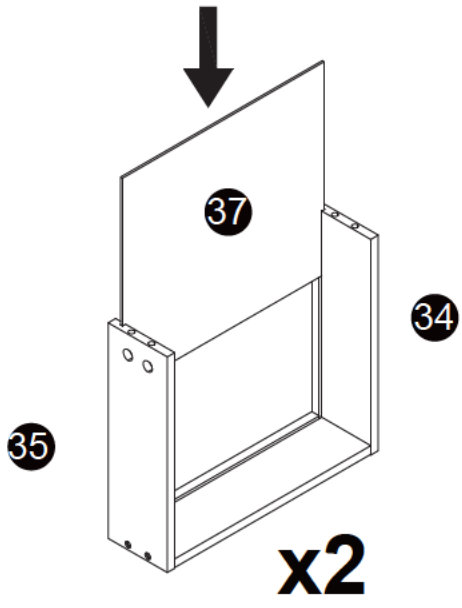
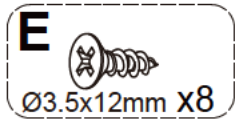
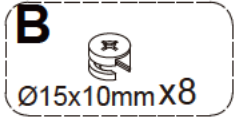
- Y**  x1
- K**  x1
- E**  Ø3.5x10mmX2
- Z**  x1



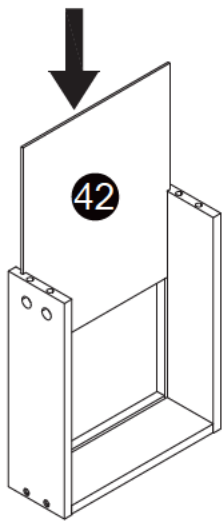
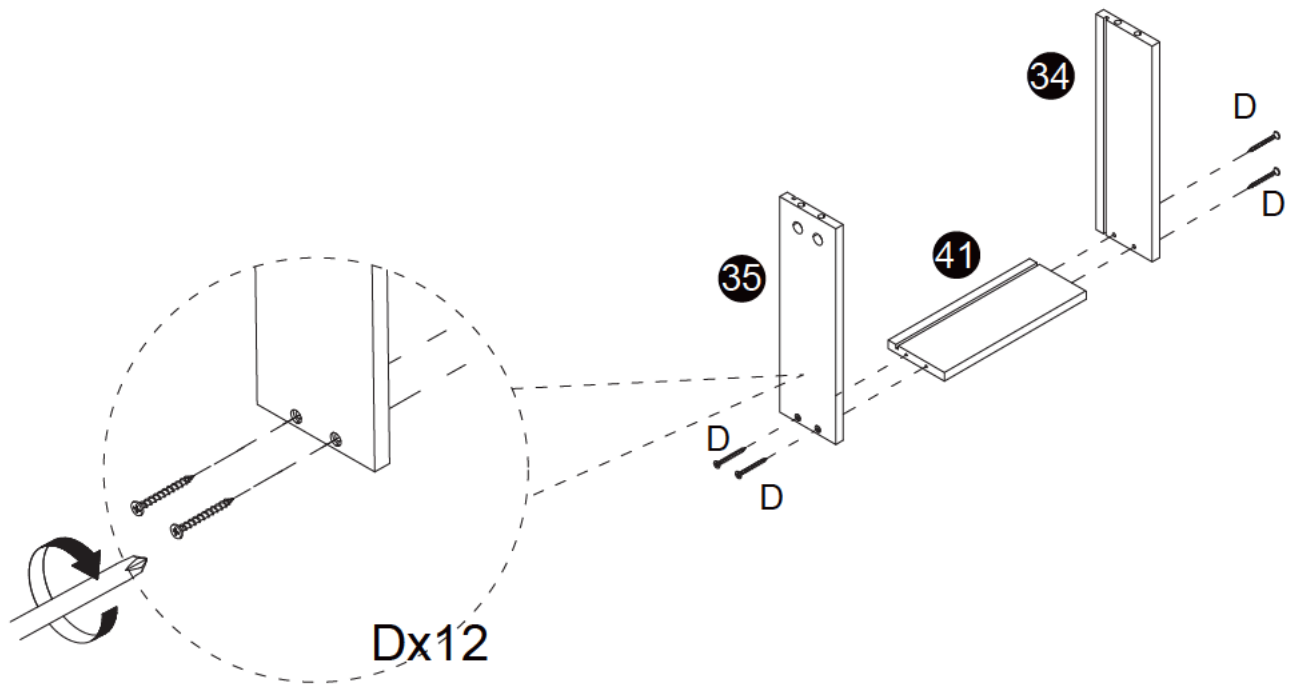
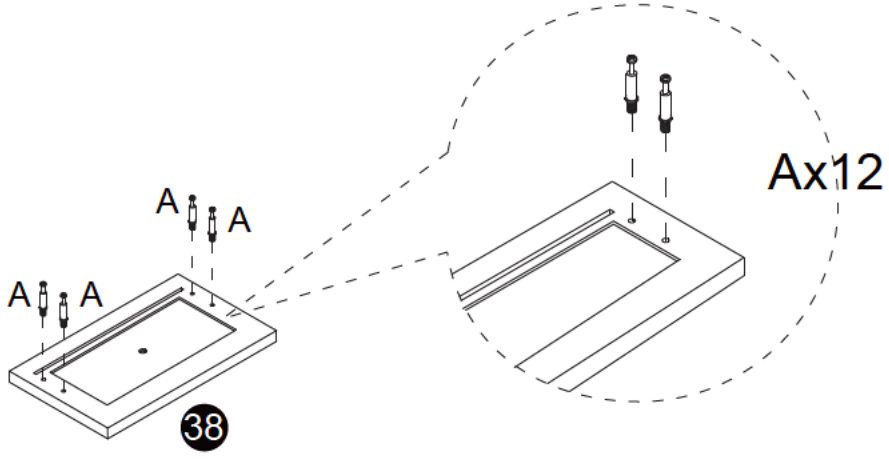
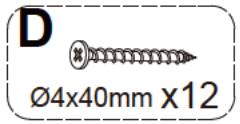
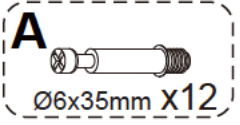
- J**  **X2**
- BB**  **X1**





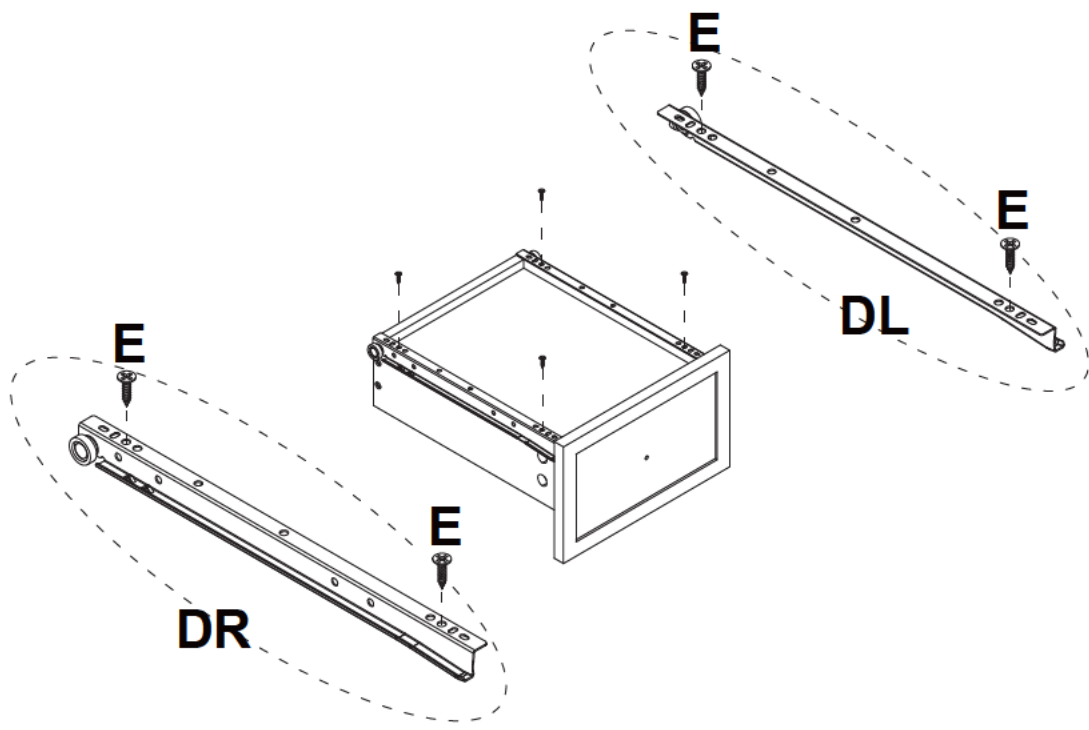
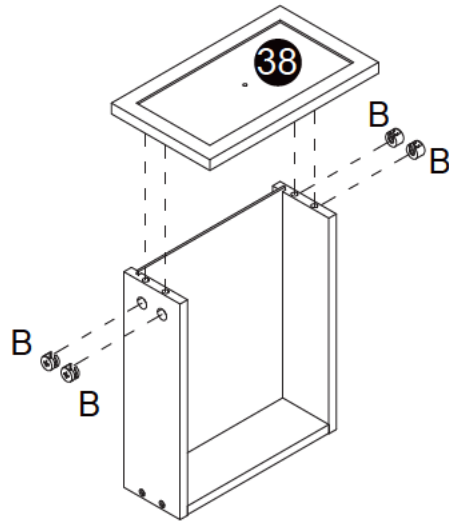
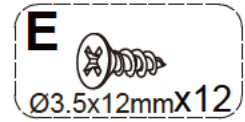
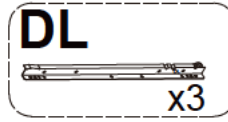


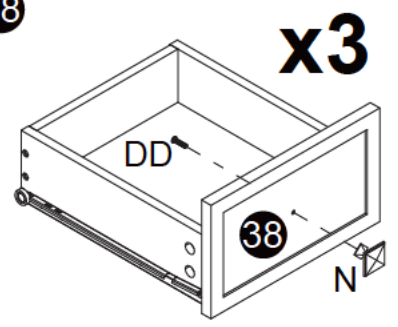
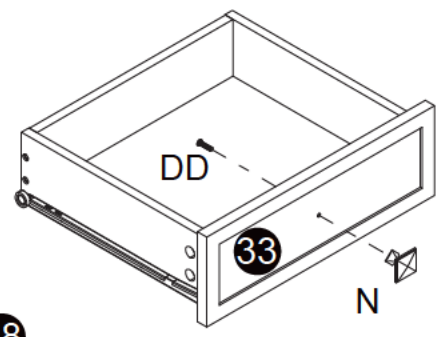
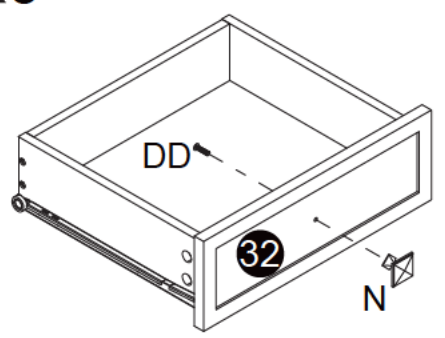
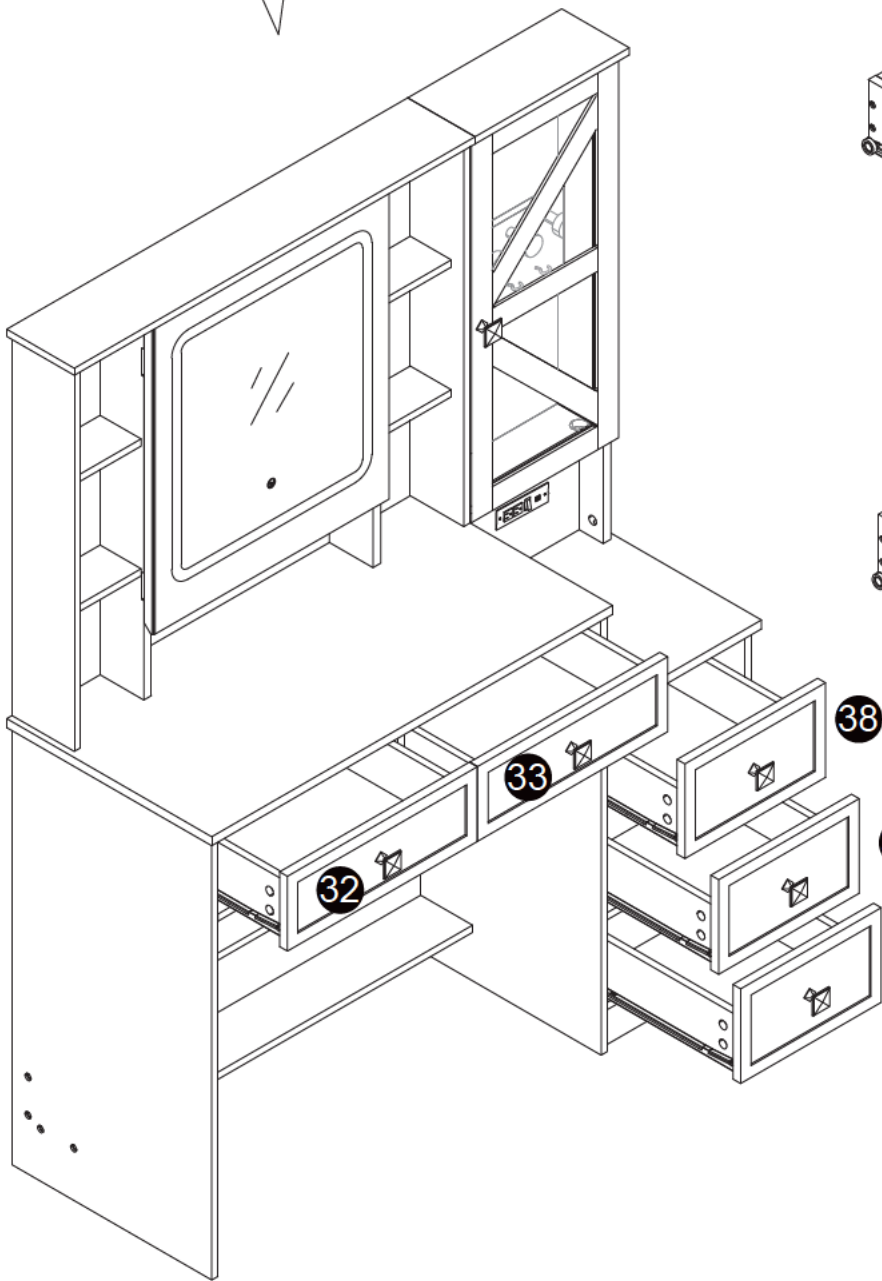
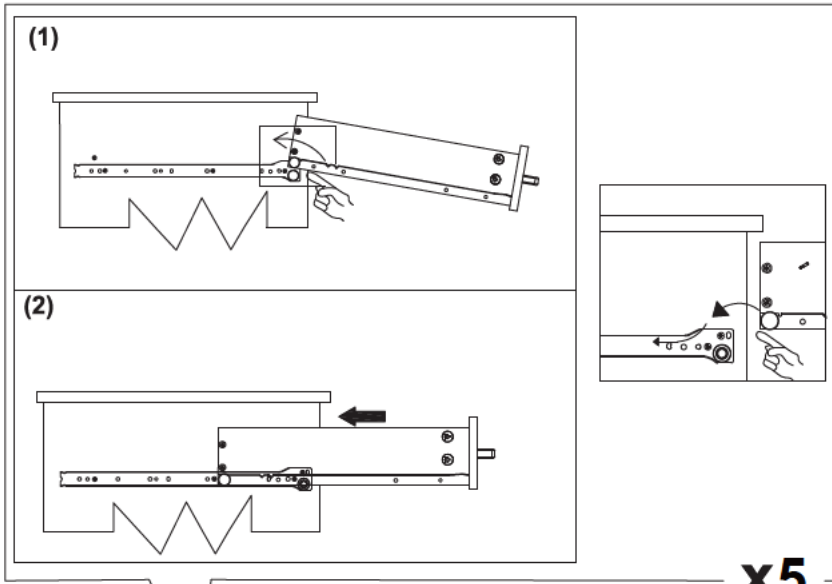
x3

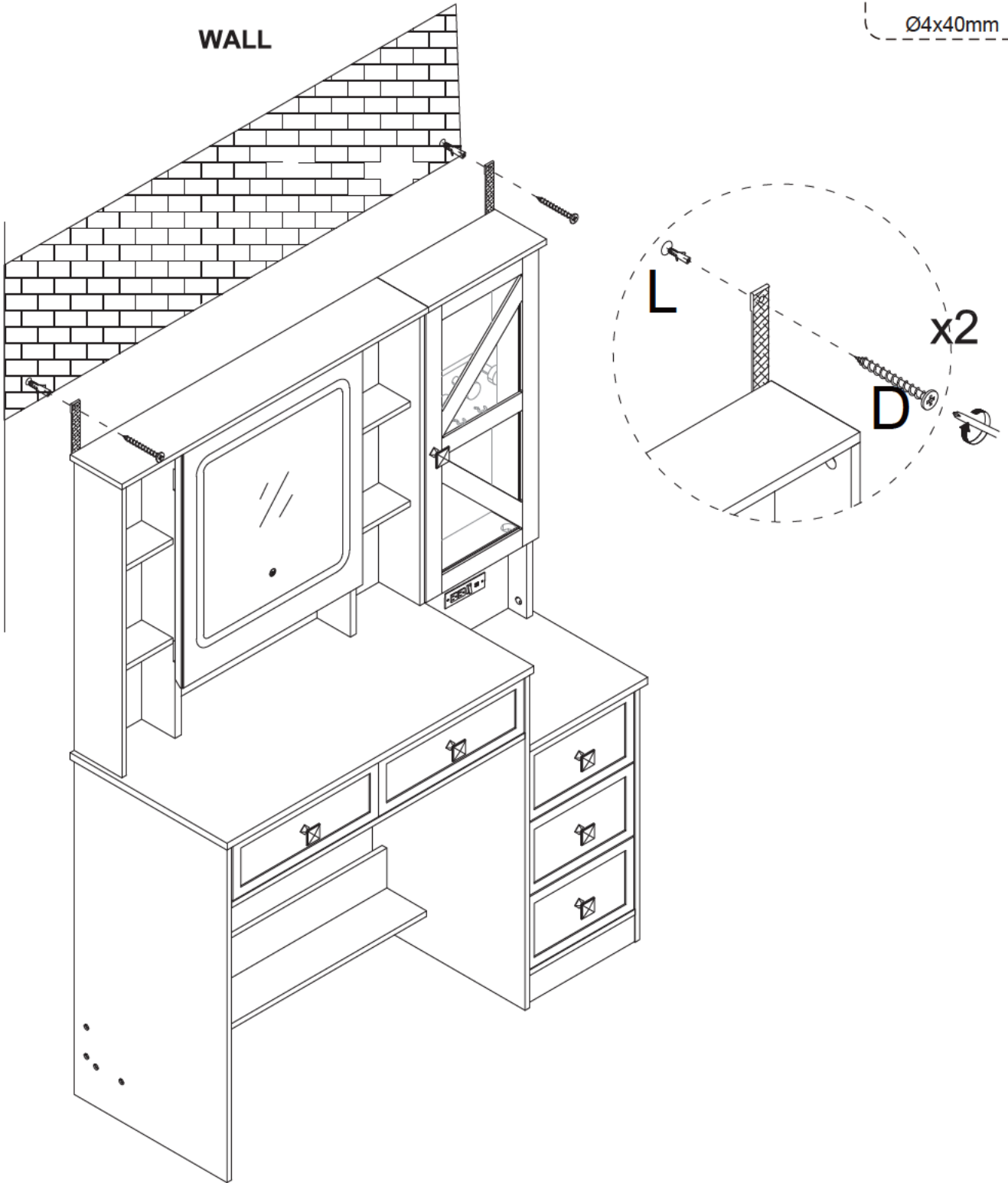
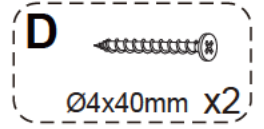
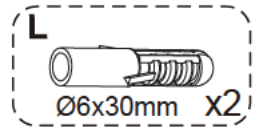
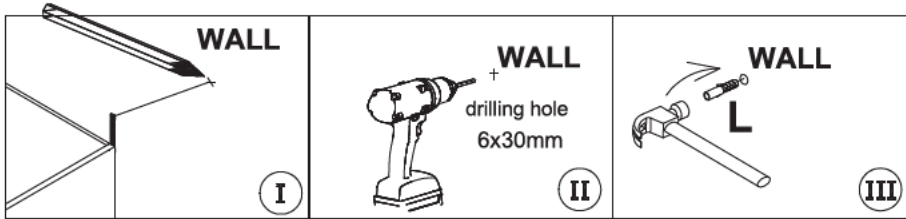


34

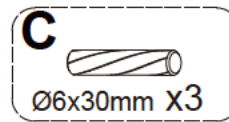
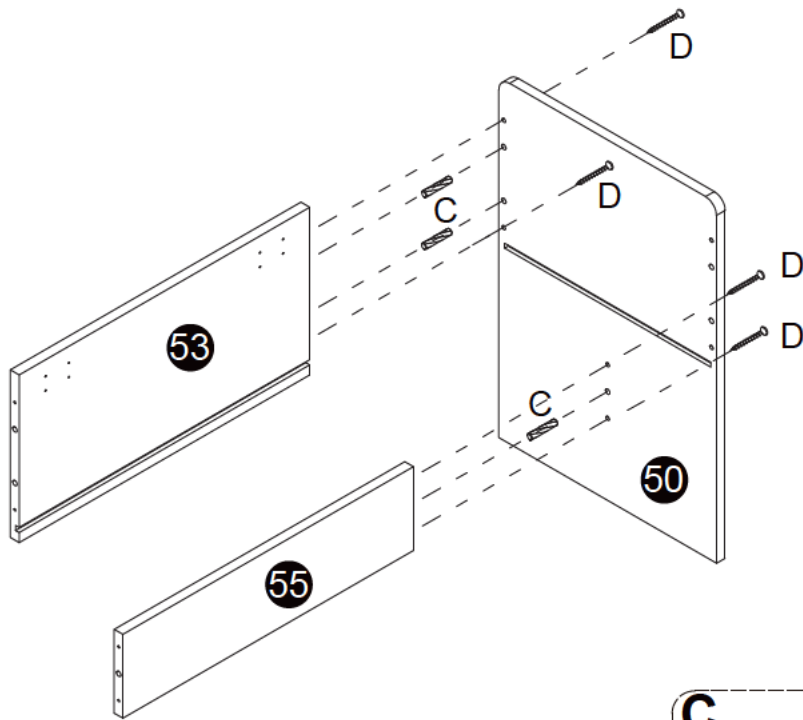
x3



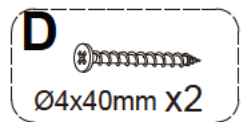
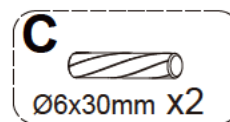
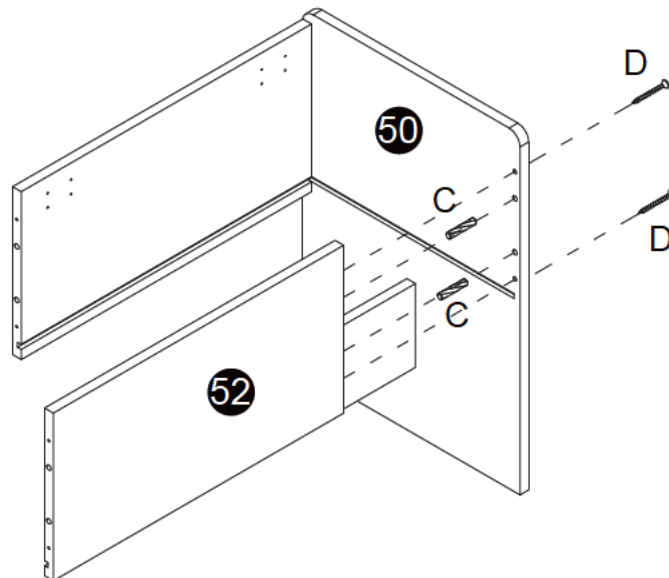




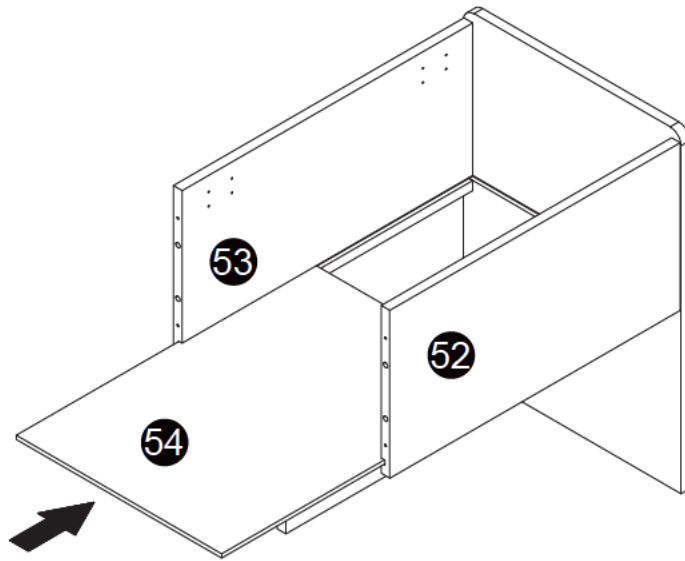
37



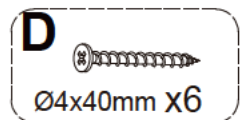
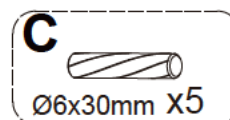
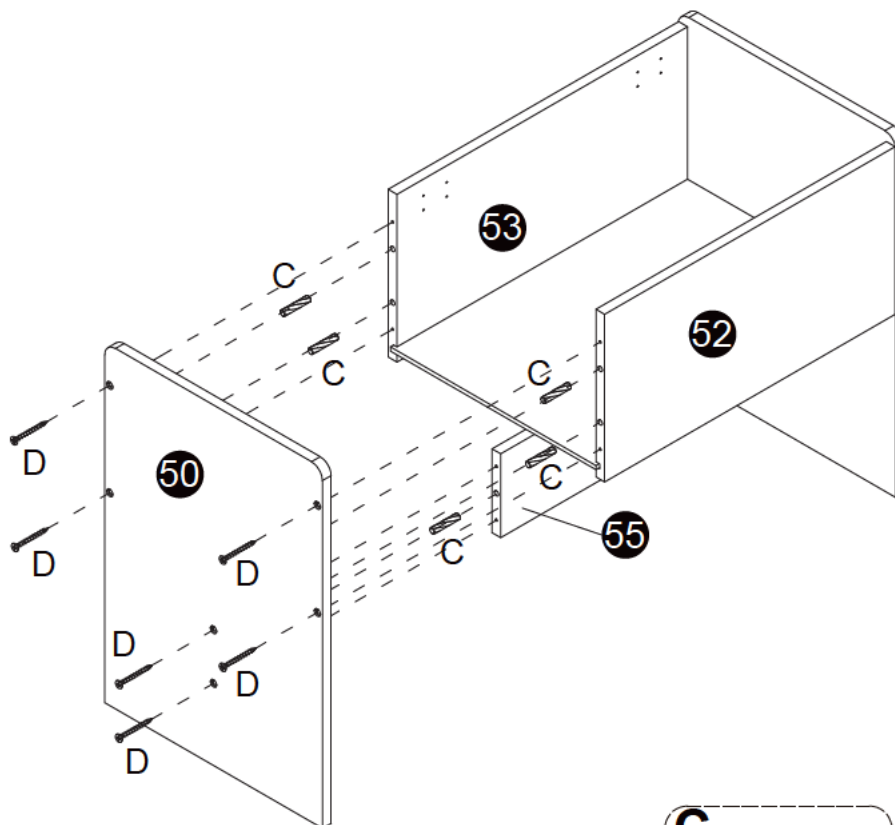
38



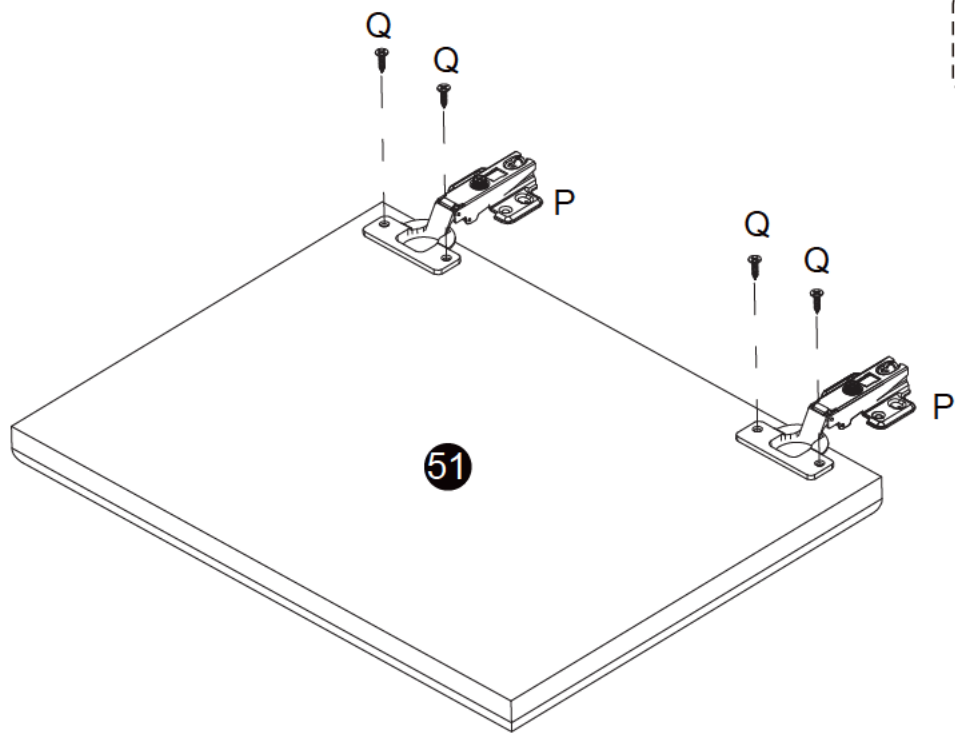
39



40



41



42

