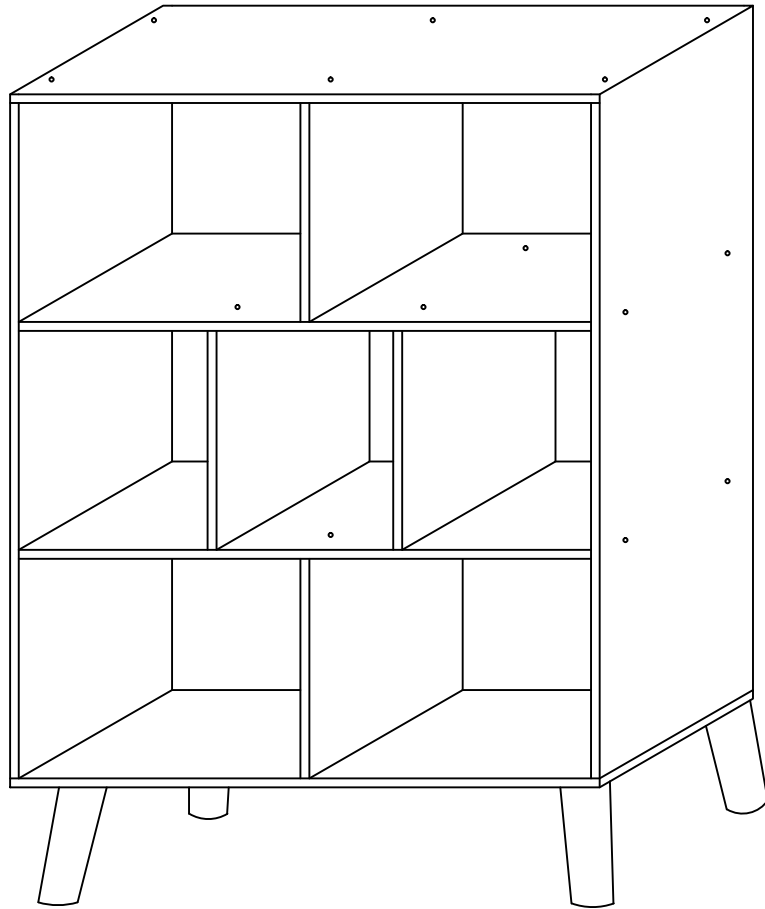


BOOKCASE



Notes



Assembly Notes:

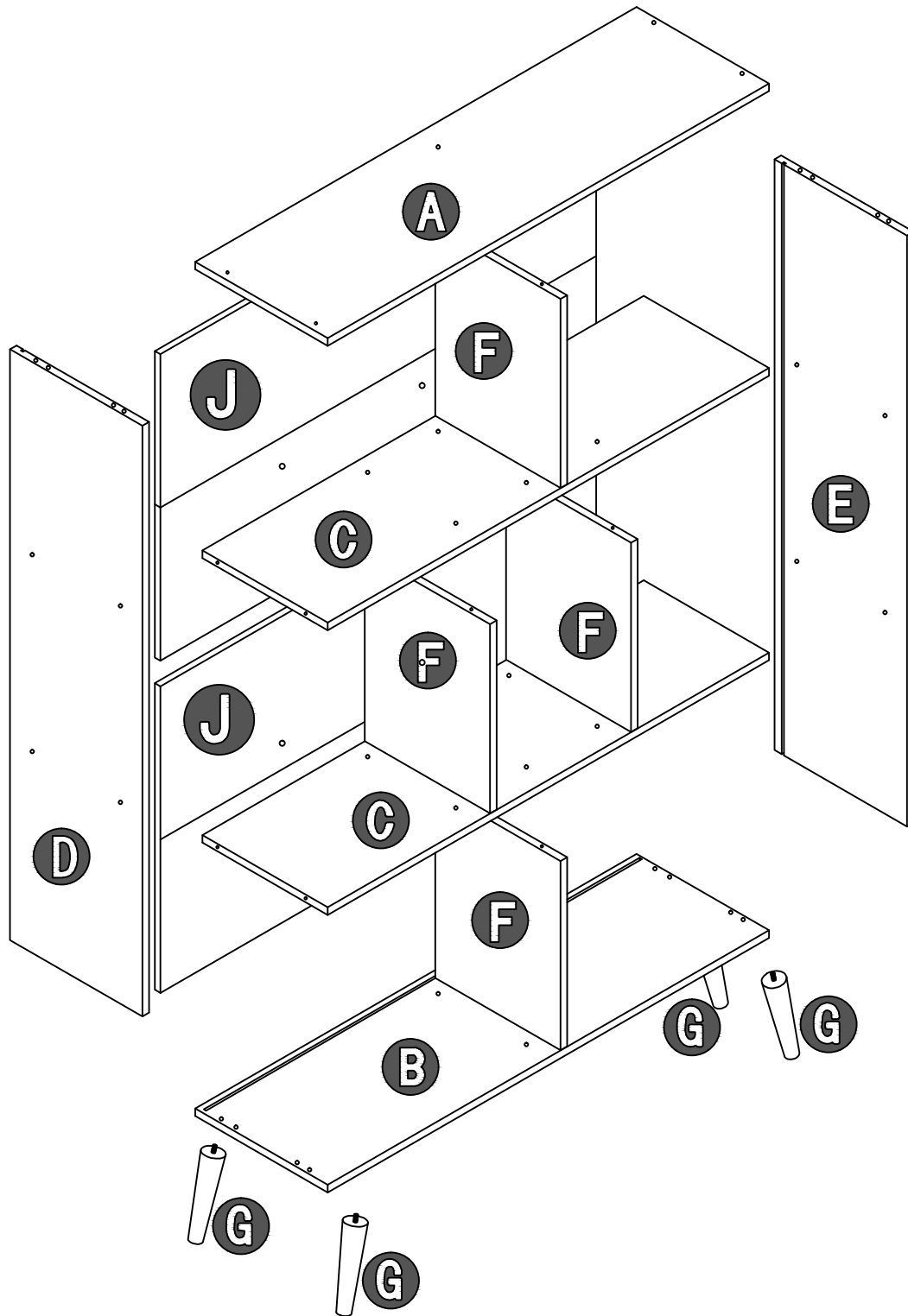
- Make sure all the parts and hardware are correct according to the instructions. Follow the instructions so the parts are assembled correctly.
- Do not fully tighten screws with Allan key until you have put together the whole bookcase. That way if you make a mistake you can quickly remove a screw.



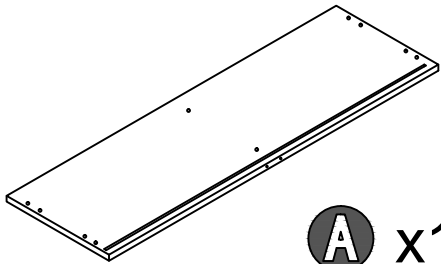
Daily Care:

- Clean the bookcase regularly. Do not use Alcohol, gasoline or any organic solvent for cleaning.
- Do not put the bookcase in a humid environment, a dry, ventilated place is recommended to avoid direct sunlight, so as to prevent premature oxidation and ensure the crate's safety of use and service life.

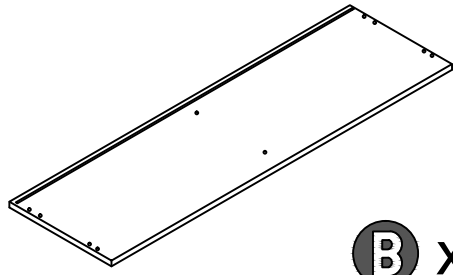
Exploded View



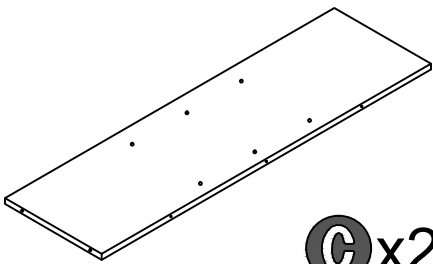
Parts List



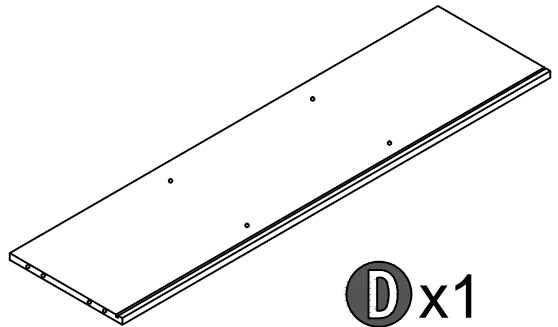
A x1



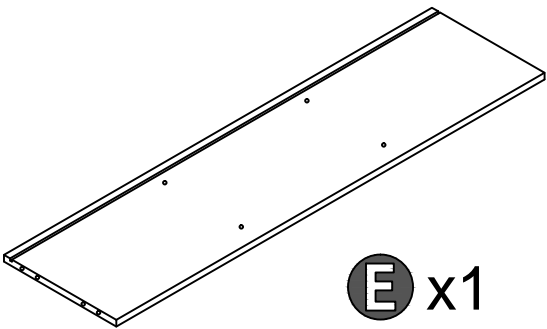
B x1



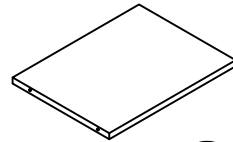
C x2



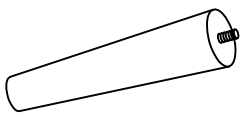
D x1



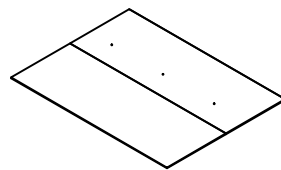
E x1



F x4

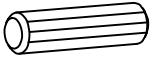


G x4



J x2

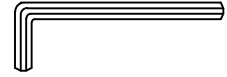
Hardware List



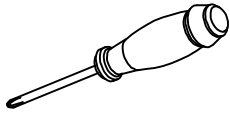
③ X 8+1 $\phi 6*30$



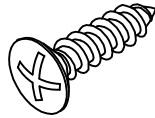
④ X 32+1 $\phi 5*40$



⑤ X 1 M3mm



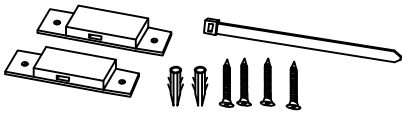
⑥ X 1



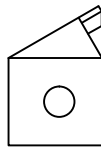
⑦ X 26+1 $\phi 3.5*12$



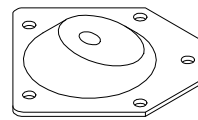
⑧ X 18+1 $\phi 3.5*14$



⑨ X 1



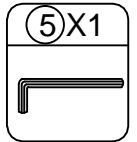
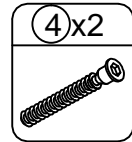
⑩ X 18+1



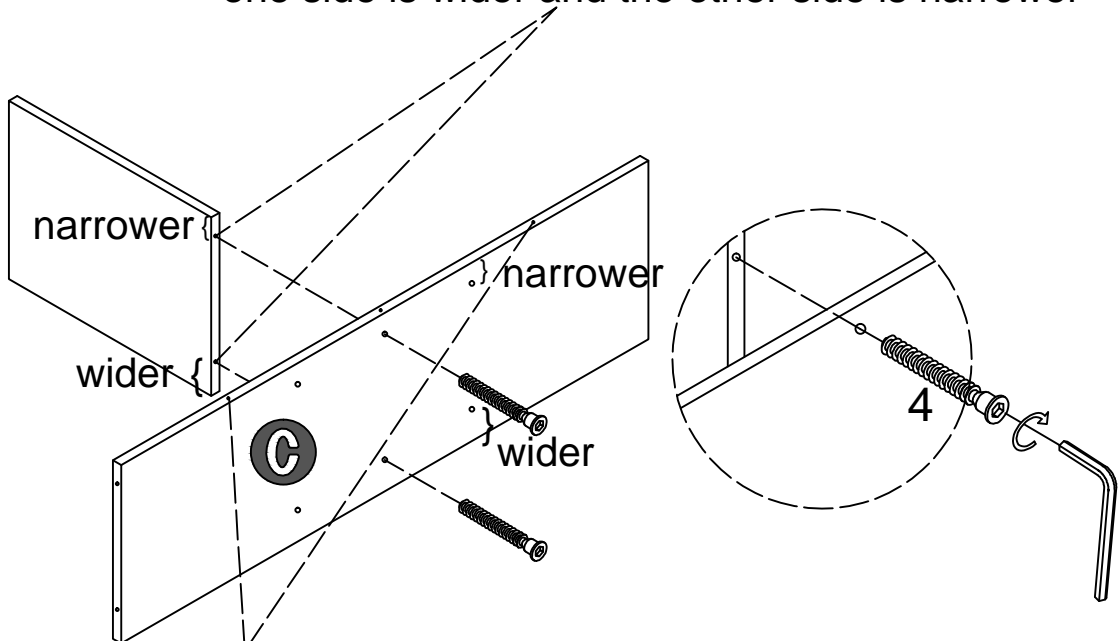
⑪ X 4



Step 1



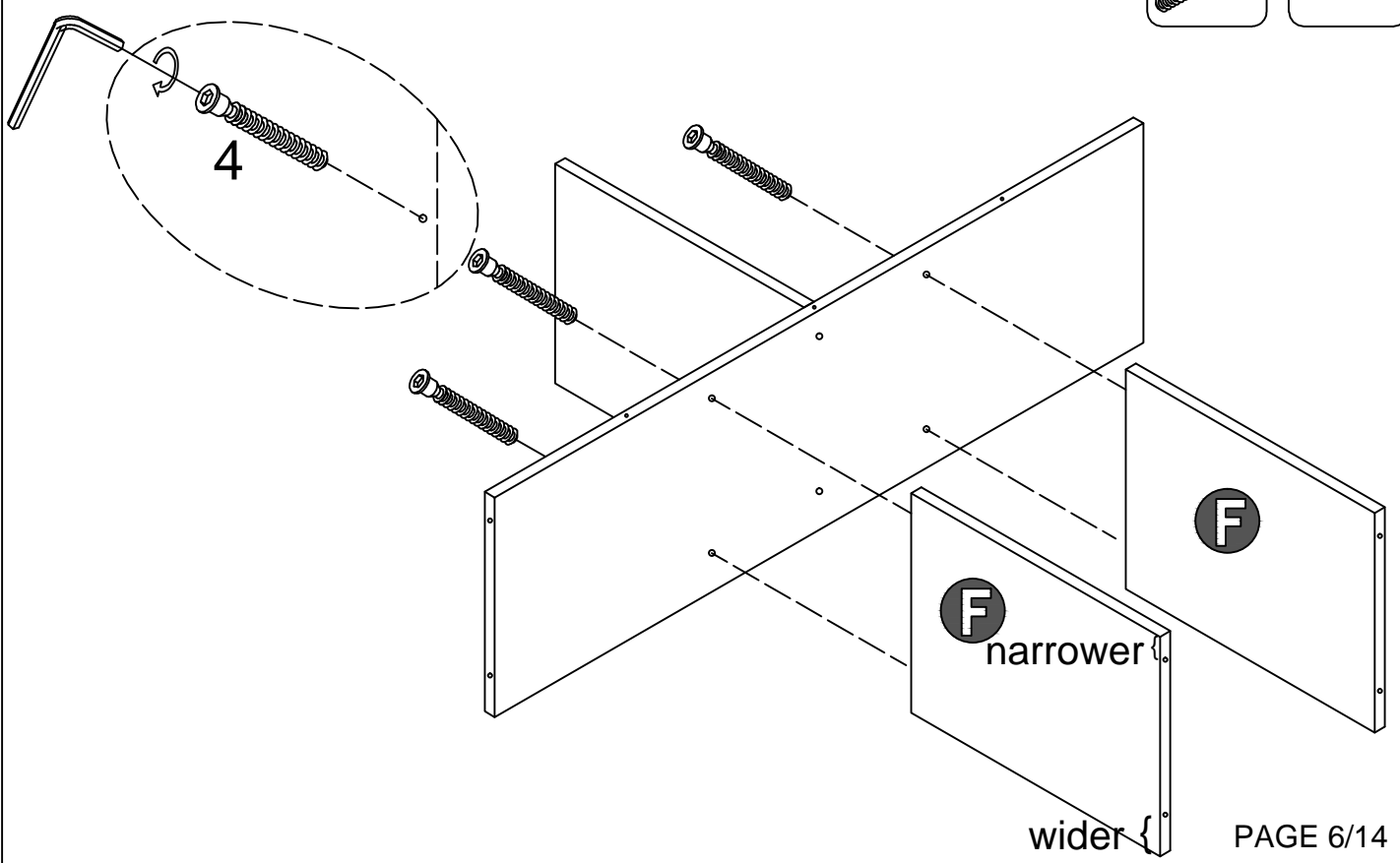
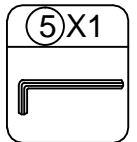
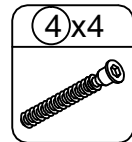
Pay attention to the distance between the mounting holes and the edge of the plate one side is wider and the other side is narrower



Note: these holes are upward



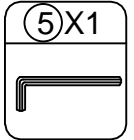
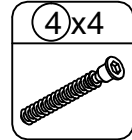
Step 2



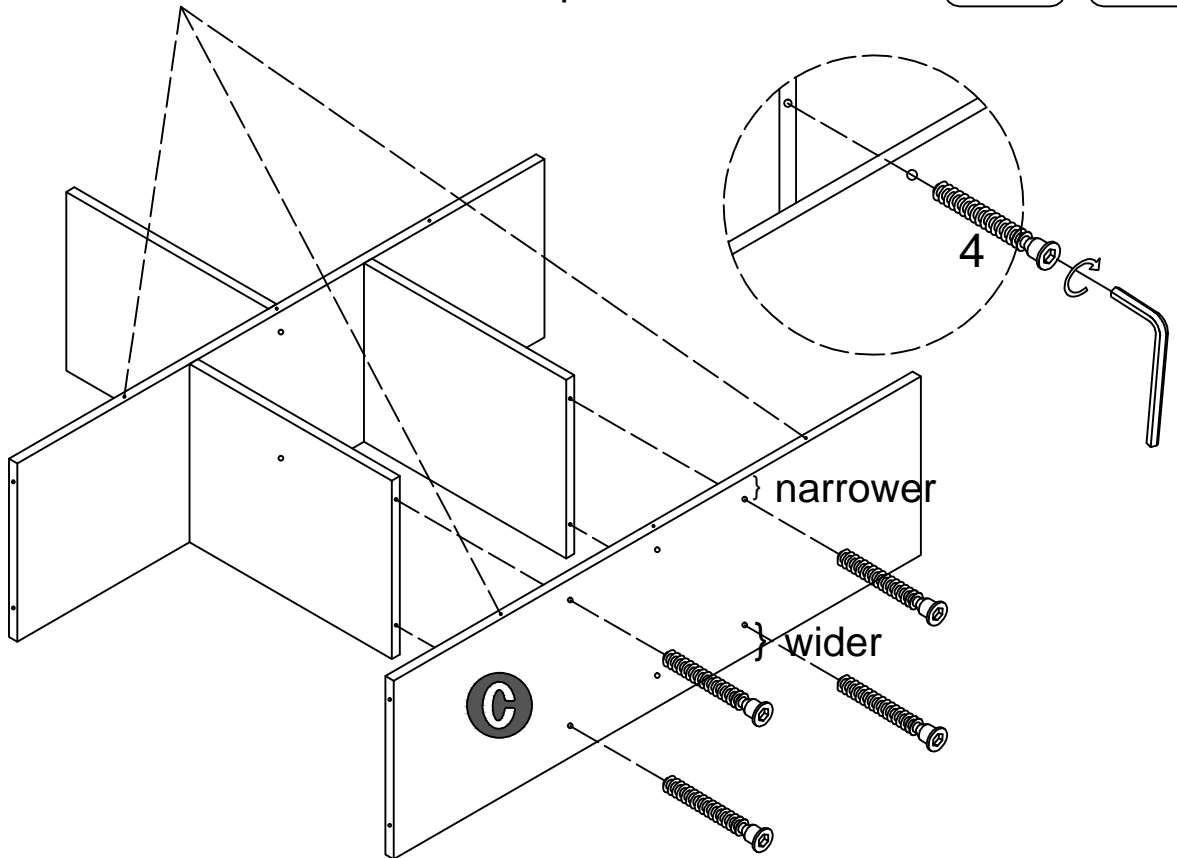
wider {



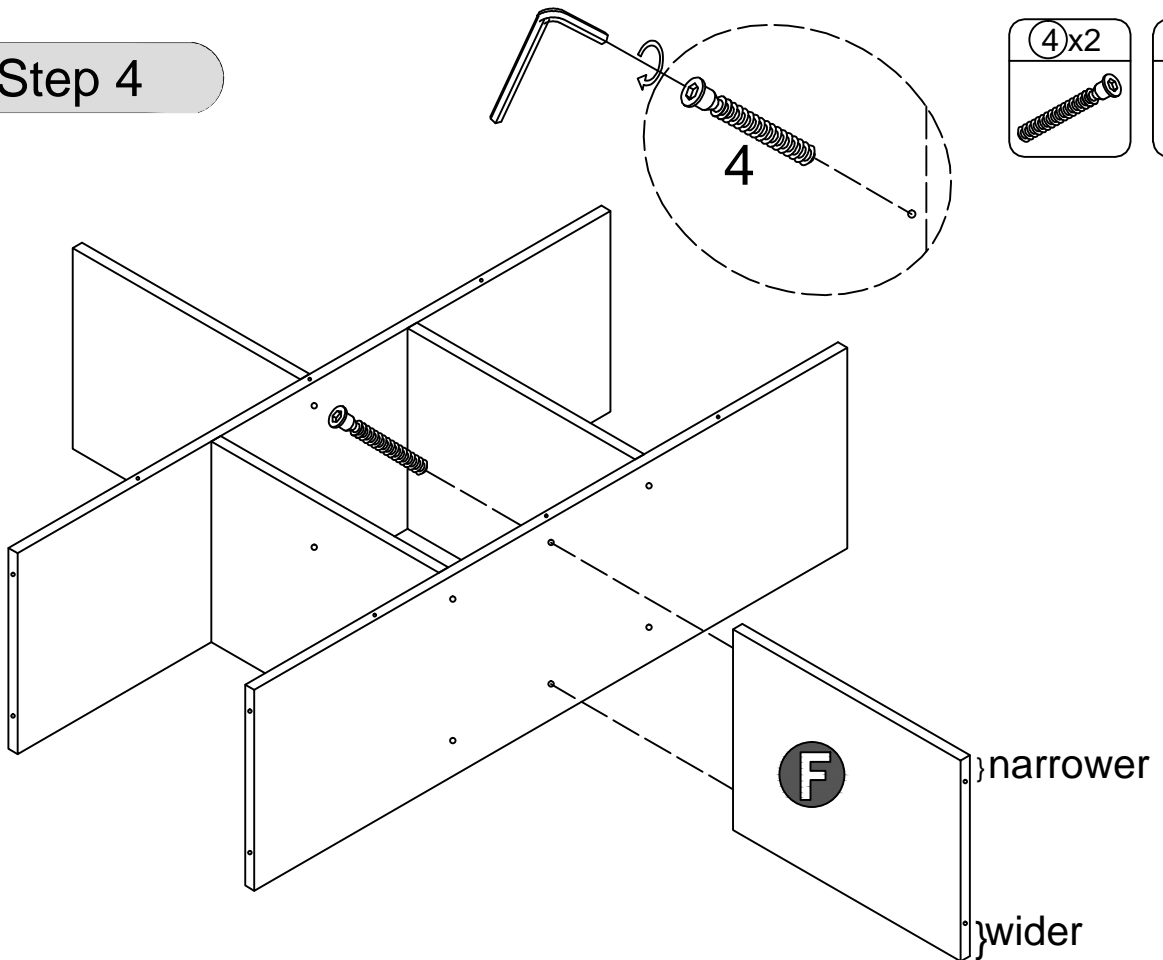
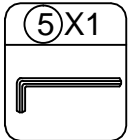
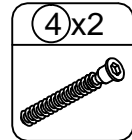
Step 3



Note: these holes are upward

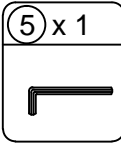
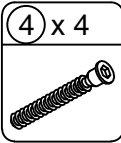


Step 4

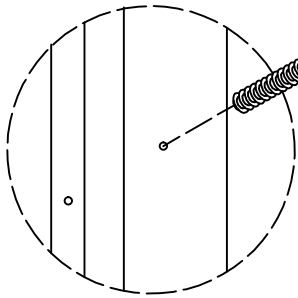




Step 5

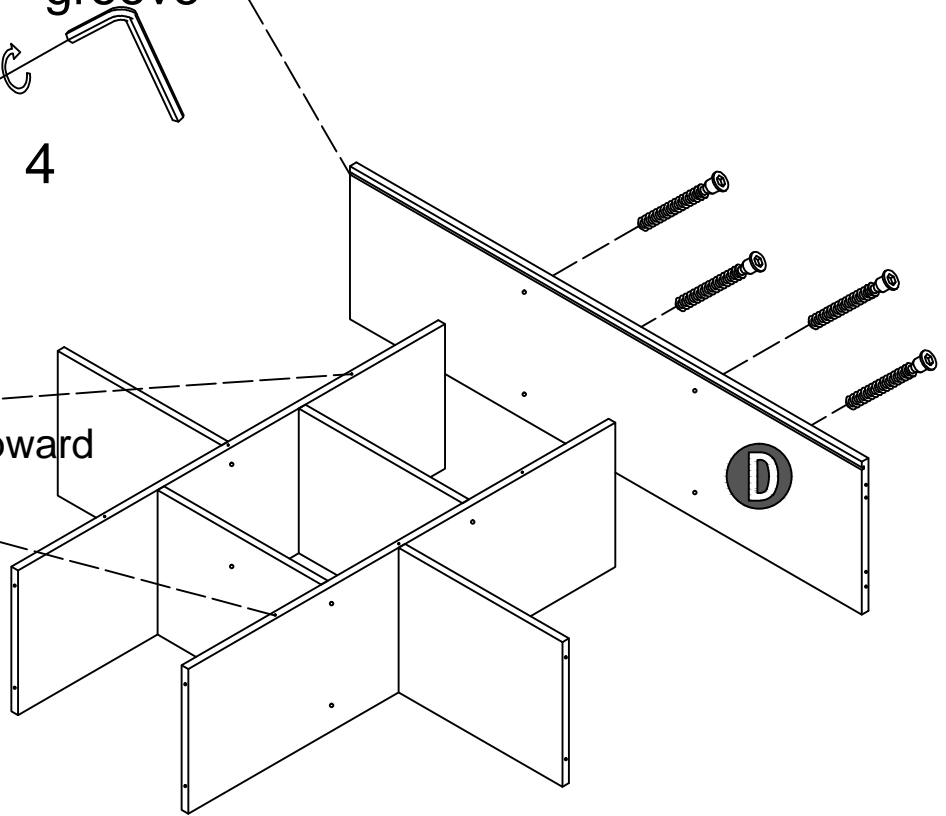


Note the direction of the groove

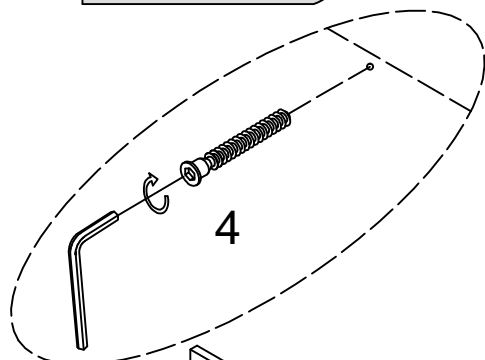
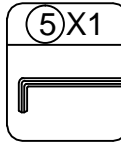
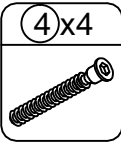


4

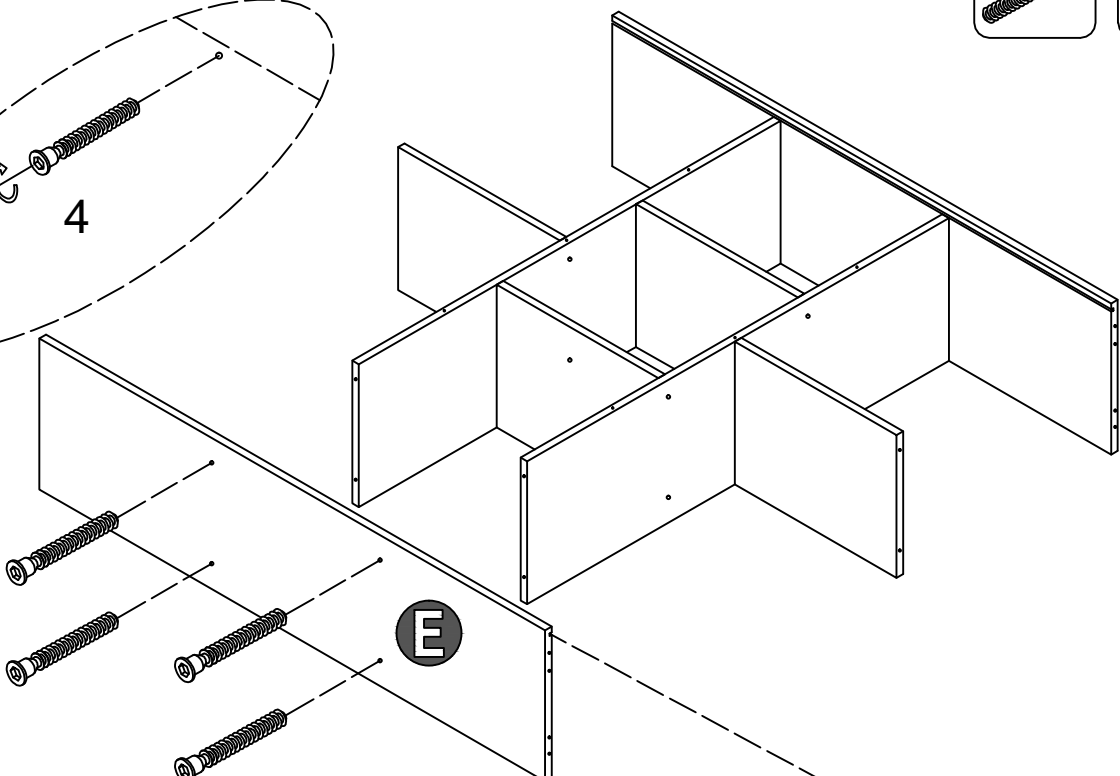
Note: these holes are upward



Step 6



4



Note the direction of the groove

3x4

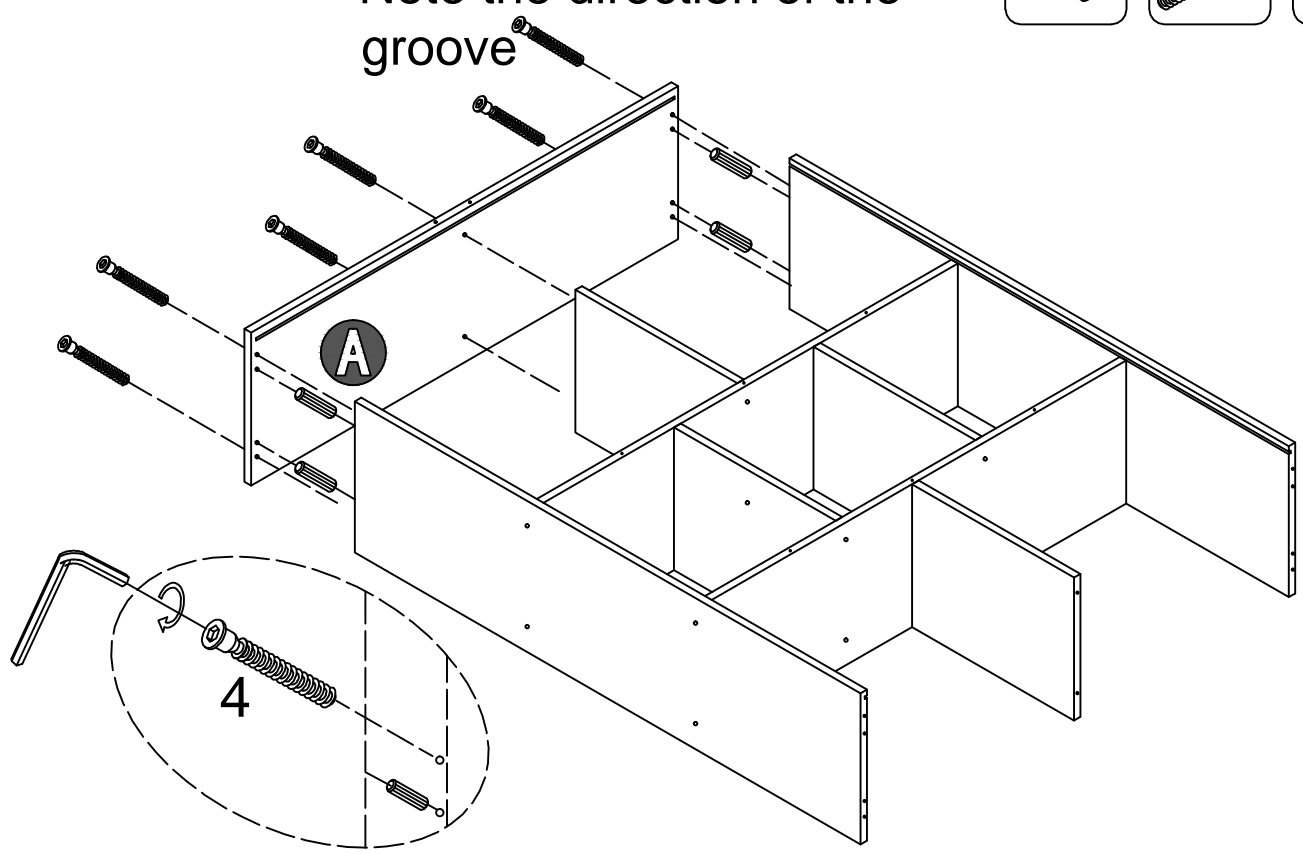
4x6

5x1



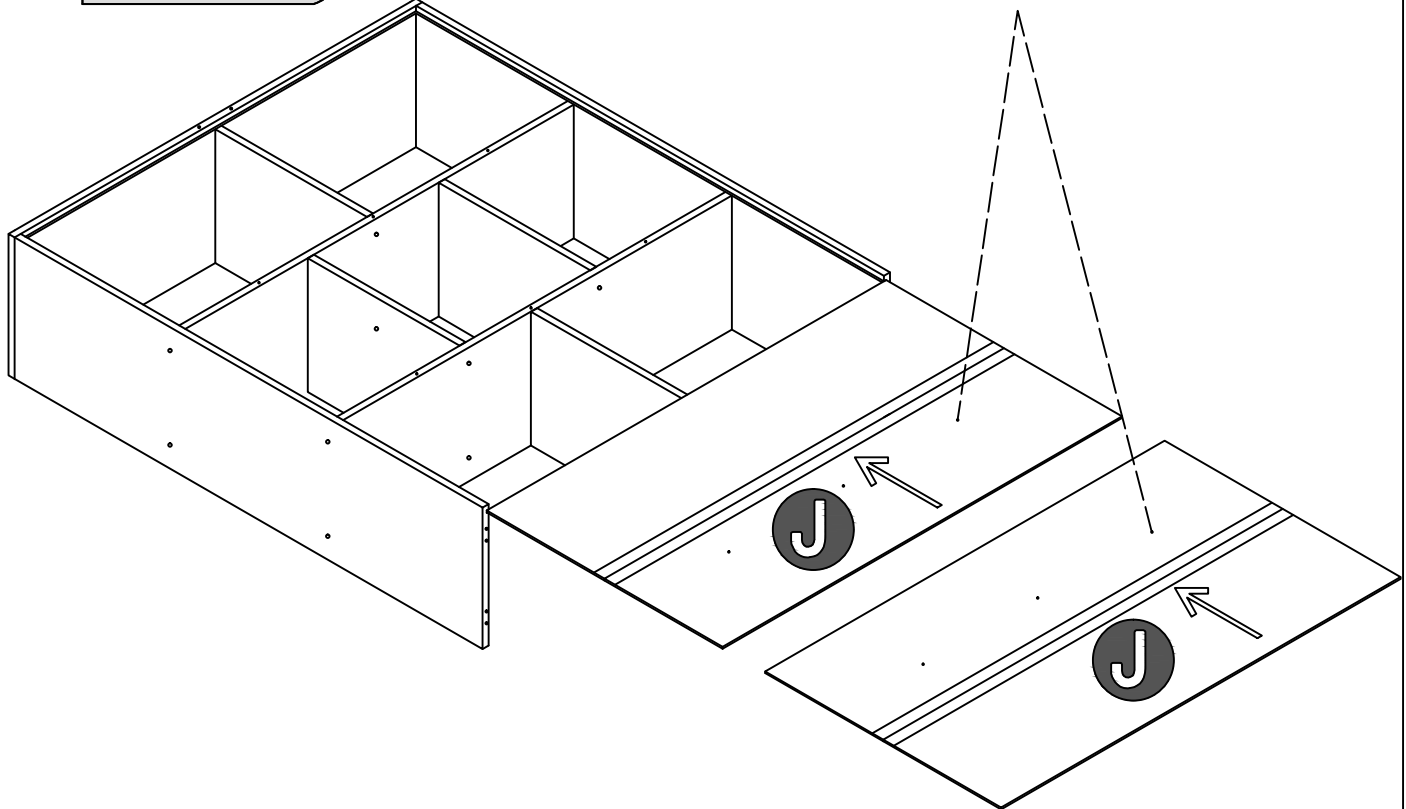
Step 7

Note the direction of the groove



Step 8

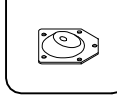
Note: the side with tape faces outwards



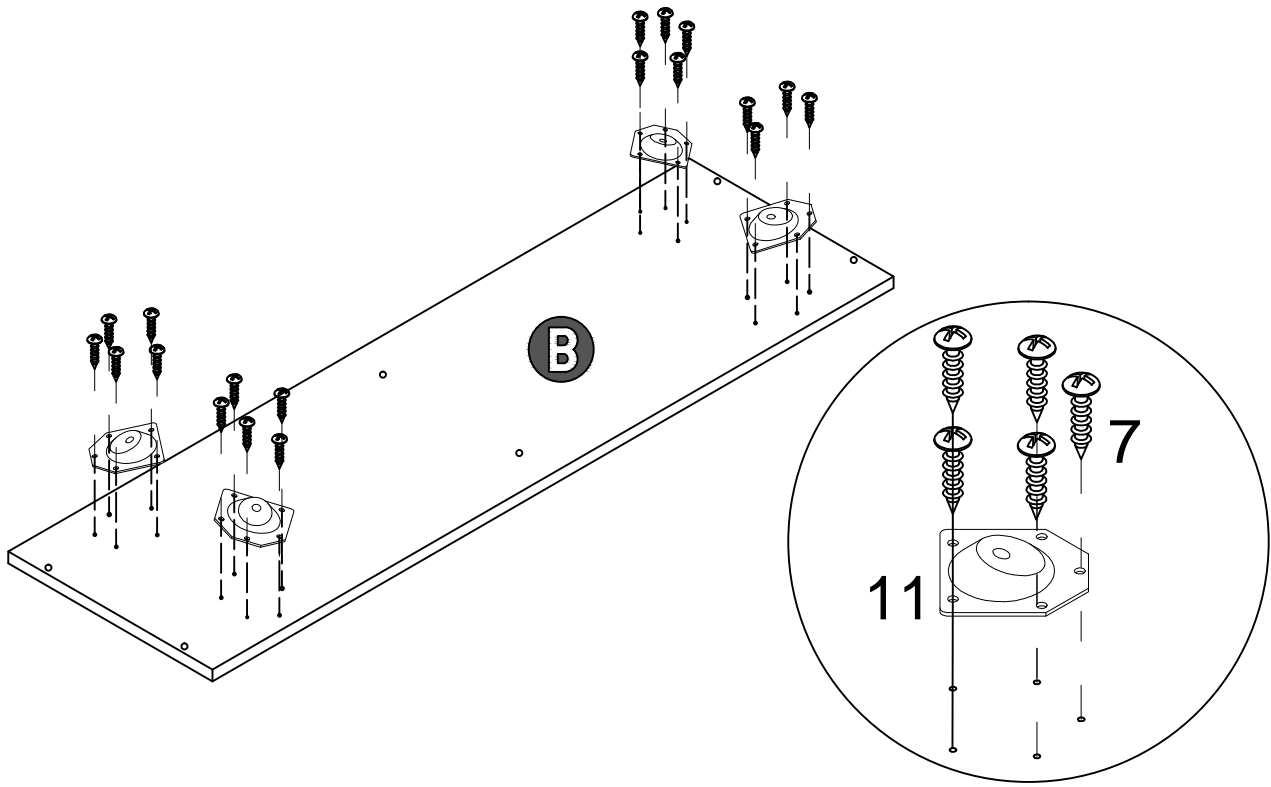
7 x 20

11 x 4

6 x 1



Step 9



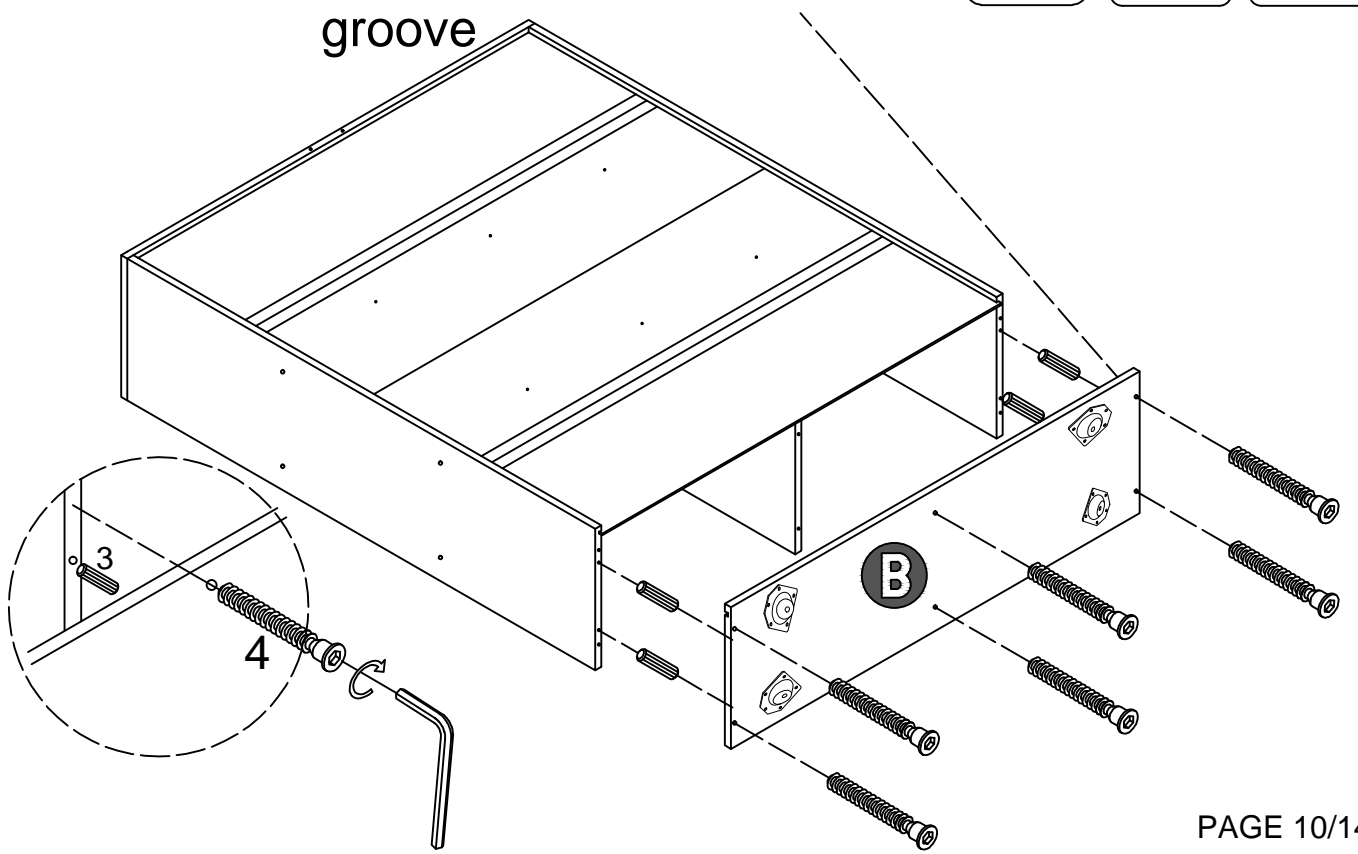
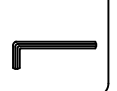
Step 10

Note the direction of the groove

3 x 4

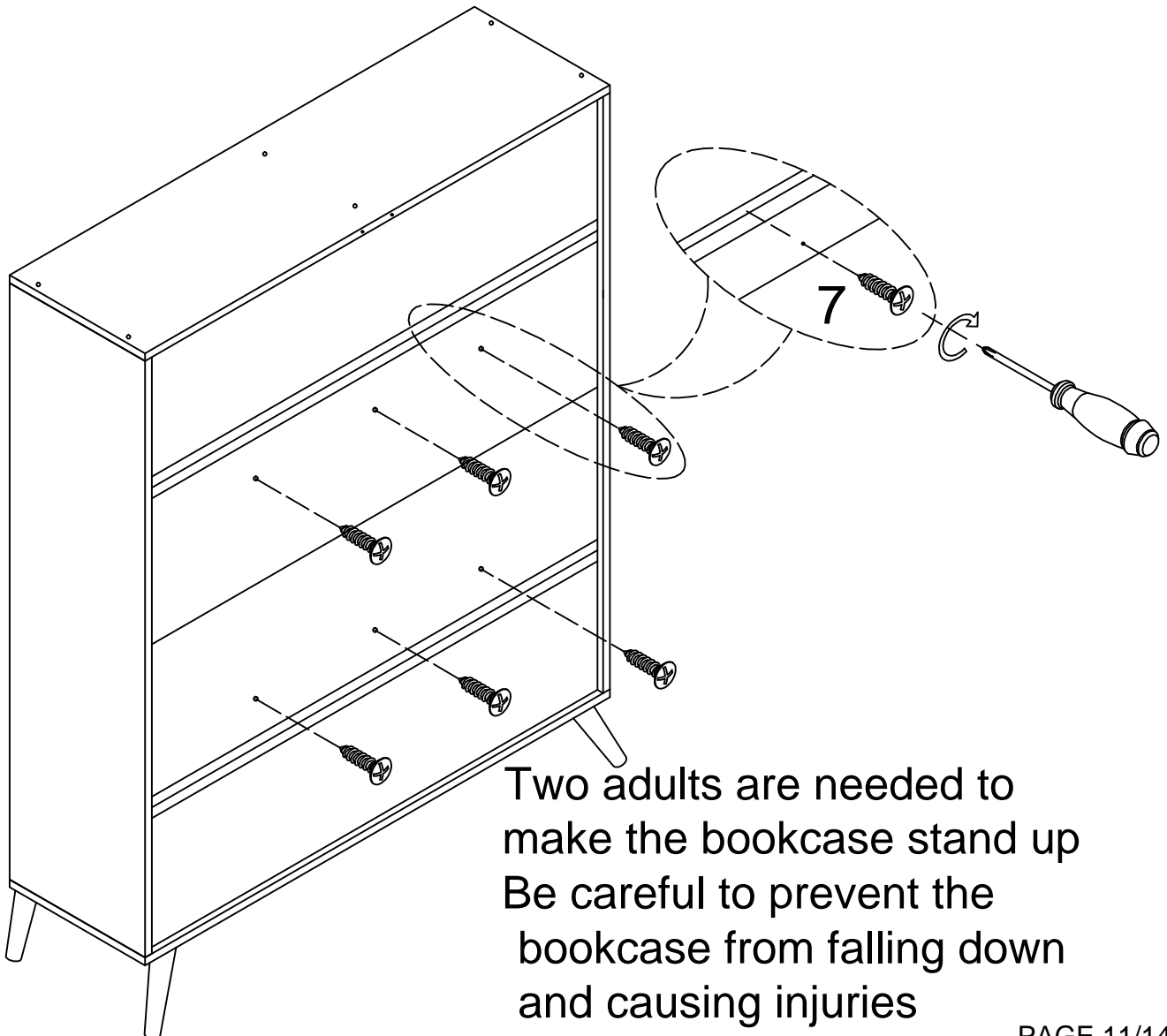
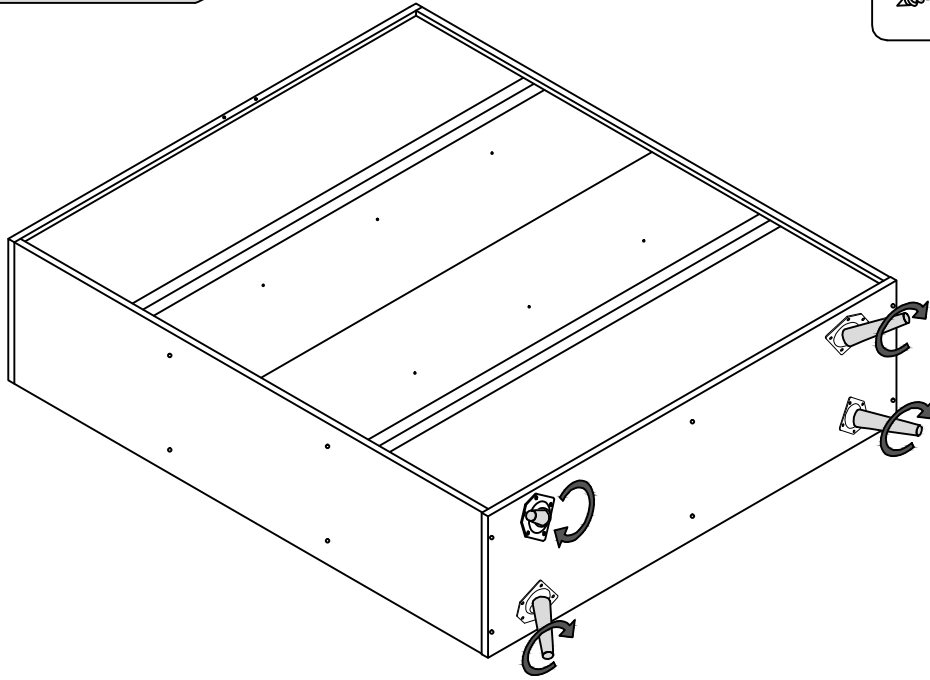
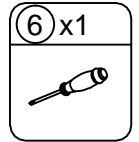
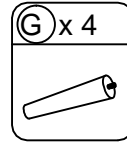
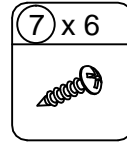
4 x 6

5 x 1

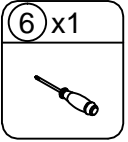
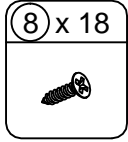
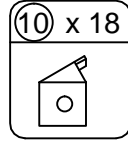




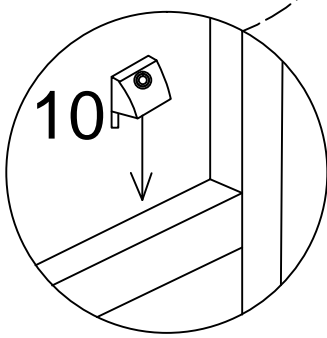
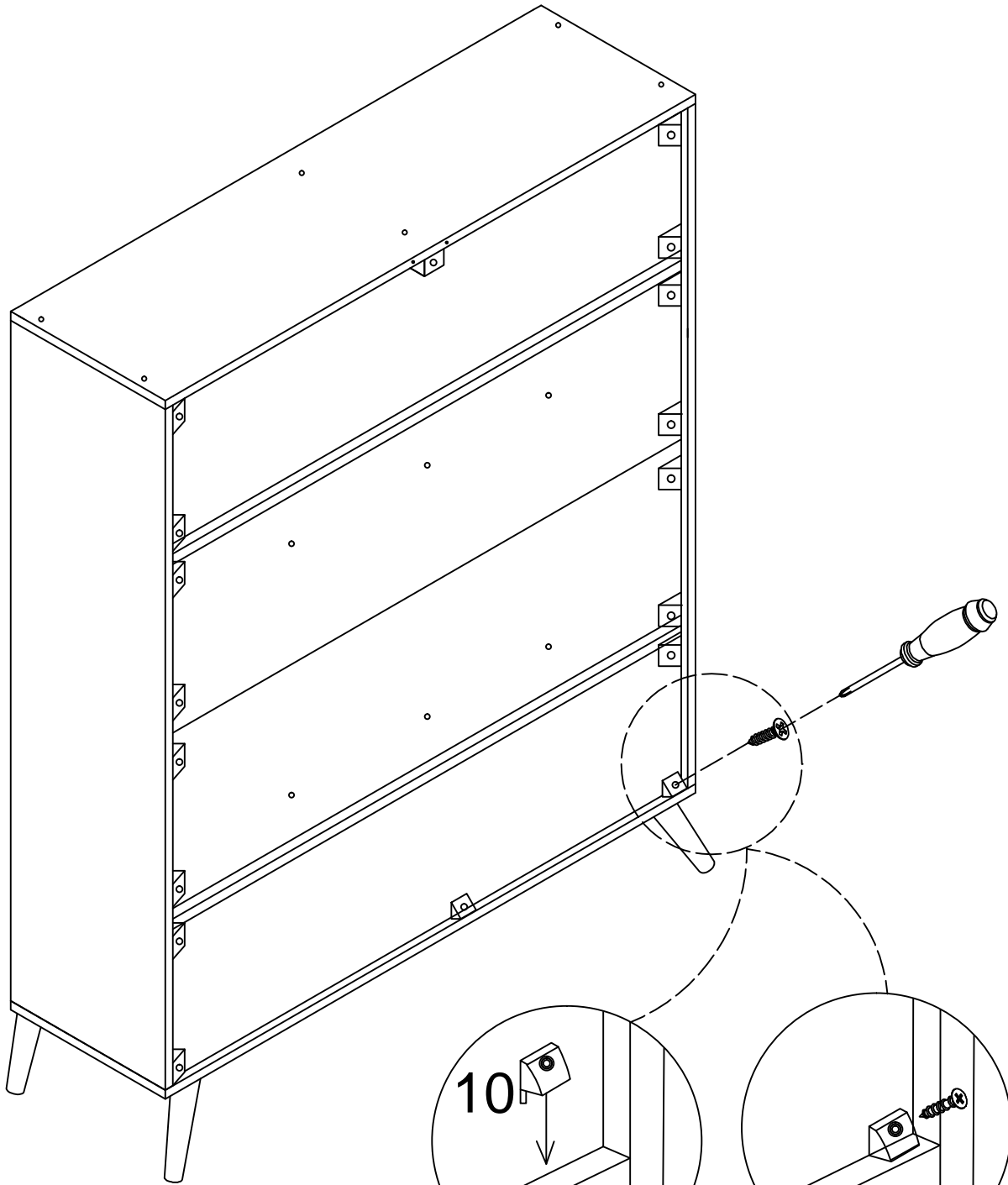
Step 11



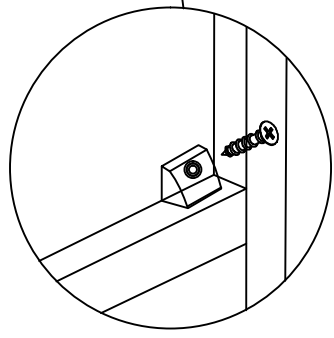
Two adults are needed to make the bookcase stand up
Be careful to prevent the bookcase from falling down and causing injuries



Step 12



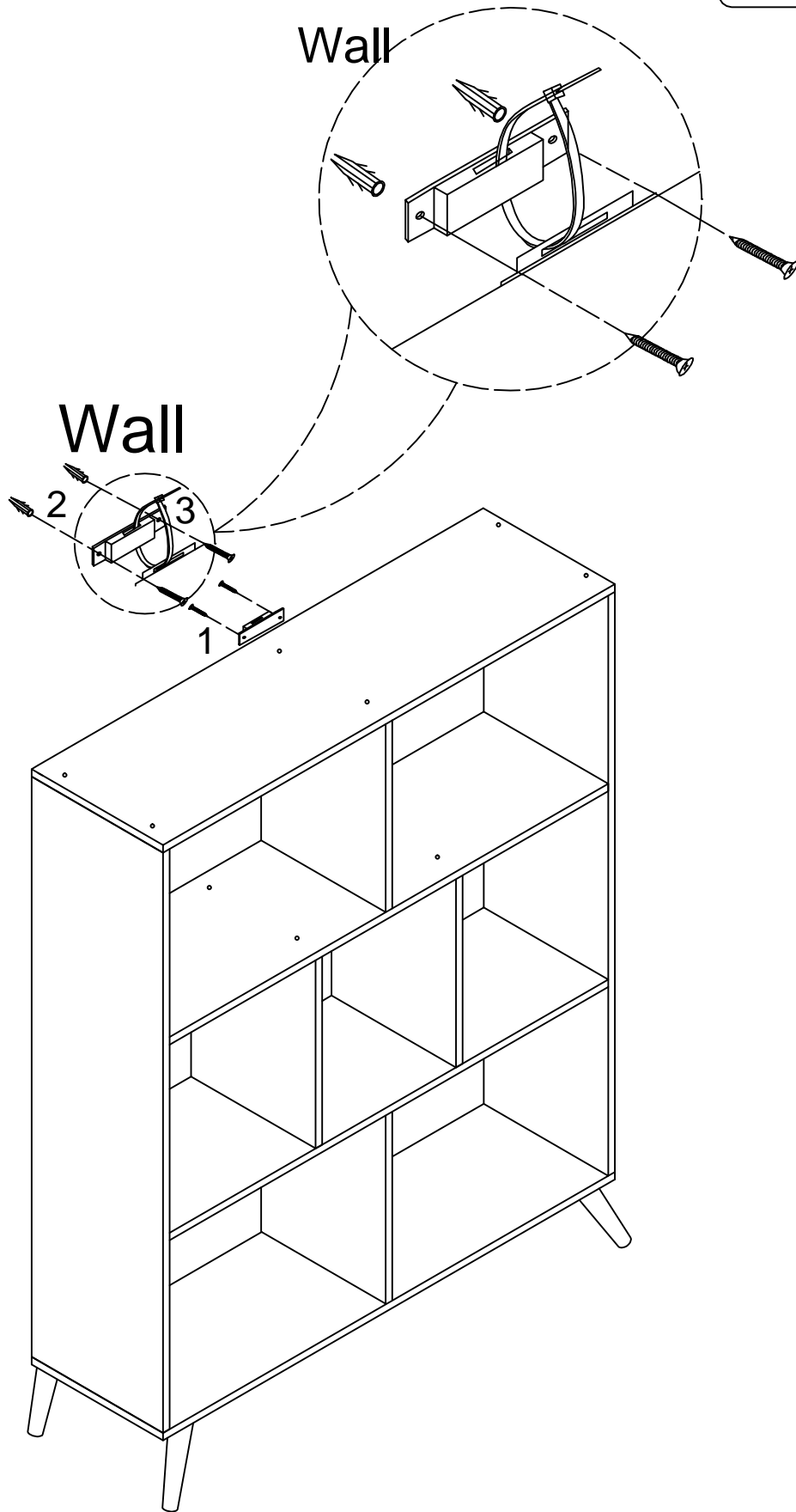
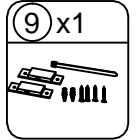
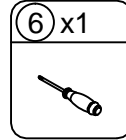
1



2



Step 13



Warning

Seller is responsible for the product-related issues occurred upon receipt, but will not be responsible for the personal injury, property damage or loss resulting from the incorrect assembly, improper use, inadequate maintenance or neglect of this product.