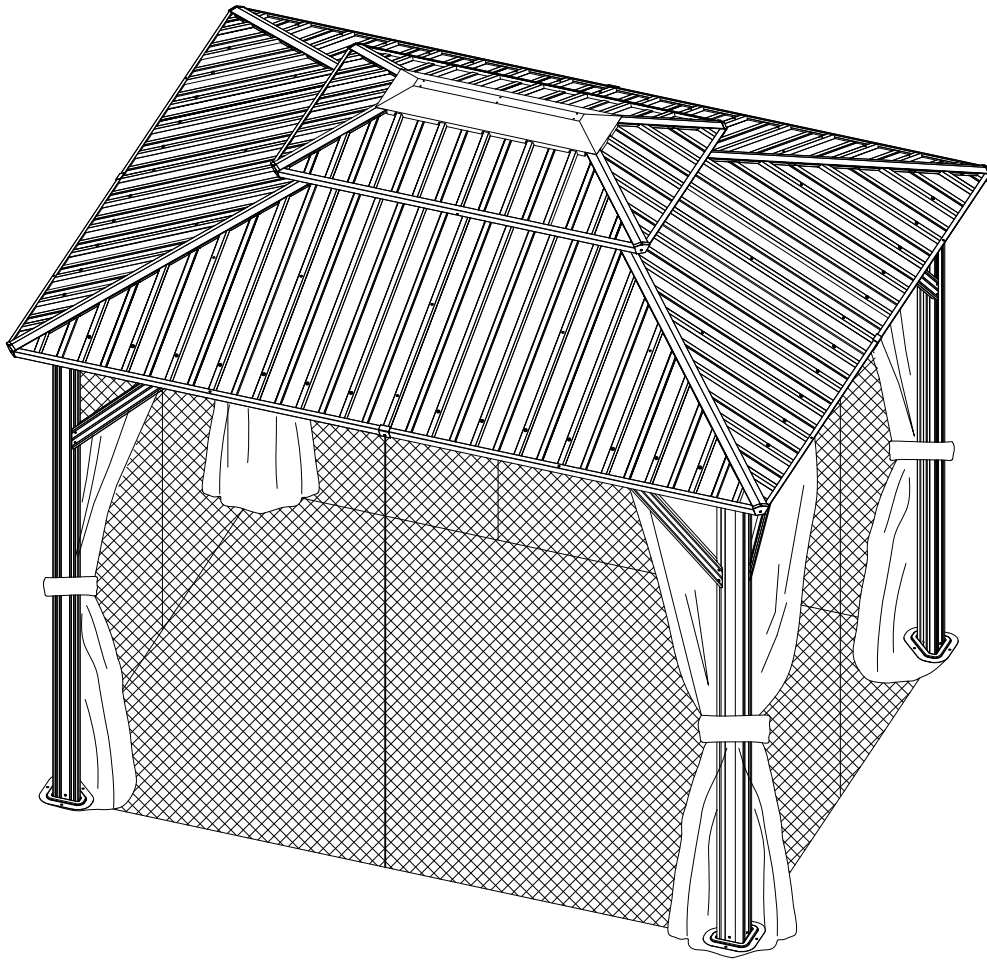




8'x10' Metal Patio Gazebo

ASSEMBLY MANUAL



MODEL#:LGMF1731

Missing part? Damaged? Contact us via email at

service@domioutdoorliving.com

www.domioutdoorliving.com

Pre-assembly



1. Two or more people are required for assembly.



2. You will need one or more stepladders.



3. Wearing protective gloves is recommended.



4. You may need a safety hat.



5. Please use a Phillips screw driver.



6. For ease of construction, you may need a drill.



7. You may need a safety goggle.



8. Do not fully tighten screws prior to complete assembly.

Warning & Attention

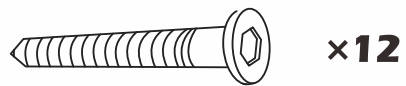
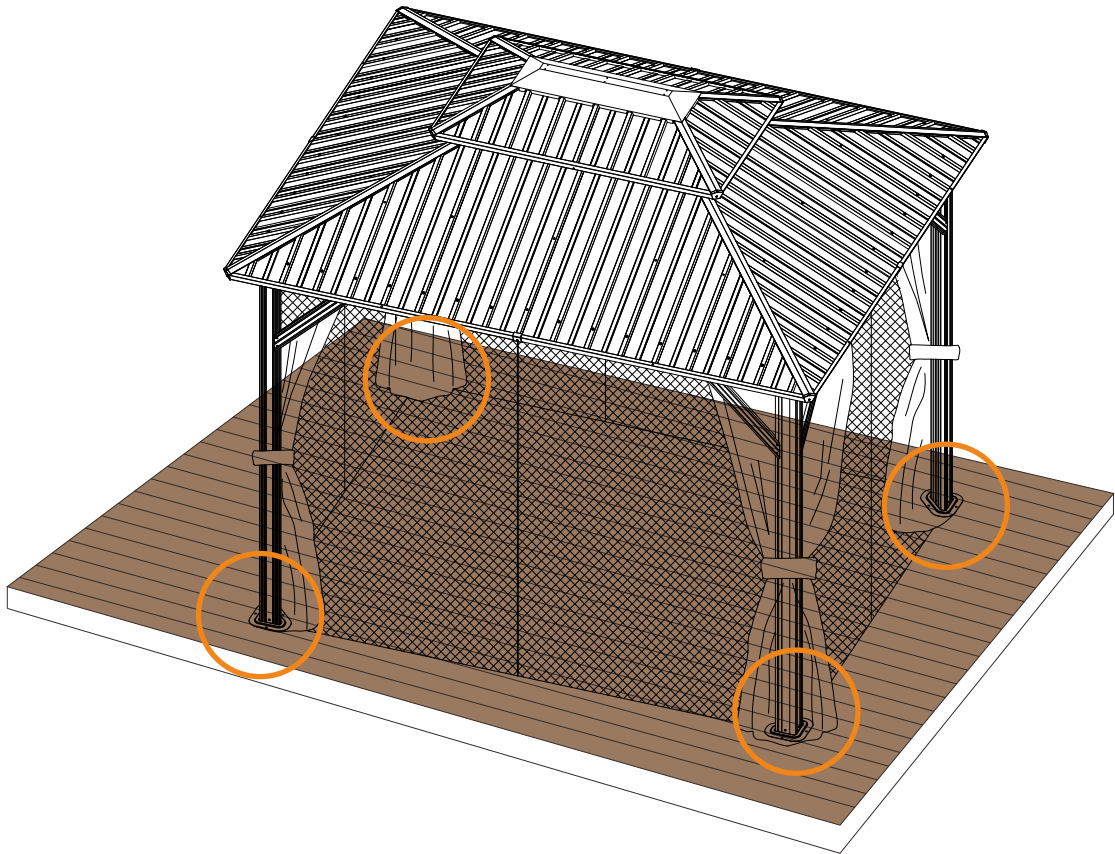
-Try to assemble this product on the flat ground, otherwise it is difficult to carry out;

-It would be much easier to assemble the product with three or more people;

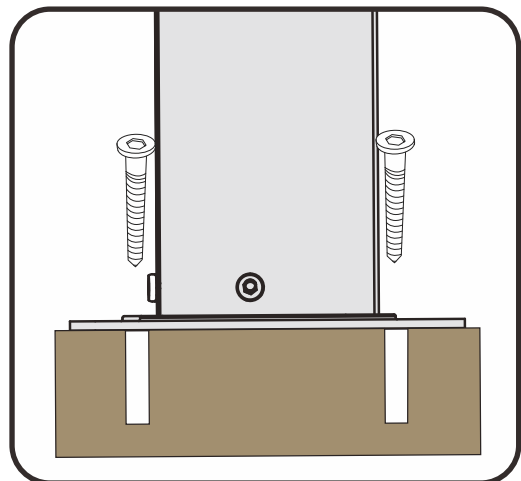
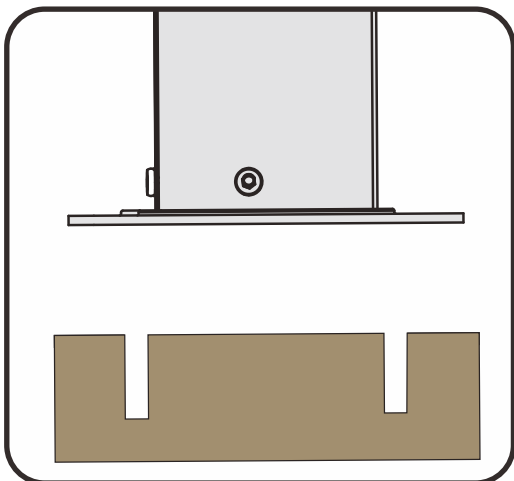
-After assembly, please check whether all screws are tightened, to prevent parts from falling apart.

▲ Use bolts to secure the frame to the ground to against the strong wind.
IMPORTANT: A gaze may entail to purchase a municipal permit or be subject to specific building codes. It is the consumer's responsibility to inform themselves of any restrictions.

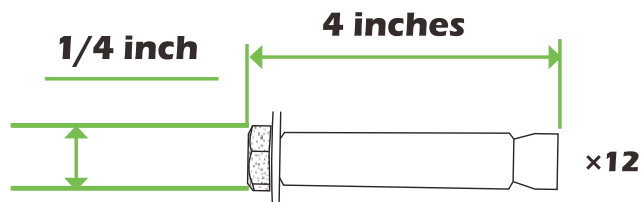
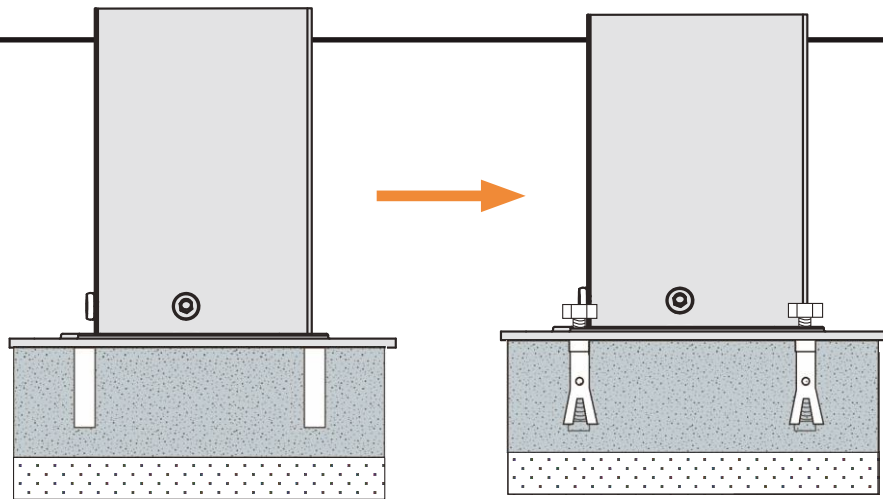
1



If the deck is hard wood and the depth of it is over 3 inch, you can use **5/16 in. x4 in. Structural Wood Screw** to mount the gazebo.

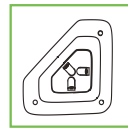
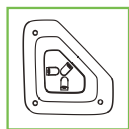
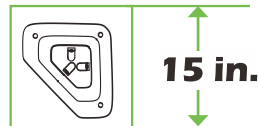


2



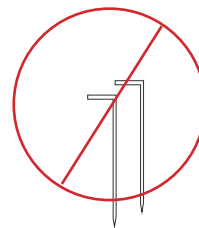
If the ground is concreted and the depth of it is over 3 inch, you can use 1/4 inch expansion bolts to mount the gazebo

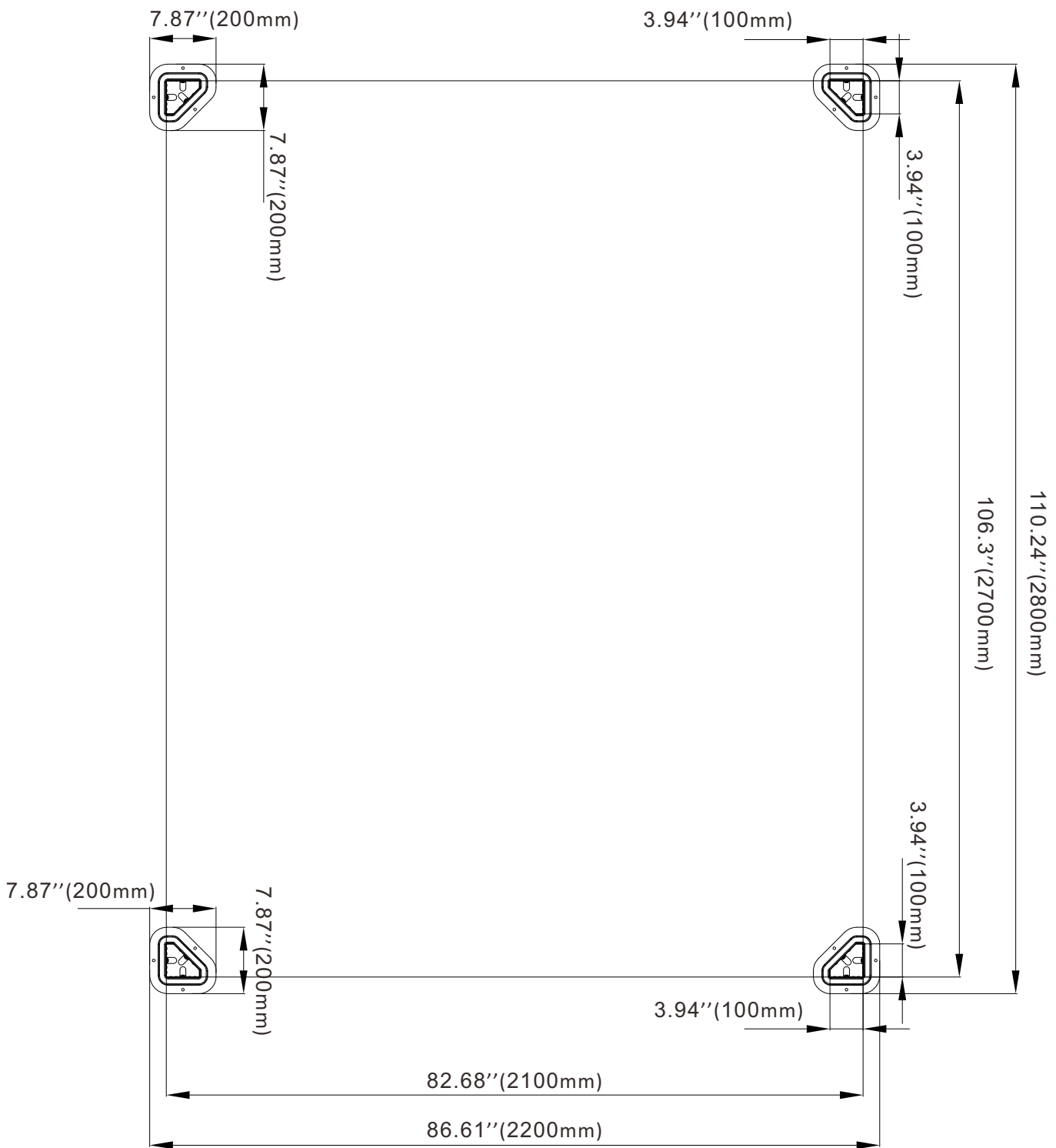
3

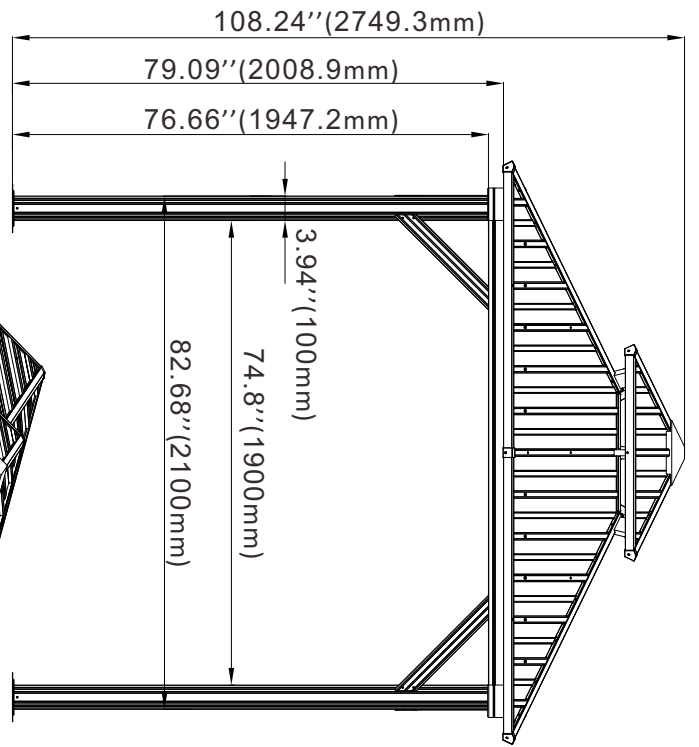
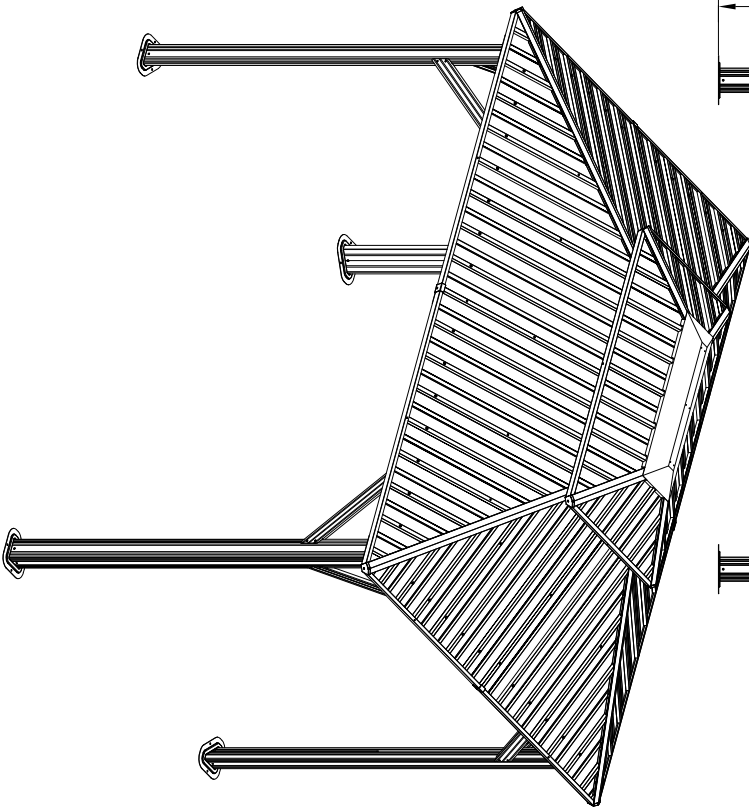
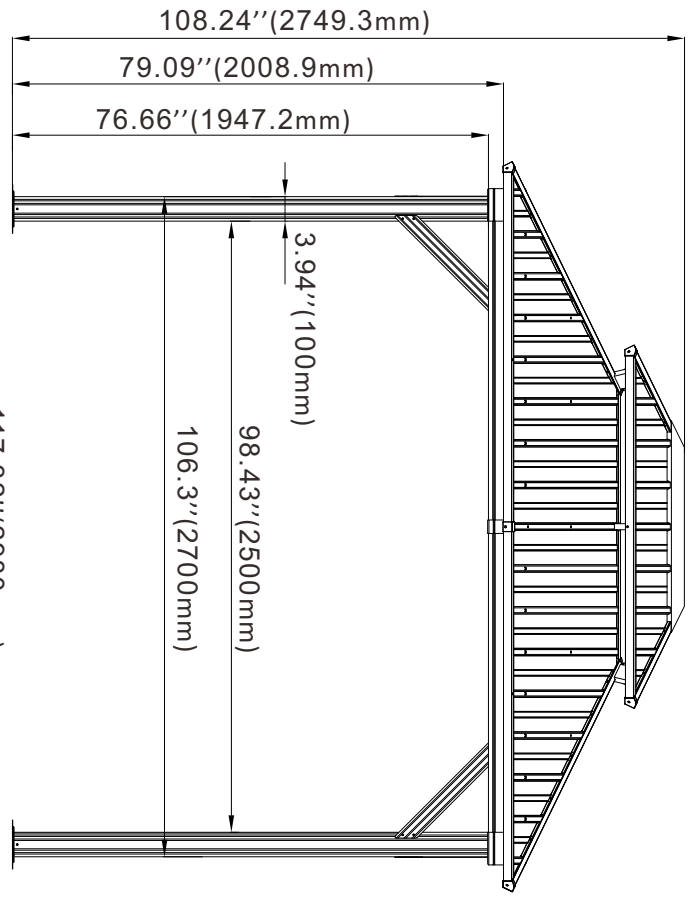
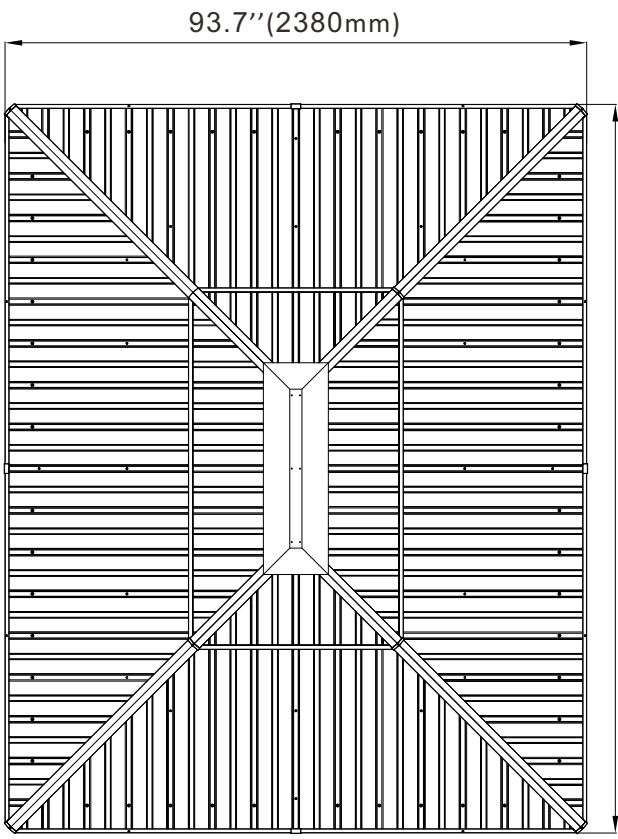


Or you can make a concrete footing for gazebo, **15×15×15 inches** is recommended. use expansion bolts to mount the pergola like ② shows.

IMPORTANT:
Anchor is not recommended





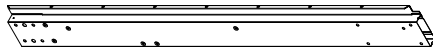




A 4x Pole



C 2x Beam



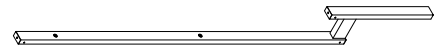
D 2x Beam



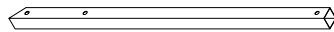
D1 2x Beam



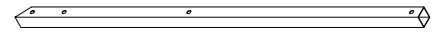
E 4x Corner Roof Tube



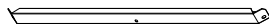
E2 4x Middle Roof Tube



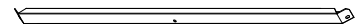
F 4x Solidifying Bar



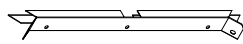
G 4x Solidifying Bar



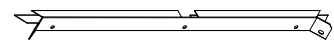
H 2x Finishing Bar



H1 2x Finishing Bar



J 2x Finishing Bar



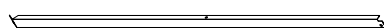
J1 2x Finishing Bar



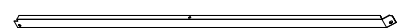
K 2x Finishing Bar



K1 2x Finishing Bar

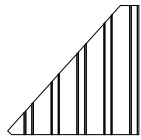


K2 2x Finishing Bar



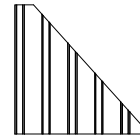
K3 2x Finishing Bar

L1 2x



Roof Panel

L2 2x



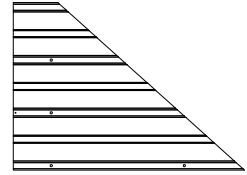
Roof Panel

M1 2x



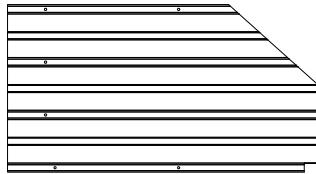
Roof Panel

M2 2x



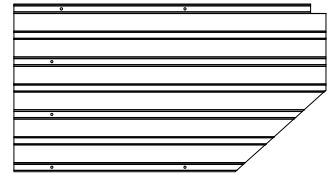
Roof Panel

M3 2x



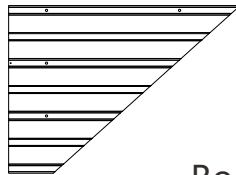
Roof Panel

M4 2x



Roof Panel

M5 2x



Roof Panel

M6 2x



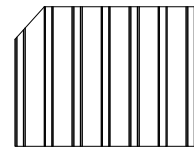
Roof Panel

N1 2x



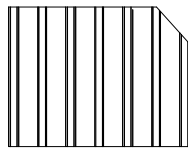
Roof Panel

N2 2x



Roof Panel

N3 2x



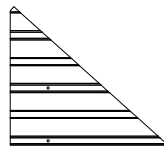
Roof Panel

N4 2x



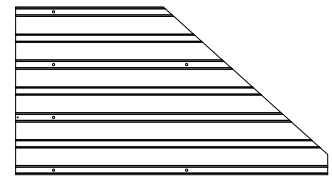
Roof Panel

P1 2x



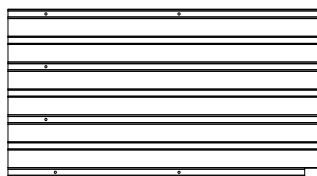
Roof Panel

P2 2x



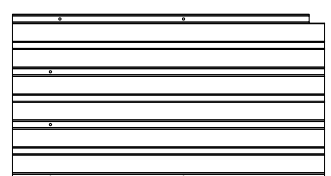
Roof Panel

P3 2x



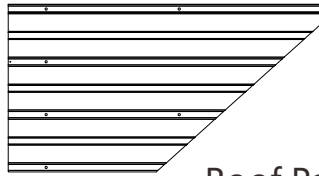
Roof Panel

P4 2x



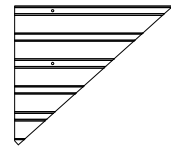
Roof Panel

P5 2x



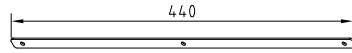
Roof Panel

P6 2x

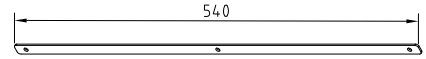


Roof Panel

Q 2x Plastic Bar



Q1 4x Plastic Bar



T 2x Track



T1 2x Track



T2 2x Track



T3 2x Track



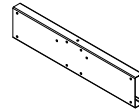
B 4x Base



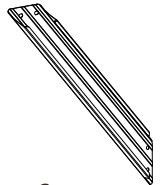
B1 8x Bracket



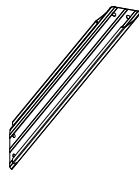
C2 2x Union Bar



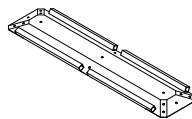
R 4x Corner Solidifying Bar



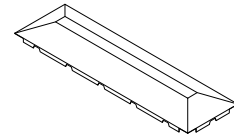
R1 4x Corner Solidifying Bar



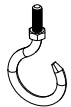
S 1x Inside Roof Cover



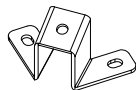
S1 1x Outside Roof Cover



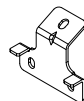
S2 3x Hook



U 4x Bracket



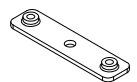
U1 4x Bracket



U2 4x Bracket



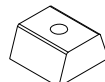
U3 4x Bracket



V 88x Plastic Hooks



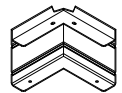
W 68x Rubber Spacer



X 2x Joint Cover



X1 4x Corner Cover

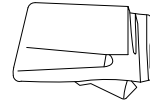




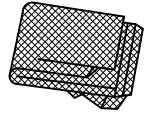
X2 4x Finishing End



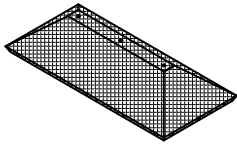
X3 12x Finishing End



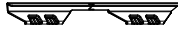
Y 4x Curtain



Y1 4x Netting



Y2 1x Small Mesh



Z 44x Plastic Clips



Z1 2x Plastic Clips



Z2 2x Plastic Clips



Z3 6x Plastic Clips



Z4 6x Plastic Clips



1 1x Wrench



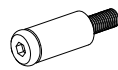
ST6.3x15

2 20x



ST5x16

3 24x



M6x35

4 32x



M6

5 72x



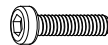
M6x10

7 8x



M6x16

8 188x



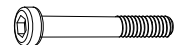
M6x25

9 8x



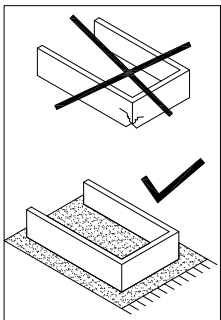
M6x28

10 48x

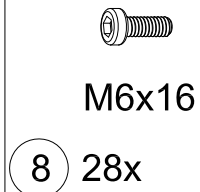
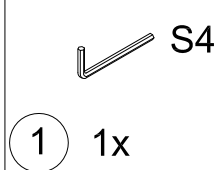
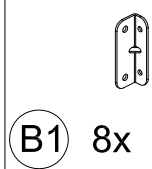
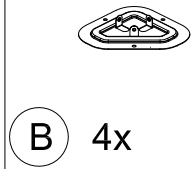
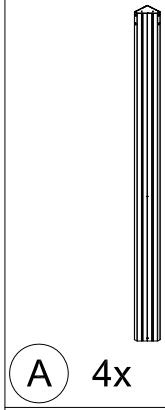


M6x50

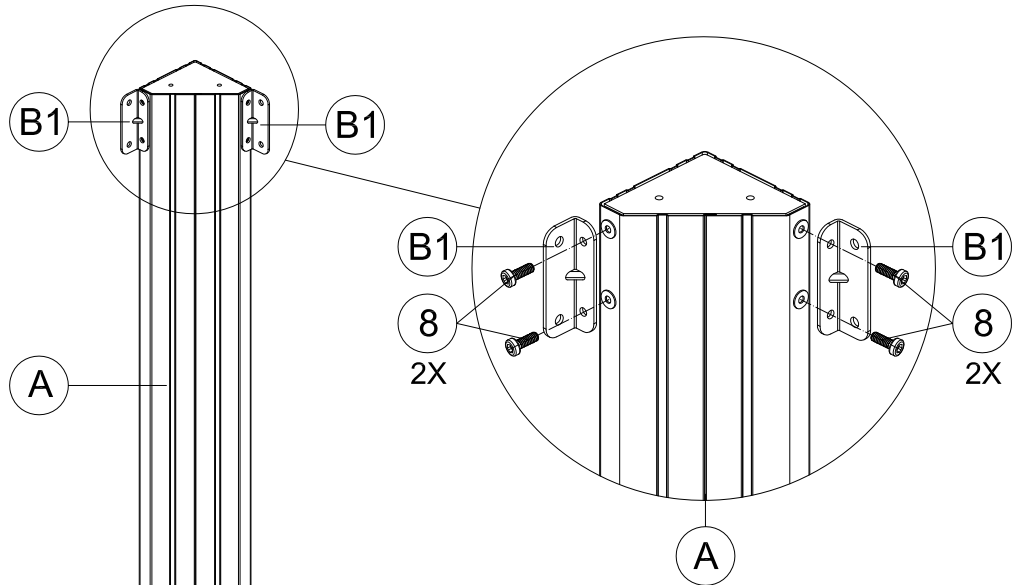
12 12x



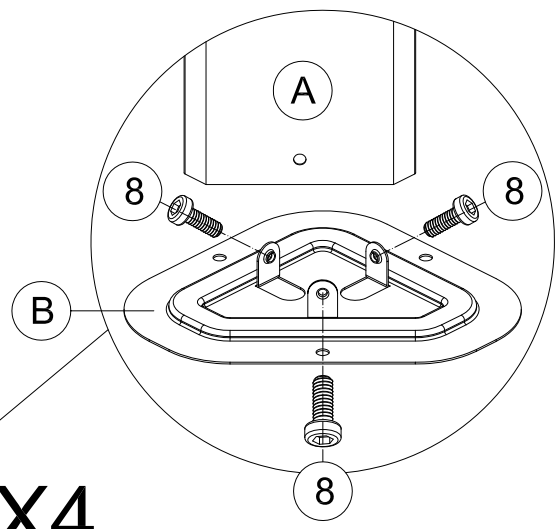
POST ASSEMBLY:



5



(1) Attach 2 Part #B1 to Part #A with 4 Bolts #8.

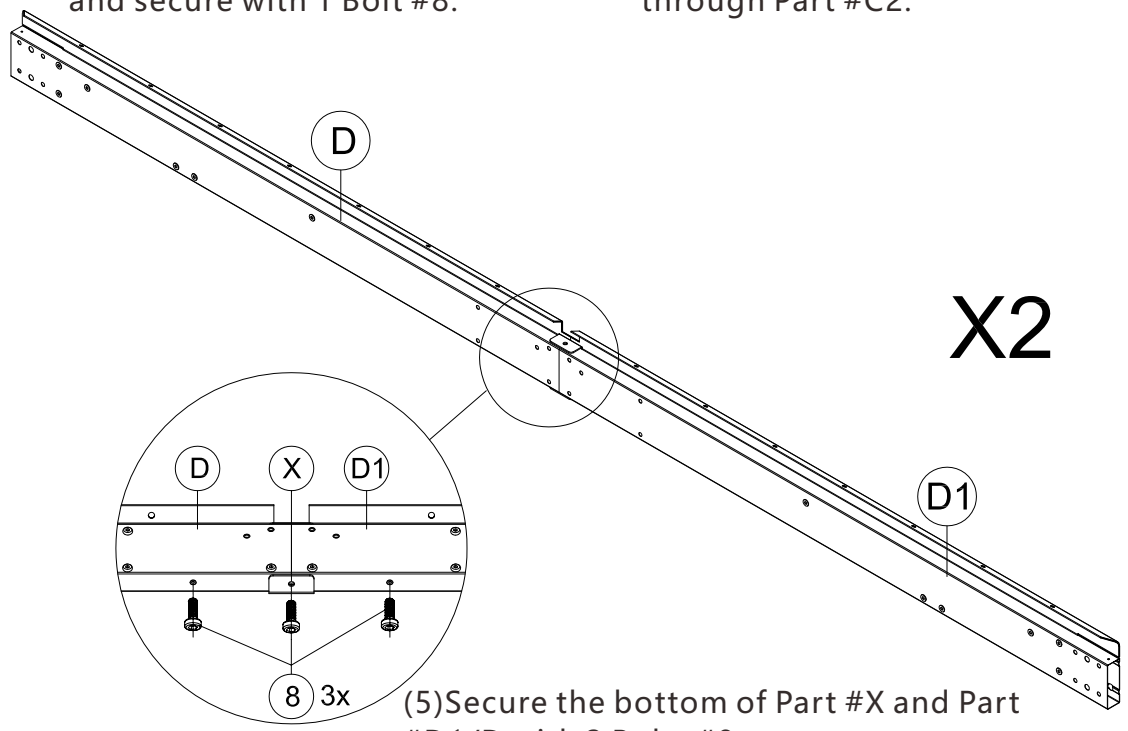
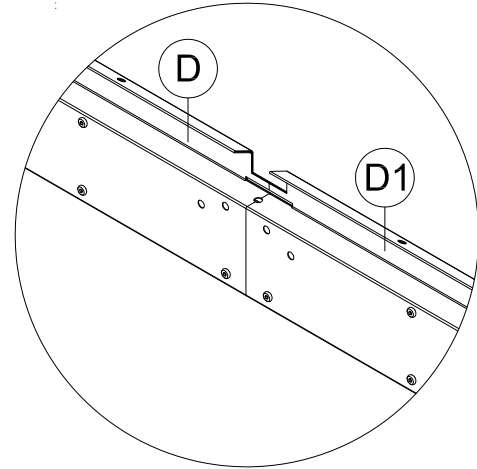
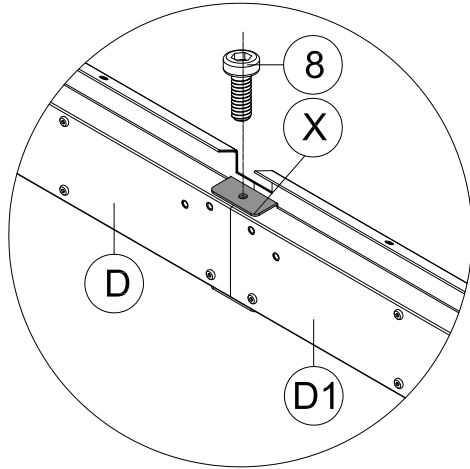
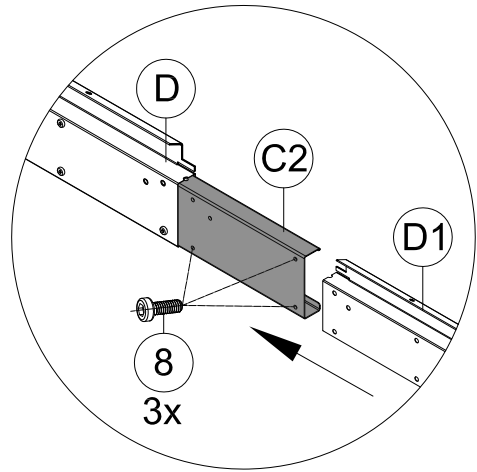
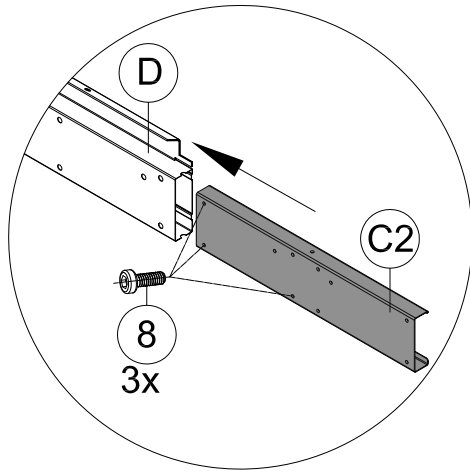
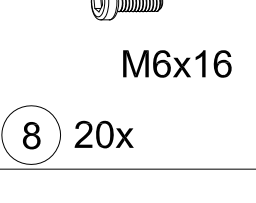
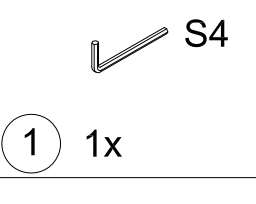
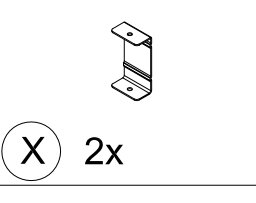
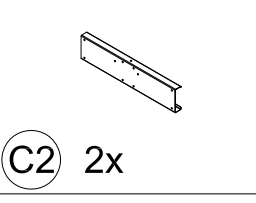
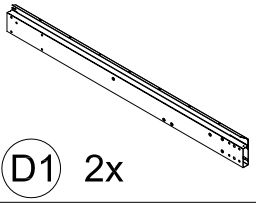
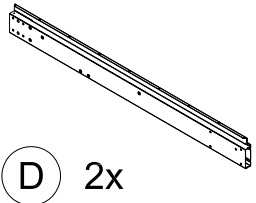


X4

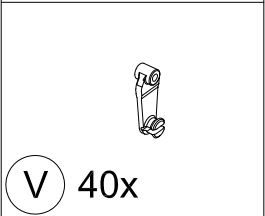
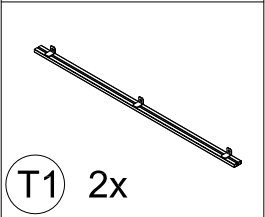
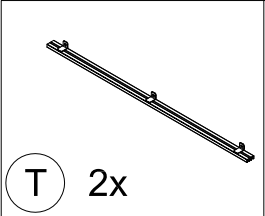
(2) Attach Part #B to Part #A with 3 Bolts #8.

(3) Repeat the above procedures to assemble the other 3 Part #A.

BEAM ASSEMBLY:

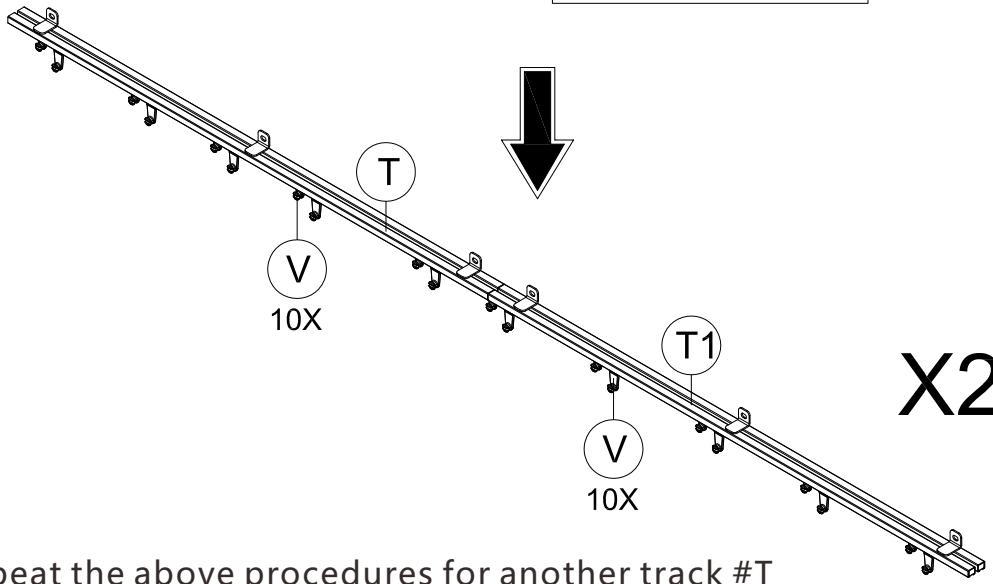
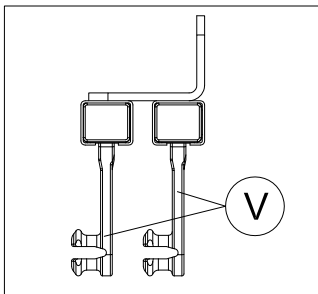
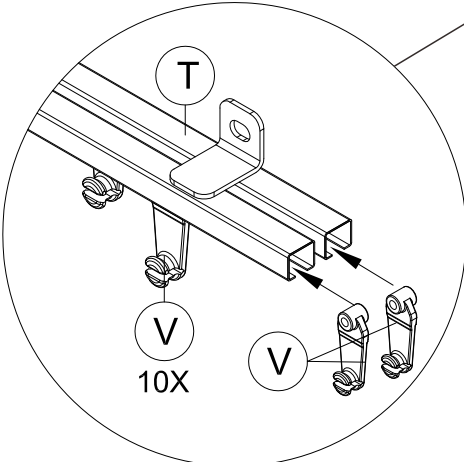
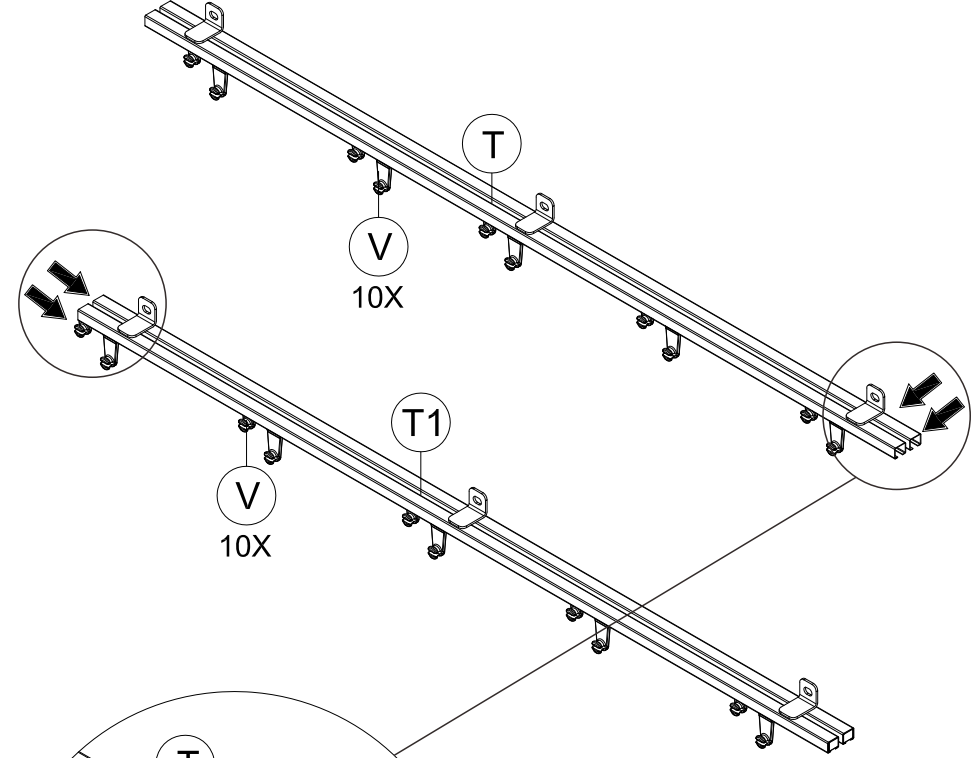


(6) Repeat the above procedures to assemble the other beams.

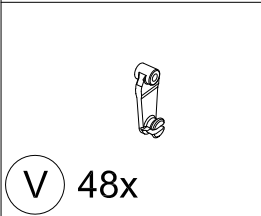
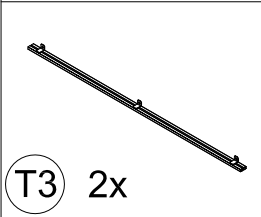
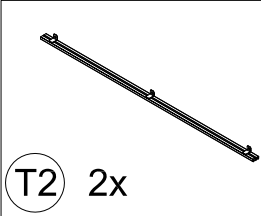


TRACK ASSEMBLY:

(1) Slide the plastic hooks to the double-rail track #T & T1 (each slot should slide 5 plastic hooks).

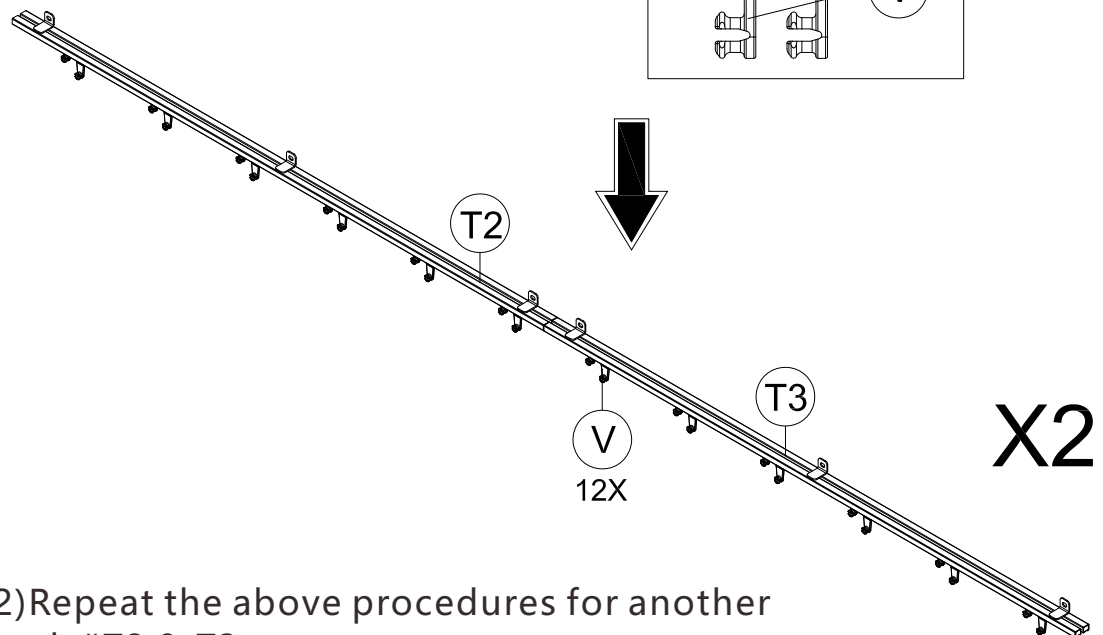
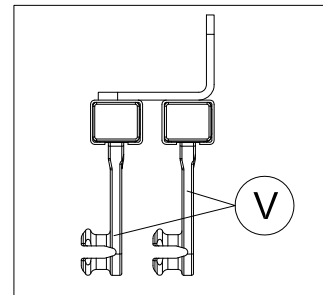
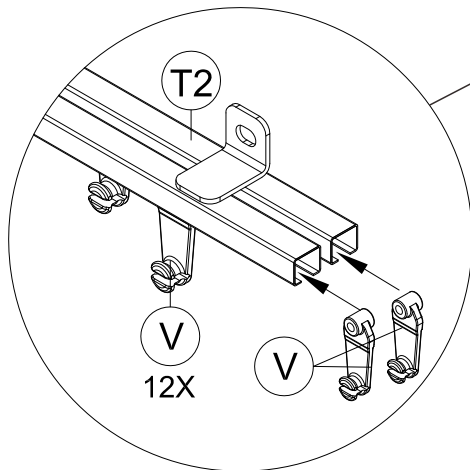
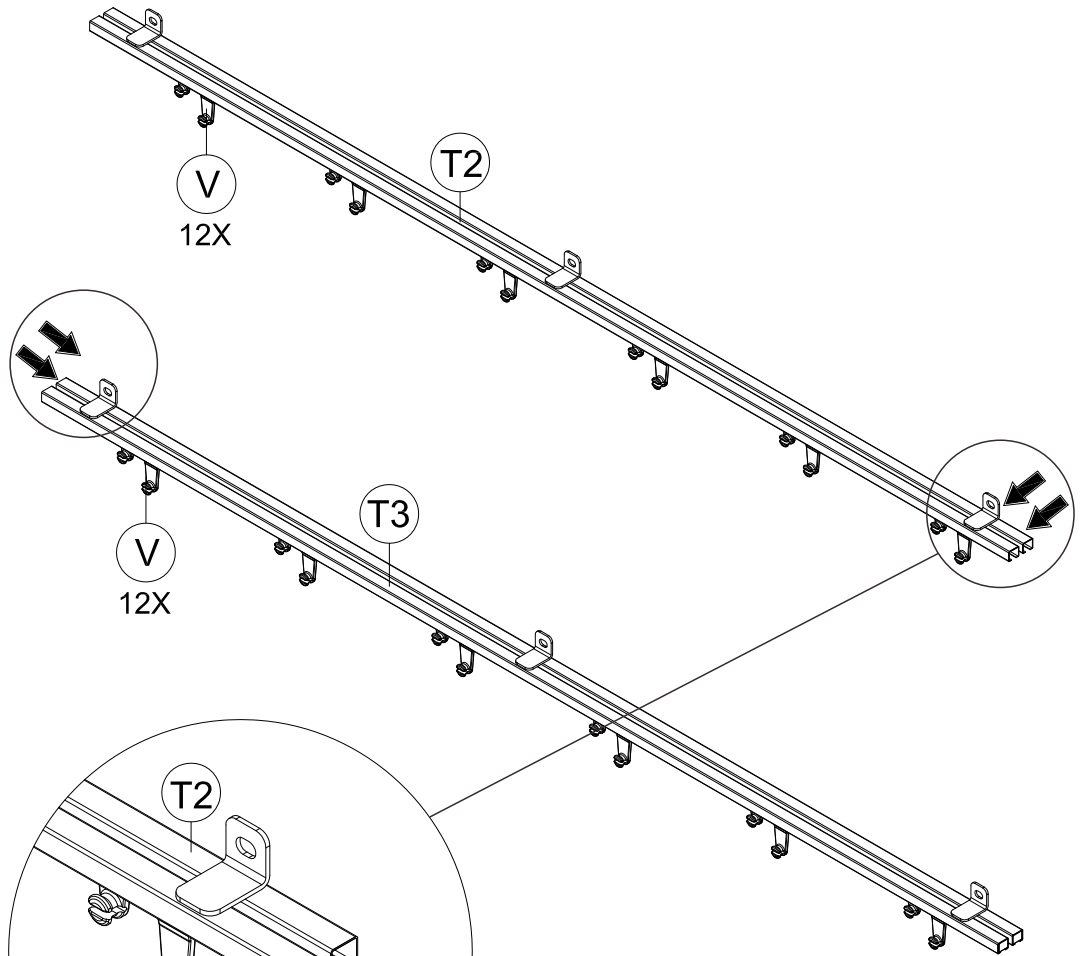


(2) Repeat the above procedures for another track #T & T1.

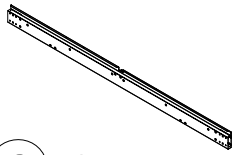


TRACK ASSEMBLY:

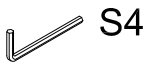
(1) Slide the plastic hooks to the double-rail track #T2 & T3 (each slot should slide 6 plastic hooks).



(2) Repeat the above procedures for another track #T2 & T3.



C 2x

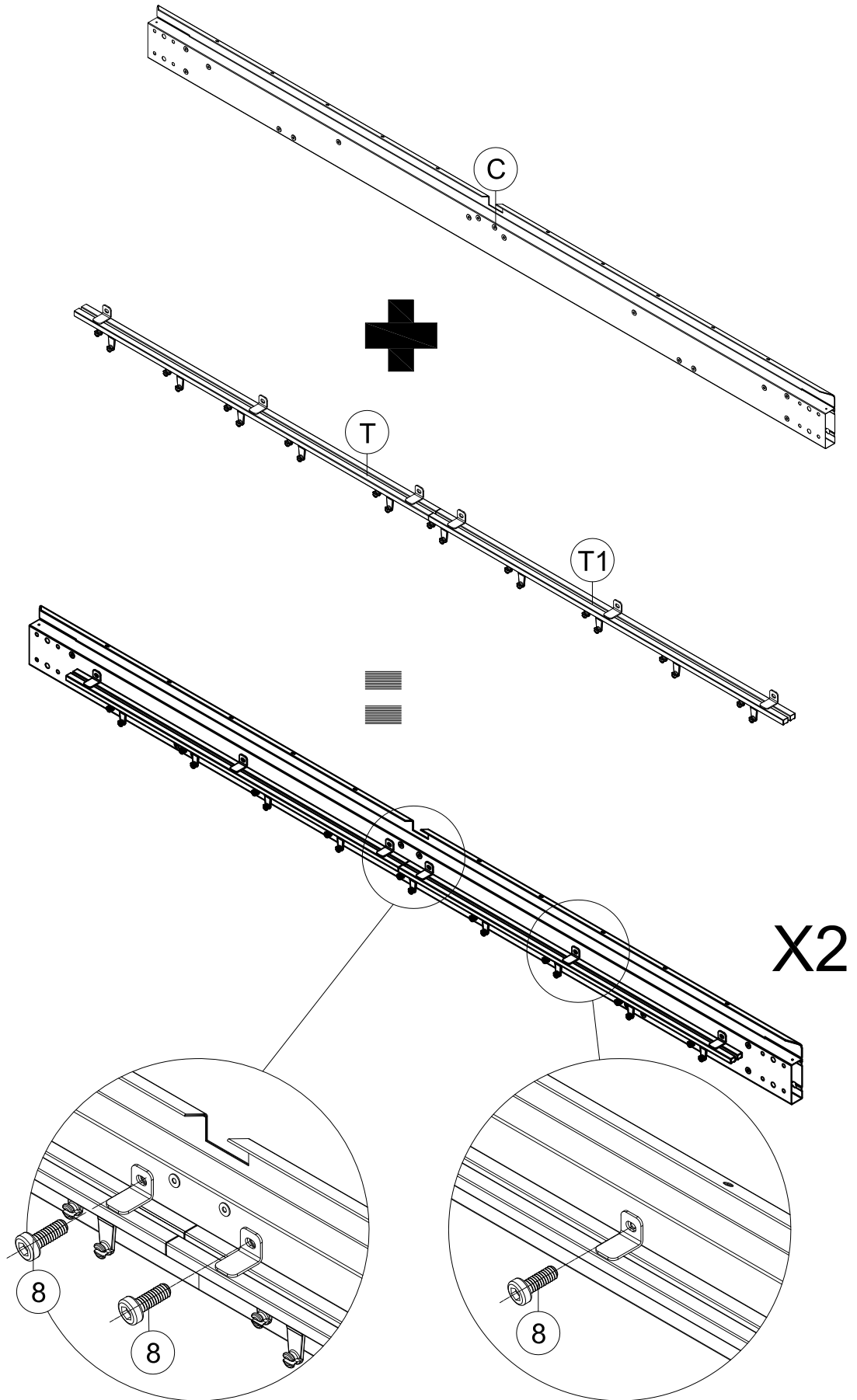


1 1x



8 12x

(1) Use 6 Bolts #8 to fix the track T & T1 to the beam C.



9

(2) Repeat the above procedures for another beam.

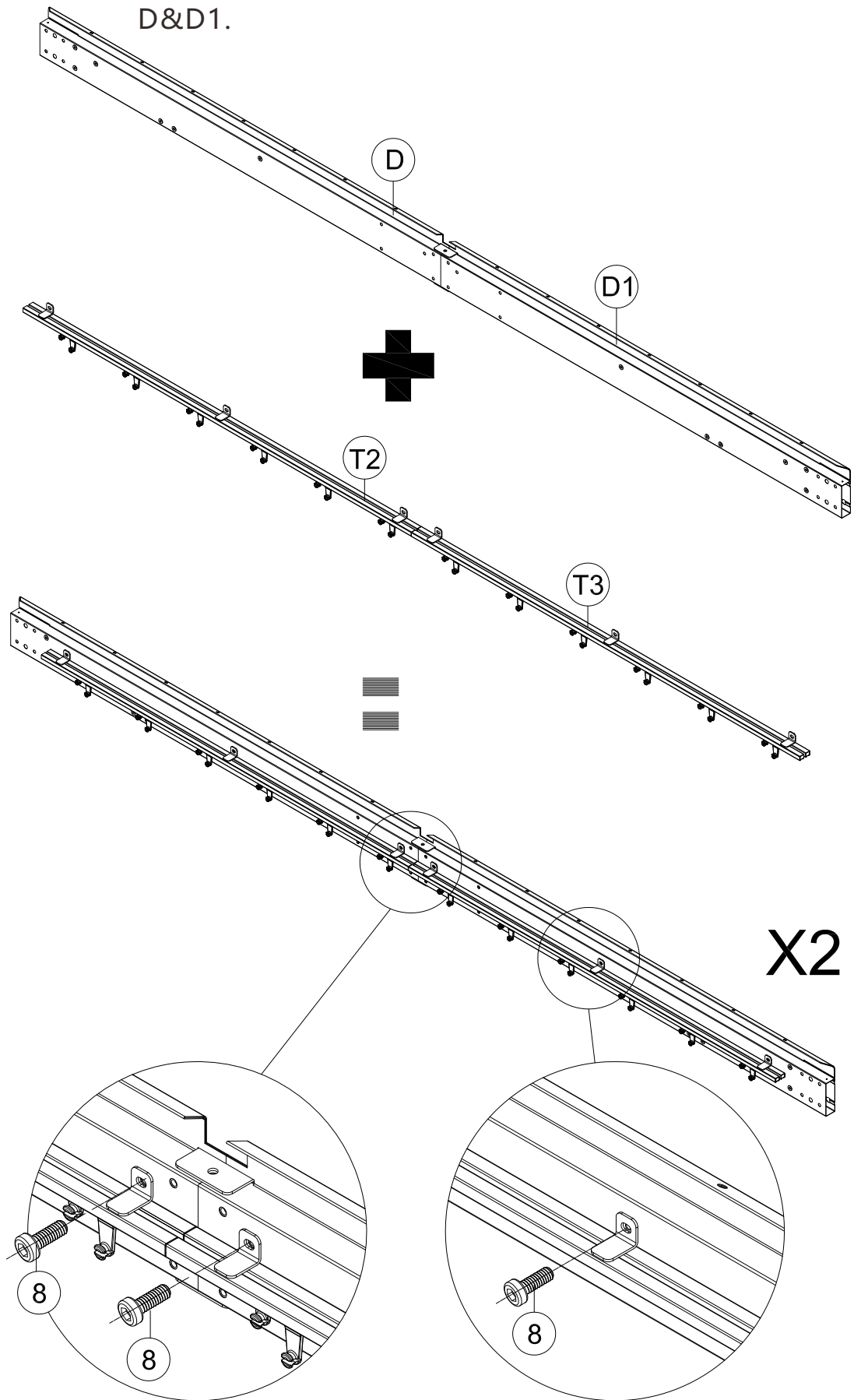
✓ S4

1 1x

M6x16

8 12x

(1) Use 6 Bolts #8 to fix the track T2 & T3 to the beam D&D1.



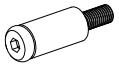
10

(2) Repeat the above procedures for another beam.



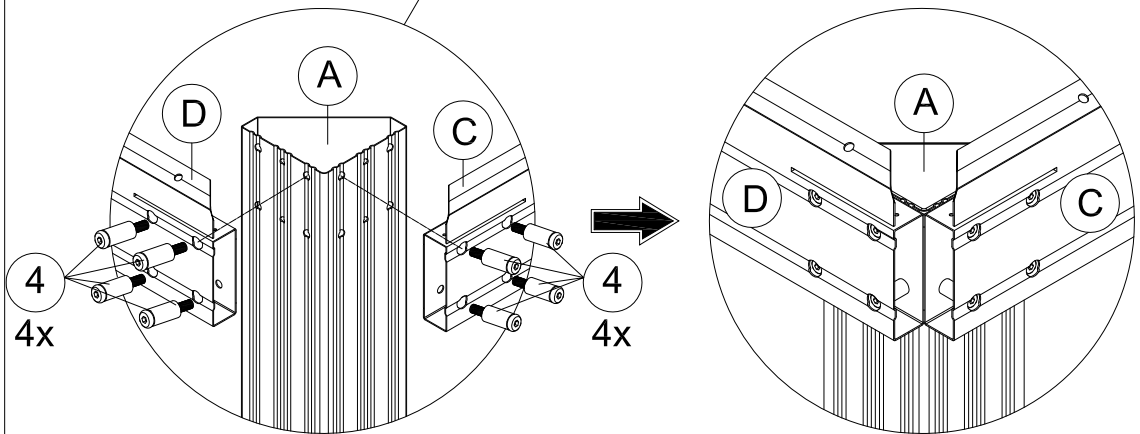
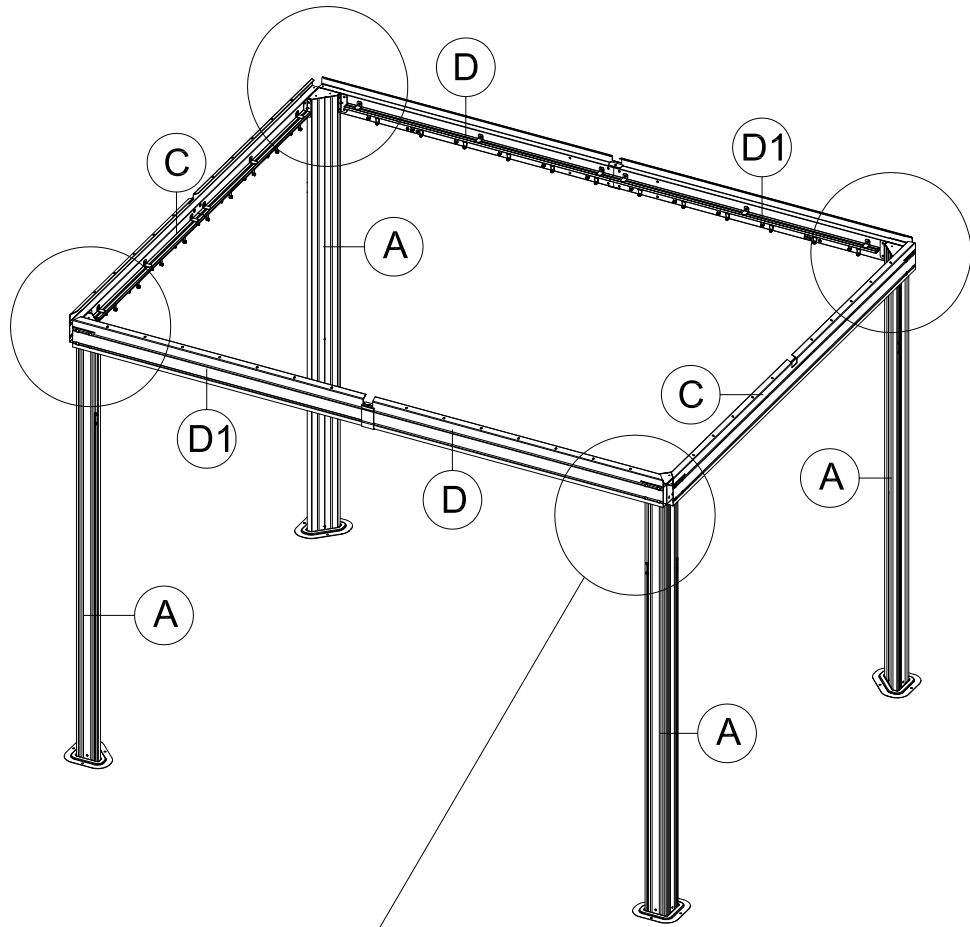
S4

1 1x



M6x35

4 32x



(1) Connect Beam #C & D to Pole #A with 8 Bolts #4. (From Outside).

(2) Repeat the above procedures to assemble the other 3 corners.

Please don't tighten all bolts.

✓ S4

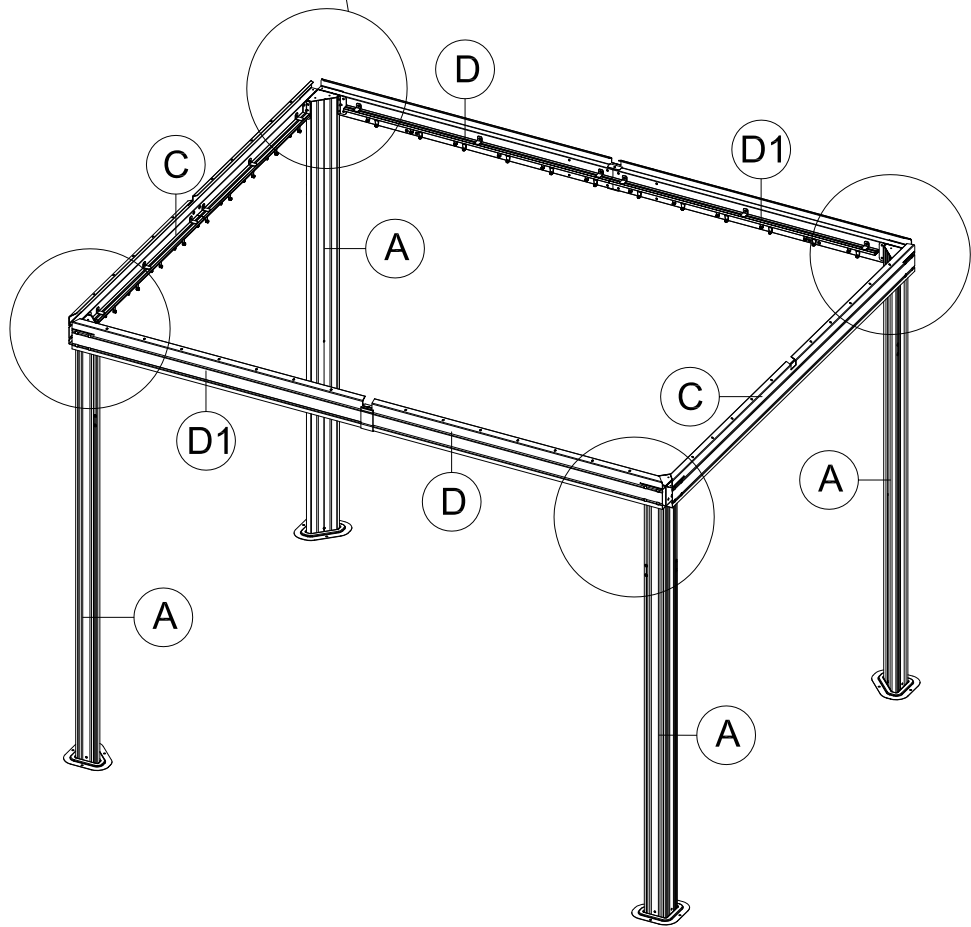
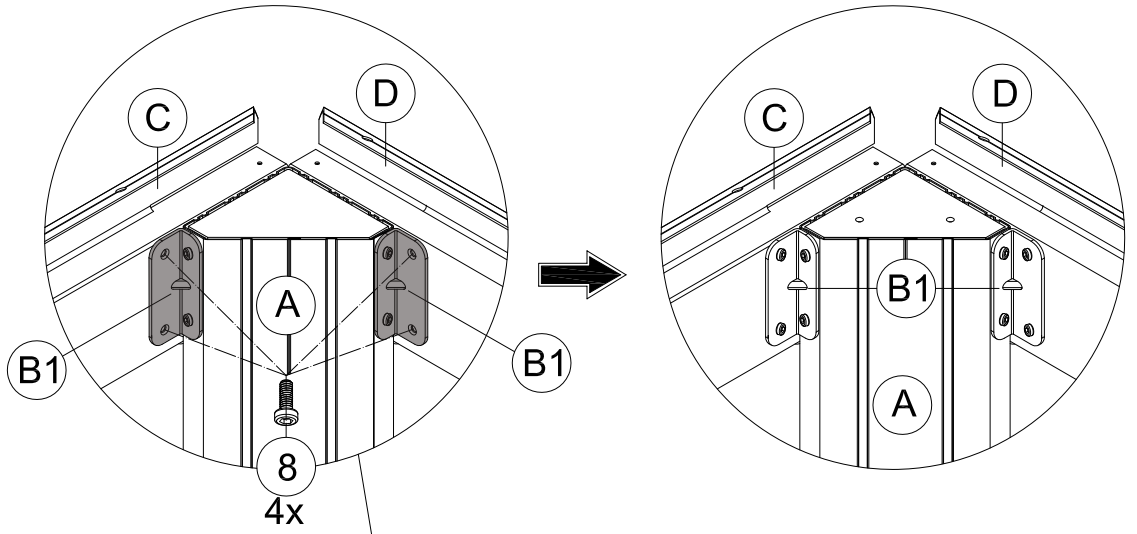
1 1x



M6x16

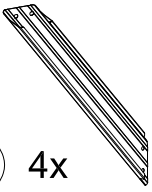
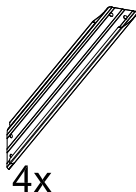


8 16x

(1) Connect Beam #C & D to Pole #A with 4 Bolts #8 (From Inside).

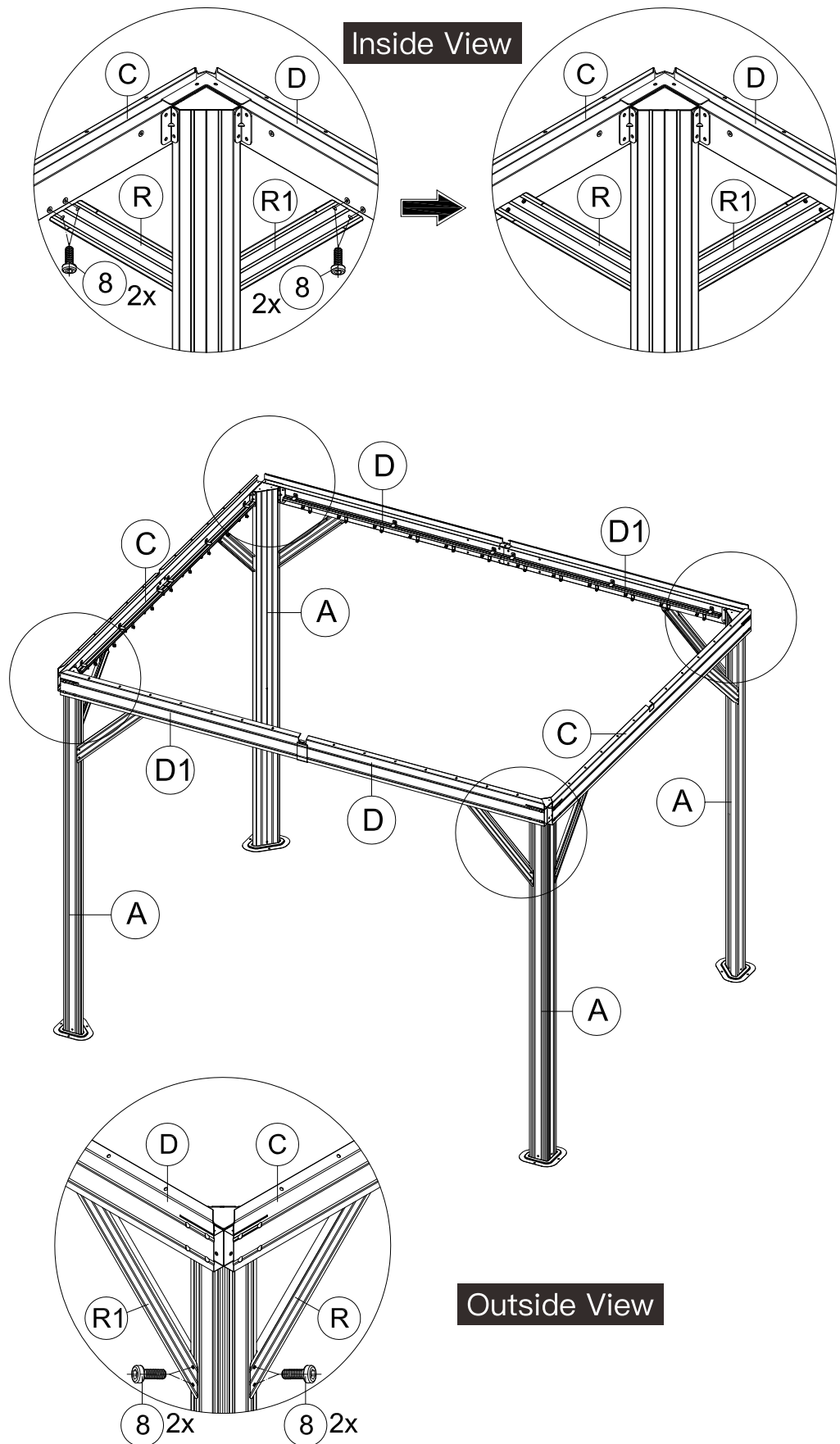


(2) Repeat the above procedures to assemble the other 3 corners.

⚠ Please don't tighten all bolts.

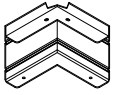
-  **R** 4x
-  **R1** 4x
-  **S4**
- 1** 1x
-  **M6x16**
- 8** 32x

(1) Affix Part #R and Part #R1 to the frame with 8 Bolts #8.



(2) Repeat the above procedures for the other 3 corners.

 Tighten all the bolts.

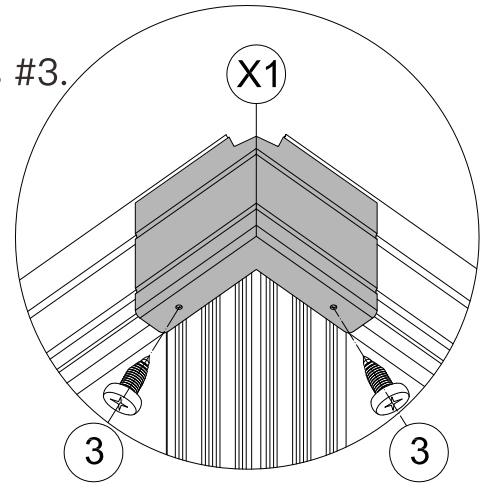
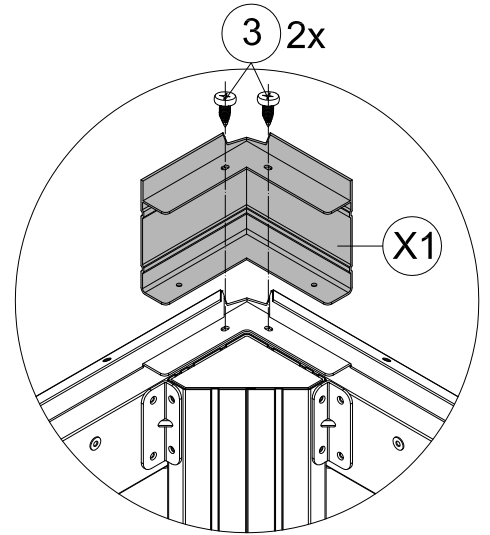
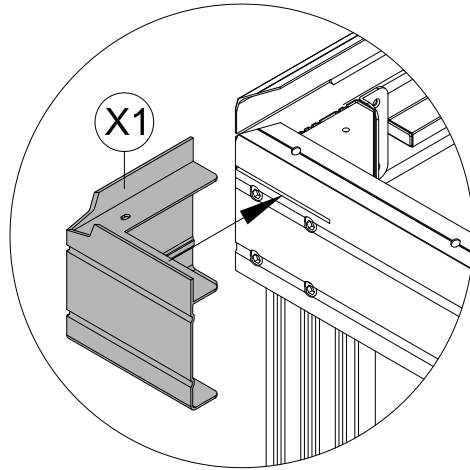


X1 4x

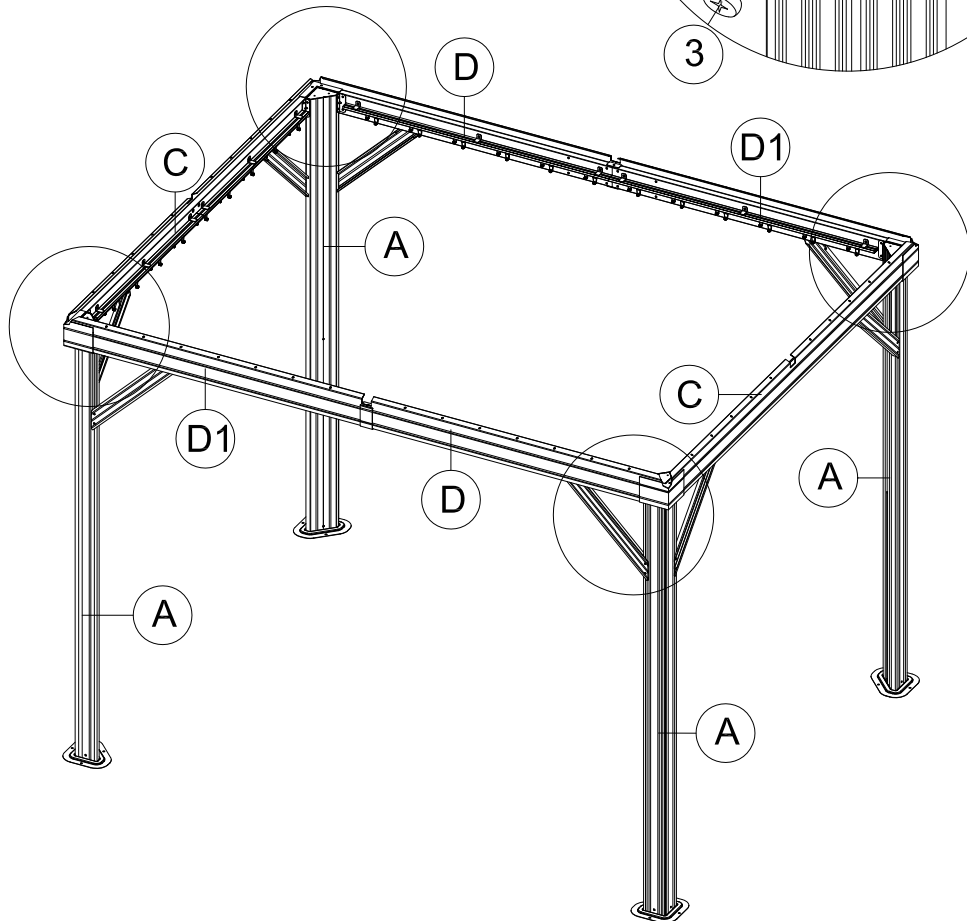


ST5x16

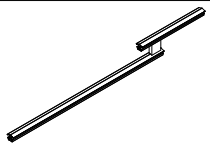
3 16x



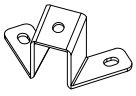
- (1) Cover the corner with Part #X1.
- (2) Secure with 2 Self-tapping Screws #3.
(from top to bottom)
- (3) Secure with 2 Self-tapping Screws #3.
(from bottom to top)



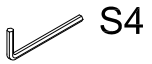
(4) Repeat the above procedures for the other 3 corners.



E 4x



U 4x



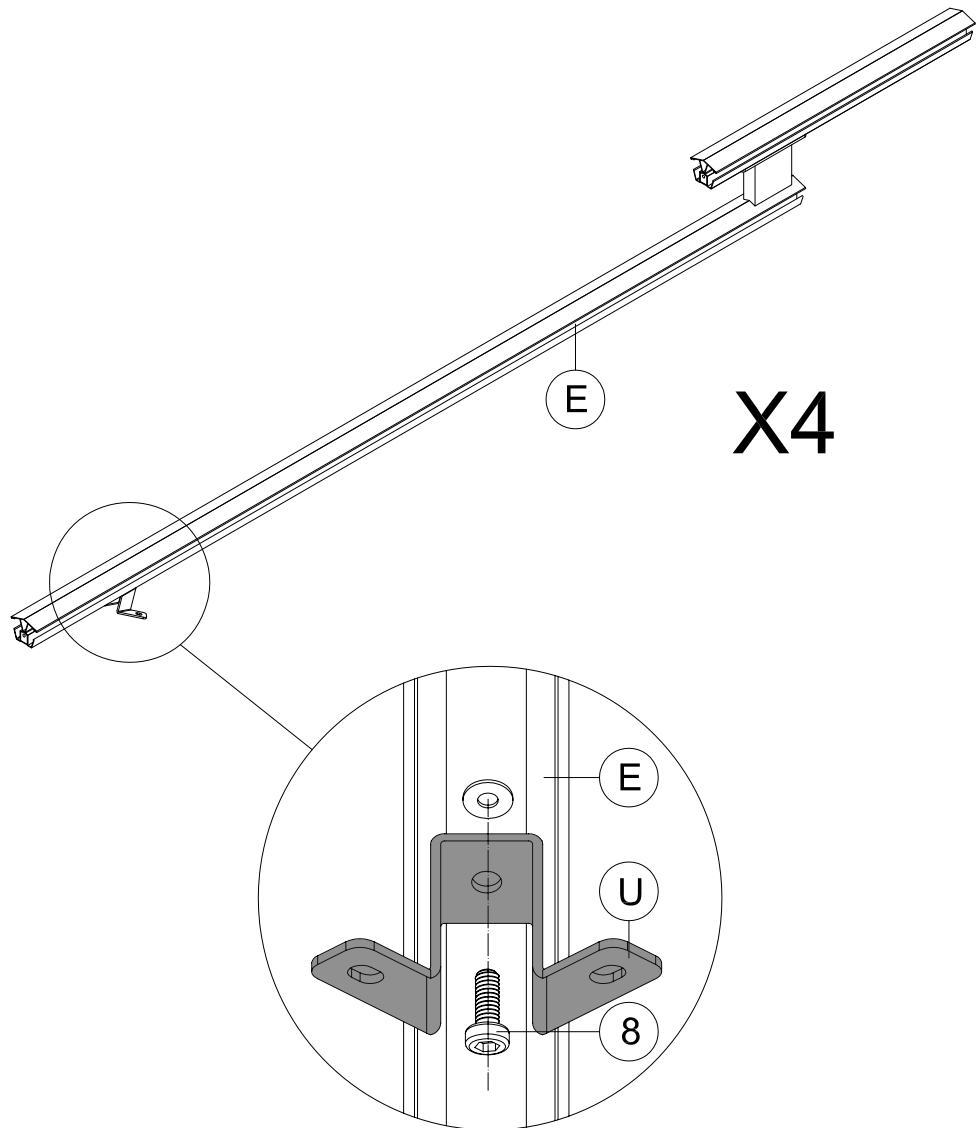
1 1x



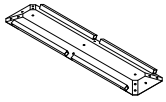
M6x16

8 4x

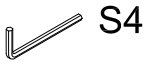
(1) Attach Part #U to Part #E with Bolt #8.



(2) Repeat the above procedures for the other 3 corner roof bars.



S 1x



1 1x



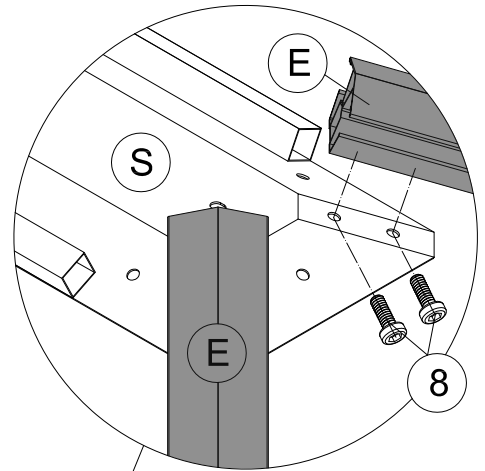
M6x16

8 16x

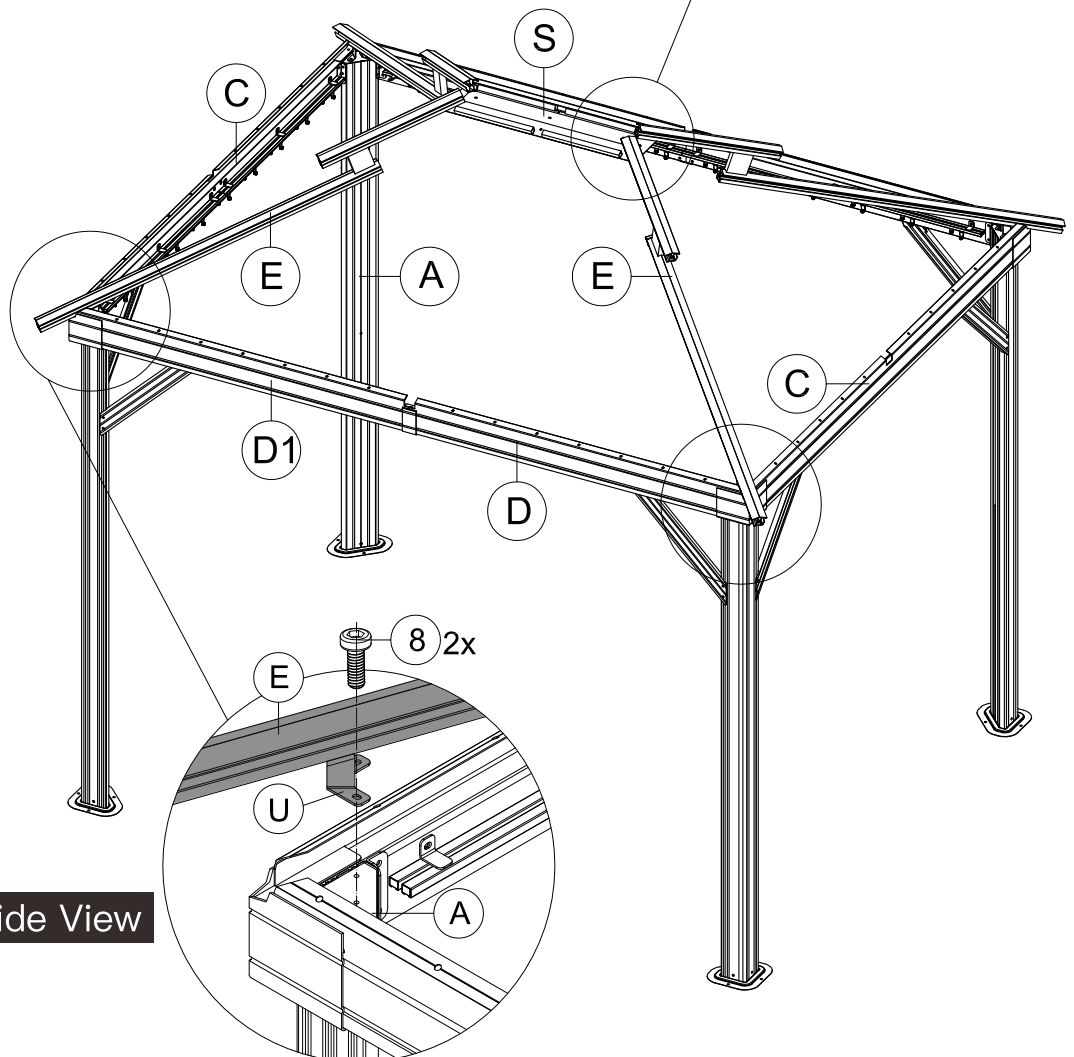
Please have a freestanding ladder ready at the center of the gazebo

(1) Place 4 Part #E on the 4 corners of Part #S. Secure with 8 Bolts #8 (from bottom to top).

ATTENTION: You can also finish this step on the ground and then lift 4 corner roof bars and inside roof connector to the top together. (Need 2 people and 2 ladders)

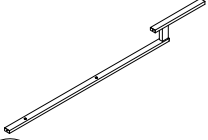
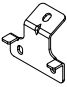

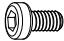


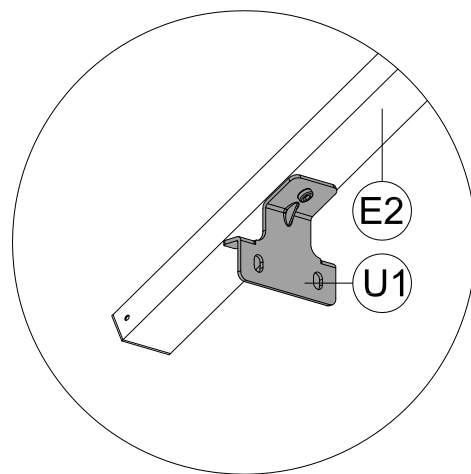
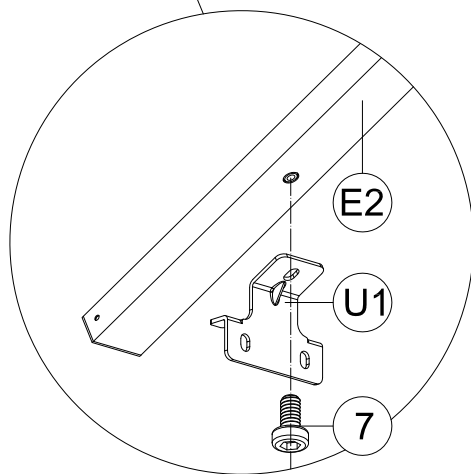
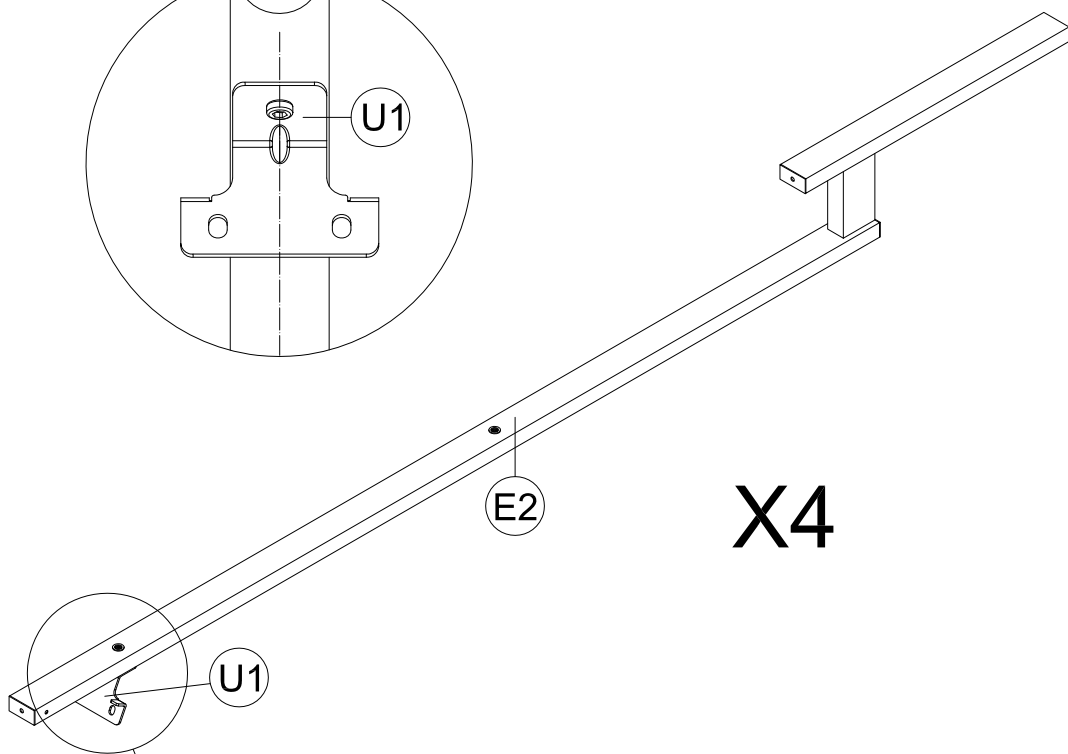
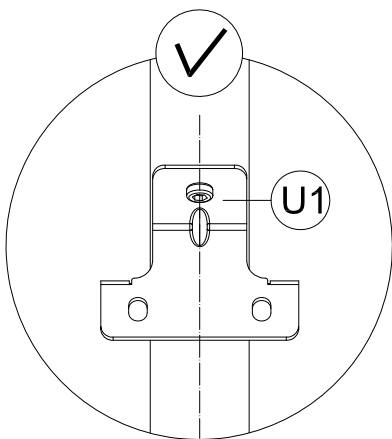
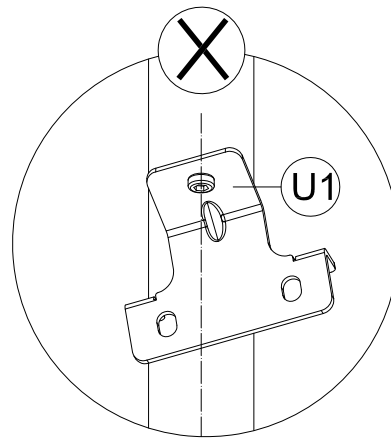
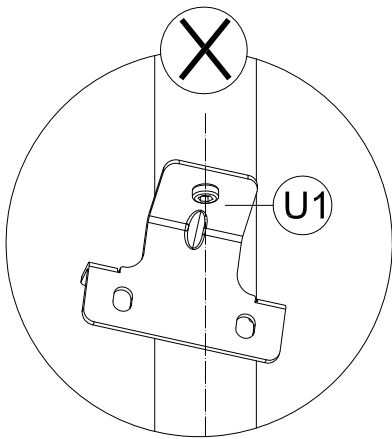
Outside View



Outside View

(2) Place 4 Part #E on 4 Part #A; Secure with 8 Bolts #8.

-  **E2** 4x
-  **U1** 4x
-  **S4**
- 1** 1x
-  **M6x10**
- 7** 4x



(1) Attach Part #U1 to Part #E2 with Bolt #7.
 (2) Repeat the above procedures for the other 3 roof bars.



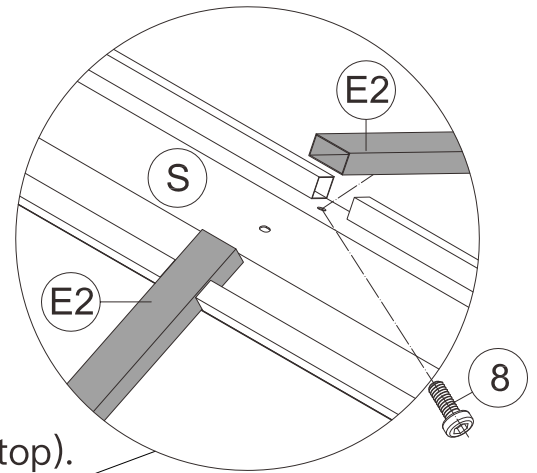
S4

1 1x



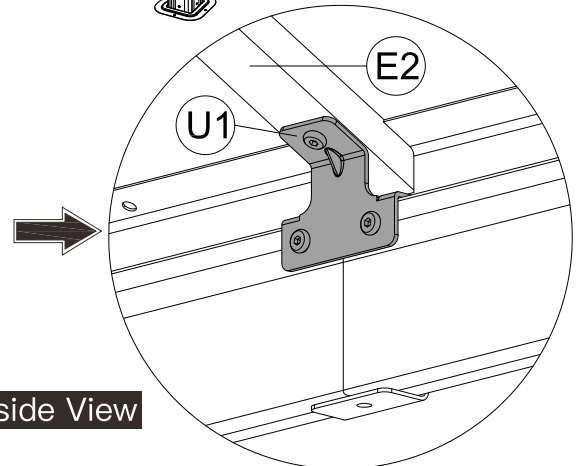
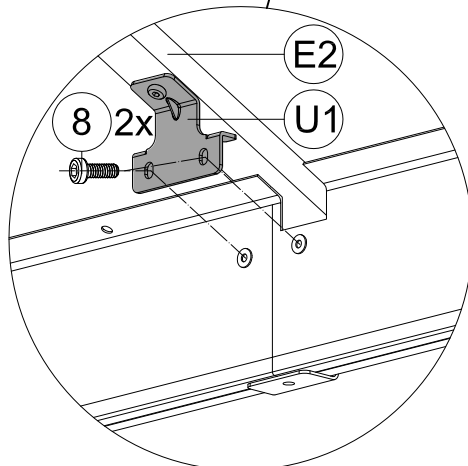
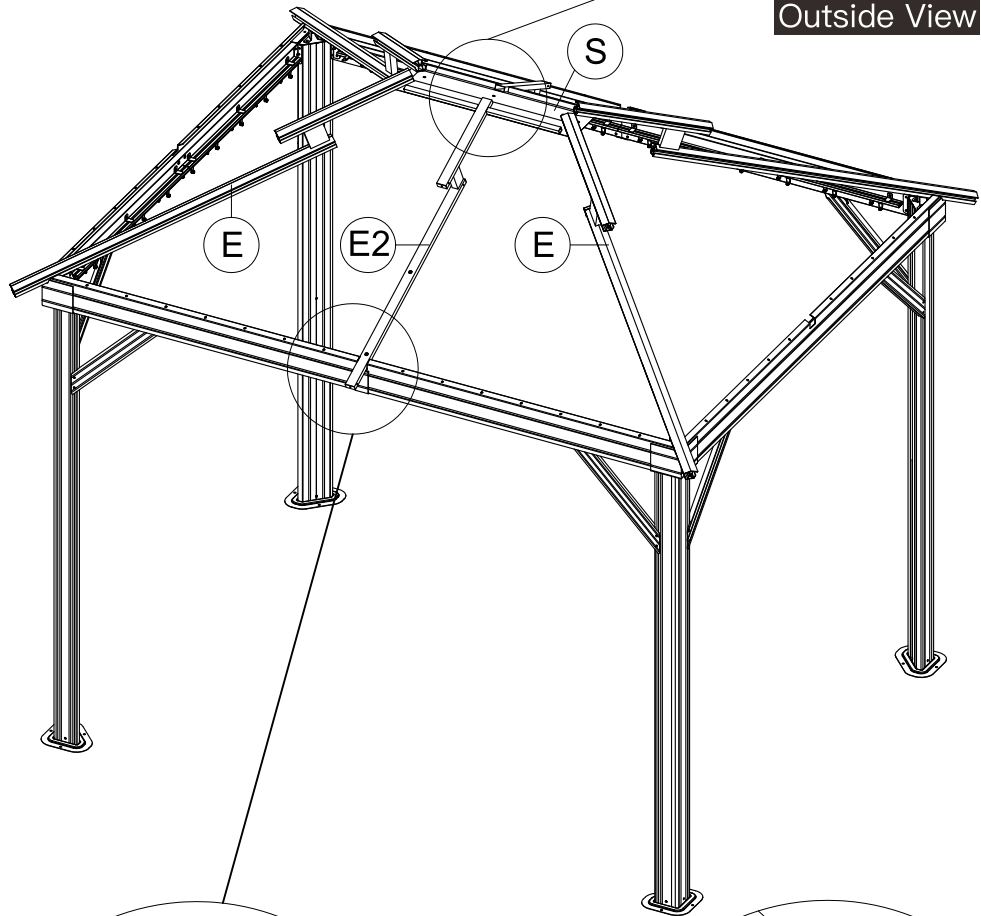
M6x16

8 6x



(1) Place Part #E2 on Part #S.
Secure with Bolt #8 (from bottom to top).

Outside View



Inside View

(2) Connect Part #E2 and the Assembled Beam(D&D1) with part #U1.
Secure with 2 Bolts #8.

(3) Repeat the above procedures to assemble the opposite side.

✓ S4

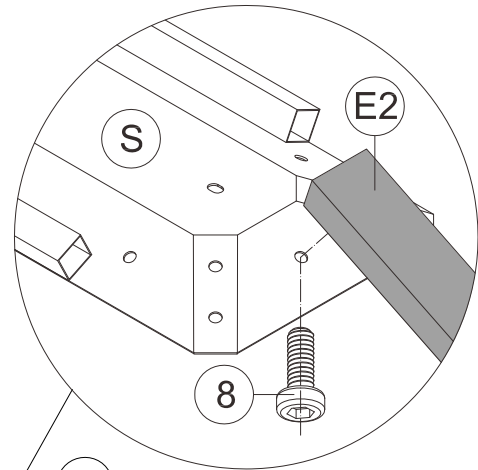
1 1x



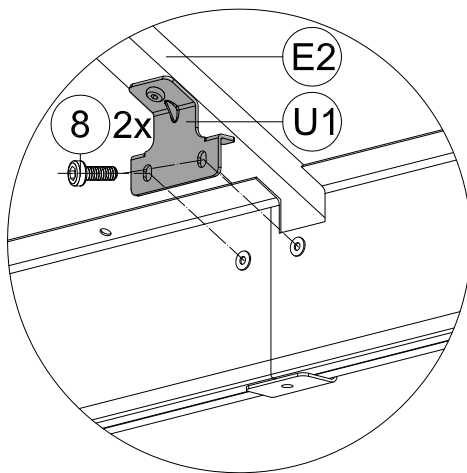
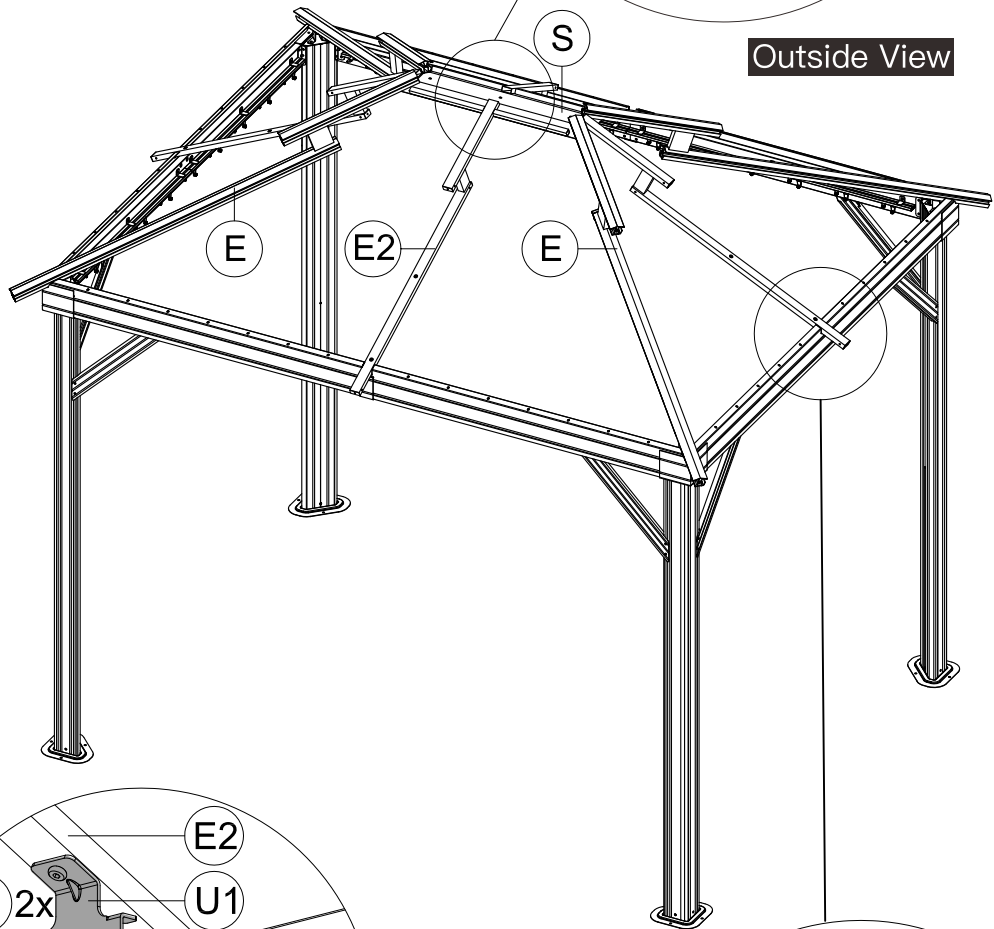
M6x16

8 6x

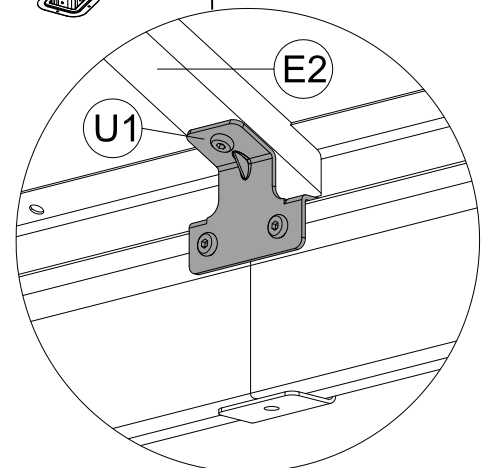
(1) Place Part #E2 on part #S. Secure with Bolt #8 (from bottom to top)



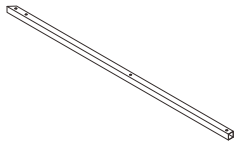
Outside View



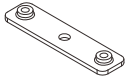
Inside View



(2) Connect Part #E2 and Beam C with part #U1. Secure with 2 Bolts #8.
(3) Repeat the above procedures for the opposite side.



G 4x



U3 2x



1 1x



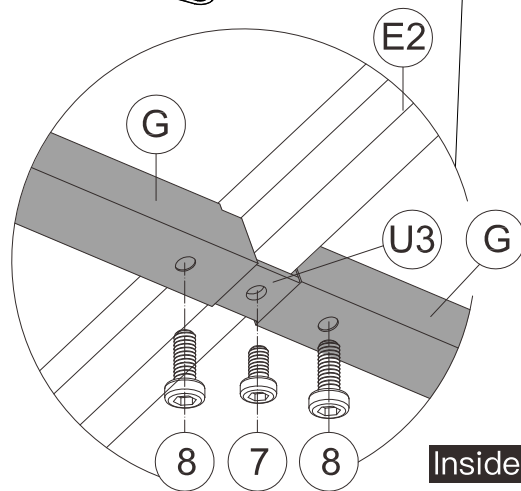
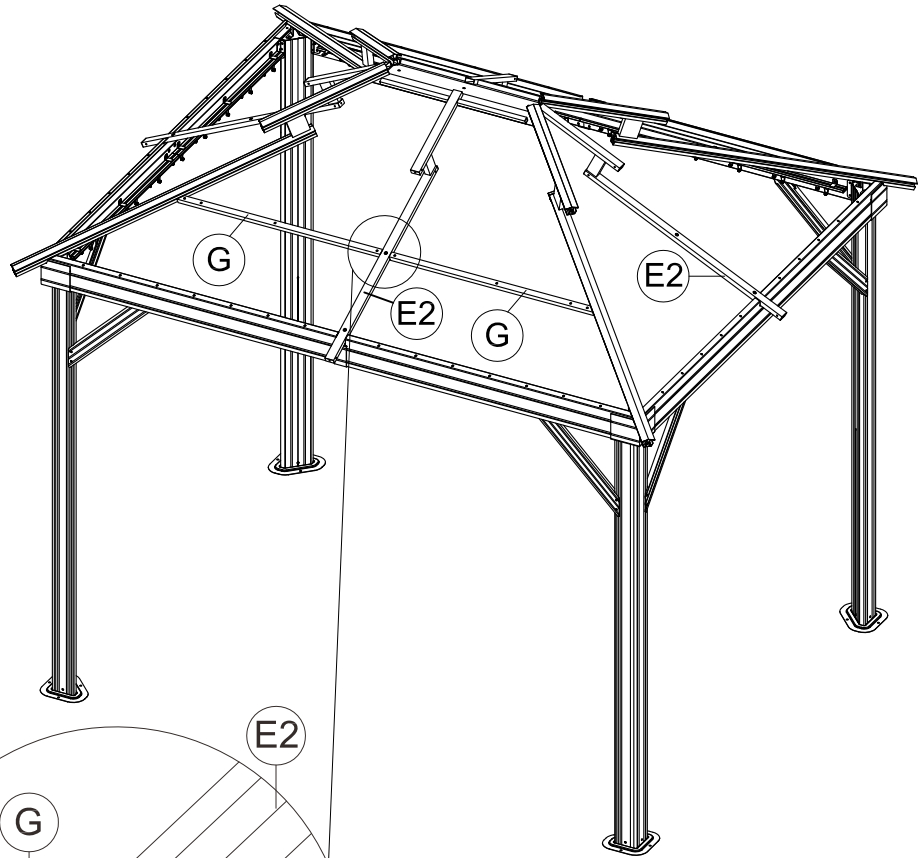
M6x10

7 2x



M6x16

8 4x

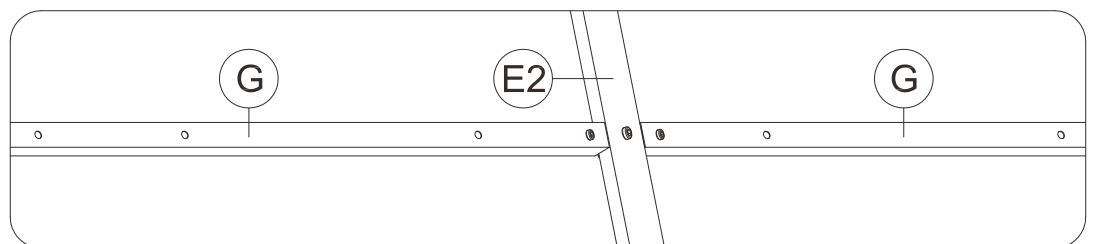


Inside View

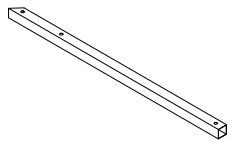
(1) Insert Part #U3 into Part #G.

(2) Attach Part #G to the Part #E2 with 1 Bolt #7 and 2 Bolts #8.

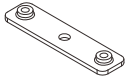
(3) Repeat the above procedures to assemble the opposite side.



Outside View



F 4x



U3 2x



1 1x



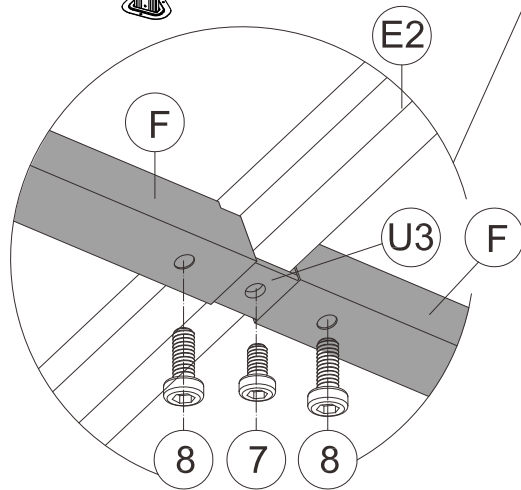
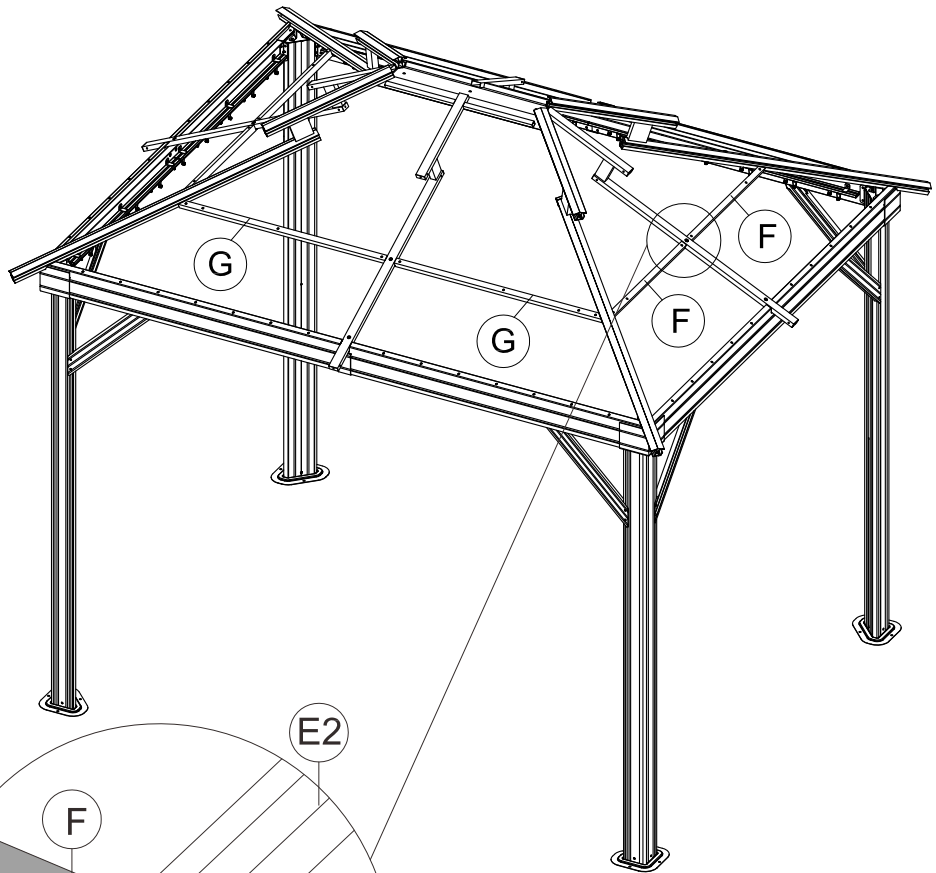
M6x10

7 2x



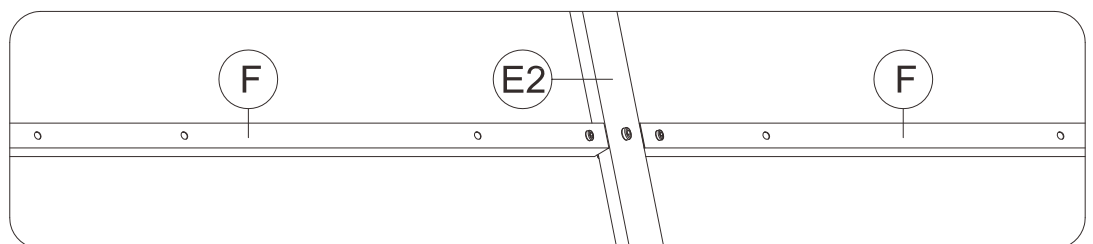
M6x16

8 4x



Inside View

- (1) Insert Part #U3 into 2 Part #F.
- (2) Attach 2 Part #F to Part #E2 with 1 Bolt #7 and 2 Bolts #8.
- (3) Repeat the above procedures to assemble the opposite side.



Outside View



U2 4x

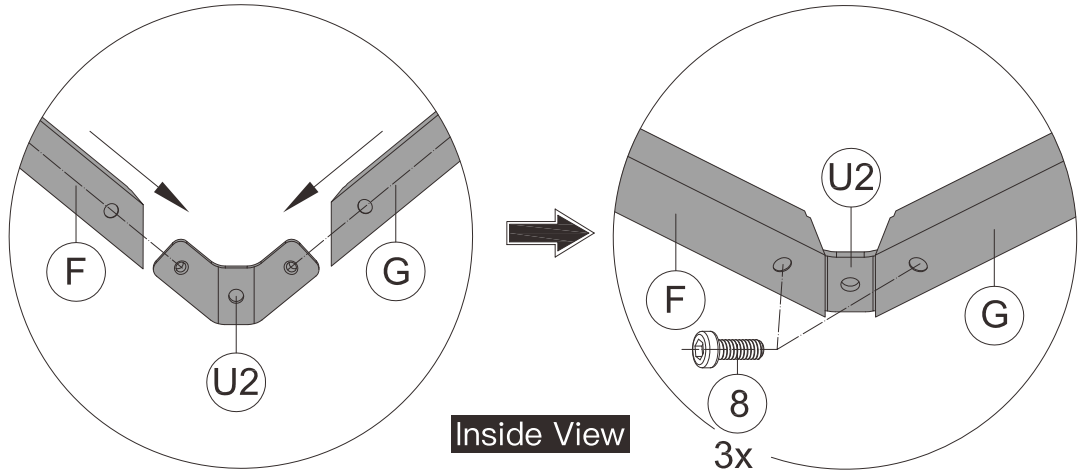


1 1x

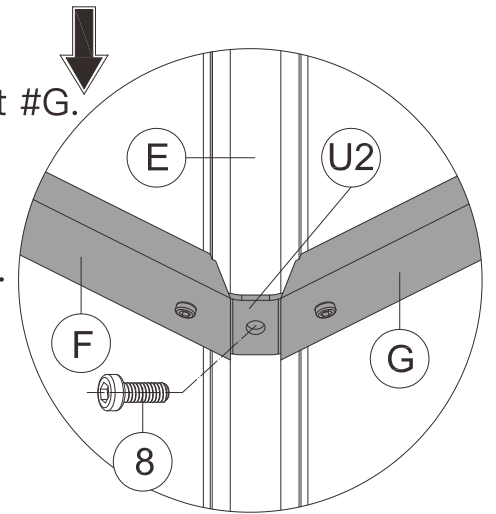


M6x16

8 12x



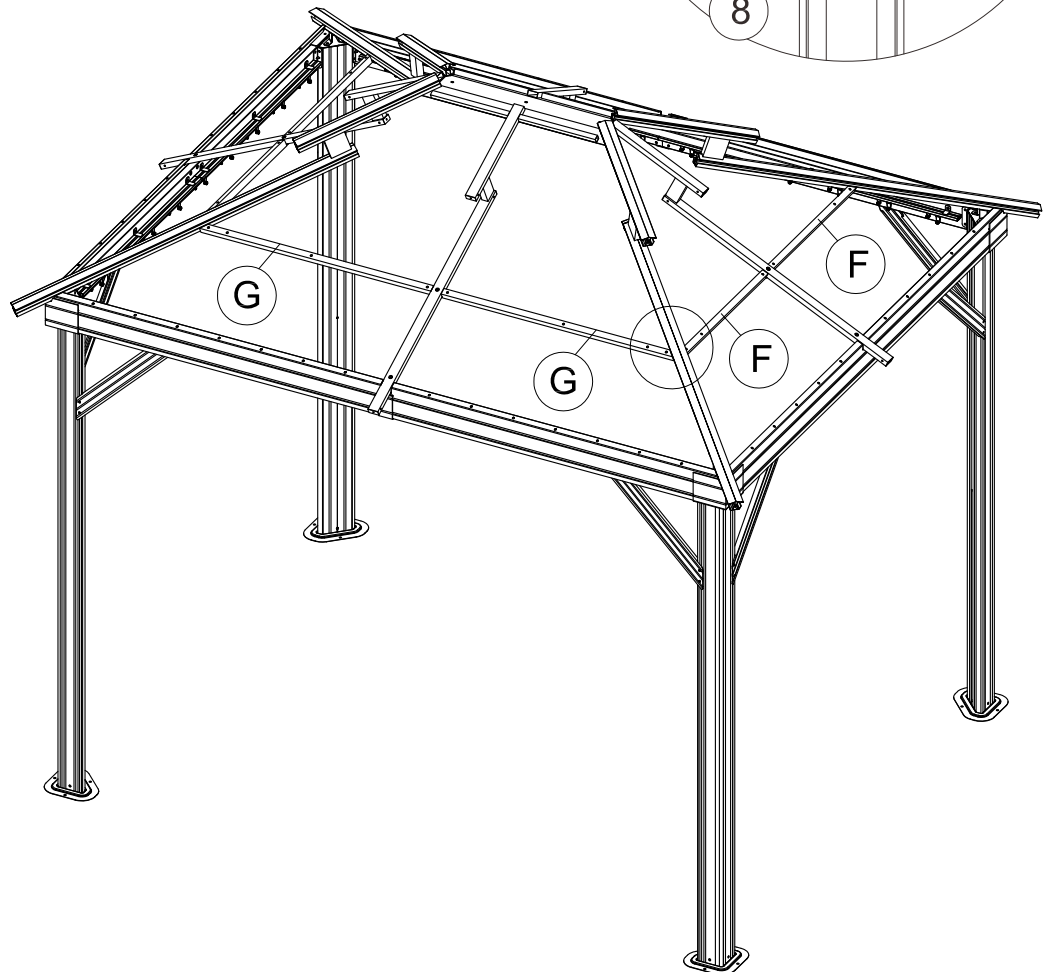
Inside View



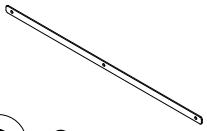
(1) Insert Part #U2 into Part #F and Part #G.

(2) Secure with 2 Bolts #8.

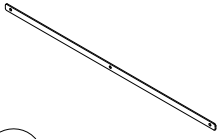
(3) Secure them to Part #E with Bolt #8.



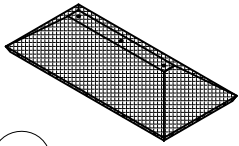
(4) Repeat the above procedures to assemble the other 3 sides.



Q 2x

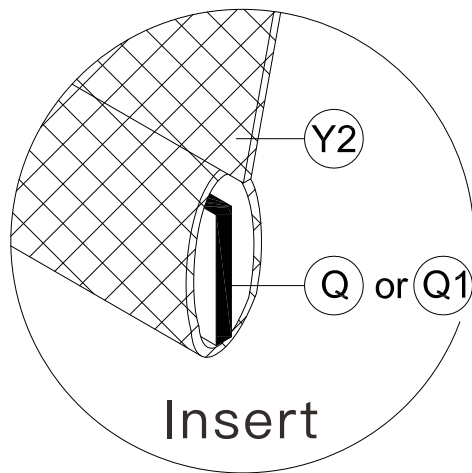
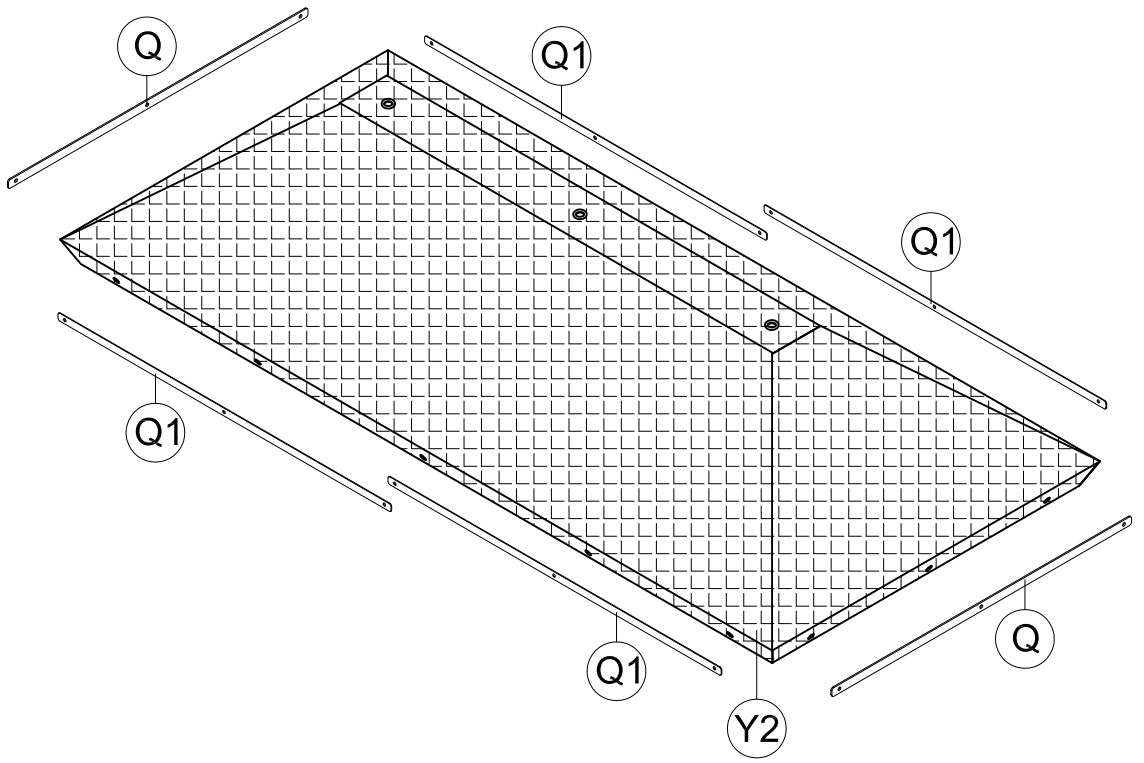


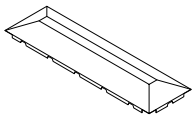
Q1 4x



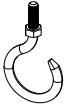
Y2 1x

Insert the Plastic Bar into the Small Mesh.

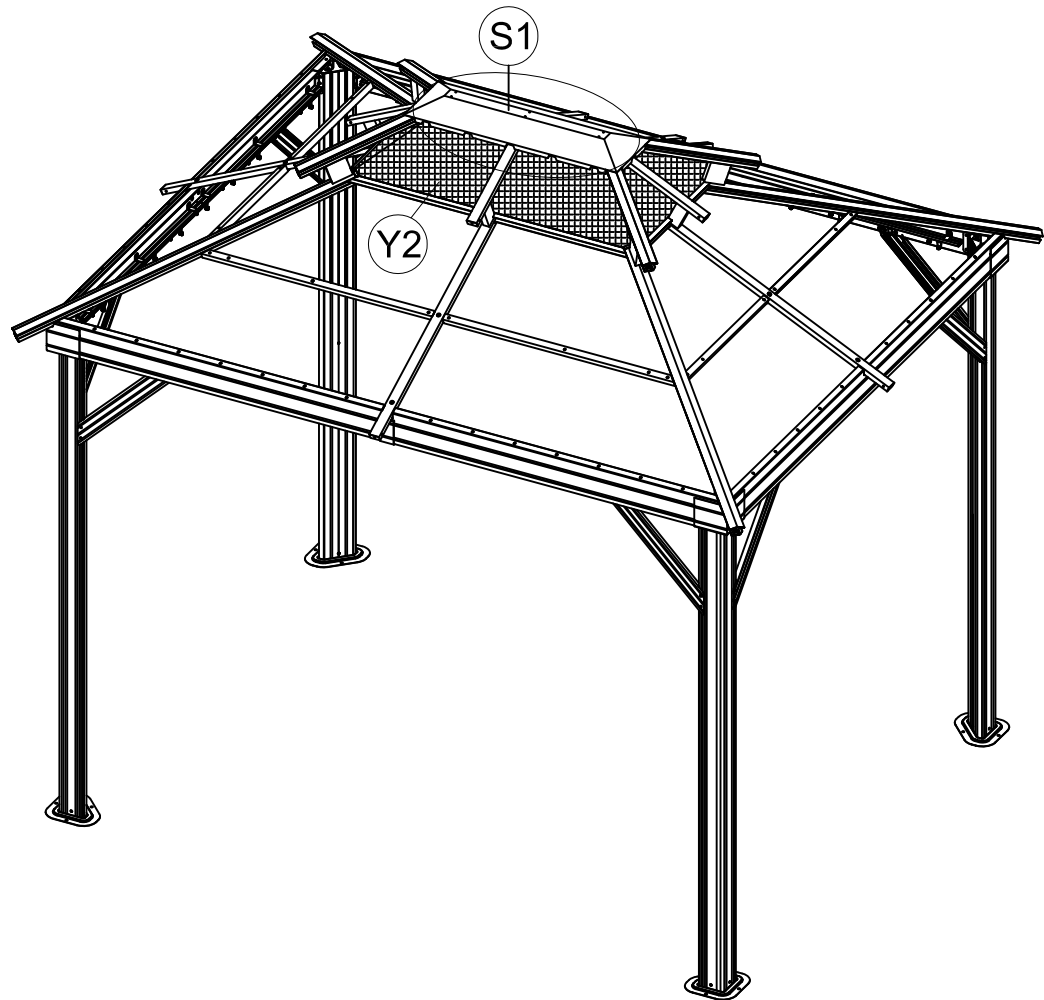
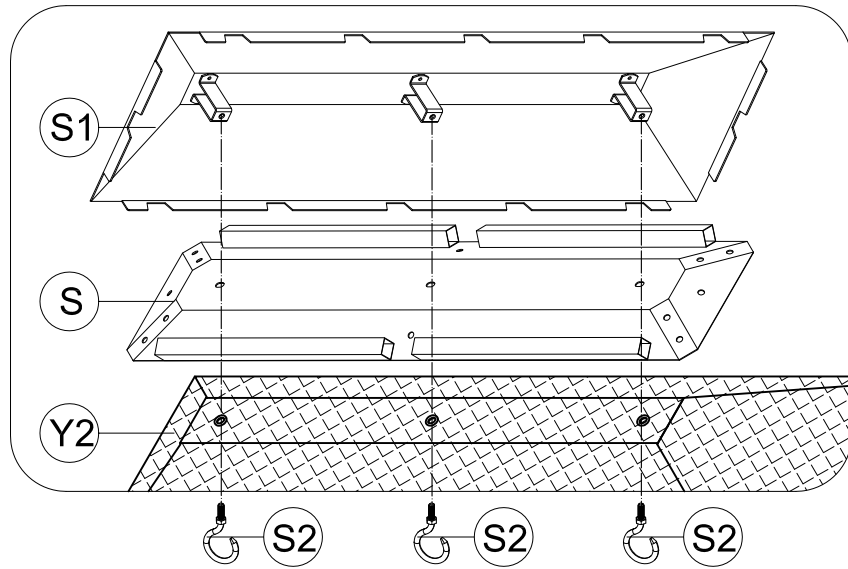




(S1) 1x

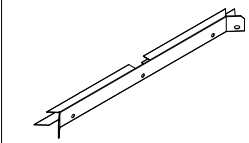


(S2) 3x

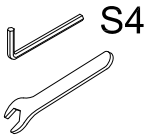


Place the Outside Roof Cover #S1 on the inside Roof Connector #S, align the holes and use 3 Hooks #S2 to secure the Small Mesh #Y2 to the inside Roof Connector (From Bottom to Top).

Use Screw #2 to assemble the plastic bar #Q (in the small mesh #Y2) and finishing bar #J to the middle roof tube #E2.



J 2x



1 1x



ST6.3x15

2 2x



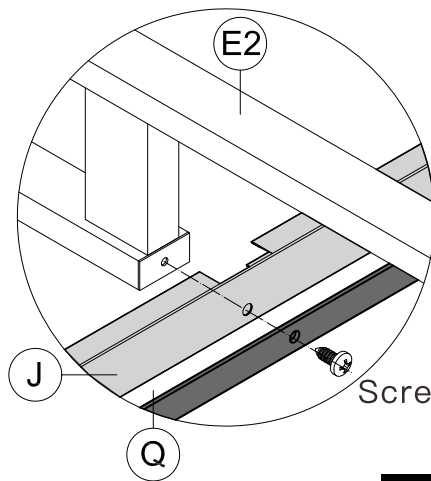
M6

5 4x

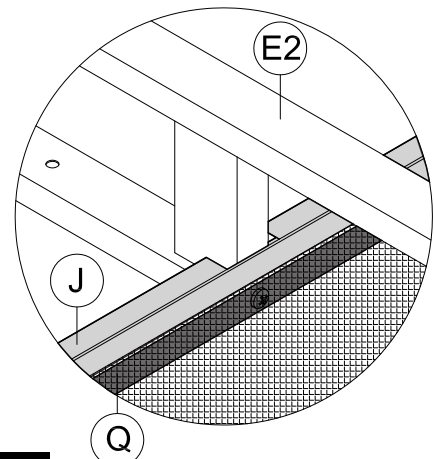


M6x16

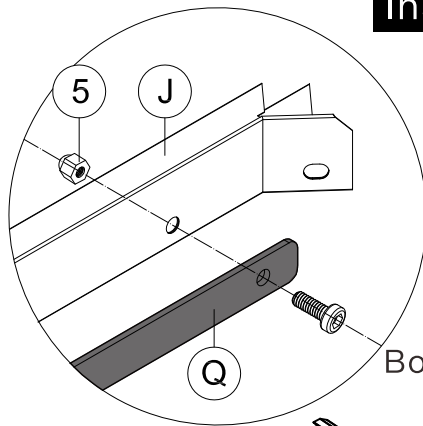
8 4x



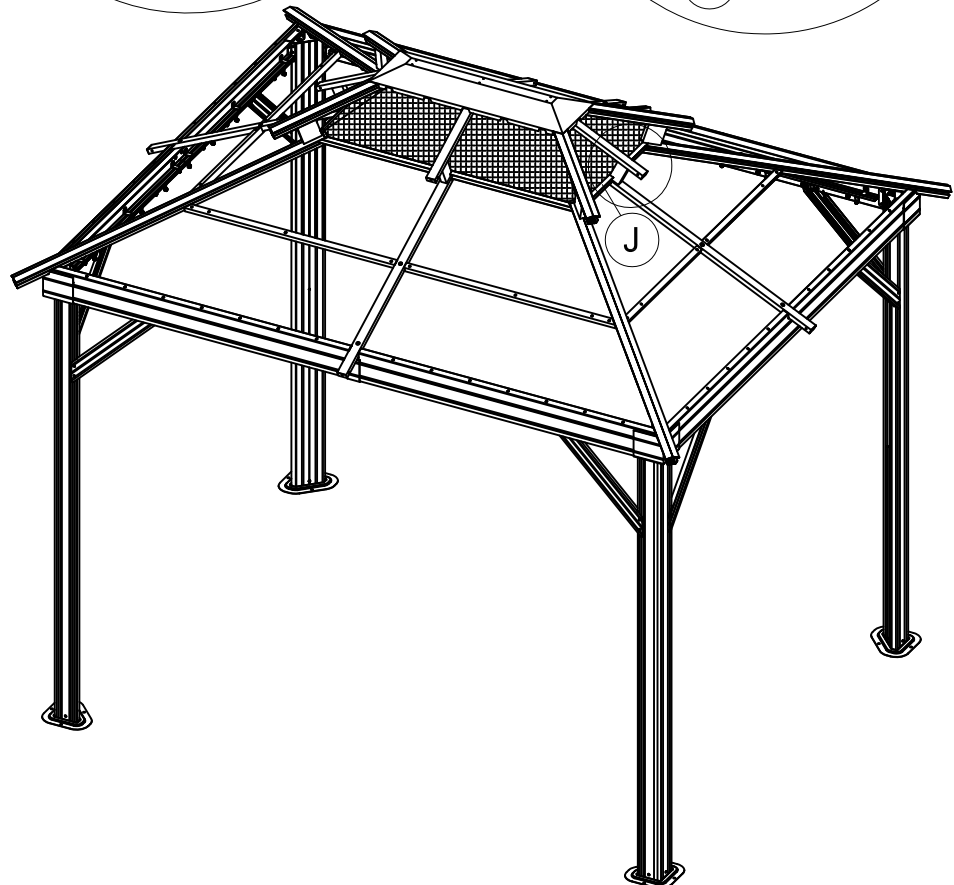
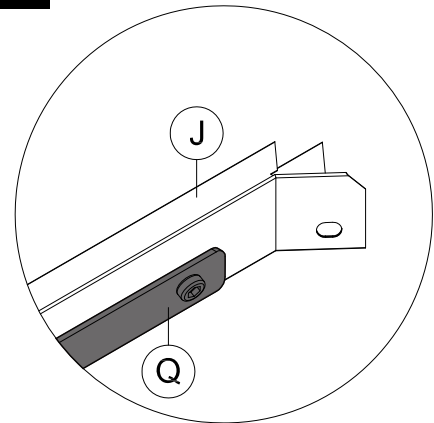
Screw #2

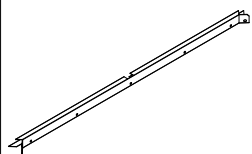


Inside View



Bolt #8





J1 2x

S4



1 1x



ST6.3x15

2 2x



M6

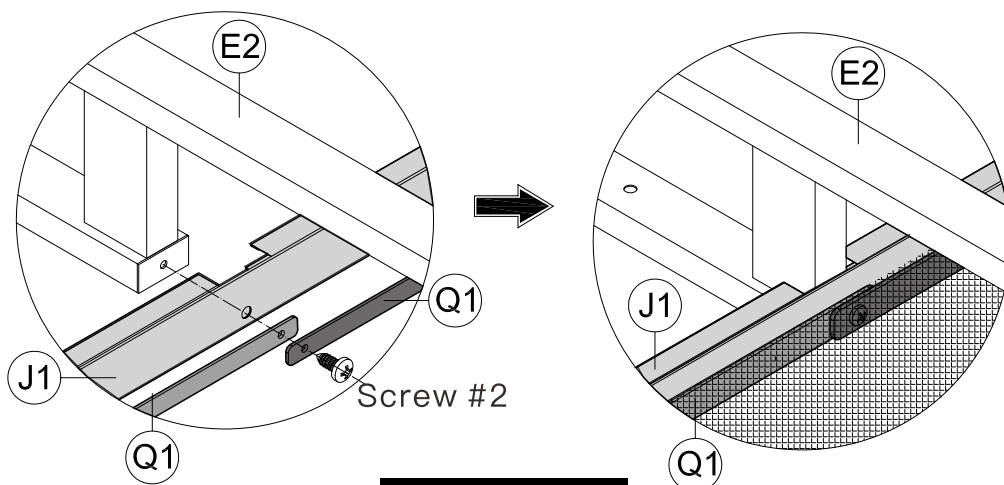
5 8x



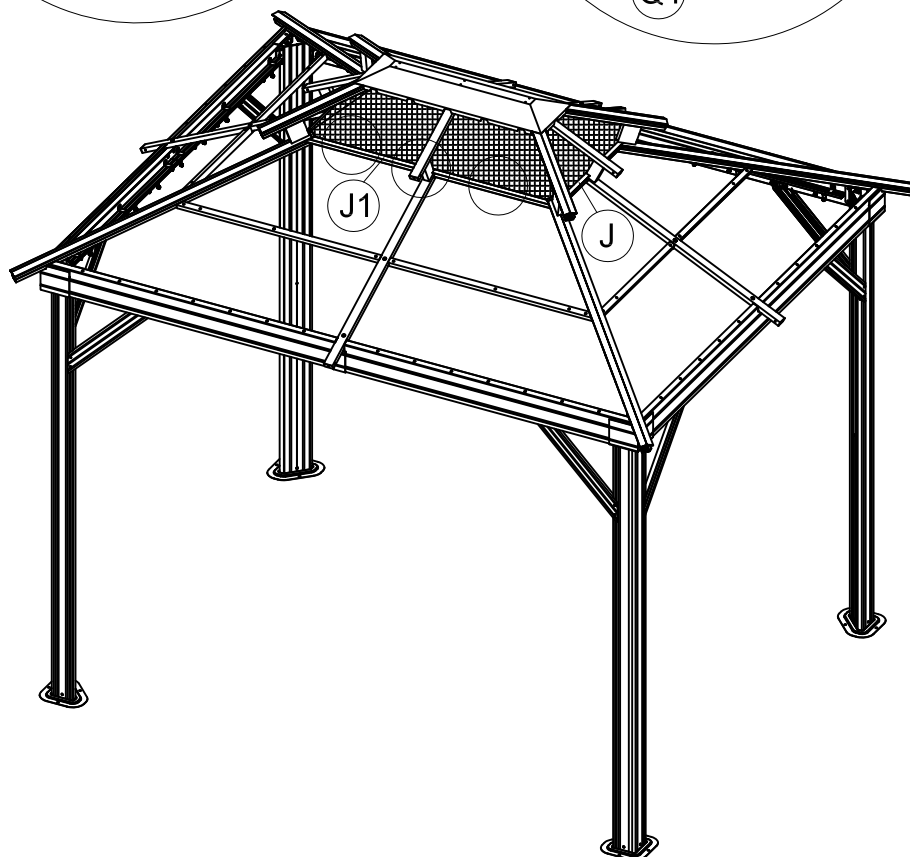
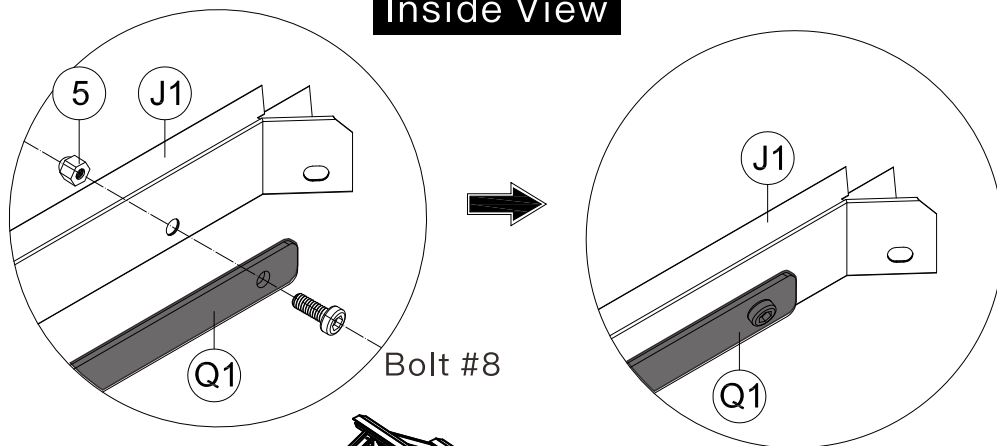
M6x16

8 8x


Use Screw #2 to assemble the plastic bar #Q1 (in the small mesh #Y2) and finishing bar #J1 to the middle roof tube #E2.



Inside View



26

 Please do not pull plastic bar out when installing it with finishing bar .



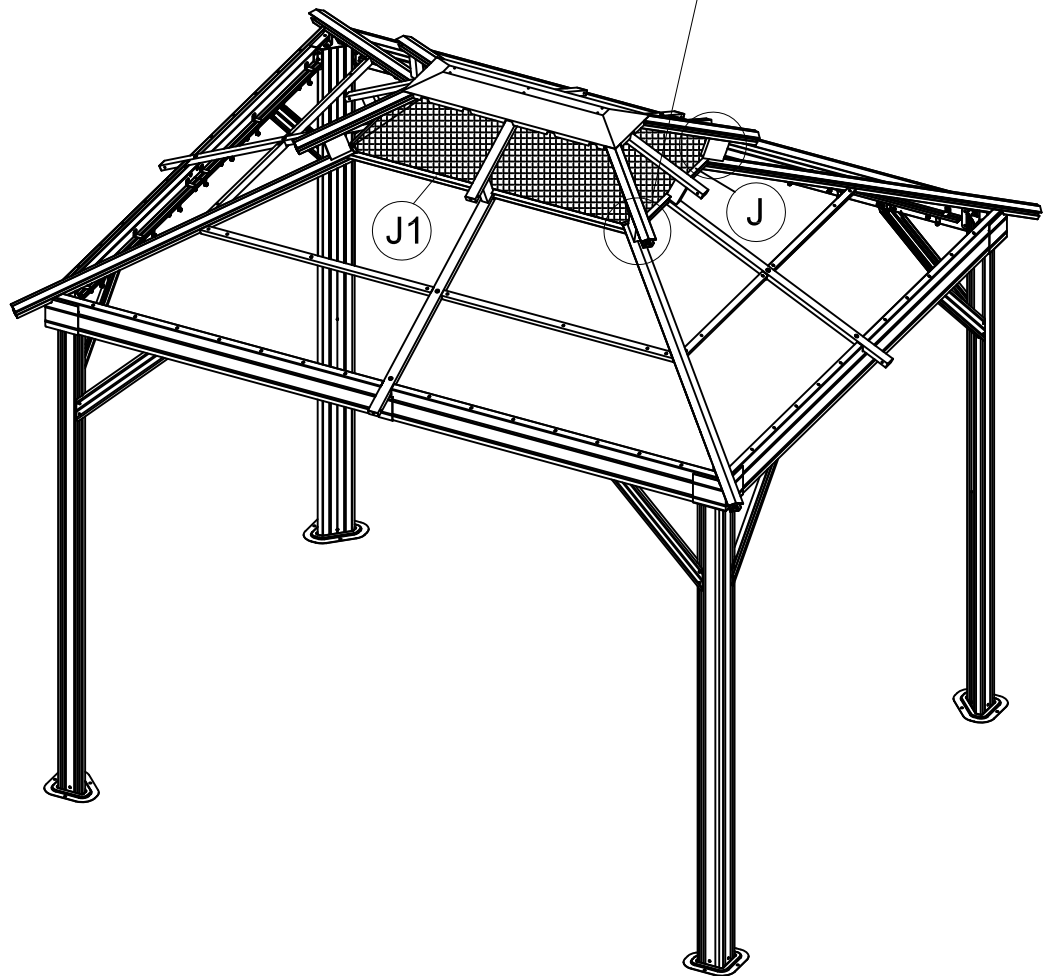
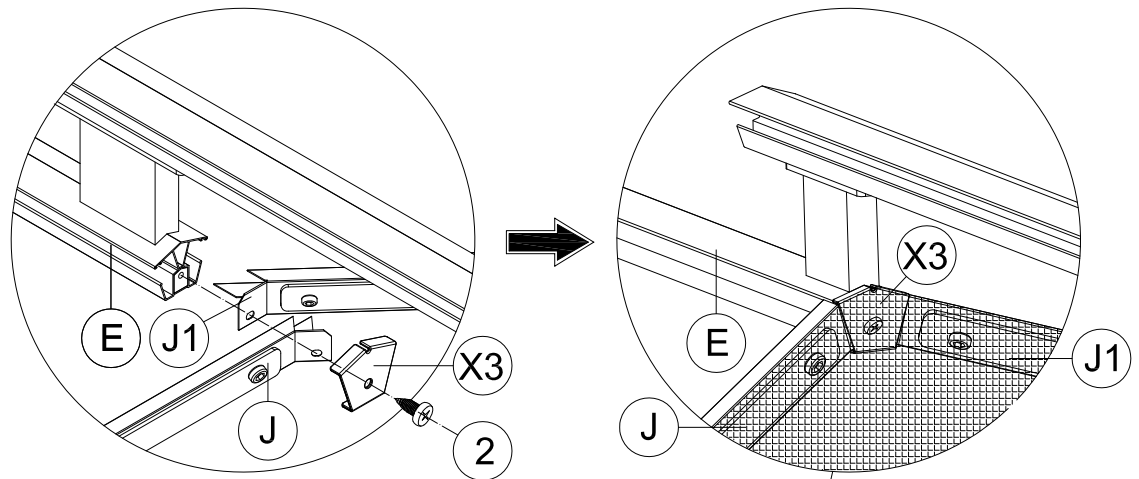
X3 4x

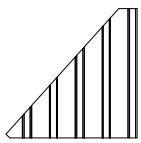


ST6.3x15

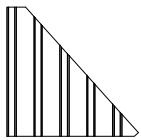
2 4x

Use 4 Screws #2 to secure the small mesh, finishing end #X3 and finishing bar to the corner roof tube #E.

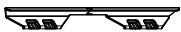




L1 2x



L2 2x



Z 4x

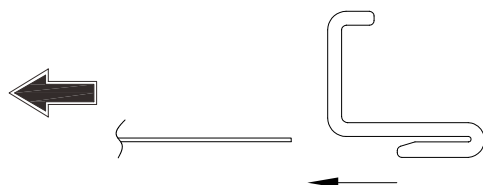
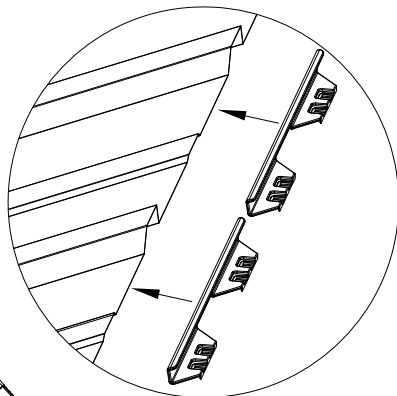
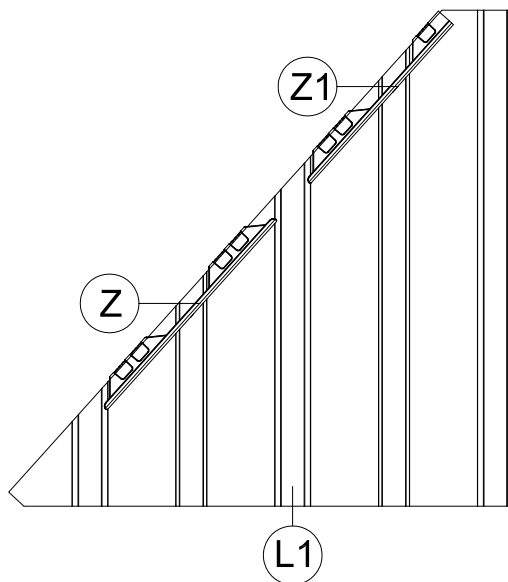


Z1 2x

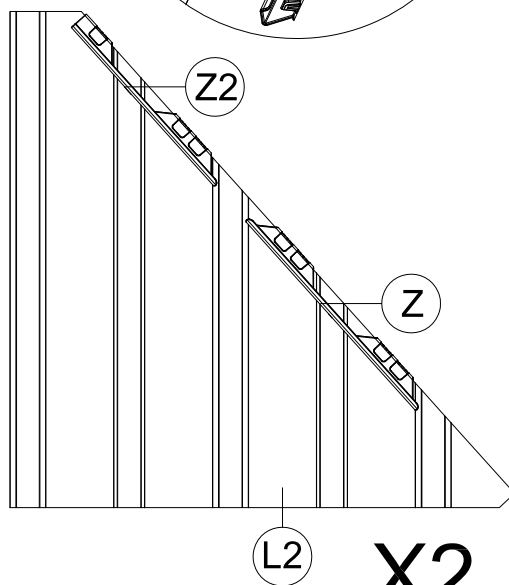


Z2 2x

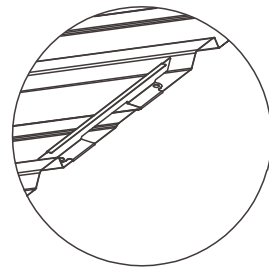
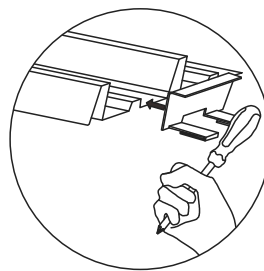
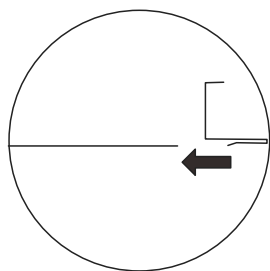
X2



Section View



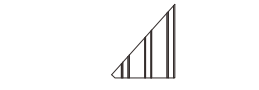
X2



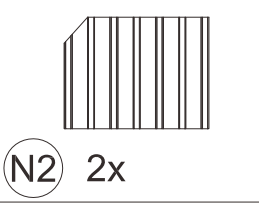
Attach Z/Z1/Z2 by lightly tapping with a screwdriver.

⚠ Please install Plastic Clips in strict accordance with the instructions.

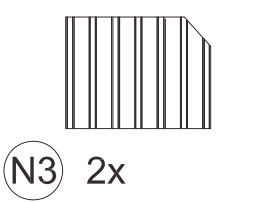
Cover Part #Z to Roof Panels.



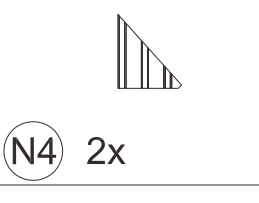
(N1) 2x



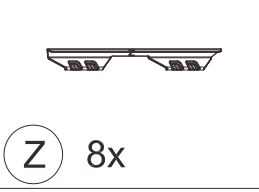
(N2) 2x



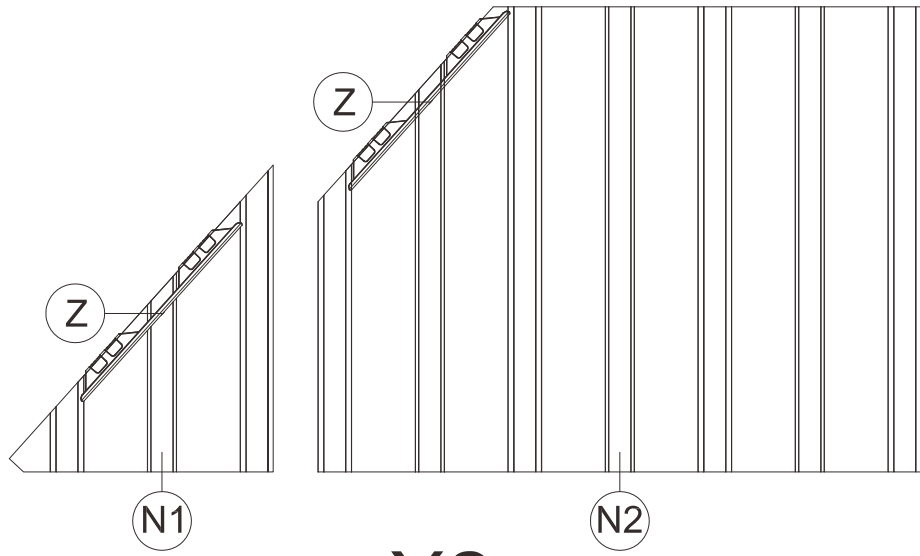
(N3) 2x



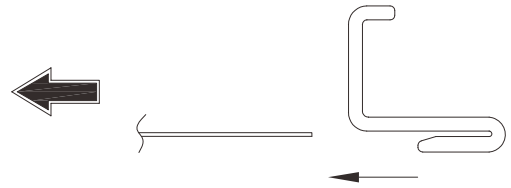
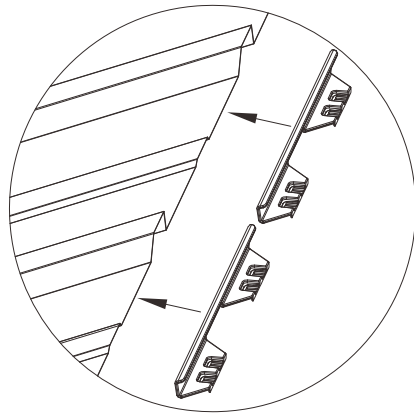
(N4) 2x



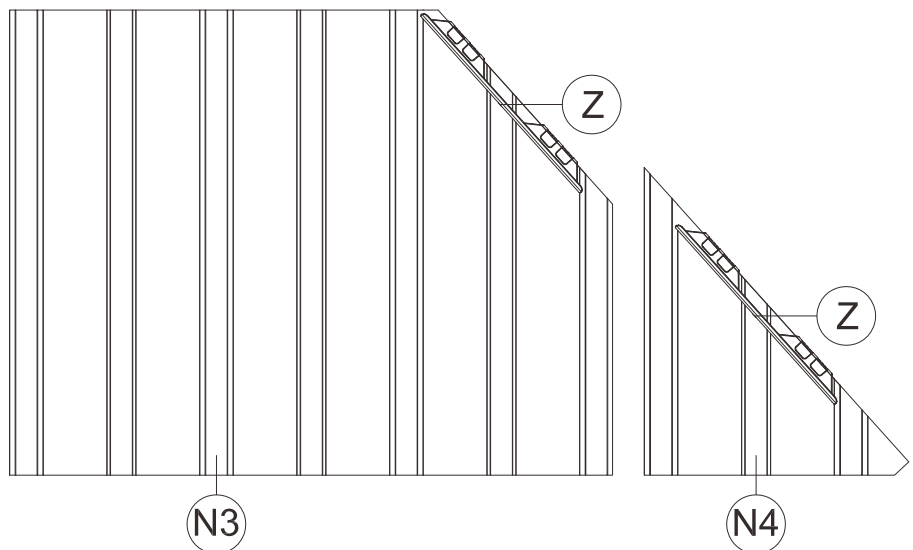
(Z) 8x



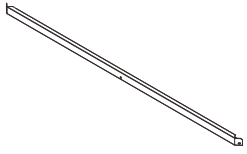
X2



Section View



X2



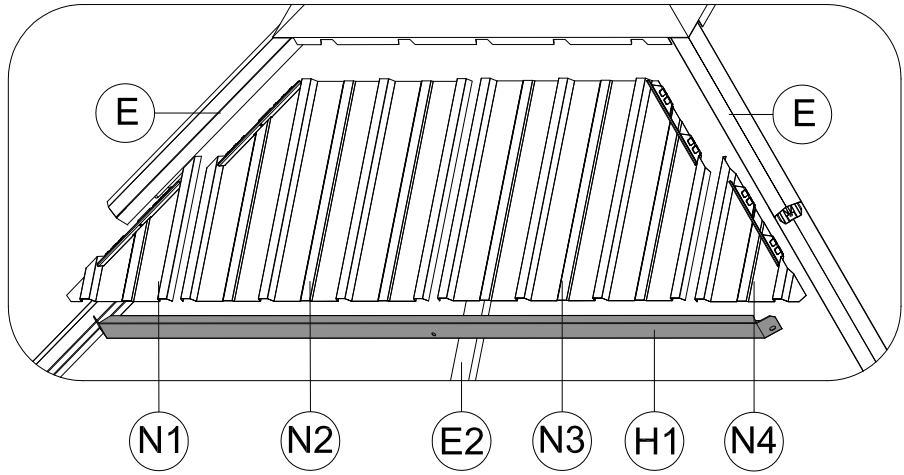
H1 2x



ST6.3x15

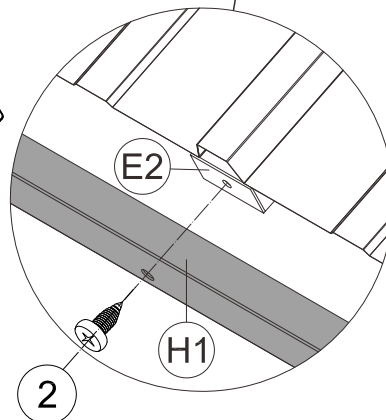
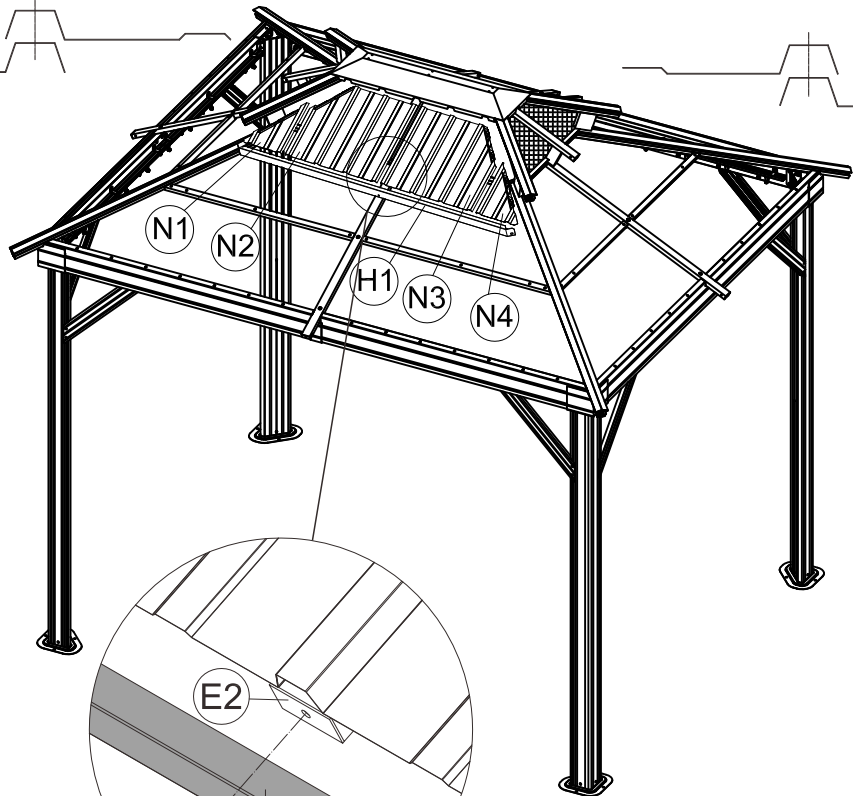
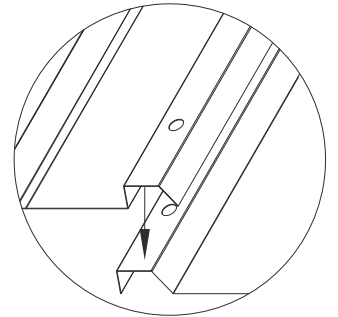
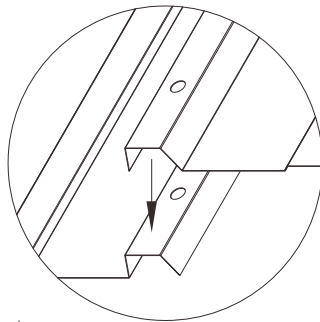
2 2x

ATTENTION: The bigger roof panel need to cover the smaller one.



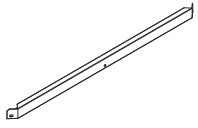
(1) Insert Part #N1 and Part #N2 into the frame.

(2) Insert Part #N4 and Part #N3 into the frame.



30

(3) Repeat the above procedures to assemble the opposite side.



H 2x

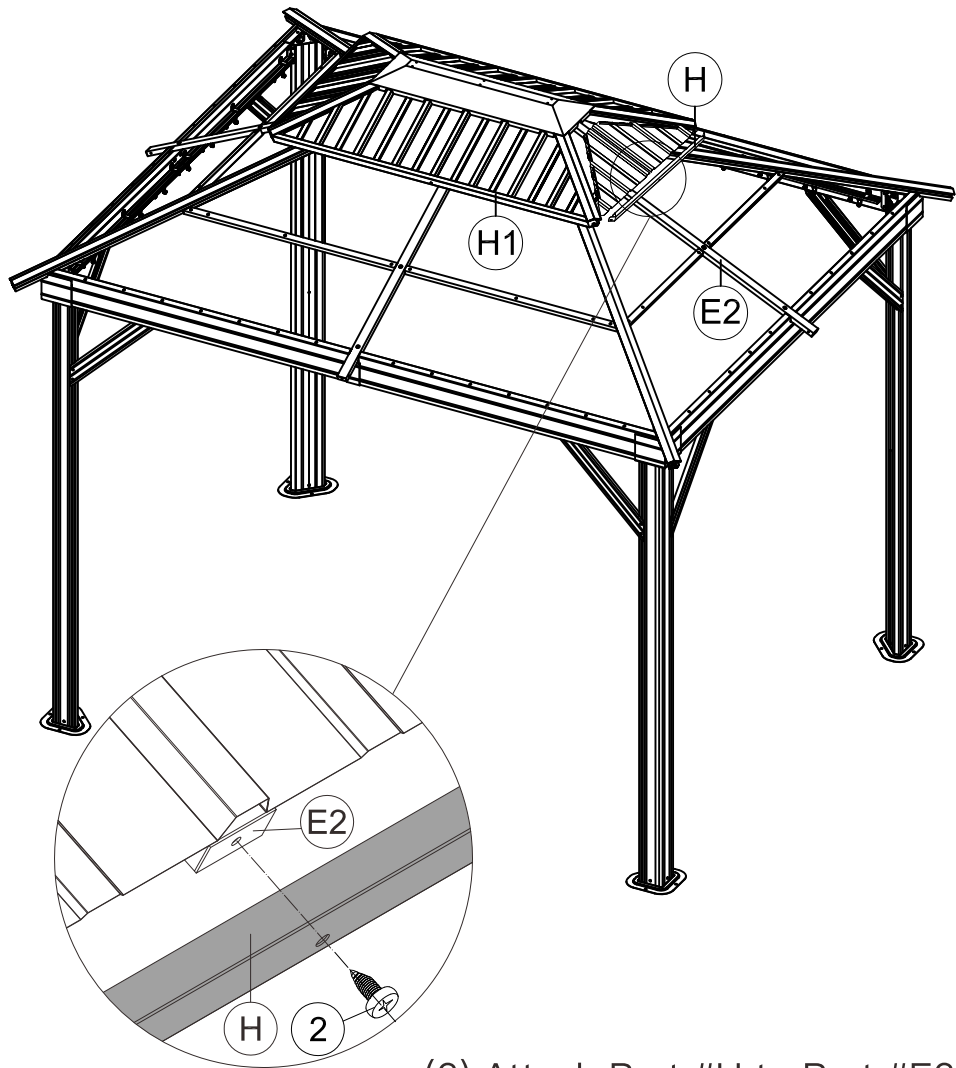
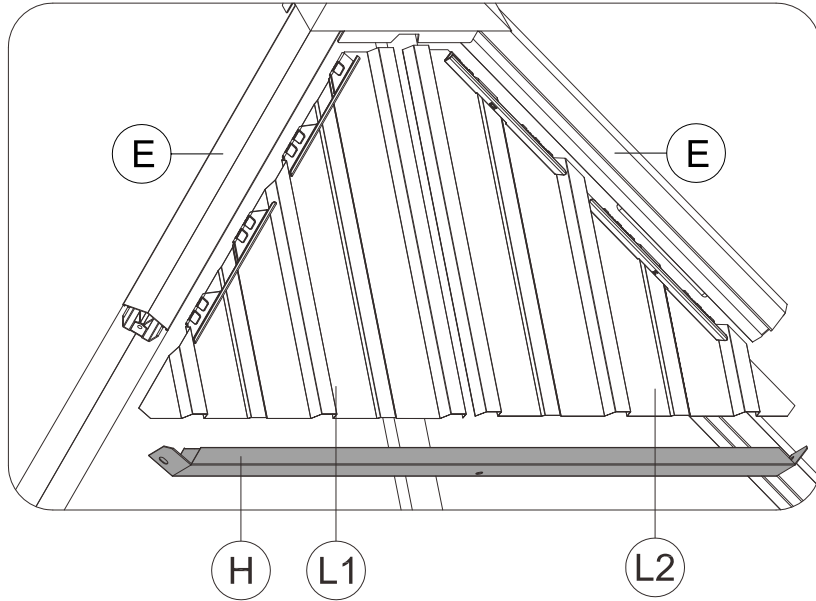


ST6.3x15

2 2x

ATTENTION: The bigger roof panel need to cover the smaller one.

(1) Insert Part #L1 and Part #L2 into the frame.



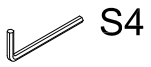
(2) Attach Part #H to Part #E2, securing with Screw #2.

(3) Repeat the above procedures to assemble the opposite side.



(1) Place Part #H and Part #H1 on Part #E2; put on Part #X3 and secure with Self-tapping Screw #2.

X3 4x

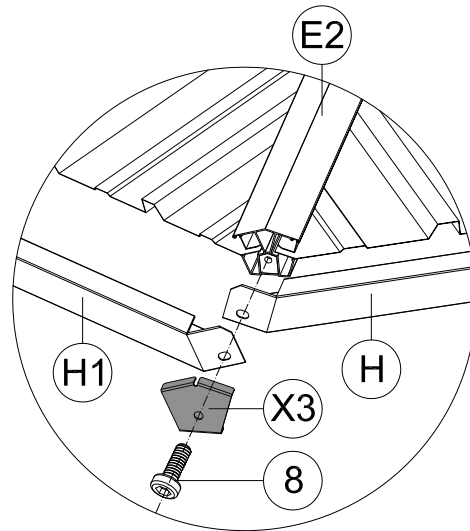


1 1x

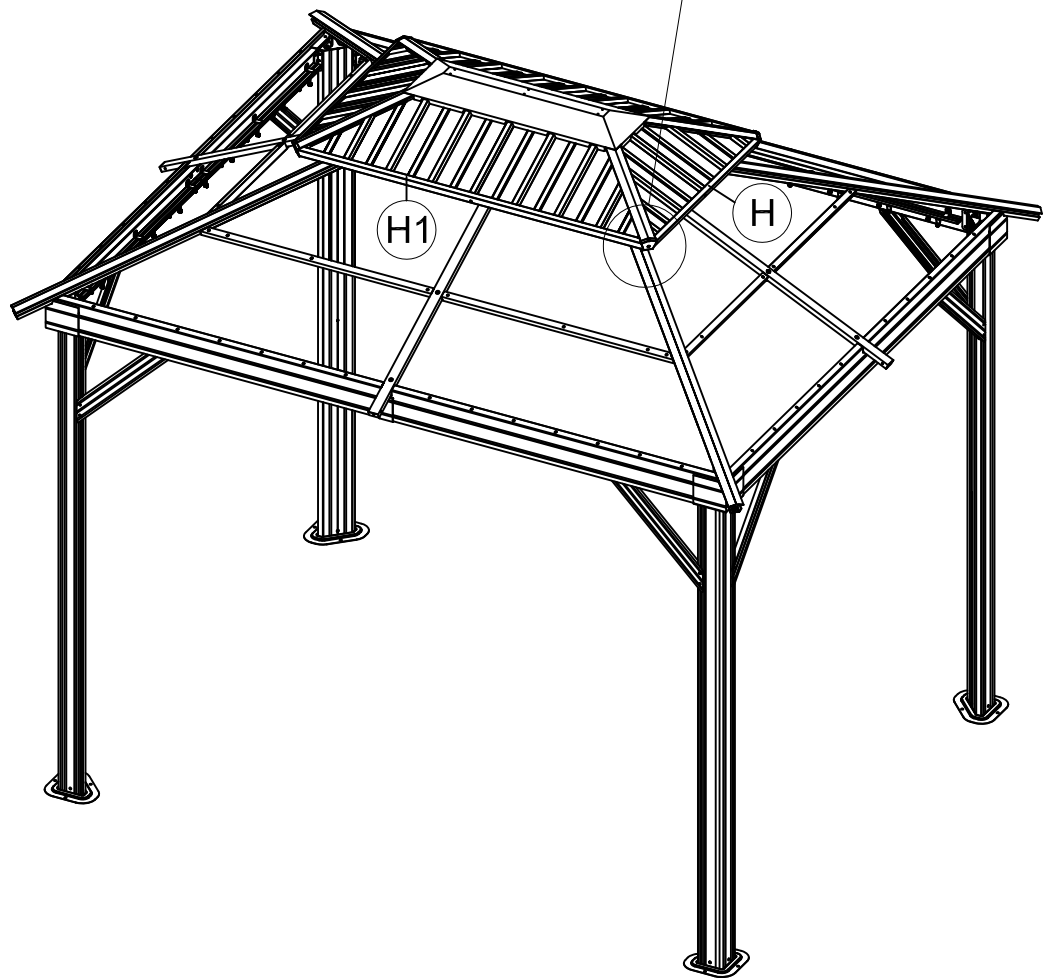


M6x16

8 4x


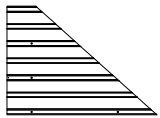

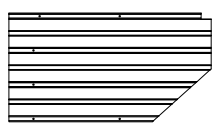
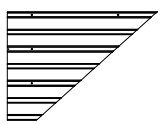






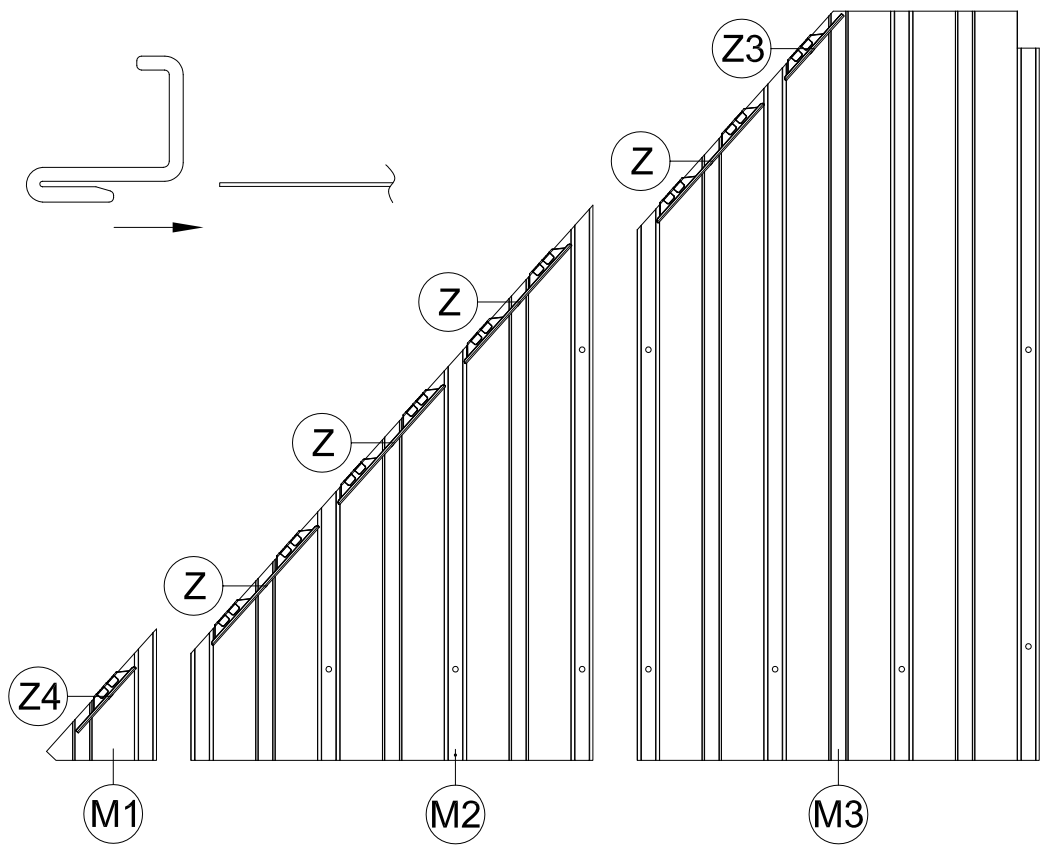
Outside View



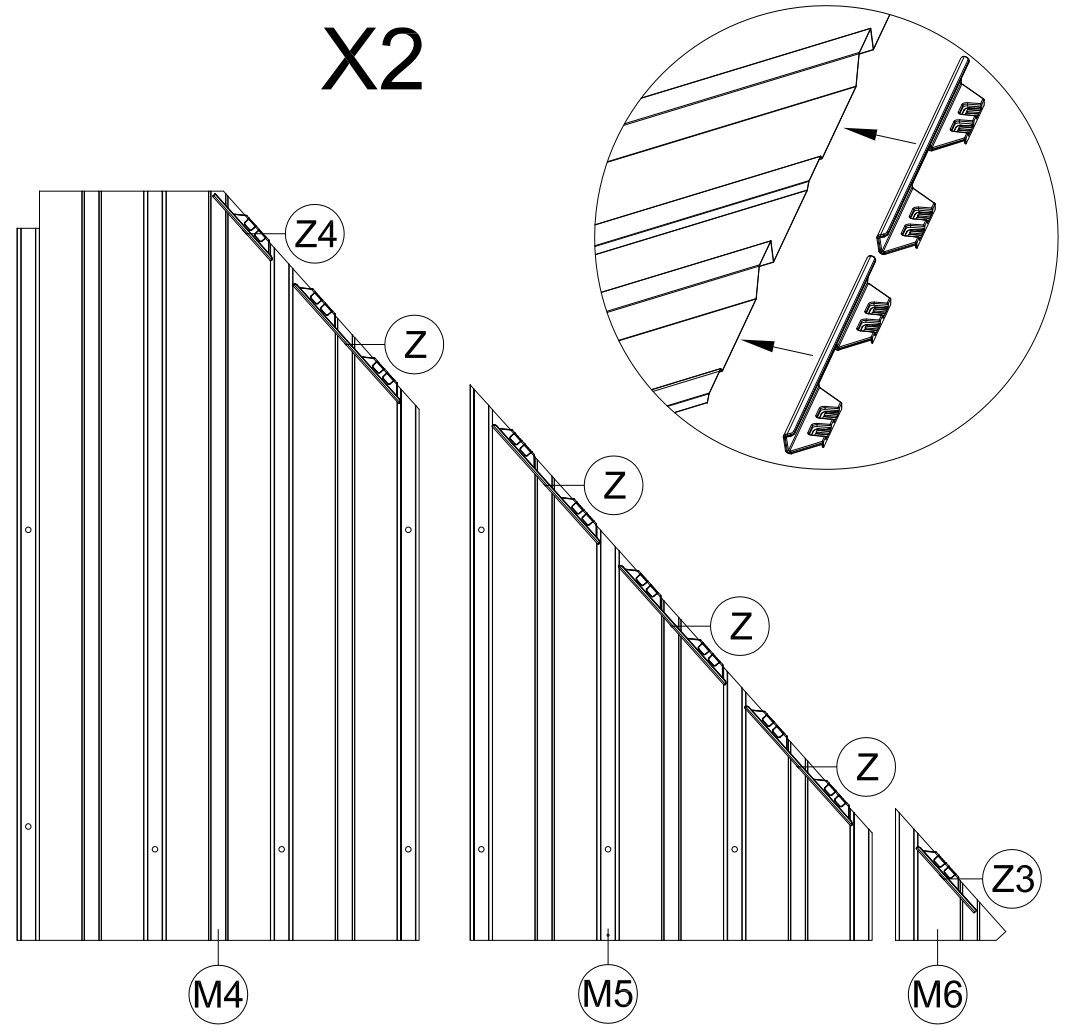
(2) Repeat the above procedures to assemble the other 3 corners.

Cover Part #Z,#Z3 & #Z4 to Roof Panels.

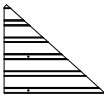
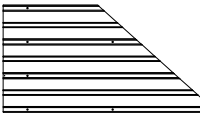
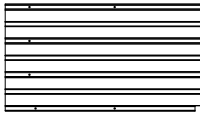
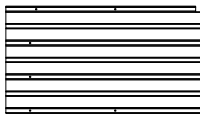
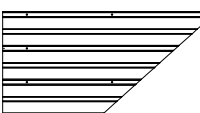
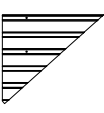



-  (M1) 2x
-  (M2) 2x
-  (M3) 2x
-  (M4) 2x
-  (M5) 2x
-  (M6) 2x
-  (Z) 16x
-  (Z3) 4x
-  (Z4) 4x

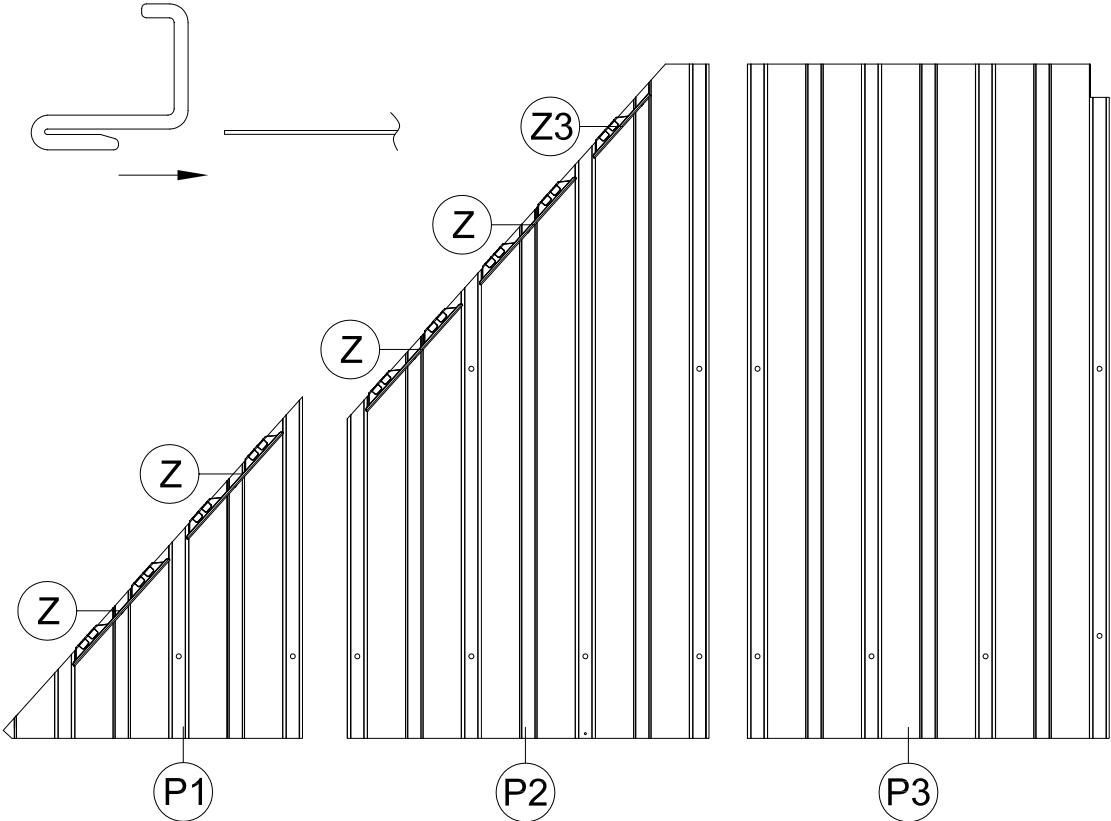


X2

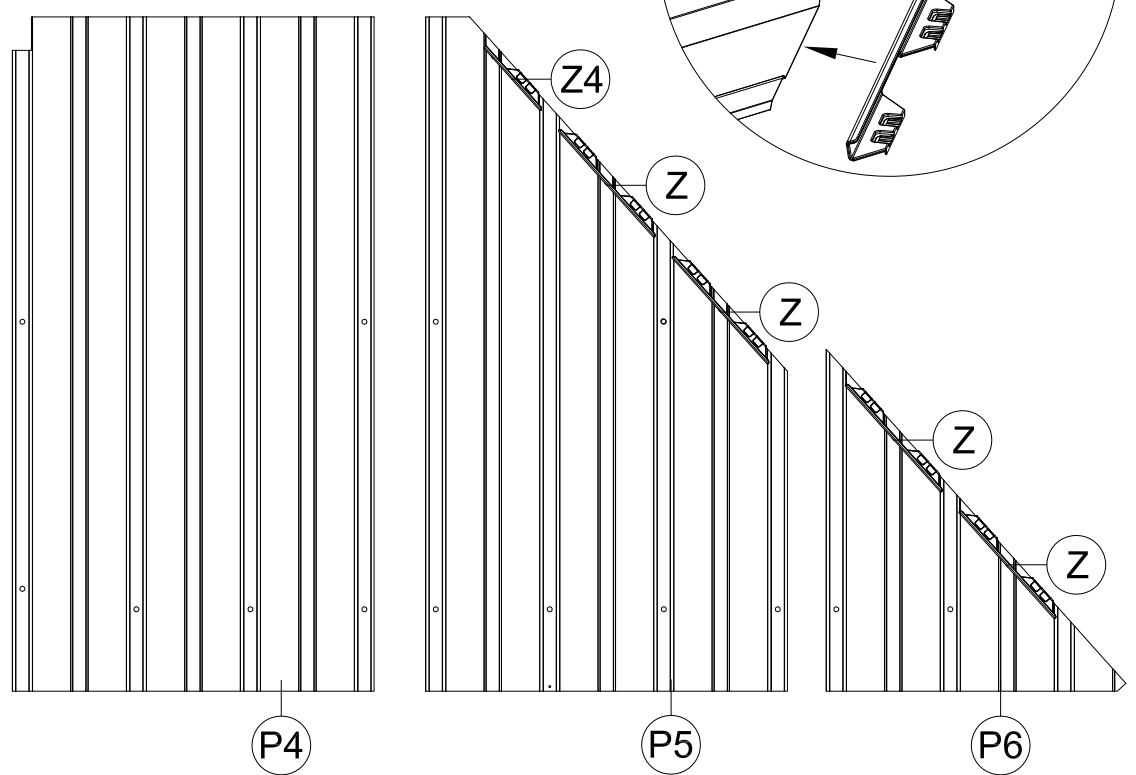
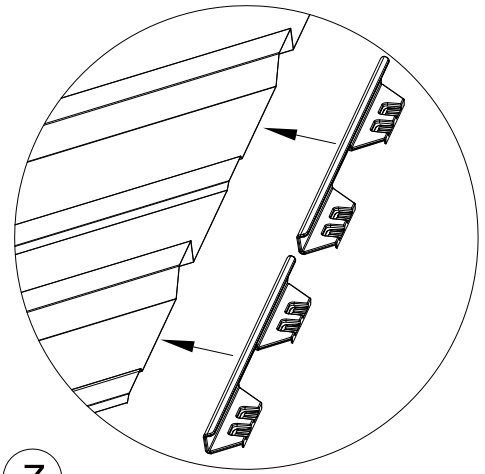


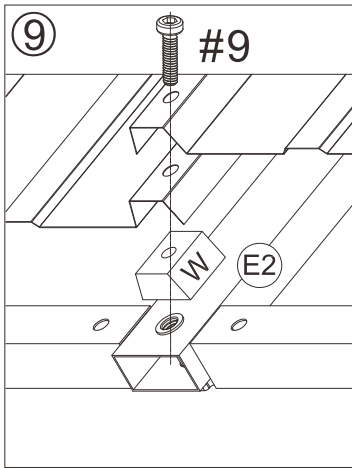
Cover Part #Z,#Z3 & #Z4 to Roof Panels.

-  **P1** 2x
-  **P2** 2x
-  **P3** 2x
-  **P4** 2x
-  **P5** 2x
-  **P6** 2x
-  **Z** 16x
-  **Z3** 2x
-  **Z4** 2x

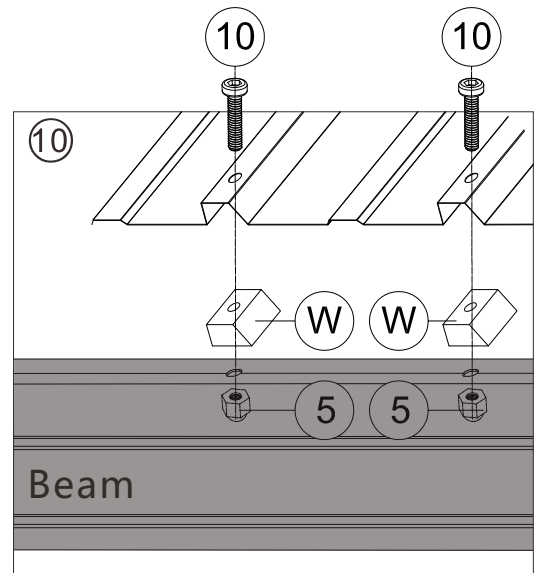
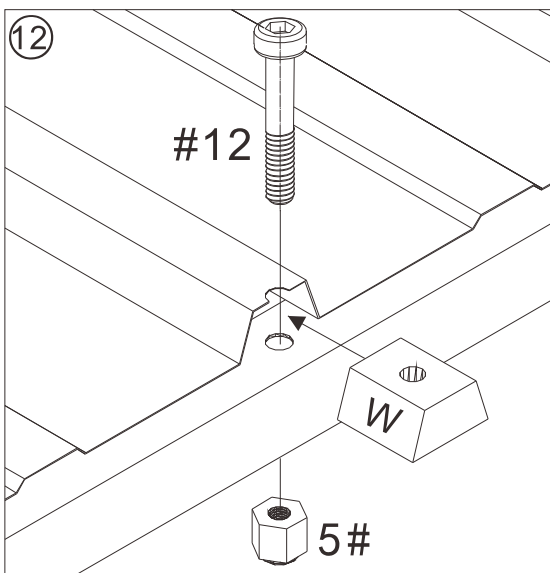
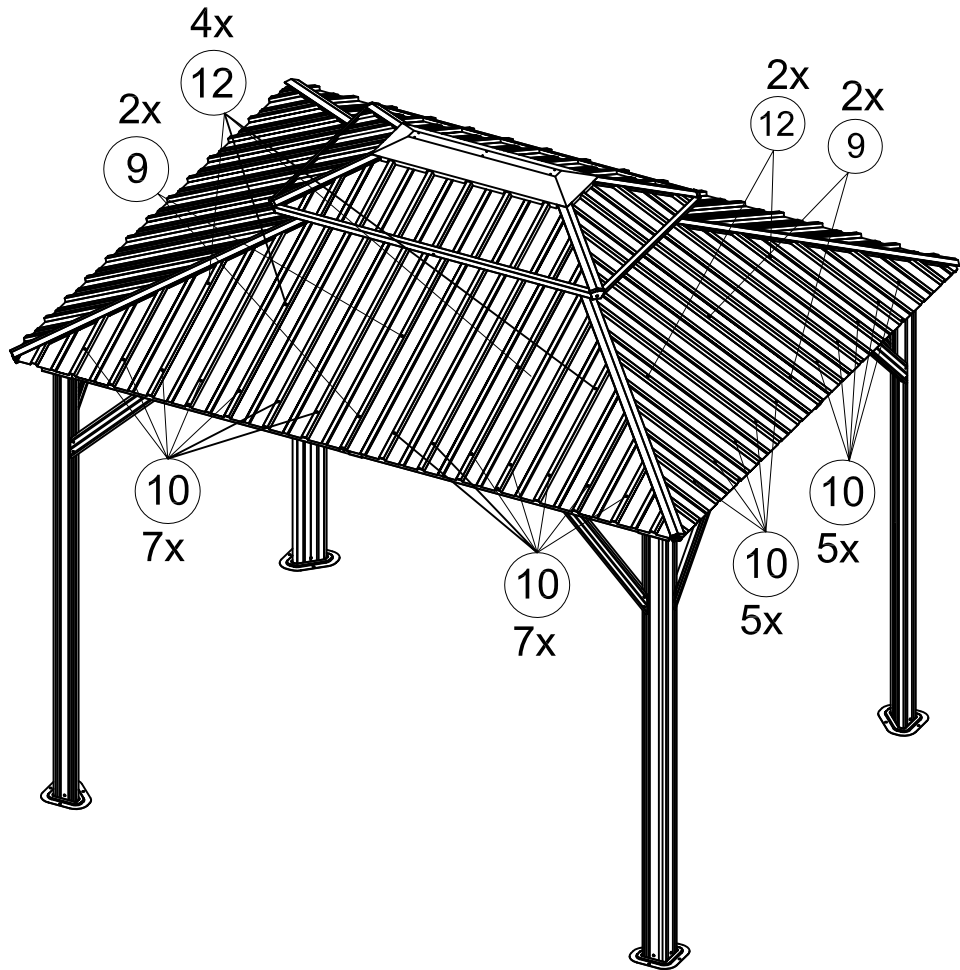


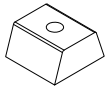
X2



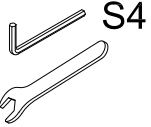


▲ Part #W should be inserted between roof panels and solidifying bar or beams, then secure with bolts and nuts.





W 20x



1 1x



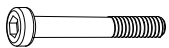
M6

5 20x



M6x28

10 16x

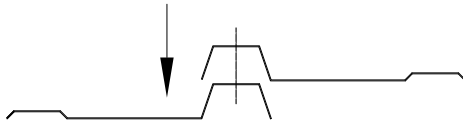


M6x50

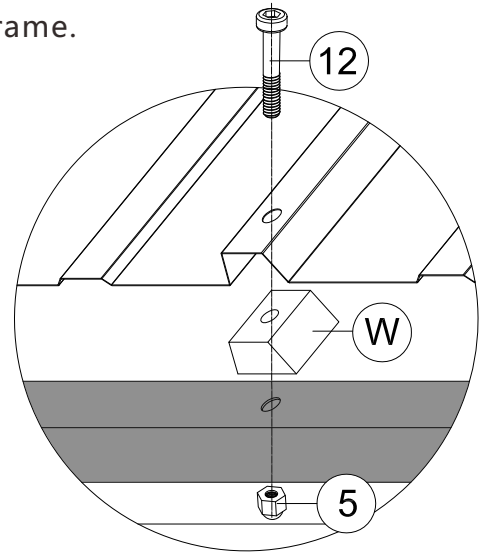
12 4x

(1) Insert Part #P1 and Part #P2 into the frame.

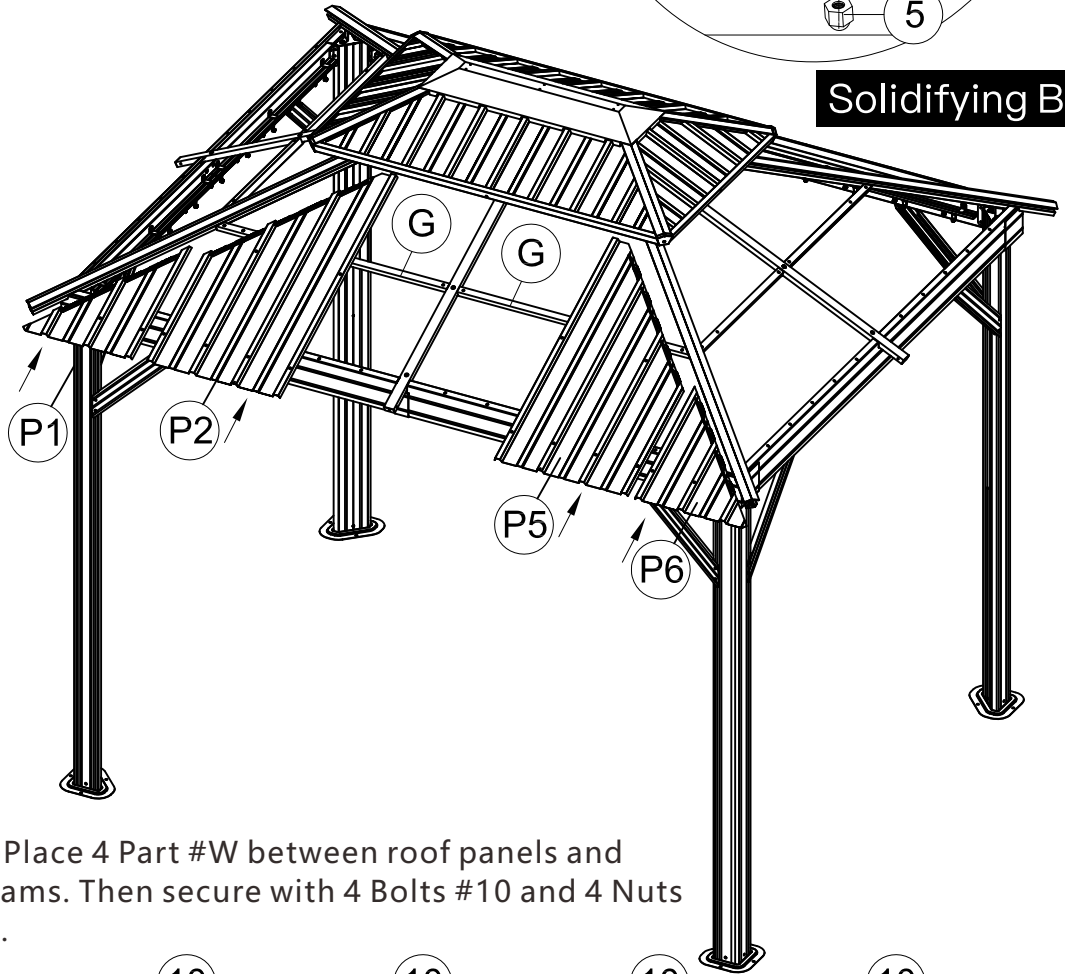
(2) Place 1 Part #W between roof panels and solidifying bars. Then secure with 1 Bolt #12 and 1 Nuts #5.



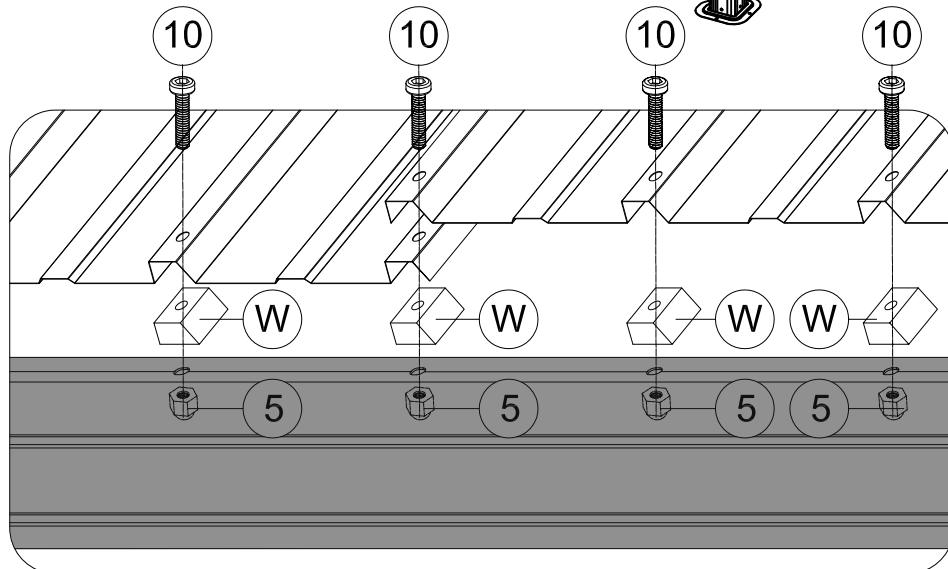
ATTENTION: The bigger roof panel need to cover the smaller one.



Solidifying Bar

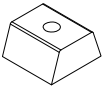


(3) Place 4 Part #W between roof panels and beams. Then secure with 4 Bolts #10 and 4 Nuts #5.

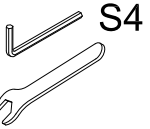


Beam

(4) Repeat the above procedures to assemble #P5 & Part #P6 and the opposite side.



W 20x



1 1x



M6

5 16x



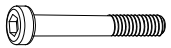
M6x25

9 4x



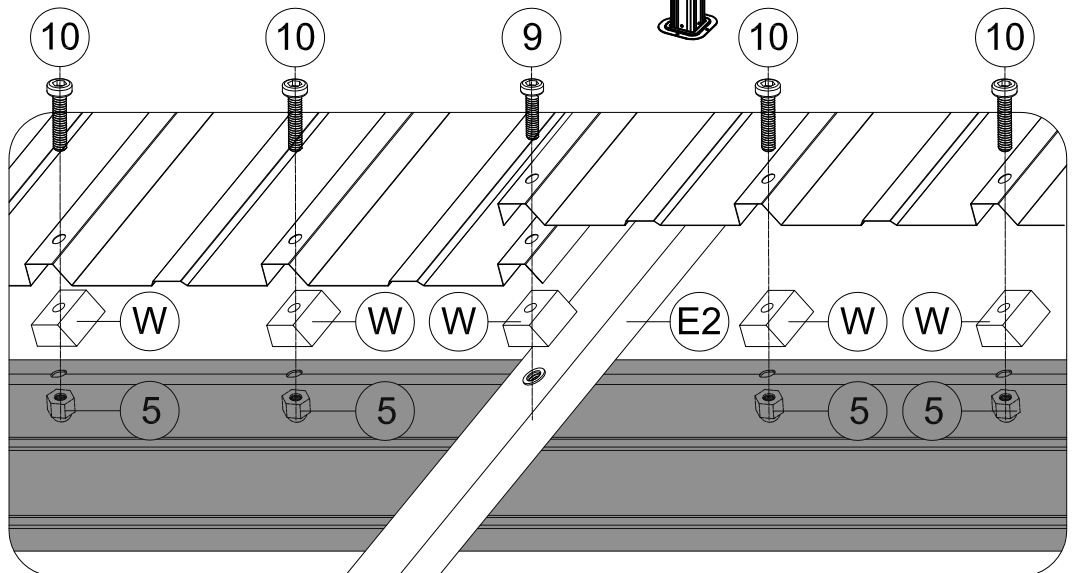
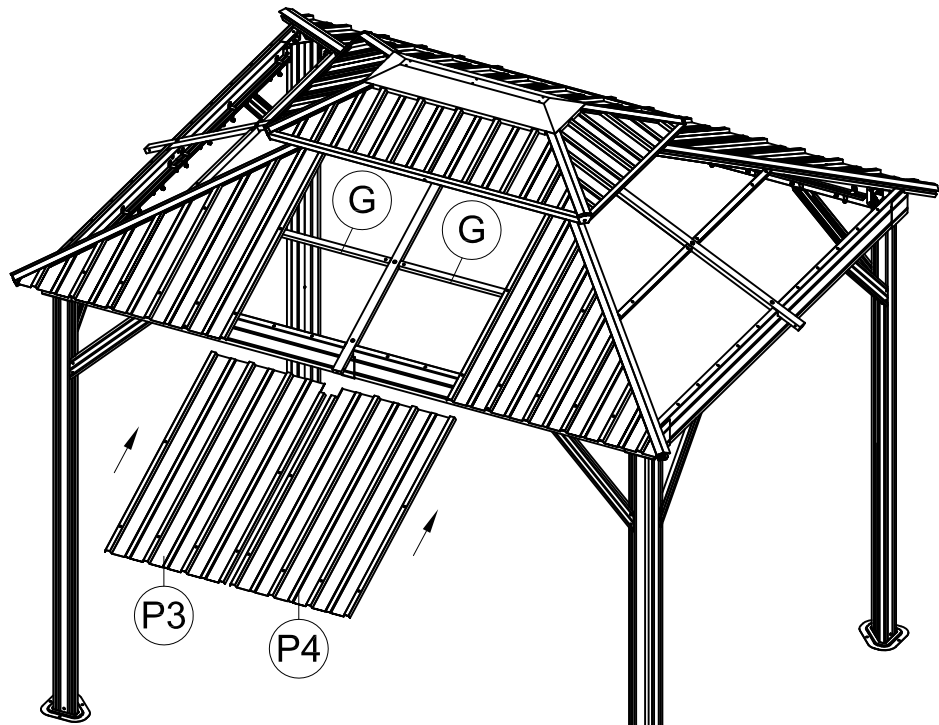
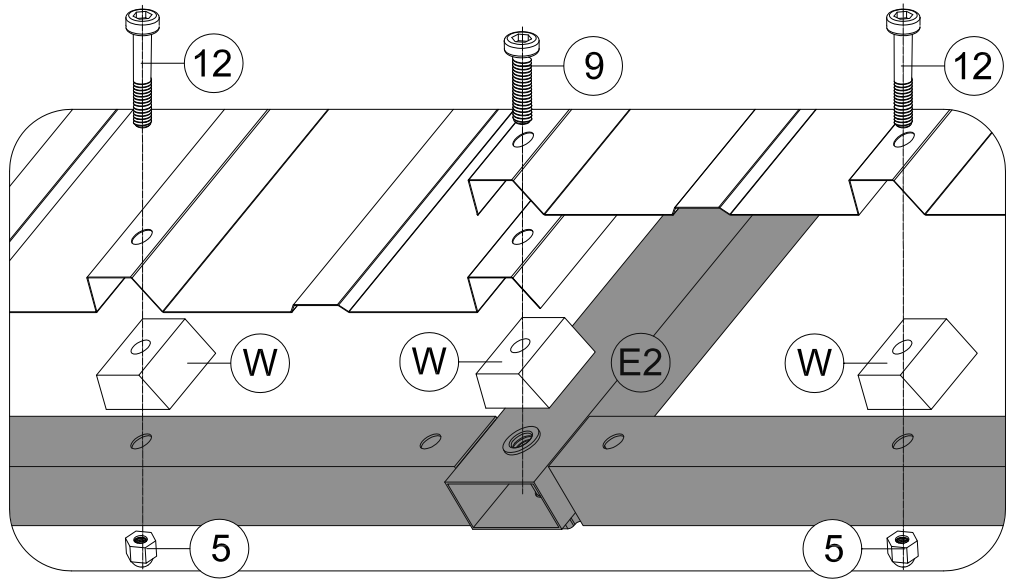
M6x28

10 12x



M6x50

12 4x



37-1

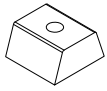
(1) Insert Part #P3 and Part #P4 into the frame.

(2) Place 2 Part #W between roof panels and solidifying bar. Then secure with 2 Bolts #12 and 2 Nuts #5.

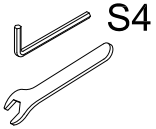
(3) Place 2 Part #W between roof panels and Roof Tube #E2. Then secure with 2 Bolts #9.

(4) Place 6 Part #W between roof panels and beams. Then secure with 6 Bolts #10 and 6 Nuts #5.

(5) Repeat the above procedures to assemble the opposite side.



W 8x



1 1x



M6

5 8x

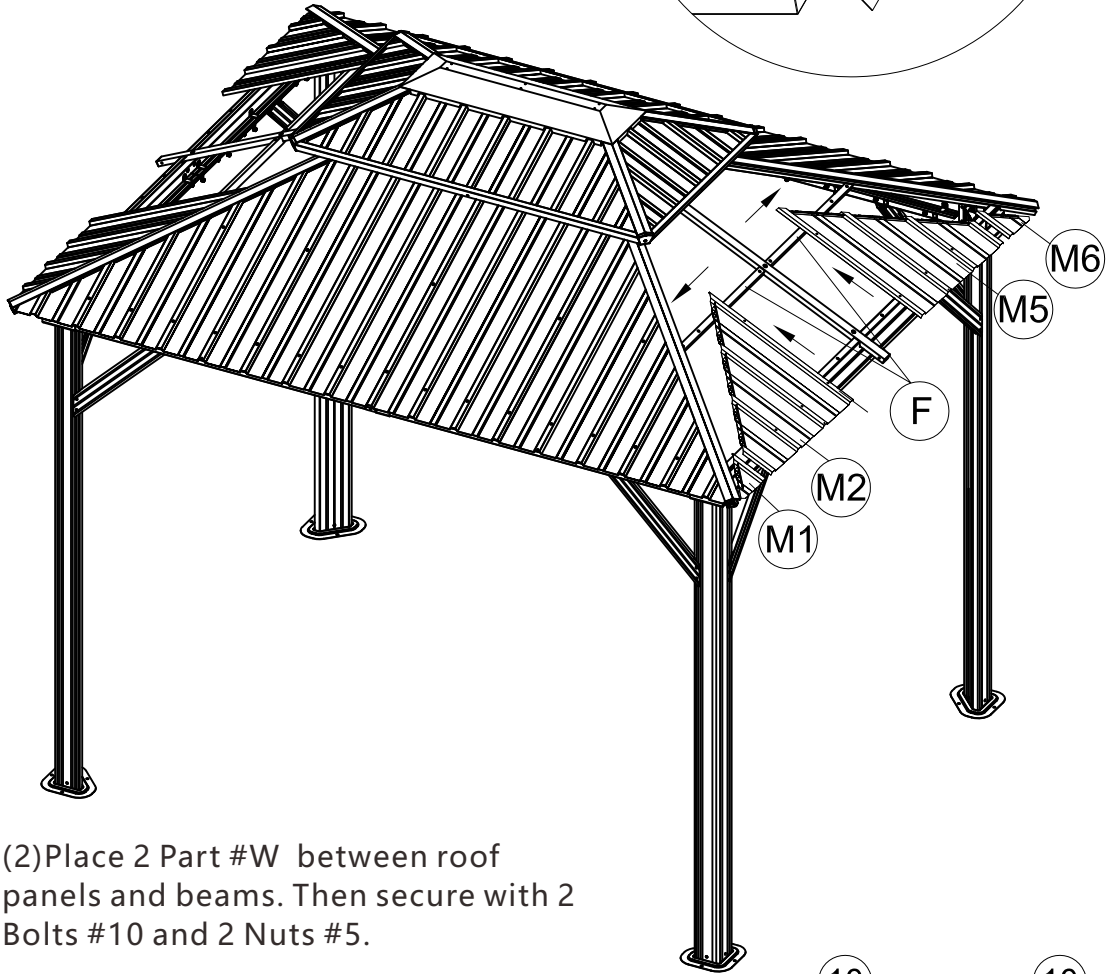
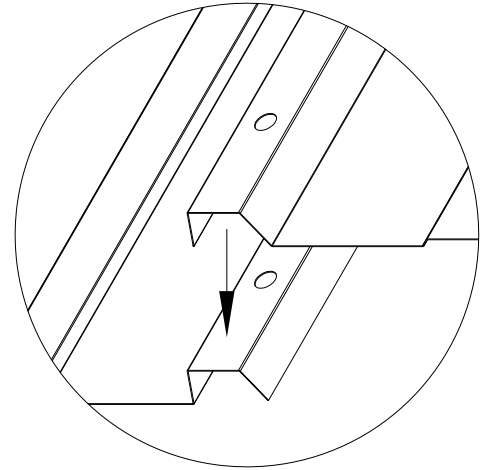
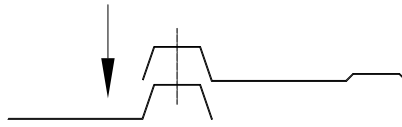


M6x28

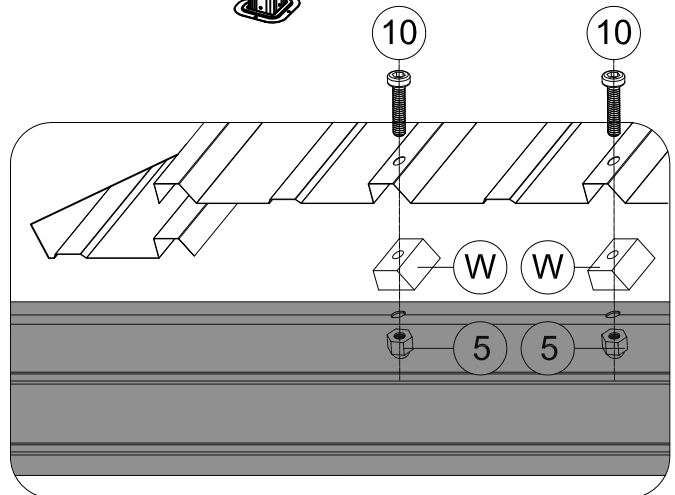
10 8x

ATTENTION: The bigger roof panel need to cover the smaller one.

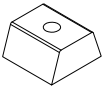
(1) Insert Part #M1 and Part #M2 into the frame.



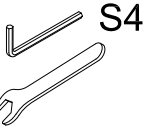
(2) Place 2 Part #W between roof panels and beams. Then secure with 2 Bolts #10 and 2 Nuts #5.



(3) Repeat the above procedures to assemble #M5 & Part #M6 and the opposite side.



W 20x



1 1x



M6

5 16x



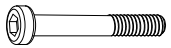
M6x25

9 4x



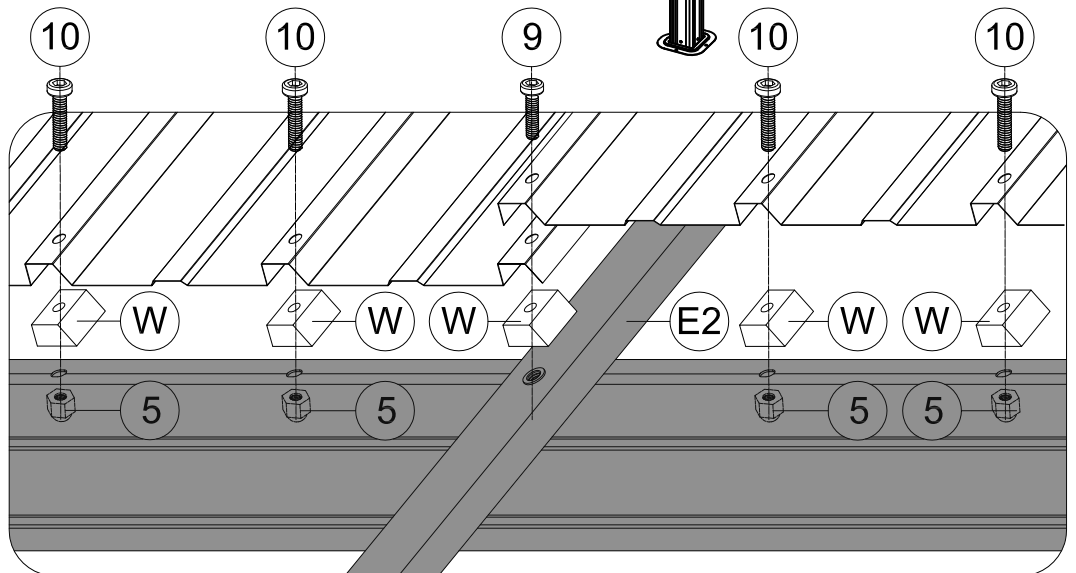
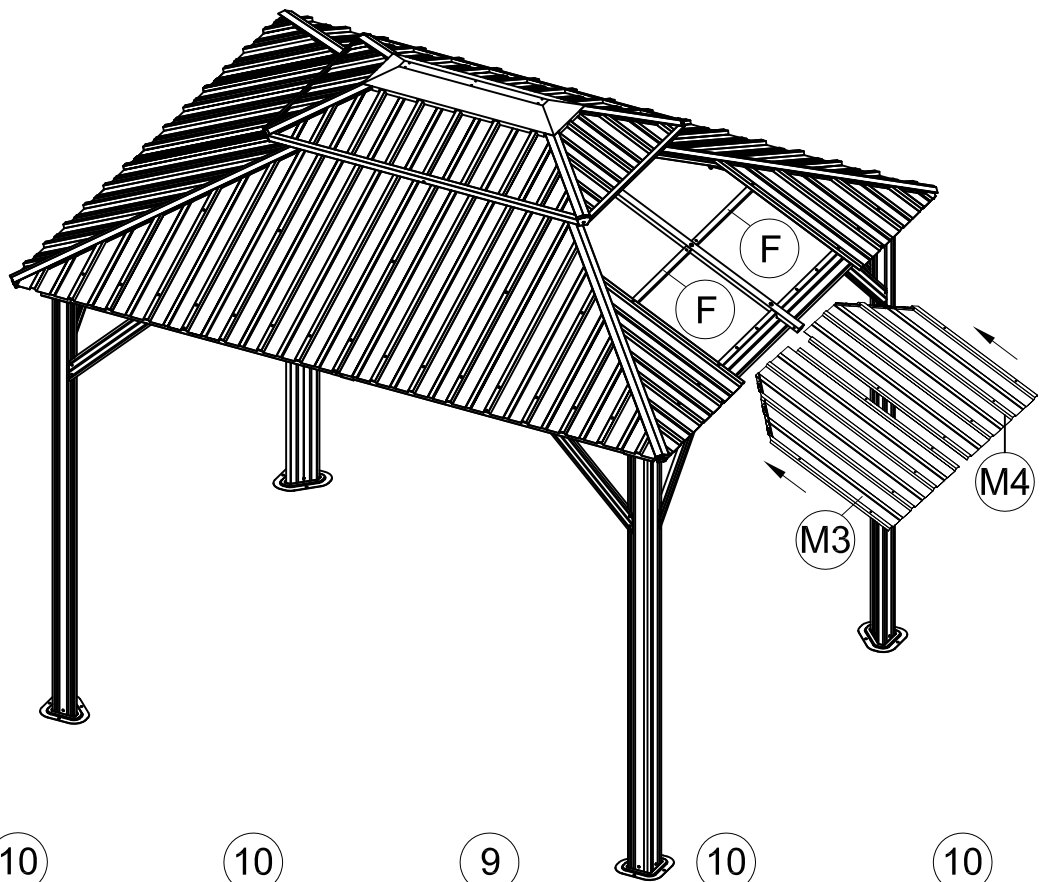
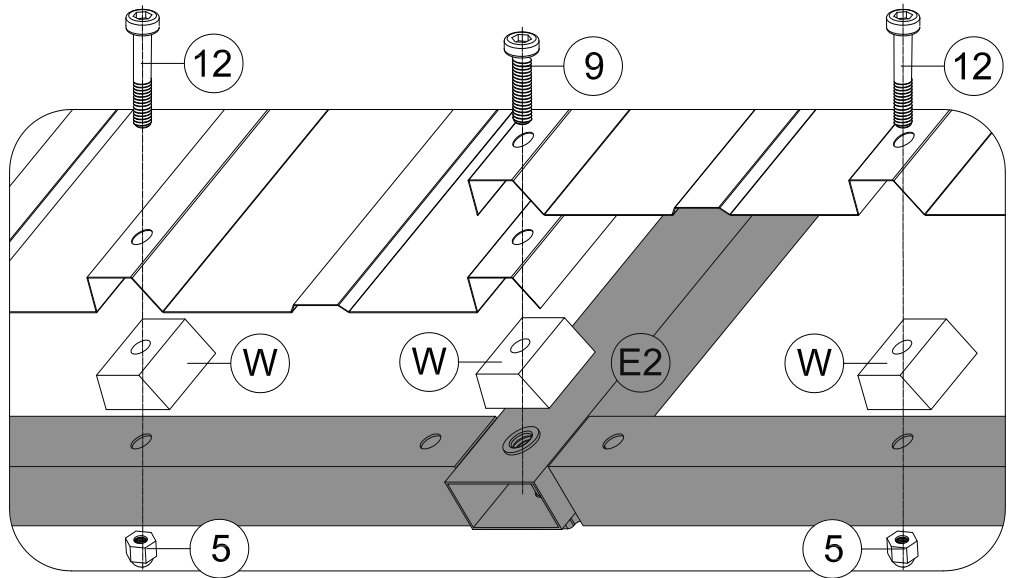
M6x28

10 12x



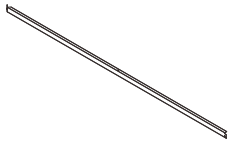
M6x50

12 4x

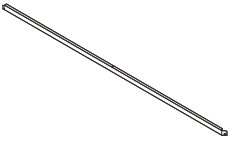


39-1

- (1) Insert Part #M3 and M4 into the frame.
- (2) Place 3 Part #W between roof panels and solidifying bars. Then secure with 2 Bolts #12, 2 Nuts #5 and 1 Bolts #9.
- (3) Place 7 Part #W between roof panels and beams. Then secure with 6 Bolts #10, 6 Nuts #5 and 1 Bolts #9.
- (4) Repeat the above procedures to assemble the opposite side.



(K2) 2x



(K3) 2x

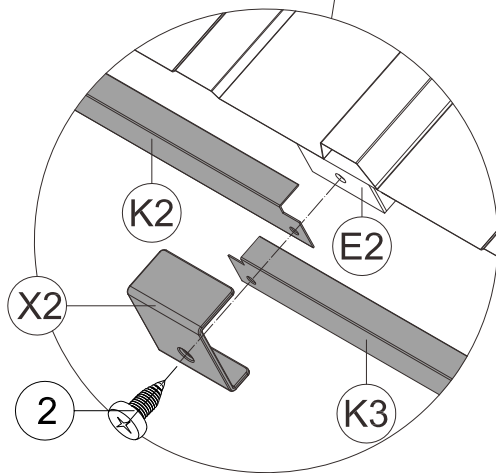
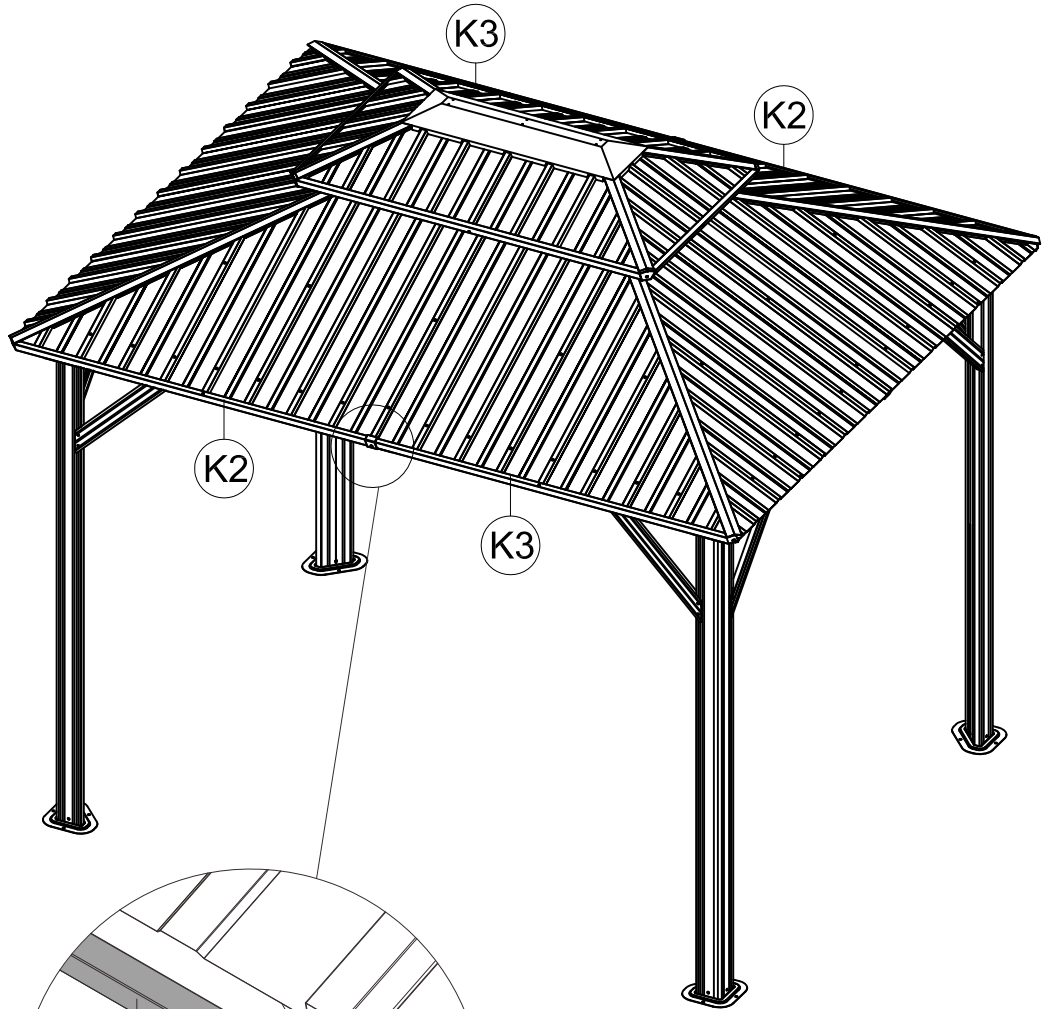


(X2) 2x



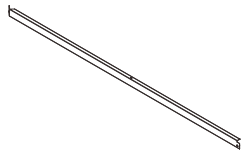
ST6.3x15

(2) 2x

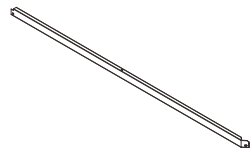


(1) Place Part #K2 and Part #K3 on Part #E2;
Put on Part #X2 and secure with Screw #2.

(2) Repeat the above procedures to assemble the opposite side.



(K) 2x



(K1) 2x



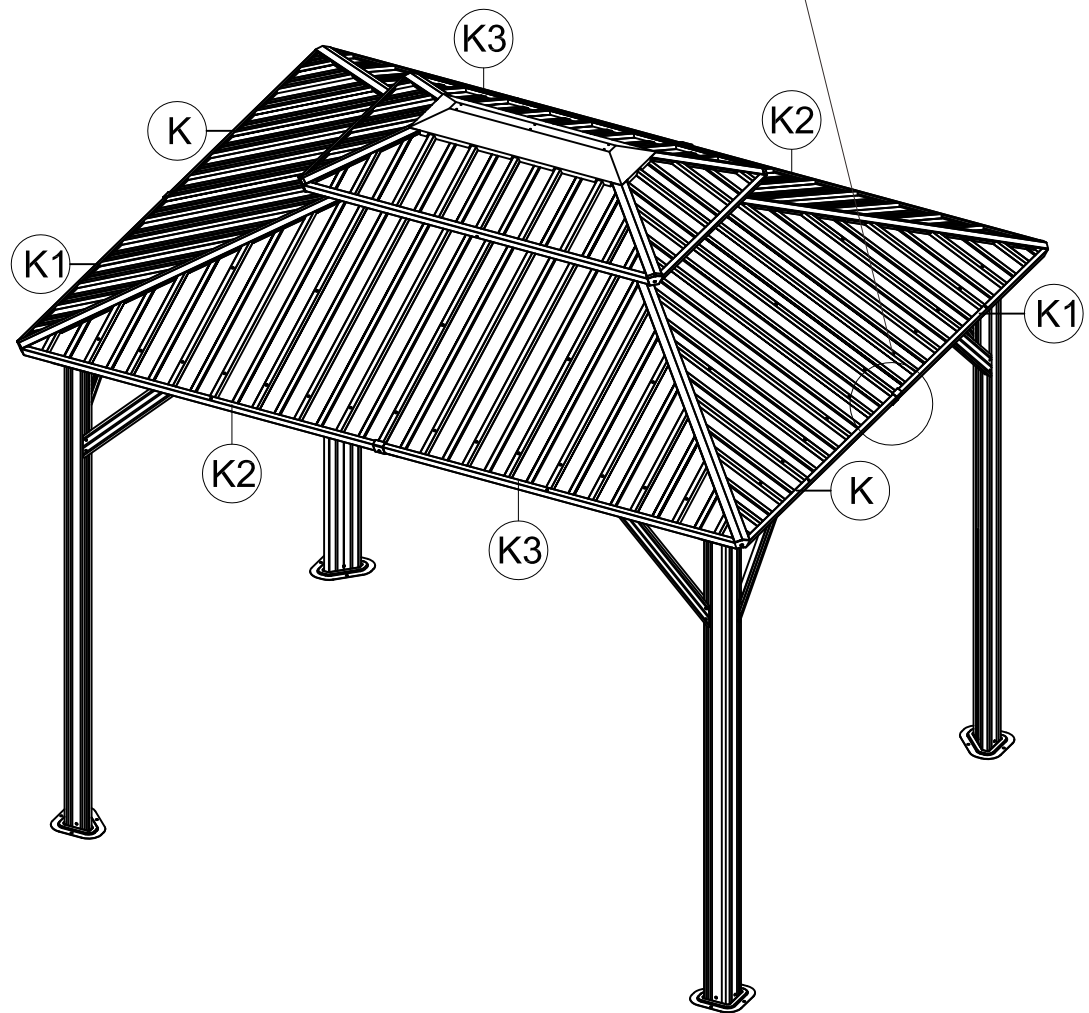
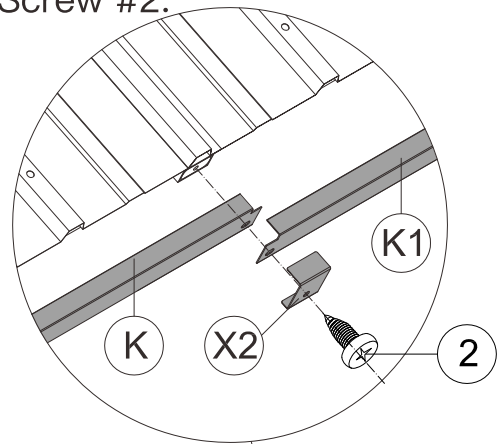
(X2) 2x



ST6.3x15

(2) 2x

(1) Place Part #K and Part #K1 on Part #E2;
Put on Part #X2 and secure with Screw #2.



(2) Repeat the above procedures to assemble the opposite side.

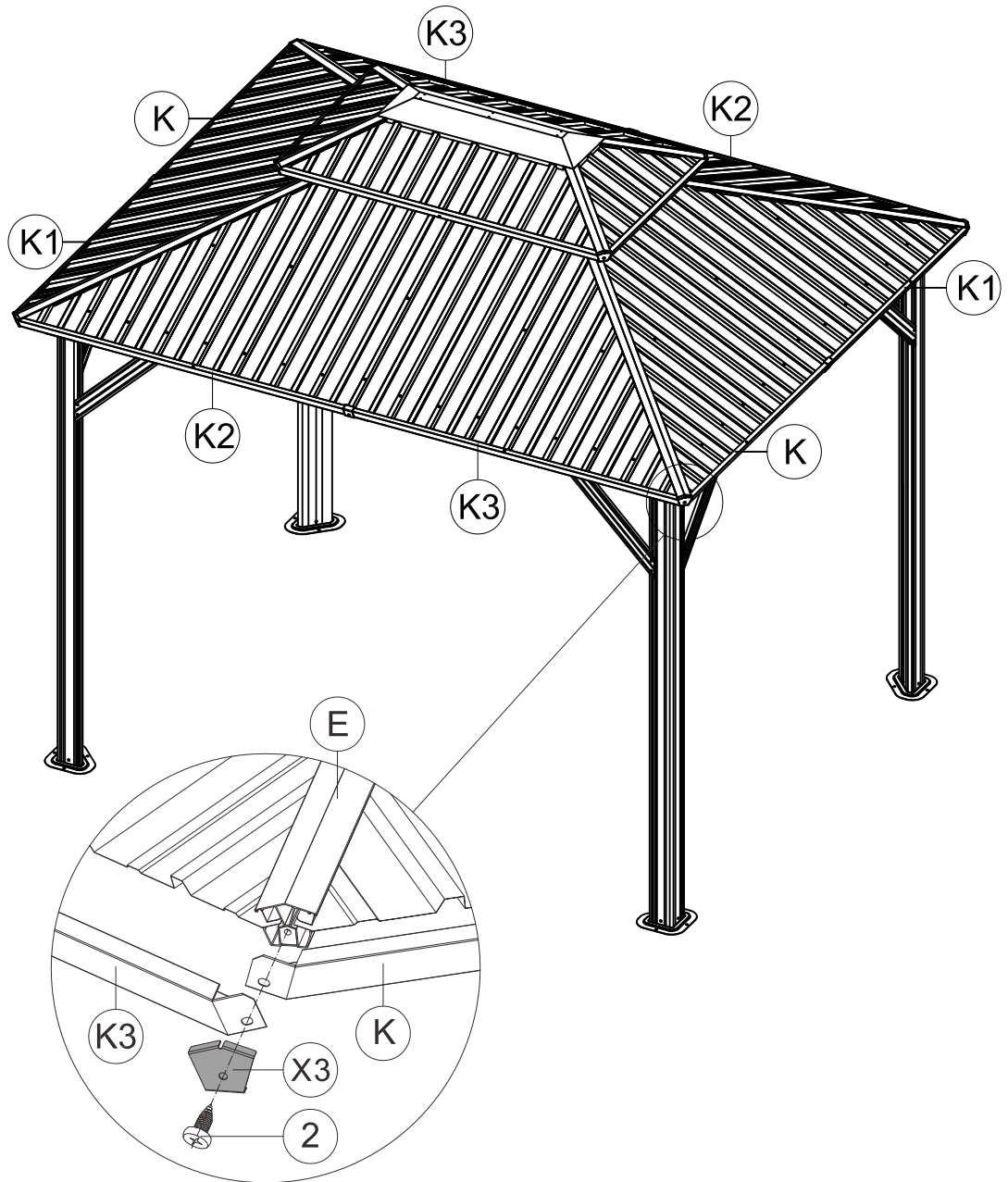


X3 4x



ST6.3x15

2 4x



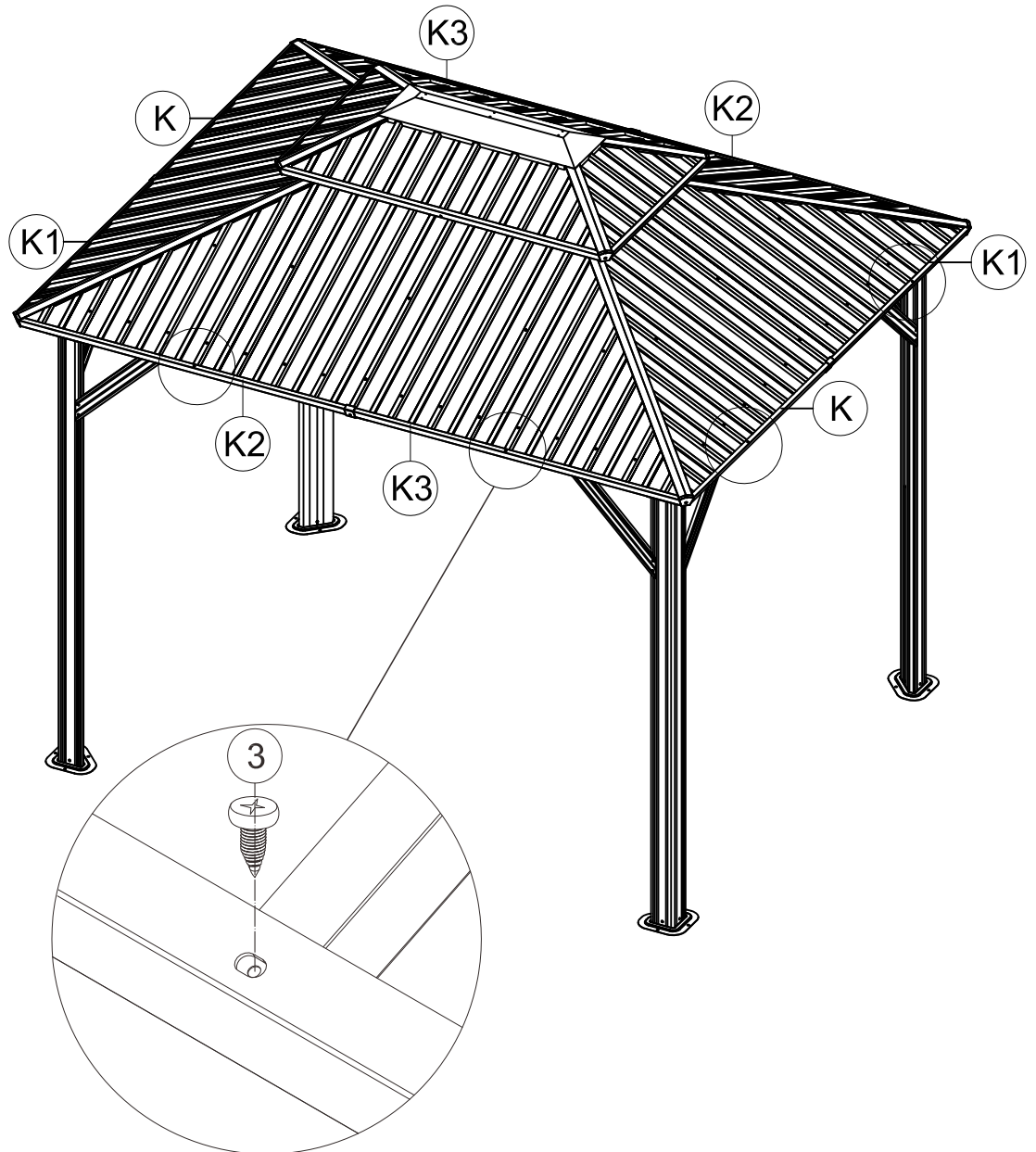
(1) Place Part #K3 and Part #K on Part #E;
Put on Part #X3 and secure with Screw #2.

(2) Repeat the above procedures to assemble the other 3 corners.



ST5x16

3 8x



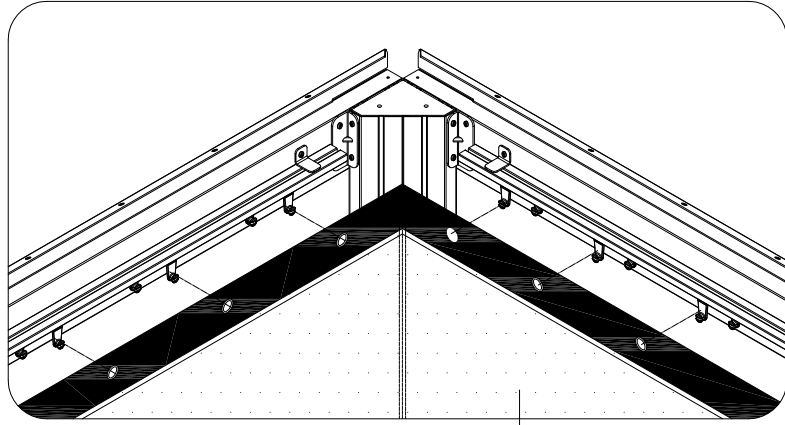
(1) Attach roof panels to finishing bars with 2 Screws #3.

(2) Repeat the above procedures to assemble the other 3 sides.

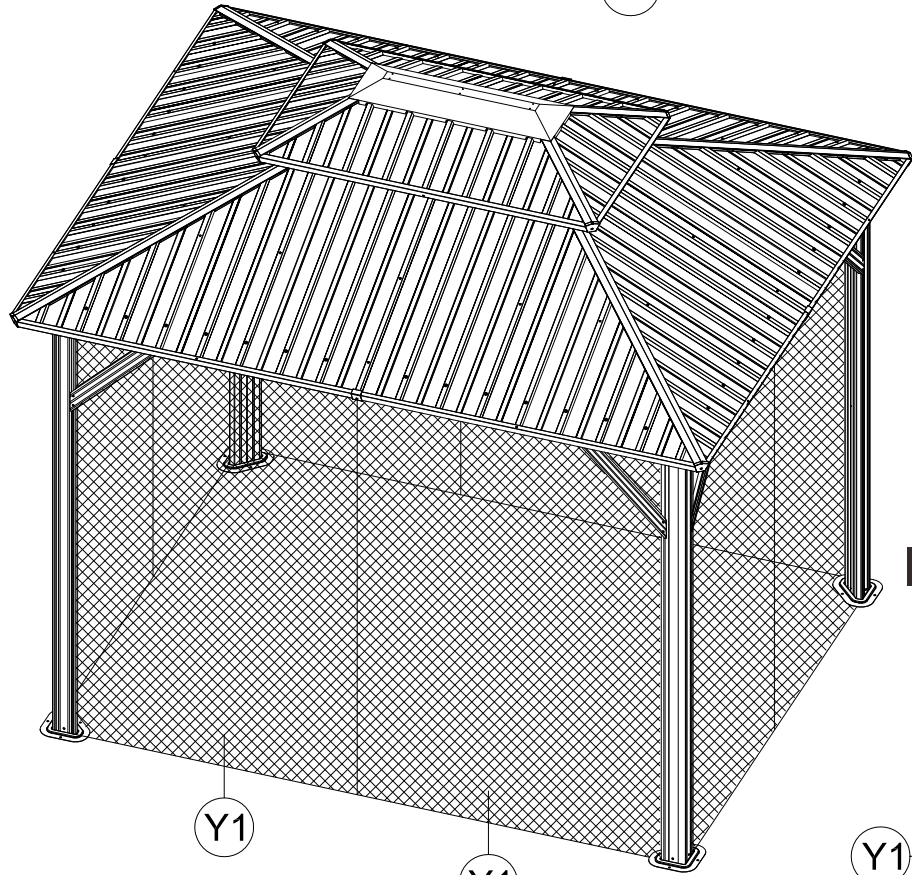


Hang up Mosquito Netting to Inside Track.

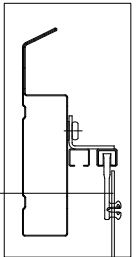
Y1 4x



Y1



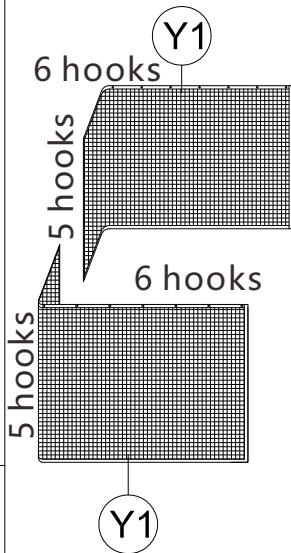
Inside Track



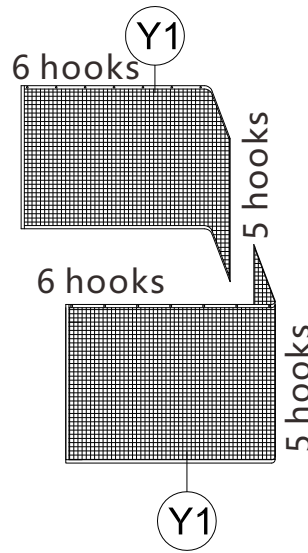
Y1

Y1

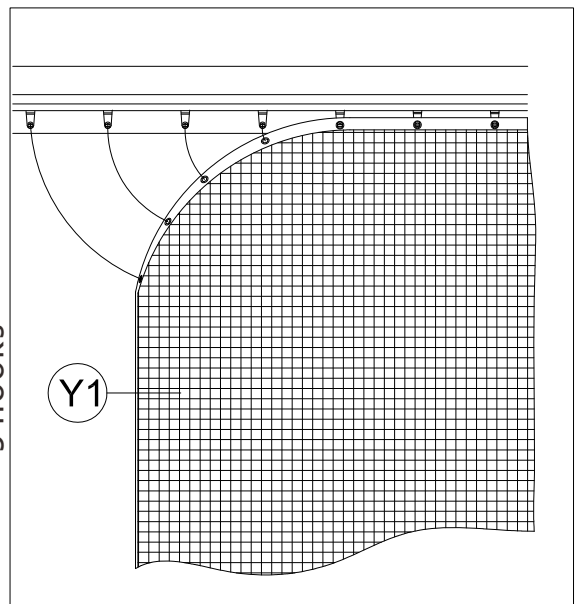
Y1



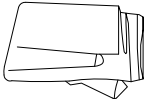
Y1



Y1

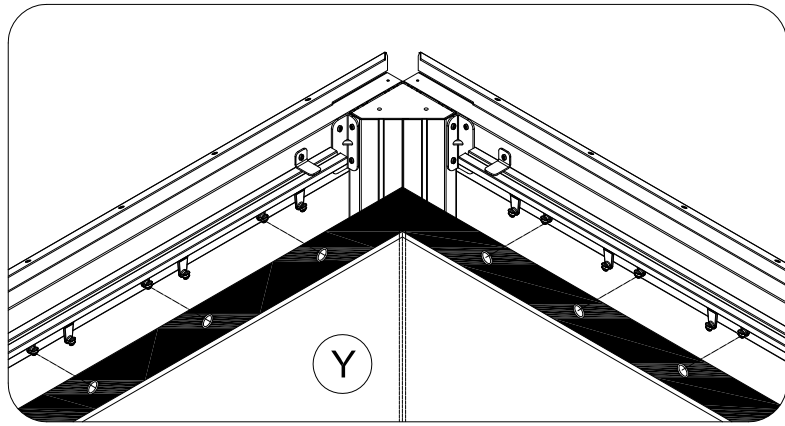


Y1

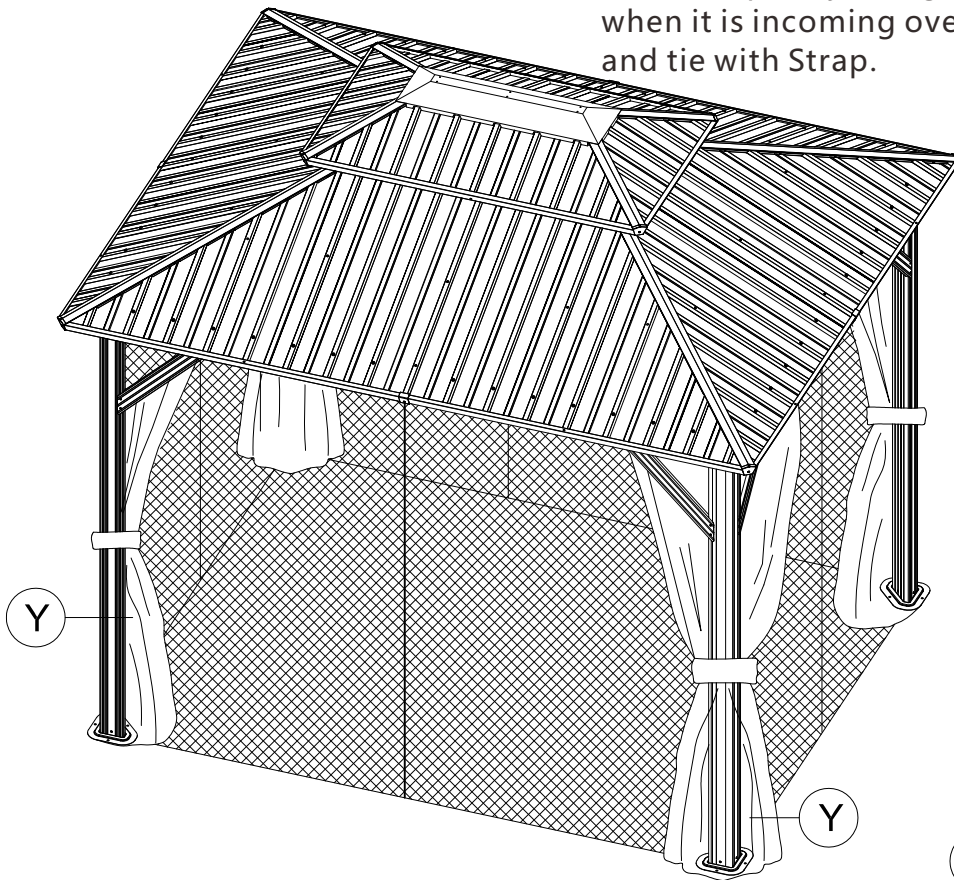


Y 4x

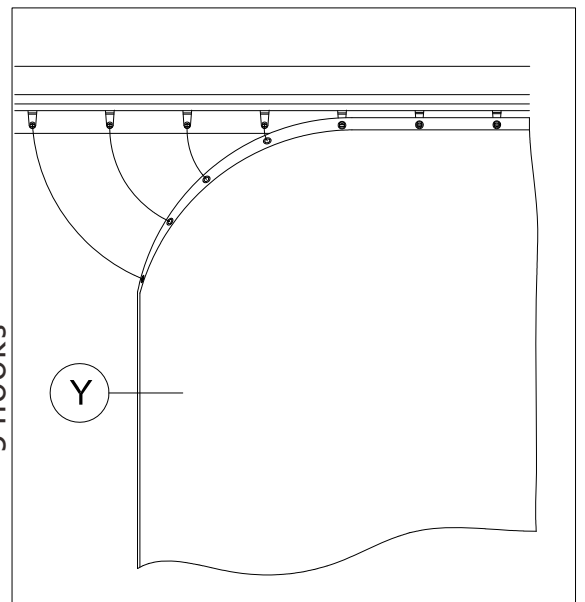
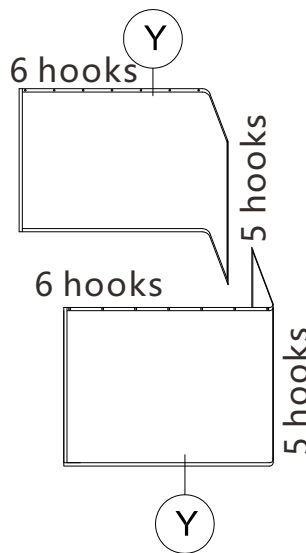
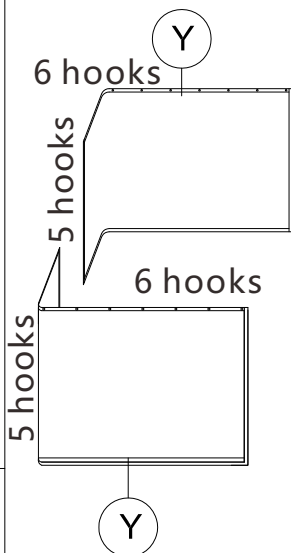
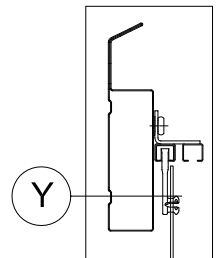
Hang up Curtains to Outside Track.



Please open your gazebo curtain when it is incoming over 30 mph wind, and tie with Strap.



Outside Track





Thanks for your purchase.

At domi outdoor living, we believe in our products.

That's why we provide a 12-month warranty and friendly, easy-to-reach after-sales service. So, if you have any questions about our product or assembly, please feel free to contact us. We are here for you.

Support:  

After-sales contact email:

service@domioutdoorliving.com

Business cooperation contact email:

marketing@domioutdoorliving.com

Please have your order ID available if you reach out for support.

If you have damaged parts or product, please send us photos for an immediate response.