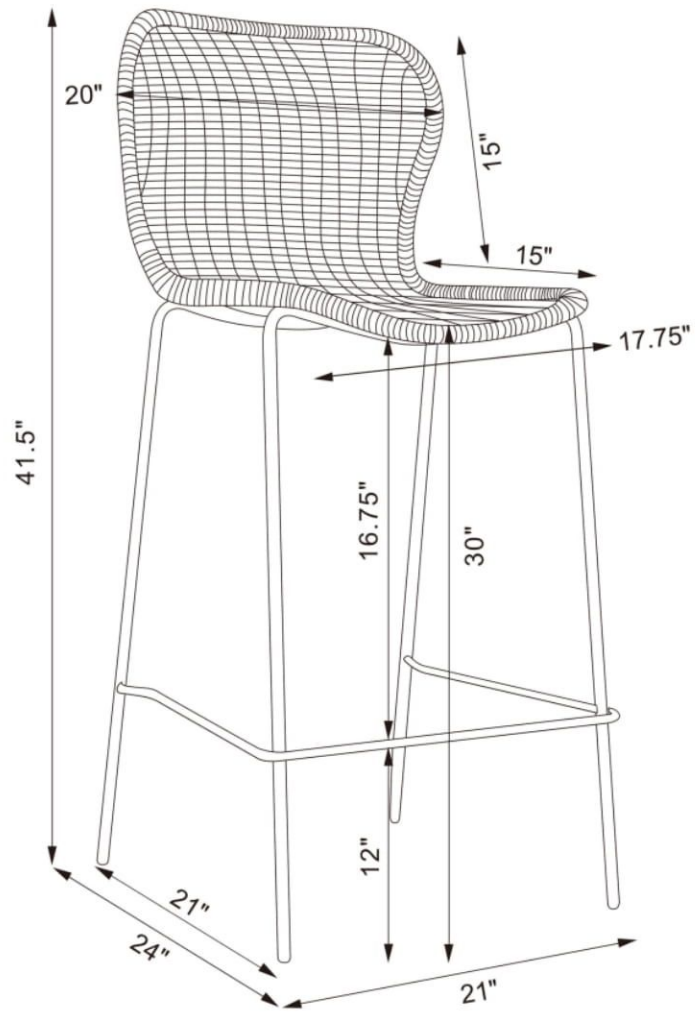


ASSEMBLY INSTRUCTIONS



Furniture for every stage of life

BAR STOOL



Note: Dimension tolerance $\pm 5\%$