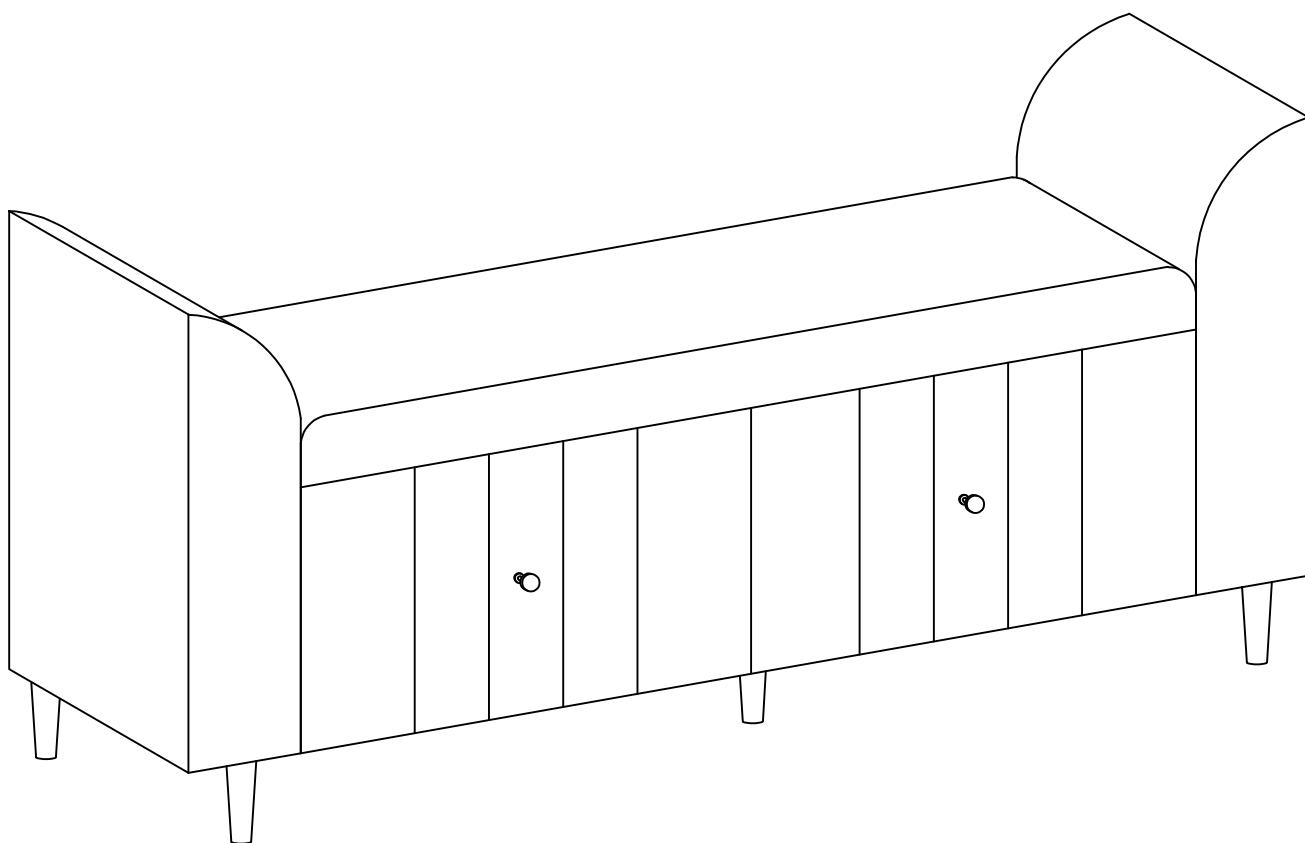
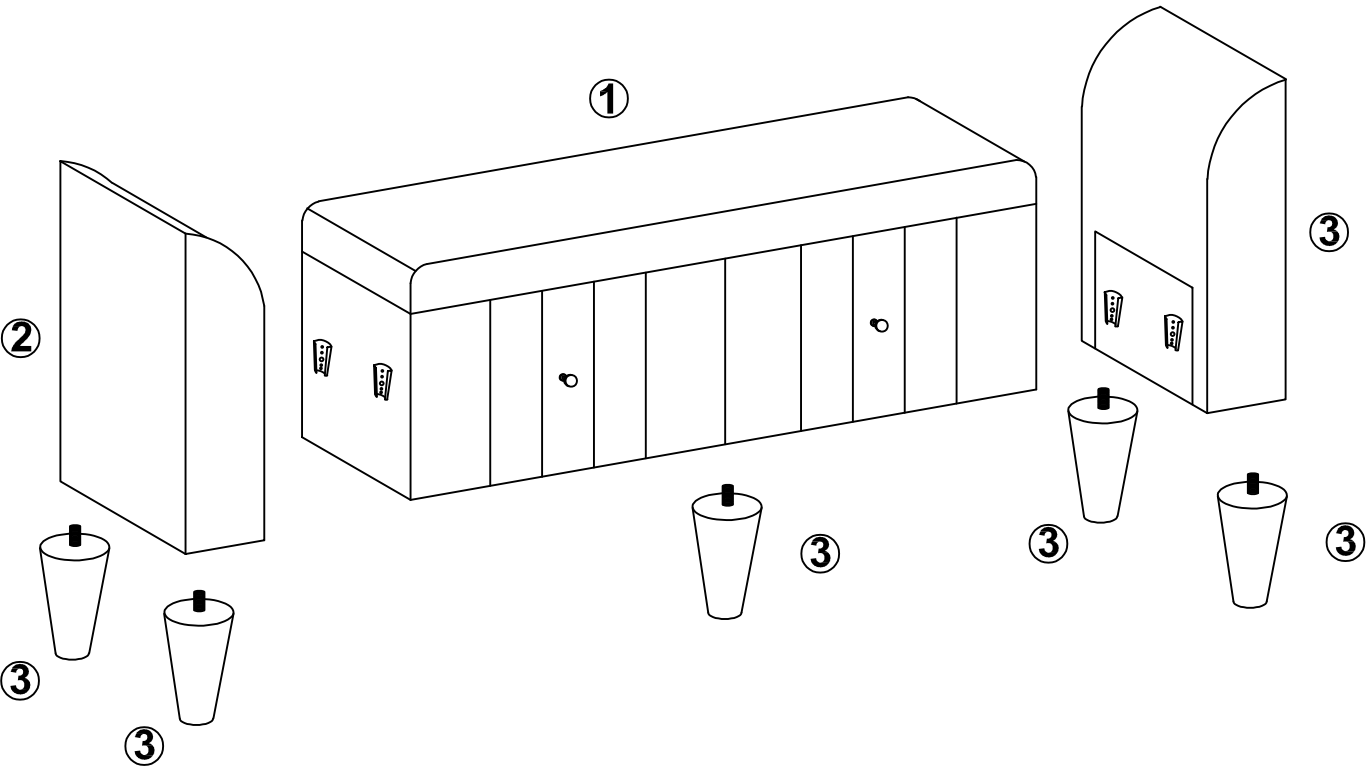


ASSEMBLY INSTRUCTIONS

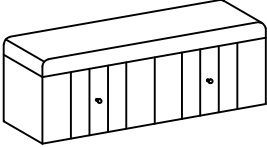
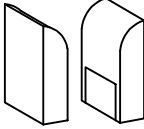
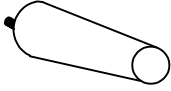


WF295453

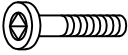

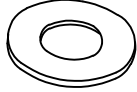
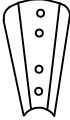
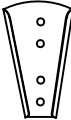
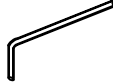
Detail View



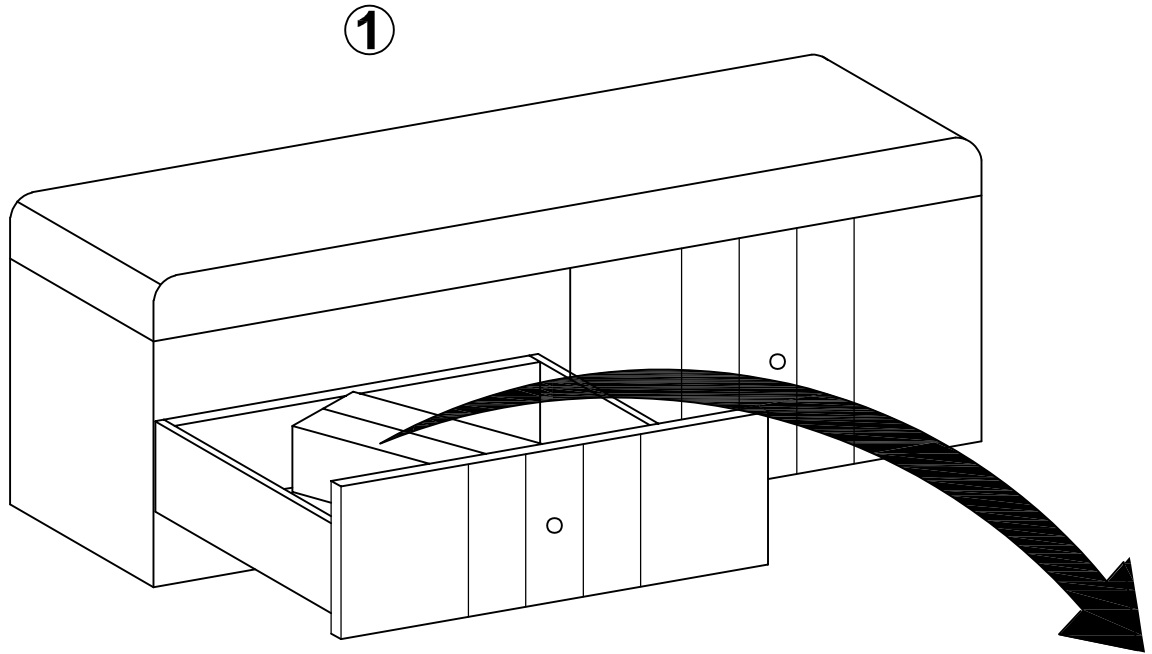
Part List & Hardware List (WF295453)

1 	2 	3 
Bench - 1pc	Arm - 2pcs	Legs - 4pcs

Hardware List (WF295453)

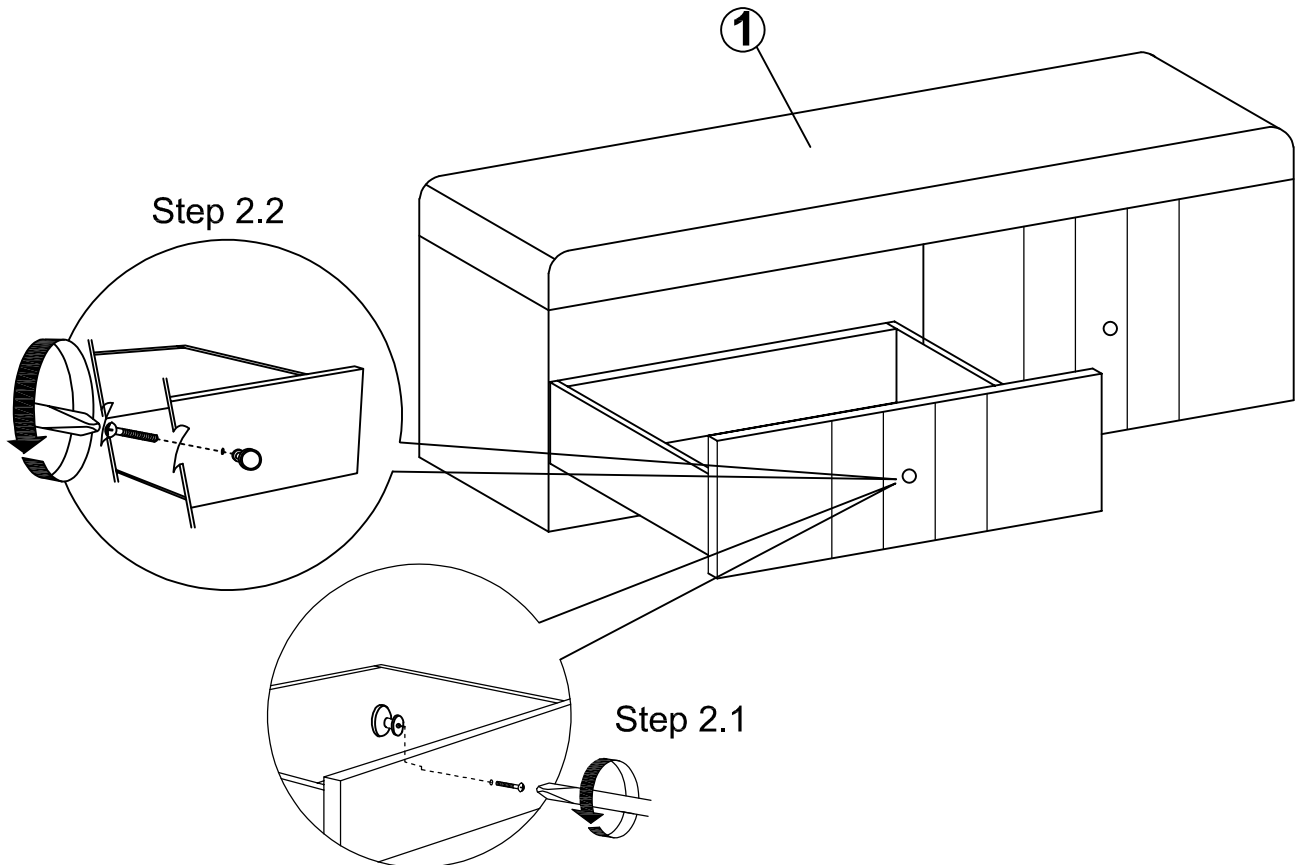
A  <p>Ø1/8"*30mm</p>	B  <p>M6</p>	C  <p>M6</p>
Hex-Head bolt (16pcs)	Spring Washer (16pcs)	Flat Washer (16pcs)
D 	E 	F  <p>65mm</p>
Bracket (4pcs)	Bracket (4pcs)	Allen key (1pc)

Step 1:

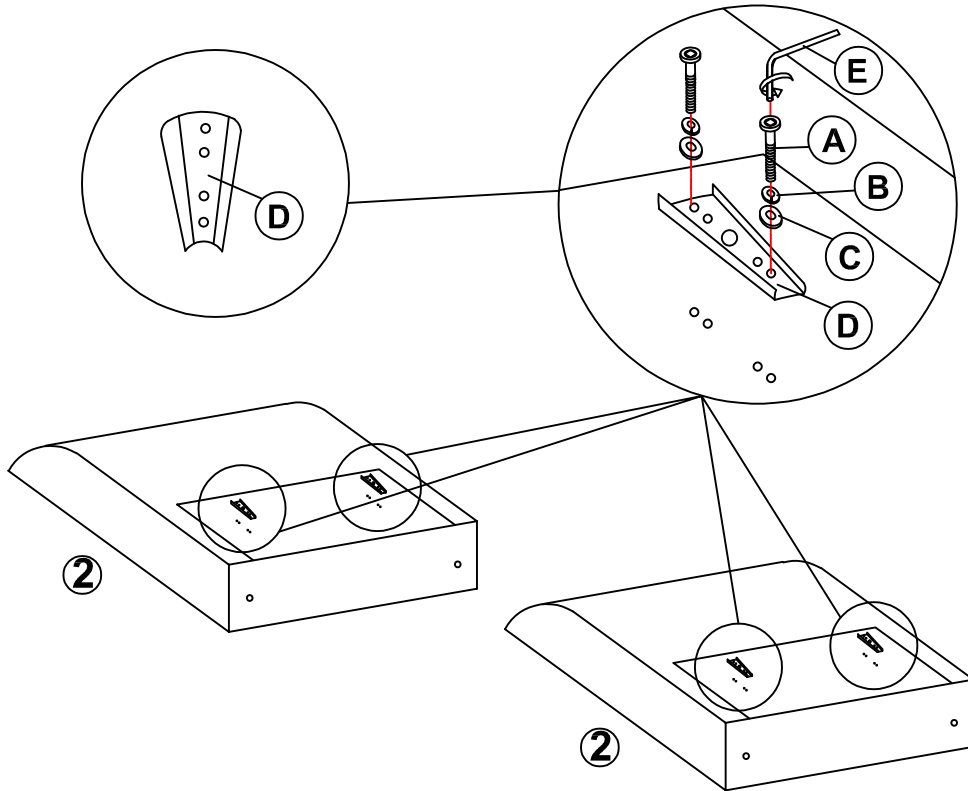


Take out the small carton to assemble !

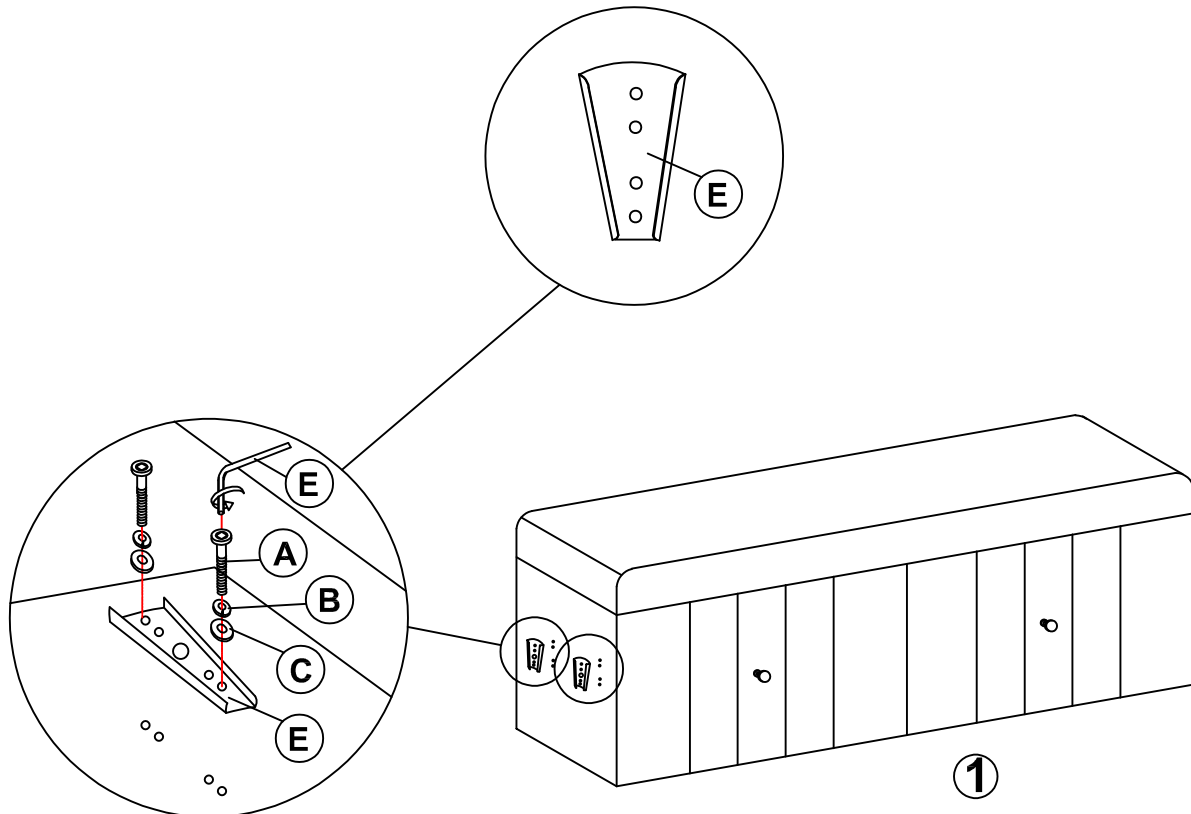
Step 2:



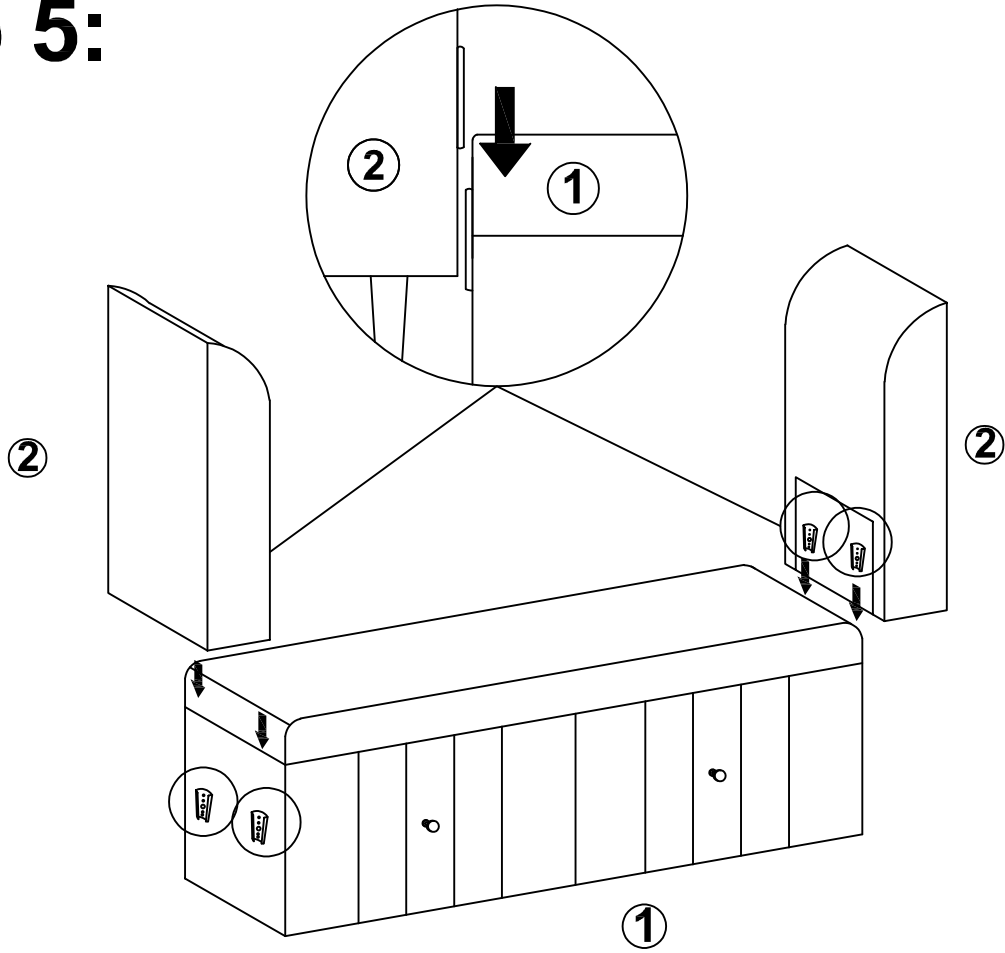
Step 3:



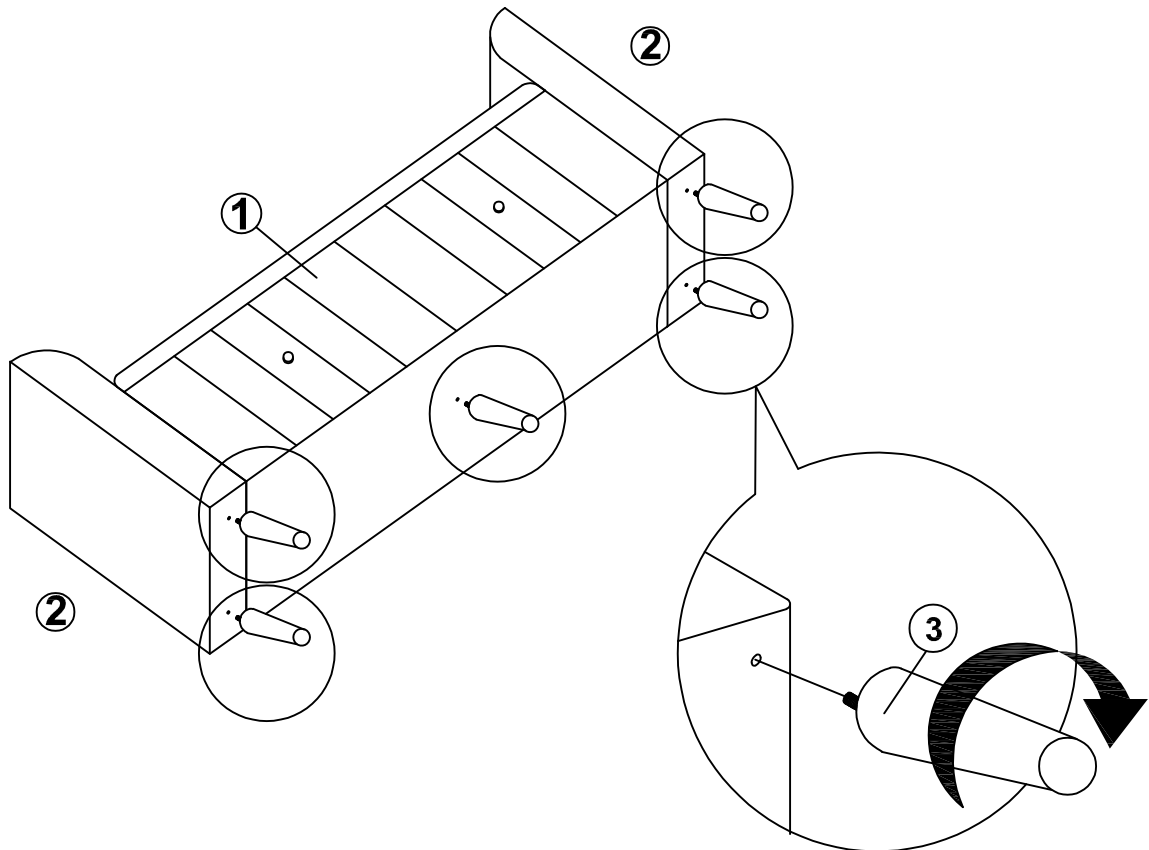
Step 4:



Step 5:



Step 6:



Step 7:

