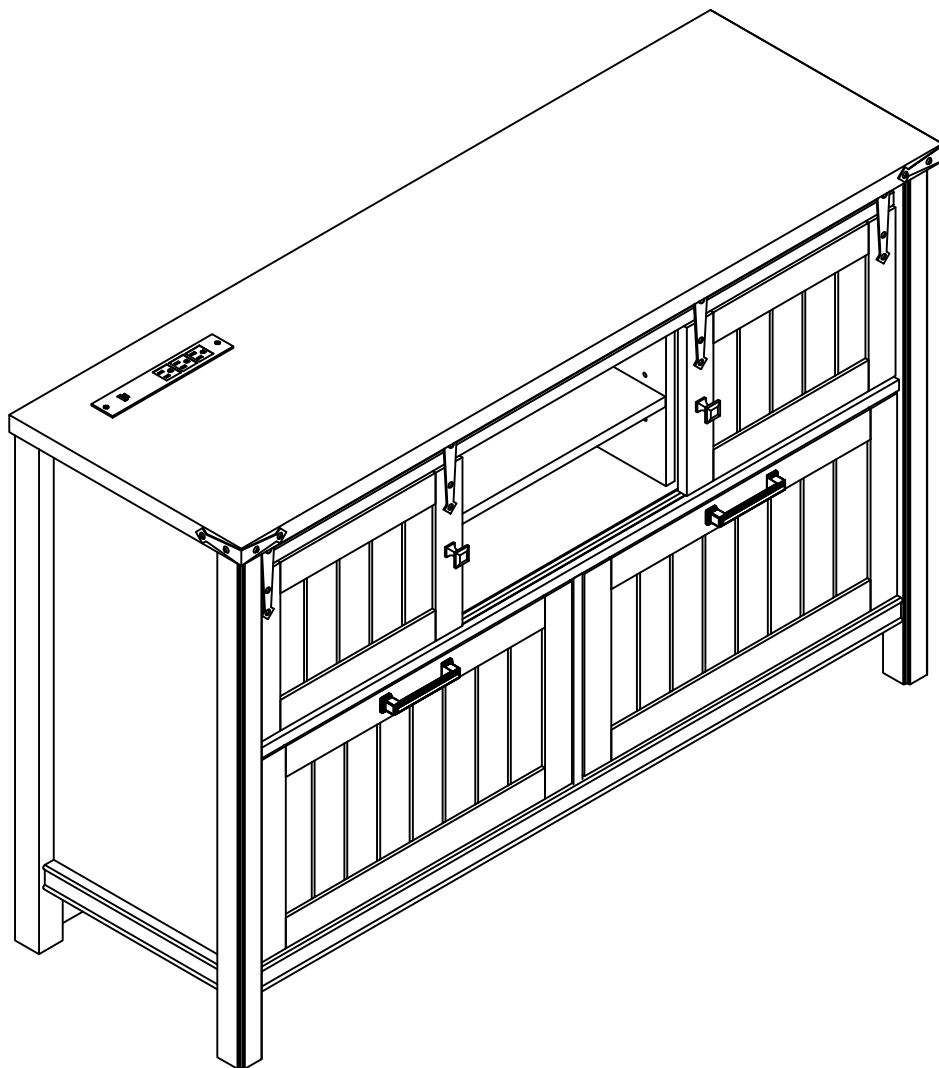


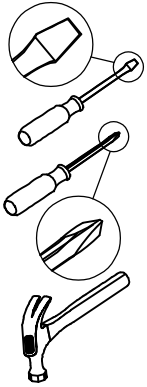
Installation & Assembly



As this item contains many parts, please read the installation instruction carefully before installation . Please use tools properly and carefully. If you have any questions about the product and installation, please contact us.

Our professional after-sales team will serve you online all day.

Before You Start



- ✓ Read through each step carefully and follow the proper order
- ✓ Separate and count all your parts and hardware
- ✓ Give yourself enough room for the assembly process
- ✓ Have the following tools: Flat Head Screwdriver, #2 Phillips Head Screwdriver and Hammer
- ✓ Caution: If using a power drill or power screwdriver for screwing, please be aware of to slow down and stop when screw is tight. Failure to do so may result in stripping the screw. (Assembly speed can be increased by using electric screwdriver)

Helpful Hints

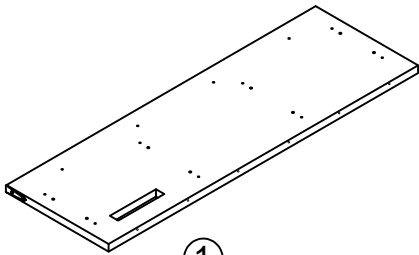
PEOPLE NEEDED FOR ASSEMBLY: 1-2

- Open your item in the area you plan to keep it to avoid excessive heavy lifting.
- Identify, sort and count the parts before attempting assembly.
- Compression dowels are lightly tapped in with a hammer.
- Slides are labeled with an R (right) and L (left) for proper placement.
- Make sure to always face the point on the top of the Cam Lock towards the outer edge.
- If there is a back panel in the package, please install it to make sure your unit is complete and sturdy.
- Please fix all the screws provided for the back panel which can enhance product stability. If it is difficult to fix it when tightening, it can be fixed with the help of a hammer and then tightened.
- Do NOT use harsh chemicals or abrasive cleaners on this item.
- Never push, pull, or drag your furniture.



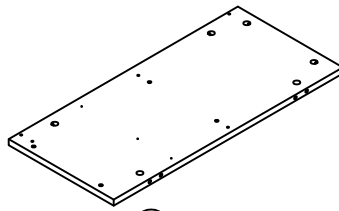
Board Identification

Not actual size



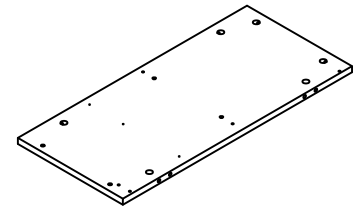
①

DESK TOP
Qty:1



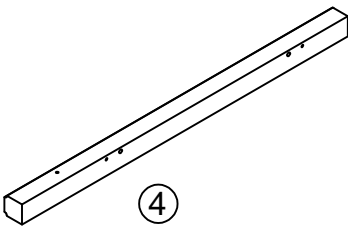
②

LOWER LEFT SIDE PANEL
Qty:1



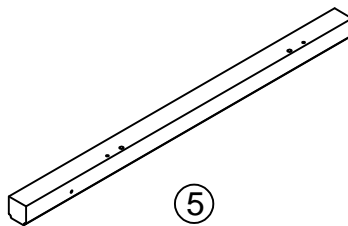
③

LOWER RIGHT SIDE PANEL
Qty:1



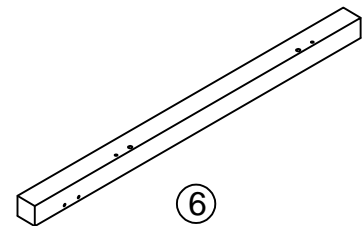
④

LEG
Qty:1



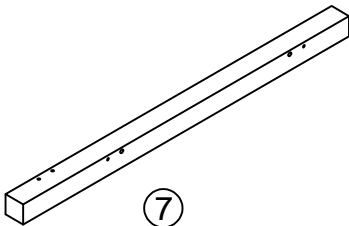
⑤

LEG
Qty:1



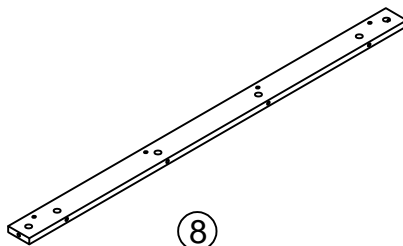
⑥

LEG
Qty:1



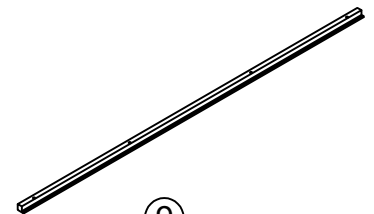
⑦

LEG
Qty:1



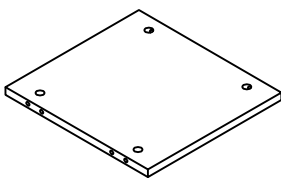
⑧

CABINET FRONT SLAT
Qty:1



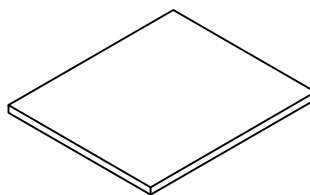
⑨

RAIL
Qty:1



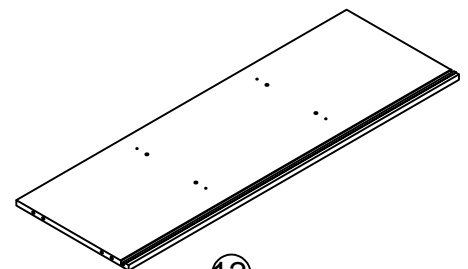
⑩

MIDDLE PANEL
Qty:2



⑪

SHELF
Qty:1

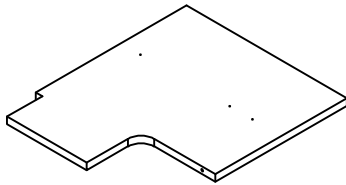


⑫

FIXED SHELF
Qty:1

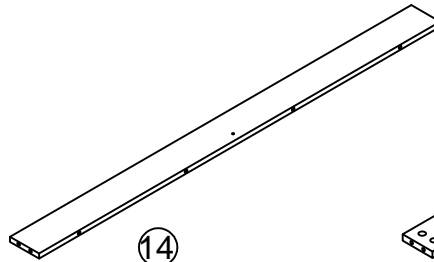
Board Identification

Not actual size



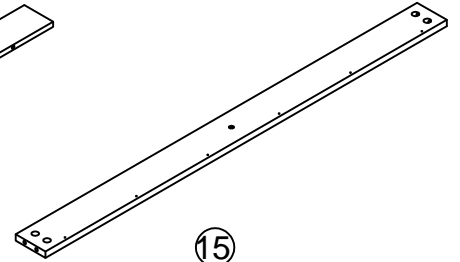
13

MIDDLE PANEL
Qty:1



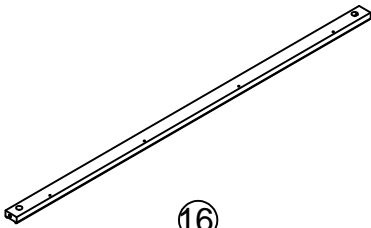
14

BOTTOM FRONT RAIL
Qty:1



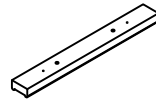
15

BOTTOM LINKING RAIL
Qty:1



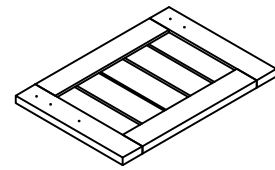
16

FILLER LATH FOR RUNNER
Qty:1



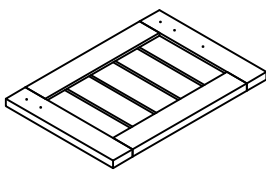
17

FILLER LATH FOR RUNNER
Qty:2



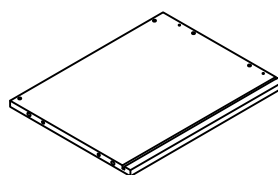
18

DOOR
Qty:1



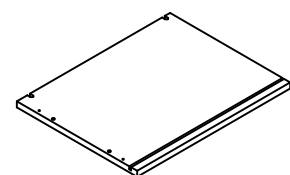
19

DOOR
Qty:1



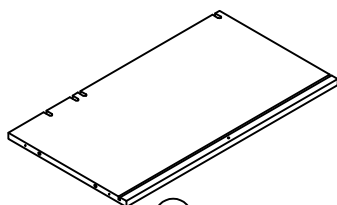
20

DRAWER LEFT SIDE PANEL
Qty:2



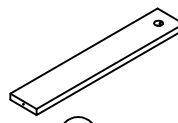
21

DRAWER RIGHT SIDE PANEL
Qty:2



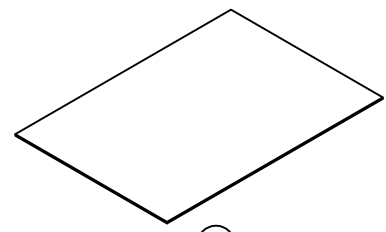
22

DRAWER BACK PANEL
Qty:2



23

DRAWER BOTTOM SLAT
Qty:2

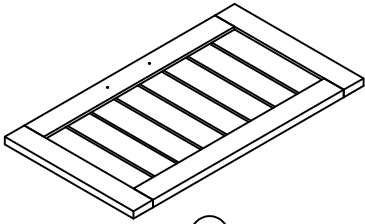


24

DRAWER BOTTOM PANEL
Qty:2

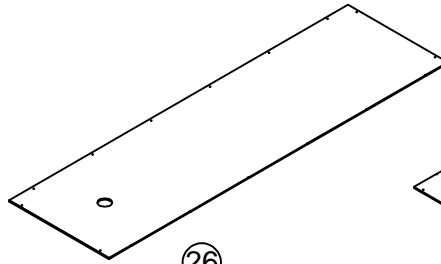
Board Identification

Not actual size



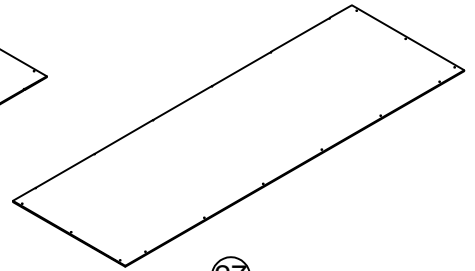
25

DRAWER FRONT PANEL
Qty:2



26

BACK PANEL
Qty:1

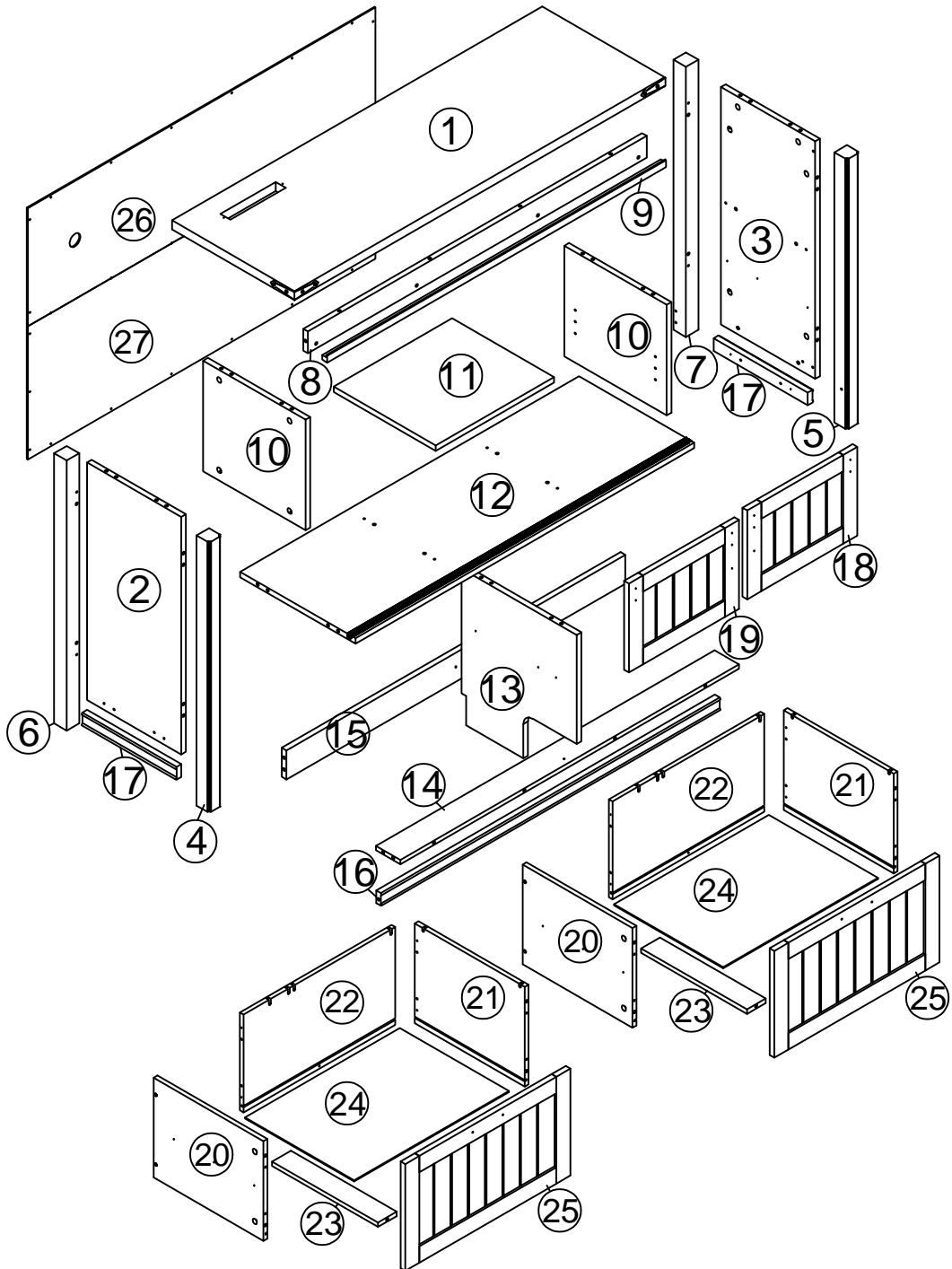


27

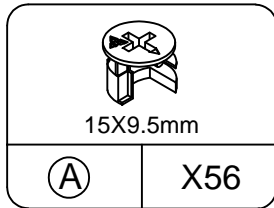
BACK PANEL
Qty:1

Board Identification

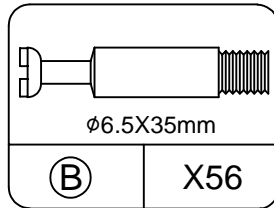
Not actual size



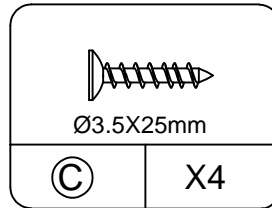
Part List



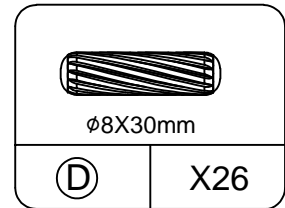
CAM LOCK
spare:3



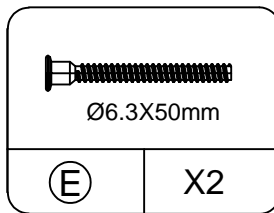
CAM BOLT
spare:3



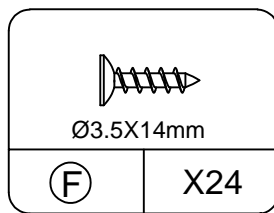
SCREW
spare:1



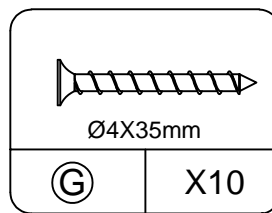
WOOD DOWEL
spare:2



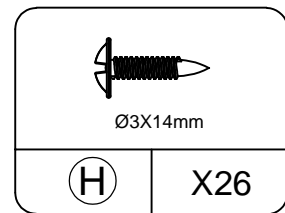
SCREW
spare:1



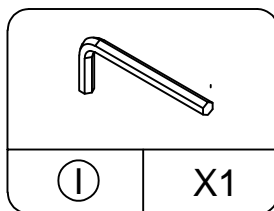
SCREW
spare:2



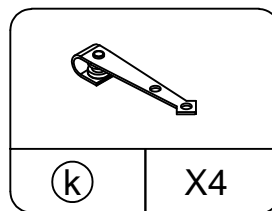
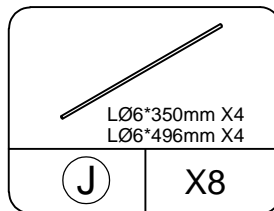
SCREW
spare:1



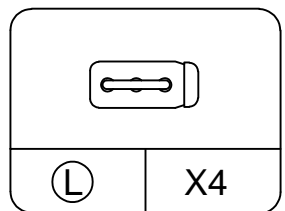
SCREW
spare:2



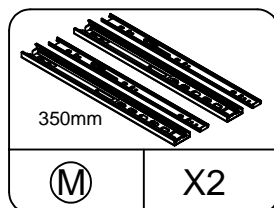
HEX KEY



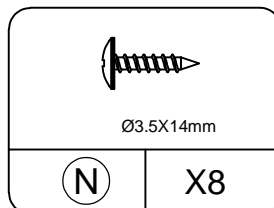
SLIDING DOOR WHEEL



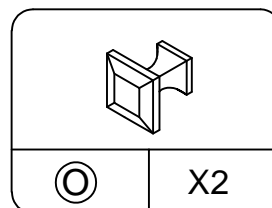
DOOR PIN



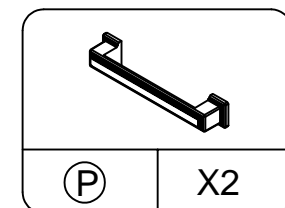
METAL SLIDE



SCREW
spare:1

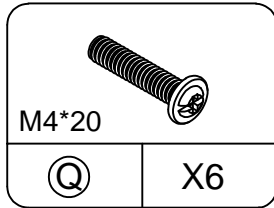


HANDLE

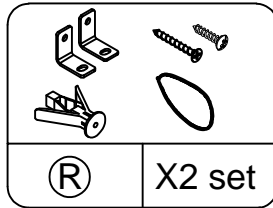


HANDLE

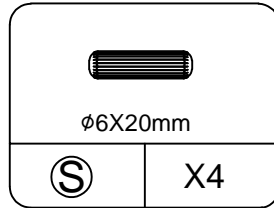
Part List



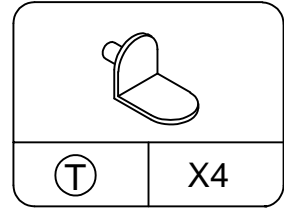
SCREW
spare:1



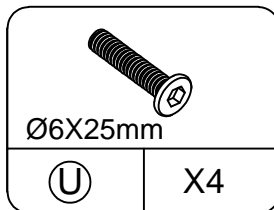
TIPPING RESTRAINT
HARDWARE KIT



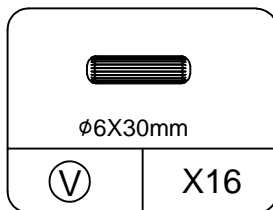
WOOD DOWEL
spare:1



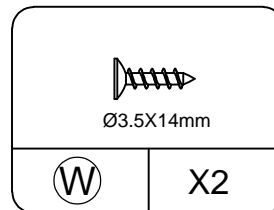
SHELF SUPPORT



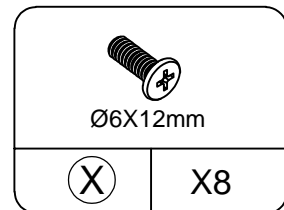
SCREW
spare:1



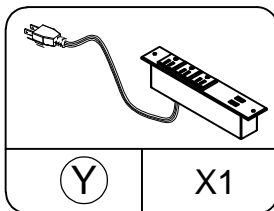
WOOD DOWEL
spare:2



SCREW
spare:1

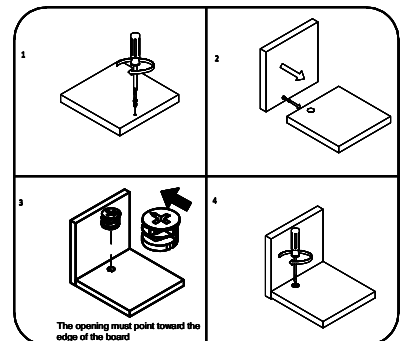


SCREW
spare:1

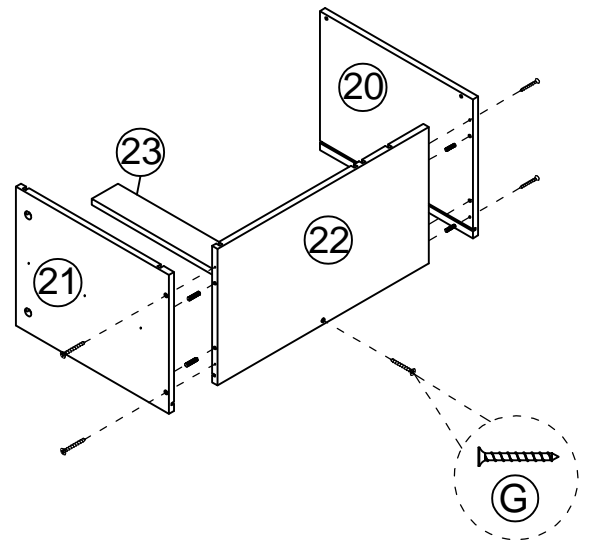
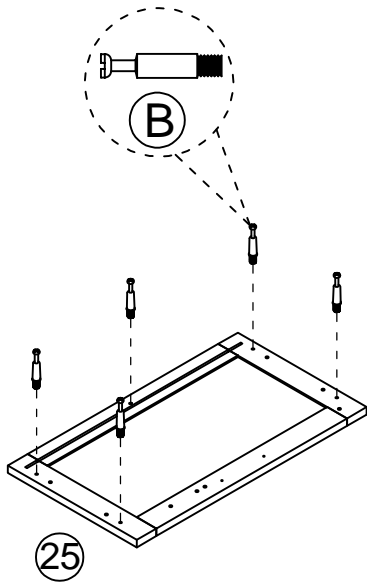
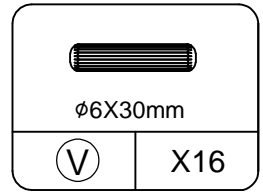
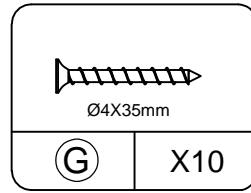
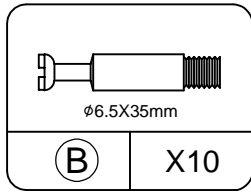
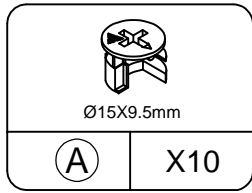
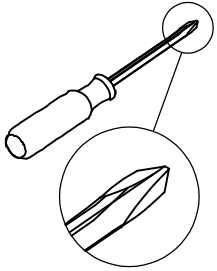


Insert the cam bolt into the hole first, then insert the cam lock and lock it.

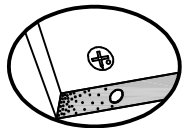
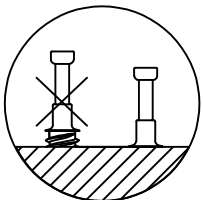
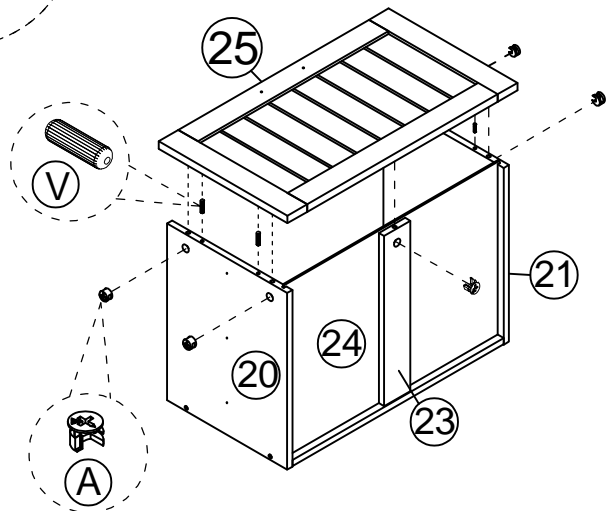
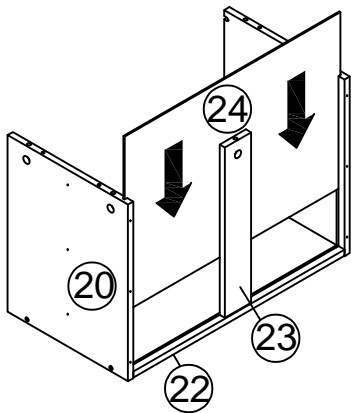
Cam Lock Fastening System



STEP 1



X 2



STEP 2

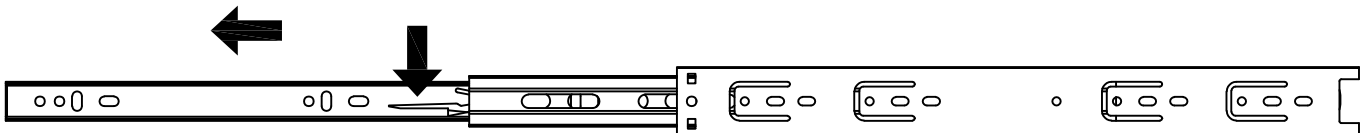
WARNING

How To SEPARATE BALL BEARING SLIDE.

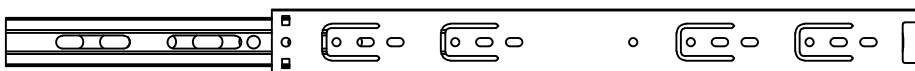
- 1) Pull toward arrow to open the slide until its stops and then flip it over.



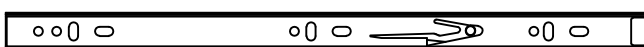
- 2) Push plastic lever down and pull apart.



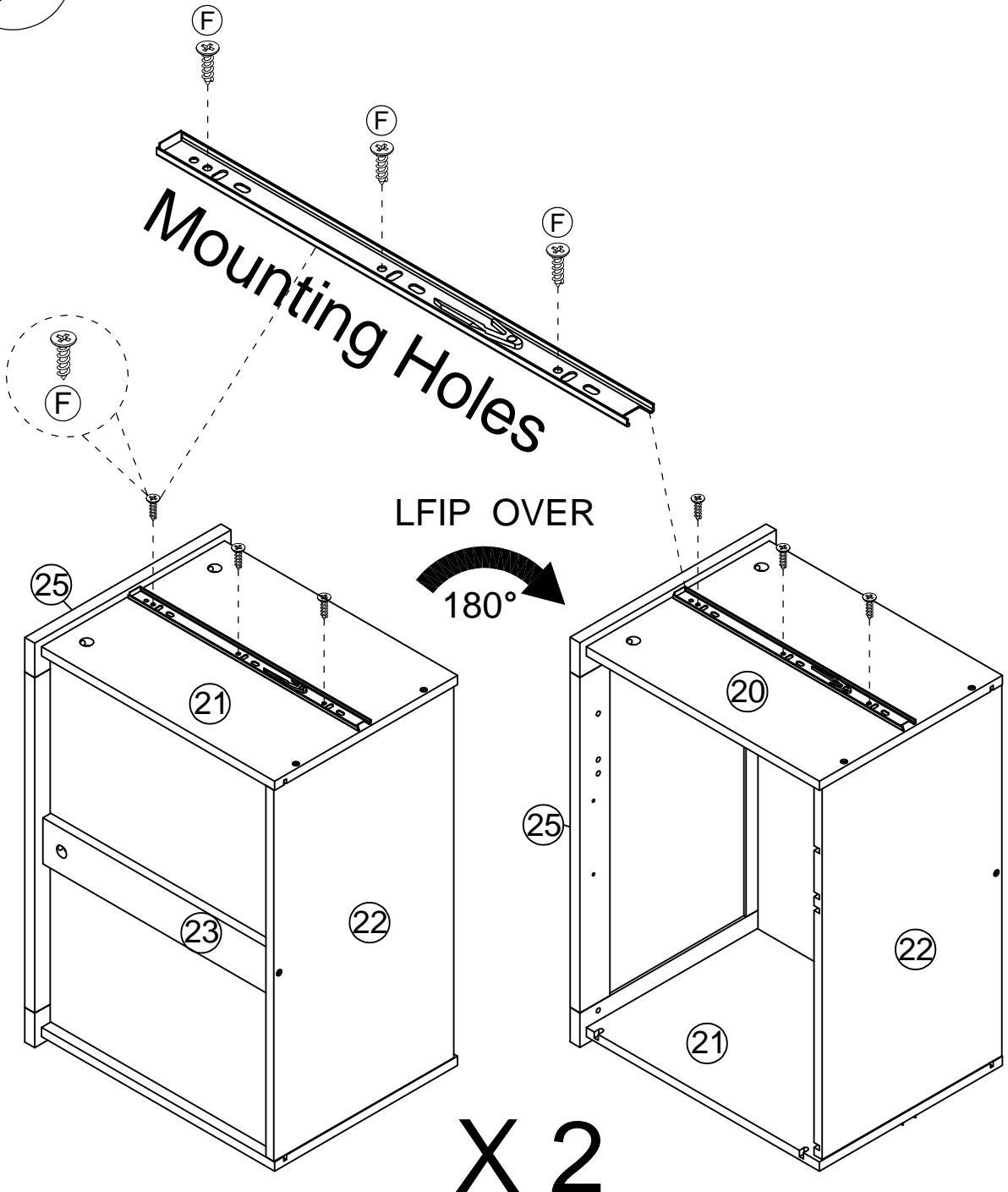
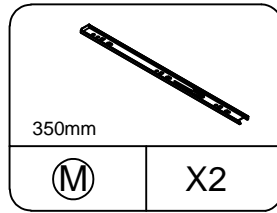
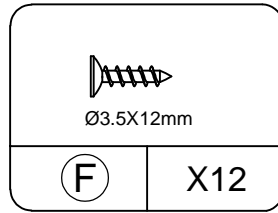
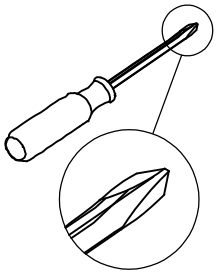
Cabinet member



Drawer member

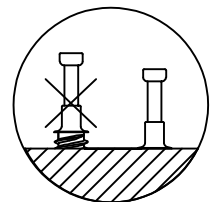
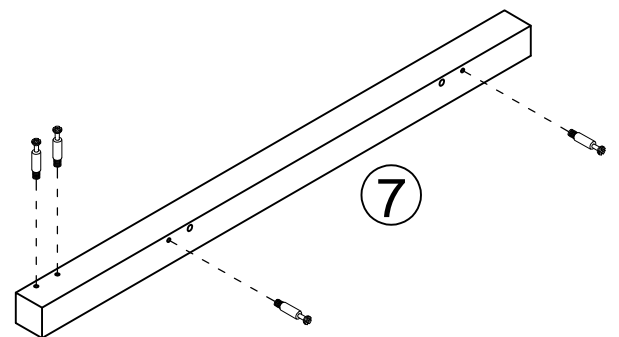
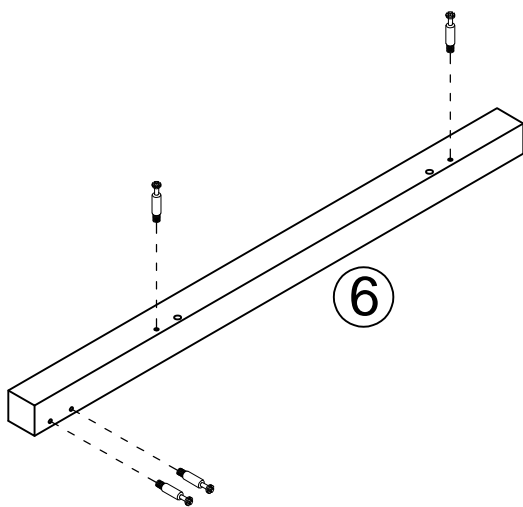
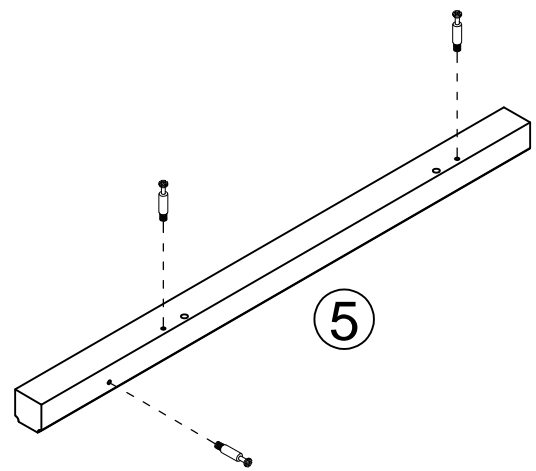
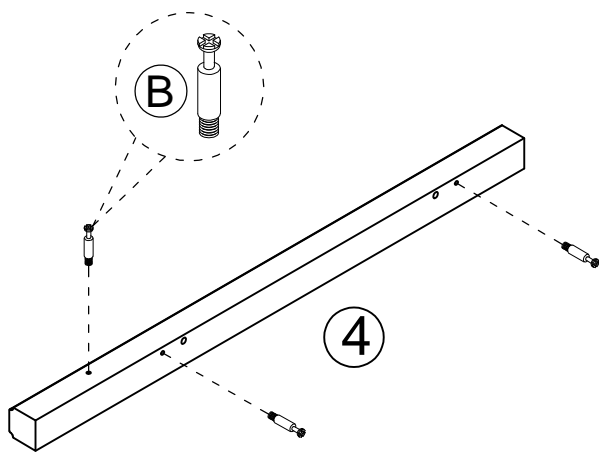
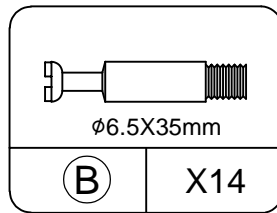
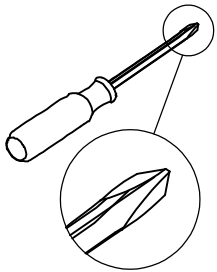


STEP 3

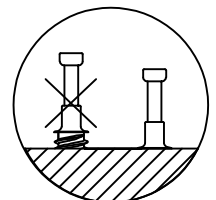
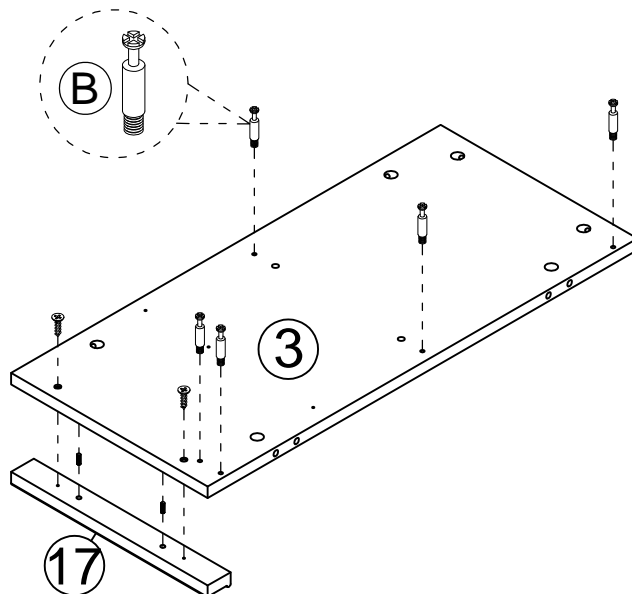
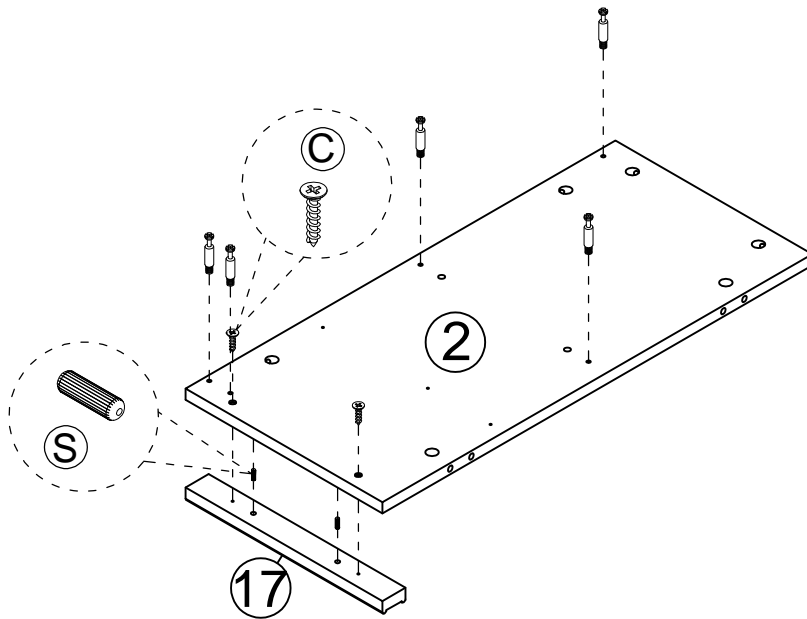
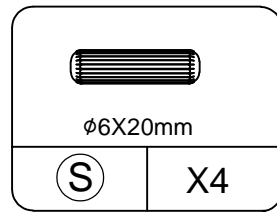
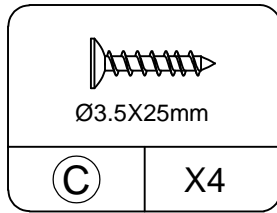
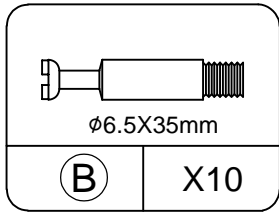
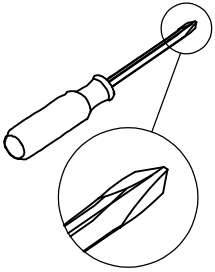


X 2

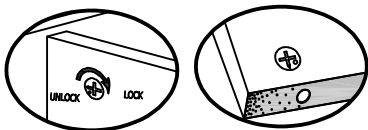
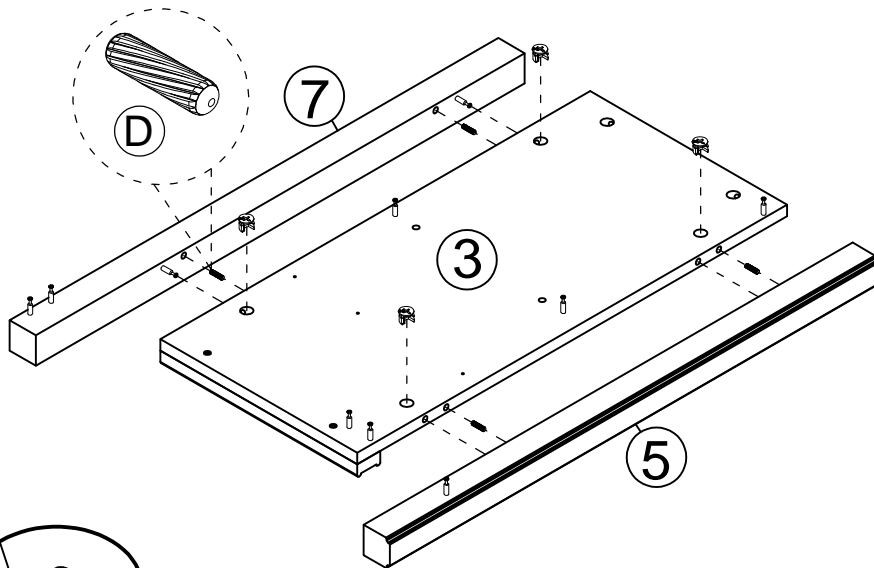
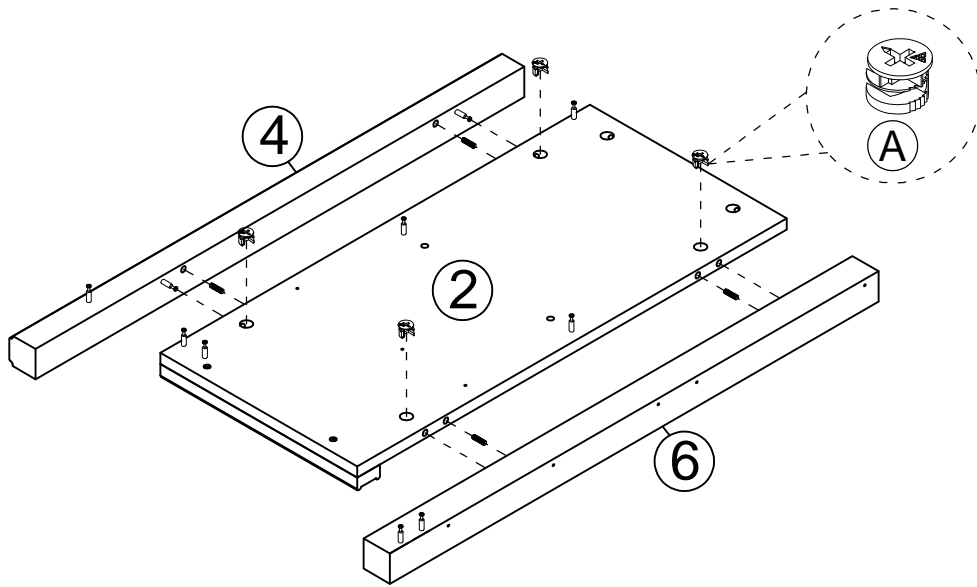
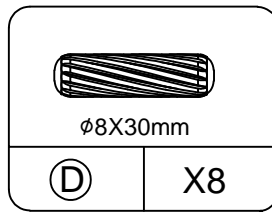
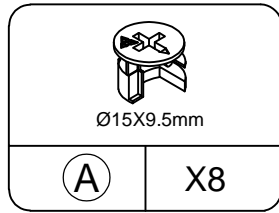
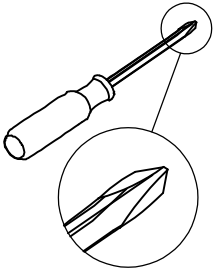
STEP 4



STEP 5

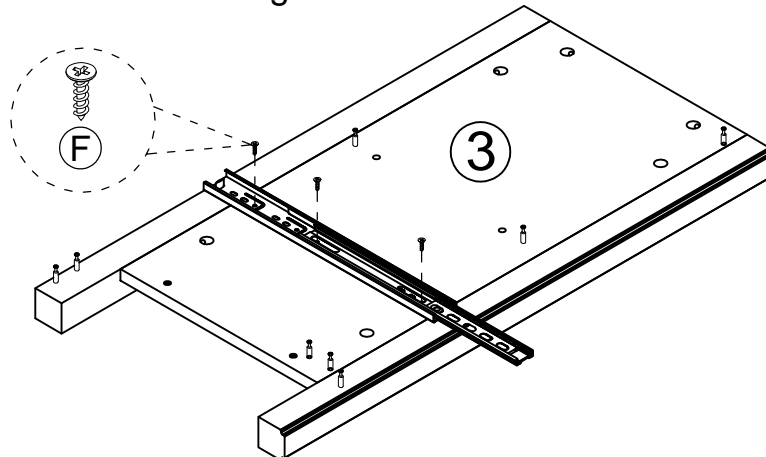
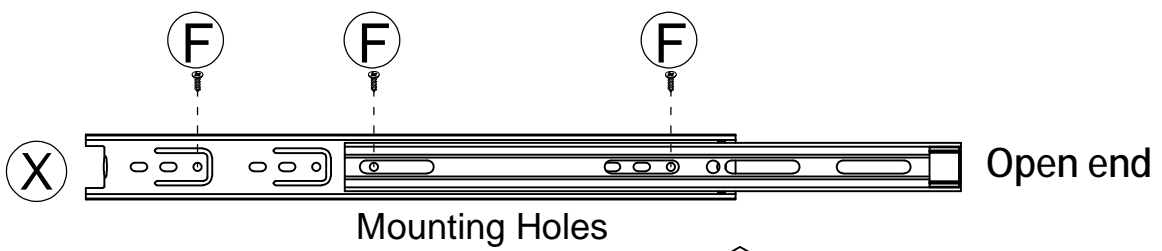
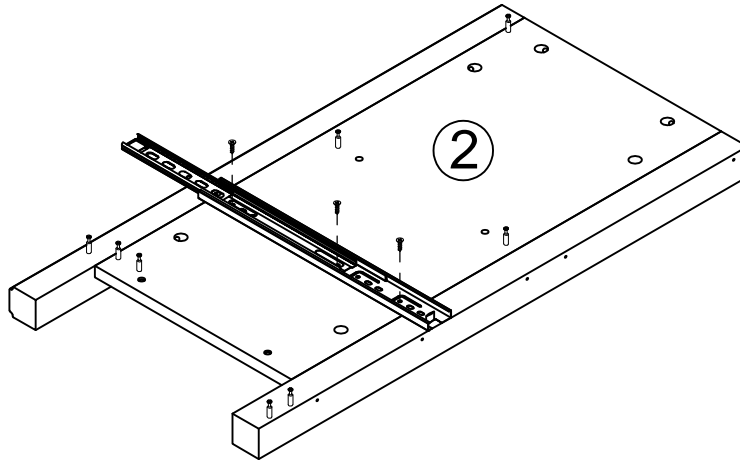
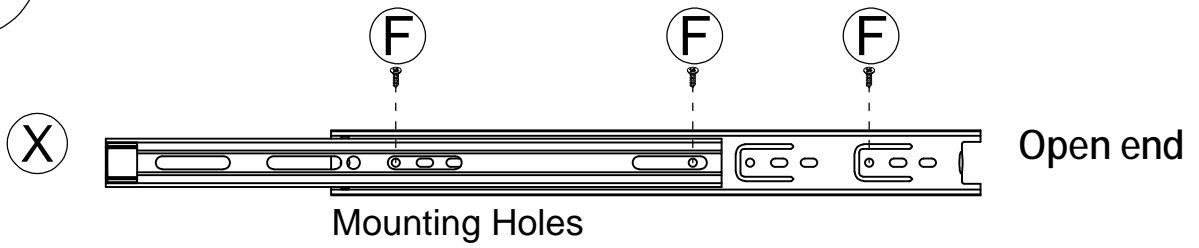
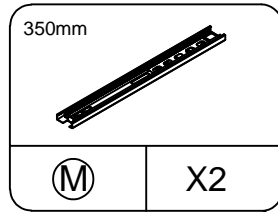
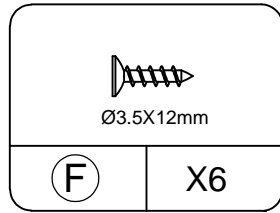
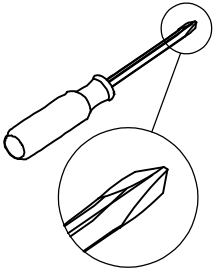


STEP 6

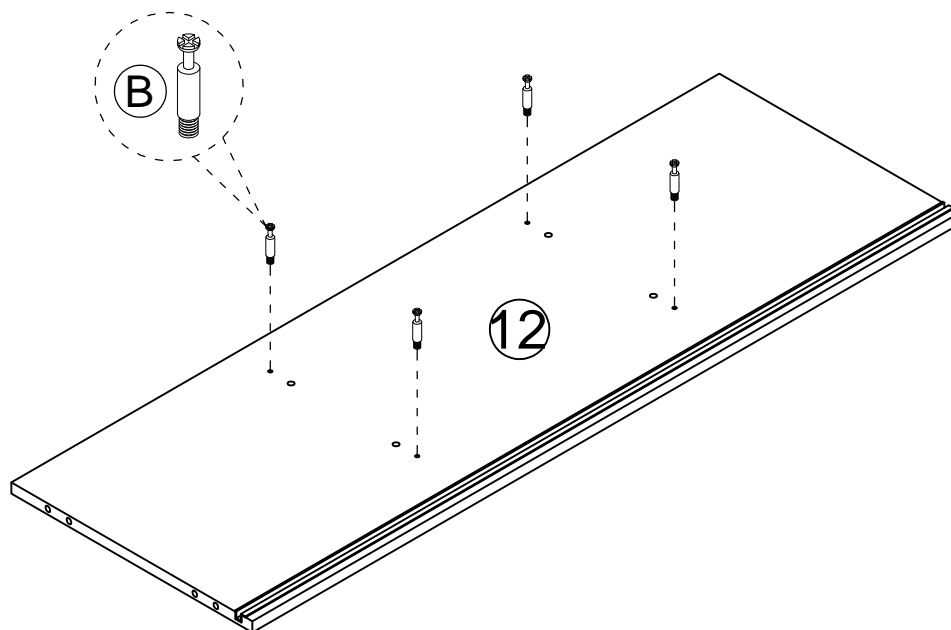
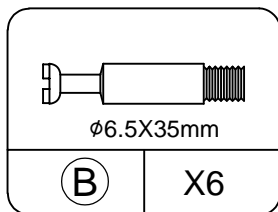
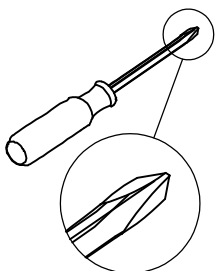


Proper orientation of CAM LOCK

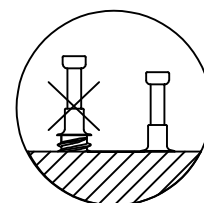
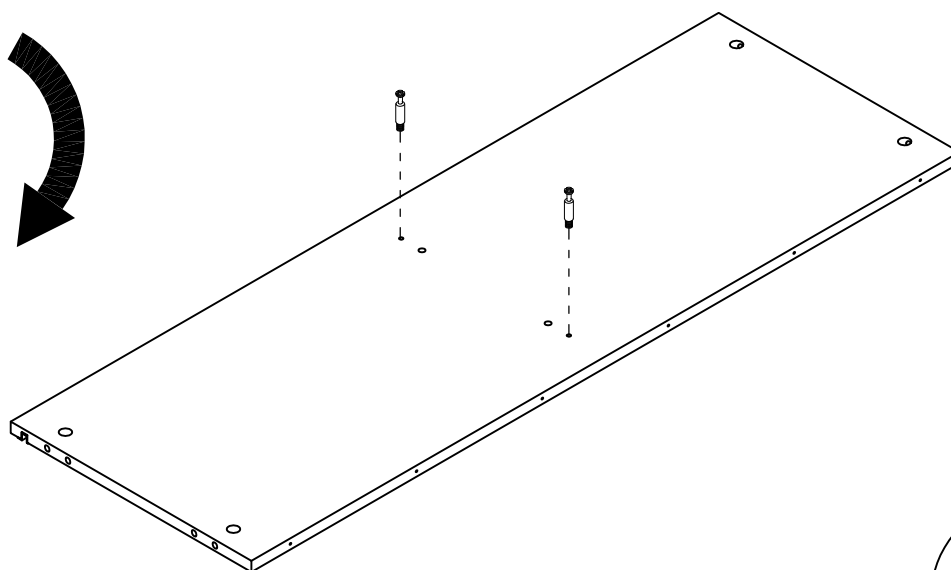
STEP 7



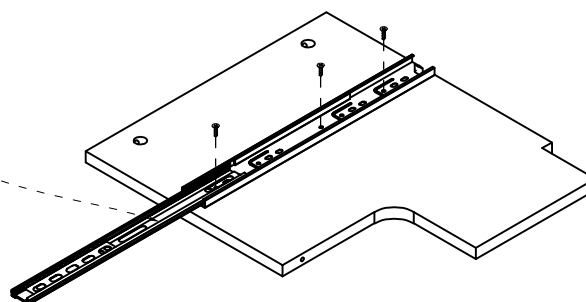
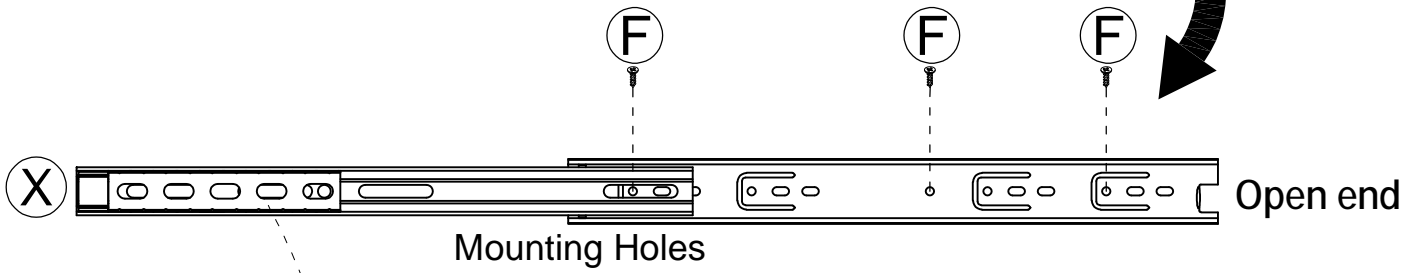
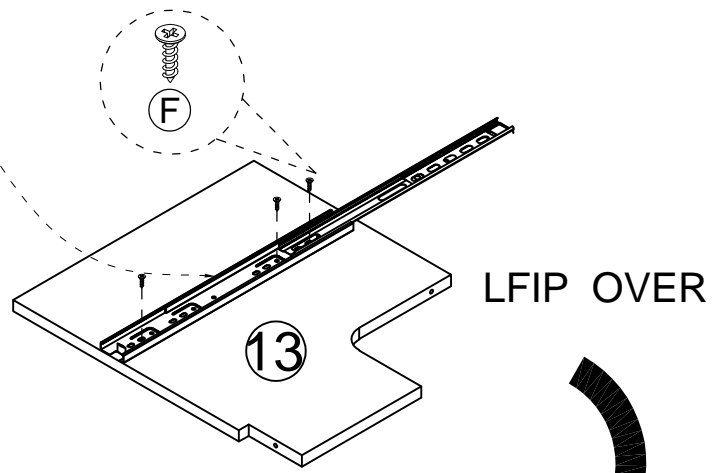
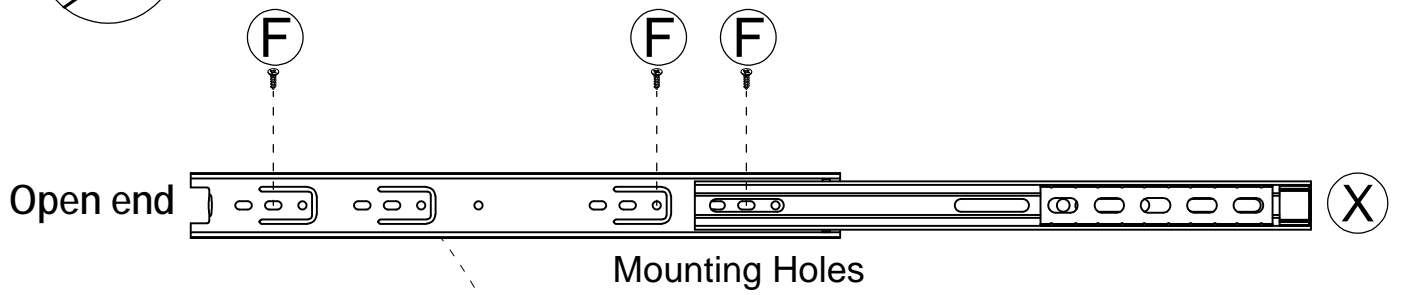
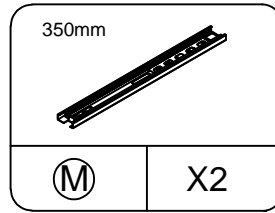
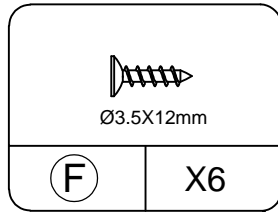
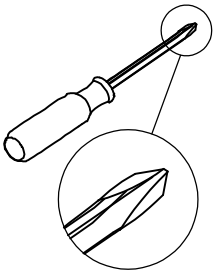
STEP 8



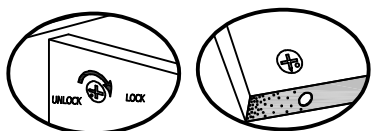
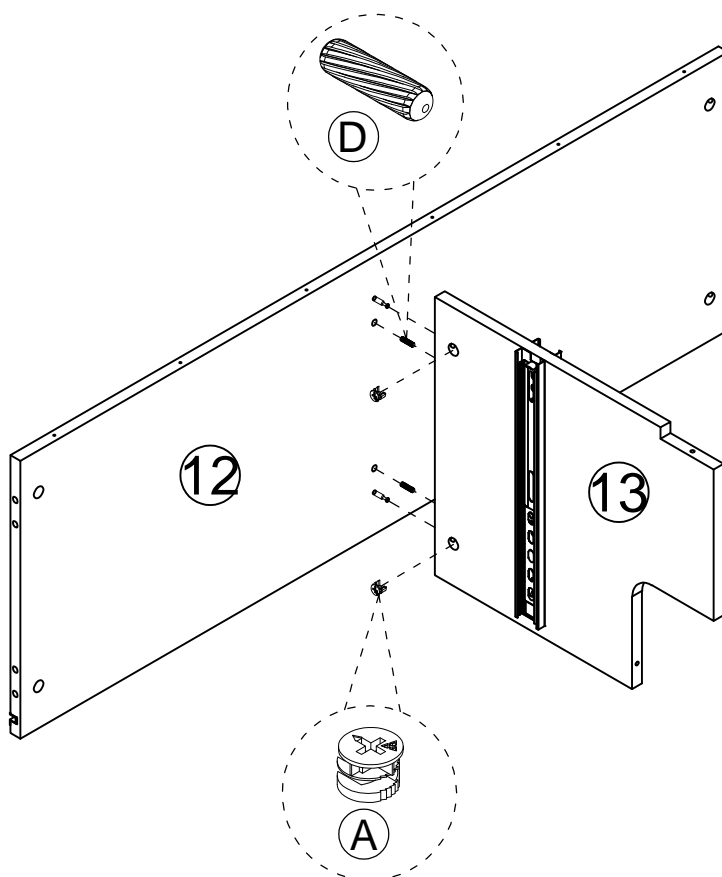
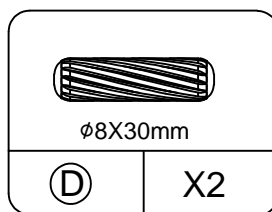
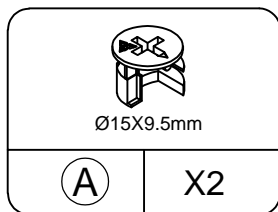
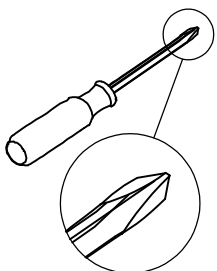
LFIP OVER



STEP 9

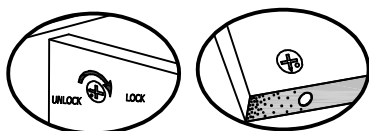
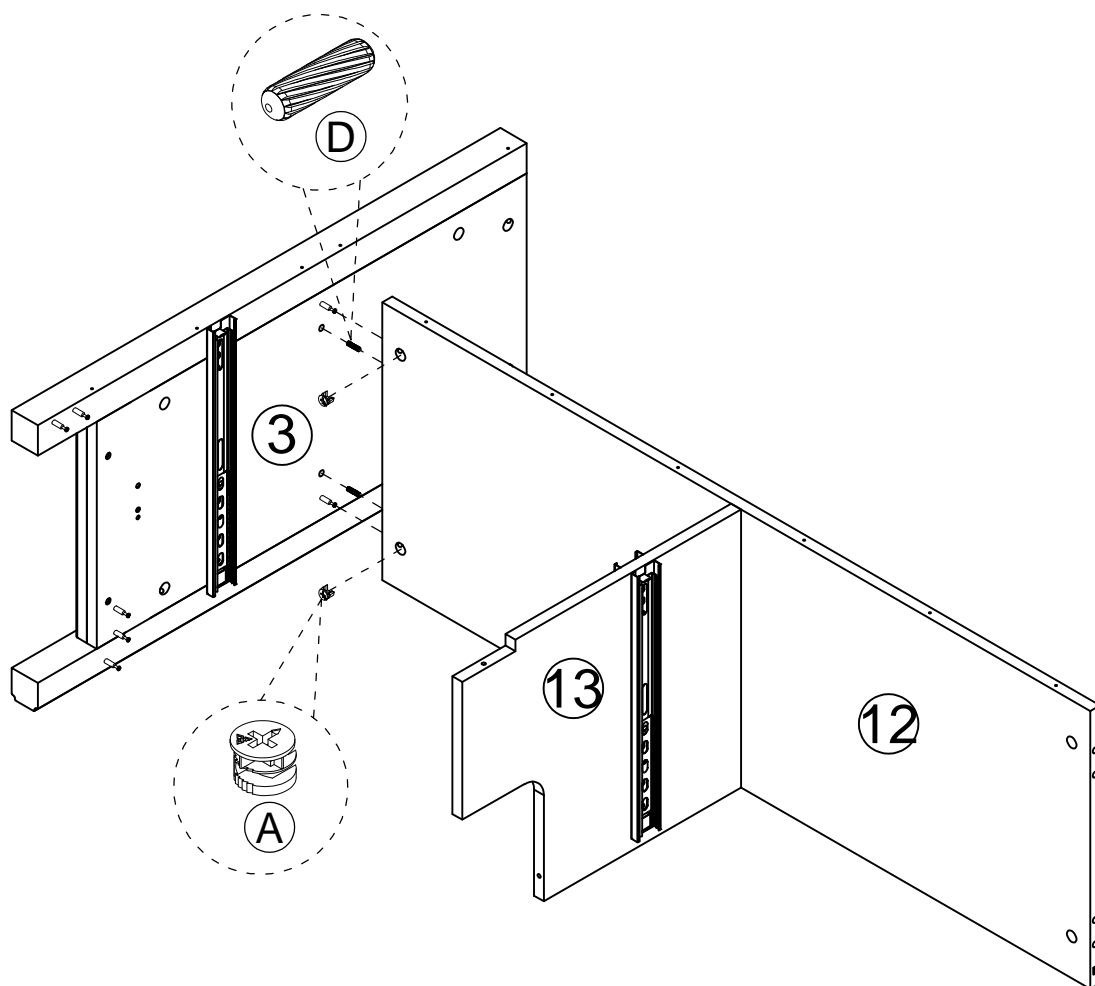
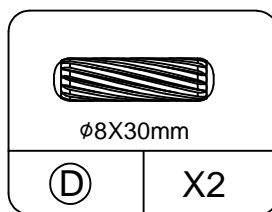
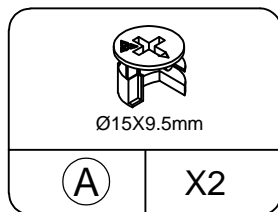
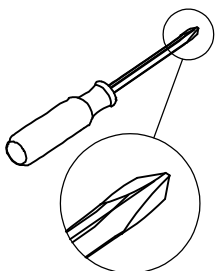


STEP 10



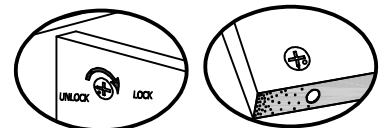
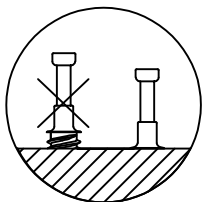
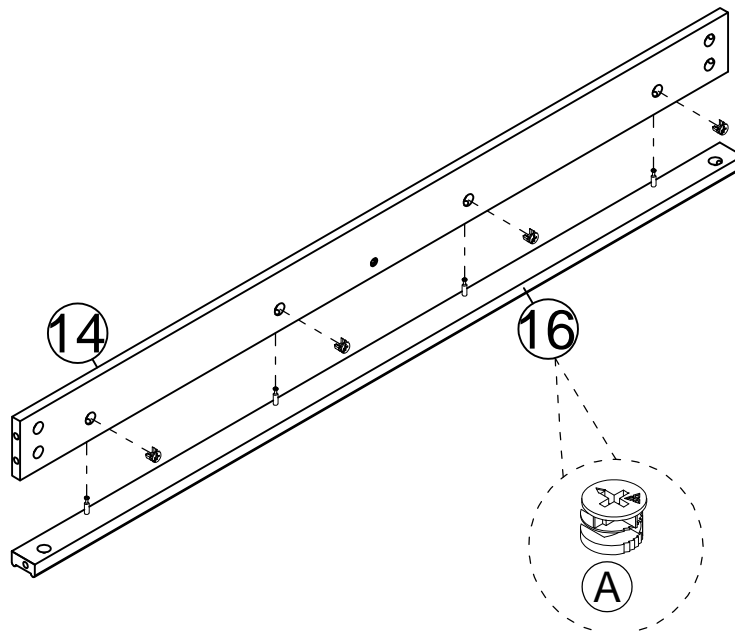
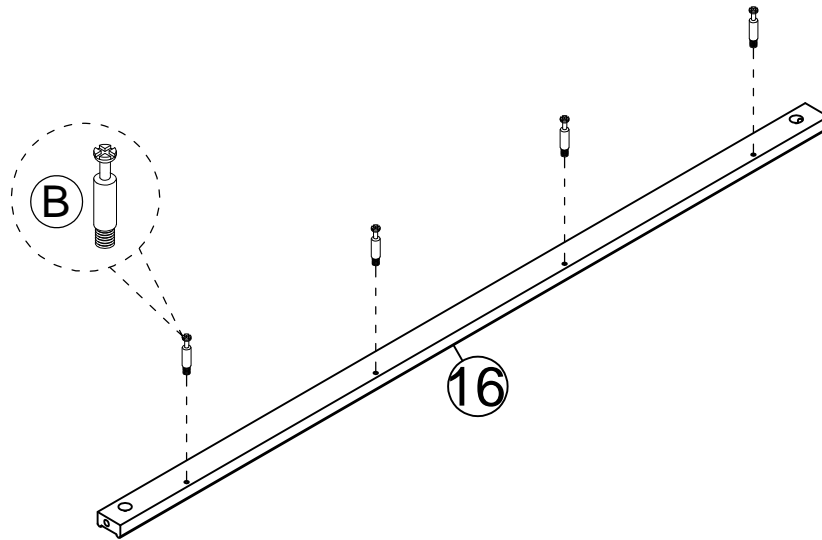
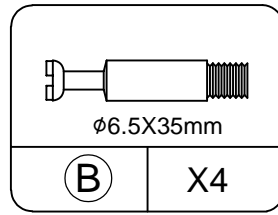
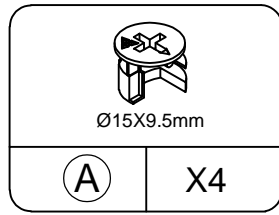
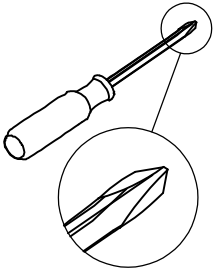
Proper orientation of CAM LOCK

STEP 11

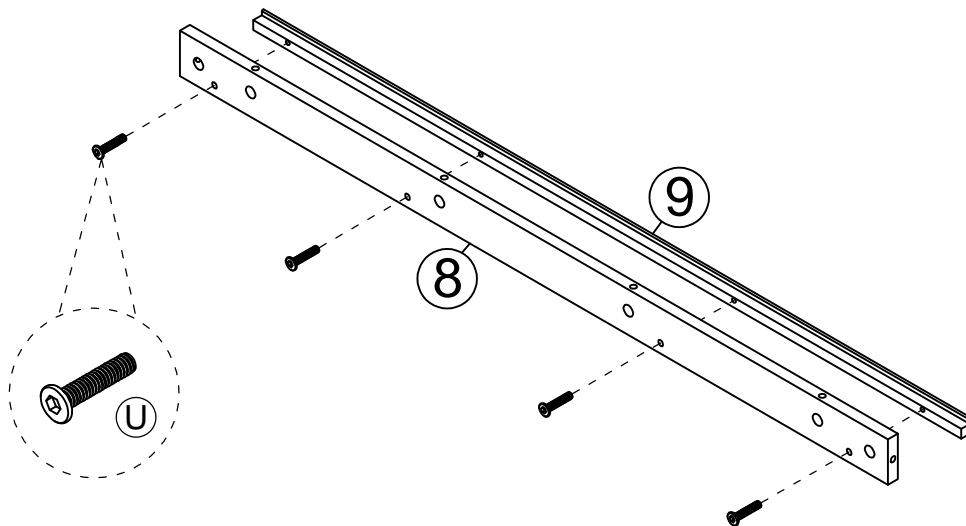
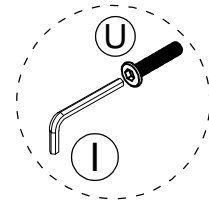
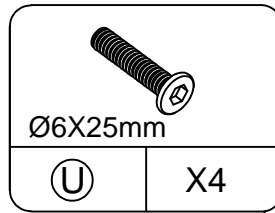
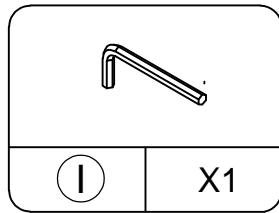
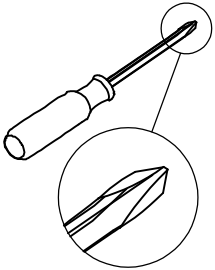


Proper orientation of CAM LOCK

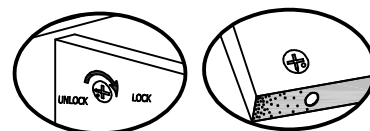
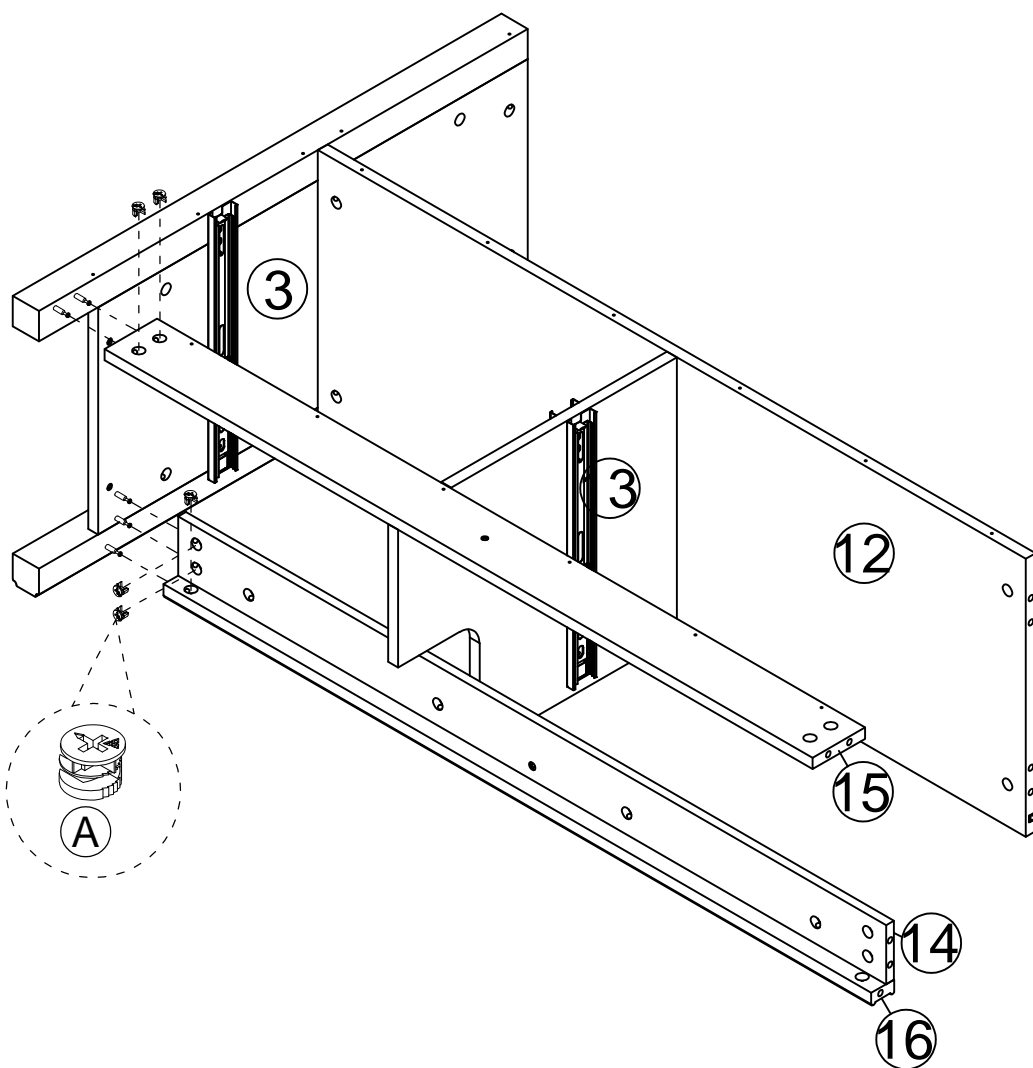
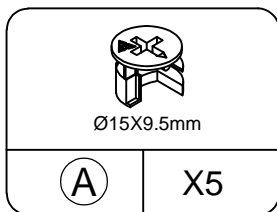
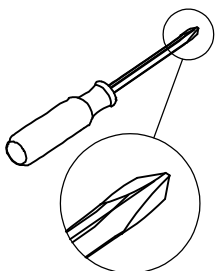
STEP 12



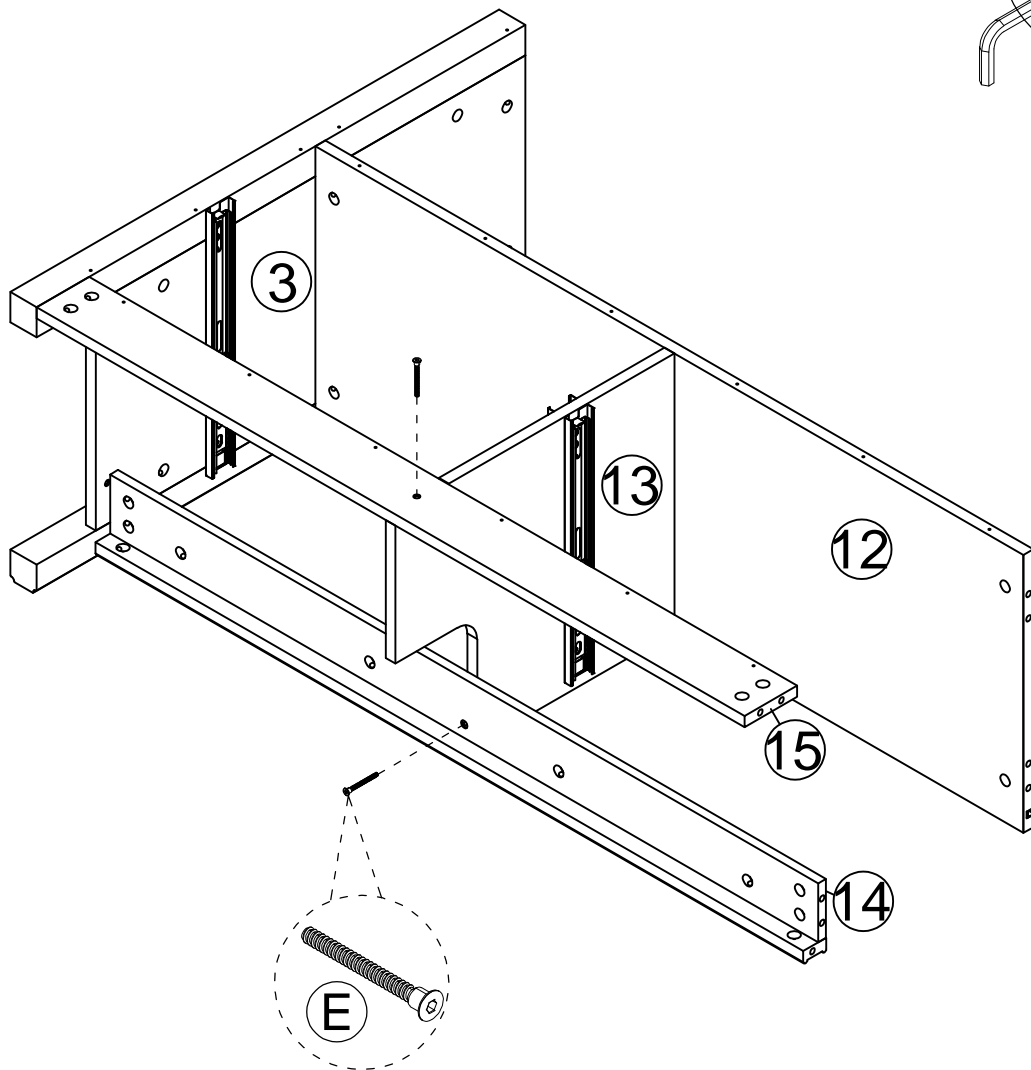
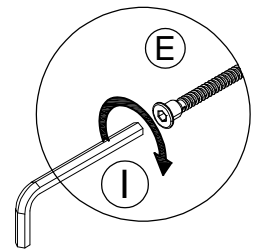
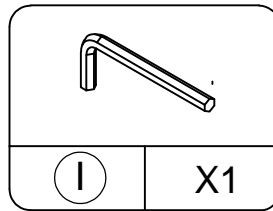
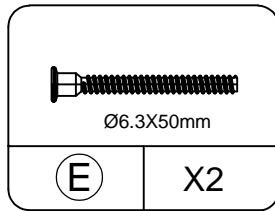
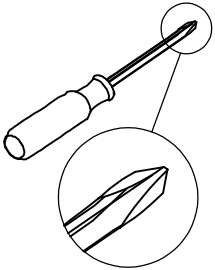
STEP 13



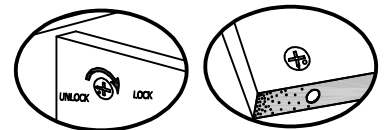
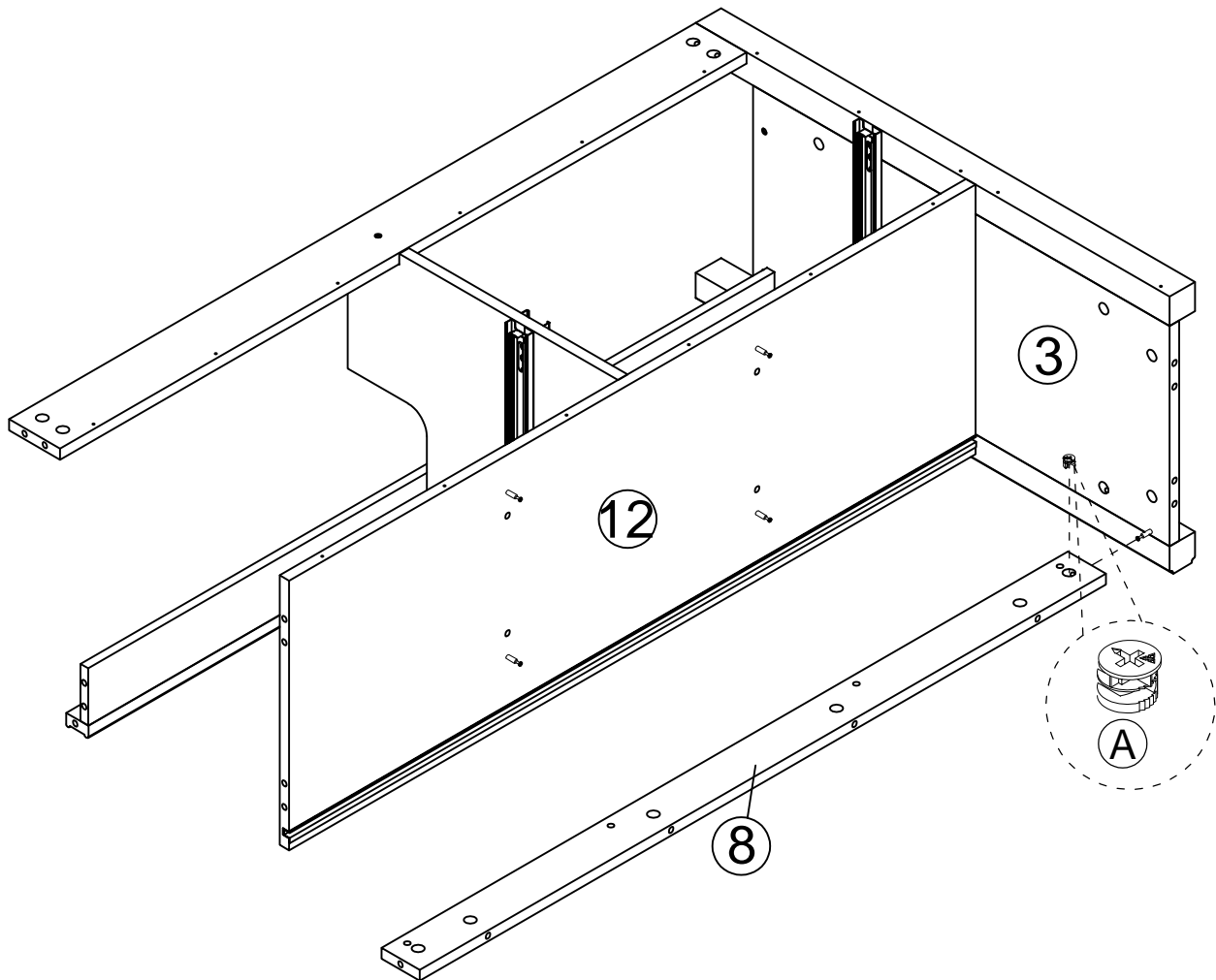
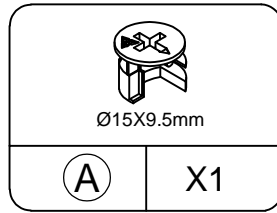
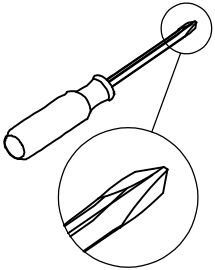
STEP 14



STEP 15

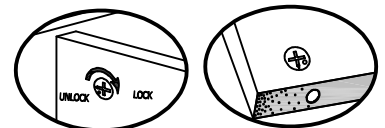
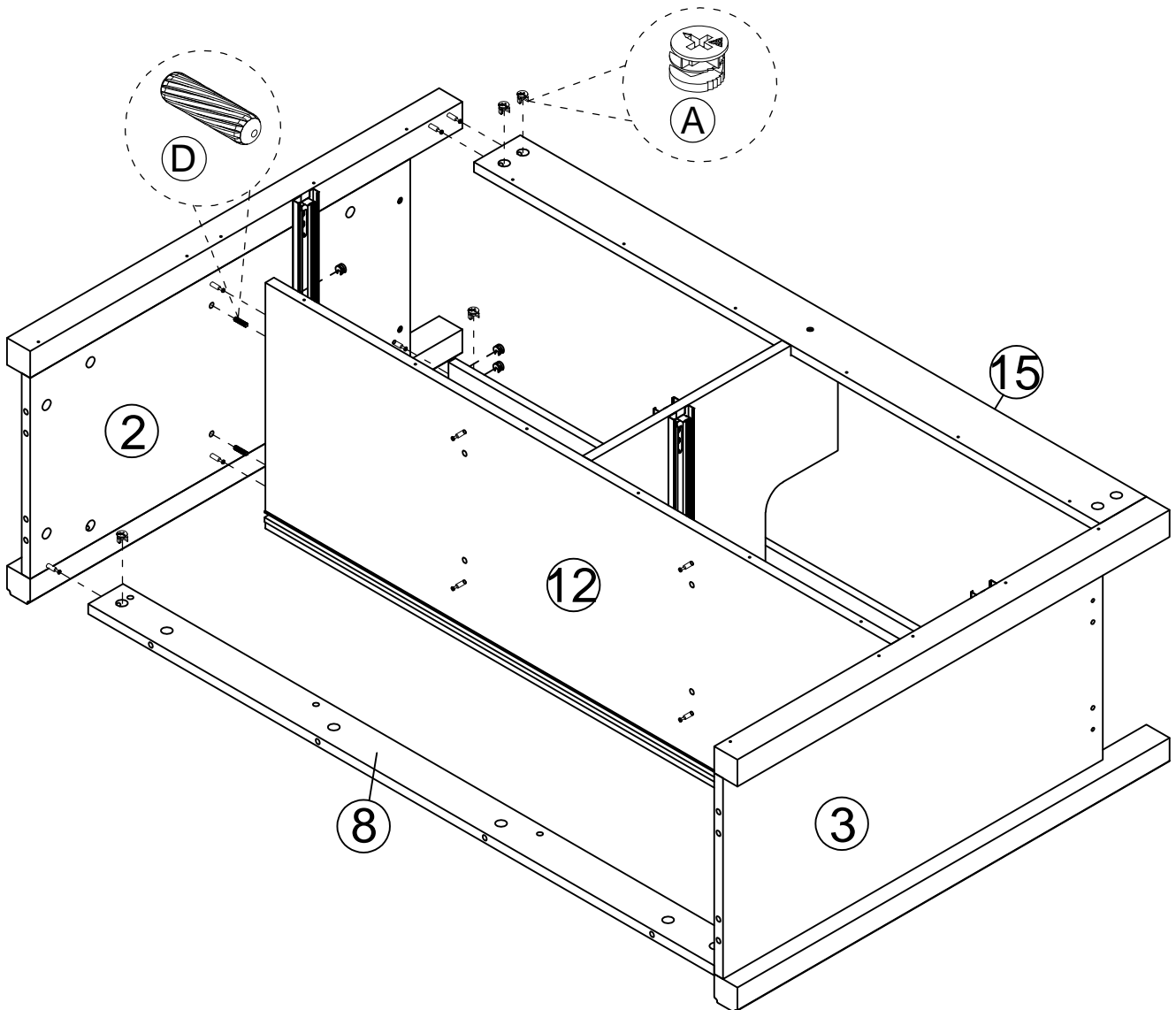
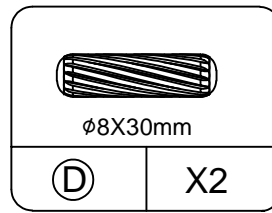
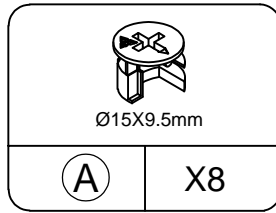
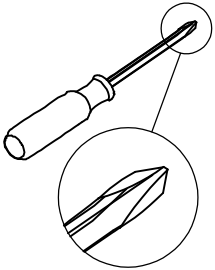


STEP 16



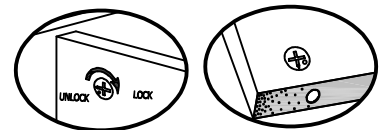
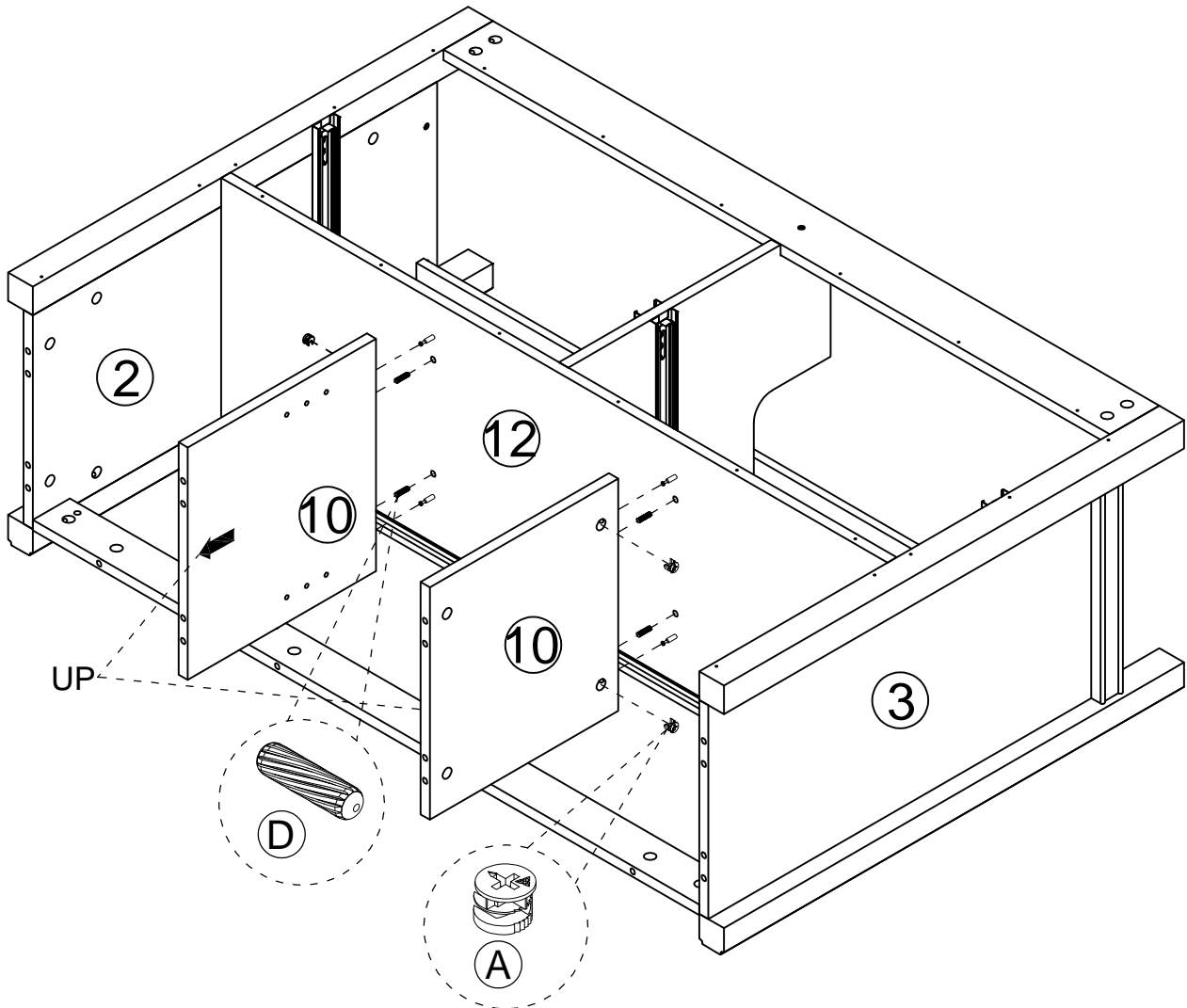
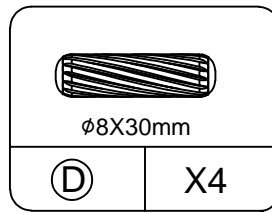
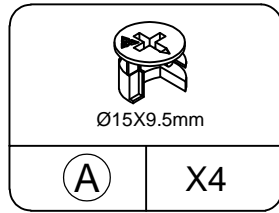
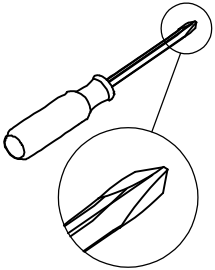
Proper orientation of CAM LOCK

STEP 17

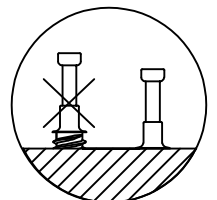
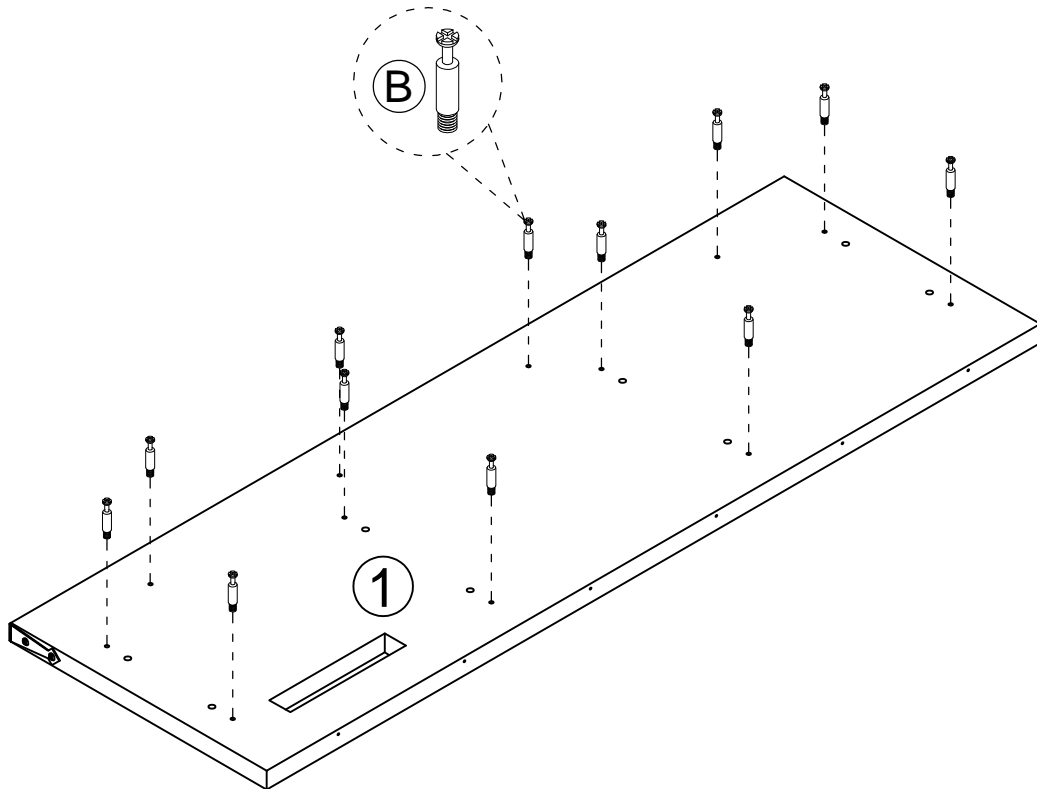
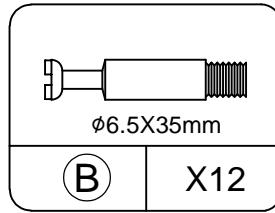
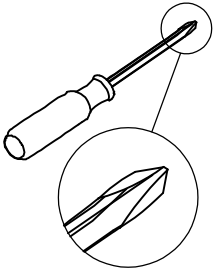


Proper orientation of CAM LOCK

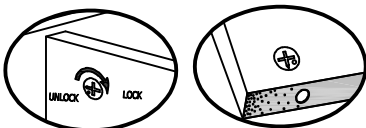
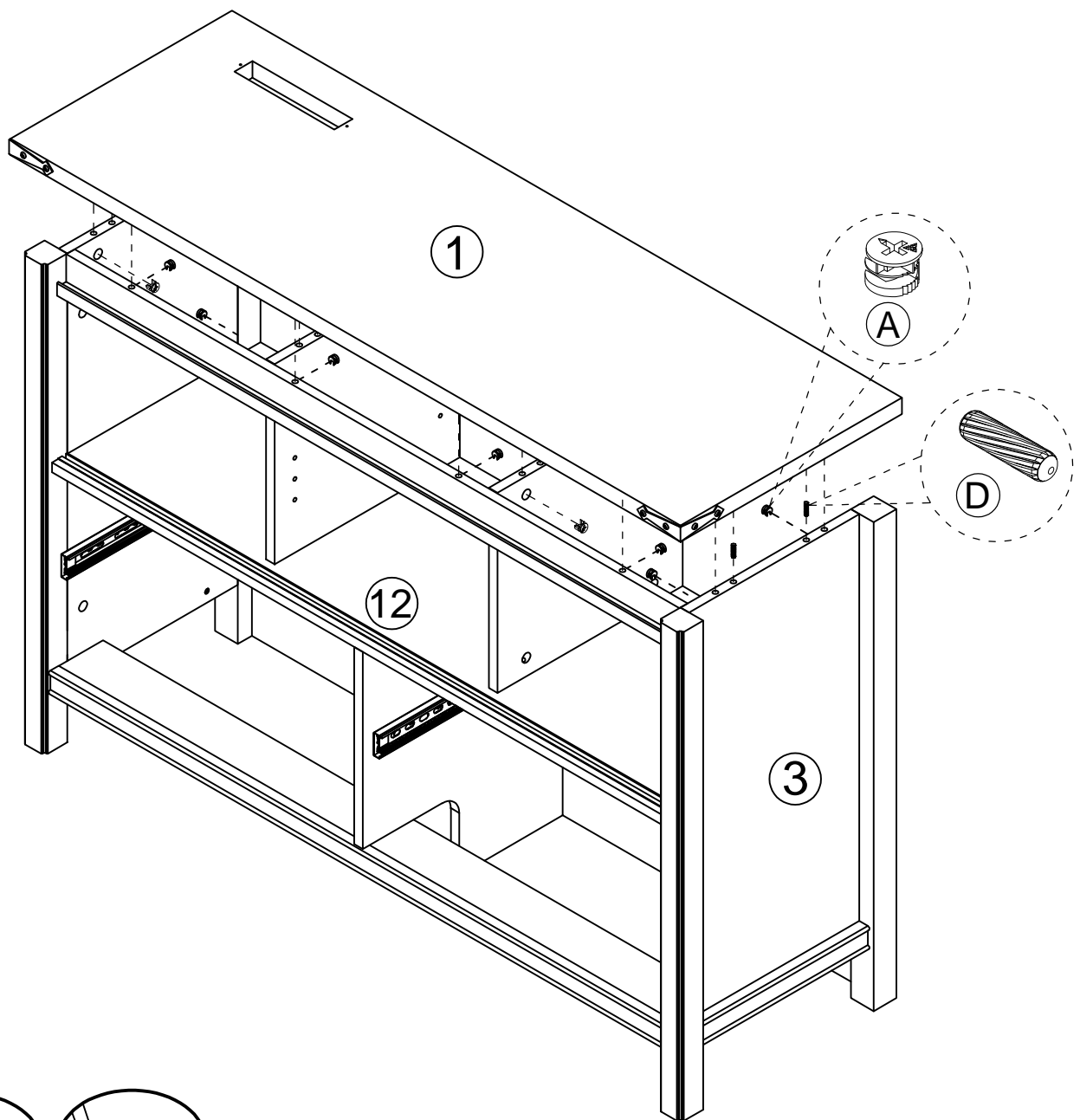
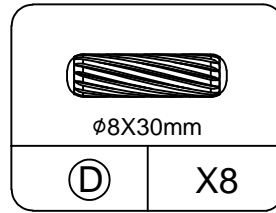
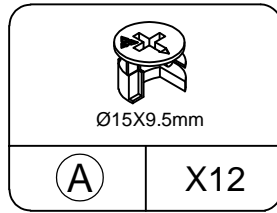
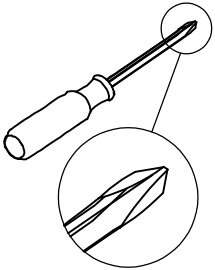
STEP 18



STEP 19

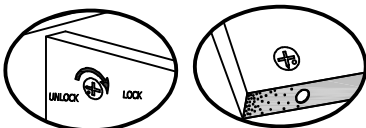
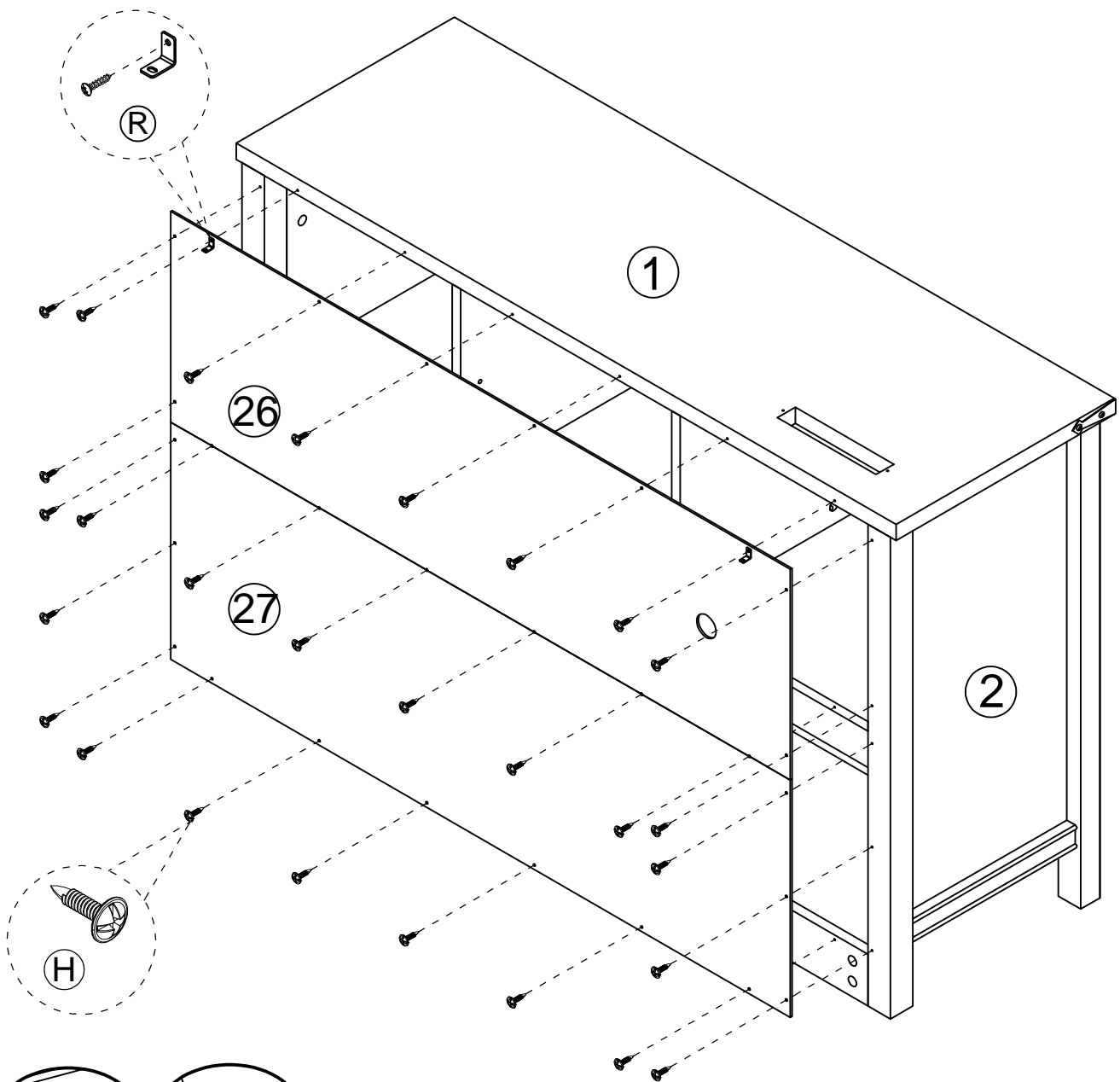
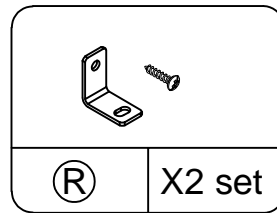
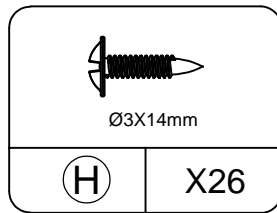
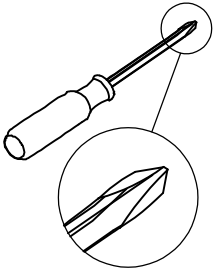


STEP 20



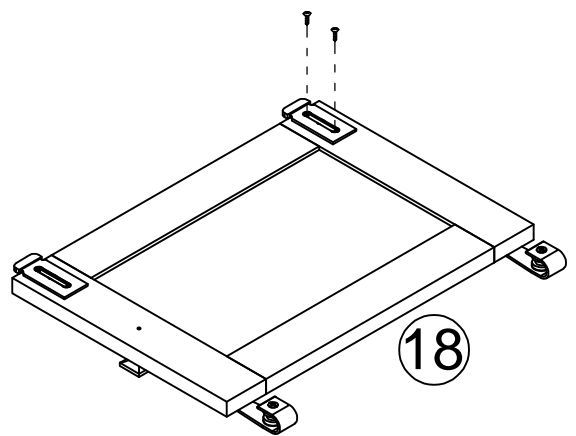
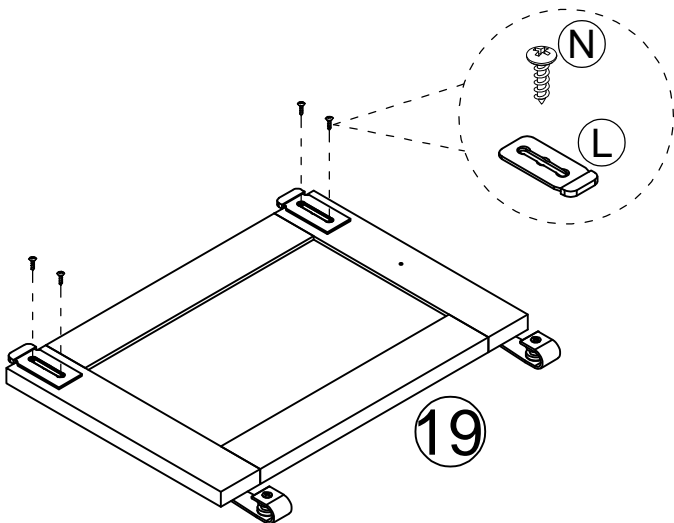
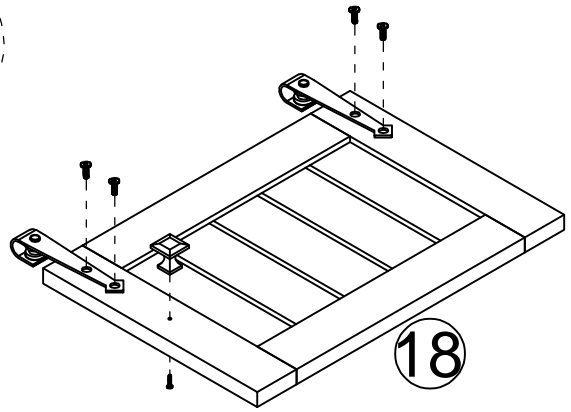
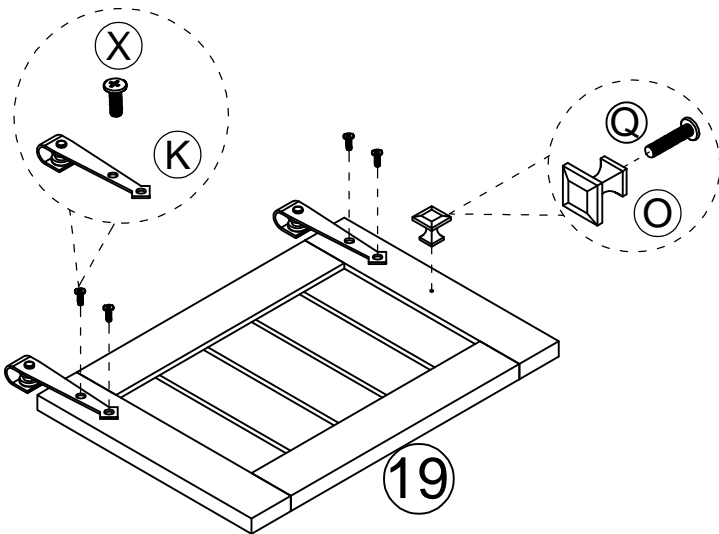
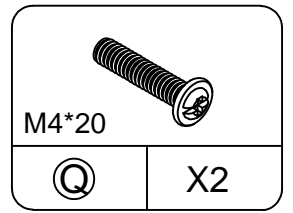
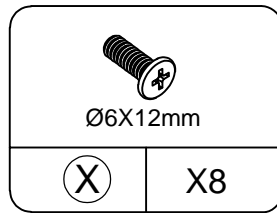
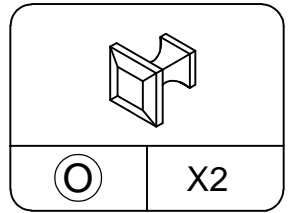
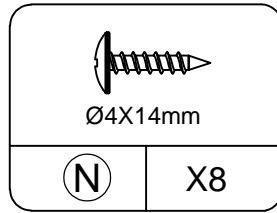
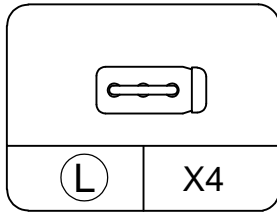
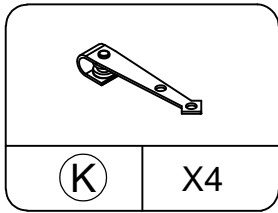
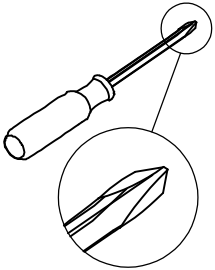
Proper orientation of CAM LOCK

STEP 21

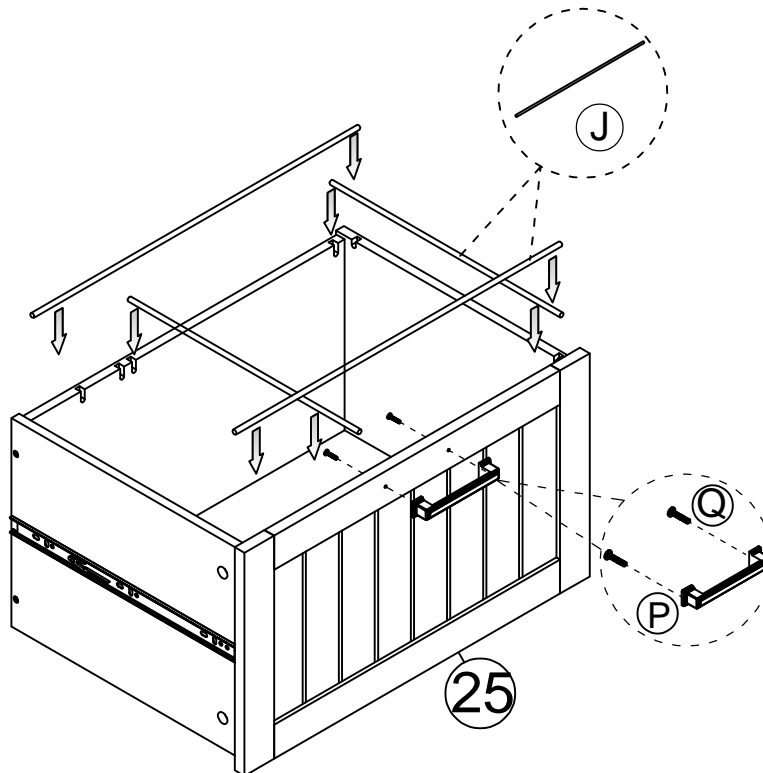
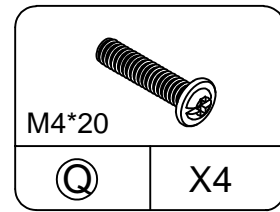
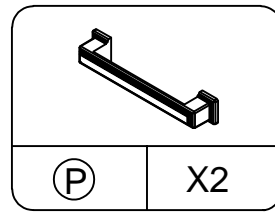
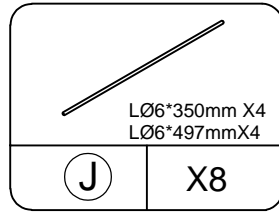
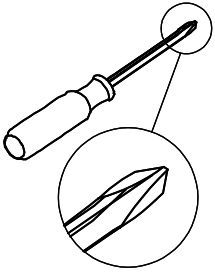


Proper orientation of CAM LOCK

STEP 22

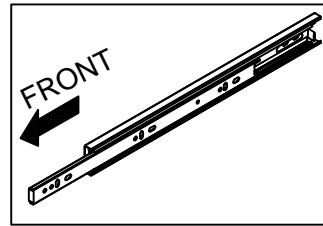
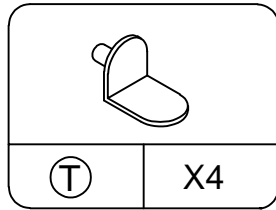


STEP 23

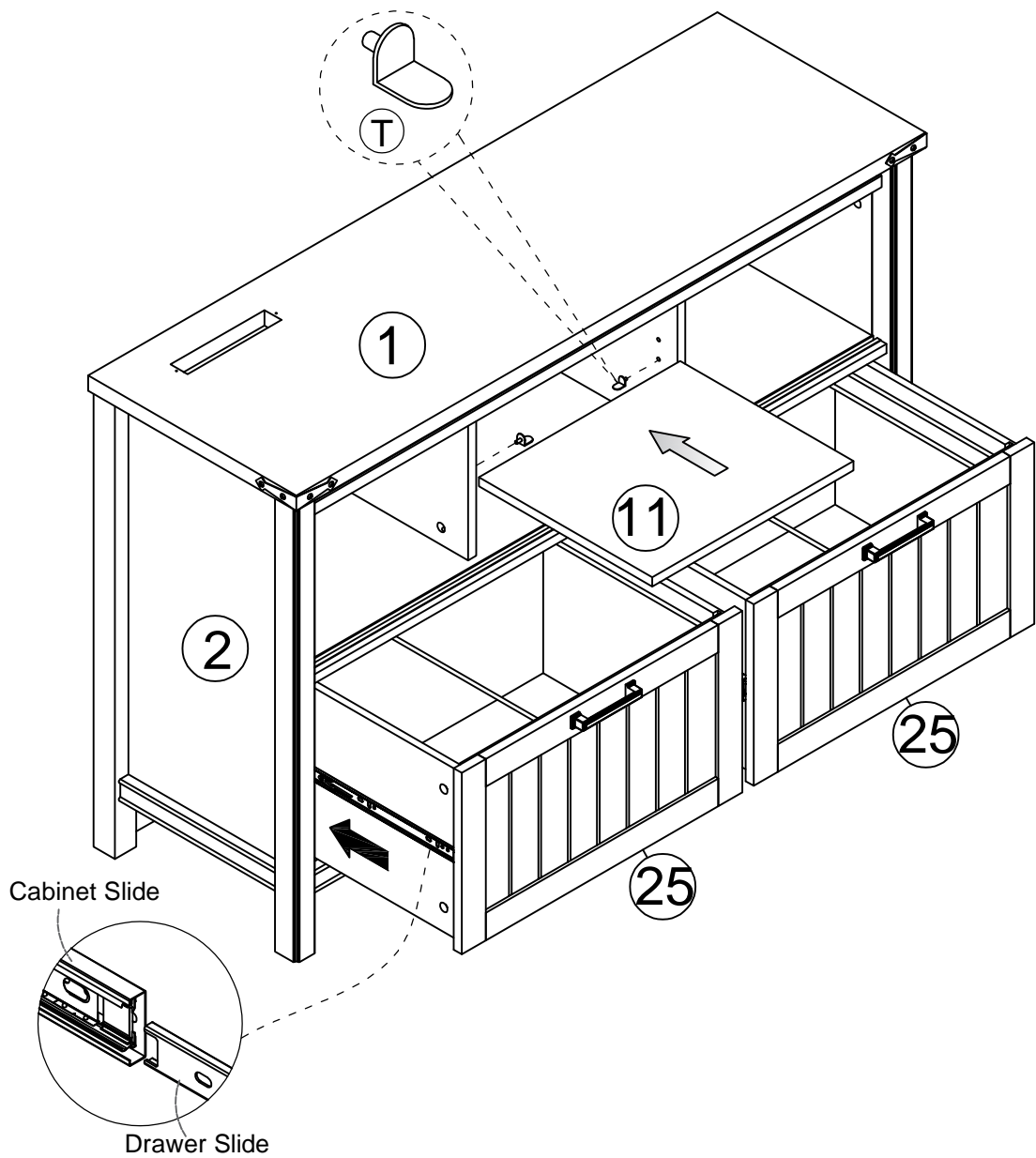


X 2

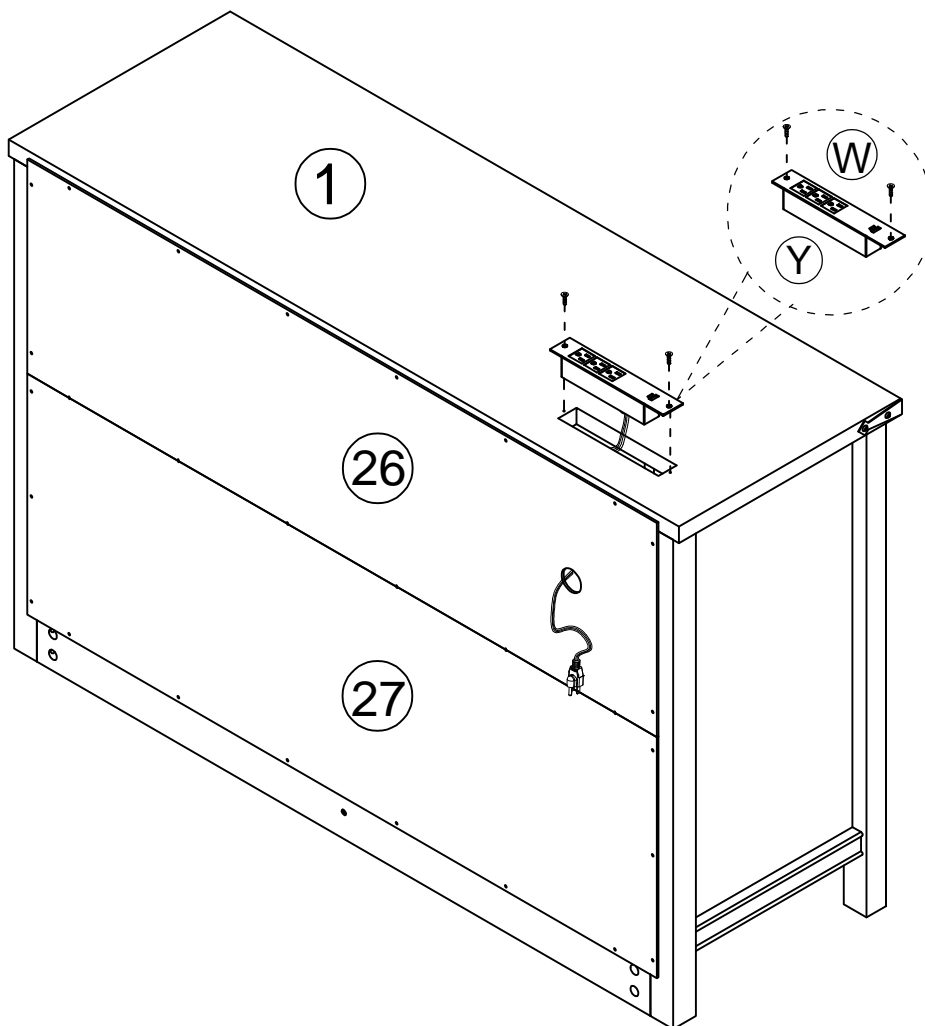
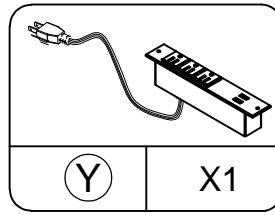
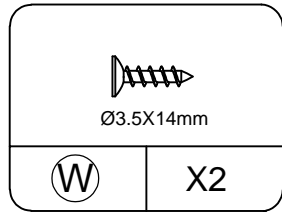
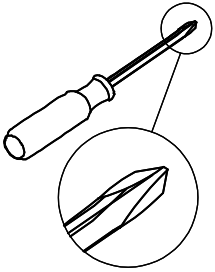
STEP 24



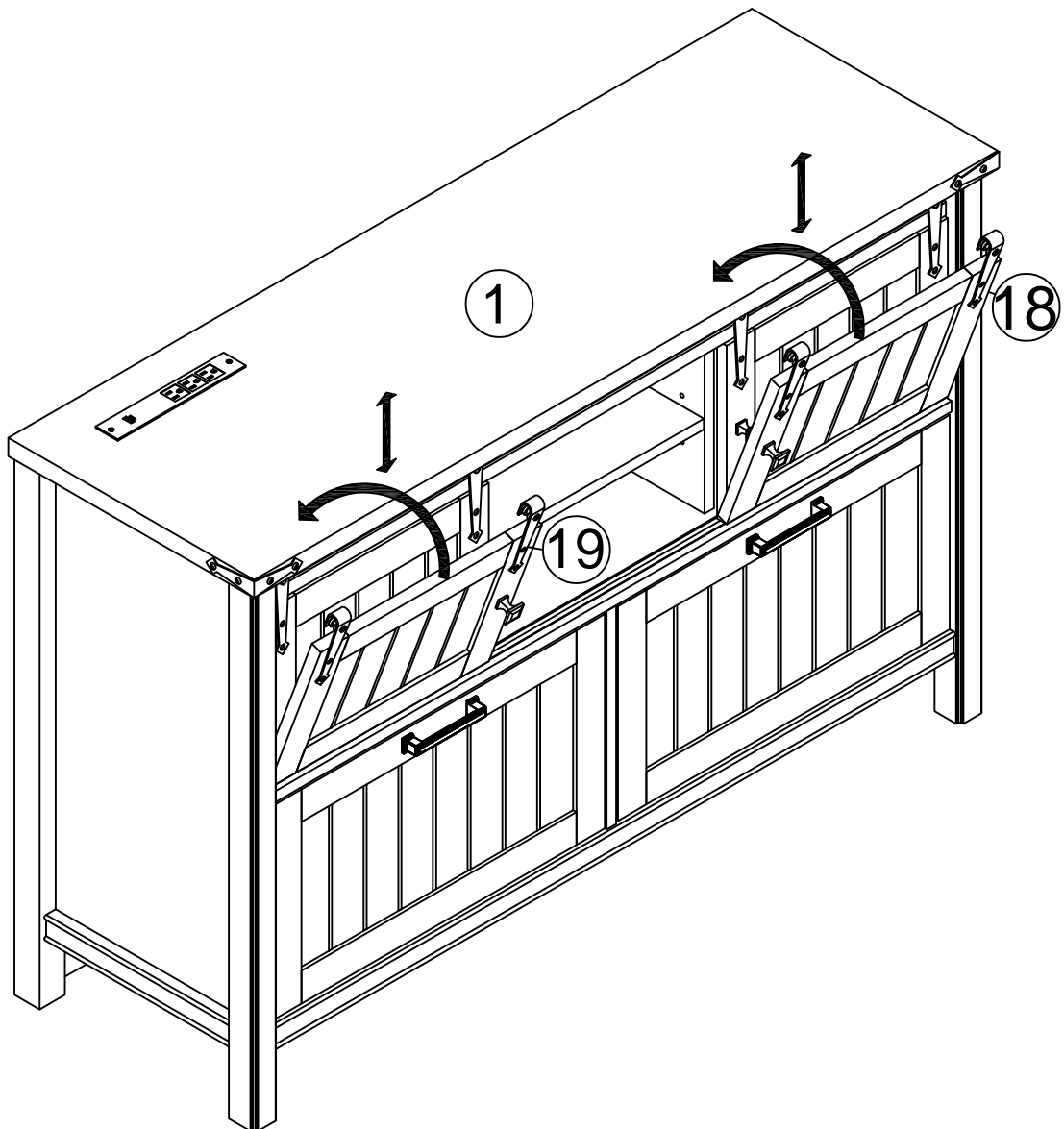
Please complete this step with the cooperation of two people




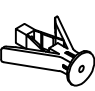


STEP 25



STEP 26

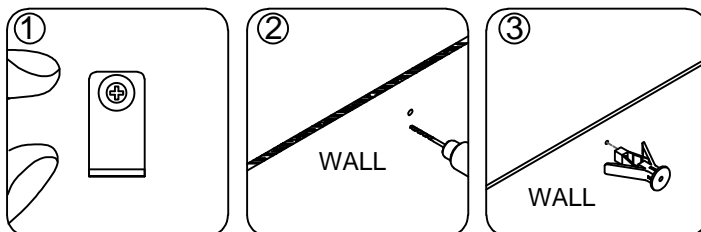


STEP 27

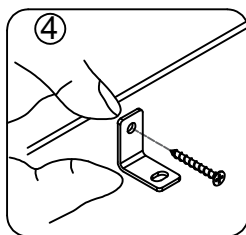
1PCS 	1PCS 	1PCS 	1PCS  Ø4X40mm
(R)	X2 set		

We have included a set of tipping restraint hardware for this unit. You must install this hardware to prevent accidents or injuries that can result from the unit falling. When properly installed, this restraint can provide protection against the unexpected tipping of the unit due to small tremors, bumps or climbing. We strongly recommend mounting this hardware to a wall stud and your unit.

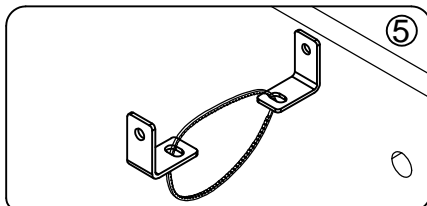
Install the tipping restraint hardware



① make mark on the wall
 ② drill two Ø6 holes on the wall
 ③ put two anchors in the holes



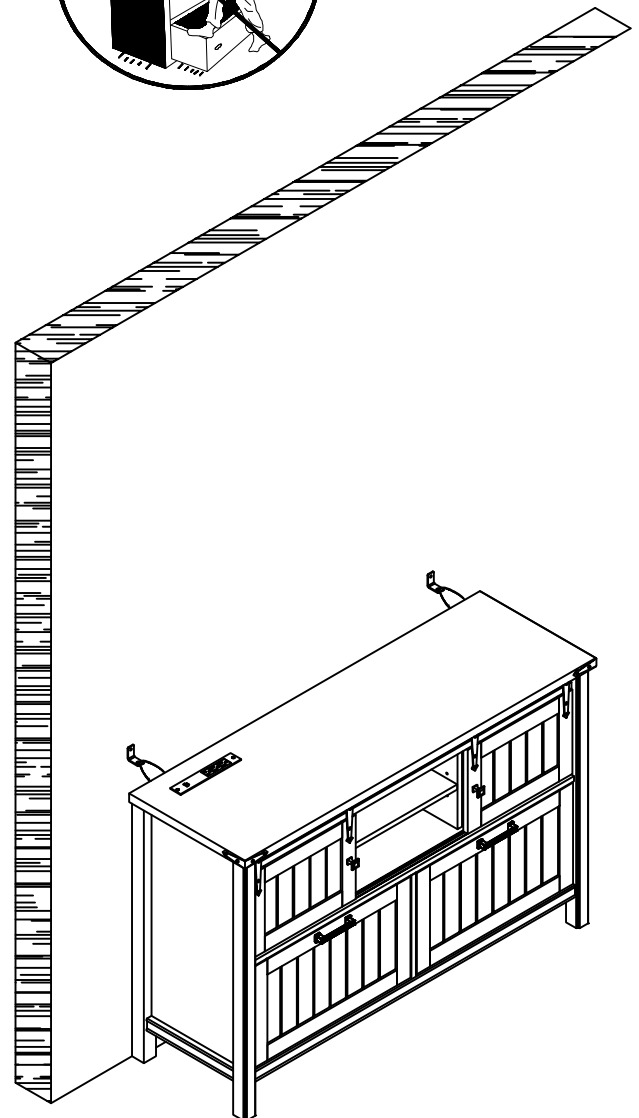
4. fix the device on the wall by the long screws



5. Push the cabinet close to the wall so that the two bases are close to each other, and then put on nylon tie to tighten it.



NOTE: The tipping restraint hardware included is for wooden stud wall construction. It must be attached to a wall stud. Depending upon your wall construction different anchor hardware maybe required. Please contact your local hardware store for assistance. Young children can be seriously injured by tipping furniture. You must install the tipping restraint hardware with the unit to prevent the unit from tipping, causing any accidents or damage. The tipping restraints are intended only as a deterrent and are not a substitute for proper adult supervision. The tipping restraints are not earthquake restraints. If you wish to add the extra security of earthquake restraints, they must be purchased and installed separately.



⚠ WARNING



Children have died from furniture tipover. To reduce the risk of furniture tipover:

- ALWAYS install tipover restraint provided.
- NEVER put a TV on this product.
- NEVER allow children to stand, climb or hang on drawers, doors, or shelves.
- NEVER open more than one drawer at a time.
- Place heaviest items in the lowest drawers.
- Do not defeat or remove the drawer interlock system.

This is a permanent label.

Do not remove!

⚠ ATTENTION



Des enfants sont morts du basculement des meubles. Pour réduire le risque de basculement des meubles:

- TOUJOURS installer la retenue de basculement fournie.
- NE JAMAIS mettre de téléviseur sur ce produit.
- NE JAMAIS permettre aux enfants de se tenir debout, de grimper ou de s'accrocher à des tiroirs, des portes ou des étagères.
- N'ouvrez JAMAIS plus d'un tiroir à la fois.
- Placez les objets les plus lourds dans les tiroirs les plus bas.
- Ne désactivez pas et ne retirez pas le système de verrouillage du tiroir.

Ceci est une étiquette permanente.

Ne pas enlever!

⚠ WARNUNG



Kinder sind an einem Möbelkipp gestorben. So verringern Sie das Risiko eines Umkippens von Möbeln:

- Installieren Sie IMMER die mitgelieferte Kipprückhaltevorrichtung.
- Stellen Sie NIEMALS einen Fernseher an dieses Produkt.
- Lassen Sie Kinder NIEMALS an Schubladen, Türen oder Regalen stehen klettern oder hängen.
- Öffnen Sie NIEMALS mehr als eine Schublade gleichzeitig.
- Legen Sie schwerste Gegenstände in die untersten Schubladen.
- Besiegen oder entfernen Sie das Schubladenverriegelungssystem nicht.

Dies ist ein dauerhaftes Etikett.

Nicht entfernen!