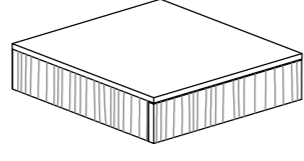
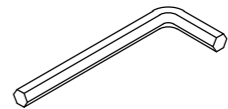
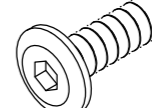
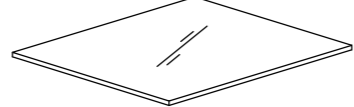

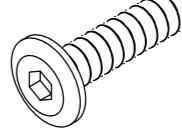

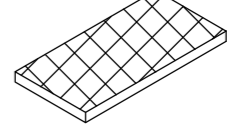
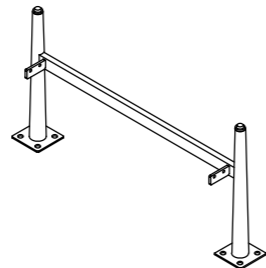
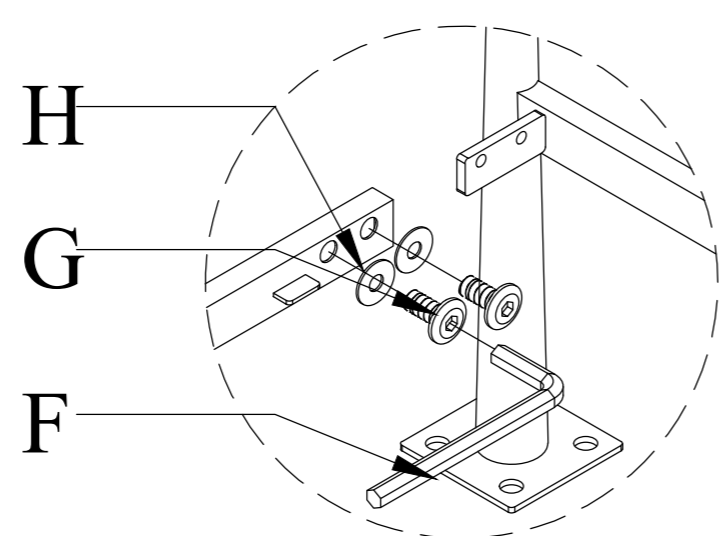
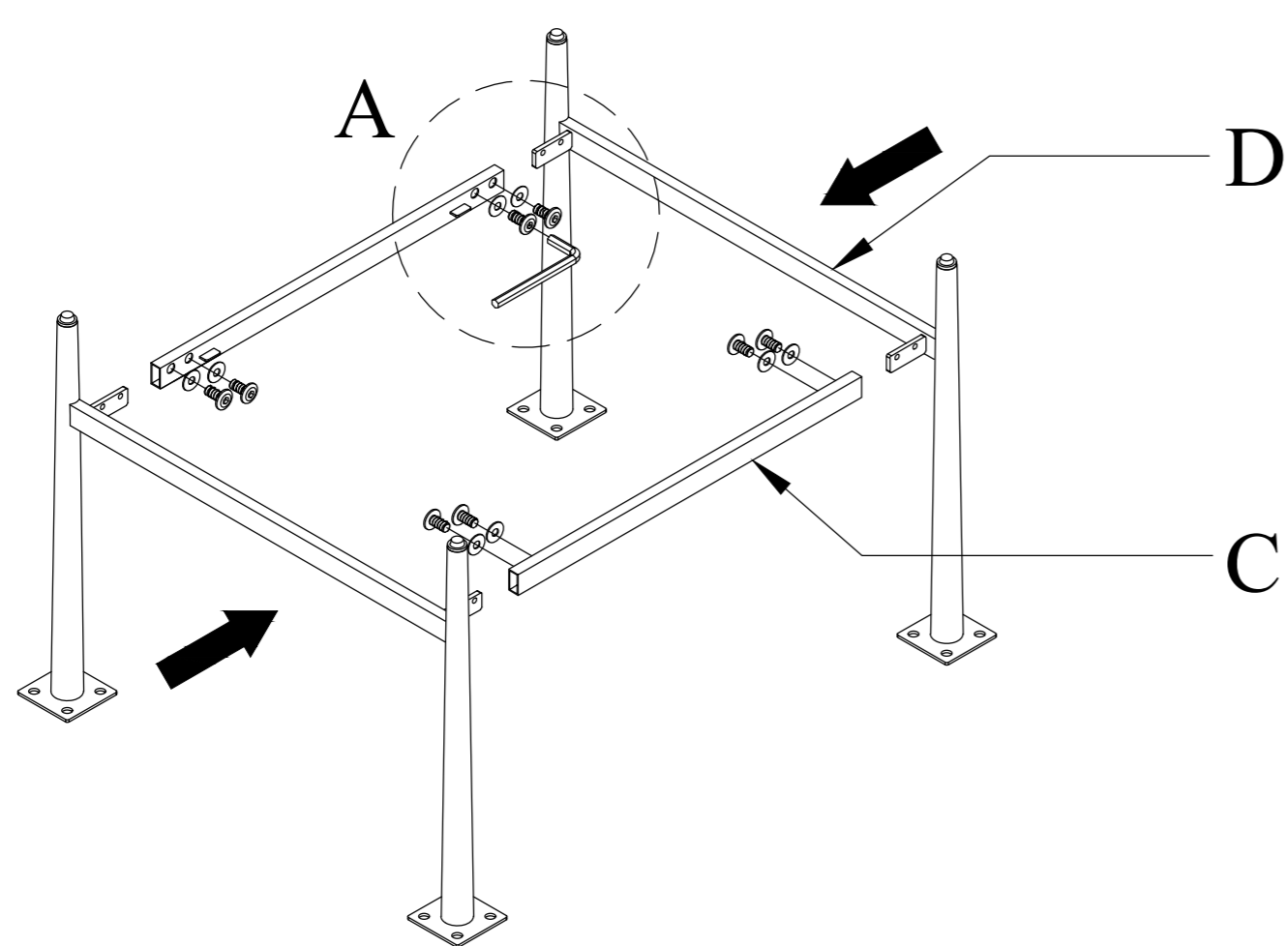


Assembly Instructions

Thank you for purchasing this quality product. Be sure to check all packing material carefully for small parts that may have come loose inside the carton during shipment. (Note: Loosely thread all screws bolts first. Once the item is assembled then completely tighten.)

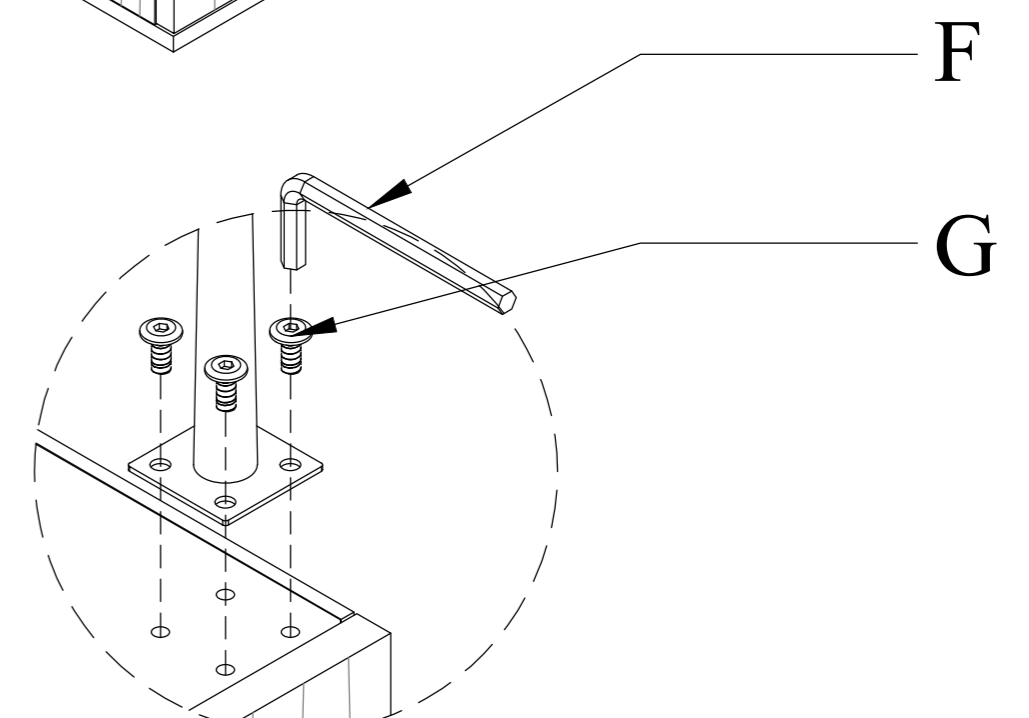
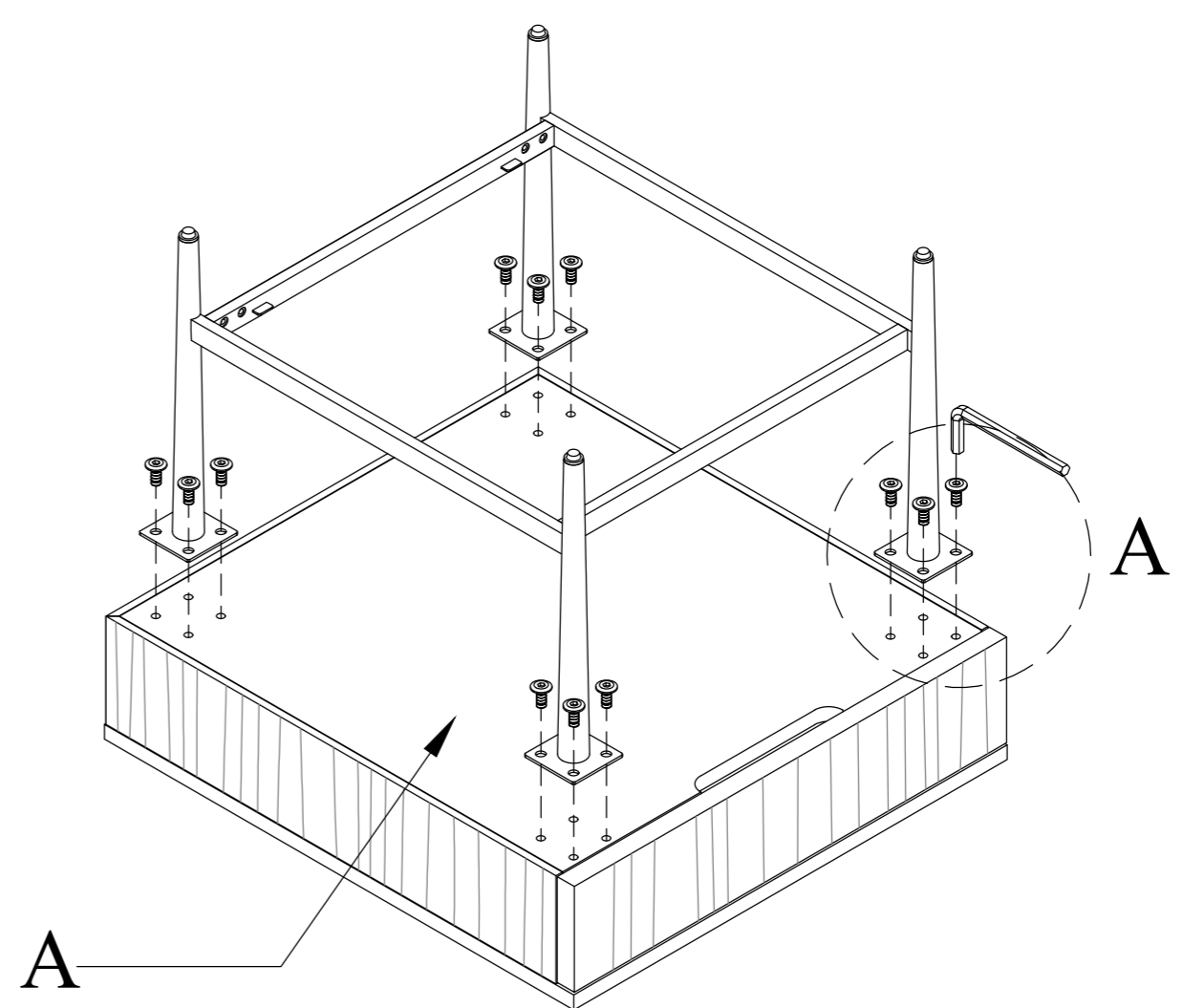
PARTS LIST:				HARDWARE LIST:			
NO.	DESCRIPTION	PART PHOTO	QTY	NO.	DESCRIPTION	PART PHOTO	QTY
A	TOP BOARD		1	F	ALLEN KEY (Ø_{25}^4 ")		1
				G	SCREW (M_{25}^6 "* $\frac{2}{5}$ ")		8
B	SHELF GLASS		1	H	WASHER (Ø_{25}^{13} "- $\frac{6}{25}$ "* $\frac{1}{25}$ ")		8
				I	SCREW (M_{25}^6 "* $\frac{16}{25}$ ")		16
C	CONNECTING		2	J	STICKERS FELT (M_{25}^6 "* $\frac{13}{25}$ "* $\frac{1}{25}$ ")		4
D	SIDE FRAME		2				

STEP 1



DETAIL A

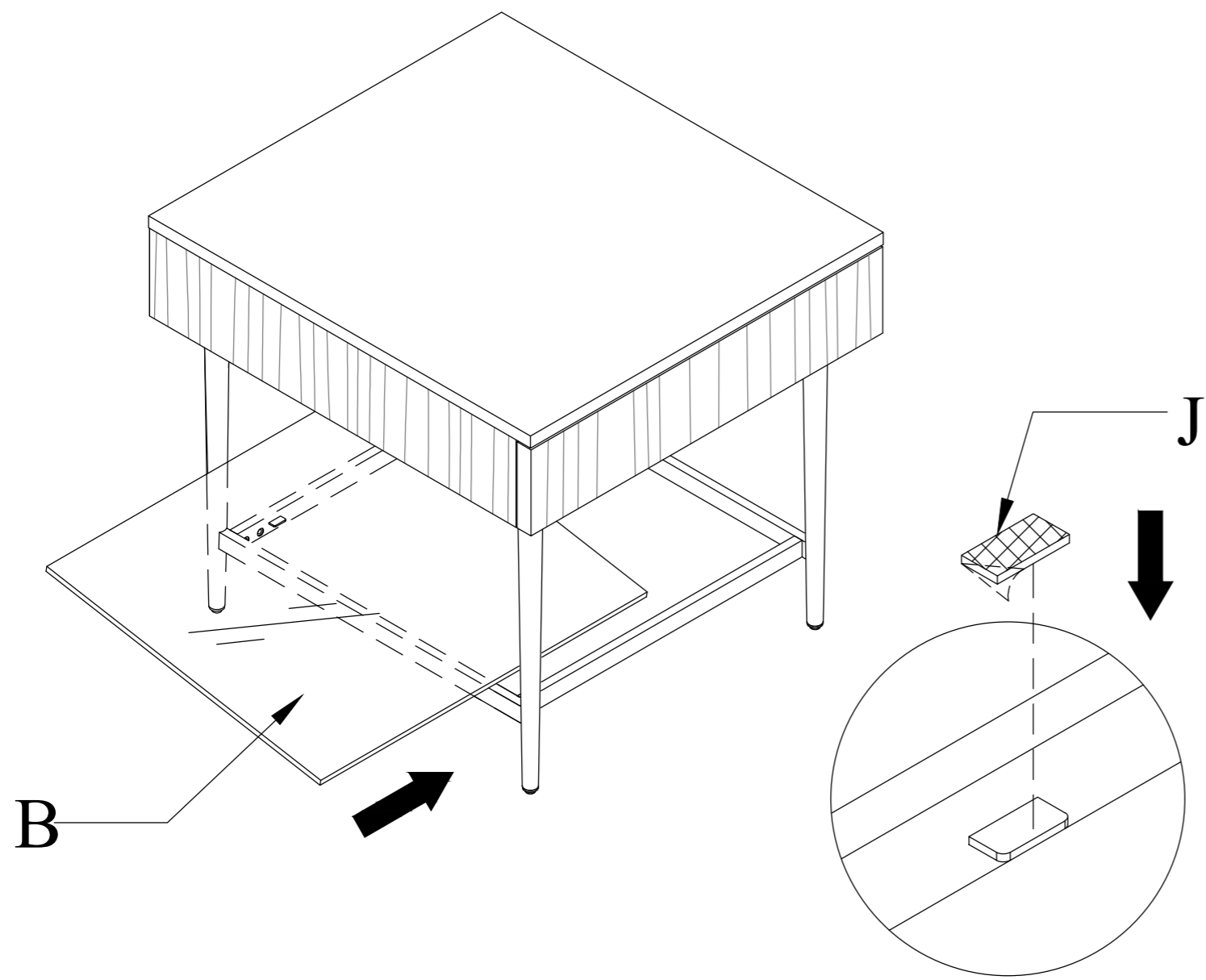
STEP 2



DETAIL A

Assembly Instructions

STEP 3



FINISH

