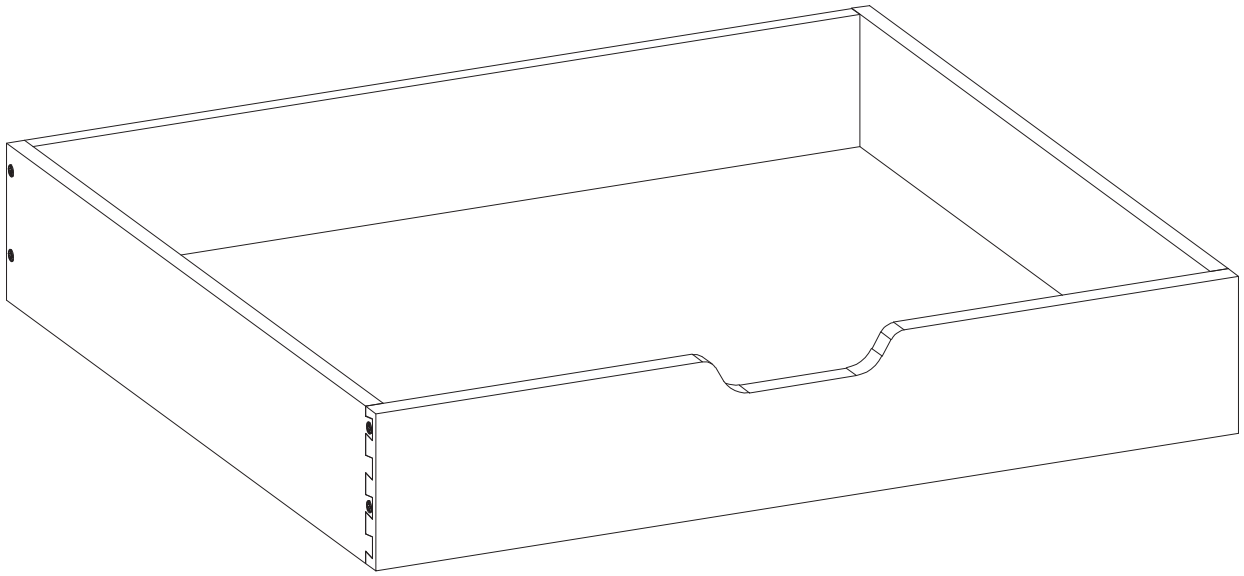
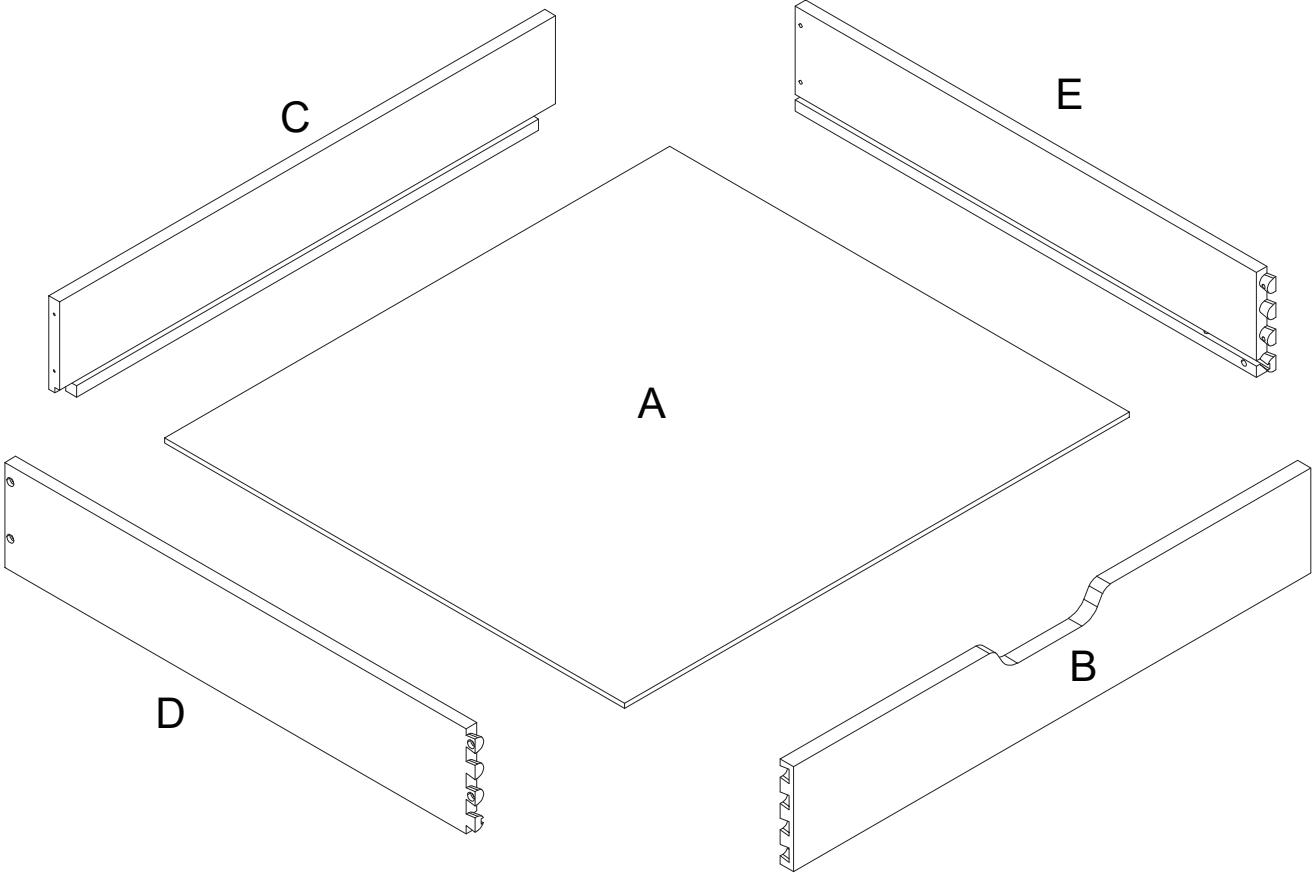

Installation Manual

Storage Organizer

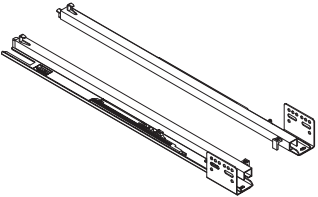

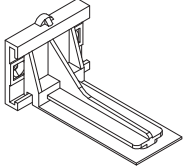
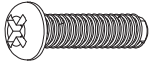
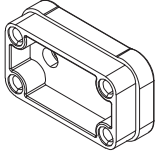

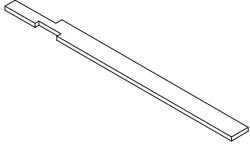
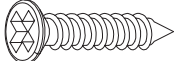


Parts List

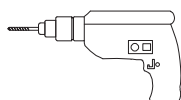


Hardware List

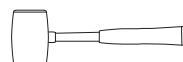
- The instructions are general versions for reference only. The installation methods are basically the same. If you have any doubts, please contact customer service.
- Carefully remove all the parts from the carton and place them individually on a soft cloth to prevent scratches or other damage.
- Carefully and strictly follow these assembly&installation instructions to ensure a completed product as designed.
- Do not tighten all the screws until each part is properly assembled.

Number	Parts	Quantity	Number	Parts	Quantity
F	 Slide Rail	1 SET	J	 Screw 4*30mm	4 PCS (+2 extra)
G	 Front Plastic Block	2 PCS	K	 Bolt M5*20mm	6 PCS (+2 extra)
H	 Side Plastic Block	2 PCS	L	 Screw 3.5*16mm	12 PCS (+2 extra)
I	 Mounting template	2 PCS	M	 Screw 3*20mm	4 PCS (+2 extra)

TOOLS REQUIRED (not included)



Electric Drill



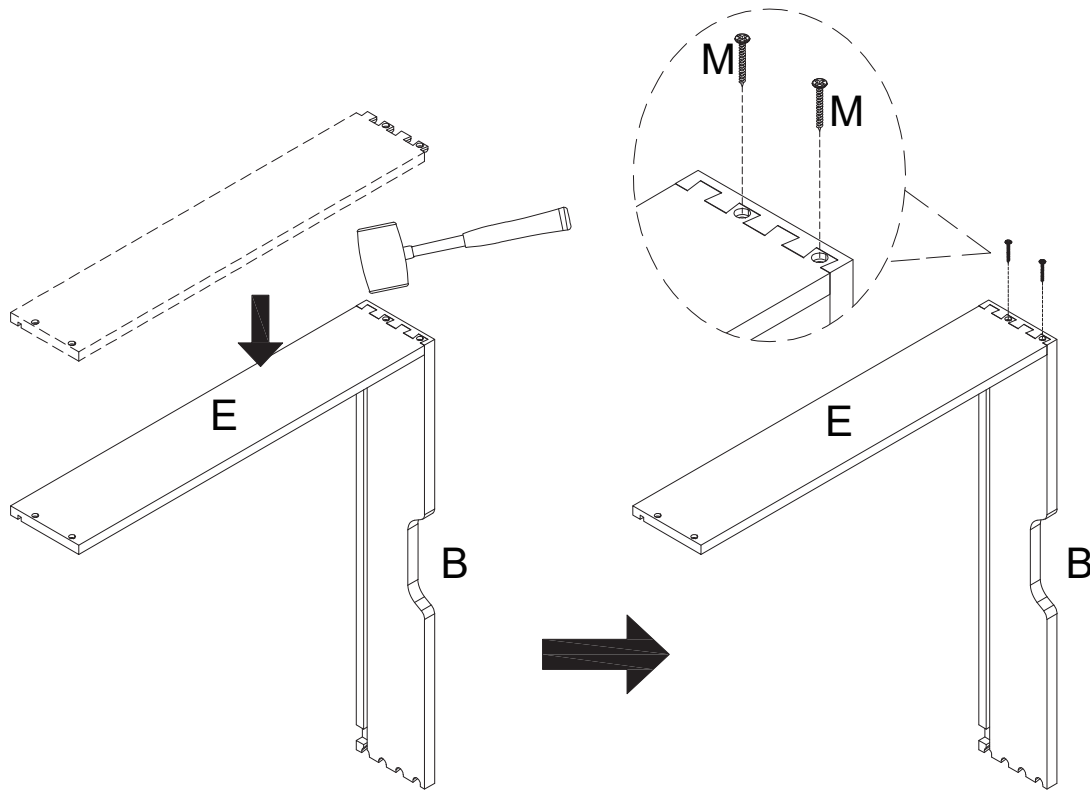
Hammer

Step 1



M x 2

Note: Only use an air hammer to gently strike the fixing to avoid damage to the board.

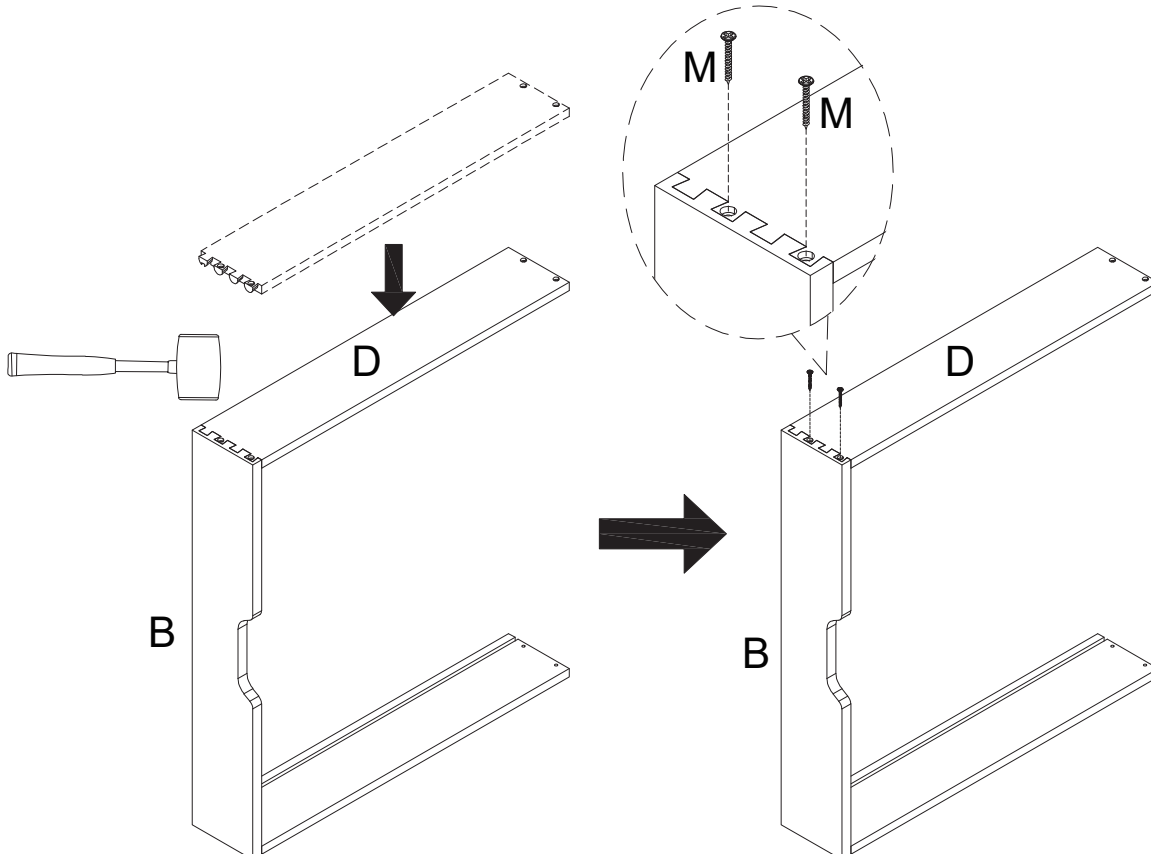


Step 2



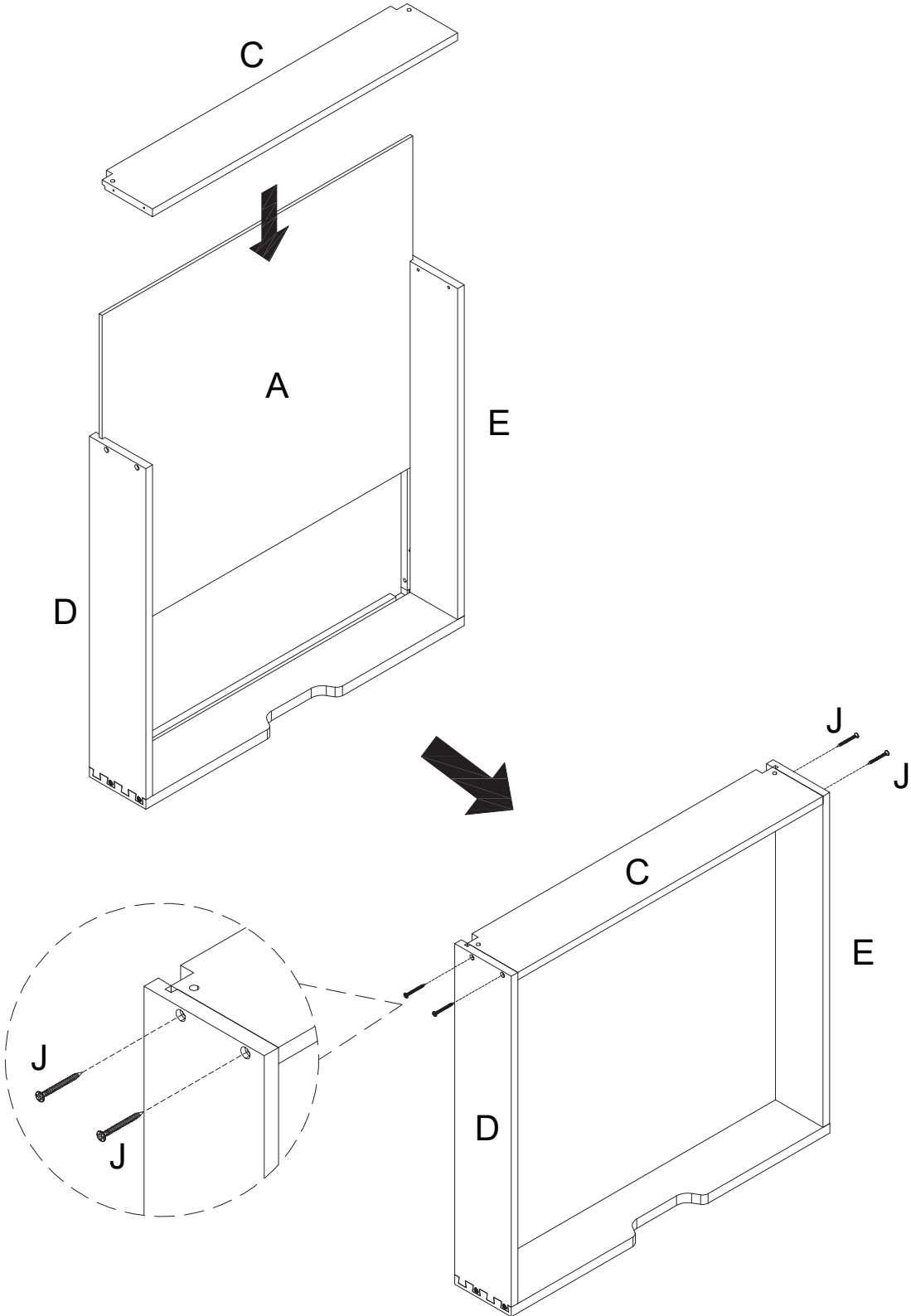
M x 2

Note: Only use an air hammer to gently strike the fixing to avoid damage to the board.

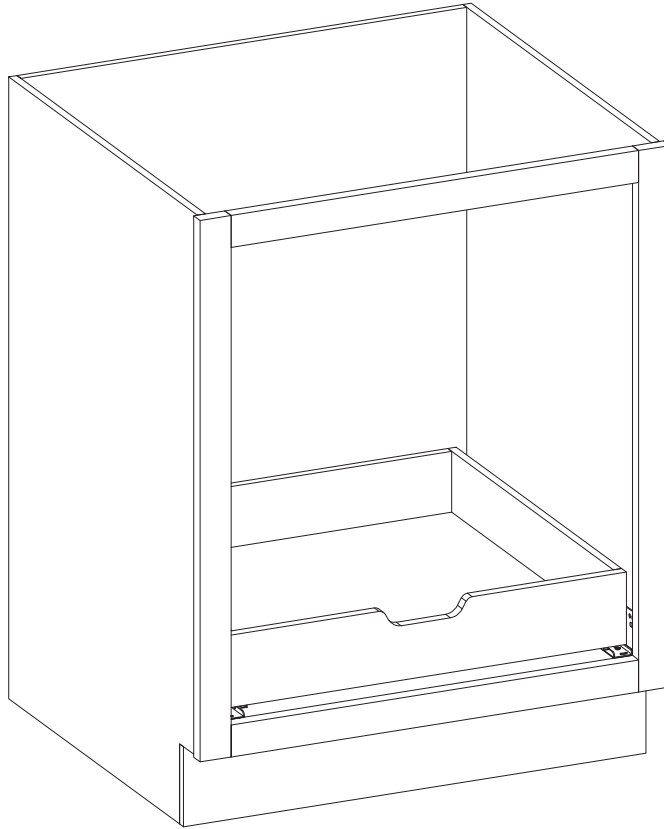


Step 3

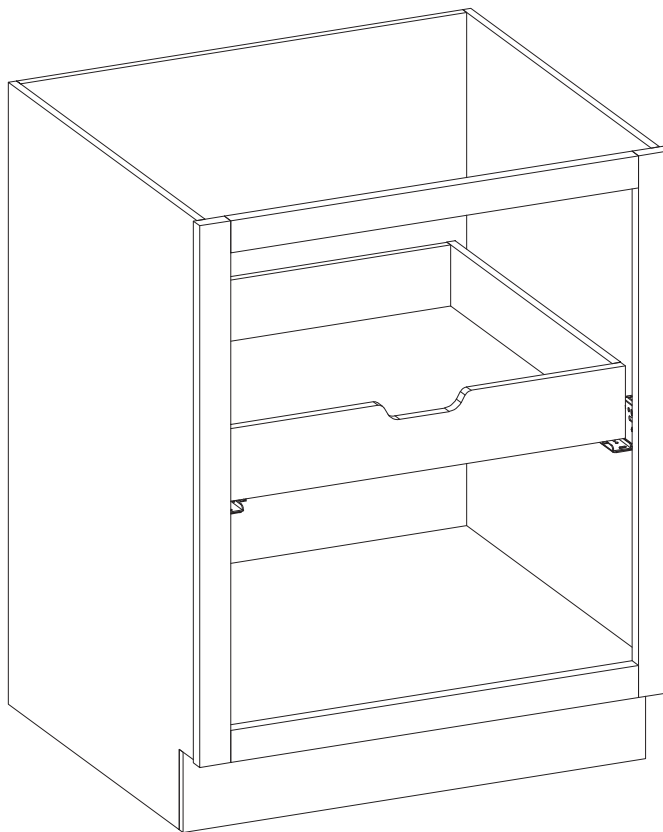
 J x 4



Two Installation Options

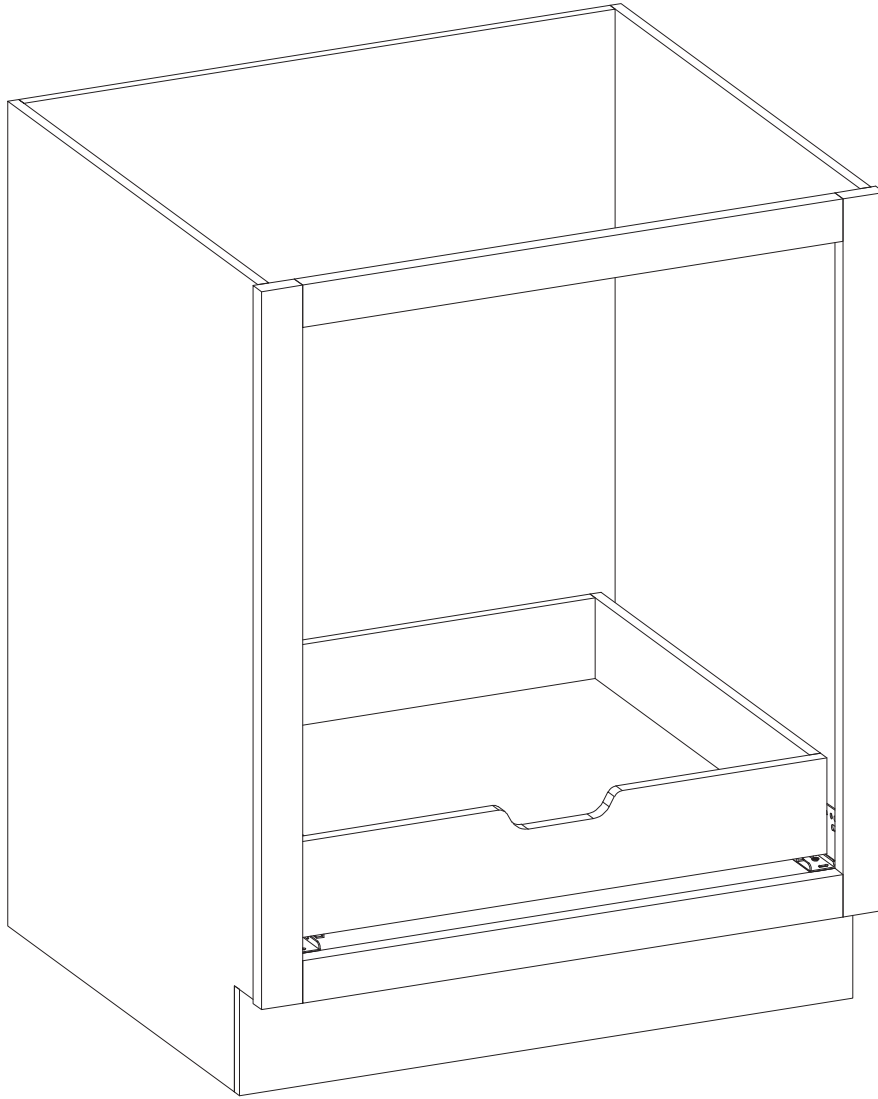


Option A



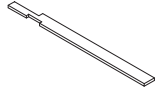
Option B

Option A

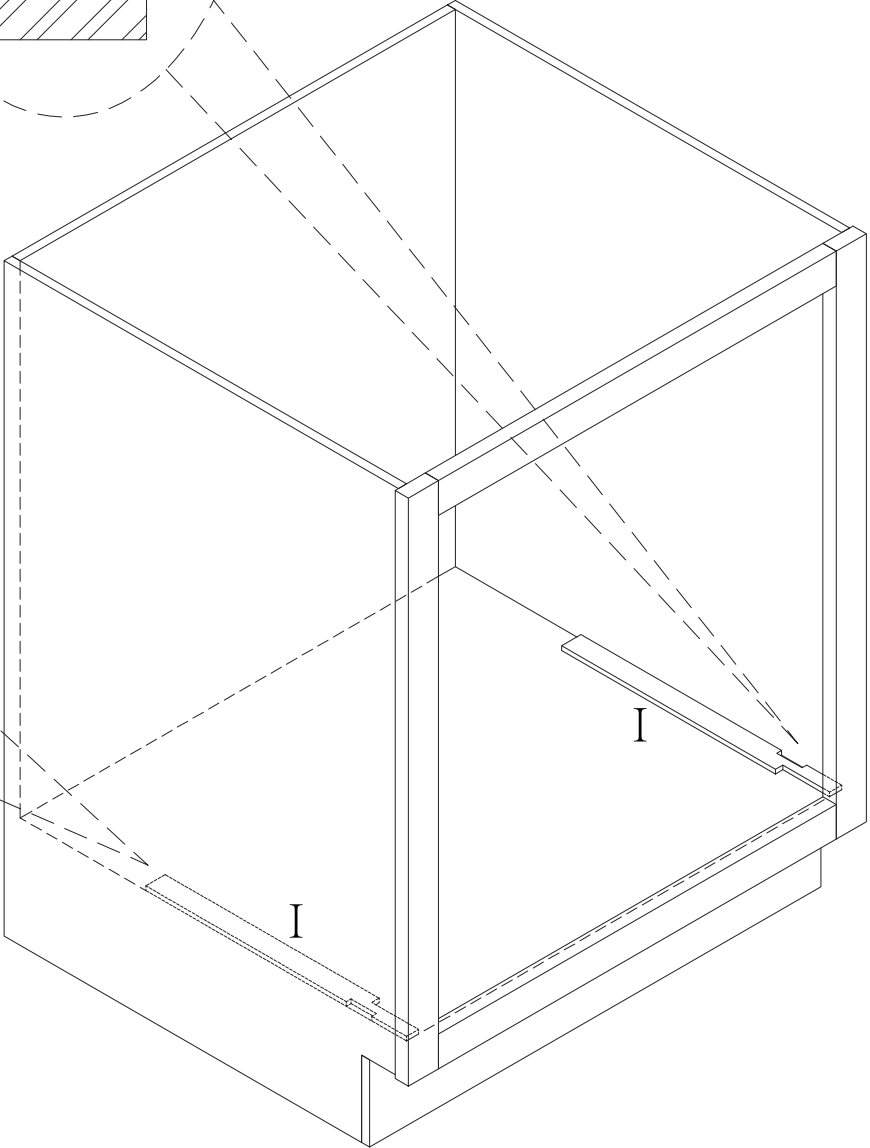
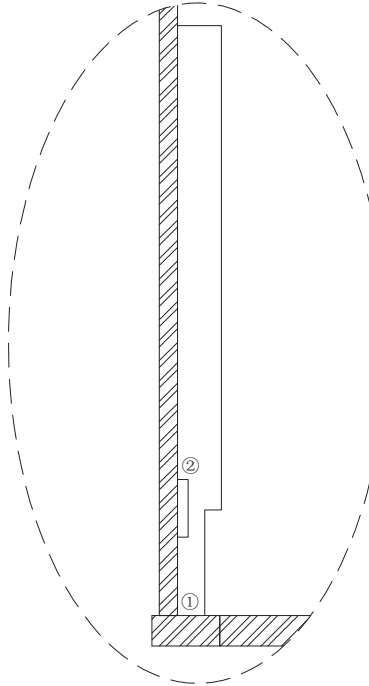
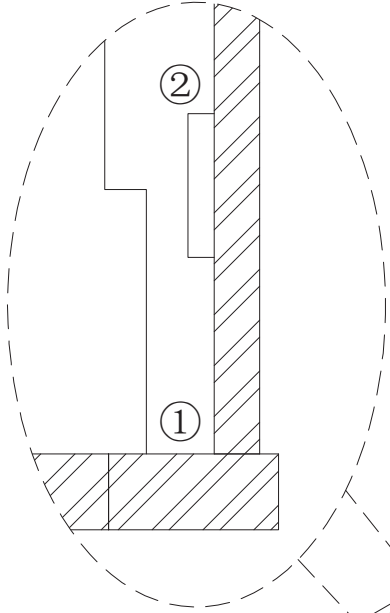


Bottom mounting

Option A (Step 1)

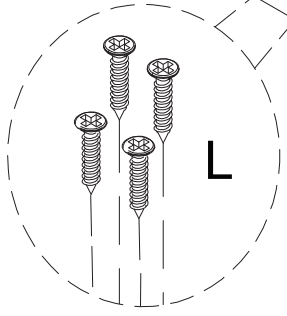
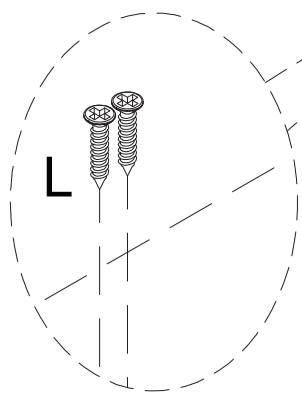
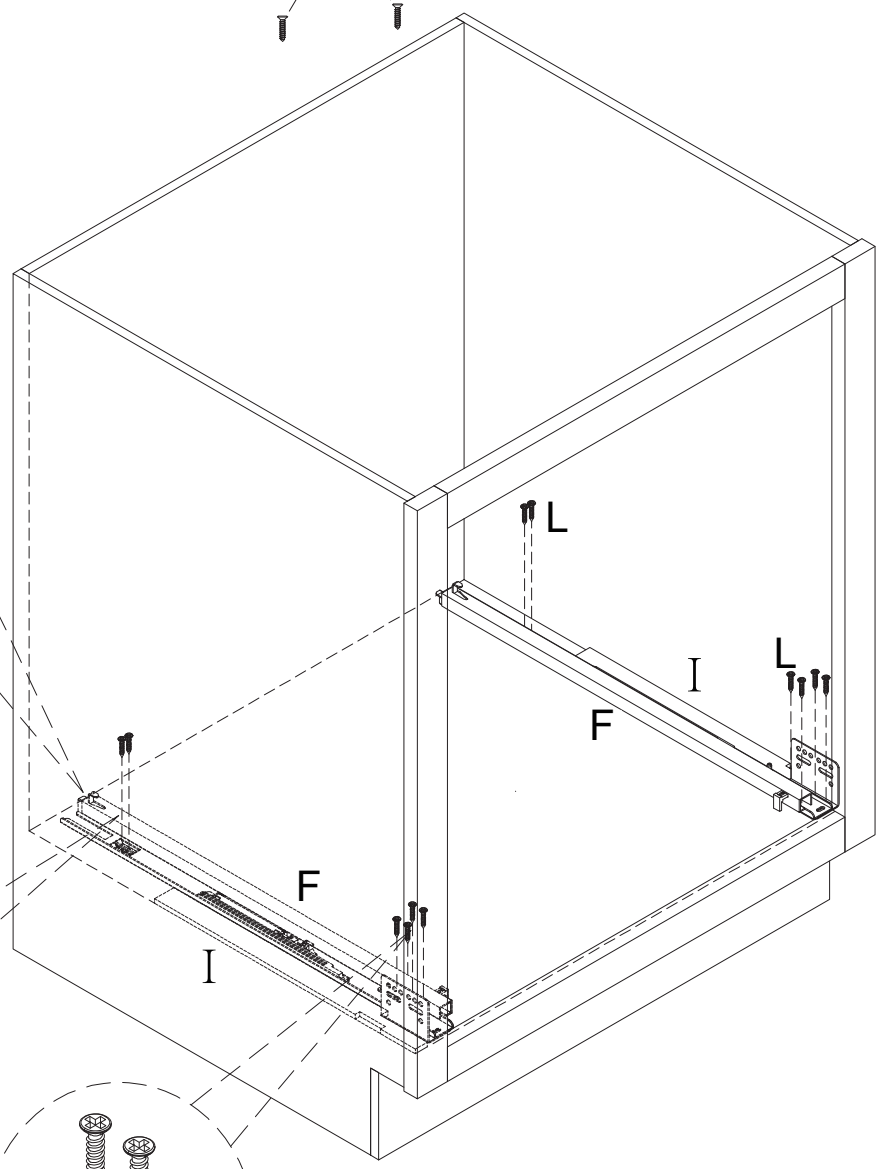
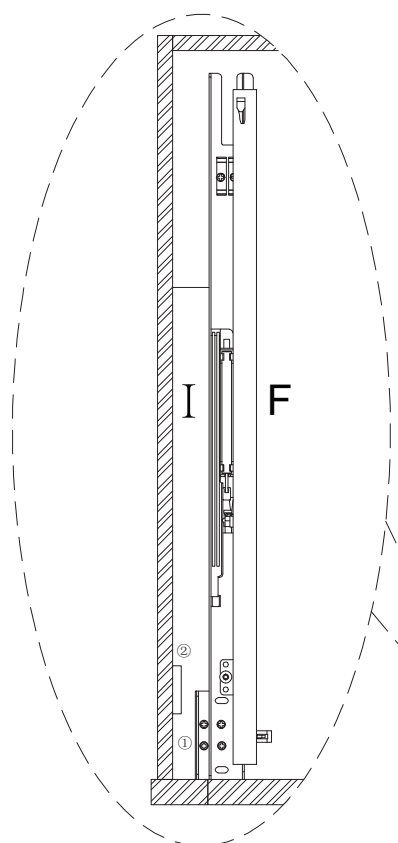
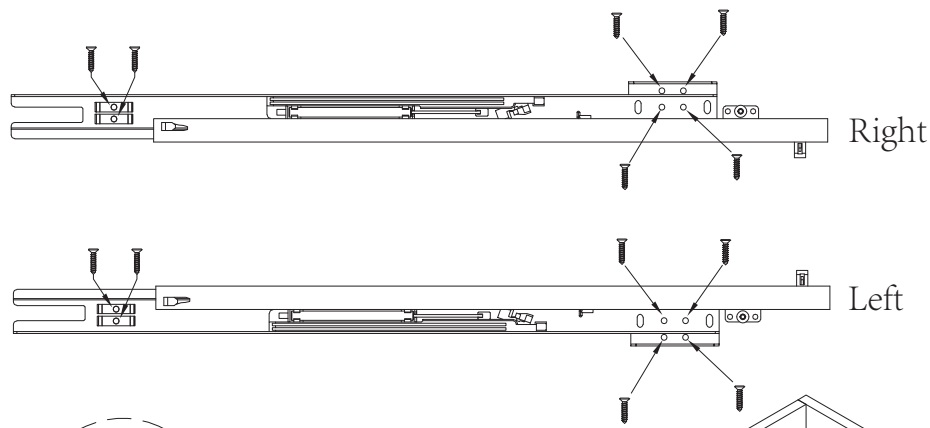


I



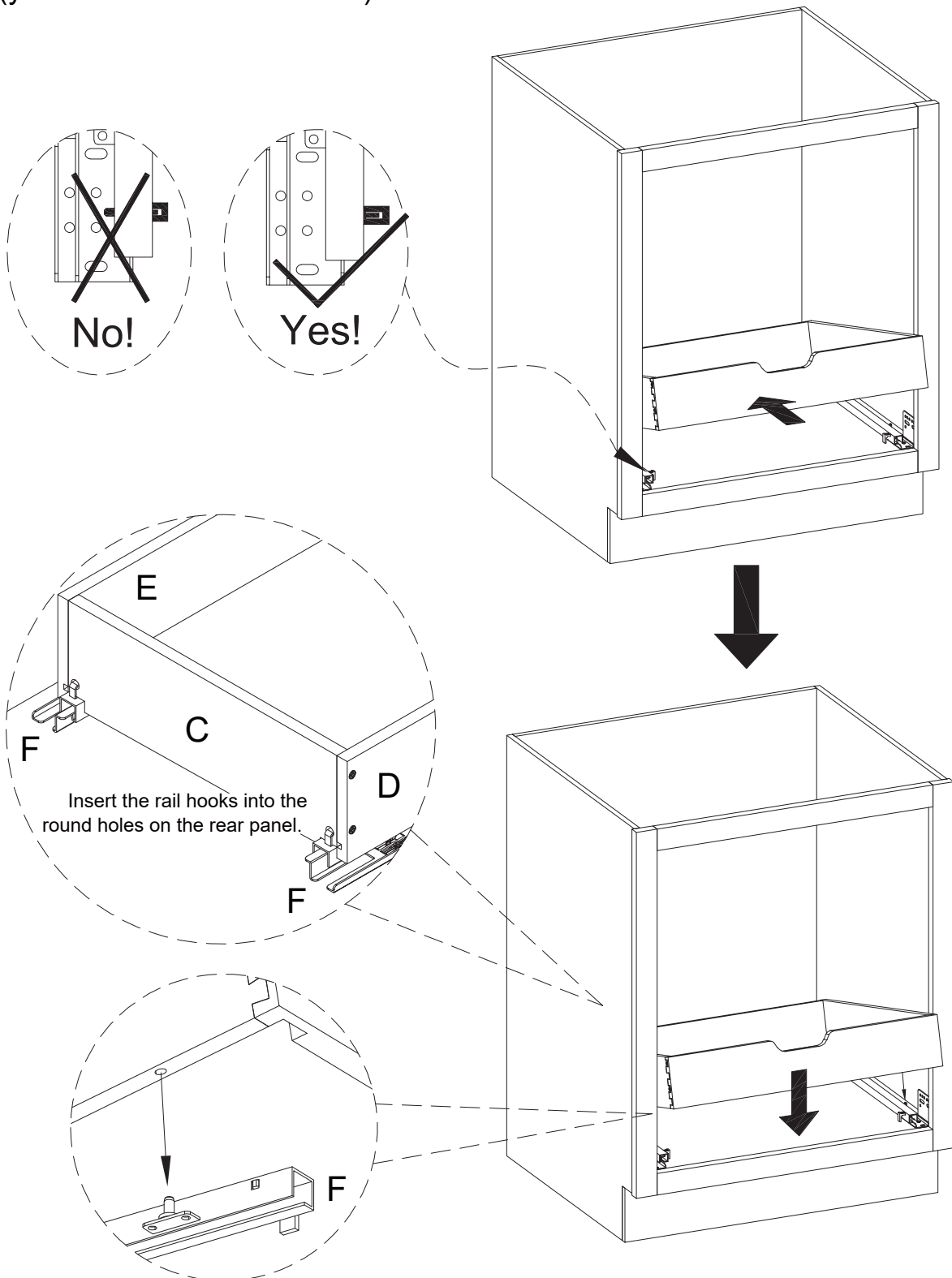
Option A (Step 2)

- F
- I
- L x 12



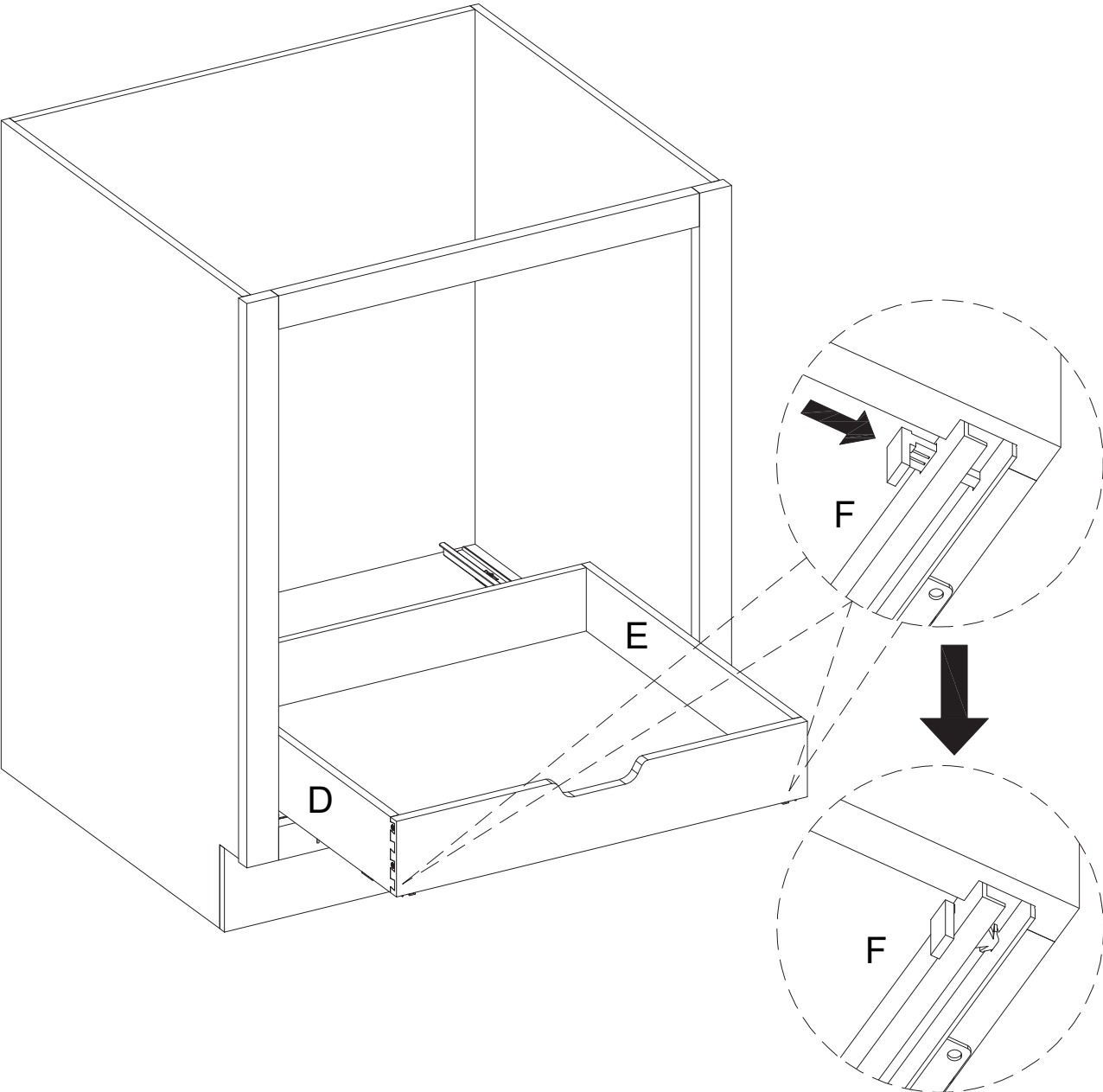
Option A (Step 3)

- There is a small white plastic buckle in the front section of the slide rail, pull it out first, and then place the storage box on the slide rail.
- Place the organizer on the slides and push back until you feel the slides engage the locking devices installed on the bottom board of the wood organizer (you will hear a “click” sound).



Option A (Step 4)

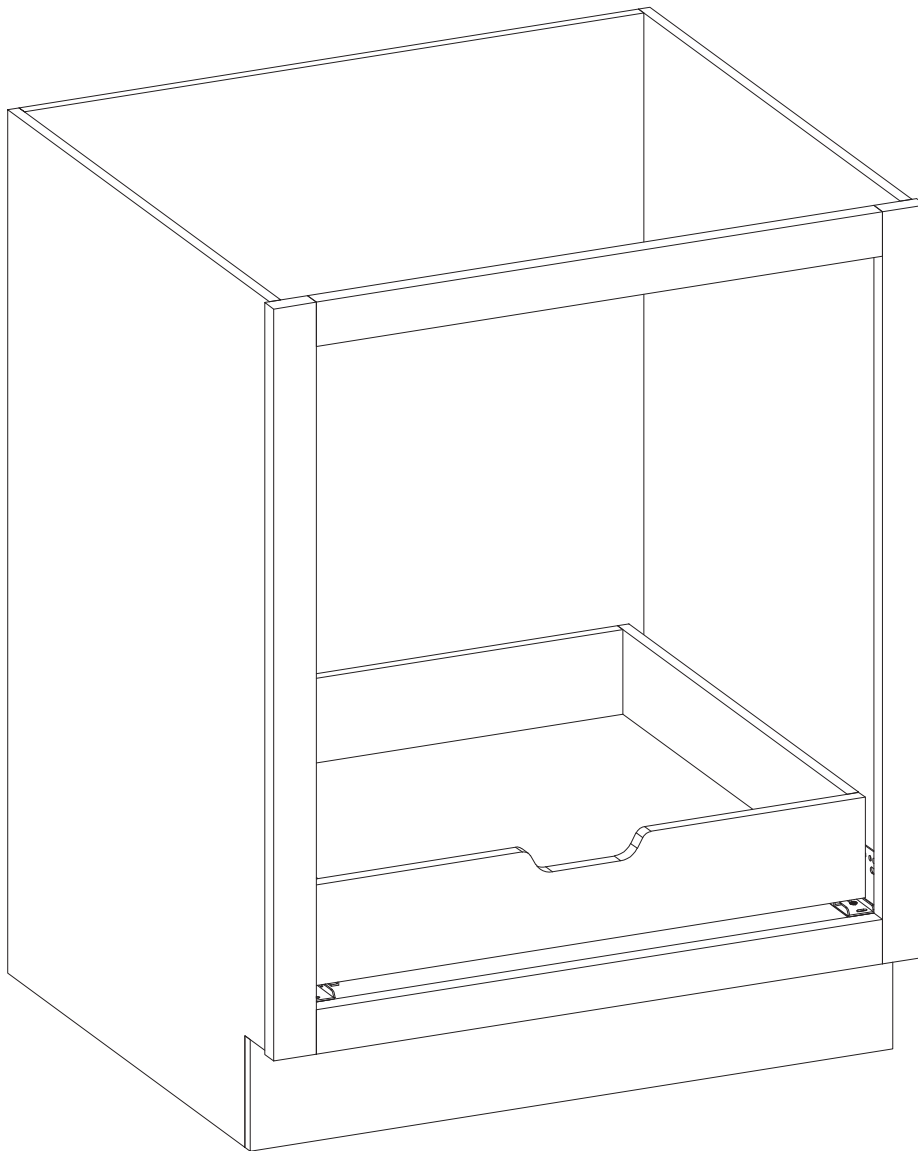
- Push the plastic clasp back into place to hold the box in place.



Option A (Step 5)

- Pull the pull-out unit back out and into the cabinet several times to check whether it can realize the function of smooth soft-close.

Note: If the pull out unit is too tight or too loose, loosen the screws in the cabinet rails to make the rail position adjustments, then re-tighten the screws.

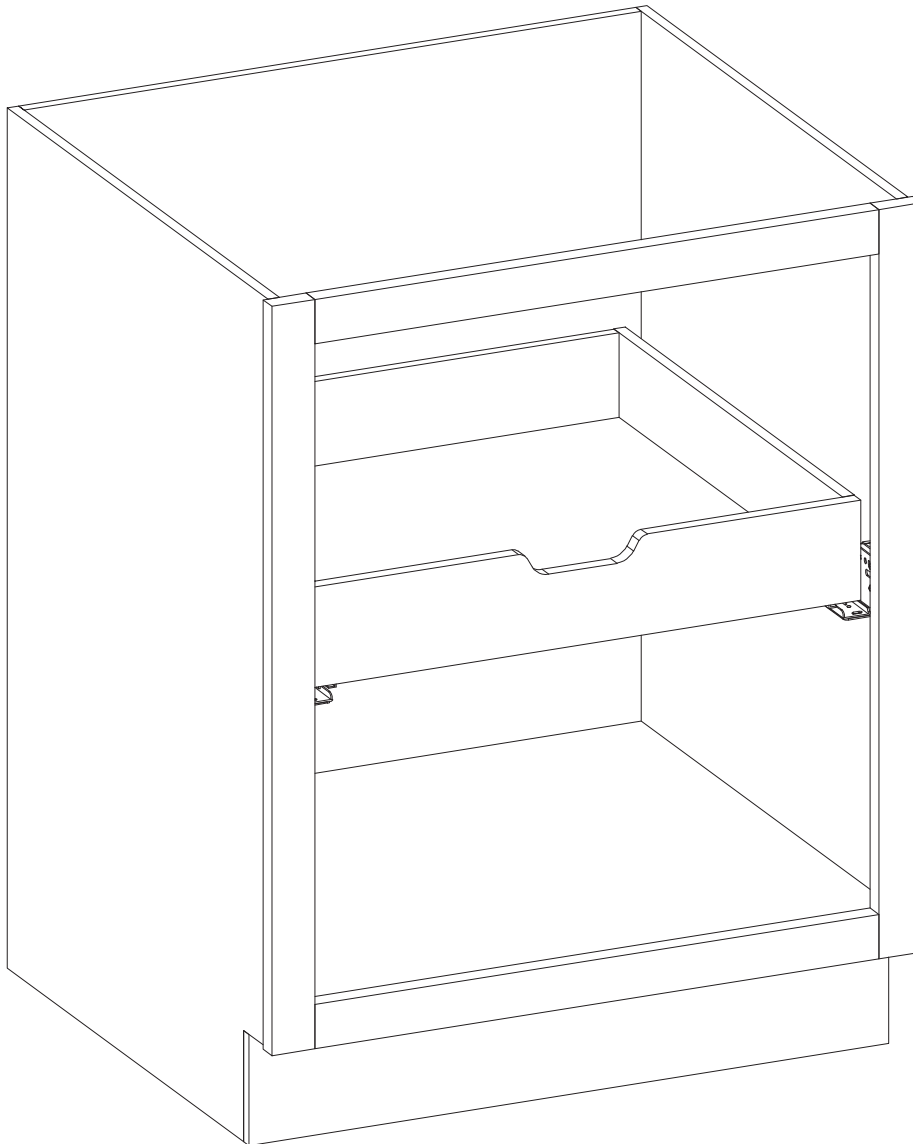


Final Assembly
(Option A)

Option B

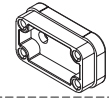
NOTE:

- Next we will use the "Mounting Template" to show how the side mounting.
- You can also cut the "Mounting Template" shorter if you need a shorter height.
- If you need to install at a higher height than our "Mounting Template", you can use a gradienter and ruler to assist in marking the mounting location for installation!

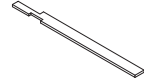


Side mounting

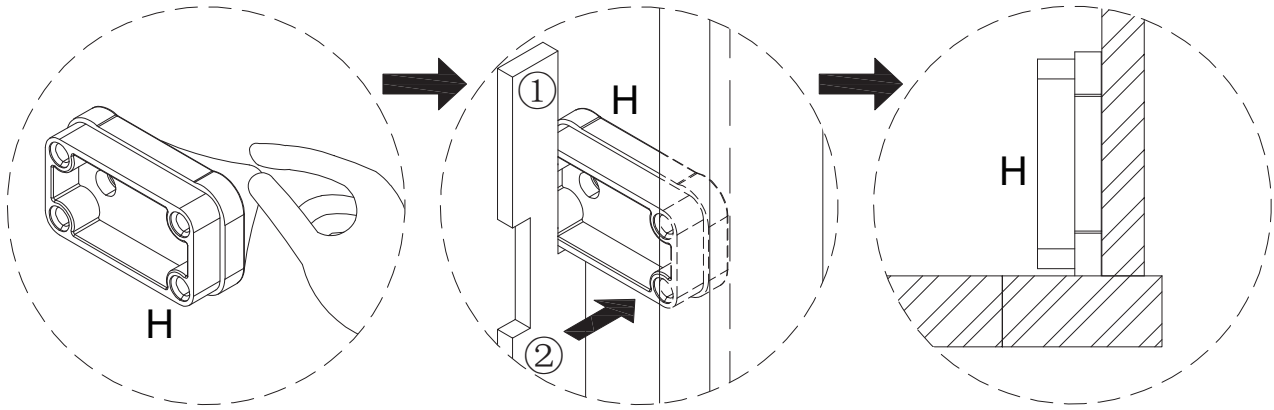
Option B (Step 1)



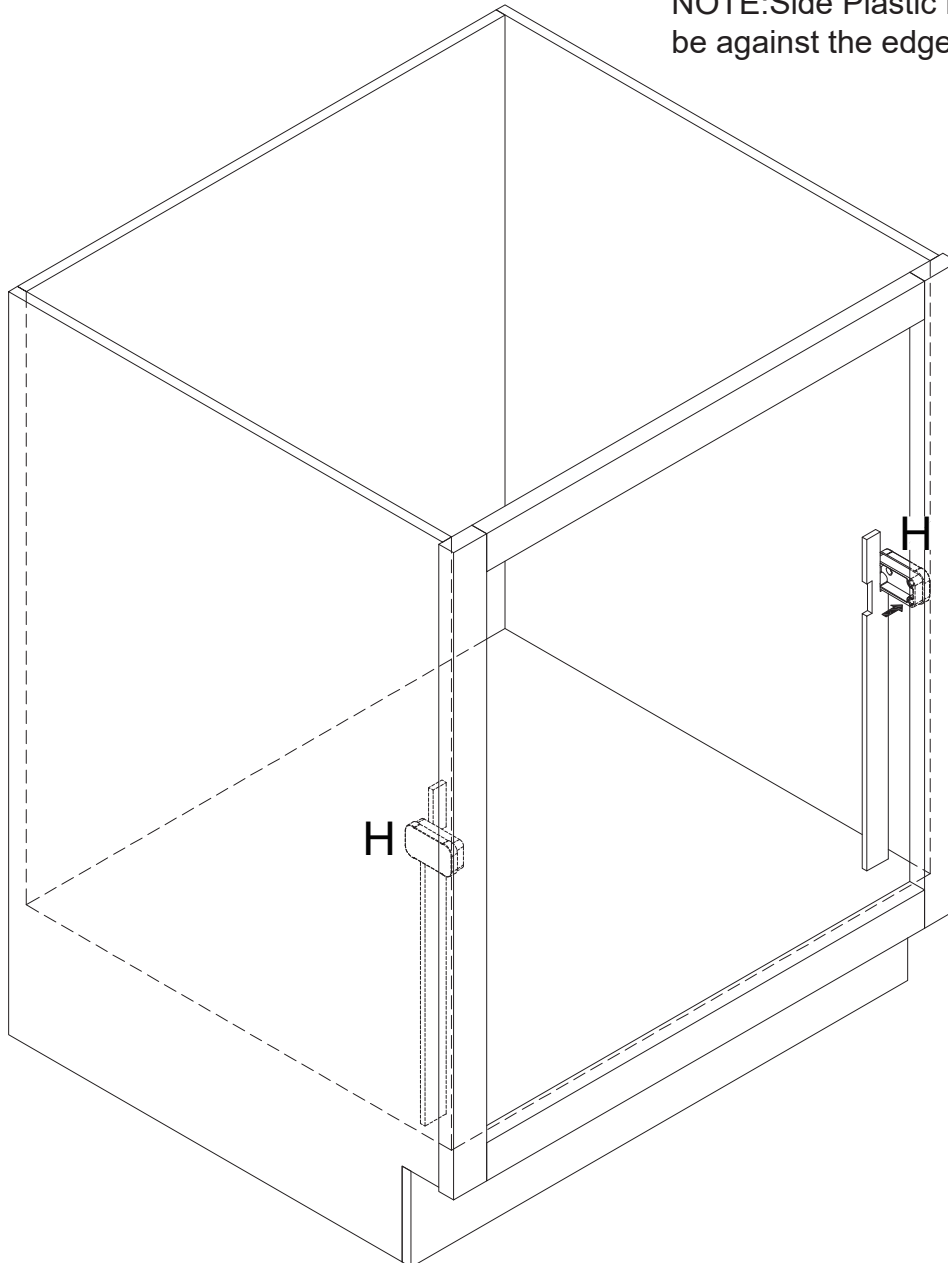
H x 2



I



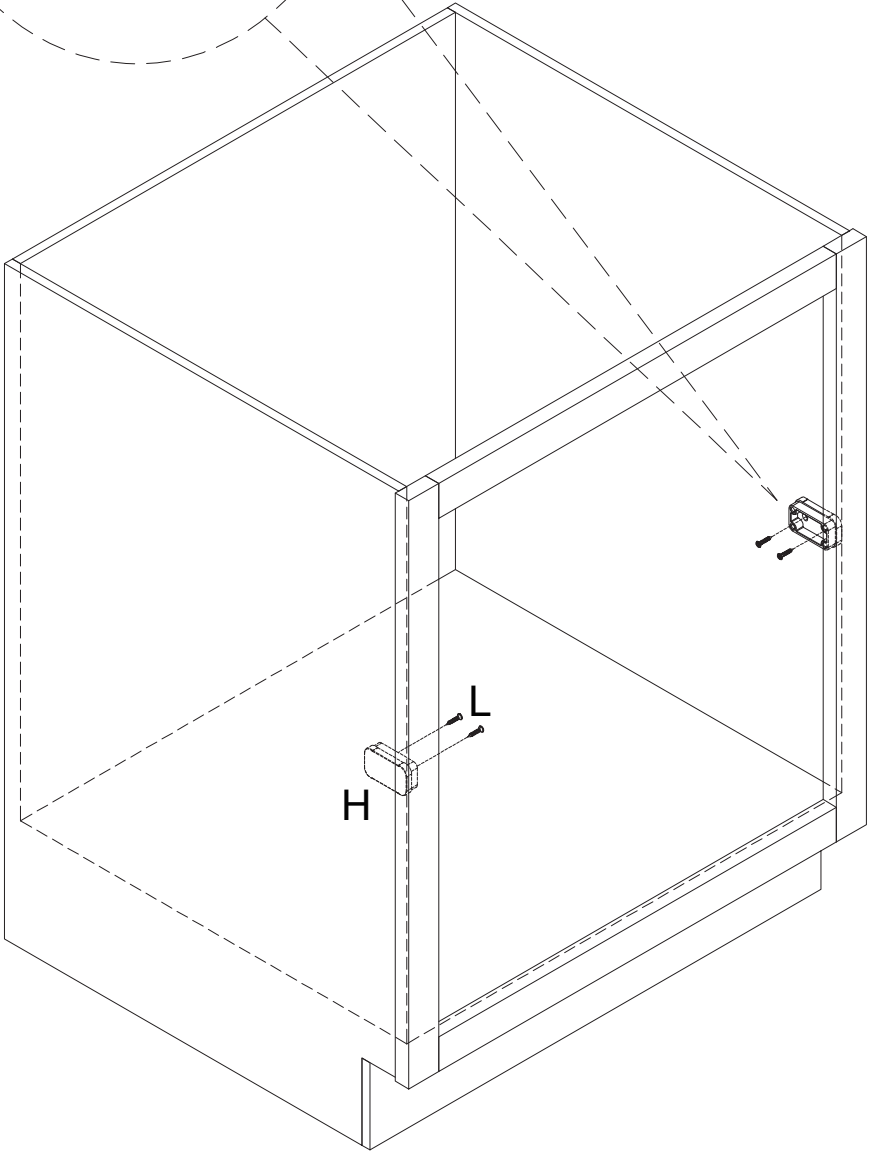
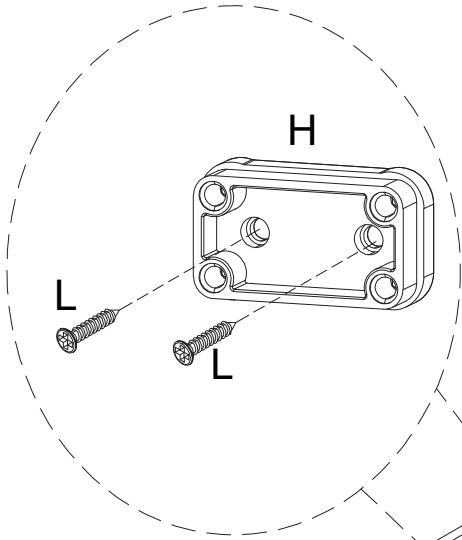
NOTE: Side Plastic Block need to be against the edge of the cabinet.



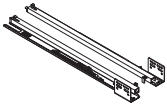
Option B (Step 2)



L x 4



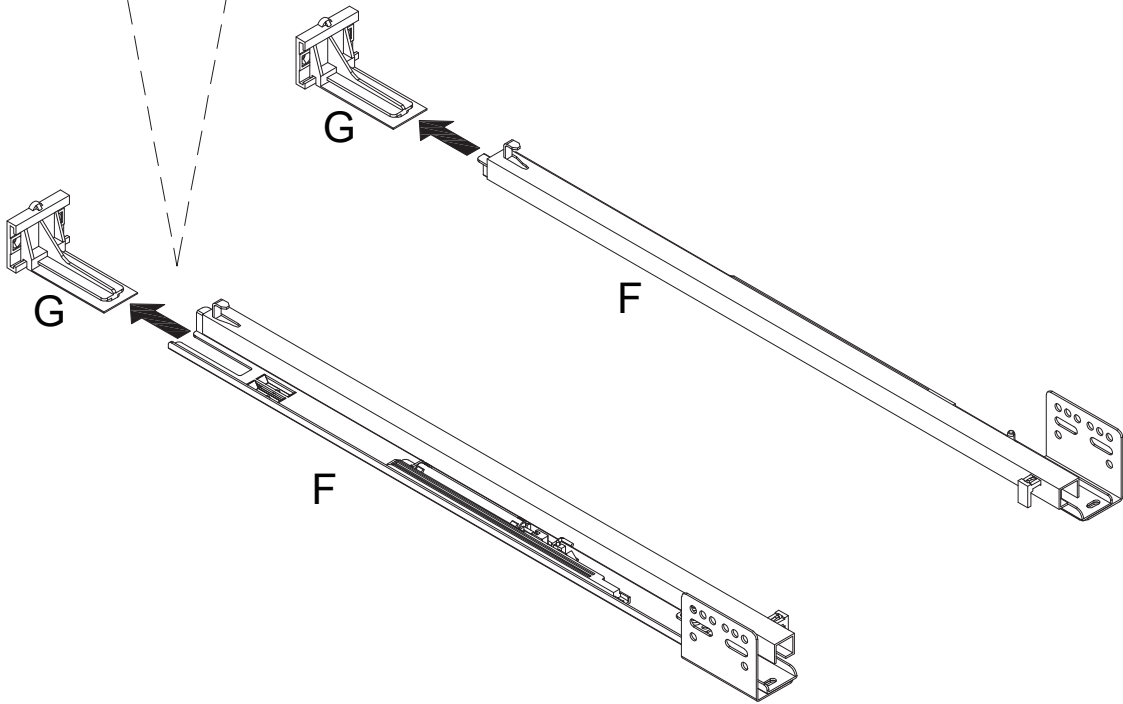
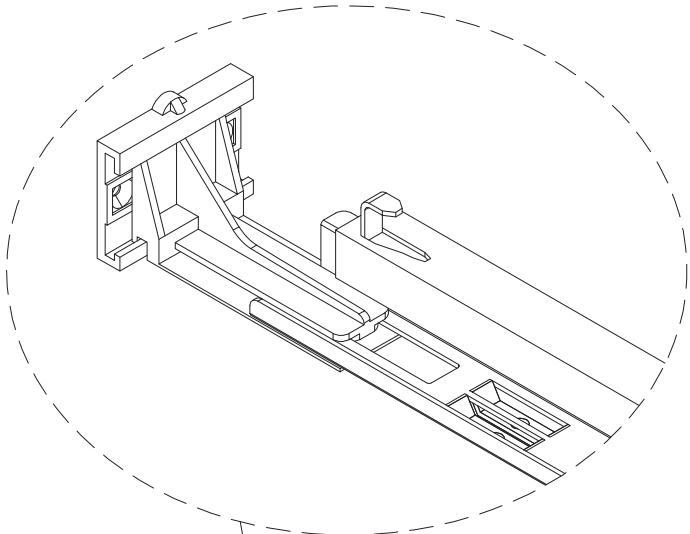
Option B (Step 3)



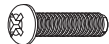
F



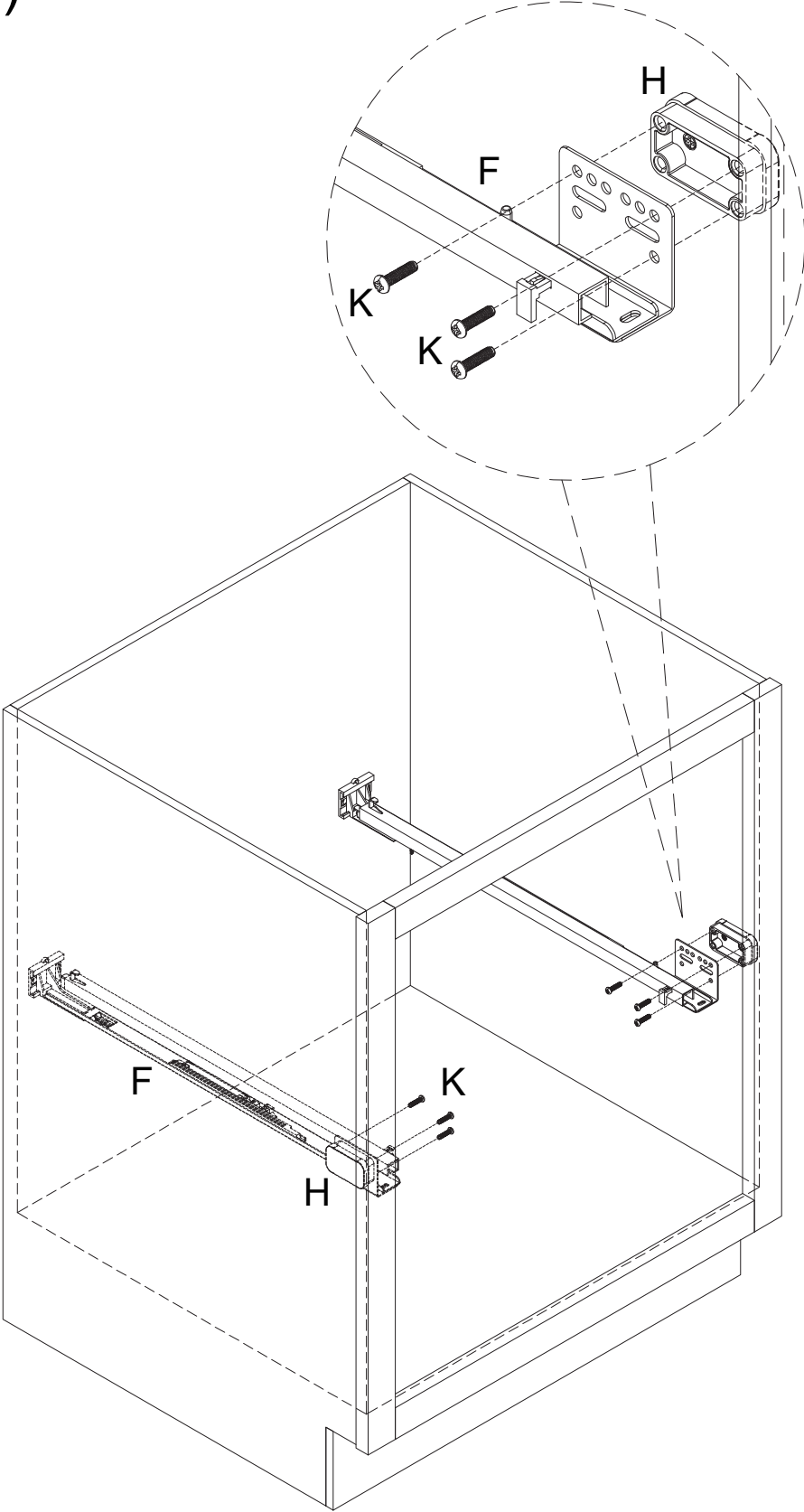
G x 2



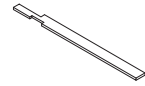
Option B (Step 4)



K x 6



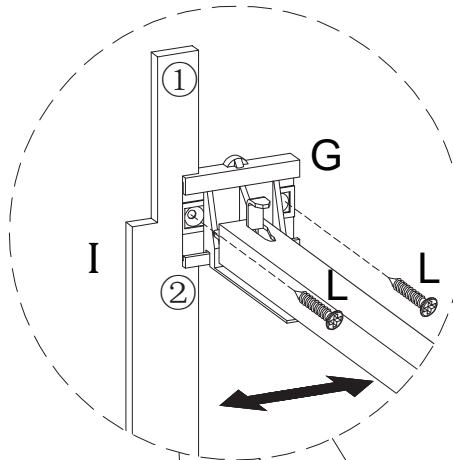
Option B (Step 5)



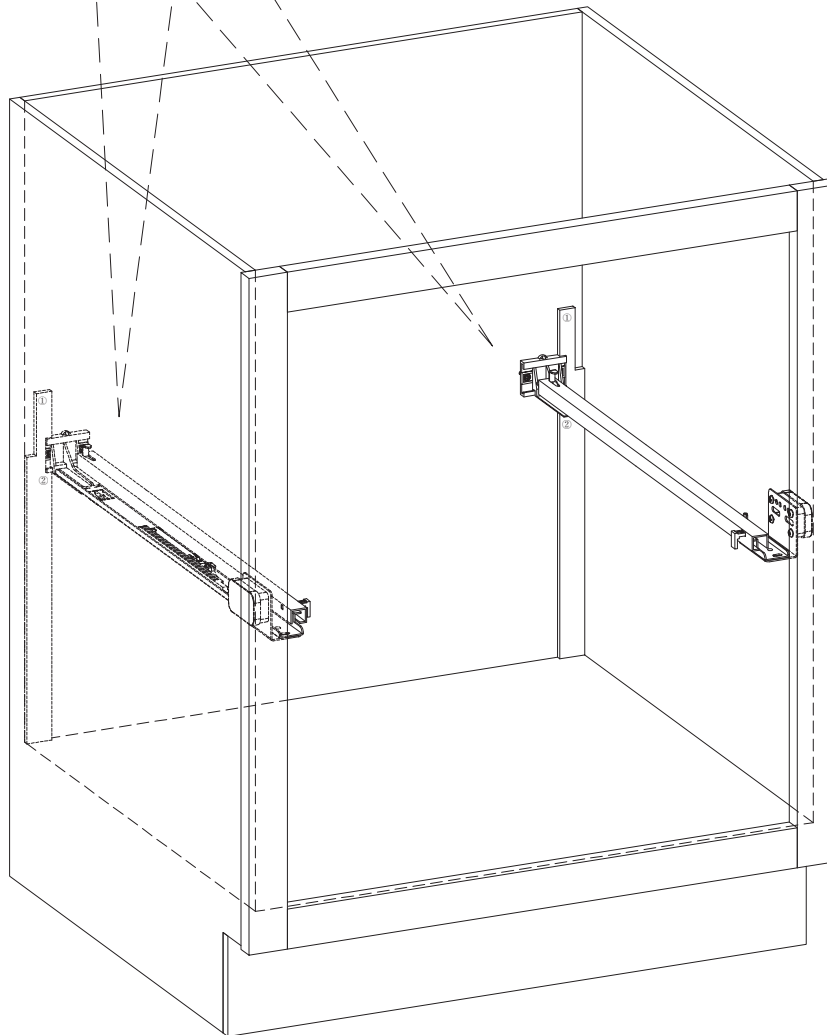
I



L x 4

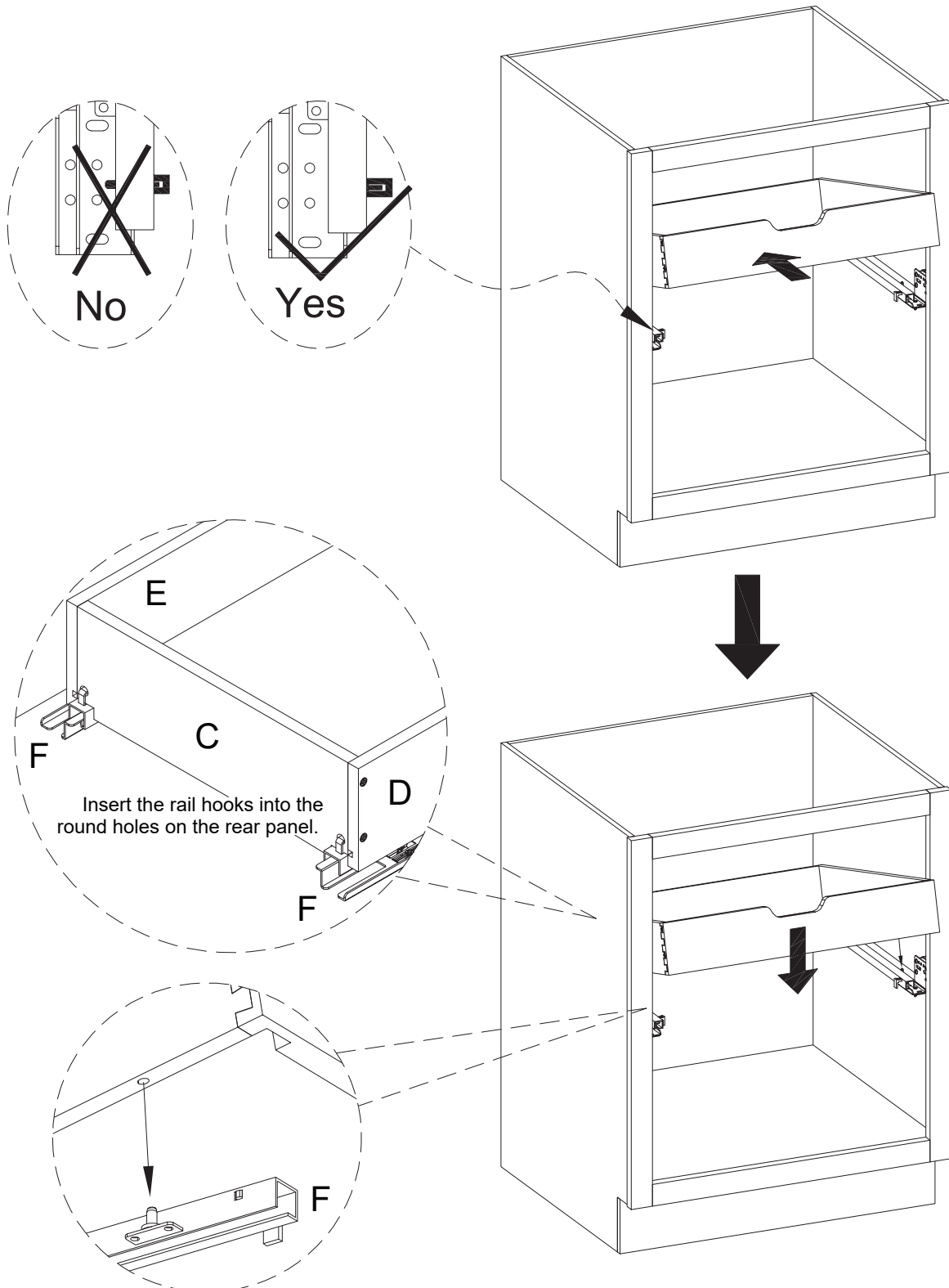


This place can be moved from side to side. After locking one screw, you can move the slider to the other side, and then lock the second screw.



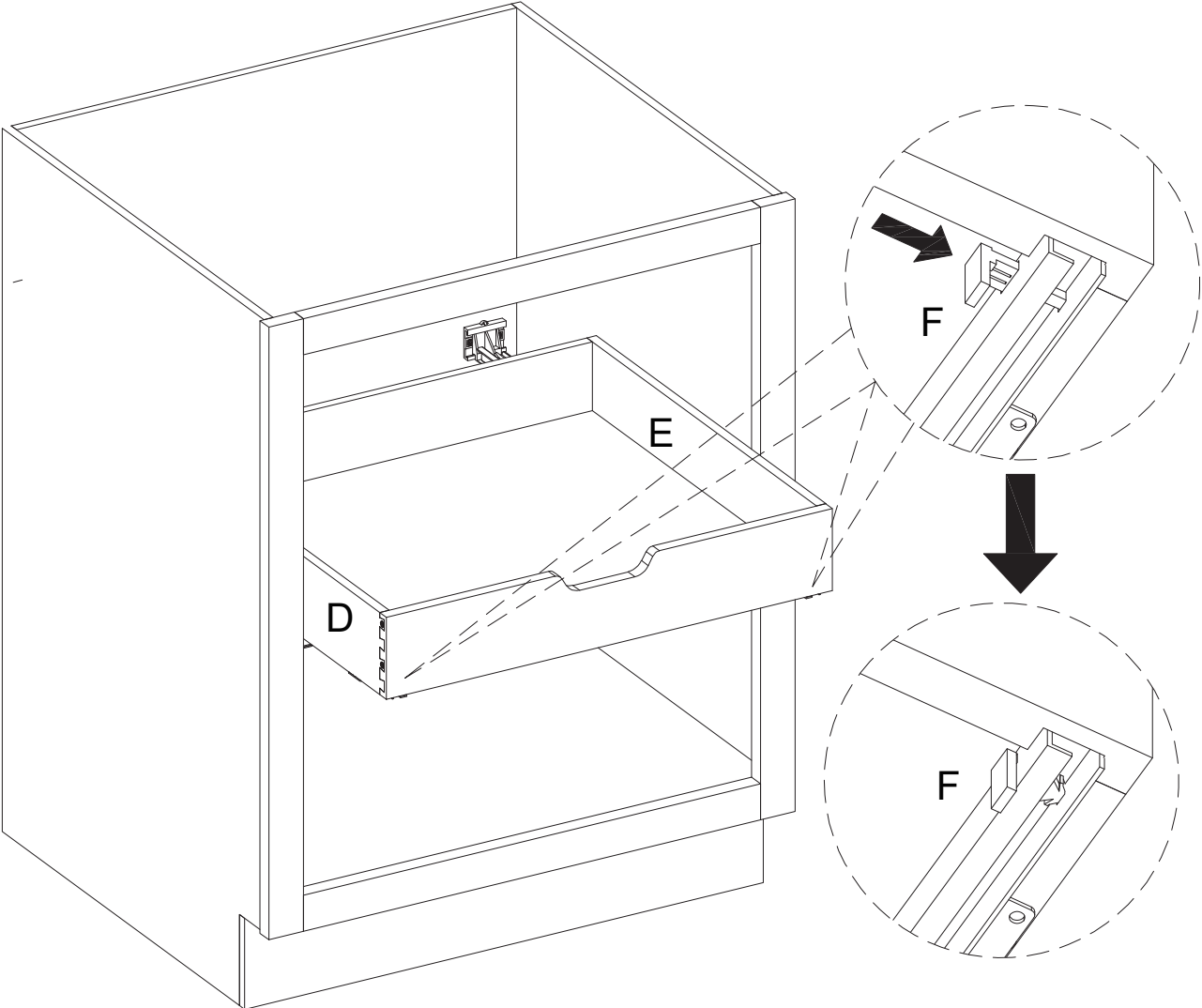
Option B (Step 6)

- There is a small white plastic buckle in the front section of the slide rail, pull it out first, and then place the storage box on the slide rail.
- Place the organizer on the slides and push back until you feel the slides engage the locking devices installed on the bottom board of the wood organizer (you will hear a “click” sound).



Option B (Step 7)

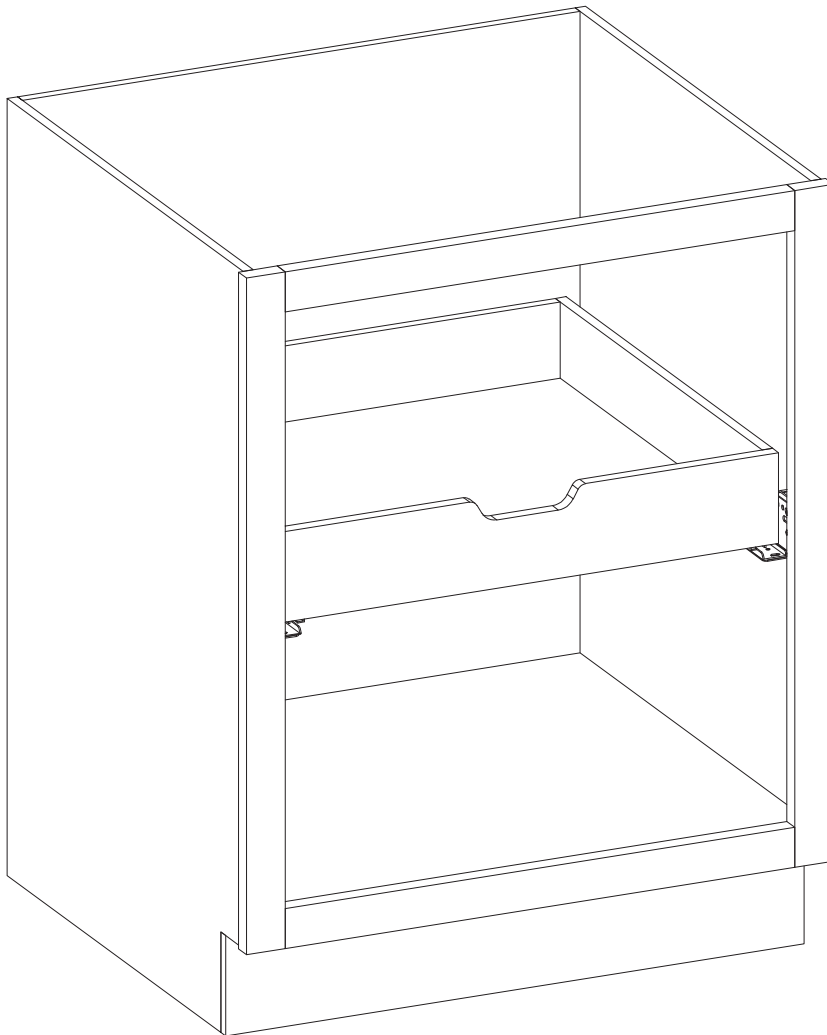
- Push the plastic clasp back into place to hold the box in place.



Option B (Step 8)

- Pull the pull-out unit back out and into the cabinet several times to check whether it can realize the function of smooth soft-close.

Note: If the pull out unit is too tight or too loose, loosen the screws in the cabinet rails to make the rail position adjustments, then re-tighten the screws.



Final Assembly
(Option B)

AFTER-SALES SERVICE CARD

We sincerely thank you for trusting our service and our products, and may this product add enrichment to your home. We guarantee that the product has undergone strict quality inspection and meticulous packaging. If you encounter any issue regarding either shipping or the product, please feel free to contact us at any time. We'd be more than happy to serve you wholeheartedly.

Yours Sincerely

- Please avoid harsh, corrosive and abrasive cleaners.

If you have any questions or concerns please feel free to contact us. We're committed to providing our customers with the quality service.